



Cisco N-type Lightning Arrestor

Last Updated: October 2022
Part Number: OL-26300-02

This document describes the Cisco Lightning Arrestor (CGR-LA-NM-NF, CGR-LA-NF-NF) and provides instructions for mounting.

This document covers the following topics:

- [Introduction, page 1](#)
- [Kit Contents, page 2](#)
- [Technical Specifications, page 2](#)
- [Warnings, page 3](#)
- [Installation Considerations, page 4](#)
- [Installing the Lightning Arrestor, page 4](#)
- [Tell Us What You Think, page 6](#)

Introduction

The Cisco Lightning Arrestor provides a level of safety protection to the user as well as to wireless equipment by shunting to ground over-voltage transients induced into outdoor antennas and cables. These transients, in mild cases can produce interfering signals in a wireless system, and in extreme cases, can be dangerous and destructive.

Overvoltage transients can be created through lightning static discharges, switch processes, direct contact with power lines, or through earth currents. The Cisco Lightning Arrestor limits the amplitude and duration of disturbing interference voltages and improves the overvoltage resistance of in-line equipment, systems, and components.

The Lightning Arrestor also provides the following benefits:

- Broadband operation
- DC continuity for outdoor powering



Americas Headquarters:
Cisco Systems, Inc., 170 West Tasman Drive, San Jose, CA 95134-1706 USA

- Bidirectional installation
- Permanently installed gas capsule

Kit Contents

The lightning arrester (CGR-LA-NM-NF, CGR-LA-NF-NF) contains the following parts:

- Lightning arrester, nut, and washer
- Grounding lug

Technical Specifications

The following are the technical specifications of the Lightning Arrester:

Table 1 Feature Information for the Lightning Arrester

Feature	Description
Arrester Type	Gas discharge tube
Main path connectors	Port 1: <ul style="list-style-type: none"> • CGR-LA-NM-NF: protected, N (male) • CGR-LA-NF-NF: protected, N (female) Port 2: protected, N (female, bulkhead side)
Impedance	50 ohms
Frequency range	0 MHz to 7000 MHz
Return loss	<ul style="list-style-type: none"> • 0 to 6700 MHz: -20 dB max • 6700 to 7000 MHz: -17 dB max
Insertion loss	<ul style="list-style-type: none"> • 0 to 6700 MHz: 0.2 dB max • 6700 to 7000 MHz: 0.3 dB max
RF CW power	Less than or equal to 60 W
Surge current handling capability	10 single, multiple kA (test pulse 8/20 microseconds)
Residual pulse energy	250 microsecond typically (test pulse 4 kV 1.2/50 microsecond; 2kA 8/20 microsecond), main path (protected side)
Operating temperature range	-40-degrees F to 185-degrees F (-40-degrees C to 85-degrees C)
Waterproof rating	IP 67 (according to IEC 60529, data refer to the coupled state)
Mounting and grounding	MH24 (bulkhead)
Material	<ul style="list-style-type: none"> • Housing: white bronze-plated aluminum • Male center contact: silver-plated brass • Female center contact: silver-plated phosphor bronze

Warnings



Warning

This warning symbol means danger. You are in a situation that could cause bodily injury. Before you work on any equipment, be aware of the hazards involved with electrical circuitry and be familiar with standard practices for preventing accidents. Use the statement number provided at the end of each warning to locate its translation in the translated safety warnings that accompanied this device.
Statement 1071

SAVE THESE INSTRUCTIONS



Warning

Do not work on the system or connect or disconnect cables during periods of lightning activity.
Statement 1001



Warning

This equipment must be grounded. Never defeat the ground conductor or operate the equipment in the absence of a suitably installed ground conductor. Contact the appropriate electrical inspection authority or an electrician if you are uncertain that suitable grounding is available. Statement 1024



Warning

Only trained and qualified personnel should be allowed to install, replace, or service this equipment.
Statement 1030

Installation Considerations

We recommend that you bulkhead mount the lightning arrestor onto the router.

The importance of obtaining a good ground and bonding connection cannot be overstressed. Consider these points when grounding the lightning arrestor:

- Connect the lightning arrestor components directly to the chassis-mounted bulkhead connector.
- The contact points between the bulkhead connector and the lightning arrestor must be clean and free of dust and moisture.
- Tighten threaded contacts to the torque specified by the manufacturer.

Installing the Lightning Arrestor

The Cisco Lightning Arrestor must be bulkhead-mounted onto the enclosure or router chassis. The lightning arrestor must be attached directly onto a well-grounded chassis through the threaded shaft of the lightning arrestor and the bulkhead adapter. See [Figure 1](#).



Note

This part might be factory installed in an antenna port on the router when the router is shipped.



Note

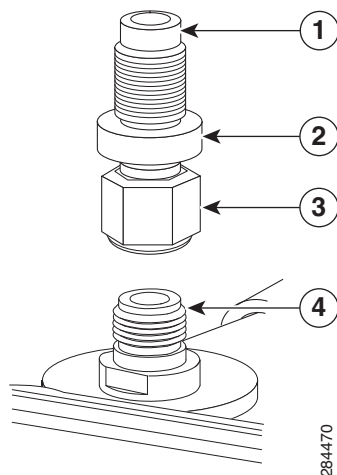
When you install the lightning arrestor, follow the regulations or best practices applicable to lightning protection installation in your local area.



Warning

Installation of the equipment must comply with local and national electrical codes. Statement 1074

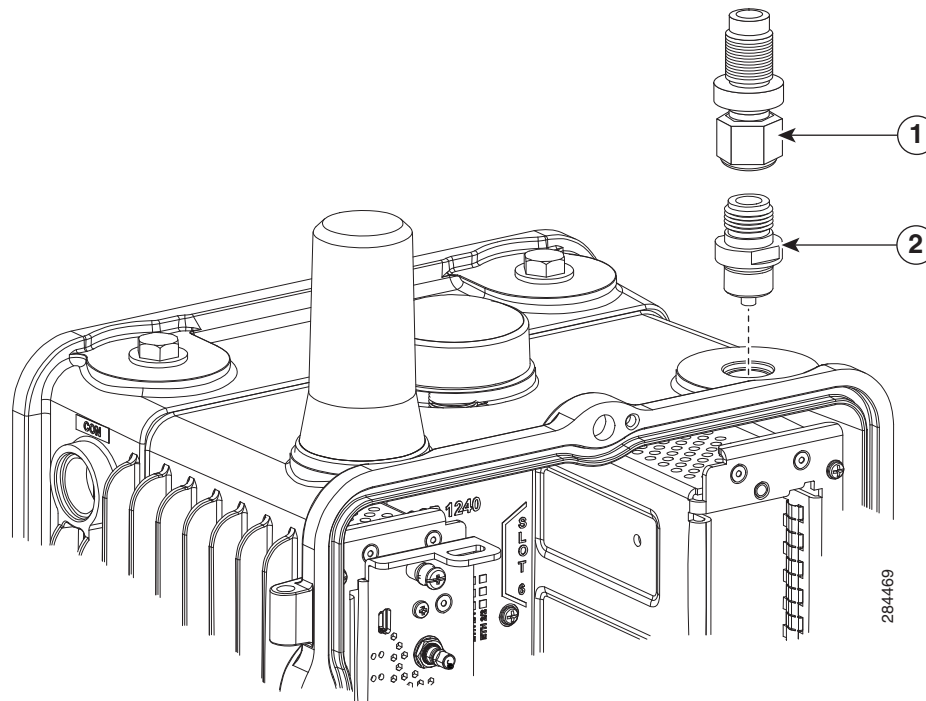
Figure 1 Lightning Arrestor Detail (CGR-LA-NM-NF shown)



1	Protected side N jack (to antenna)	2	Lightning arrestor
3	Protected side N plug (to radio)	4	N-bulkhead port (on host chassis)

To install the lightning arrester:

- Step 1** Install the bulkhead N-connector adapter onto the appropriate antenna port on the router chassis. Tighten to a 6-to-7 ft-lbs torque rating.
- Step 2** Install the N-plug end of the lightning arrester onto the top of the bulkhead N-connector). Tighten to a 6-to-7 ft-lbs torque rating.



1	Lightning arrester	2	N-bulkhead port (on host chassis)
----------	--------------------	----------	-----------------------------------

- Step 3** Install the N-plug end of your antenna cable onto the N-jack of the lightning arrester. Tighten to a 6-to-7 ft-lbs torque rating.

Suggested Cable

We recommend using a 20' LMR-400 N(m)-N(m) low-loss coaxial cable (part numbers CAB-L400-20-N-N) or a 30' LMR-600 N(m)-N(m) very low-loss coaxial cable (CAB-L600-30-N-N).

Tell Us What You Think



Send your feedback about this document directly to the Connected Energy Documentation Team.

[Connected Grid Documentation Feedback Form](#)

Any Internet Protocol (IP) addresses and phone numbers used in this document are not intended to be actual addresses and phone numbers. Any examples, command display output, network topology diagrams, and other figures included in the document are shown for illustrative purposes only. Any use of actual IP addresses or phone numbers in illustrative content is unintentional and coincidental.

© 2012-2022 Cisco Systems, Inc. All rights reserved.