



Cisco CGR 2010 Router Terminal Cover Installation Notes

First Published: December, 2011

Part Number: OL-26291-01

The contents of the Cisco CGR 2010 Terminal Cover Installation Kit includes the following hardware items:

- Protective terminal input cover (1)
- Protective cover bracket (1)
- Screws (2) (P/N: 48-1076-01)

Introduction

This kit is designed to allow for a broader list of acceptable environments for installation of the Cisco CGR 2010. Local regulations might require the CGR 2010 Router to have protective covers installed over its input power terminals. Installing the Cisco CGR 2010 Router Terminal Cover Installation Accessory Kit allows the CGR 2010 Router to meet these regulations.



Note

In the United States, an exemption is described in article 90 of the National Electrical Code stating that a protective cover is not required in substation structures.

If the CGR 2010 is installed in a site which meets all local and country regulations and all documented installation requirements, but is not entitled to an exemption from requiring protective covers over its power input terminals based on local regulations, then this field-installable kit can be installed to meet those regulations.

All CGR 2010 units shipped after June 21, 2011 includes the CGR 2010 Router Accessory Kit.

For any systems shipped before the enhancement was implemented, a field installable cover can be obtained by ordering the following SKU: CGR-PWR-RETRO



Americas Headquarters:
Cisco Systems, Inc., 170 West Tasman Drive, San Jose, CA 95134-1706 USA

Before You Begin

Before you begin, attach a wrist strap. For more information, see the following:

http://www.cisco.com/en/US/products/hw/routers/ps986/prod_configuration_guide09186a00802ecb5d.html



Warning

Warning—Before working on equipment that is connected to power lines, remove jewelry (including rings, necklaces, and watches). Metal objects will heat up when connected to power and ground terminals and can cause serious burns or weld the metal object to the terminals.



Warning

Warning—An exposed wire lead from a DC-input power source can conduct harmful levels of electricity. Be sure that no exposed portion of the DC-input power source wire extends from the terminal block plug.



Warning

Warning—Only trained and qualified personnel should be allowed to install or replace this equipment.



Warning

Warning—This equipment is intended to be grounded. Ensure that the host is connected to earth ground during normal use.

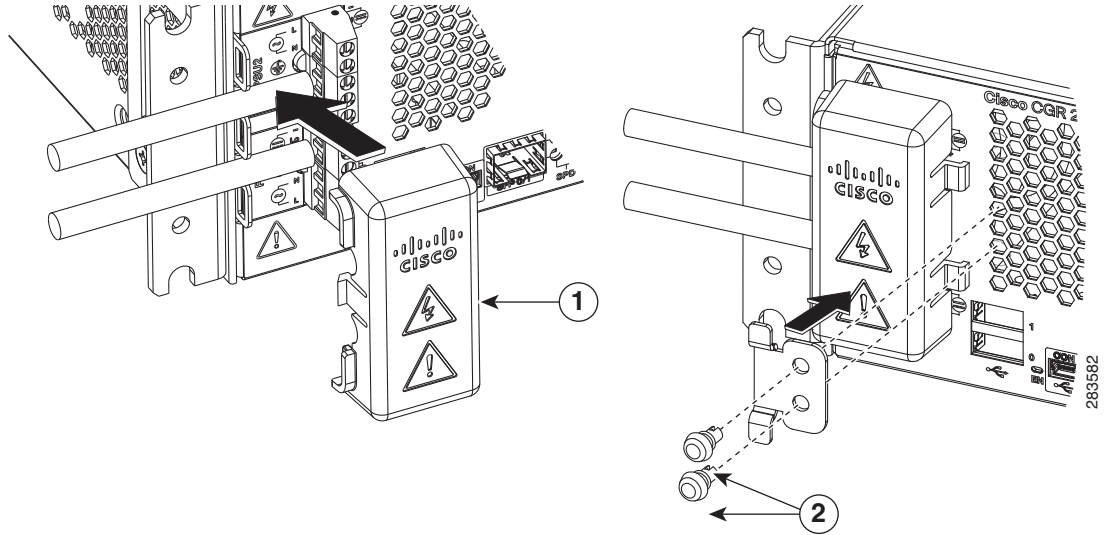


Note

To install the Cisco CGR 2010 power terminal cover accessory, the CGR 2010 router does not have to be disconnected from its power source.

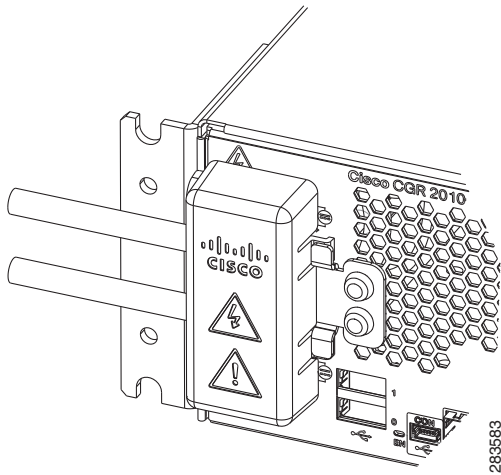
- Step 3** Position the terminal cover bracket over the terminal cover tabs, ensuring that the brackets screw holes are aligned with two vent holes.

Figure 1 Positioning the Terminal Cover



- Step 4** Secure the bracket by tightening the two provided snap-rivets into the aligned vent holes.

Figure 2 Securing the Terminal Cover and Bracket into Place



Related Documentation

For information on installing the Cisco GSR 2010 Router, see:

http://www.cisco.com/en/US/docs/routers/access/2000/CGR2010/hardware/installation/guide/CGR2010_HIG.html

For information on configuring the Cisco GSR 2010 Router, see:

http://www.cisco.com/en/US/docs/routers/access/2000/CGR2010/software/configuration/guide/CGR_2010.html

Obtaining Documentation and Submitting a Service Request

For information on obtaining documentation, submitting a service request, and gathering additional information, see the monthly *What's New in Cisco Product Documentation*, which also lists all new and revised Cisco technical documentation, at:

<http://www.cisco.com/en/US/docs/general/whatsnew/whatsnew.html>

Subscribe to the *What's New in Cisco Product Documentation* as a Really Simple Syndication (RSS) feed and set content to be delivered directly to your desktop using a reader application. The RSS feeds are a free service. Cisco currently supports RSS Version 2.0.

This document is to be used in conjunction with the documents listed in the “[Related Documentation](#)” section.

Cisco and the Cisco Logo are trademarks of Cisco Systems, Inc. and/or its affiliates in the U.S. and other countries. A listing of Cisco's trademarks can be found at www.cisco.com/go/trademarks. Third party trademarks mentioned are the property of their respective owners. The use of the word partner does not imply a partnership relationship between Cisco and any other company. (1005R)

Any Internet Protocol (IP) addresses and phone numbers used in this document are not intended to be actual addresses and phone numbers. Any examples, command display output, network topology diagrams, and other figures included in the document are shown for illustrative purposes only. Any use of actual IP addresses or phone numbers in illustrative content is unintentional and coincidental.

© 2011 Cisco Systems, Inc. All rights reserved.

