



## **Public Key Infrastructure Configuration Guide**

### **Americas Headquarters**

Cisco Systems, Inc.  
170 West Tasman Drive  
San Jose, CA 95134-1706  
USA  
<http://www.cisco.com>  
Tel: 408 526-4000  
800 553-NETS (6387)  
Fax: 408 527-0883

THE SPECIFICATIONS AND INFORMATION REGARDING THE PRODUCTS IN THIS MANUAL ARE SUBJECT TO CHANGE WITHOUT NOTICE. ALL STATEMENTS, INFORMATION, AND RECOMMENDATIONS IN THIS MANUAL ARE BELIEVED TO BE ACCURATE BUT ARE PRESENTED WITHOUT WARRANTY OF ANY KIND, EXPRESS OR IMPLIED. USERS MUST TAKE FULL RESPONSIBILITY FOR THEIR APPLICATION OF ANY PRODUCTS.

THE SOFTWARE LICENSE AND LIMITED WARRANTY FOR THE ACCOMPANYING PRODUCT ARE SET FORTH IN THE INFORMATION PACKET THAT SHIPPED WITH THE PRODUCT AND ARE INCORPORATED HEREIN BY THIS REFERENCE. IF YOU ARE UNABLE TO LOCATE THE SOFTWARE LICENSE OR LIMITED WARRANTY, CONTACT YOUR CISCO REPRESENTATIVE FOR A COPY.

The Cisco implementation of TCP header compression is an adaptation of a program developed by the University of California, Berkeley (UCB) as part of UCB's public domain version of the UNIX operating system. All rights reserved. Copyright © 1981, Regents of the University of California.

NOTWITHSTANDING ANY OTHER WARRANTY HEREIN, ALL DOCUMENT FILES AND SOFTWARE OF THESE SUPPLIERS ARE PROVIDED "AS IS" WITH ALL FAULTS. CISCO AND THE ABOVE-NAMED SUPPLIERS DISCLAIM ALL WARRANTIES, EXPRESSED OR IMPLIED, INCLUDING, WITHOUT LIMITATION, THOSE OF MERCHANTABILITY, FITNESS FOR A PARTICULAR PURPOSE AND NONINFRINGEMENT OR ARISING FROM A COURSE OF DEALING, USAGE, OR TRADE PRACTICE.

IN NO EVENT SHALL CISCO OR ITS SUPPLIERS BE LIABLE FOR ANY INDIRECT, SPECIAL, CONSEQUENTIAL, OR INCIDENTAL DAMAGES, INCLUDING, WITHOUT LIMITATION, LOST PROFITS OR LOSS OR DAMAGE TO DATA ARISING OUT OF THE USE OR INABILITY TO USE THIS MANUAL, EVEN IF CISCO OR ITS SUPPLIERS HAVE BEEN ADVISED OF THE POSSIBILITY OF SUCH DAMAGES.

Any Internet Protocol (IP) addresses and phone numbers used in this document are not intended to be actual addresses and phone numbers. Any examples, command display output, network topology diagrams, and other figures included in the document are shown for illustrative purposes only. Any use of actual IP addresses or phone numbers in illustrative content is unintentional and coincidental.

Cisco and the Cisco logo are trademarks or registered trademarks of Cisco and/or its affiliates in the U.S. and other countries. To view a list of Cisco trademarks, go to this URL: <http://www.cisco.com/go/trademarks>. Third-party trademarks mentioned are the property of their respective owners. The use of the word partner does not imply a partnership relationship between Cisco and any other company. (1110R)

© 2017 Cisco Systems, Inc. All rights reserved.



## CONTENTS

---

### CHAPTER 1

---

#### [Read Me First 1](#)

---

### CHAPTER 2

#### [Cisco IOS XE PKI Overview Understanding and Planning a PKI 3](#)

[Finding Feature Information 3](#)

[Information About Cisco IOS XE PKI 3](#)

[What Is Cisco IOS XE PKI 3](#)

[RSA Keys Overview 4](#)

[What Are CAs 5](#)

[Hierarchical PKI Multiple CAs 5](#)

[When to Use Multiple CAs 6](#)

[Certificate Enrollment How It Works 6](#)

[Certificate Enrollment Via Secure Device Provisioning 7](#)

[Certificate Revocation Why It Occurs 7](#)

[Planning for a PKI 7](#)

[Where to Go Next 8](#)

[Additional References for Understanding and Planning a PKI 8](#)

[Glossary 9](#)

---

### CHAPTER 3

#### [Deploying RSA Keys Within a PKI 11](#)

[Finding Feature Information 11](#)

[Prerequisites for Configuring RSA Keys for a PKI 12](#)

[Information About RSA Keys Configuration 12](#)

[RSA Keys Overview 12](#)

[Usage RSA Keys Versus General-Purpose RSA Keys 12](#)

[How RSA Key Pairs are Associated with a Trustpoint 13](#)

[Reasons to Store Multiple RSA Keys on a Router 13](#)

[Benefits of Exportable RSA Keys 13](#)

[Passphrase Protection While Importing and Exporting RSA Keys 14](#)

How to Set Up and Deploy RSA Keys Within a PKI	14
Generating an RSA Key Pair	14
What to Do Next	15
Managing RSA Key Pairs and Trustpoint Certificates	16
Exporting and Importing RSA Keys	19
Exporting and Importing RSA Keys in PKCS12 Files	19
Exporting and Importing RSA Keys in PEM-Formatted Files	21
Encrypting and Locking Private Keys on a Router	24
Removing RSA Key Pair Settings	26
Configuration Examples for RSA Key Pair Deployment	28
Generating and Specifying RSA Keys Example	28
Exporting and Importing RSA Keys Examples	28
Exporting and Importing RSA Keys in PKCS12 Files Example	28
Exporting and Importing and RSA Keys in PEM Files Example	29
Exporting Router RSA Key Pairs and Certificates from PEM Files Example	30
Importing Router RSA Key Pairs and Certificate from PEM Files Example	31
Encrypting and Locking Private Keys on a Router Examples	31
Configuring and Verifying an Encrypted Key Example	31
Configuring and Verifying a Locked Key Example	32
Where to Go Next	32
Additional References	32
Feature Information for RSA Keys Within a PKI	33

---

**CHAPTER 4**

<b>Configuring Authorization and Revocation of Certificates in a PKI</b>	<b>37</b>
Finding Feature Information	37
Prerequisites for Authorization and Revocation of Certificates	38
Restrictions for Authorization and Revocation of Certificates	38
Information About Authorization and Revocation of Certificates	39
PKI Authorization	39
PKI and AAA Server Integration for Certificate Status	39
RADIUS or TACACS+ Choosing a AAA Server Protocol	39
Attribute-Value Pairs for PKI and AAA Server Integration	40
CRLs or OCSP Server Choosing a Certificate Revocation Mechanism	41
What Is a CRL	41
Querying All CDPs During Revocation Check	42

What Is OCSP	42
When to Use an OCSP Server	43
When to Use Certificate-Based ACLs for Authorization or Revocation	43
Ignore Revocation Checks Using a Certificate-Based ACL	44
PKI Certificate Chain Validation	45
How to Configure Authorization and Revocation of Certificates for Your PKI	46
Configuring PKI Integration with a AAA Server	46
Troubleshooting Tips	49
Configuring a Revocation Mechanism for PKI Certificate Status Checking	50
The revocation-check Command	50
Nonces and Peer Communications with OCSP Servers	50
Configuring Certificate Authorization and Revocation Settings	53
Configuring Certificate-Based ACLs to Ignore Revocation Checks	53
Manually Overriding CDPs in a Certificate	54
Manually Overriding the OCSP Server Setting in a Certificate	54
Configuring CRL Cache Control	54
Configuring Certificate Serial Number Session Control	54
Troubleshooting Tips	60
Configuring Certificate Chain Validation	61
Configuration Examples for Setting Up Authorization and Revocation of Certificates	62
Configuring and Verifying PKI AAA Authorization Examples	62
Router Configuration Example	62
Debug of a Successful PKI AAA Authorization Example	64
Debugs of a Failed PKI AAA Authorization Example	65
Configuring a Revocation Mechanism Examples	66
Configuring an OCSP Server Example	66
Specifying a CRL and Then an OCSP Server Example	66
Specifying an OCSP Server Example	66
Disabling Nonces in Communications with the OCSP Server Example	67
Configuring a Hub Router at a Central Site for Certificate Revocation Checks Example	67
Configuring Certificate Authorization and Revocation Settings Examples	70
Configuring CRL Cache Control	71
Configuring Certificate Serial Number Session Control	72
Configuring Certificate Chain Validation Examples	73
Configuring Certificate Chain Validation from Peer to Root CA	73

Configuring Certificate Chain Validation from Peer to Subordinate CA	73
Configuring Certificate Chain Validation Through a Gap	74
Additional References	74
Feature Information for Certificate Authorization and Revocation	75

---

**CHAPTER 5**

<b>Configuring Certificate Enrollment for a PKI</b>	<b>81</b>
Finding Feature Information	81
Prerequisites for PKI Certificate Enrollment	82
Information About Certificate Enrollment for a PKI	82
What Are CAs	82
Framework for Multiple CAs	82
Authentication of the CA	83
Supported Certificate Enrollment Methods	83
Cisco IOS Suite-B Support for Certificate Enrollment for a PKI	84
Registration Authorities	85
Automatic Certificate Enrollment	85
Certificate Enrollment Profiles	86
How to Configure Certificate Enrollment for a PKI	86
Configuring Certificate Enrollment or Autoenrollment	86
Configuring Manual Certificate Enrollment	92
PEM-Formatted Files for Certificate Enrollment Request	92
Restrictions for Manual Certificate Enrollment	92
Configuring Cut-and-Paste Certificate Enrollment	92
Configuring TFTP Certificate Enrollment	95
Certifying a URL Link for Secure Communication with a Trend Micro Server	98
Configuring a Persistent Self-Signed Certificate for Enrollment via SSL	103
Persistent Self-Signed Certificates Overview	103
Restrictions	104
Configuring a Trustpoint and Specifying Self-Signed Certificate Parameters	104
Enabling the HTTPS Server	106
Configuring a Certificate Enrollment Profile for Enrollment or Reenrollment	107
What to Do Next	111
Configuration Examples for PKI Certificate Enrollment Requests	111
Configuring Certificate Enrollment or Autoenrollment Example	111
Configuring Autoenrollment Example	112

Configuring Certificate Autoenrollment with Key Regeneration Example	112
Configuring Cut-and-Paste Certificate Enrollment Example	113
Configuring Manual Certificate Enrollment with Key Regeneration Example	115
Creating and Verifying a Persistent Self-Signed Certificate Example	116
Enabling the HTTPS Server Example	116
Verifying the Self-Signed Certificate Configuration Example	117
Configuring Direct HTTP Enrollment Example	118
Additional References	118
Feature Information for PKI Certificate Enrollment	120

**CHAPTER 6****PKI Credentials Expiry Alerts 125**

Finding Feature Information	125
Restrictions for PKI Credentials Expiry Alerts	125
Information About PKI Alerts Notification	126
Overview of Alerts Notification	126
PKI Traps	127
Additional References for PKI Credentials Expiry Alerts	127
Feature Information for PKI Credentials Expiry Alerts	128

**CHAPTER 7****Configuring and Managing a Cisco IOS XE Certificate Server for PKI Deployment 129**

Finding Feature Information	130
Prerequisites for Configuring a Cisco IOS XE Certificate Server	130
Restrictions for Configuring a Cisco IOS XE Certificate Server	131
Information About Cisco IOS XE Certificate Servers	131
RSA Key Pair and Certificate of the Certificate Server	131
How the CA Certificate and CA Key Are Automatically Archived	131
Certificate Server Database	132
Certificate Server Database File Storage	132
Certificate Server Database File Publication	133
Trustpoint of the Certificate Server	134
Certificate Revocation Lists (CRLs)	134
Certificate Server Error Conditions	135
Certificate Enrollment Using a Certificate Server	136
SCEP Enrollment	136
Types of CA Servers Subordinate and Registration Authorities (RAs)	137

Automatic CA Certificate and Key Rollover	137
Automatic CA Certificate Rollover How It Works	138
Support for Specifying a Cryptographic Hash Function	139
How to Set Up and Deploy a Cisco IOS XE Certificate Server	139
Generating a Certificate Server RSA Key Pair	139
Configuring Certificate Servers	142
Prerequisites for Automatic CA Certificate Rollover	142
Restrictions for Automatic CA Certificate Rollover	142
Configuring a Certificate Server	142
Configuring a Subordinate Certificate Server	144
Examples	147
Configuring a Certificate Server to Run in RA Mode	150
Configuring the Root Certificate Server to Delegate Enrollment Tasks to the RA Mode Certificate Server	153
What to Do Next	154
Configuring Certificate Server Functionality	154
Certificate Server Default Values and Recommended Values	154
Certificate Server File Storage and Publication Locations	154
Working with Automatic CA Certificate Rollover	158
Starting Automated CA Certificate Rollover Immediately	158
Requesting a Certificate Server Client Rollover Certificate	158
Exporting a CA Rollover Certificate	159
Maintaining Verifying and Troubleshooting the Certificate Server Certificates and the CA	160
Managing the Enrollment Request Database	160
Removing Requests from the Enrollment Request Database	162
Deleting a Certificate Server	163
Verifying and Troubleshooting Certificate Server and CA Status	163
Verifying CA Certificate Information	164
Configuration Examples for Using a Certificate Server	166
Example: Configuring Specific Storage and Publication Locations	166
Example: Removing Enrollment Requests from the Enrollment Request Database	167
Example: Autoarchiving the Certificate Server Root Keys	168
Example: Restoring a Certificate Server from Certificate Server Backup Files	171
Example: Subordinate Certificate Server	173



Example: Root Certificate Server Differentiation	174
Example: Show Output for a Subordinate Certificate Server	174
Example: RA Mode Certificate Server	174
Example: Enabling CA Certificate Rollover to Start Immediately	176
Where to Go Next	177
Additional References for Configuring and Managing a Cisco IOS XE Certificate Server for PKI Deployment	177
Feature Information for Configuring and Managing a Cisco IOS XE Certificate Server for PKI Deployment	178

---

**CHAPTER 8**

<b>Storing PKI Credentials</b>	<b>181</b>
Finding Feature Information	181
Prerequisites for Storing PKI Credentials	182
Restrictions for Storing PKI Credentials	182
Information About Storing PKI Credentials	183
Storing Certificates to a Local Storage Location	183
PKI Credentials and USB Tokens	183
How a USB Token Works	183
Benefits of USB Tokens	184
How to Configure PKI Storage	185
Specifying a Local Storage Location for Certificates	185
Setting Up and Using USB Tokens on Cisco Devices	187
Storing the Configuration on a USB Token	187
Logging Into and Setting Up the USB Token	187
How RSA Keys are Used with a USB Token	187
Configuring the Device for Manual Login	187
What to Do Next	188
Configuring the USB Token	189
PINs and Passphrases	189
Unlocking and Locking the USB Token	189
Secondary Configuration and Unconfiguration Files	189
What to Do Next	192
Setting Administrative Functions on the USB Token	192
Troubleshooting USB Tokens	195
Troubleshooting the USB Port Connection	195

Determining if a USB Token is Supported by Cisco	196
Determining USB Token Device Problems	196
Displaying USB Token Information	198
Configuration Examples for PKI Storage	199
Example: Storing Certificates to a Specific Local Storage Location	199
Example: Logging Into a USB Token and Saving RSA Keys to the USB Token	199
Additional References	200
Feature Information for Storing PKI Credentials	201

**CHAPTER 9****Source Interface Selection for Outgoing Traffic with Certificate Authority 205**

Finding Feature Information	205
Information About Source Interface Selection for Outgoing Traffic with Certificate Authority	206
Certificates That Identify an Entity	206
Source Interface for Outgoing TCP Connections Associated with a Trustpoint	206
How to Configure Source Interface Selection for Outgoing Traffic with Certificate Authority	207
Configuring the Interface for All Outgoing TCP Connections Associated with a Trustpoint	207
Troubleshooting Tips	209
Configuration Examples for Source Interface Selection for Outgoing Traffic with Certificate Authority	209
Source Interface Selection for Outgoing Traffic with Certificate Authority Example	209
Additional References	210
Feature Information for Source Interface Selection for Outgoing Traffic with Certificate Authority	211
Glossary	212

**CHAPTER 10****PKI Trustpool Management 213**

Finding Feature Information	213
Prerequisites for PKI Trustpool Management	214
Restrictions for PKI Trustpool Management	214
Information About PKI Trustpool Management	214
CA Certificate Storage in a PKI Trustpool	214
PKI Trustpool Updating	214

CA Handling in Both PKI Trustpool and Trustpoint	215
PKI Trustpool Enhancements	215
How to Configure PKI Trustpool Management	216
Manually Updating Certificates in the PKI Trustpool	216
Configuring Optional PKI Trustpool Policy Parameters	218
Configuration examples for PKI Trustpool Management	222
Example: Configuring PKI Trustpool Management	222
Example: Using PKI Trustpool for SSH Connection During Upgrade	224
Additional References for PKI Trustpool Management	227
Feature Information for PKI Trustpool Management	227

---

**CHAPTER 11**

<b>PKI Split VRF in Trustpoint</b>	<b>229</b>
Finding Feature Information	229
Information About PKI Split VRF in Trustpoint	229
Overview of PKI Split VRF in Trustpoint	229
How to Configure PKI Split VRF in Trustpoint	230
Configuring the Split VRF	230
Configuration Examples for PKI Split VRF in Trustpoint	231
Example: Configuring the PKI Split VRF in Trustpoint	231
Additional References for PKI Split VRF in Trustpoint	232
Feature Information for PKI Split VRF in Trustpoint	232

---

**CHAPTER 12**

<b>EST Client Support</b>	<b>235</b>
Finding Feature Information	235
Prerequisites for EST Client Support	235
Restrictions for EST Client Support	236
Information About EST Client Support	236
Overview of EST Client Support	236
How to Configure EST Client Support	236
Configuring a Trustpoint to Use EST	236
Configuration Examples for EST Client Support	238
Example: Configuring a Trustpoint to Use EST	238
Additional References for EST Client Support	238
Feature Information for EST Client Support	239

---

**CHAPTER 13****OCSP Response Stapling 241**

Finding Feature Information 241

Information About OCSP Response Stapling 241

Overview of OCSP Response Stapling 241

How to Configure OCSP Response Stapling 242

Configuring PKI Client to Request EKU Attribute 242

Configuring PKI Server to Include EKU Attributes 244

Additional References for OCSP Response Stapling 246

Feature Information for OCSP Response Stapling 248



## Read Me First

---

### Important Information about Cisco IOS XE 16

Effective Cisco IOS XE Release 3.7.0E (for Catalyst Switching) and Cisco IOS XE Release 3.17S (for Access and Edge Routing) the two releases evolve (merge) into a single version of converged release—the Cisco IOS XE 16—providing one release covering the extensive range of access and edge products in the Switching and Routing portfolio.



#### Note

---

The Feature Information table in the technology configuration guide mentions when a feature was introduced. It may or may not mention when other platforms were supported for that feature. To determine if a particular feature is supported on your platform, look at the technology configuration guides posted on your product landing page. When a technology configuration guide is displayed on your product landing page, it indicates that the feature is supported on that platform.

---





## CHAPTER 2

# Cisco IOS XE PKI Overview Understanding and Planning a PKI

---

Cisco IOS XE public key infrastructure (PKI) provides certificate management to support security protocols such as IP Security (IPSec), secure shell (SSH), and secure socket layer (SSL).

This module identifies and describes concepts that are needed to understand, plan for, and implement a PKI.

- [Finding Feature Information, page 3](#)
- [Information About Cisco IOS XE PKI, page 3](#)
- [Planning for a PKI, page 7](#)
- [Where to Go Next, page 8](#)
- [Additional References for Understanding and Planning a PKI, page 8](#)
- [Glossary, page 9](#)

## Finding Feature Information

Your software release may not support all the features documented in this module. For the latest caveats and feature information, see [Bug Search Tool](#) and the release notes for your platform and software release. To find information about the features documented in this module, and to see a list of the releases in which each feature is supported, see the feature information table.

Use Cisco Feature Navigator to find information about platform support and Cisco software image support. To access Cisco Feature Navigator, go to [www.cisco.com/go/cfn](http://www.cisco.com/go/cfn). An account on Cisco.com is not required.

## Information About Cisco IOS XE PKI

### What Is Cisco IOS XE PKI

A PKI is composed of the following entities:

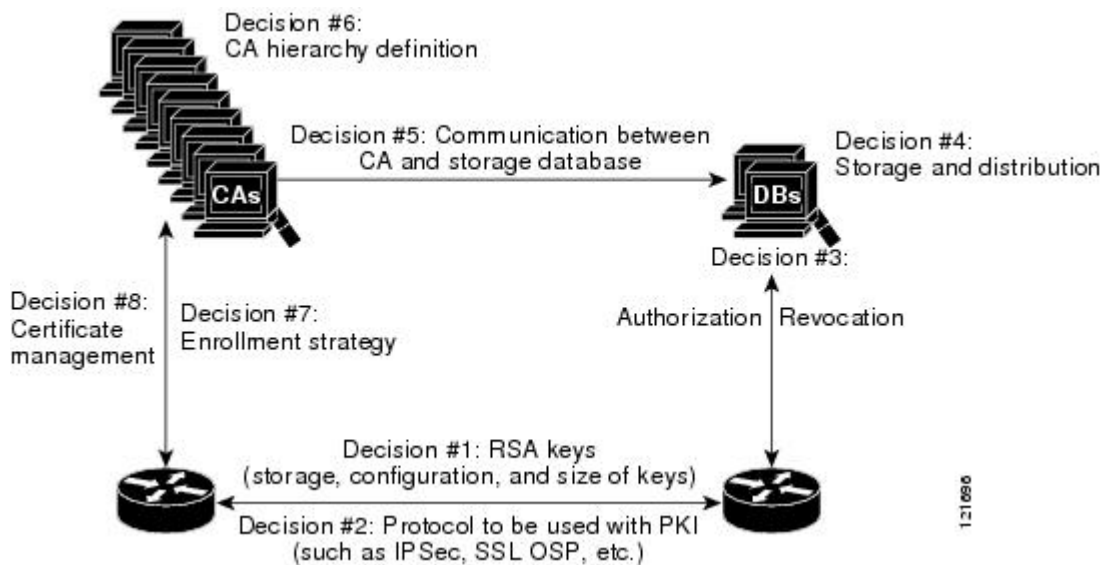
- Peers communicating on a secure network
- At least one certification authority (CA) that grants and maintains certificates
- Digital certificates, which contain information such as the certificate validity period, peer identity information, encryption keys that are used for secure communications, and the signature of the issuing CA
- An optional registration authority (RA) to offload the CA by processing enrollment requests
- A distribution mechanism (such as Lightweight Directory Access Protocol [LDAP] or HTTP) for certificate revocation lists (CRLs)

PKI provides customers with a scalable, secure mechanism for distributing, managing, and revoking encryption and identity information in a secured data network. Every entity (a person or a device) participating in the secured communication is enrolled in the PKI in a process where the entity generates an Rivest, Shamir, and Adelman (RSA) key pair (one private key and one public key) and has their identity validated by a trusted entity (also known as a CA or trustpoint).

After each entity enrolls in a PKI, every peer (also known as an end host) in a PKI is granted a digital certificate that has been issued by a CA. When peers must negotiate a secured communication session, they exchange digital certificates. Based on the information in the certificate, a peer can validate the identity of another peer and establish an encrypted session with the public keys contained in the certificate.

Although you can plan for and set up your PKI in a number of different ways, the figure below shows the major components that make up a PKI and suggests an order in which each decision within a PKI can be made. The figure is a suggested approach; you can choose to set up your PKI from a different perspective.

**Figure 1: Deciding How to Set Up Your PKI**



## RSA Keys Overview

An RSA key pair consists of a public key and a private key. When setting up your PKI, you must include the public key in the certificate enrollment request. After the certificate has been granted, the public key will be



included in the certificate so that peers can use it to encrypt data that is sent to the router. The private key is kept on the router and used both to decrypt the data sent by peers and to digitally sign transactions when negotiating with peers.

RSA key pairs contain a key modulus value. The modulus determines the size of the RSA key. The larger the modulus, the more secure the RSA key. However, keys with large modulus values take longer to generate, and encryption and decryption operations take longer with larger keys.

## What Are CAs

A CA, also known as a trustpoint, manages certificate requests and issues certificates to participating network devices. These services (managing certificate requests and issuing certificates) provide centralized key management for the participating devices and are explicitly trusted by the receiver to validate identities and to create digital certificates. Before any PKI operations can begin, the CA generates its own public key pair and creates a self-signed CA certificate; thereafter, the CA can sign certificate requests and begin peer enrollment for the PKI.

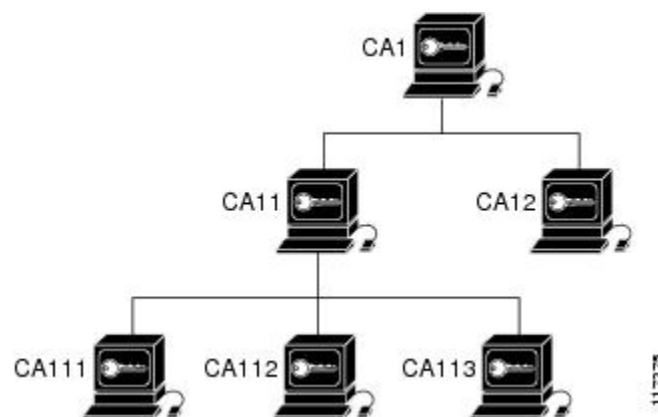
You can use a CA provided by a third-party CA vendor, or you can use an “internal” CA, which is the Cisco IOS Certificate Server.

### Hierarchical PKI Multiple CAs

PKI can be set up in a hierarchical framework to support multiple CAs. At the top of the hierarchy is a root CA, which holds a self-signed certificate. The trust within the entire hierarchy is derived from the RSA key pair of the root CA. The subordinate CAs within the hierarchy can be enrolled with either the root CA or with another subordinate CA. These enrollment options are how multiple tiers of CAs are configured. Within a hierarchical PKI, all enrolled peers, can validate the certificate of one another if the peers share a trusted root CA certificate or a common subordinate CA.

The figure below shows the enrollment relationships among CAs within a three-tiered hierarchy.

**Figure 2: Three-Tiered CA Hierarchy Sample Topology**



Each CA corresponds to a trustpoint. For example, CA11 and CA12 are subordinate CAs, holding CA certificates that have been issued by CA1; CA111, CA112, and CA113 are also subordinate CAs, but their CA certificates have been issued by CA11.

## When to Use Multiple CAs

Multiple CAs provide users with added flexibility and reliability. For example, subordinate CAs can be placed in branch offices while the root CA is at the office headquarters. Also, different granting policies can be implemented per CA, so you can set up one CA to automatically grant certificate requests while another CA within the hierarchy requires each certificate request to be manually granted.

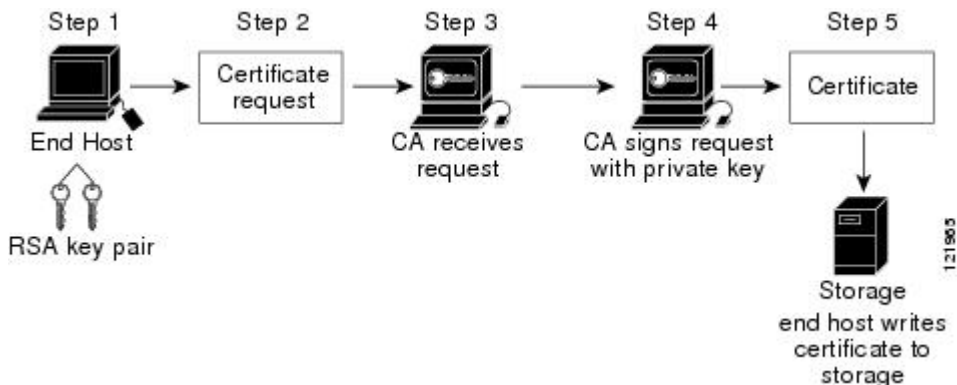
Scenarios in which at least a two-tier CA is recommended are as follows:

- Large and very active networks in which a large number of certificates are revoked and reissued. A multiple tier CA helps to control the size of the CRLs.
- When online enrollment protocols are used, the root CA can be kept offline with the exception of issuing subordinate CA certificates. This scenario provides added security for the root CA.

## Certificate Enrollment How It Works

Certificate enrollment is the process of obtaining a certificate from a CA. Each end host that wants to participate in the PKI must obtain a certificate. Certificate enrollment occurs between the end host requesting the certificate and the CA. The table below and the following steps describe the certificate enrollment process.

**Figure 3: Certificate Enrollment Process**



- 1 The end host generates an RSA key pair.
- 2 The end host generates a certificate request and forwards it to the CA (or the RA, if applicable).
- 3 The CA receives the certificate enrollment request, and, depending on your network configuration, one of the following options occurs:
  - 1 Manual intervention is required to approve the request.
  - 2 The end host is configured to automatically request a certificate from the CA. Thus, operator intervention is no longer required at the time the enrollment request is sent to the CA server.



### Note

If you configure the end host to automatically request certificates from the CA, you should have an additional authorization mechanism.

- 1 After the request is approved, the CA signs the request with its private key and returns the completed certificate to the end host.
- 2 The end host writes the certificate to a storage area such as NVRAM.

## Certificate Enrollment Via Secure Device Provisioning

Secure Device Provisioning (SDP) is a web-based certificate enrollment interface that can be used to easily deploy PKI between two end devices, such as a Cisco IOS XE client and a Cisco IOS certificate server.

SDP (also referred to as Trusted Transitive Introduction [TTI]) is a communication protocol that provides a bidirectional introduction between two end entities, such as a new network device and a VPN. SDP involves the following three entities:

- **Introducer**—A mutually trusted device that introduces the petitioner to the registrar. The introducer can be a device user, such as a system administrator.
- **Petitioner**—A new device that is joined to the secure domain.
- **Registrar**—A certificate server or other server that authorizes the petitioner.

SDP is implemented over a web browser in three phases—welcome, introduction, and completion. Each phase is shown to the user via a web page.

## Certificate Revocation Why It Occurs

After each participant has successfully enrolled in the PKI, the peers are ready to begin negotiations for a secure connection with each other. Thus, the peers present their certificates for validation followed by a revocation check. After the peer verifies that the other peer's certificate was issued by an authenticated CA, the CRL or Online Certificate Status Protocol (OCSP) server is checked to ensure that the certificate has not been revoked by the issuing CA. The certificate usually contains a certificate distribution point (CDP) in the form of a URL. Cisco IOS software uses the CDP to locate and retrieve the CRL. If the CDP server does not respond, the Cisco IOS software reports an error, which may result in the peer's certificate being rejected.

## Planning for a PKI

Planning for a PKI requires evaluating the requirements and expected use for each of the PKI components shown in [Planning for a PKI, on page 7](#). It is recommended that you (or the network administrator) thoroughly plan the PKI before beginning any PKI configuration.

Although there are a number of approaches to consider when planning the PKI, this document begins with peer-to-peer communication and proceeds as shown in [Planning for a PKI, on page 7](#). However you or the network administrator choose to plan the PKI, understand that certain decisions influence other decisions within the PKI. For example, the enrollment and deployment strategy could influence the planned CA hierarchy. Thus, it is important to understand how each component functions within the PKI and how certain component options are dependent upon decisions made earlier in the planning process.

## Where to Go Next

After you have generated an RSA key pair, you should set up the trustpoint. If you have already set up the trustpoint, you should authenticate and enroll the routers in a PKI. For information on enrollment, see the module “Configuring Certificate Enrollment for a PKI.”

## Additional References for Understanding and Planning a PKI

### Related Documents

Related Topic	Document Title
Cisco IOS commands	<a href="#">Cisco IOS Master Command List, All Releases</a>
PKI and security commands	<ul style="list-style-type: none"> <li>• <a href="#">Cisco IOS Security Command Reference Commands A to C</a></li> <li>• <a href="#">Cisco IOS Security Command Reference Commands D to L</a></li> <li>• <a href="#">Cisco IOS Security Command Reference Commands M to R</a></li> <li>• <a href="#">Cisco IOS Security Command Reference Commands S to Z</a></li> </ul>
USB Token RSA Operations: Using the RSA keys on a USB token for initial autoenrollment	<i>Configuring Certificate Enrollment for a PKI</i>
USB Token RSA Operations: Benefits of using USB tokens	<i>Storing PKI Credentials</i>
Certificate server client certificate enrollment, autoenrollment, and automatic rollover	<i>Configuring Certificate Enrollment for a PKI</i>
Setting up and logging into a USB token	<i>Storing PKI Credentials</i>
Web-based certificate enrollment	<i>Setting Up Secure Device Provisioning (SDP) for Enrollment in a PKI</i>
RSA keys in PEM formatted files	<i>Deploying RSA Keys Within a PKI</i>
Choosing a certificate revocation mechanism	<i>Configuring Authorization and Revocation of Certificates in a PKI</i>
Recommended cryptographic algorithms	<a href="#">Next Generation Encryption</a>

**MIBs**

MIBs	MIBs Link
<ul style="list-style-type: none"> <li>• PKI MIB</li> </ul>	To locate and download MIBs for selected platforms, Cisco IOS software releases, and feature sets, use Cisco MIB Locator found at the following URL: <a href="http://www.cisco.com/go/mibs">http://www.cisco.com/go/mibs</a>

**Technical Assistance**

Description	Link
The Cisco Support and Documentation website provides online resources to download documentation, software, and tools. Use these resources to install and configure the software and to troubleshoot and resolve technical issues with Cisco products and technologies. Access to most tools on the Cisco Support and Documentation website requires a Cisco.com user ID and password.	<a href="http://www.cisco.com/cisco/web/support/index.html">http://www.cisco.com/cisco/web/support/index.html</a>

## Glossary

**CDP**—certificate distribution point. Field within a digital certificate containing information that describes how to retrieve the CRL for the certificate. The most common CDPs are HTTP and LDAP URLs. A CDP may also contain other types of URLs or an LDAP directory specification. Each CDP contains one URL or directory specification.

**certificates**—Electronic documents that bind a user's or device's name to its public key. Certificates are commonly used to validate a digital signature.

**CRL**—certificate revocation list. Electronic document that contains a list of revoked certificates. The CRL is created and digitally signed by the CA that originally issued the certificates. The CRL contains dates for when the certificate was issued and when it expires. A new CRL is issued when the current CRL expires.

**CA**—certification authority. Service responsible for managing certificate requests and issuing certificates to participating IPsec network devices. This service provides centralized key management for the participating devices and is explicitly trusted by the receiver to validate identities and to create digital certificates.

**peer certificate**--Certificate presented by a peer, which contains the peer's public key and is signed by the trustpoint CA.

**PKI**—public key infrastructure. System that manages encryption keys and identity information for components of a network that participate in secured communications.

**RA**—registration authority. Server that acts as a proxy for the CA so that CA functions can continue when the CA is offline. Although the RA is often part of the CA server, the RA could also be an additional application, requiring an additional device to run it.

**RSA keys**—Public key cryptographic system developed by Ron Rivest, Adi Shamir, and Leonard Adleman. An RSA key pair (a public and a private key) is required before you can obtain a certificate for your router.



## Deploying RSA Keys Within a PKI

This module explains how to set up and deploy Rivest, Shamir, and Adelman (RSA) keys within a public key infrastructure (PKI). An RSA key pair (a public and a private key) is required before you can obtain a certificate for your router; that is, the end host must generate a pair of RSA keys and exchange the public key with the certification authority (CA) to obtain a certificate and enroll in a PKI.

**Note**

Security threats, as well as the cryptographic technologies to help protect against them, are constantly changing. For more information about the latest Cisco cryptographic recommendations, see the [Next Generation Encryption \(NGE\)](#) white paper.

- [Finding Feature Information](#), page 11
- [Prerequisites for Configuring RSA Keys for a PKI](#), page 12
- [Information About RSA Keys Configuration](#), page 12
- [How to Set Up and Deploy RSA Keys Within a PKI](#), page 14
- [Configuration Examples for RSA Key Pair Deployment](#), page 28
- [Where to Go Next](#), page 32
- [Additional References](#), page 32
- [Feature Information for RSA Keys Within a PKI](#), page 33

## Finding Feature Information

Your software release may not support all the features documented in this module. For the latest caveats and feature information, see [Bug Search Tool](#) and the release notes for your platform and software release. To find information about the features documented in this module, and to see a list of the releases in which each feature is supported, see the feature information table.

Use Cisco Feature Navigator to find information about platform support and Cisco software image support. To access Cisco Feature Navigator, go to [www.cisco.com/go/cfn](http://www.cisco.com/go/cfn). An account on Cisco.com is not required.

# Prerequisites for Configuring RSA Keys for a PKI

- Before setting up and deploying RSA keys for a PKI, you should be familiar with the module Cisco IOS PKI Overview: Understanding and Planning a PKI .
- As of Cisco IOS Release 12.3(7)T, all commands that begin as “crypto ca” have been changed to begin as “crypto pki.” Although the router will still accept crypto ca commands, all output will be read back as crypto pki.

## Information About RSA Keys Configuration

### RSA Keys Overview

An RSA key pair consists of a public key and a private key. When setting up your PKI, you must include the public key in the certificate enrollment request. After the certificate has been granted, the public key will be included in the certificate so that peers can use it to encrypt data that is sent to the router. The private key is kept on the router and used both to decrypt the data sent by peers and to digitally sign transactions when negotiating with peers.

RSA key pairs contain a key modulus value. The modulus determines the size of the RSA key. The larger the modulus, the more secure the RSA key. However, keys with large modulus values take longer to generate, and encryption and decryption operations take longer with larger keys.

**Note**

---

As of Cisco IOS Release 12.4(11)T, peer *public* RSA key modulus values up to 4096 bits are automatically supported. The largest private RSA key modulus is 4096 bits. Therefore, the largest RSA private key a router may generate or import is 4096 bits. However, RFC 2409 restricts the private key size to 2048 bits or less for RSA encryption. The recommended modulus value for a CA is 2048 bits; the recommended modulus value for a client is also 2048 bits.

---

### Usage RSA Keys Versus General-Purpose RSA Keys

There are two mutually exclusive types of RSA key pairs--usage keys and general-purpose keys. When you generate RSA key pairs (via the **crypto key generate rsa** command), you will be prompted to select either usage keys or general-purpose keys.

#### Usage RSA Keys

Usage keys consist of two RSA key pairs--one RSA key pair is generated and used for encryption and one RSA key pair is generated and used for signatures. With usage keys, each key is not unnecessarily exposed. (Without usage keys, one key is used for both authentication methods, increasing the exposure of that key.)

#### General-Purpose RSA Keys

General-purpose keys consist of only one RSA key pair that used for both encryption and signatures. General-purpose key pairs are used more frequently than usage key pairs.



## How RSA Key Pairs are Associated with a Trustpoint

A trustpoint, also known as the certificate authority (CA), manages certificate requests and issues certificates to participating network devices. These services provide centralized key management for the participating devices and are explicitly trusted by the receiver to validate identities and to create digital certificates. Before any PKI operations can begin, the CA generates its own public key pair and creates a self-signed CA certificate; thereafter, the CA can sign certificate requests and begin peer enrollment for the PKI.

**Caution**

Do not manually generate an rsa keypair under trustpoint. If we want to manually generate the keys, generate the key pairs as usage-keys and not as general-purpose keys.

## Reasons to Store Multiple RSA Keys on a Router

Configuring multiple RSA key pairs allows the Cisco IOS software to maintain a different key pair for each CA with which it is dealing or the software can maintain multiple key pairs and certificates with the same CA. As a result, the Cisco IOS software can match policy requirements for each CA without compromising the requirements specified by the other CAs, such as key length, key lifetime, and general-purpose versus usage keys.

Named key pairs (which are specified via the **label** *key-label* option) allow you to have multiple RSA key pairs, enabling the Cisco IOS software to maintain a different key pair for each identity certificate.

## Benefits of Exportable RSA Keys

**Caution**

Exportable RSA keys should be carefully evaluated before use because using exportable RSA keys introduces the risk that these keys might be exposed. Any existing RSA keys are not exportable. New keys are generated as nonexportable by default. It is not possible to convert an existing nonexportable key to an exportable key.

As of Cisco IOS Release 12.2(15)T, users can share the private RSA key pair of a router with standby routers, therefore transferring the security credentials between networking devices. The key pair that is shared between two routers will allow one router to immediately and transparently take over the functionality of the other router. If the main router were to fail, the standby router could be dropped into the network to replace the failed router without the need to regenerate keys, reenroll with the CA, or manually redistribute keys.

Exporting and importing an RSA key pair also enables users to place the same RSA key pair on multiple routers so that all management stations using Secure Shell (SSH) can be configured with a single public RSA key.

### Exportable RSA Keys in PEM-Formatted Files

Using privacy-enhanced mail (PEM)-formatted files to import or export RSA keys can be helpful for customers who are running Cisco IOS software Release 12.3(4)T or later and who are using secure socket layer (SSL) or secure shell (SSH) applications to manually generate RSA key pairs and import the keys back into their PKI applications. PEM-formatted files allow customers to directly use existing RSA key pairs on their Cisco IOS routers instead of generating new keys.

## Passphrase Protection While Importing and Exporting RSA Keys

You have to include a passphrase to encrypt the PKCS12 file or the PEM file that will be exported, and when the PKCS12 or PEM file is imported, the same passphrase has to be entered to decrypt it. Encrypting the PKCS12 or PEM file when it is being exported, deleted, or imported protects the file from unauthorized access and use while it is being transported or stored on an external device.

The passphrase can be any phrase that is at least eight characters in length; it can include spaces and punctuation, excluding the question mark (?), which has special meaning to the Cisco IOS parser.

### How to Convert an Exportable RSA Key Pair to a Nonexportable RSA Key Pair

Passphrase protection protects the external PKCS12 or PEM file from unauthorized access and use. To prevent an RSA key pair from being exported, it must be labeled “nonexportable.” To convert an exportable RSA key pair into a nonexportable key pair, the key pair must be exported and then reimported without specifying the “exportable” keyword.

## How to Set Up and Deploy RSA Keys Within a PKI

### Generating an RSA Key Pair

Perform this task to manually generate an RSA key pair.

#### SUMMARY STEPS

1. **enable**
2. **configure terminal**
3. **crypto key generate rsa** [**general-keys** | **usage-keys** | **signature** | **encryption**] [**label** *key-label*] [**exportable**] [**modulus** *modulus-size*] [**storage** *devicename:*] [**on** *devicename:*]
4. **exit**
5. **show crypto key mypubkey rsa**

#### DETAILED STEPS

	Command or Action	Purpose
<b>Step 1</b>	<b>enable</b>  <b>Example:</b> Router> enable	Enables privileged EXEC mode. <ul style="list-style-type: none"> <li>• Enter your password if prompted.</li> </ul>
<b>Step 2</b>	<b>configure terminal</b>  <b>Example:</b> Router# configure terminal	Enters global configuration mode.

	Command or Action	Purpose
<b>Step 3</b>	<p><b>crypto key generate rsa</b> [<b>general-keys</b>   <b>usage-keys</b>   <b>signature</b>   <b>encryption</b>] [<b>label</b> <i>key-label</i>] [<b>exportable</b>] [<b>modulus</b> <i>modulus-size</i>] [<b>storage</b> <i>devicename:</i>] [<b>on</b> <i>devicename:</i>]</p> <p><b>Example:</b></p> <pre>Router(config)# crypto key generate rsa usage-keys modulus 2048</pre>	<p>(Optional) Generates the RSA key pair for the certificate server.</p> <ul style="list-style-type: none"> <li>The <b>storage</b> keyword specifies the key storage location.</li> <li>When specifying a label name by specifying the <i>key-label</i> argument, you must use the same name for the label that you plan to use for the certificate server (through the <b>crypto pki server</b> <i>cs-label</i> command). If a <i>key-label</i> argument is not specified, the default value, which is the fully qualified domain name (FQDN) of the router, is used.</li> </ul> <p>If the exportable RSA key pair is manually generated after the CA certificate has been generated, and before issuing the <b>no shutdown</b> command, then use the <b>crypto ca export pkcs12</b> command to export a PKCS12 file that contains the certificate server certificate and the private key.</p> <ul style="list-style-type: none"> <li>By default, the modulus size of a CA key is 1024 bits. The recommended modulus for a CA key is 2048 bits. The range for a modulus size of a CA key is from 360 to 4096 bits.</li> <li>The <b>on</b> keyword specifies that the RSA key pair is created on the specified device, including a Universal Serial Bus (USB) token, local disk, or NVRAM. The name of the device is followed by a colon (:).</li> </ul> <p><b>Note</b> Keys created on a USB token must be 2048 bits or less.</p> <p><b>Caution</b> Do not manually generate an rsa keypair under trustpoint. If we want to manually generate the keys, generate the key pairs as usage-keys and not as general-purpose keys.</p>
<b>Step 4</b>	<p><b>exit</b></p> <p><b>Example:</b></p> <pre>Router(config)# exit</pre>	Exits global configuration mode.
<b>Step 5</b>	<p><b>show crypto key mypubkey rsa</b></p> <p><b>Example:</b></p> <pre>Router# show crypto key mypubkey rsa</pre>	<p>(Optional) Displays the RSA public keys of your router.</p> <p>This step allows you to verify that the RSA key pair has been successfully generated.</p>

## What to Do Next

After you have successfully generated an RSA key pair, you can proceed to any of the additional tasks in this module to generate additional RSA key pairs, perform export and import of RSA key pairs, or configure additional security parameters for the RSA key pair (such as encrypting or locking the private key).

## Managing RSA Key Pairs and Trustpoint Certificates

Perform this task to configure the router to generate and store multiple RSA key pairs, associate the key pairs with a trustpoint, and get the certificates for the router from the trustpoint.

### Before You Begin

You must have already generated an RSA key pair as shown in the task “Generating an RSA Key Pair task.”

### SUMMARY STEPS

1. **enable**
2. **configure terminal**
3. **crypto pki trustpoint** *name*
4. **rsa** *key-label* [*key-size* [*encryption-key-size*]]
5. **enrollment selfsigned**
6. **subject-alt-name** *name*
7. **exit**
8. **crypto pki enroll** *name*
9. **exit**
10. **show crypto key mypubkey rsa**

### DETAILED STEPS

	Command or Action	Purpose
<b>Step 1</b>	<b>enable</b>  <b>Example:</b> Router> enable	Enables privileged EXEC mode.  <ul style="list-style-type: none"> <li>• Enter your password if prompted.</li> </ul>
<b>Step 2</b>	<b>configure terminal</b>  <b>Example:</b> Router# configure terminal	Enters global configuration mode.
<b>Step 3</b>	<b>crypto pki trustpoint</b> <i>name</i>  <b>Example:</b> Router(config)# crypto pki trustpoint TESTCA	Creates a trustpoint and enters ca-trustpoint configuration mode.
<b>Step 4</b>	<b>rsa</b> <i>key-label</i> [ <i>key-size</i> <i>[encryption-key-size]</i> ]	(Optional) The <i>key-label</i> argument specifies the name of the RSA key pair generated during enrollment (if it does not already exist or if the <b>auto-enroll regenerate</b> command is configured) to be used with the

	Command or Action	Purpose
	<p><b>Example:</b></p> <pre>Router(ca-trustpoint)# rsakeypair fancy-keys</pre>	<p>trustpoint certificate. By default, the fully qualified domain name (FQDN) key is used.</p> <ul style="list-style-type: none"> <li>• (Optional) The <i>key-size</i> argument specifies the size of the RSA key pair. The recommended key size is 2048 bits.</li> <li>• (Optional) The <i>encryption-key-size</i> argument specifies the size of the second key, which is used to request separate encryption, signature keys, and certificates.</li> </ul>
<b>Step 5</b>	<p><b>enrollment selfsigned</b></p> <p><b>Example:</b></p> <pre>Router(ca-trustpoint)# enrollment selfsigned</pre>	(Optional) Specifies self-signed enrollment for a trustpoint.
<b>Step 6</b>	<p><b>subject-alt-name</b> <i>name</i></p> <p><b>Example:</b></p> <pre>Router(ca-trustpoint)# subject-alt-name TESTCA</pre>	<p>(Optional) The <i>name</i> argument specifies the trustpoint's name in the Subject Alternative Name (subjectAltName) field in the X.509 certificate, which is contained in the trustpoint certificate. By default, the Subject Alternative Name field is not included in the certificate.</p> <p><b>Note</b> This X.509 certificate field is defined in RFC 2511.</p> <p>This option is used to create a self-signed trustpoint certificate for the router that contains the trustpoint name in the Subject Alternative Name (subjectAltName) field. This Subject Alternative Name can be used only when the <b>enrollment selfsigned</b> command is specified for self-signed enrollment in the trustpoint policy.</p>
<b>Step 7</b>	<p><b>exit</b></p> <p><b>Example:</b></p> <pre>Router (ca-trustpoint)# exit</pre>	Exits ca-trustpoint configuration mode.
<b>Step 8</b>	<p><b>crypto pki enroll</b> <i>name</i></p> <p><b>Example:</b></p> <pre>Router(config)# crypto pki enroll TESTCA</pre> <p><b>Example:</b></p> <pre>% Include the router serial number in the subject name? [yes/no]: no</pre>	<p>Requests the certificates for the router from the trustpoint.</p> <p>The <i>name</i> argument specifies the trustpoint name. Once this command is entered, answer the prompts.</p> <p><b>Note</b> Use the same trustpoint name entered with the <b>crypto pki trustpoint</b> command.</p>

	Command or Action	Purpose
	<p><b>Example:</b></p> <pre>% Include an IP address in the subject name? [no]:</pre> <p><b>Example:</b></p> <pre>Generate Self Signed Router Certificate? [yes/no]: yes</pre> <p><b>Example:</b></p> <pre>Router Self Signed Certificate successfully created</pre>	
<b>Step 9</b>	<p><b>exit</b></p> <p><b>Example:</b></p> <pre>Router(config)# exit</pre>	Exits global configuration mode.
<b>Step 10</b>	<p><b>show crypto key mypubkey rsa</b></p> <p><b>Example:</b></p> <pre>Router# show crypto key mypubkey rsa</pre>	<p>(Optional) Displays the RSA public keys of your router.</p> <p>This step allows you to verify that the RSA key pair has been successfully generated.</p>

### Example

The following example shows how to create a self-signed trustpoint certificate for the router that contains the trustpoint name in the Subject Alternative Name (subjectAltName) field:

```
Router> enable
Router# configure terminal
Router(config)#crypto pki trustpoint TESTCA
Router(ca-trustpoint)#hash sha256
Router(ca-trustpoint)#rsakeypair testca-rsa-key 2048
Router(ca-trustpoint)#exit
Router(config)#crypto pki enroll TESTCA
% Include the router serial number in the subject name? [yes/no]:no
% Include an IP address in the subject name? [no]: no
Generate Self Signed Router Certificate? [yes/no]: yes
```

```
Router Self Signed Certificate successfully created
```

```
Router(config)#
Router(config)#exit
Router#
```

The following certificate is created:

```
Router#show crypto pki certificate verbose Router Self-Signed Certificate
Status: Available
Version: 3
```

```

Certificate Serial Number (hex): 01
Certificate Usage: General Purpose
Issuer:
  hostname=Router.cisco.com
Subject:
  Name: Router.cisco.com
  hostname=Router.cisco.com
Validity Date:
  start date: 11:41:50 EST Aug 13 2012
  end date: 19:00:00 EST Dec 31 2019
Subject Key Info:
  Public Key Algorithm: rsaEncryption
  RSA Public Key: (2048 bit)
Signature Algorithm: SHA256 with RSA Encryption
Fingerprint MD5: CA92D937 593BF19A 5B7F8466 F554D631
Fingerprint SHA1: 57A9D411 2DDFAC81 68260F2F C6C8D7CF 4833F3E9
X509v3 extensions:
  X509v3 Subject Key ID: 44340F76 A6B8DC37 80724650 0672875F 741D518C
  X509v3 Basic Constraints:
    CA: TRUE
  X509v3 Authority Key ID: 44340F76 A6B8DC37 80724650 0672875F 741D518C
  Authority Info Access:
  Associated Trustpoints: TESTCA

```

```

-----BEGIN CERTIFICATE-----
MIIBszCCA2gAwIBAgIBAgIBANBgkqhkiG9w0BAQQFADAUQ8wDQYDVQQDEwZURVNU
Q0ExGzAZBgkqhkiG9w0BCQIWDHlxLmNpc2NvLmNvbTAeFw0xMDAzMjIyMDI2MjBa
Fw0yMDAxMDEwMDAwMDBaMC4xZDZANBgNVBAMTB1RFU1RDQTEbMBkGCSqGSIb3DQEJ
AhYMcjEuY21zY28uY29tMFwwDQYJKoZIhvcNAQEBBQADSwAwSAJBAl1xLjvrouLz
RNm8qYWI9Km9yX/wafXndY8A8o4+L8pexQhDLYyiaq7OoK6CYWH/ToyPidFW2DU0
t5WTGnIDcfsCAwEAAANmMGQwDwYDVR0TAAQH/BAUwAwEB/zARBgNVHREECjAIGgZU
RVNUQ0EwHwYDVR0jBBgwFoAU+aSVh1+kyn1l+r44IFUY+Uxs1fMwHQYDVR0OBBYE
FPmk1YdfpMp9Zfq+OCBVGP1MbNXzMA0GCSqGSIb3DQEBBAAUAA0EAbZLnqKUaWu8T
WA1beReTQTfJLZ8ao/U6cwXN0QKEQ37ghAdGVf1FWVG6JUHV2OENNUQHXYXNUWZ
4oBuU+U1dg==
-----END CERTIFICATE-----

```

## Exporting and Importing RSA Keys

This section contains the following tasks that can be used for exporting and importing RSA keys. Whether you are using PKCS12 files or PEM files, exportable RSA keys allow you to use existing RSA keys on Cisco IOS routers instead of having to generate new RSA keys if the main router were to fail.

### Exporting and Importing RSA Keys in PKCS12 Files

Exporting and importing RSA key pairs enables users to transfer security credentials between devices. The key pair that is shared between two devices allows one device to immediately and transparently take over the functionality of the other router.

#### Before You Begin

You must generate an RSA key pair and mark it “exportable” as specified in the “Generating an RSA Key Pair” task.

**Note**

- You cannot export RSA keys that existed on the router before your system was upgraded to Cisco IOS Release 12.2(15)T or later. You have to generate new RSA keys and label them as “exportable” after you upgrade the Cisco IOS software.
- When you import a PKCS12 file that was generated by a third-party application, the PKCS12 file must include a CA certificate.
- If you want reexport an RSA key pair after you have already exported the key pair and imported them to a target router, you must specify the **exportable** keyword when you are importing the RSA key pair.
- The largest RSA key a router may import is 2048-bits.

&gt;

**SUMMARY STEPS**

1. **crypto pki trustpoint** *name*
2. **rsakeypair** *key-label* [*key-size* [*encryption-key-size*]]
3. **exit**
4. **crypto pki export** *trustpointname* **pkcs12** *destination-url* **password** *password-phrase*
5. **crypto pki import** *trustpointname* **pkcs12** *source-url* **password** *password-phrase*
6. **exit**
7. **show crypto key mypubkey rsa**

**DETAILED STEPS**

	Command or Action	Purpose
<b>Step 1</b>	<b>crypto pki trustpoint</b> <i>name</i>  <b>Example:</b> Router(config)# crypto pki trustpoint my-ca	Creates the trustpoint name that is to be associated with the RSA key pair and enters ca-trustpoint configuration mode.
<b>Step 2</b>	<b>rsakeypair</b> <i>key-label</i> [ <i>key-size</i> [ <i>encryption-key-size</i> ]]  <b>Example:</b> Router(ca-trustpoint)# rsakeypair my-keys	Specifies the key pair that is to be used with the trustpoint.
<b>Step 3</b>	<b>exit</b>  <b>Example:</b> Router(ca-trustpoint)# exit	Exits ca-trustpoint configuration mode.



	Command or Action	Purpose
Step 4	<p><b>crypto pki export</b> <i>trustpointname</i> <b>pkcs12</b> <i>destination-url</i> <b>password</b> <i>password-phrase</i></p> <p><b>Example:</b></p> <pre>Router(config)# crypto pki export my-ca pkcs12 tftp://tftpserver/my-keys password mypassword123</pre>	<p>Exports the RSA keys through the trustpoint name.</p> <ul style="list-style-type: none"> <li>• The <i>trustpointname</i> argument enters the name of the trustpoint that issues the certificate that a user is going to export. When exporting the PKCS12 file, the trustpoint name is the RSA key name.</li> <li>• The <i>destination-url</i> argument enters the file system location of the PKCS12 file to which a user wants to import the RSA key pair. See the <a href="#">crypto pki export pkcs12 password</a> command page for more information.</li> <li>• The <i>password -phrase</i> argument must be entered to encrypt the PKCS12 file for export.</li> </ul>
Step 5	<p><b>crypto pki import</b> <i>trustpointname</i> <b>pkcs12</b> <i>source-url</i> <b>password</b> <i>password-phrase</i></p> <p><b>Example:</b></p> <pre>Router(config)# crypto pki import my-ca pkcs12 tftp://tftpserver/my-keys password mypassword123</pre>	<p>Imports the RSA keys to the target router.</p> <ul style="list-style-type: none"> <li>• The <i>trustpointname</i> argument enters the name of the trustpoint that issues the certificate that a user is going to export or import. When importing, the trustpoint becomes the RSA key name.</li> <li>• The <i>source-url</i> argument specifies the file system location of the PKCS12 file to which a user wants to export the RSA key pair. See the <a href="#">crypto pki import pkcs12 password</a> command page for more information.</li> <li>• The <i>password -phrase</i> must be entered to undo encryption when the RSA keys are imported.</li> </ul>
Step 6	<p><b>exit</b></p> <p><b>Example:</b></p> <pre>Router(config)# exit</pre>	<p>Exits global configuration mode.</p>
Step 7	<p><b>show crypto key mypubkey rsa</b></p> <p><b>Example:</b></p> <pre>Router# show crypto key mypubkey rsa</pre>	<p>(Optional) Displays the RSA public keys of your router.</p>

## Exporting and Importing RSA Keys in PEM-Formatted Files

Perform this task to export or import RSA key pairs in PEM files.

### Before You Begin

You must generate an RSA key pair and mark it “exportable” as specified the “Generating an RSA Key Pair” task.

**Note**

- You cannot export and import RSA keys that were generated without an exportable flag before your system was upgraded to Cisco IOS Release 12.3(4)T or a later release. You have to generate new RSA keys after you upgrade the Cisco IOS software.
- The largest RSA key a router may import is 2048 bits.

**Note**

Security threats, as well as the cryptographic technologies to help protect against them, are constantly changing. For more information about the latest Cisco cryptographic recommendations, see the [Next Generation Encryption](#) (NGE) white paper.

**SUMMARY STEPS**

1. **crypto key generate rsa** {usage-keys | general-keys} label *key-label* [exportable]
2. **crypto pki export trustpoint pem** {terminal | url *destination-url*} {3des | des} password *password-phrase*
3. **crypto pki import trustpoint pem** [check | exportable | *usage-keys*] {terminal | url *source-url*} password *password-phrase*
4. **exit**
5. **show crypto key mypubkey rsa**

**DETAILED STEPS**

	Command or Action	Purpose
<b>Step 1</b>	<b>crypto key generate rsa</b> {usage-keys   general-keys} label <i>key-label</i> [exportable]  <b>Example:</b>  <pre>Router(config)# crypto key generate rsa general-keys label mykey exportable</pre>	Generates the RSA key pair.  To use PEM files, the RSA key pair must be labeled exportable.
<b>Step 2</b>	<b>crypto pki export trustpoint pem</b> {terminal   url <i>destination-url</i> } {3des   des} password <i>password-phrase</i>  <b>Example:</b>  <pre>Router(config)# crypto pki export mys pem url nvram: 3des password mypassword123</pre>	Exports the certificates and RSA keys that are associated with a trustpoint in a PEM-formatted file. <ul style="list-style-type: none"> <li>• Enter the <i>trustpoint</i> name that is associated with the exported certificate and RSA key pair. The trustpoint name must match the name that was specified through the <b>crypto pki trustpoint</b> command</li> <li>• Use the <b>terminal</b> keyword to specify the certificate and RSA key pair that is displayed in PEM format on the console terminal.</li> <li>• Use the <b>url</b> keyword and <i>destination -url</i> argument to specify the URL of the file system where your router should export the certificates and RSA key pair.</li> </ul>

	Command or Action	Purpose
		<ul style="list-style-type: none"> <li>• (Optional) the <b>3des</b> keyword exports the trustpoint using the Triple Data Encryption Standard (3DES) encryption algorithm.</li> <li>• (Optional) the <b>des</b> keyword exports the trustpoint using the DES encryption algorithm.</li> <li>• Use the <i>password-phrase</i> argument to specify the encrypted password phrase that is used to encrypt the PEM file for import.</li> </ul> <p><b>Tip</b> Be sure to keep the PEM file safe. For example, you may want to store it on another backup router.</p>
<p><b>Step 3</b></p>	<p><b>crypto pki import trustpoint pem</b>  <b>[check   exportable   usage-keys]</b>  <b>{terminal   url source-url}</b>  <b>passwordpassword-phrase</b></p> <p><b>Example:</b></p> <pre>Router(config)# crypto pki import   mycs2 pem url nvram: password   mypassword123</pre>	<p>Imports certificates and RSA keys to a trustpoint from PEM-formatted files.</p> <ul style="list-style-type: none"> <li>• Enter the <i>trustpoint</i> name that is associated with the imported certificate and RSA key pair. The trustpoint name must match the name that was specified through the <b>crypto pki trustpoint</b> command</li> <li>• (Optional) Use the <b>check</b> keyword to specify that an outdated certificate is not allowed.</li> <li>• (Optional) Use the <b>exportable</b> keyword to specify that the imported RSA key pair can be exported again to another Cisco device such as a router.</li> <li>• (Optional) Use the <i>usage-keys</i> argument to specify that two RSA special usage key pairs will be imported (that is, one encryption pair and one signature pair), instead of one general-purpose key pair.</li> <li>• Use the <i>source-url</i> argument to specify the URL of the file system where your router should import the certificates and RSA key pairs.</li> <li>• Use the <i>password-phrase</i> argument to specify the encrypted password phrase that is used to encrypt the PEM file for import.</li> </ul> <p><b>Note</b> The password phrase can be any phrase that is at least eight characters in length; it can include spaces and punctuation, excluding the question mark (?), which has special meaning to the Cisco IOS parser.</p> <p><b>Note</b> If you do not want the key to be exportable from your CA, import it back to the CA after it has been exported as a nonexportable key pair. Thus, the key cannot be taken off again.</p>
<p><b>Step 4</b></p>	<p><b>exit</b></p> <p><b>Example:</b></p> <pre>Router(config)# exit</pre>	<p>Exits global configuration mode.</p>
<p><b>Step 5</b></p>	<p><b>show crypto key mypubkey rsa</b></p> <p><b>Example:</b></p> <pre>Router# show crypto key mypubkey rsa</pre>	<p>(Optional) Displays the RSA public keys of your router.</p>

## Encrypting and Locking Private Keys on a Router

Digital signatures are used to authenticate one device to another device. To use digital signatures, private information (the private key) must be stored on the device that is providing the signature. The stored private information may aid an attacker who steals the hardware device that contains the private key; for example, a thief might be able to use the stolen router to initiate a secure connection to another site by using the RSA private keys stored in the router.




---

**Note** RSA keys are lost during password recovery operations. If you lose your password, the RSA keys will be deleted when you perform the password recovery operation. (This function prevents an attacker from performing password recovery and then using the keys.)

---

To protect the private RSA key from an attacker, a user can encrypt the private key that is stored in NVRAM via a passphrase. Users can also “lock” the private key, which blocks new connection attempts from a running router and protects the key in the router if the router is stolen by an attempted attacker.

Perform this task to encrypt and lock the private key that is saved to NVRAM.




---

**Note** The RSA keys must be unlocked while enrolling the CA. The keys can be locked while authenticating the router with the CA because the private key of the router is not used during authentication.

---

### Before You Begin

Before encrypting or locking a private key, you should perform the following tasks:

- Generate an RSA key pair as shown in the task “[Generating an RSA Key Pair, on page 14.](#)”
- Optionally, you can authenticate and enroll each router with the CA server.




---

**Note** **Backward Compatibility Restriction**

Any image prior to Cisco IOS Release 12.3(7)T does not support encrypted keys. To prevent your router from losing all encrypted keys, ensure that only unencrypted keys are written to NVRAM before booting an image prior to Cisco IOS Release 12.3(7)T.

If you must download an image prior to Cisco IOS Release 12.3(7)T, decrypt the key and immediately save the configuration so the downloaded image does not overwrite the configuration.

### Interaction with Applications

An encrypted key is not effective after the router boots up until you manually unlock the key (via the **crypto key unlock rsa** command). Depending on which key pairs are encrypted, this functionality may adversely affect applications such as IP security (IPsec), SSH, and SSL; that is, management of the router over a secure channel may not be possible until the necessary key pair is unlocked.

>

---

## SUMMARY STEPS

1. `crypto key encrypt [write] rsa [name key-name] passphrase passphrase`
2. `exit`
3. `show crypto key mypubkey rsa`
4. `crypto key lock rsa name key-name ] passphrase passphrase`
5. `show crypto key mypubkey rsa`
6. `crypto key unlock rsa [name key-name] passphrase passphrase`
7. `configure terminal`
8. `crypto key decrypt [write] rsa [namekey-name ] passphrase passphrase`

## DETAILED STEPS

	Command or Action	Purpose
<b>Step 1</b>	<pre>crypto key encrypt [write] rsa [name key-name] passphrase passphrase</pre> <p><b>Example:</b></p> <pre>Router(config)# crypto key encrypt write rsa name pki.example.com passphrase password</pre>	<p>Encrypts the RSA keys.</p> <p>After this command is issued, the router can continue to use the key; the key remains unlocked.</p> <p><b>Note</b> If the <b>write</b> keyword is not issued, the configuration must be manually written to NVRAM; otherwise, the encrypted key will be lost next time the router is reloaded.</p>
<b>Step 2</b>	<p><b>exit</b></p> <p><b>Example:</b></p> <pre>Router(config)# exit</pre>	<p>Exits global configuration mode.</p>
<b>Step 3</b>	<p><b>show crypto key mypubkey rsa</b></p> <p><b>Example:</b></p> <pre>Router# show crypto key mypubkey rsa</pre>	<p>(Optional) Shows that the private key is encrypted (protected) and unlocked.</p> <p><b>Note</b> You can also use this command to verify that applications such as Internet Key Exchange (IKE) and SSH are properly working after the key has been encrypted.</p>
<b>Step 4</b>	<pre>crypto key lock rsa name key-name ] passphrase passphrase</pre> <p><b>Example:</b></p> <pre>Router# crypto key lock rsa name pki.example.com passphrase password</pre>	<p>(Optional) Locks the encrypted private key on a running router.</p> <p><b>Note</b> After the key is locked, it cannot be used to authenticate the router to a peer device. This behavior disables any IPSec or SSL connections that use the locked key. Any existing IPSec tunnels created on the basis of the locked key will be closed. If all RSA keys are locked, SSH will automatically be disabled.</p>
<b>Step 5</b>	<p><b>show crypto key mypubkey rsa</b></p> <p><b>Example:</b></p> <pre>Router# show crypto key mypubkey rsa</pre>	<p>(Optional) Shows that the private key is protected and locked.</p> <p>The output will also show failed connection attempts via applications such as IKE, SSH, and SSL.</p>

	Command or Action	Purpose
<b>Step 6</b>	<b>crypto key unlock rsa [name <i>key-name</i>] passphrase <i>passphrase</i></b>  <b>Example:</b>  <pre>Router# crypto key unlock rsa name pki.example.com passphrase password</pre>	(Optional) Unlocks the private key.  <b>Note</b> After this command is issued, you can continue to establish IKE tunnels.
<b>Step 7</b>	<b>configure terminal</b>  <b>Example:</b>  <pre>Router# configure terminal</pre>	Enters global configuration mode.
<b>Step 8</b>	<b>crypto key decrypt [write] rsa [name <i>key-name</i>] ] passphrase <i>passphrase</i></b>  <b>Example:</b>  <pre>Router(config)# crypto key decrypt write rsa name pki.example.com passphrase password</pre>	(Optional) Deletes the encrypted key and leaves only the unencrypted key.  <b>Note</b> The <b>write</b> keyword immediately saves the unencrypted key to NVRAM. If the <b>write</b> keyword is not issued, the configuration must be manually written to NVRAM; otherwise, the key will remain encrypted the next time the router is reloaded.

## Removing RSA Key Pair Settings

An RSA key pair may need to be removed for one of the following reasons:

- During manual PKI operations and maintenance, old RSA keys can be removed and replaced with new keys.
- An existing CA is replaced and the new CA requires newly generated keys; for example, the required key size might have changed in an organization so you would have to delete the old 1024-bit keys and generate new 2048-bit keys.
- The peer router's public keys can be deleted in order to help debug signature verification problems in IKEv1 and IKEv2. Keys are cached by default with the lifetime of the certificate revocation list (CRL) associated with the trustpoint.

Perform this task to remove all RSA keys or the specified RSA key pair that has been generated by your router.

## SUMMARY STEPS

1. **enable**
2. **configure terminal**
3. **crypto key zeroize rsa [key-pair-label]**
4. **crypto key zeroize pubkey-chain [index]**
5. **exit**
6. **show crypto key mypubkey rsa**

## DETAILED STEPS

	Command or Action	Purpose
<b>Step 1</b>	<b>enable</b>  <b>Example:</b> Router> enable	Enables privileged EXEC mode. <ul style="list-style-type: none"> <li>• Enter your password if prompted.</li> </ul>
<b>Step 2</b>	<b>configure terminal</b>  <b>Example:</b> Router# configure terminal	Enters global configuration mode.
<b>Step 3</b>	<b>crypto key zeroize rsa [key-pair-label]</b>  <b>Example:</b> Router(config)# crypto key zeroize rsa fancy-keys	Deletes RSA key pairs from your router. <ul style="list-style-type: none"> <li>• If the <i>key-pair-label</i> argument is not specified, all RSA keys that have been generated by your router will be deleted.</li> </ul>
<b>Step 4</b>	<b>crypto key zeroize pubkey-chain [index]</b>  <b>Example:</b> Router(config)# crypto key zeroize pubkey-chain	Deletes the remote peer's public key from the cache.  (Optional) Use the <i>index</i> argument to delete a particular public key index entry. If no index entry is specified, then all the entries are deleted. The acceptable range of index entries is from 1 to 65535.
<b>Step 5</b>	<b>exit</b>  <b>Example:</b> Router(config)# exit	Exits global configuration mode.
<b>Step 6</b>	<b>show crypto key mypubkey rsa</b>  <b>Example:</b> Router# show crypto key mypubkey rsa	(Optional) Displays the RSA public keys of your router.  This step allows you to verify that the RSA key pair has been successfully generated.

# Configuration Examples for RSA Key Pair Deployment

## Generating and Specifying RSA Keys Example

The following example is a sample trustpoint configuration that shows how to generate and specify the RSA key pair “exampleCAkeys”:

```
crypto key generate rsa general-purpose exampleCAkeys
crypto ca trustpoint exampleCAkeys
  enroll url http://exampleCAkeys/certsrv/mscep/mscep.dll
  rsakeypair exampleCAkeys 1024 1024
```

## Exporting and Importing RSA Keys Examples

### Exporting and Importing RSA Keys in PKCS12 Files Example

In the following example, an RSA key pair “mynewkp” is generated on Router A, and a trustpoint name “mynewtp” is created and associated with the RSA key pair. The trustpoint is exported to a TFTP server, so that it can be imported on Router B. By importing the trustpoint “mynewtp” to Router B, the user has imported the RSA key pair “mynewkp” to Router B.

#### Router A

```
crypto key generate rsa general label mykeys exportable
! The name for the keys will be:mynewkp
Choose the size of the key modulus in the range of 360 to 2048 for your
General Purpose Keys. Choosing a key modulus greater than 512 may take
a few minutes.
How many bits in the modulus [512]: 2048
% Generating 2048 bit RSA keys ...[OK]
!
crypto pki trustpoint mynewtp
  rsakeypair mykeys
  exit
crypto pki export mytp pkcs12 flash:myexport password mypassword123
Destination filename [myexport]?
Writing pkcs12 file to tftp:/mytftpserver/myexport
CRYPTO_PKI:Exported PKCS12 file successfully.
Verifying checksum... OK (0x3307)
!
July 8 17:30:09 GMT:%CRYPTO-6-PKCS12EXPORT_SUCCESS:PKCS #12 Successfully Exported.
```

#### Router B

```
crypto pki import mynewtp pkcs12 flash:myexport password mypassword123
Source filename [myexport]?
CRYPTO_PKI:Imported PKCS12 file successfully.
!
July 8 18:07:50 GMT:%CRYPTO-6-PKCS12IMPORT_SUCCESS:PKCS #12 Successfully Imported.
```



## Exporting and Importing and RSA Keys in PEM Files Example

The following example shows the generation, exportation, and importation of the RSA key pair "mytp", and verifies its status:

```

! Generate the key pair
!
Router(config)# crypto key generate rsa general-purpose label mytp exportable

The name for the keys will be: mytp
Choose the size of the key modulus in the range of 360 to 2048 for your
General Purpose Keys. Choosing a key modulus greater than 512 may take a few minutes.
How many bits in the modulus [512]: 2048
% Generating 2048 bit RSA keys ...[OK]
!
! Archive the key pair to a remote location, and use a good password.
!
Router(config)# crypto pki export mytp pem url nvram:mytp 3des password mypassword123

% Key name:mytp
Usage:General Purpose Key
Exporting public key...
Destination filename [mytp.pub]?
Writing file to nvram:mytp.pub
Exporting private key...
Destination filename [mytp.prv]?
Writing file to nvram:mytp.prv
!
! Import the key as a different name.
!
Router(config)# crypto pki import mytp2 pem url nvram:mytp2 password mypassword123

% Importing public key or certificate PEM file...
Source filename [mytp2.pub]?
Reading file from nvram:mytp2.pub
% Importing private key PEM file...
Source filename [mytp2.prv]?
Reading file from nvram:mytp2.prv% Key pair import succeeded.
!
! After the key has been imported, it is no longer exportable.
!
! Verify the status of the key.
!
Router# show crypto key mypubkey rsa

% Key pair was generated at:18:04:56 GMT Jun 6 2011
Key name:mycs
Usage:General Purpose Key
Key is exportable.
Key Data:
30819F30 0D06092A 864886F7 0D010101 05000381 8D003081 89028181 00E65253
9C30C12E 295AB73F B1DF9FAD 86F88192 7D4FA4D2 8BA7FB49 9045BAB9 373A31CB
A6B1B8F4 329F2E7E 8A50997E AADBCFAA 23C29E19 C45F4F05 DBB2FA51 4B7E9F79
A1095115 759D6BC3 5DFB5D7F BCF655BF 6317DB12 A8287795 7D8DC6A3 D31B2486
C9C96D2C 2F70B50D 3B4CDDAE F661041A 445AE11D 002EEF08 F2A627A0 5B020301 0001
% Key pair was generated at:18:17:25 GMT Jun 6 2011
Key name:mycs2
Usage:General Purpose Key
Key is not exportable.
Key Data:
30819F30 0D06092A 864886F7 0D010101 05000381 8D003081 89028181 00E65253
9C30C12E 295AB73F B1DF9FAD 86F88192 7D4FA4D2 8BA7FB49 9045BAB9 373A31CB
A6B1B8F4 329F2E7E 8A50997E AADBCFAA 23C29E19 C45F4F05 DBB2FA51 4B7E9F79
A1095115 759D6BC3 5DFB5D7F BCF655BF 6317DB12 A8287795 7D8DC6A3 D31B2486
C9C96D2C 2F70B50D 3B4CDDAE F661041A 445AE11D 002EEF08 F2A627A0 5B020301 0001

```

## Exporting Router RSA Key Pairs and Certificates from PEM Files Example

The following example shows how to generate and export the RSA key pair “aaa” and certificates of the router in PEM files that are associated with the trustpoint “mycs.” This example also shows PEM-formatted files, which include PEM boundaries before and after the base64-encoded data, that are used by other SSL and SSH applications.

```
Router(config)# crypto key generate rsa general-keys label aaa exportable

The name for the keys will be:aaa
Choose the size of the key modulus in the range of 360 to 2048 for your General Purpose
Keys. Choosing a key modulus greater than 512 may take a few minutes.
!
How many bits in the modulus [512]:
% Generating 512 bit RSA keys ...[OK]
!
Router(config)# crypto pki trustpoint mycs

Router(ca-trustpoint)# enrollment url http://mycs

Router(ca-trustpoint)#
rsakeypair aaa

Router(ca-trustpoint)# exit

Router(config)# crypto pki authenticate mycs

Certificate has the following attributes:
Fingerprint:C21514AC 12815946 09F635ED FBB6CF31
% Do you accept this certificate? [yes/no]: y
Trustpoint CA certificate accepted.
!
Router(config)# crypto pki enroll mycs

%
% Start certificate enrollment ..
% Create a challenge password. You will need to verbally provide this password to the CA
Administrator in order to revoke your certificate.
For security reasons your password will not be saved in the configuration.
Please make a note of it.
Password:
Re-enter password:
% The fully-qualified domain name in the certificate will be: Router
% The subject name in the certificate will be:host.example.com
% Include the router serial number in the subject name? [yes/no]: n
% Include an IP address in the subject name? [no]: n
Request certificate from CA? [yes/no]: y
% Certificate request sent to Certificate Authority
% The certificate request fingerprint will be displayed.
% The 'show crypto ca certificate' command will also show the fingerprint.
Router(config)# Fingerprint:8DA777BC 08477073 A5BE2403 812DD157
00:29:11:%CRYPTO-6-CERTRET:Certificate received from Certificate Authority
Router(config)# crypto ca export aaa pem terminal 3des password

% CA certificate:
-----BEGIN CERTIFICATE-----
MIICAzCCAa2gAwIBAgIBATANBgkqhkiG9w0BAQUFADBOMQswCQYDVQQGEwJVUzES
<snip>
waDeNOSI3WlDa0AWq5DkVBkxwgn0TqIJXJOCttjHnWHK1LMcMVGn
-----END CERTIFICATE-----
% Key name:aaa
Usage:General Purpose Key
-----BEGIN RSA PRIVATE KEY-----
Proc-Type:4,ENCRYPTED
DEK-Info:DES-EDE3-CBC,ED6B210B626BC81A
Urguv0jnjwOgowWVUQ2XR5nbzzYHI2vGLunpH/IxIsJunjRVjbaAUUpGk7VnPCT87
<snip>
kLC0txzEv7JHc72gMku9uUlrLSnFH5slzAtoC0czfU4=
```

```

-----END RSA PRIVATE KEY-----
% Certificate:
-----BEGIN CERTIFICATE-----
MIICTjCCAfIqAwIBAgICIQUwDQYJKoZIhvcNAQEFBQAwTjELMAkGA1UEBhMCVVMx
<snip>
6xlBaIsuMxnHmr89KkKkYlU6
-----END CERTIFICATE-----

```

## Importing Router RSA Key Pairs and Certificate from PEM Files Example

The following example shows how to import the RSA key pairs and certificate to the trustpoint “ggg” from PEM files via TFTP:

```

Router(config)# crypto pki import ggg pem url tftp://10.1.1.2/username/msca password

% Importing CA certificate...
Address or name of remote host [10.1.1.2]?
Destination filename [username/msca.ca]?
Reading file from tftp://10.1.1.2/username/msca.ca
Loading username/msca.ca from 10.1.1.2 (via Ethernet0):!
[OK - 1082 bytes]
% Importing private key PEM file...
Address or name of remote host [10.1.1.2]?
Destination filename [username/msca.prv]?
Reading file from tftp://10.1.1.2/username/msca.prv
Loading username/msca.prv from 10.1.1.2 (via Ethernet0):!
[OK - 573 bytes]
% Importing certificate PEM file...
Address or name of remote host [10.1.1.2]?
Destination filename [username/msca.crt]?
Reading file from tftp://10.1.1.2/username/msca.crt
Loading username/msca.crt from 10.1.1.2 (via Ethernet0):!
[OK - 1289 bytes]
% PEM files import succeeded.
Router(config)#

```

## Encrypting and Locking Private Keys on a Router Examples

### Configuring and Verifying an Encrypted Key Example

The following example shows how to encrypt the RSA key “pki-123.example.com.” Thereafter, the **show crypto key mypubkey rsa** command is issued to verify that the RSA key is encrypted (protected) and unlocked.

```

Router(config)# crypto key encrypt rsa name pki-123.example.com passphrase password
Router(config)# exit
Router# show crypto key mypubkey rsa
% Key pair was generated at:00:15:32 GMT Jun 25 2003

Key name:pki-123.example.com
Usage:General Purpose Key
*** The key is protected and UNLOCKED. ***

Key is not exportable.

Key Data:
305C300D 06092A86 4886F70D 01010105 00034B00 30480241 00E0CC9A 1D23B52C
CD00910C ABD392AE BA6D0E3F FC47A0EF 8AFEE340 0EC1E62B D40E7DCC

```

```

23C4D09E
03018B98 E0C07B42 3CFD1A32 2A3A13C0 1FF919C5 8DE9565F 1F020301 0001
% Key pair was generated at:00:15:33 GMT Jun 25 2003
Key name:pki-123.example.com.server
Usage:Encryption Key
Key is exportable.
Key Data:
307C300D 06092A86 4886F70D 01010105 00036B00 30680261 00D3491E 2A21D383
854D7DA8 58AFBDAC 4E11A7DD E6C40AC6 66473A9F 0C845120 7C0C6EC8 1FFF5757
3A41CE04 FDCB40A4 B9C68B4F BC7D624B 470339A3 DE739D3E F7DDB549 91CD4DA4
DF190D26 7033958C 8A61787B D40D28B8 29BCD0ED 4E6275C0 6D020301 0001

Router#

```

## Configuring and Verifying a Locked Key Example

The following example shows how to lock the key “pki-123.example.com.” Thereafter, the **show crypto key mypubkey rsa** command is issued to verify that the key is protected (encrypted) and locked.

```

Router# crypto key lock rsa name pki-123.example.com passphrase password
!
Router# show crypto key mypubkey rsa

% Key pair was generated at:20:29:41 GMT Jun 20 2003
Key name:pki-123.example.com
Usage:General Purpose Key
*** The key is protected and LOCKED. ***
Key is exportable.
Key Data:
305C300D 06092A86 4886F70D 01010105 00034B00 30480241 00D7808D C5FF14AC
0D2B55AC 5D199F2F 7CB4B355 C555E07B 6D0DECBE 4519B1F0 75B12D6F 902D6E9F
B6FDAD8D 654EF851 5701D5D7 EDA047ED 9A2A619D 5639DF18 EB020301 0001

```

## Where to Go Next

After you have generated an RSA key pair, you should set up the trustpoint. If you have already set up the trustpoint, you should authenticate and enroll the routers in a PKI. For information on enrollment, see the module “Configuring Certificate Enrollment for a PKI.”

## Additional References

### Related Documents

Related Topic	Document Title
Overview of PKI, including RSA keys, certificate enrollment, and CAs	Cisco IOS PKI Overview: Understanding and Planning a PKI

Related Topic	Document Title
PKI commands: complete command syntax, command mode, defaults, usage guidelines, and examples	<i>Cisco IOS Security Command Reference</i>
Recommended cryptographic algorithms	<a href="#">Next Generation Encryption</a>

### MIBs

MIBs	MIBs Link
None	To locate and download MIBs for selected platforms, Cisco IOS releases, and feature sets, use Cisco MIB Locator found at the following URL: <a href="http://www.cisco.com/go/mibs">http://www.cisco.com/go/mibs</a>

### RFCs

RFCs	Title
RFC 2409	<i>The Internet Key Exchange (IKE)</i>
RFC 2511	Internet X.509 Certificate Request Message Format

### Technical Assistance

Description	Link
The Cisco Support and Documentation website provides online resources to download documentation, software, and tools. Use these resources to install and configure the software and to troubleshoot and resolve technical issues with Cisco products and technologies. Access to most tools on the Cisco Support and Documentation website requires a Cisco.com user ID and password.	<a href="http://www.cisco.com/cisco/web/support/index.html">http://www.cisco.com/cisco/web/support/index.html</a>

## Feature Information for RSA Keys Within a PKI

The following table provides release information about the feature or features described in this module. This table lists only the software release that introduced support for a given feature in a given software release train. Unless noted otherwise, subsequent releases of that software release train also support that feature.

Use Cisco Feature Navigator to find information about platform support and Cisco software image support. To access Cisco Feature Navigator, go to [www.cisco.com/go/cfn](http://www.cisco.com/go/cfn). An account on Cisco.com is not required.

**Table 1: Feature Information for RSA Keys Within a PKI**

Feature Name	Software Releases	Feature Configuration Information
Cisco IOS 4096-Bit Public Key Support	Cisco IOS XE Release 2.4	This feature introduces Cisco IOS 4096-bit peer public key support.
Exporting and Importing RSA Keys	Cisco IOS XE Release 2.1	This feature allows you to transfer security credentials between devices by exporting and importing RSA keys. The key pair that is shared between two devices will allow one device to immediately and transparently take over the functionality of the other router.  The following commands were introduced or modified by this feature: <b>crypto ca export pkcs12</b> , <b>crypto ca import pkcs12</b> , <b>crypto key generate rsa (IKE)</b>
Import of RSA Key Pair and Certificates in PEM Format	Cisco IOS XE Release 2.1	This feature allows customers to use PEM-formatted files to import or export RSA key pairs. PEM-formatted files allow customers to directly use existing RSA key pairs on their Cisco IOS routers instead of generating new keys.  The following commands were introduced by this feature: <b>crypto ca export pem</b> , <b>crypto ca import pem</b> , <b>crypto key export pem</b> , <b>crypto key import pem</b>
Multiple RSA Key Pair Support	Cisco IOS XE Release 2.1	This feature allows a user to configure a router to have multiple RSA key pairs. Thus, the Cisco IOS software can maintain a different key pair for each identity certificate.  The following commands were introduced or modified by this feature: <b>crypto key generate rsa</b> , <b>crypto key zeroize rsa</b> , <b>rsa keypair</b>

Feature Name	Software Releases	Feature Configuration Information
Protected Private Key Storage	Cisco IOS XE Release 2.1	<p>This feature allows a user to encrypt and lock the RSA private keys that are used on a Cisco IOS router, thereby, preventing unauthorized use of the private keys.</p> <p>The following commands were introduced or modified by this feature : <b>crypto key decrypt rsa, crypto key encrypt rsa, crypto key lock rsa, crypto key unlock rsa, show crypto key mypubkey rsa</b></p>







## CHAPTER

# 4

# Configuring Authorization and Revocation of Certificates in a PKI

---

This module describes how to configure authorization and revocation of certificates in a public key infrastructure (PKI). It includes information on high-availability support for the certificate server.



### Note

---

Security threats, as well as the cryptographic technologies to help protect against them, are constantly changing. For more information about the latest Cisco cryptographic recommendations, see the [Next Generation Encryption \(NGE\)](#) white paper.

---

- [Finding Feature Information](#), page 37
- [Prerequisites for Authorization and Revocation of Certificates](#), page 38
- [Restrictions for Authorization and Revocation of Certificates](#), page 38
- [Information About Authorization and Revocation of Certificates](#), page 39
- [How to Configure Authorization and Revocation of Certificates for Your PKI](#), page 46
- [Configuration Examples for Setting Up Authorization and Revocation of Certificates](#), page 62
- [Additional References](#), page 74
- [Feature Information for Certificate Authorization and Revocation](#), page 75

## Finding Feature Information

Your software release may not support all the features documented in this module. For the latest caveats and feature information, see [Bug Search Tool](#) and the release notes for your platform and software release. To find information about the features documented in this module, and to see a list of the releases in which each feature is supported, see the feature information table.

Use Cisco Feature Navigator to find information about platform support and Cisco software image support. To access Cisco Feature Navigator, go to [www.cisco.com/go/cfn](http://www.cisco.com/go/cfn). An account on Cisco.com is not required.

# Prerequisites for Authorization and Revocation of Certificates

## Plan Your PKI Strategy

**Tip**

It is strongly recommended that you plan your entire PKI strategy before you begin to deploy actual certificates.

Authorization and revocation can occur only after you or a network administrator have completed the following tasks:

- Configured the certificate authority (CA).
- Enrolled peer devices with the CA.
- Identified and configured the protocol (such as IP Security [IPsec] or secure socket layer [SSL]) that is to be used for peer-to-peer communication.

You should decide which authorization and revocation strategy you are going to configure before enrolling peer devices because the peer device certificates might have to contain authorization and revocation-specific information.

### “crypto ca” to “crypto pki” CLI Change

As of Cisco IOS Release 12.3(7)T, all commands that begin as “crypto ca” have been changed to begin as “crypto pki.” Although the router will still accept crypto ca commands, all output will be read back as crypto pki.

### High Availability

For high availability, IPsec-secured Stream Control Transmission Protocol (SCTP) must be configured on both the active and the standby routers. For synchronization to work, the redundancy mode on the certificate servers must be set to ACTIVE/STANDBY after you configure SCTP.

# Restrictions for Authorization and Revocation of Certificates

- PKI High Availability (HA) support of intra-chassis stateful switchover (SSO) redundancy is currently not supported on all switches running the Cisco IOS Release 12.2 S software. See Cisco bug CSCtb59872 for more information.
- Depending on your Cisco IOS release, Lightweight Directory Access Protocol (LDAP) is supported.

# Information About Authorization and Revocation of Certificates

## PKI Authorization

PKI authentication does not provide authorization. Current solutions for authorization are specific to the router that is being configured, although a centrally managed solution is often required.

There is not a standard mechanism by which certificates are defined as authorized for some tasks and not for others. This authorization information can be captured in the certificate itself if the application is aware of the certificate-based authorization information. But this solution does not provide a simple mechanism for real-time updates to the authorization information and forces each application to be aware of the specific authorization information embedded in the certificate.

When the certificate-based ACL mechanism is configured as part of the trustpoint authentication, the application is no longer responsible for determining this authorization information, and it is no longer possible to specify for which application the certificate is authorized. In some cases, the certificate-based ACL on the router gets so large that it cannot be managed. Additionally, it is beneficial to retrieve certificate-based ACL indications from an external server. (For more information on using certificate-based ACLs for authentication, see the section [“When to Use Certificate-Based ACLs for Authorization or Revocation, on page 43.”](#))

Current solutions to the real-time authorization problem involve specifying a new protocol and building a new server (with associated tasks, such as management and data distribution).

## PKI and AAA Server Integration for Certificate Status

Integrating your PKI with an authentication, authorization, and accounting (AAA) server provides an alternative online certificate status solution that leverages the existing AAA infrastructure. Certificates can be listed in the AAA database with appropriate levels of authorization. For components that do not explicitly support PKI-AAA, a default label of “all” from the AAA server provides authorization. Likewise, a label of “none” from the AAA database indicates that the specified certificate is not valid. (The absence of any application label is equivalent, but “none” is included for completeness and clarity). If the application component does support PKI-AAA, the component may be specified directly; for example, the application component could be “ipsec,” “ssl,” or “osp.” (ipsec=IP Security, ssl=Secure Sockets Layer, and osp=Open Settlement Protocol.)

**Note**

---

Currently, no application component supports specification of the application label.

---

- There may be a time delay when accessing the AAA server. If the AAA server is not available, the authorization fails.

## RADIUS or TACACS+ Choosing a AAA Server Protocol

The AAA server can be configured to work with either the RADIUS or TACACS+ protocol. When you are configuring the AAA server for the PKI integration, you must set the RADIUS or TACACS attributes that are required for authorization.

If the RADIUS protocol is used, the password that is configured for the username in the AAA server should be set to “cisco,” which is acceptable because the certificate validation provides authentication and the AAA database is only being used for authorization. When the TACACS protocol is used, the password that is configured for the username in the AAA server is irrelevant because TACACS supports authorization without requiring authentication (the password is used for authentication).

In addition, if you are using TACACS, you must add a PKI service to the AAA server. The custom attribute “cert-application=all” is added under the PKI service for the particular user or usergroup to authorize the specific username.

## Attribute-Value Pairs for PKI and AAA Server Integration

The table below lists the attribute-value (AV) pairs that are to be used when setting up PKI integration with a AAA server. (Note the values shown in the table are possible values.) The AV pairs must match the client configuration. If they do not match, the peer certificate is not authorized.



### Note

Users can sometimes have AV pairs that are different from those of every other user. As a result, a unique username is required for each user. The **all** parameter (within the **authorization username** command) specifies that the entire subject name of the certificate will be used as the authorization username.

**Table 2: AV Pairs That Must Match**

AV Pair	Value
cisco-avpair=pki:cert-application=all	Valid values are “all” and “none.”
cisco-avpair=pki:cert-trustpoint=msca	The value is a Cisco IOS command-line interface (CLI) configuration trustpoint label.  <b>Note</b> The cert-trustpoint AV pair is normally optional. If it is specified, the Cisco IOS router query must be coming from a certificate trustpoint that has a matching label, and the certificate that is authenticated must have the specified certificate serial number.
cisco-avpair=pki:cert-serial=16318DB7000100001671	The value is a certificate serial number.  <b>Note</b> The cert-serial AV pair is normally optional. If it is specified, the Cisco IOS router query must be coming from a certificate trustpoint that has a matching label, and the certificate that is authenticated must have the specified certificate serial number.

AV Pair	Value
cisco-avpair=pki:cert-lifetime-end=1:00 jan 1, 2003	<p>The cert-lifetime-end AV pair is available to artificially extend a certificate lifetime beyond the time period that is indicated in the certificate itself. If the cert-lifetime-end AV pair is used, the cert-trustpoint and cert-serial AV pairs must also be specified. The value must match the following form: hours:minutes month day, year.</p> <p><b>Note</b> Only the first three characters of a month are used: Jan, Feb, Mar, Apr, May, Jun, Jul, Aug, Sep, Oct, Nov, Dec. If more than three characters are entered for the month, the remaining characters are ignored (for example Janxxxx).</p>

## CRLs or OCSP Server Choosing a Certificate Revocation Mechanism

After a certificate is validated as a properly signed certificate, a certificate revocation method is performed to ensure that the certificate has not been revoked by the issuing CA. Cisco IOS software supports two revocation mechanisms--certificate revocation lists (CRLs) and Online Certificate Status Protocol (OCSP). Cisco IOS software also supports AAA integration for certificate checking; however, additional authorization functionality is included. For more information on PKI and AAA certificate authorization and status check, see the PKI and AAA Server Integration for Certificate Status section.

The following sections explain how each revocation mechanism works:

### What Is a CRL

A certificate revocation list (CRL) is a list of revoked certificates. The CRL is created and digitally signed by the CA that originally issued the certificates. The CRL contains dates for when each certificate was issued and when it expires.

CAs publish new CRLs periodically or when a certificate for which the CA is responsible has been revoked. By default, a new CRL is downloaded after the currently cached CRL expires. An administrator may also configure the duration for which CRLs are cached in router memory or disable CRL caching completely. The CRL caching configuration applies to all CRLs associated with a trustpoint.

When the CRL expires, the router deletes it from its cache. A new CRL is downloaded when a certificate is presented for verification; however, if a newer version of the CRL that lists the certificate under examination is on the server but the router is still using the CRL in its cache, the router does not know that the certificate has been revoked. The certificate passes the revocation check even though it should have been denied.

When a CA issues a certificate, the CA can include in the certificate the CRL distribution point (CDP) for that certificate. Cisco IOS client devices use CDPs to locate and load the correct CRL. The Cisco IOS client supports multiple CDPs, but the Cisco IOS CA currently supports only one CDP; however, third-party vendor CAs may support multiple CDPs or different CDPs per certificate. If a CDP is not specified in the certificate, the client device uses the default Simple Certificate Enrollment Protocol (SCEP) method to retrieve the CRL. (The CDP location can be specified through the **cdp-url** command.)

When implementing CRLs, you should consider the following design considerations:

- CRL lifetimes and the security association (SA) and Internet Key Exchange (IKE) lifetimes.
- The CRL lifetime determines the length of time between CA-issued updates to the CRL. The default CRL lifetime value, which is 168 hours [1 week], can be changed through the **lifetime crl** command.
- The method of the CDP determines how the CRL is retrieved; some possible choices include HTTP, Lightweight Directory Access Protocol (LDAP), SCEP, or TFTP. HTTP, TFTP, and LDAP are the most commonly used methods. Although Cisco IOS software defaults to SCEP, an HTTP CDP is recommended for large installations using CRLs because HTTP can be made highly scalable.
- The location of the CDP determines from where the CRL is retrieved; for example, you can specify the server and file path from which to retrieve the CRL.

### Querying All CDPs During Revocation Check

When a CDP server does not respond to a request, the Cisco IOS software reports an error, which may result in the peer's certificate being rejected. To prevent a possible certificate rejection and if there are multiple CDPs in a certificate, the Cisco IOS software will attempt to use the CDPs in the order in which they appear in the certificate. The router will attempt to retrieve a CRL using each CDP URL or directory specification. If an error occurs using a CDP, an attempt will be made using the next CDP.



#### Note

Prior to Cisco IOS Release 12.3(7)T, the Cisco IOS software makes only one attempt to retrieve the CRL, even when the certificate contains more than one CDP.



#### Tip

Although the Cisco IOS software will make every attempt to obtain the CRL from one of the indicated CDPs, it is recommended that you use an HTTP CDP server with high-speed redundant HTTP servers to avoid application timeouts because of slow CDP responses.

## What Is OCSP

OCSP is an online mechanism that is used to determine certificate validity and provides the following flexibility as a revocation mechanism:

- OCSP can provide real-time certificate status checking.
- OCSP allows the network administrator to specify a central OCSP server, which can service all devices within a network.
- OCSP also allows the network administrator the flexibility to specify multiple OCSP servers, either per client certificate or per group of client certificates.
- OCSP server validation is usually based on the root CA certificate or a valid subordinate CA certificate, but may also be configured so that external CA certificates or self-signed certificates may be used. Using external CA certificates or self-signed certificates allows the OCSP servers certificate to be issued and validated from an alternative PKI hierarchy.

A network administrator can configure an OCSP server to collect and update CRLs from different CA servers. The devices within the network can rely on the OCSP server to check the certificate status without retrieving and caching each CRL for every peer. When peers have to check the revocation status of a certificate, they

send a query to the OCSP server that includes the serial number of the certificate in question and an optional unique identifier for the OCSP request, or a nonce. The OCSP server holds a copy of the CRL to determine if the CA has listed the certificate as being revoked; the server then responds to the peer including the nonce. If the nonce in the response from the OCSP server does not match the original nonce sent by the peer, the response is considered invalid and certificate verification fails. The dialog between the OCSP server and the peer consumes less bandwidth than most CRL downloads.

If the OCSP server is using a CRL, CRL time limitations will be applicable; that is, a CRL that is still valid might be used by the OCSP server although a new CRL has been issued by the CRL containing additional certificate revocation information. Because fewer devices are downloading the CRL information on a regular basis, you can decrease the CRL lifetime value or configure the OCSP server not to cache the CRL. For more information, check your OCSP server documentation.

### When to Use an OCSP Server

OCSP may be more appropriate than CRLs if your PKI has any of the following characteristics:

- Real-time certificate revocation status is necessary. CRLs are updated only periodically and the latest CRL may not always be cached by the client device. For example, if a client does not yet have the latest CRL cached and a newly revoked certificate is being checked, that revoked certificate will successfully pass the revocation check.
- There are a large number of revoked certificates or multiple CRLs. Caching a large CRL consumes large portions of Cisco IOS memory and may reduce resources available to other processes.
- CRLs expire frequently, causing the CDP to handle a larger load of CRLs.

**Note**

---

As of Cisco IOS Release 12.4(9)T or later, an administrator may configure CRL caching, either by disabling CRL caching completely or setting a maximum lifetime for a cached CRL per trustpoint.

---

## When to Use Certificate-Based ACLs for Authorization or Revocation

Certificates contain several fields that are used to determine whether a device or user is authorized to perform a specified action.

Because certificate-based ACLs are configured on the device, they do not scale well for large numbers of ACLs; however, certificate-based ACLs do provide very granular control of specific device behavior. Certificate-based ACLs are also leveraged by additional features to help determine when PKI components such as revocation, authorization, or a trustpoint should be used. They provide a general mechanism allowing users to select a specific certificate or a group of certificates that are being validated for either authorization or additional processing.

Certificate-based ACLs specify one or more fields within the certificate and an acceptable value for each specified field. You can specify which fields within a certificate should be checked and which values those fields may or may not have.

There are six logical tests for comparing the field with the value--equal, not equal, contains, does not contain, less than, and greater than or equal. If more than one field is specified within a single certificate-based ACL, the tests of all of the fields within the ACL must succeed to match the ACL. The same field may be specified multiple times within the same ACL. More than one ACL may be specified, and ACL will be processed in turn until a match is found or all of the ACLs have been processed.

## Ignore Revocation Checks Using a Certificate-Based ACL

Certificate-based ACLs can be configured to instruct your router to ignore the revocation check and expired certificates of a valid peer. Thus, a certificate that meets the specified criteria can be accepted regardless of the validity period of the certificate, or if the certificate meets the specified criteria, revocation checking does not have to be performed. You can also use a certificate-based ACL to ignore the revocation check when the communication with a AAA server is protected with a certificate.

### Ignoring Revocation Lists

To allow a trustpoint to enforce CRLs except for specific certificates, enter the **match certificate** command with the **skip revocation-check** keyword. This type of enforcement is most useful in a hub-and-spoke configuration in which you also want to allow direct spoke-to-spoke connections. In pure hub-and-spoke configurations, all spokes connect only to the hub, so CRL checking is necessary only on the hub. For one spoke to communicate directly with another spoke, the **match certificate** command with the **skip revocation-check** keyword can be used for neighboring peer certificates instead of requiring a CRL on each spoke.

### Ignoring Expired Certificates

To configure your router to ignore expired certificates, enter the **match certificate** command with the **allow expired-certificate** keyword. This command has the following purposes:

- If the certificate of a peer has expired, this command may be used to “allow” the expired certificate until the peer can obtain a new certificate.
- If your router clock has not yet been set to the correct time, the certificate of a peer will appear to be not yet valid until the clock is set. This command may be used to allow the certificate of the peer even though your router clock is not set.



#### Note

If Network Time Protocol (NTP) is available only via the IPsec connection (usually via the hub in a hub-and-spoke configuration), the router clock can never be set. The tunnel to the hub cannot be “brought up” because the certificate of the hub is not yet valid.

- “Expired” is a generic term for a certificate that is expired or that is not yet valid. The certificate has a start and end time. An expired certificate, for purposes of the ACL, is one for which the current time of the router is outside the start and end times specified in the certificate.

### Skipping the AAA Check of the Certificate

If the communication with an AAA server is protected with a certificate, and you want to skip the AAA check of the certificate, use the **match certificate** command with the **skip authorization-check** keyword. For example, if a virtual private network (VPN) tunnel is configured so that all AAA traffic goes over that tunnel, and the tunnel is protected with a certificate, you can use the **match certificate** command with the **skip authorization-check** keyword to skip the certificate check so that the tunnel can be established.

The **match certificate** command and the **skip authorization-check** keyword should be configured after PKI integration with an AAA server is configured.



**Note**

---

If the AAA server is available only via an IPSec connection, the AAA server cannot be contacted until after the IPSec connection is established. The IPSec connection cannot be “brought up” because the certificate of the AAA server is not yet valid.

---

## PKI Certificate Chain Validation

A certificate chain establishes a sequence of trusted certificates --from a peer certificate to the root CA certificate. Within a PKI hierarchy, all enrolled peers can validate the certificate of one another if the peers share a trusted root CA certificate or a common subordinate CA. Each CA corresponds to a trustpoint.

When a certificate chain is received from a peer, the default processing of a certificate chain path continues until the first trusted certificate, or trustpoint, is reached. In Cisco IOS Release 12.4(6)T and later releases, an administrator may configure the level to which a certificate chain is processed on all certificates including subordinate CA certificates.

Configuring the level to which a certificate chain is processed allows for the reauthentication of trusted certificates, the extension of a trusted certificate chain, and the completion of a certificate chain that contains a gap.

### Reauthentication of Trusted Certificates

The default behavior is for the router to remove any trusted certificates from the certificate chain sent by the peer before the chain is validated. An administrator may configure certificate chain path processing so that the router does not remove CA certificates that are already trusted before chain validation, so that all certificates in the chain are re-authenticated for the current session.

### Extending the Trusted Certificate Chain

The default behavior is for the router to use its trusted certificates to extend the certificate chain if there are any missing certificates in the certificate chain sent by the peer. The router will validate only certificates in the chain sent by the peer. An administrator may configure certificate chain path processing so that the certificates in the peer’s certificate chain and the router’s trusted certificates are validated to a specified point.

### Completing Gaps in a Certificate Chain

An administrator may configure certificate chain processing so that if there is a gap in the configured Cisco IOS trustpoint hierarchy, certificates sent by the peer can be used to complete the set of certificates to be validated.

**Note**

---

If the trustpoint is configured to require parent validation and the peer does not provide the full certificate chain, the gap cannot be completed and the certificate chain is rejected and invalid.

---

**Note**

---

It is a configuration error if the trustpoint is configured to require parent validation and there is no parent trustpoint configured. The resulting certificate chain gap cannot be completed and the subordinate CA certificate cannot be validated. The certificate chain is invalid.

---

# How to Configure Authorization and Revocation of Certificates for Your PKI

## Configuring PKI Integration with a AAA Server

Perform this task to generate a AAA username from the certificate presented by the peer and specify which fields within a certificate should be used to build the AAA database username.



### Note

The following restrictions should be considered when using the **all** keyword as the subject name for the **authorization username** command:

- Some AAA servers limit the length of the username (for example, to 64 characters). As a result, the entire certificate subject name cannot be longer than the limitation of the server.
- Some AAA servers limit the available character set that may be used for the username (for example, a space [ ] and an equal sign [=] may not be acceptable). You cannot use the **all** keyword for a AAA server having such a character-set limitation.
- The **subject-name** command in the trustpoint configuration may not always be the final AAA subject name. If the fully qualified domain name (FQDN), serial number, or IP address of the router are included in a certificate request, the subject name field of the issued certificate will also have these components. To turn off the components, use the **fqdn**, **serial-number**, and **ip-address** commands with the **none** keyword.
- CA servers sometimes change the requested subject name field when they issue a certificate. For example, CA servers of some vendors switch the relative distinguished names (RDNs) in the requested subject names to the following order: CN, OU, O, L, ST, and C. However, another CA server might append the configured LDAP directory root (for example, O=cisco.com) to the end of the requested subject name.
- Depending on the tools you choose for displaying a certificate, the printed order of the RDNs in the subject name could be different. Cisco IOS software always displays the least significant RDN first, but other software, such as Open Source Secure Socket Layer (OpenSSL), does the opposite. Therefore, if you are configuring a AAA server with a full distinguished name (DN) (subject name) as the corresponding username, ensure that the Cisco IOS software style (that is, with the least significant RDN first) is used.

or

```
radius-server host hostname [key string]
```

## SUMMARY STEPS

1. **enable**
2. **configure terminal**
3. **aaa new-model**
4. **aaa authorization network listname [method]**
5. **crypto pki trustpoint name**
6. **enrollment [mode] [retry period minutes] [retry count number] url url [pem]**
7. revocation-check method
8. **exit**
9. **authorization username subjectname subjectname**
10. **authorization list listname**
11. **tacacs-server host hostname [key string]**

## DETAILED STEPS

	Command or Action	Purpose
Step 1	<b>enable</b>  <b>Example:</b> Router> enable	Enables privileged EXEC mode.  <ul style="list-style-type: none"> <li>• Enter your password if prompted.</li> </ul>
Step 2	<b>configure terminal</b>  <b>Example:</b> Router# configure terminal	Enters global configuration mode.
Step 3	<b>aaa new-model</b>  <b>Example:</b> Router(config)# aaa new-model	Enables the AAA access control model.
Step 4	<b>aaa authorization network listname [method]</b>  <b>Example:</b> Router (config)# aaa authorization network maxaaa group tacacs+	Sets the parameters that restrict user access to a network.  <ul style="list-style-type: none"> <li>• <i>method</i> --Can be <b>group radius</b>, <b>group tacacs+</b>, or <b>group group-name</b>.</li> </ul>
Step 5	<b>crypto pki trustpoint name</b>  <b>Example:</b> Route (config)# crypto pki trustpoint msca	Declares the trustpoint and a given name and enters ca-trustpoint configuration mode.

	Command or Action	Purpose
<b>Step 6</b>	<p><b>enrollment</b> [<b>mode</b>] [<b>retry period</b> <i>minutes</i>] [<b>retry count</b> <i>number</i>] <b>url</b> <i>url</i> [<b>pem</b>]</p> <p><b>Example:</b></p> <pre>Router (ca-trustpoint)# enrollment url http://caserver.myexample.com - or- Router (ca-trustpoint)# enrollment url http://[2001:DB8:1:1::1]:80</pre>	<p>Specifies the following enrollment parameters of the CA:</p> <ul style="list-style-type: none"> <li>• (Optional) The <b>mode</b> keyword specifies the registration authority (RA) mode, if your CA system provides an RA. By default, RA mode is disabled.</li> <li>• (Optional) The <b>retry period</b> keyword and <i>minutes</i> argument specifies the period, in minutes, in which the router waits before sending the CA another certificate request. Valid values are from 1 to 60. The default is 1.</li> <li>• (Optional) The <b>retry count</b> keyword and <i>number</i> argument specifies the number of times a router will resend a certificate request when it does not receive a response from the previous request. Valid values are from 1 to 100. The default is 10.</li> <li>• The <i>url</i> argument is the URL of the CA to which your router should send certificate requests. <ul style="list-style-type: none"> <li><b>Note</b> With the introduction of Cisco IOS Release 15.2(1)T, an IPv6 address can be added to the <b>http:</b> enrolment method. For example: <code>http://[ipv6-address]:80</code>. The IPv6 address must be enclosed in brackets in the URL. See the <a href="#">enrollment url (ca-trustpoint)</a> command page for more information on the other enrollment methods that can be used.</li> </ul> </li> <li>• (Optional) The <b>pem</b> keyword adds privacy-enhanced mail (PEM) boundaries to the certificate request.</li> </ul>
<b>Step 7</b>	<p>revocation-check method</p> <p><b>Example:</b></p> <pre>Router (ca-trustpoint)# revocation-check crl</pre>	(Optional) Checks the revocation status of a certificate.
<b>Step 8</b>	<p><b>exit</b></p> <p><b>Example:</b></p> <pre>Router (ca-trustpoint)# exit</pre>	Exits ca-trustpoint configuration mode and returns to global configuration mode.
<b>Step 9</b>	<p><b>authorization username</b> <b>subjectname</b> <i>subjectname</i></p> <p><b>Example:</b></p> <pre>Router (config)# authorization username subjectname serialnumber</pre>	<p>Sets parameters for the different certificate fields that are used to build the AAA username.</p> <p>The <i>subjectname</i> argument can be any of the following:</p> <ul style="list-style-type: none"> <li>• <b>all</b> --Entire distinguished name (subject name) of the certificate.</li> <li>• <b>commonname</b> --Certification common name.</li> <li>• <b>country</b> --Certificate country.</li> <li>• <b>email</b> --Certificate e-mail.</li> </ul>

	Command or Action	Purpose
		<ul style="list-style-type: none"> <li>• <b>ipaddress</b> --Certificate IP address.</li> <li>• <b>locality</b> --Certificate locality.</li> <li>• <b>organization</b> --Certificate organization.</li> <li>• <b>organizationalunit</b> --Certificate organizational unit.</li> <li>• <b>postalcode</b> --Certificate postal code.</li> <li>• <b>serialnumber</b> --Certificate serial number.</li> <li>• <b>state</b> --Certificate state field.</li> <li>• <b>streetaddress</b> --Certificate street address.</li> <li>• <b>title</b> --Certificate title.</li> <li>• <b>unstructuredname</b> --Certificate unstructured name.</li> </ul>
<b>Step 10</b>	<b>authorization list</b> <i>listname</i>  <b>Example:</b> <pre>Route (config)# authorization list maxaaa</pre>	Specifies the AAA authorization list.
<b>Step 11</b>	<b>tacacs-server host</b> hostname [key string]  <b>Example:</b> <pre>Router(config)# tacacs-server host 192.0.2.2 key a_secret_key</pre> <b>Example:</b> <pre>radius-server host hostname [key string]</pre> <b>Example:</b> <pre>Router(config)# radius-server host 192.0.2.1 key another_secret_key</pre>	Specifies a TACACS+ host.  or Specifies a RADIUS host.

## Troubleshooting Tips

To display debug messages for the trace of interaction (message type) between the CA and the router, use the **debug crypto pki transactions** command. (See the sample output, which shows a successful PKI integration with AAA server exchange and a failed PKI integration with AAA server exchange.)

### Successful Exchange

```
Router# debug crypto pki transactions
```

```
Apr 22 23:15:03.695: CRYPTO_PKI: Found a issuer match
Apr 22 23:15:03.955: CRYPTO_PKI: cert revocation status unknown.
Apr 22 23:15:03.955: CRYPTO_PKI: Certificate validated without revocation check
```

Each line that shows “CRYPTO\_PKI\_AAA” indicates the state of the AAA authorization checks. Each of the AAA AV pairs is indicated, and then the results of the authorization check are shown.

```
Apr 22 23:15:04.019: CRYPTO_PKI_AAA: checking AAA authorization (ipsecca_script_aalist,
PKIAAA-L, <all>)
Apr 22 23:15:04.503: CRYPTO_PKI_AAA: reply attribute ("cert-application" = "all")
Apr 22 23:15:04.503: CRYPTO_PKI_AAA: reply attribute ("cert-trustpoint" = "CA1")
Apr 22 23:15:04.503: CRYPTO_PKI_AAA: reply attribute ("cert-serial" = "15DE")
Apr 22 23:15:04.503: CRYPTO_PKI_AAA: authorization passed
Apr 22 23:12:30.327: CRYPTO_PKI: Found a issuer match
```

### Failed Exchange

```
Router# debug crypto pki transactions
```

```
Apr 22 23:11:13.703: CRYPTO_PKI_AAA: checking AAA authorization =
Apr 22 23:11:14.203: CRYPTO_PKI_AAA: reply attribute ("cert-application" = "all")
Apr 22 23:11:14.203: CRYPTO_PKI_AAA: reply attribute ("cert-trustpoint"= "CA1")
Apr 22 23:11:14.203: CRYPTO_PKI_AAA: reply attribute ("cert-serial" = "233D")
Apr 22 23:11:14.203: CRYPTO_PKI_AAA: parsed cert-lifetime-end as: 21:30:00
Apr 22 23:11:14.203: CRYPTO_PKI_AAA: timezone specific extended
Apr 22 23:11:14.203: CRYPTO_PKI_AAA: cert-lifetime-end is expired
Apr 22 23:11:14.203: CRYPTO_PKI_AAA: cert-lifetime-end check failed.
Apr 22 23:11:14.203: CRYPTO_PKI_AAA: authorization failed
```

In the above failed exchange, the certificate has expired.

## Configuring a Revocation Mechanism for PKI Certificate Status Checking

Perform this task to set up a CRL as the certificate revocation mechanism--CRLs or OCSP--that is used to check the status of certificates in a PKI.

### The revocation-check Command

Use the **revocation-check** command to specify at least one method (OCSP, CRL, or skip the revocation check) that is to be used to ensure that the certificate of a peer has not been revoked. For multiple methods, the order in which the methods are applied is determined by the order specified via this command.

If your router does not have the applicable CRL and is unable to obtain one or if the OCSP server returns an error, your router will reject the peer’s certificate--unless you include the **none** keyword in your configuration. If the **none** keyword is configured, a revocation check will not be performed and the certificate will always be accepted.

### Nonces and Peer Communications with OCSP Servers

When using OCSP, nonces, unique identifiers for OCSP requests, are sent by default during peer communications with your OCSP server. The use of nonces offers a more secure and reliable communication channel between the peer and OCSP server.

If your OCSP server does not support nonces, you may disable the sending of nonces. For more information, check your OCSP server documentation.

### Before You Begin

- Before issuing any client certificates, the appropriate settings on the server (such as setting the CDP) should be configured.
- When configuring an OCSP server to return the revocation status for a CA server, the OCSP server must be configured with an OCSP response signing certificate that is issued by that CA server. Ensure that the signing certificate is in the correct format, or the router will not accept the OCSP response. See your OCSP manual for additional information.



#### Note

- OCSP transports messages over HTTP, so there may be a time delay when you access the OCSP server.
- If the OCSP server depends on normal CRL processing to check revocation status, the same time delay that affects CRLs will also apply to OCSP.

>

### SUMMARY STEPS

1. **enable**
2. **configure terminal**
3. `crypto pki trustpoint name`
4. `ocsp url url`
5. `revocation-check method1 [method2 method3]`
6. `ocsp disable-nonce`
7. `exit`
8. `exit`
9. `show crypto pki certificates`
10. `show crypto pki trustpoints [status | label [status]]`

### DETAILED STEPS

	Command or Action	Purpose
Step 1	<b>enable</b>  <b>Example:</b> Router> enable	Enables privileged EXEC mode. <ul style="list-style-type: none"> <li>• Enter your password if prompted.</li> </ul>
Step 2	<b>configure terminal</b>  <b>Example:</b> Router# configure terminal	Enters global configuration mode.

	Command or Action	Purpose
<b>Step 3</b>	<p>crypto pki trustpoint <i>name</i></p> <p><b>Example:</b></p> <pre>Router(config)# crypto pki trustpoint hazel</pre>	Declares the trustpoint and a given name and enters ca-trustpoint configuration mode.
<b>Step 4</b>	<p>ocsp url <i>url</i></p> <p><b>Example:</b></p> <pre>Router(ca-trustpoint)# ocsp url http://ocsp-server - or - Router(ca-trustpoint)# ocsp url http://10.10.10.1:80 - or - Router(ca-trustpoint)# ocsp url http://[2001DB8:1:1::2]:80</pre>	The <i>url</i> argument specifies the URL of an OCSP server so that the trustpoint can check the certificate status. This URL overrides the URL of the OCSP server (if one exists) in the Authority Info Access (AIA) extension of the certificate. All certificates associated with a configured trustpoint are checked by the OCSP server. The URL can be a hostname, IPv4 address, or an IPv6 address.
<b>Step 5</b>	<p>revocation-check <i>method1</i> [<i>method2 method3</i>]</p> <p><b>Example:</b></p> <pre>Router(ca-trustpoint)# revocation-check ocsp none</pre>	<p>Checks the revocation status of a certificate.</p> <ul style="list-style-type: none"> <li>• <b>crl</b> --Certificate checking is performed by a CRL. This is the default option.</li> <li>• <b>none</b> --Certificate checking is ignored.</li> <li>• <b>ocsp</b> --Certificate checking is performed by an OCSP server.</li> </ul> <p>If a second and third method are specified, each method will be used only if the previous method returns an error, such as a server being down.</p>
<b>Step 6</b>	<p>ocsp disable-nonce</p> <p><b>Example:</b></p> <pre>Router(ca-trustpoint)# ocsp disable-nonce</pre>	(Optional) Specifies that a nonce, or an OCSP request unique identifier, will not be sent during peer communications with the OCSP server.
<b>Step 7</b>	<p>exit</p> <p><b>Example:</b></p> <pre>Router(ca-trustpoint)# exit</pre>	Returns to global configuration mode.
<b>Step 8</b>	<p>exit</p> <p><b>Example:</b></p> <pre>Router(config)# exit</pre>	Returns to privileged EXEC mode.



	Command or Action	Purpose
Step 9	<b>show crypto pki certificates</b>  <b>Example:</b> Router# show crypto pki certificates	(Optional) Displays information about your certificates.
Step 10	<b>show crypto pki trustpoints [status   label [status]]</b>  <b>Example:</b> Router# show crypto pki trustpoints	Displays information about the trustpoint configured in router.

## Configuring Certificate Authorization and Revocation Settings

Perform this task to specify a certificate-based ACL, to ignore revocation checks or expired certificates, to manually override the default CDP location, to manually override the OCSP server setting, to configure CRL caching, or to set session acceptance or rejection based on a certificate serial number, as appropriate.

### Configuring Certificate-Based ACLs to Ignore Revocation Checks

To configure your router to use certificate-based ACLs to ignore revocation checks and expired certificates, perform the following steps:

- Identify an existing trustpoint or create a new trustpoint to be used when verifying the certificate of the peer. Authenticate the trustpoint if it has not already been authenticated. The router may enroll with this trustpoint if you want. Do not set optional CRLs for the trustpoint if you plan to use the **match certificate** command and **skip revocation-check** keyword.
- Determine the unique characteristics of the certificates that should not have their CRL checked and of the expired certificates that should be allowed.
- Define a certificate map to match the characteristics identified in the prior step.
- You can add the **match certificate** command and **skip revocation-check** keyword and the **match certificate command** and **allow expired-certificate** keyword to the trustpoint that was created or identified in the first step.



#### Note

Certificate maps are checked even if the peer's public key is cached. For example, when the public key is cached by the peer, and a certificate map is added to the trustpoint to ban a certificate, the certificate map is effective. This prevents a client with the banned certificate, which was once connected in the past, from reconnecting.

## Manually Overriding CDPs in a Certificate

Users can override the CDPs in a certificate with a manually configured CDP. Manually overriding the CDPs in a certificate can be advantageous when a particular server is unavailable for an extended period of time. The certificate's CDPs can be replaced with a URL or directory specification without reissuing all of the certificates that contain the original CDP.

## Manually Overriding the OCSP Server Setting in a Certificate

Administrators can override the OCSP server setting specified in the Authority Information Access (AIA) field of the client certificate or set by the issuing the **ocsp url** command. One or more OCSP servers may be manually specified, either per client certificate or per group of client certificates by the **match certificate override ocsp** command. The **match certificate override ocsp** command overrides the client certificate AIA field or the **ocsp url** command setting if a client certificate is successfully matched to a certificate map during the revocation check.




---

**Note** Only one OCSP server can be specified per client certificate.

---

## Configuring CRL Cache Control

By default, a new CRL will be downloaded after the currently cached CRL expires. Administrators can either configure the maximum amount of time in minutes a CRL remains in the cache by issuing the **crl cache delete-after** command or disable CRL caching by issuing the **crl cache none** command. Only the **crl-cache delete-after** command or the **crl-cache none** command may be specified. If both commands are entered for a trustpoint, the last command executed will take effect and a message will be displayed.

Neither the **crl-cache none** command nor the **crl-cache delete-after** command affects the currently cached CRL. If you configure the **crl-cache none** command, all CRLs downloaded after this command is issued will not be cached. If you configure the **crl-cache delete-after** command, the configured lifetime will only affect CRLs downloaded after this command is issued.

This functionality is useful is when a CA issues CRLs with no expiration date or with expiration dates days or weeks ahead.

## Configuring Certificate Serial Number Session Control

A certificate serial number can be specified to allow a certificate validation request to be accepted or rejected by the trustpoint for a session. A session may be rejected, depending on certificate serial number session control, even if a certificate is still valid. Certificate serial number session control may be configured by using either a certificate map with the **serial-number** field or an AAA attribute, with the **cert-serial-not** command.

Using certificate maps for session control allows an administrator to specify a single certificate serial number. Using the AAA attribute allows an administrator to specify one or more certificate serial numbers for session control.

### Before You Begin

- The trustpoint should be defined and authenticated before attaching certificate maps to the trustpoint.

- The certificate map must be configured before the CDP override feature can be enabled or the **serial-number** command is issued.
- The PKI and AAA server integration must be successfully completed to use AAA attributes as described in “PKI and AAA Server Integration for Certificate Status.”

## SUMMARY STEPS

1. **enable**
2. **configure terminal**
3. **crypto pki certificate map label sequence-number**
4. *field-name match-criteria match-value*
5. **exit**
6. **crypto pki trustpoint name**
7. Do one of the following:
  - **crl-cache none**
  - **crl-cache delete-after time**
8. **match certificate certificate-map-label [allow expired-certificate | skip revocation-check | skip authorization-check]**
9. **match certificate certificate-map-label override cdp {url | directory} string**
10. **match certificate certificate-map-label override ocs [trustpoint trustpoint-label] sequence-number url ocs-url**
11. **exit**
12. **aaa new-model**
13. **aaa attribute list list-name**
14. **attribute type {name} {value}**
15. **exit**
16. **exit**
17. **show crypto pki certificates**

## DETAILED STEPS

	Command or Action	Purpose
Step 1	<b>enable</b>  <b>Example:</b> Router> enable	Enables privileged EXEC mode. <ul style="list-style-type: none"> <li>• Enter your password if prompted.</li> </ul>

	Command or Action	Purpose
<b>Step 2</b>	<p><b>configure terminal</b></p> <p><b>Example:</b></p> <pre>Router# configure terminal</pre>	Enters global configuration mode.
<b>Step 3</b>	<p><b>crypto pki certificate map label sequence-number</b></p> <p><b>Example:</b></p> <pre>Router(config)# crypto pki certificate map Group 10</pre>	Defines values in a certificate that should be matched or not matched and enters ca-certificate-map configuration mode.
<b>Step 4</b>	<p><i>field-name match-criteria match-value</i></p> <p><b>Example:</b></p> <pre>Router(ca-certificate-map)# subject-name co MyExample</pre>	<p>Specifies one or more certificate fields together with their matching criteria and the value to match.</p> <p>The <i>field-name</i> is one of the following case-insensitive name strings or a date:</p> <ul style="list-style-type: none"> <li>• <b>alt-subject-name</b></li> <li>• <b>expires-on</b></li> <li>• <b>issuer-name</b></li> <li>• <b>name</b></li> <li>• <b>serial-number</b></li> <li>• <b>subject-name</b></li> <li>• <b>unstructured-subject-name</b></li> <li>• <b>valid-start</b></li> </ul> <p><b>Note</b> Date field format is dd mm yyyy hh:mm:ss or mmm dd yyyy hh:mm:ss.</p> <p>The <i>match-criteria</i> is one of the following logical operators:</p> <ul style="list-style-type: none"> <li>• <b>co</b> --contains (valid only for name fields and serial number field)</li> <li>• <b>eq</b> --equal (valid for name, serial number, and date fields)</li> <li>• <b>ge</b> --greater than or equal (valid only for date fields)</li> <li>• <b>lt</b> --less than (valid only for date fields)</li> <li>• <b>nc</b> --does not contain (valid only for name fields and serial number field)</li> <li>• <b>ne</b> --not equal (valid for name, serial number, and date fields)</li> </ul> <p>The <i>match-value</i> is the name or date to test with the logical operator assigned by match-criteria.</p> <p><b>Note</b> Use this command only when setting up a certificate-based ACL--not when setting up a certificate-based ACL to ignore revocation checks or expired certificates.</p>

	Command or Action	Purpose
<b>Step 5</b>	<p><b>exit</b></p> <p><b>Example:</b></p> <pre>Router(ca-certificate-map)# exit</pre>	Returns to global configuration mode.
<b>Step 6</b>	<p><b>crypto pki trustpoint</b> <i>name</i></p> <p><b>Example:</b></p> <pre>Router(config)# crypto pki trustpoint Access2</pre>	Declares the trustpoint, given name and enters ca-trustpoint configuration mode.
<b>Step 7</b>	<p>Do one of the following:</p> <ul style="list-style-type: none"> <li>• <b>crl-cache none</b></li> <li>• <b>crl-cache delete-after</b> <i>time</i></li> </ul> <p><b>Example:</b></p> <pre>Router(ca-trustpoint)# crl-cache none</pre> <p><b>Example:</b></p> <pre>Router(ca-trustpoint)# crl-cache delete-after 20</pre>	<p>(Optional) Disables CRL caching completely for all CRLs associated with the trustpoint.</p> <p>The <b>crl-cache none</b> command does not affect any currently cached CRLs. All CRLs downloaded after this command is configured will not be cached.</p> <p>(Optional) Specifies the maximum time CRLs will remain in the cache for all CRLs associated with the trustpoint.</p> <ul style="list-style-type: none"> <li>• <i>time</i> --The amount of time in minutes before the CRL is deleted.</li> </ul> <p>The <b>crl-cache delete-after</b> command does not affect any currently cached CRLs. The configured lifetime will only affect CRLs downloaded after this command is configured.</p>
<b>Step 8</b>	<p><b>match certificate</b> <i>certificate-map-label</i>  <b>[allow expired-certificate   skip</b>  <b>revocation-check   skip</b>  <b>authorization-check</b></p> <p><b>Example:</b></p> <pre>Router(ca-trustpoint)# match certificate Group skip revocation-check</pre>	<p>(Optional) Associates the certificate-based ACL (that was defined via the <b>crypto pki certificate map</b> command) to a trustpoint.</p> <ul style="list-style-type: none"> <li>• <i>certificate-map-label</i> --Must match the <i>label</i> argument specified via the <b>crypto pki certificate map</b> command.</li> <li>• <b>allow expired-certificate</b> --Ignores expired certificates.</li> <li>• <b>skip revocation-check</b> --Allows a trustpoint to enforce CRLs except for specific certificates.</li> <li>• <b>skip authorization-check</b> --Skips the AAA check of a certificate when PKI integration with an AAA server is configured.</li> </ul>
<b>Step 9</b>	<p><b>match certificate</b> <i>certificate-map-label</i>  <b>override cdp</b> {<b>url</b>   <b>directory</b>} <i>string</i></p> <p><b>Example:</b></p> <pre>Router(ca-trustpoint)# match certificate Group1 override cdp url http://server.cisco.com</pre>	<p>(Optional) Manually overrides the existing CDP entries for a certificate with a URL or directory specification.</p> <ul style="list-style-type: none"> <li>• <i>certificate-map-label</i> --A user-specified label that must match the <i>label</i> argument specified in a previously defined <b>crypto pki certificate map</b> command.</li> <li>• <b>url</b> --Specifies that the certificate's CDPs will be overridden with an HTTP or LDAP URL.</li> </ul>

	Command or Action	Purpose
		<ul style="list-style-type: none"> <li>• <b>directory</b> --Specifies that the certificate's CDPs will be overridden with an LDAP directory specification.</li> <li>• <i>string</i> --The URL or directory specification.</li> </ul> <p><b>Note</b> Some applications may time out before all CDPs have been tried and will report an error message. The error message will not affect the router, and the Cisco IOS software will continue attempting to retrieve a CRL until all CDPs have been tried.</p>
<b>Step 10</b>	<p><b>match certificate</b> <i>certificate-map-label</i>  <b>override oosp</b> [<b>trustpoint</b>  <i>trustpoint-label</i>] <i>sequence-number</i> <b>url</b>  <i>oosp-url</i></p> <p><b>Example:</b></p> <pre>Router(ca-trustpoint)# match certificate mycertmapname override oosp trustpoint mytp 15 url http://192.0.2.2</pre>	<p>(Optional) Specifies an OCSP server, either per client certificate or per group of client certificates, and may be issued more than once to specify additional OCSP servers and client certificate settings including alternative PKI hierarchies.</p> <ul style="list-style-type: none"> <li>• <i>certificate-map-label</i> --The name of an existing certificate map.</li> <li>• <b>trustpoint</b> --The trustpoint to be used when validating the OCSP server certificate.</li> <li>• <i>sequence-number</i> --The order the <b>match certificate override oosp</b> command statements apply to the certificate being verified. Matches are performed from the lowest sequence number to the highest sequence number. If more than one command is issued with the same sequence number, it overwrites the previous OCSP server override setting.</li> <li>• <b>url</b> --The URL of the OCSP server.</li> </ul> <p>When the certificate matches a configured certificate map, the AIA field of the client certificate and any previously issued <b>oosp url</b> command settings are overwritten with the specified OCSP server.</p> <p>If no map-based match occurs, one of the following two cases will continue to apply to the client certificate.</p> <ul style="list-style-type: none"> <li>• If OCSP is specified as the revocation method, the AIA field value will continue to apply to the client certificate.</li> <li>• If the <b>oosp url</b> configuration exists, the <b>oosp url</b> configuration settings will continue to apply to the client certificates.</li> </ul>
<b>Step 11</b>	<p><b>exit</b></p> <p><b>Example:</b></p> <pre>Router(ca-trustpoint)# exit</pre>	Returns to global configuration mode.
<b>Step 12</b>	<p><b>aaa new-model</b></p> <p><b>Example:</b></p> <pre>Router(config)# aaa new-model</pre>	(Optional) Enables the AAA access control model.

	Command or Action	Purpose
<b>Step 13</b>	<b>aaa attribute list</b> <i>list-name</i>  <b>Example:</b> <pre>Router(config)# aaa attribute list crl</pre>	(Optional) Defines an AAA attribute list locally on a router and enters config-attr-list configuration mode.
<b>Step 14</b>	<b>attribute type</b> <i>{name}</i> <i>{value}</i>  <b>Example:</b> <pre>Router(config-attr-list)# attribute type cert-serial-not 6C4A</pre>	(Optional) Defines an AAA attribute type that is to be added to an AAA attribute list locally on a router.  To configure certificate serial number session control, an administrator may specify a specific certificate in the <i>value</i> field to be accepted or rejected based on its serial number where <i>name</i> is set to <b>cert-serial-not</b> . If the serial number of the certificate matches the serial number specified by the attribute type setting, the certificate will be rejected.  For a full list of available AAA attribute types, execute the <b>show aaa attributes</b> command.
<b>Step 15</b>	<b>exit</b>  <b>Example:</b> <pre>Router(ca-trustpoint)# exit</pre> <b>Example:</b> <pre>Router(config-attr-list)# exit</pre>	Returns to global configuration mode.
<b>Step 16</b>	<b>exit</b>  <b>Example:</b> <pre>Router(config)# exit</pre>	Returns to privileged EXEC mode.
<b>Step 17</b>	<b>show crypto pki certificates</b>  <b>Example:</b> <pre>Router# show crypto pki certificates</pre>	(Optional) Displays the components of the certificates installed on the router if the CA certificate has been authenticated.

### Example

The following is a sample certificate. The OCSP-related extensions are shown using exclamation points.

```
Certificate:
  Data:
    Version: v3
    Serial Number: 0x14
    Signature Algorithm: SHAwithRSA - 1.2.840.113549.1.1.4
    Issuer: CN=CA server, OU=PKI, O=Cisco Systems
```

```

Validity:
  Not Before:Thursday, August 8, 2002 4:38:05 PM PST
  Not After:Tuesday, August 7, 2003 4:38:05 PM PST
Subject:CN=OCSP server,OU=PKI,O=Cisco Systems
Subject Public Key Info:
  Algorithm:RSA - 1.2.840.113549.1.1.1
  Public Key:
    Exponent:65537
    Public Key Modulus:(2048 bits) :
      <snip>
Extensions:
  Identifier:Subject Key Identifier - 2.5.29.14
  Critical:no
  Key Identifier:
    <snip>
  Identifier:Authority Key Identifier - 2.5.29.35
  Critical:no
  Key Identifier:
    <snip>
!
  Identifier:OCSP NoCheck:- 1.3.6.1.5.5.7.48.1.5
  Critical:no
  Identifier:Extended Key Usage:- 2.5.29.37
  Critical:no
  Extended Key Usage:
    OCSPSigning
!

  Identifier:CRL Distribution Points - 2.5.29.31
  Critical:no
  Number of Points:1
  Point 0
    Distribution Point:
[URIName:ldap://CA-server/CN=CA server,OU=PKI,O=Cisco Systems]
Signature:
  Algorithm:SHAwithRSA - 1.2.840.113549.1.1.4
  Signature:
    <snip>

```

The following example shows an excerpt of the running configuration output when adding a **match certificate override ocsp** command to the beginning of an existing sequence:

```

match certificate map3 override ocsp 5 url http://192.0.2.3/
show running-configuration
.
.
.
    match certificate map3 override ocsp 5 url http://192.0.2.3/
    match certificate map1 override ocsp 10 url http://192.0.2.1/
    match certificate map2 override ocsp 15 url http://192.0.2.2/

```

The following example shows an excerpt of the running configuration output when an existing **match certificate override ocsp** command is replaced and a trustpoint is specified to use an alternative PKI hierarchy:

```

match certificate map4 override ocsp trustpoint tp4 10 url http://192.0.2.4/newvalue
show running-configuration
.
.
.
    match certificate map3 override ocsp trustpoint tp3 5 url http://192.0.2.3/
    match certificate map1 override ocsp trustpoint tp1 10 url http://192.0.2.1/
    match certificate map4 override ocsp trustpoint tp4 10 url
http://192.0.2.4/newvalue
    match certificate map2 override ocsp trustpoint tp2 15 url http://192.0.2.2/

```

## Troubleshooting Tips

If you ignored revocation check or expired certificates, you should carefully check your configuration. Verify that the certificate map properly matches either the certificate or certificates that should be allowed or the



AAA checks that should be skipped. In a controlled environment, try modifying the certificate map and determine what is not working as expected.

## Configuring Certificate Chain Validation

Perform this task to configure the processing level for the certificate chain path of your peer certificates.

### Before You Begin

- The device must be enrolled in your PKI hierarchy.
- The appropriate key pair must be associated with the certificate.



#### Note

- A trustpoint associated with the root CA cannot be configured to be validated to the next level.

The **chain-validation** command is configured with the **continue** keyword for the trustpoint associated with the root CA, an error message will be displayed and the chain validation will revert to the default **chain-validation** command setting.

### SUMMARY STEPS

1. **enable**
2. **configure terminal**
3. `crypto pki trustpoint name`
4. **chain-validation** [{**stop** | **continue**} [*parent-trustpoint*]]
5. **exit**

### DETAILED STEPS

	Command or Action	Purpose
Step 1	<b>enable</b>  <b>Example:</b> <pre>Router&gt; enable</pre>	Enables privileged EXEC mode.  <ul style="list-style-type: none"> <li>• Enter your password if prompted.</li> </ul>
Step 2	<b>configure terminal</b>  <b>Example:</b> <pre>Router# configure terminal</pre>	Enters global configuration mode.

	Command or Action	Purpose
<b>Step 3</b>	<p>crypto pki trustpoint <i>name</i></p> <p><b>Example:</b></p> <pre>Router(config)# crypto pki trustpoint ca-sub1</pre>	Declares the trustpoint and a given name and enters ca-trustpoint configuration mode.
<b>Step 4</b>	<p>chain-validation [{<b>stop</b>   <b>continue</b>} [<i>parent-trustpoint</i>]]</p> <p><b>Example:</b></p> <pre>Router(ca-trustpoint)# chain-validation continue ca-sub1</pre>	<p>Configures the level to which a certificate chain is processed on all certificates including subordinate CA certificates.</p> <ul style="list-style-type: none"> <li>• Use the <b>stop</b> keyword to specify that the certificate is already trusted. This is the default setting.</li> <li>• Use the <b>continue</b> keyword to specify that the that the subordinate CA certificate associated with the trustpoint must be validated.</li> <li>• The <i>parent-trustpoint</i> argument specifies the name of the parent trustpoint the certificate must be validated against.</li> </ul>
<b>Step 5</b>	<p>exit</p> <p><b>Example:</b></p> <pre>Router(ca-trustpoint)# exit</pre>	Returns to global configuration mode

## Configuration Examples for Setting Up Authorization and Revocation of Certificates

### Configuring and Verifying PKI AAA Authorization Examples

This section provides configuration examples of PKI AAA authorizations:

#### Router Configuration Example

The following **show running-config** command output shows the working configuration of a router that is set up to authorize VPN connections using the PKI Integration with AAA Server feature:

```
Router# show running-config
Building configuration...
!
version 12.3
!
hostname router7200router7200
!
aaa new-model
!
```

```

!
aaa authentication login default group tacacs+
aaa authentication login no tacacs enable
aaa authentication ppp default group tacacs+
aaa authorization exec ACSLab group tacacs+
aaa authorization network ACSLab group tacacs+
aaa accounting exec ACSLab start-stop group tacacs+
aaa accounting network default start-stop group ACSLab
aaa session-id common
!
ip domain name example.com
!
crypto pki trustpoint EM-CERT-SERV
  enrollment url http://192.0.2.33:80
  serial-number
  crl optional
  rsakeypair STOREVPN 2048
  auto-enroll
  authorization list ACSLab
!
crypto pki certificate chain EM-CERT-SERV
  certificate 04
    30820214 3082017D A0030201 02020104 300D0609 2A864886 F70D0101 04050030
    17311530 13060355 0403130C 454D2D43 4552542D 53455256 301E170D 30343031
    31393232 30323535 5A170D30 35303131 38323230 3235355A 3030312E 300E0603
    55040513 07314437 45424434 301C0609 2A864886 F70D0109 02160F37 3230302D
    312E6772 696C2E63 6F6D3081 9F300D06 092A8648 86F70D01 01010500 03818D00
    30818902 818100BD F3B837AA D925F391 2B64DA14 9C2EA031 5A7203C4 92F8D6A8
    7D2357A6 BCC8596F A38A9B10 47435626 D59A8F2A 123195BB BE5A1E74 B1AA5AE0
    5CA162FF 8C3ACA4F B3EE9F27 8B031642 B618AE1B 40F2E3B4 F996BEFE 382C7283
    3792A369 236F8561 8748AA3F BC41F012 B859BD9C DB4F75EE 3CEE2829 704BD68F
    FD904043 0F555702 03010001 A3573055 30250603 551D1F04 1E301C30 1AA018A0
    16861468 7474703A 2F2F3633 2E323437 2E313037 2E393330 0B060355 1D0F0404
    030205A0 301F0603 551D2304 18301680 1420FC4B CF0B1C56 F5BD4C06 0AFD4E67
    341AE612 D1300D06 092A8648 86F70D01 01040500 03818100 79E97018 FB955108
    12F42A56 2A6384BC AC8E22FE F1D6187F DA5D6737 C0E241AC AAAEC75D 3C743F59
    08DEEFF2 0E813A73 D79E0FA9 D62DC20D 8E2798CD 2C1DC3EC 3B2505A1 3897330C
    15A60D5A 8A13F06D 51043D37 E56E45DF A65F43D7 4E836093 9689784D C45FD61D
    EC1F160C 1ABC8D03 49FB11B1 DA0BED6C 463E1090 F34C59E4
  quit
  certificate ca 01
    30820207 30820170 A0030201 02020101 300D0609 2A864886 F70D0101 04050030
    17311530 13060355 0403130C 454D2D43 4552542D 53455256 301E170D 30333132
    31363231 34373432 5A170D30 36313231 35323134 3734325A 30173115 30130603
    55040313 0C454D2D 43455254 2D534552 5630819F 300D0609 2A864886 F70D0101
    01050003 818D0030 81890281 8100C14D 833641CF D784F516 DA6B50C0 7B3CB3C9
    589223AB 99A7DC14 04F74EF2 AAEE8F5 E3BFAE97 F2F980F7 D889E6A1 2C726C69
    54A29870 7E7363FF 3CD1F991 F5A37CFF 3FFDD3D0 9E486C44 A2E34595 C2D078BB
    E9DE981E B733B868 AA8916C0 A8048607 D34B83C0 64BDC101 161FC103 13C06500
    22D6EE75 7D6CF133 7F1B515F 32830203 010001A3 63306130 0F060355 1D130101
    FF040530 030101FF 300E0603 551D0F01 01FF0404 03020186 301D0603 551D0E04
    16041420 FC4BCF0B 1C56F5BD 4C060AFD 4E67341A E612D130 1F060355 1D230418
    30168014 20FC4BCF 0B1C56F5 BD4C060A FD4E6734 1AE612D1 300D0609 2A864886
    F70D0101 04050003 81810085 D2E386F5 4107116B AD3AC990 CBE84063 5FB2A6B5
    BD572026 528E92ED 02F3A0AE 1803F2AE AA4C0ED2 0F59F18D 7B50264F 30442C41
    0AF19C4E 70BD3CB5 0ADD8DE8 8EF636BD 24410DF4 DB62DAFC 67DA6E58 3879AA3E
    12AFB1C3 2E27CB27 EC74E1FC AEE2F5CF AA80B439 615AA8D5 6D6DEDC3 79C2C79
    3963E363 F2989FB9 795BA8
  quit
!
!
crypto isakmp policy 10
  encr aes
  group 14
!
!
crypto ipsec transform-set ISC_TS_1 esp-aes esp-sha-hmac
!
crypto ipsec profile ISC_IPSEC_PROFILE_2
  set security-association lifetime kilobytes 530000000
  set security-association lifetime seconds 14400
  set transform-set ISC_TS_1
!

```

```

!
controller ISA 1/1
!
!
interface Tunnel0
description MGRE Interface provisioned by ISC
bandwidth 10000
ip address 192.0.2.172 255.255.255.0
no ip redirects
ip mtu 1408
ip nhrp map multicast dynamic
ip nhrp network-id 101
ip nhrp holdtime 500
ip nhrp server-only
no ip split-horizon eigrp 101
tunnel source FastEthernet2/1
tunnel mode gre multipoint
tunnel key 101
tunnel protection ipsec profile ISC_IPSEC_PROFILE_2
!
interface FastEthernet2/0
ip address 192.0.2.1 255.255.255.0
duplex auto
speed auto
!
interface FastEthernet2/1
ip address 192.0.2.2 255.255.255.0
duplex auto
speed auto
!
!
tacacs-server host 192.0.2.55 single-connection
tacacs-server directed-request
tacacs-server key company lab
!
ntp master 1
!
end

```

## Debug of a Successful PKI AAA Authorization Example

The following **show debugging** command output shows a successful authorization using the PKI Integration with AAA Server feature:

```

Router# show debugging
General OS:
  TACACS access control debugging is on
  AAA Authentication debugging is on
  AAA Authorization debugging is on
Cryptographic Subsystem:
Crypto PKI Trans debugging is on
Router#
May 28 19:36:11.117: CRYPTO_PKI: Trust-Point EM-CERT-SERV picked up
May 28 19:36:12.789: CRYPTO_PKI: Found a issuer match
May 28 19:36:12.805: CRYPTO_PKI: cert revocation status unknown.
May 28 19:36:12.805: CRYPTO_PKI: Certificate validated without revocation check
May 28 19:36:12.813: CRYPTO_PKI_AAA: checking AAA authorization (ACSLab, POD5.example.com,
<all>)
May 28 19:36:12.813: AAA/BIND(00000042): Bind i/f
May 28 19:36:12.813: AAA/AUTHOR (0x42): Pick method list 'ACSLab'
May 28 19:36:12.813: TPLUS: Queuing AAA Authorization request 66 for processing
May 28 19:36:12.813: TPLUS: processing authorization request id 66
May 28 19:36:12.813: TPLUS: Protocol set to None .....Skipping
May 28 19:36:12.813: TPLUS: Sending AV service=pki
May 28 19:36:12.813: TPLUS: Authorization request created for 66(POD5.example.com)
May 28 19:36:12.813: TPLUS: Using server 192.0.2.55
May 28 19:36:12.813: TPLUS(00000042)/0/NB_WAIT/203A4628: Started 5 sec timeout
May 28 19:36:12.813: TPLUS(00000042)/0/NB_WAIT: wrote entire 46 bytes request
May 28 19:36:12.813: TPLUS: Would block while reading pak header

```

```

May 28 19:36:12.817: TPLUS(00000042)/0/READ: read entire 12 header bytes (expect 27 bytes)
May 28 19:36:12.817: TPLUS(00000042)/0/READ: read entire 39 bytes response
May 28 19:36:12.817: TPLUS(00000042)/0/203A4628: Processing the reply packet
May 28 19:36:12.817: TPLUS: Processed AV cert-application=all
May 28 19:36:12.817: TPLUS: received authorization response for 66: PASS
May 28 19:36:12.817: CRYPTO_PKI_AAA: reply attribute ("cert-application" = "all")
May 28 19:36:12.817: CRYPTO_PKI_AAA: authorization passed
Router#
Router#
May 28 19:36:18.681: %DUAL-5-NBRCHANGE: IP-EIGRP(0) 101: Neighbor 192.0.2.171 (Tunnel0) is
  up: new adjacency
Router#
Router# show crypto isakmp sa
dst          src          state          conn-id slot
192.0.2.22   192.0.2.102  QM_IDLE        84         0

```

## Debugs of a Failed PKI AAA Authorization Example

The following **show debugging** command output shows that the router is not authorized to connect using VPN. The messages are typical of those that you might see in such a situation.

In this example, the peer username was configured as not authorized, by moving the username to a Cisco Secure ACS group called VPN\_Router\_Disabled in Cisco Secure ACS. The router, router7200.example.com, has been configured to check with a Cisco Secure ACS AAA server prior to establishing a VPN connection to any peer.

```

Router# show debugging
General OS:
  TACACS access control debugging is on
  AAA Authentication debugging is on
  AAA Authorization debugging is on
Cryptographic Subsystem:
  Crypto PKI Trans debugging is on

Router#
May 28 19:48:29.837: CRYPTO_PKI: Trust-Point EM-CERT-SERV picked up
May 28 19:48:31.509: CRYPTO_PKI: Found a issuer match
May 28 19:48:31.525: CRYPTO_PKI: cert revocation status unknown.
May 28 19:48:31.525: CRYPTO_PKI: Certificate validated without revocation check
May 28 19:48:31.533: CRYPTO_PKI_AAA: checking AAA authorization (ACSLab, POD5.example.com,
  <all>)
May 28 19:48:31.533: AAA/BIND(00000044): Bind i/f
May 28 19:48:31.533: AAA/AUTHOR (0x44): Pick method list 'ACSLab'
May 28 19:48:31.533: TPLUS: Queuing AAA Authorization request 68 for processing
May 28 19:48:31.533: TPLUS: processing authorization request id 68
May 28 19:48:31.533: TPLUS: Protocol set to None .....Skipping
May 28 19:48:31.533: TPLUS: Sending AV service=pki
May 28 19:48:31.533: TPLUS: Authorization request created for 68(POD5.example.com)
May 28 19:48:31.533: TPLUS: Using server 192.0.2.55
May 28 19:48:31.533: TPLUS(00000044)/0/NB_WAIT/203A4C50: Started 5 sec timeout
May 28 19:48:31.533: TPLUS(00000044)/0/NB_WAIT: wrote entire 46 bytes request
May 28 19:48:31.533: TPLUS: Would block while reading pak header
May 28 19:48:31.537: TPLUS(00000044)/0/READ: read entire 12 header bytes (expect 6 bytes)
May 28 19:48:31.537: TPLUS(00000044)/0/READ: read entire 18 bytes response
May 28 19:48:31.537: TPLUS(00000044)/0/203A4C50: Processing the reply packet
May 28 19:48:31.537: TPLUS: received authorization response for 68: FAIL
May 28 19:48:31.537: CRYPTO_PKI_AAA: authorization declined by AAA, or AAA server not found.
May 28 19:48:31.537: CRYPTO_PKI_AAA: No cert-application attribute found. Failing.
May 28 19:48:31.537: CRYPTO_PKI_AAA: authorization failed
May 28 19:48:31.537: CRYPTO_PKI: AAA authorization for list 'ACSLab', and user
  'POD5.example.com' failed.
May 28 19:48:31.537: %CRYPTO-5-IKMP_INVALID_CERT: Certificate received from 192.0.2.162 is
  bad: certificate invalid
May 28 19:48:39.821: CRYPTO_PKI: Trust-Point EM-CERT-SERV picked up
May 28 19:48:41.481: CRYPTO_PKI: Found a issuer match
May 28 19:48:41.501: CRYPTO_PKI: cert revocation status unknown.
May 28 19:48:41.501: CRYPTO_PKI: Certificate validated without revocation check
May 28 19:48:41.505: CRYPTO_PKI_AAA: checking AAA authorization (ACSLab, POD5.example.com,

```

```

<all>
May 28 19:48:41.505: AAA/BIND(00000045): Bind i/f
May 28 19:48:41.505: AAA/AUTHOR (0x45): Pick method list 'ACSLab'
May 28 19:48:41.505: TPLUS: Queuing AAA Authorization request 69 for processing
May 28 19:48:41.505: TPLUS: processing authorization request id 69
May 28 19:48:41.505: TPLUS: Protocol set to None .....Skipping
May 28 19:48:41.505: TPLUS: Sending AV service=pki
May 28 19:48:41.505: TPLUS: Authorization request created for 69(POD5.example.com)
May 28 19:48:41.505: TPLUS: Using server 198.168.244.55
May 28 19:48:41.509: TPLUS(00000045)/0/IDLE/63B22834: got immediate connect on new 0
May 28 19:48:41.509: TPLUS(00000045)/0/WRITE/63B22834: Started 5 sec timeout
May 28 19:48:41.509: TPLUS(00000045)/0/WRITE: wrote entire 46 bytes request
May 28 19:48:41.509: TPLUS(00000045)/0/READ: read entire 12 header bytes (expect 6 bytes)
May 28 19:48:41.509: TPLUS(00000045)/0/READ: read entire 18 bytes response
May 28 19:48:41.509: TPLUS(00000045)/0/63B22834: Processing the reply packet
May 28 19:48:41.509: TPLUS: received authorization response for 69: FAIL
May 28 19:48:41.509: CRYPTO_PKI_AAA: authorization declined by AAA, or AAA server not found.
May 28 19:48:41.509: CRYPTO_PKI_AAA: No cert-application attribute found. Failing.
May 28 19:48:41.509: CRYPTO_PKI_AAA: authorization failed
May 28 19:48:41.509: CRYPTO_PKI: AAA authorization for list 'ACSLab', and user
'POD5.example.com' failed.
May 28 19:48:41.509: %CRYPTO-5-IKMP_INVALID_CERT: Certificate received from 192.0.2.162 is
bad: certificate invalid
Router#
Router# show crypto iskmp sa
dst          src          state          conn-id slot
192.0.2.2    192.0.2.102  MM_KEY_EXCH    95         0

```

## Configuring a Revocation Mechanism Examples

This section contains the following configuration examples that can be used when specifying a revocation mechanism for your PKI:

### Configuring an OCSP Server Example

The following example shows how to configure the router to use the OCSP server that is specified in the AIA extension of the certificate:

```

Router(config)# crypto pki trustpoint mytp
Router(ca-trustpoint)# revocation-check ocsp

```

### Specifying a CRL and Then an OCSP Server Example

The following example shows how to configure the router to download the CRL from the CDP. If the CRL is unavailable, the OCSP server that is specified in the AIA extension of the certificate will be used. If both options fail, certificate verification will also fail.

```

Router(config)# crypto pki trustpoint mytp
Router(ca-trustpoint)# revocation-check crl ocsp

```

### Specifying an OCSP Server Example

The following example shows how to configure your router to use the OCSP server at the HTTP URL "http://myocspserver:81." If the server is down, the revocation check will be ignored.

```

Router(config)# crypto pki trustpoint mytp
Router(ca-trustpoint)# ocsp url http://myocspserver:81
Router(ca-trustpoint)# revocation-check ocsp none

```

## Disabling Nonces in Communications with the OCSP Server Example

The following example shows communications when a nonce, or a unique identifier for the OCSP request, is disabled for communications with the OCSP server:

```
Router(config)# crypto pki trustpoint mytp
Router(ca-trustpoint)# ocsf url http://myocspserver:81
Router(ca-trustpoint)# revocation-check ocsf none
Router(ca-trustpoint)# ocsf disable-nonce
```

## Configuring a Hub Router at a Central Site for Certificate Revocation Checks Example

The following example shows a hub router at a central site that is providing connectivity for several branch offices to the central site.

The branch offices are also able to communicate directly with each other using additional IPSec tunnels between the branch offices.

The CA publishes CRLs on an HTTP server at the central site. The central site checks CRLs for each peer when setting up an IPSec tunnel with that peer.

The example does not show the IPSec configuration--only the PKI-related configuration is shown.

### Home Office Hub Configuration

```
crypto pki trustpoint VPN-GW
enrollment url http://ca.home-office.com:80/certsrv/mscep/mscep.dll
serial-number none
fqdn none
ip-address none
subject-name o=Home Office Inc,cn=Central VPN Gateway
revocation-check crl
```

### Central Site Hub Router

```
Router# show crypto ca certificate
Certificate
  Status: Available
  Certificate Serial Number: 2F62BE14000000000CA0
  Certificate Usage: General Purpose
  Issuer:
    cn=Central Certificate Authority
    o=Home Office Inc
  Subject:
    Name: Central VPN Gateway
    cn=Central VPN Gateway
    o=Home Office Inc
  CRL Distribution Points:
    http://ca.home-office.com/CertEnroll/home-office.crl
  Validity Date:
    start date: 00:43:26 GMT Sep 26 2003
    end date: 00:53:26 GMT Sep 26 2004
    renew date: 00:00:00 GMT Jan 1 1970
  Associated Trustpoints: VPN-GW
CA Certificate
  Status: Available
  Certificate Serial Number: 1244325DE0369880465F977A18F61CA8
  Certificate Usage: Signature
  Issuer:
```

```

    cn=Central Certificate Authority
    o=Home Office Inc
  Subject:
    cn=Central Certificate Authority
    o=Home Office Inc
  CRL Distribution Points:
    http://ca.home-office.com/CertEnroll/home-office.crl
  Validity Date:
    start date: 22:19:29 GMT Oct 31 2002
    end   date: 22:27:27 GMT Oct 31 2017
  Associated Trustpoints: VPN-GW

```

### Trustpoint on the Branch Office Router

```

crypto pki trustpoint home-office
  enrollment url http://ca.home-office.com:80/certsrv/mscep/mscep.dll
  serial-number none
  fqdn none

ip-address none
subject-name o=Home Office Inc,cn=Branch 1
revocation-check crl

```

A certificate map is entered on the branch office router.

#### Router# configure terminal

```

Enter configuration commands, one per line.  End with CNTL/Z.
branch1(config)# crypto pki certificate map central-site 10
branch1(ca-certificate-map)#

```

The output from the **show certificate** command on the central site hub router shows that the certificate was issued by the following:

```

cn=Central Certificate Authority
o=Home Office Inc

```

These two lines are combined into one line using a comma (,) to separate them, and the original lines are added as the first criteria for a match.

```

Router (ca-certificate-map)# issuer-name co cn=Central Certificate Authority, ou=Home Office Inc

```

!The above line wrapped but should be shown on one line with the line above it.

The same combination is done for the subject name from the certificate on the central site router (note that the line that begins with "Name:" is not part of the subject name and must be ignored when creating the certificate map criteria). This is the subject name to be used in the certificate map.

```

cn=Central VPN Gateway
o=Home Office Inc

```

```

Router (ca-certificate-map)# subject-name eq cn=central vpn gateway, o=home office inc
Now the certificate map is added to the trustpoint that was configured earlier.

```

```

Router (ca-certificate-map)# crypto pki trustpoint home-office
Router (ca-trustpoint)# match certificate central-site skip revocation-check
Router (ca-trustpoint)# exit
Router (config)# exit

```

The configuration is checked (most of configuration is not shown).

```

Router# write term
!Many lines left out
.
.
.
crypto pki trustpoint home-office

```



```

enrollment url http://ca.home-office.com:80/certsrv/mscep/mscep.dll
serial-number none
fqdn none
ip-address none
subject-name o=Home Office Inc,cn=Branch 1
revocation-check crl
match certificate central-site skip revocation-check
!
!
crypto pki certificate map central-site 10
 issuer-name co cn = Central Certificate Authority, ou = Home Office Inc
 subject-name eq cn = central vpn gateway, o = home office inc
!many lines left out

```

Note that the issuer-name and subject-name lines have been reformatted to make them consistent for later matching with the certificate of the peer.

If the branch office is checking the AAA, the trustpoint will have lines similar to the following:

```

crypto pki trustpoint home-office
 auth list allow_list
 auth user subj commonname

```

After the certificate map has been defined as was done above, the following command is added to the trustpoint to skip AAA checking for the central site hub.

```

match certificate central-site skip authorization-check

```

In both cases, the branch site router has to establish an IPsec tunnel to the central site to check CRLs or to contact the AAA server. However, without the **match certificate** command and **central-site skip authorization-check (argument and keyword)**, the branch office cannot establish the tunnel until it has checked the CRL or the AAA server. (The tunnel will not be established unless the **match certificate** command and **central-site skip authorization-check** argument and keyword are used.)

The **match certificate** command and **allow expired-certificate** keyword would be used at the central site if the router at a branch site had an expired certificate and it had to establish a tunnel to the central site to renew its certificate.

### Trustpoint on the Central Site Router

```

crypto pki trustpoint VPN-GW
enrollment url http://ca.home-office.com:80/certsrv/mscep/mscep.dll
serial-number none
fqdn none
ip-address none
subject-name o=Home Office Inc,cn=Central VPN Gateway
revocation-check crl

```

### Trustpoint on the Branch 1 Site Router

```

Router# show crypto ca certificate
Certificate
  Status: Available
  Certificate Serial Number: 2F62BE1400000000CA0
  Certificate Usage: General Purpose
  Issuer:
    cn=Central Certificate Authority
    o=Home Office Inc
  Subject:
    Name: Branch 1 Site
    cn=Branch 1 Site
    o=Home Office Inc
  CRL Distribution Points:
    http://ca.home-office.com/CertEnroll/home-office.crl
  Validity Date:
    start date: 00:43:26 GMT Sep 26 2003

```

```

end date: 00:53:26 GMT Oct 3 2003
renew date: 00:00:00 GMT Jan 1 1970
Associated Trustpoints: home-office
CA Certificate
Status: Available
Certificate Serial Number: 1244325DE0369880465F977A18F61CA8
Certificate Usage: Signature
Issuer:
  cn=Central Certificate Authority
  o=Home Office Inc
Subject:
  cn=Central Certificate Authority
  o=Home Office Inc
CRL Distribution Points:
  http://ca.home-office.com/CertEnroll/home-office.crl
Validity Date:
  start date: 22:19:29 GMT Oct 31 2002
  end date: 22:27:27 GMT Oct 31 2017
Associated Trustpoints: home-office

```

A certificate map is entered on the central site router.

```

Router# configure terminal
Enter configuration commands, one per line. End with CNTL/Z.
Router (config)# crypto pki certificate map branch1 10
Router (ca-certificate-map)# issuer-name co cn=Central Certificate Authority, ou=Home Office Inc
!The above line wrapped but should be part of the line above it.
Router (ca-certificate-map)# subject-name eq cn=Brahcn 1 Site,o=home office inc
The certificate map is added to the trustpoint.

```

```

Router (ca-certificate-map)# crypto pki trustpoint VPN-GW
Router (ca-trustpoint)# match certificate branch1 allow expired-certificate
Router (ca-trustpoint)# exit
Router (config) #exit
The configuration should be checked (most of the configuration is not shown).

```

```

Router# write term
!many lines left out
crypto pki trustpoint VPN-GW
  enrollment url http://ca.home-office.com:80/certsrv/mscep/mscep.dll
  serial-number none
  fqdn none
  ip-address none
  subject-name o=Home Office Inc,cn=Central VPN Gateway
  revocation-check crl
  match certificate branch1 allow expired-certificate
!
!
crypto pki certificate map central-site 10
  issuer-name co cn = Central Certificate Authority, ou = Home Office Inc
  subject-name eq cn = central vpn gateway, o = home office inc
! many lines left out

```

The **match certificate** command and **branch1 allow expired-certificate** (argument and keyword) and the certificate map should be removed as soon as the branch router has a new certificate.

## Configuring Certificate Authorization and Revocation Settings Examples

This section contains the following configuration examples that can be used when specifying a CRL cache control setting or certificate serial number session control:

## Configuring CRL Cache Control

The following example shows how to disable CRL caching for all CRLs associated with the CA1 trustpoint:

```
crypto pki trustpoint CA1
  enrollment url http://CA1:80
  ip-address FastEthernet0/0
  crl query ldap://ldap_CA1
  revocation-check crl
  crl-cache none
```

The current CRL is still cached immediately after executing the example configuration shown above:

Router# **show crypto pki crls**

```
CRL Issuer Name:
  cn=name Cert Manager,ou=pki,o=example.com,c=US
  LastUpdate: 18:57:42 GMT Nov 26 2005
  NextUpdate: 22:57:42 GMT Nov 26 2005
  Retrieved from CRL Distribution Point:
    ldap://ldap.example.com/CN=name Cert Manager,O=example.com
```

When the current CRL expires, a new CRL is then downloaded to the router at the next update. The **crl-cache none** command takes effect and all CRLs for the trustpoint are no longer cached; caching is disabled. You can verify that no CRL is cached by executing the **show crypto pki crls** command. No output will be shown because there are no CRLs cached.

The following example shows how to configure the maximum lifetime of 2 minutes for all CRLs associated with the CA1 trustpoint:

```
crypto pki trustpoint CA1
  enrollment url http://CA1:80
  ip-address FastEthernet0/0
  crl query ldap://ldap_CA1
  revocation-check crl
  crl-cache delete-after 2
```

The current CRL is still cached immediately after executing the example configuration above for setting the maximum lifetime of a CRL:

Router# **show crypto pki crls**

```
CRL Issuer Name:
  cn=name Cert Manager,ou=pki,o=example.com,c=US
  LastUpdate: 18:57:42 GMT Nov 26 2005
  NextUpdate: 22:57:42 GMT Nov 26 2005
  Retrieved from CRL Distribution Point:
    ldap://ldap.example.com/CN=name Cert Manager,O=example.com
```

When the current CRL expires, a new CRL is downloaded to the router at the next update and the **crl-cache delete-after** command takes effect. This newly cached CRL and all subsequent CRLs will be deleted after a maximum lifetime of 2 minutes.

You can verify that the CRL will be cached for 2 minutes by executing the **show crypto pki crls**

command. Note that the NextUpdate time is 2 minutes after the LastUpdate time.

Router# **show crypto pki crls**

```
CRL Issuer Name:
  cn=name Cert Manager,ou=pki,o=example.com,c=US
  LastUpdate: 22:57:42 GMT Nov 26 2005

  NextUpdate: 22:59:42 GMT Nov 26 2005
  Retrieved from CRL Distribution Point:
  ldap://ldap.example.com/CN=name Cert Manager,O=example.com
```

## Configuring Certificate Serial Number Session Control

The following example shows the configuration of certificate serial number session control using a certificate map for the CA1 trustpoint:

```
crypto pki trustpoint CA1
  enrollment url http://CA1
  chain-validation stop
  crl query ldap://ldap_server
  revocation-check crl
  match certificate crl
!
crypto pki certificate map crl 10
  serial-number co 279d
```



### Note

If the *match-criteria* value is set to **eq** (equal) instead of **co** (contains), the serial number must match the certificate map serial number exactly, including any spaces.

The following example shows the configuration of certificate serial number session control using AAA attributes. In this case, all valid certificates will be accepted if the certificate does not have the serial number "4ACA."

```
crypto pki trustpoint CA1
  enrollment url http://CA1
  ip-address FastEthernet0/0
  crl query ldap://ldap_CA1
  revocation-check crl
  aaa new-model
!
aaa attribute list crl
attribute-type aaa-cert-serial-not 4ACA
```

The server log shows that the certificate with the serial number "4ACA" was rejected. The certificate rejection is shown using exclamation points.

```
.
.
.
Dec 3 04:24:39.051: CRYPTO_PKI: Trust-Point CA1 picked up
Dec 3 04:24:39.051: CRYPTO_PKI: locked trustpoint CA1, refcount is 1
Dec 3 04:24:39.051: CRYPTO_PKI: unlocked trustpoint CA1, refcount is 0
Dec 3 04:24:39.051: CRYPTO_PKI: locked trustpoint CA1, refcount is 1
Dec 3 04:24:39.135: CRYPTO_PKI: validation path has 1 certs
Dec 3 04:24:39.135: CRYPTO_PKI: Found a issuer match
Dec 3 04:24:39.135: CRYPTO_PKI: Using CA1 to validate certificate
Dec 3 04:24:39.135: CRYPTO_PKI: Certificate validated without revocation check
Dec 3 04:24:39.135: CRYPTO_PKI: Selected AAA username: 'PKIAAA'
Dec 3 04:24:39.135: CRYPTO_PKI: Anticipate checking AAA list:'CRL'
Dec 3 04:24:39.135: CRYPTO_PKI AAA: checking AAA authorization (CRL, PKIAAA-L1, <all>)
Dec 3 04:24:39.135: CRYPTO_PKI AAA: pre-authorization chain validation status (0x4)
Dec 3 04:24:39.135: AAA/BIND(00000021): Bind i/f
Dec 3 04:24:39.135: AAA/AUTHOR (0x21): Pick method list 'CRL'
.
.
.
Dec 3 04:24:39.175: CRYPTO_PKI AAA: reply attribute ("cert-application" = "all")
Dec 3 04:24:39.175: CRYPTO_PKI AAA: reply attribute ("cert-trustpoint" = "CA1")
!
Dec 3 04:24:39.175: CRYPTO_PKI AAA: reply attribute ("cert-serial-not" = "4ACA")
Dec 3 04:24:39.175: CRYPTO_PKI AAA: cert-serial doesn't match ("4ACA" != "4ACA")
!
Dec 3 04:24:39.175: CRYPTO_PKI AAA: post-authorization chain validation status (0x7)
!
Dec 3 04:24:39.175: CRYPTO_PKI: AAA authorization for list 'CRL', and user 'PKIAAA' failed.
```

```

Dec 3 04:24:39.175: CRYPTO PKI: chain cert was anchored to trustpoint CA1, and chain
validation result was: CRYPTO_PKI_CERT_NOT_AUTHORIZED
!
Dec 3 04:24:39.175: %CRYPTO-5-IKMP_INVALID_CERT: Certificate received from 192.0.2.43 is bad:
certificate invalid
Dec 3 04:24:39.175: %CRYPTO-6-IKMP_MODE_FAILURE: Processing of Main mode failed with peer
at 192.0.2.43
.
.
.

```

## Configuring Certificate Chain Validation Examples

This section contains the following configuration examples that can be used to specify the level of certificate chain processing for your device certificates:

### Configuring Certificate Chain Validation from Peer to Root CA

In the following configuration example, all of the certificates will be validated--the peer, SubCA11, SubCA1, and RootCA certificates.

```

crypto pki trustpoint RootCA
  enrollment terminal
  chain-validation stop
  revocation-check none
  rsa-keypair RootCA
crypto pki trustpoint SubCA1
  enrollment terminal
  chain-validation continue RootCA
  revocation-check none
  rsa-keypair SubCA1
crypto pki trustpoint SubCA11
  enrollment terminal
  chain-validation continue SubCA1
  revocation-check none
  rsa-keypair SubCA11

```

### Configuring Certificate Chain Validation from Peer to Subordinate CA

In the following configuration example, the following certificates will be validated--the peer and SubCA1 certificates.

```

crypto pki trustpoint RootCA
  enrollment terminal
  chain-validation stop
  revocation-check none
  rsa-keypair RootCA
crypto pki trustpoint SubCA1
  enrollment terminal
  chain-validation continue RootCA
  revocation-check none
  rsa-keypair SubCA1
crypto pki trustpoint SubCA11
  enrollment terminal
  chain-validation continue SubCA1
  revocation-check none
  rsa-keypair SubCA11

```

## Configuring Certificate Chain Validation Through a Gap

In the following configuration example, SubCA1 is not in the configured Cisco IOS hierarchy but is expected to have been supplied in the certificate chain presented by the peer.

If the peer supplies the SubCA1 certificate in the presented certificate chain, the following certificates will be validated--the peer, SubCA11, and SubCA1 certificates.

If the peer does not supply the SubCA1 certificate in the presented certificate chain, the chain validation will fail.

```
crypto pki trustpoint RootCA
  enrollment terminal
  chain-validation stop
  revocation-check none
  rsakeypair RootCA
crypto pki trustpoint SubCA11
  enrollment terminal
  chain-validation continue RootCA
  revocation-check none
  rsakeypair SubCA11
```

## Additional References

### Related Documents

Related Topic	Document Title
PKI commands: complete command syntax, command mode, defaults, usage guidelines, and examples	<i>Cisco IOS Security Command Reference</i>
Overview of PKI, including RSA keys, certificate enrollment, and CAs	“Cisco IOS PKI Overview: Understanding and Planning a PKI” module
RSA key generation and deployment	“Deploying RSA Keys Within a PKI” module
Certificate enrollment: supported methods, enrollment profiles, configuration tasks	“Configuring Certificate Enrollment for a PKI” module
Cisco IOS certificate server overview information and configuration tasks	“Configuring and Managing a Cisco IOS Certificate Server for PKI Deployment ” module
Recommended cryptographic algorithms	<a href="#">Next Generation Encryption</a>

**Technical Assistance**

Description	Link
The Cisco Support and Documentation website provides online resources to download documentation, software, and tools. Use these resources to install and configure the software and to troubleshoot and resolve technical issues with Cisco products and technologies. Access to most tools on the Cisco Support and Documentation website requires a Cisco.com user ID and password.	<a href="http://www.cisco.com/cisco/web/support/index.html">http://www.cisco.com/cisco/web/support/index.html</a>

## Feature Information for Certificate Authorization and Revocation

The following table provides release information about the feature or features described in this module. This table lists only the software release that introduced support for a given feature in a given software release train. Unless noted otherwise, subsequent releases of that software release train also support that feature.

Use Cisco Feature Navigator to find information about platform support and Cisco software image support. To access Cisco Feature Navigator, go to [www.cisco.com/go/cfn](http://www.cisco.com/go/cfn). An account on Cisco.com is not required.

**Table 3: Feature Information for PKI Certificate Authorization and Revocation**

Feature Name	Releases	Feature Information
Cache Control Enhancements for Certification Revocation Lists	Cisco IOS XE Release 2.4	<p>This feature provides users the ability to disable CRL caching or to specify the maximum lifetime for which a CRL will be cached in router memory. It also provides functionality to configure certificate serial number session control.</p> <p>The following commands were introduced or modified by this feature: <b>crl-cache delete-after</b>, <b>crl-cache none</b>, <b>crypto pki certificate map</b></p>

Feature Name	Releases	Feature Information
Certificate-Complete Chain Validation	Cisco IOS XE Release 2.4	<p>This feature provides users the ability to configure the level to which a certificate chain is processed on all certificates including subordinate CA certificates.</p> <p>The following command was introduced by this feature:</p> <p><b>chain-validation</b></p>
OCSP - Server Certification from Alternate Hierarchy	Cisco IOS XE Release 2.4	<p>This feature provides users with the flexibility to specify multiple OCSP servers, either per client certificate or per group of client certificates, and provides the capability for OCSP server validation based on external CA certificates or self-signed certificates.</p> <p>The following command was introduced by this feature: <b>match certificate override ocsf</b></p>
Optional OCSP Nonce	Cisco IOS XE Release 2.1	<p>This feature provides users with the ability to configure the sending of a nonce, or unique identifier for an OCSP request, during OCSP communications.</p>
Certificate Security Attribute-Based Access Control	Cisco IOS XE Release 2.1	<p>Under the IPsec protocol, CA interoperability permits Cisco IOS devices and a CA to communicate so that the Cisco IOS device can obtain and use digital certificates from the CA. Certificates contain several fields that are used to determine whether a device or user is authorized to perform a specified action. This feature adds fields to the certificate that allow specifying an ACL, creating a certificate-based ACL.</p> <p>The following commands were introduced or modified by this feature: <b>crypto pki certificate map, crypto pki trustpoint match certificate</b></p>



Feature Name	Releases	Feature Information
Online Certificate Status Protocol (OCSP)	Cisco IOS XE Release 2.1	<p>This feature allows users to enable OCSP instead of CRLs to check certificate status. Unlike CRLs, which provide only periodic certificate status, OCSP can provide timely information regarding the status of a certificate.</p> <p>The following commands were introduced by this feature: <b>ocsp url, revocation-check</b></p>
PKI AAA Authorization Using the Entire Subject Name	Cisco IOS XE Release 2.1	<p>This feature provides users with the ability to query the AAA server using the entire subject name from the certificate as a unique AAA username.</p> <p>The following command was modified by this feature: <b>authorization username</b></p>
PKI Integration with AAA Server	Cisco IOS XE Release 2.1	<p>This feature provides additional scalability for authorization by generating a AAA username from the certificate presented by the peer. A AAA server is queried to determine whether the certificate is authorized for use by the internal component. The authorization is indicated by a component-specified label that must be present in the AV pair for the user.</p> <p>The following commands were introduced by this feature: <b>authorization list, authorization username</b></p>

Feature Name	Releases	Feature Information
PKI: Query Multiple Servers During Certificate Revocation Check	Cisco IOS XE Release 2.1	<p>This feature introduces the ability for Cisco IOS software to make multiple attempts to retrieve the CRL, allowing operations to continue when a particular server is not available. In addition, the ability to override the CDPs in a certificate with a manually configured CDP has been introduced. Manually overriding the CDPs in a certificate can be advantageous when a particular server is unavailable for an extended period of time. The certificate's CDPs can be replaced with a URL or directory specification without reissuing all of the certificates that contain the original CDP.</p> <p>The following command was introduced by this feature: <b>match certificate override cdp</b></p>
Using Certificate ACLs to Ignore Revocation Check and Expired Certificates	Cisco IOS XE Release 2.1	<p>This feature allows a certificate that meets specified criteria to be accepted regardless of the validity period of the certificate, or if the certificate meets the specified criteria, revocation checking does not have to be performed. Certificate ACLs are used to specify the criteria that the certificate must meet to be accepted or to avoid revocation checking. In addition, if AAA communication is protected by a certificate, this feature provides for the AAA checking of the certificate to be ignored.</p> <p>The following command was modified by this feature: <b>match certificate</b></p>
Query Mode Definition Per Trustpoint	Cisco IOS XE Release 2.1	<p>This feature was introduced on the Cisco ASR 1000 series routers.</p>

Feature Name	Releases	Feature Information
PKI High Availability	Cisco IOS XE Release 3.2S	The following commands were introduced or modified: <b>crypto pki server</b> , <b>crypto pki server start</b> , <b>crypto pki server stop</b> , <b>crypto pki trustpoint</b> , <b>crypto key generate rsa</b> , <b>crypto key import pem</b> , <b>crypto key move rsa</b> , <b>show crypto key mypubkey rsa</b> .





## Configuring Certificate Enrollment for a PKI

This module describes the different methods available for certificate enrollment and how to set up each method for a participating PKI peer. Certificate enrollment, which is the process of obtaining a certificate from a certification authority (CA), occurs between the end host that requests the certificate and the CA. Each peer that participates in the public key infrastructure (PKI) must enroll with a CA.



### Note

Security threats, as well as the cryptographic technologies to help protect against them, are constantly changing. For more information about the latest Cisco cryptographic recommendations, see the [Next Generation Encryption \(NGE\)](#) white paper.

- [Finding Feature Information](#), page 81
- [Prerequisites for PKI Certificate Enrollment](#), page 82
- [Information About Certificate Enrollment for a PKI](#), page 82
- [How to Configure Certificate Enrollment for a PKI](#), page 86
- [Configuration Examples for PKI Certificate Enrollment Requests](#), page 111
- [Additional References](#), page 118
- [Feature Information for PKI Certificate Enrollment](#), page 120

## Finding Feature Information

Your software release may not support all the features documented in this module. For the latest caveats and feature information, see [Bug Search Tool](#) and the release notes for your platform and software release. To find information about the features documented in this module, and to see a list of the releases in which each feature is supported, see the feature information table.

Use Cisco Feature Navigator to find information about platform support and Cisco software image support. To access Cisco Feature Navigator, go to [www.cisco.com/go/cfn](http://www.cisco.com/go/cfn). An account on Cisco.com is not required.

## Prerequisites for PKI Certificate Enrollment

Before configuring peers for certificate enrollment, you should have the following items:

- A generated Rivest, Shamir, and Adelman (RSA) key pair to enroll and a PKI in which to enroll.
- An authenticated CA.
- Familiarity with the module “Cisco IOS PKI Overview: Understanding and Planning a PKI.”
- Enable NTP on the device so that the PKI services such as auto enrollment and certificate rollover may function correctly.

**Note**

---

As of Cisco IOS Release 12.3(7)T, all commands that begin with “**crypto ca**” have been changed to begin with “**crypto pki**.” Although the router will still accept **crypto ca** commands, all output will be displayed **crypto pki**.

---

## Information About Certificate Enrollment for a PKI

### What Are CAs

A CA is an entity that issues digital certificates that other parties can use. It is an example of a trusted third party. CAs are characteristic of many PKI schemes.

A CA manages certificate requests and issues certificates to participating network devices. These services provide centralized key management for the participating devices to validate identities and to create digital certificates. Before any PKI operations can begin, the CA generates its own public key pair and creates a self-signed CA certificate; thereafter, the CA can sign certificate requests and begin peer enrollment for the PKI.

You can use the Cisco IOS certificate server or a CA provided by a third-party CA vendor.

### Framework for Multiple CAs

A PKI can be set up in a hierarchical framework to support multiple CAs. At the top of the hierarchy is a root CA, which holds a self-signed certificate. The trust within the entire hierarchy is derived from the RSA key pair of the root CA. The subordinate CAs within the hierarchy can be enrolled with either the root CA or with another subordinate CA. Multiple tiers of CAs are configured by either the root CA or with another subordinate CA. Within a hierarchical PKI, all enrolled peers can validate the certificate of one another if the peers share a trusted root CA certificate or a common subordinate CA.

#### When to Use Multiple CAs

Multiple CAs provide users with added flexibility and reliability. For example, subordinate CAs can be placed in branch offices while the root CA is at the office headquarters. Also, different granting policies can be

implemented per CA, so you can set up one CA to automatically grant certificate requests while another CA within the hierarchy requires each certificate request to be manually granted.

Scenarios in which at least a two-tier CA is recommended are as follows:

- Large and very active networks in which a large number of certificates are revoked and reissued. A multiple tier CA helps to control the size of the certificate revocation lists (CRLs).
- When online enrollment protocols are used, the root CA can be kept offline except to issue subordinate CA certificates. This scenario provides added security for the root CA.

## Authentication of the CA

The certificate of the CA must be authenticated before the device will be issued its own certificate and before certificate enrollment can occur. Authentication of the CA typically occurs only when you initially configure PKI support at your router. To authenticate the CA, issue the **crypto pki authenticate** command, which authenticates the CA to your router by obtaining the self-signed certificate of the CA that contains the public key of the CA.

### Authentication via the fingerprint Command

Cisco IOS Release 12.3(12) and later releases allow you to issue the **fingerprint** command to preenter a fingerprint that can be matched against the fingerprint of a CA certificate during authentication.

If a fingerprint is not preentered for a trustpoint, and if the authentication request is interactive, you must verify the fingerprint that is displayed during authentication of the CA certificate. If the authentication request is noninteractive, the certificate will be rejected without a preentered fingerprint.

**Note**

---

If the authentication request is made using the command-line interface (CLI), the request is an interactive request. If the authentication request is made using HTTP or another management tool, the request is a noninteractive request.

---

## Supported Certificate Enrollment Methods

Cisco IOS software supports the following methods to obtain a certificate from a CA:

- Simple Certificate Enrollment Protocol (SCEP)--A Cisco-developed enrollment protocol that uses HTTP to communicate with the CA or registration authority (RA). SCEP is the most commonly used method for sending and receiving requests and certificates.

**Note**

---

To take advantage of automated certificate and key rollover functionality, you must be running a CA that supports rollover and SCEP must be used as your client enrollment method. If you are running a Cisco IOS CA, you must be running Cisco IOS Release 12.4(2)T or a later release for rollover support.

---

- PKCS12--The router imports certificates in PKCS12 format from an external server.

- IOS File System (IFS)--The router uses any file system that is supported by Cisco IOS software (such as TFTP, FTP, flash, and NVRAM) to send a certificate request and to receive the issued certificate. Users may enable IFS certificate enrollment when their CA does not support SCEP.

**Note**


---

Prior to Cisco IOS Release 12.3(4)T, only the TFTP file system was supported within IFS.

---

- Manual cut-and-paste--The router displays the certificate request on the console terminal, allowing the user to enter the issued certificate on the console terminal. A user may manually cut-and-paste certificate requests and certificates when there is no network connection between the router and CA.
- Enrollment profiles--The router sends HTTP-based enrollment requests directly to the CA server instead of to the RA-mode certificate server (CS). Enrollment profiles can be used if a CA server does not support SCEP.
- Self-signed certificate enrollment for a trustpoint--The secure HTTP (HTTPS) server generates a self-signed certificate that is to be used during the secure socket layer (SSL) handshake, establishing a secure connection between the HTTPS server and the client. The self-signed certificate is then saved in the router's startup configuration (NVRAM). The saved, self-signed certificate can then be used for future SSL handshakes, eliminating the user intervention that was necessary to accept the certificate every time the router reloaded.

**Note**


---

To take advantage of autoenrollment and autoreenrollment, do not use either TFTP or manual cut-and-paste enrollment as your enrollment method. Both TFTP and manual cut-and-paste enrollment methods are manual enrollment processes, requiring user input.

---

## Cisco IOS Suite-B Support for Certificate Enrollment for a PKI

Suite-B requirements comprise of four user interface suites of cryptographic algorithms for use with IKE and IPsec that are described in RFC 4869. Each suite consists of an encryption algorithm, a digital signature algorithm, a key agreement algorithm, and a hash or message digest algorithm.

Suite-B adds the following support for the certificate enrollment for a PKI:

- Elliptic Curve Digital Signature Algorithm (ECDSA) (256-bit and 384-bit curves) is used for the signature operation within X.509 certificates.
- PKI support for validation of for X.509 certificates using ECDSA signatures.
- PKI support for generating certificate requests using ECDSA signatures and for importing the issued certificates into IOS.

See the Configuring Security for VPNs with IPsec feature module for more detailed information about Cisco IOS Suite-B support.



## Registration Authorities

A Cisco IOS certificate server can be configured to run in RA mode. An RA offloads authentication and authorization responsibilities from a CA. When the RA receives a SCEP or manual enrollment request, the administrator can either reject or grant it on the basis of local policy. If the request is granted, it will be forwarded to the issuing CA, and the CA can be configured to automatically generate the certificate and return it to the RA. The client can later retrieve the granted certificate from the RA.

## Automatic Certificate Enrollment

Automatic certificate enrollment allows the CA client to automatically request a certificate from its CA sever. This automatic router request eliminates the need for operator intervention when the enrollment request is sent to the CA server. Automatic enrollment is performed on startup for any trustpoint CA that is configured and that does not have a valid client certificate. When the certificate expires, a new certificate is automatically requested.



### Note

---

When automatic enrollment is configured, clients automatically request client certificates. The CA server performs its own authorization checks; if these checks include a policy to automatically issue certificates, all clients will automatically receive certificates, which is not very secure. Thus, automatic certificate enrollment should be combined with additional authentication and authorization mechanisms (such as Secure Device Provisioning (SDP), leveraging existing certificates, and one-time passwords).

---

### Automated Client Certificate and Key Rollover

By default, the automatic certificate enrollment function requests a new client certificate and keys from the CS before the client's current certificate expires. Certificate and key rollover allows the certificate renewal rollover request to be made before the certificate expires by retaining the current key and certificate until the new, or rollover, certificate is available. After a specified amount of time, the rollover certificate and keys will become the active certificate and keys. The expired certificate and keys are immediately deleted upon rollover and removed from the certificate chain and CRL.

The setup for automatic rollover is twofold: CA clients must be automatically enrolled and the client's CAs must be automatically enrolled and have the **auto-rollover** command enabled. For more information on configuring your CA servers for automatic certificate rollover see the section "Automatic CA Certificate and Key Rollover" in the chapter "Configuring and Managing a Cisco IOS Certificate Server for PKI Deployment" of the *Public Key Infrastructure Configuration Guide*.

An optional renewal percentage parameter can be used with the **auto-enroll** command to allow a new certificate to be requested when a specified percentage of the lifetime of the certificate has passed. For example, if the renewal percentage is configured as 90 and the certificate has a lifetime of one year, a new certificate is requested 36.5 days before the old certificate expires. In order for automatic rollover to occur, the renewal percentage must be less than 100. The specified percent value must not be less than 10. If a client certificate is issued for less than the configured validity period due to the impending expiration of the CA certificate, the rollover certificate will be issued for the balance of that period. A minimum of 10 percent of the configured validity period, with an absolute minimum of 3 minutes, is required to allow rollover enough time to function.

**Tip**

If CA autoenrollment is not enabled, you may manually initiate rollover on an existing client with the **crypto pki enroll** command if the expiration time of the current client certificate is equal to or greater than the expiration time of the corresponding CA certificate. The client will initiate the rollover process, which occurs only if the server is configured for automated rollover and has an available rollover server certificate.

**Note**

A key pair is also sent if configured by the **auto-enroll re-generate** command and keyword. It is recommended that a new key pair be issued for security reasons.

## Certificate Enrollment Profiles

Certificate enrollment profiles allow users to specify certificate authentication, enrollment, and reenrollment parameters when prompted. The values for these parameters are referenced by two templates that make up the profile. One template contains parameters for the HTTP request that is sent to the CA server to obtain the certificate of the CA (also known as certificate authentication); the other template contains parameters for the HTTP request that is sent to the CA for certificate enrollment.

Configuring two templates enables users to specify different URLs or methods for certificate authentication and enrollment; for example, authentication (getting the certificate of the CA) can be performed via TFTP (using the **authentication url** command) and enrollment can be performed manually (using the **enrollment terminal** command).

Prior to Cisco IOS Release 12.3(11)T, certificate requests could be sent only in a PKCS10 format; however, an additional parameter was added to the profile, allowing users to specify the PKCS7 format for certificate renewal requests.

**Note**

A single enrollment profile can have up to three separate sections for each task--certificate authentication, enrollment, and reenrollment.

## How to Configure Certificate Enrollment for a PKI

This section contains the following enrollment option procedures. If you configure enrollment or autoenrollment (the first task), you cannot configure manual certificate enrollment. Also, if you configure TFTP or manual cut-and-paste certificate enrollment, you cannot configure autoenrollment, autoreenrollment, an enrollment profile, nor can you utilize the automated CA certificate rollover capability.

## Configuring Certificate Enrollment or Autoenrollment

Perform this task to configure certificate enrollment or autoenrollment for clients participating in your PKI.

## Before You Begin

Before configuring automatic certificate enrollment requests, you should ensure that all necessary enrollment information is configured.

### Prerequisites for Enabling Automated Client Certificate and Key Rollover

CA client support for certificate rollover is automatically enabled when using autoenrollment. For automatic CA certificate rollover to run successfully, the following prerequisites are applicable:

- Your network devices must support shadow PKI.
- Your clients must be running Cisco IOS Release 12.4(2)T or a later release.
- The client's CS must support automatic rollover. See the section "Automatic CA Certificate and Key Rollover" in the chapter "Configuring and Managing a Cisco IOS Certificate Server for PKI Deployment" of the *Public Key Infrastructure Configuration Guide* for more information on CA server automatic rollover configuration.

### Prerequisites for Specifying Autoenrollment Initial Key Generation Location

To specify the location of the autoenrollment initial key generation, you must be running Cisco IOS Release 12.4(11)T or a later release.



---

#### Note RSA Key Pair Restriction for Autoenrollment

Trustpoints configured to generate a new key pair using the **regenerate** command or the **regenerate** keyword of the **auto-enroll** command must not share key pairs with other trustpoints. To give each trustpoint its own key pair, use the **rsakeypair** command in ca-trustpoint configuration mode. Sharing key pairs among regenerating trustpoints is not supported and will cause loss of service on some of the trustpoints because of key and certificate mismatches.

#### Restrictions for Automated Client Certificate and Key Rollover

In order for clients to run automatic CA certificate rollover successfully, the following restrictions are applicable:

- SCEP must be used to support rollover. Any device that enrolls with the PKI using an alternative to SCEP as the certificate management protocol or mechanism (such as enrollment profiles, manual enrollment, or TFTP enrollment) will not be able to take advantage of the rollover functionality provided by SCEP.
- If the configuration cannot be saved to the startup configuration after a shadow certificate is generated, rollover will not occur.

>



---

**Note** Security threats, as well as the cryptographic technologies to help protect against them, are constantly changing. For more information about the latest Cisco cryptographic recommendations, see the [Next Generation Encryption \(NGE\)](#) white paper.

---

## SUMMARY STEPS

1. **enable**
2. **configure terminal**
3. **crypto pki trustpoint** *name*
4. **enrollment** [**mode** | **retry period** *minutes* | **retry count** *number*] **url** *url* [**pem**]
5. **ekeypair** *label*
6. **subject-name** [*x.500-name*]
7. **vrf** *vrf-name*
8. **ip-address** {*ip-address* | *interface* | **none**}
9. **serial-number** [*none*]
10. **auto-enroll** [*percent*] [**regenerate**]
11. **usage** *method1* [*method2* [*method3*]]
12. **password** *string*
13. **rsa****keypair** *key-label* *key-size* *encryption-key-size* ]]
14. **fingerprint** *ca-fingerprint*
15. **on** *devicename* :
16. **exit**
17. **crypto pki authenticate** *name*
18. **exit**
19. **copy system:running-config nvram:startup-config**
20. **show crypto pki certificates**

## DETAILED STEPS

	Command or Action	Purpose
<b>Step 1</b>	<b>enable</b>  <b>Example:</b> Router> enable	Enables privileged EXEC mode.  <ul style="list-style-type: none"> <li>• Enter your password if prompted.</li> </ul>
<b>Step 2</b>	<b>configure terminal</b>  <b>Example:</b> Router# configure terminal	Enters global configuration mode.
<b>Step 3</b>	<b>crypto pki trustpoint</b> <i>name</i>  <b>Example:</b> Router(config)# crypto pki trustpoint mytp	Declares the trustpoint and a given name and enters ca-trustpoint configuration mode.

	Command or Action	Purpose
<b>Step 4</b>	<p><b>enrollment</b> [<i>mode</i>   <b>retry period</b> <i>minutes</i>   <b>retry count</b> <i>number</i>] <b>url</b> <i>url</i> [<b>pem</b>]</p> <p><b>Example:</b></p> <pre>Router(ca-trustpoint)# enrollment url http://cat.example.com</pre>	<p>Specifies the URL of the CA on which your router should send certificate requests.</p> <ul style="list-style-type: none"> <li>• <b>mode</b> --Specifies RA mode if your CA system provides an RA.</li> <li>• <b>retry period</b> <i>minutes</i> --Specifies the wait period between certificate request retries. The default is 1 minute between retries.</li> <li>• <b>retry count</b> <i>number</i> -- Specifies the number of times a router will resend a certificate request when it does not receive a response from the previous request. (Specify from 1 to 100 retries.)</li> <li>• <b>url</b> <i>url</i> -- URL of the file system where your router should send certificate requests. An IPv6 address can be added in the URL enclosed in brackets. For example: <code>http:// [2001:DB8:1:1::1]:80</code>. For more enrollment method options, see the <a href="#">enrollment url (ca-trustpoint)</a> command page.</li> <li>• <b>pem</b> -- Adds privacy-enhanced mail (PEM) boundaries to the certificate request.</li> </ul> <p><b>Note</b> An enrollment method other than TFTP or manual cut-and-paste must be configured to support autoenrollment.</p>
<b>Step 5</b>	<p><b>eckeypair</b> <i>label</i></p> <p><b>Example:</b></p> <pre>Router(ca-trustpoint)# eckeypair Router_1_Key</pre>	<p>(Optional) Configures the trustpoint to use an Elliptic Curve (EC) key on which certificate requests are generated using ECDSA signatures. The <i>label</i> argument specifies the EC key label that is configured using the <b>crypto key generate rsa</b> or <b>crypto key generate ec keysizes</b> command in global configuration mode. See the Configuring Internet Key Exchange for IPsec VPNs feature module for more information.</p> <p><b>Note</b> If an ECDSA signed certificate is imported without a trustpoint configuration, then the label defaults to the FQDN value.</p>
<b>Step 6</b>	<p><b>subject-name</b> [<i>x.500-name</i>]</p> <p><b>Example:</b></p> <pre>Router(ca-trustpoint)# subject-name cat</pre>	<p>(Optional) Specifies the requested subject name that will be used in the certificate request.</p> <ul style="list-style-type: none"> <li>• <i>x.500-name</i> --If it is not specified, the fully qualified domain name (FQDN), which is the default subject name, will be used.</li> </ul>
<b>Step 7</b>	<p><b>vrf</b> <i>vrf-name</i></p> <p><b>Example:</b></p> <pre>Router(ca-trustpoint)# vrf myvrf</pre>	<p>(Optional) Specifies the the VRF instance in the public key infrastructure (PKI) trustpoint to be used for enrollment, certificate revocation list (CRL) retrieval, and online certificate status protocol (OCSP) status.</p>
<b>Step 8</b>	<p><b>ip-address</b> {<i>ip-address</i>   <i>interface</i>   <b>none</b>}</p> <p><b>Example:</b></p> <pre>Router(ca-trustpoint)# ip address 192.168.1.66</pre>	<p>(Optional) Includes the IP address of the specified interface in the certificate request.</p> <ul style="list-style-type: none"> <li>• Issue the <i>ip-address</i> argument to specify either an IPv4 or IPv6 address.</li> <li>• Issue the <i>interface</i> argument to specify an interface on the router.</li> <li>• Issue the <b>none</b> keyword if no IP address should be included.</li> </ul>

	Command or Action	Purpose
		<p><b>Note</b> If this command is enabled, you will not be prompted for an IP address during enrollment for this trustpoint.</p>
<b>Step 9</b>	<p>serial-number [none]</p> <p><b>Example:</b></p> <pre>Router(ca-trustpoint)# serial-number</pre>	<p>(Optional) Specifies the router serial number in the certificate request, unless the <b>none</b> keyword is issued.</p> <ul style="list-style-type: none"> <li>Issue the <b>none</b> keyword to specify that a serial number will not be included in the certificate request.</li> </ul>
<b>Step 10</b>	<p>auto-enroll [<i>percent</i>] [<b>regenerate</b>]</p> <p><b>Example:</b></p> <pre>Router(ca-trustpoint)# auto-enroll regenerate</pre>	<p>(Optional) Enables autoenrollment, allowing the client to automatically request a rollover certificate from the CA.</p> <ul style="list-style-type: none"> <li>If autoenrollment is not enabled, the client must be manually re-enrolled in your PKI upon certificate expiration.</li> <li>By default, only the Domain Name System (DNS) name of the router is included in the certificate.</li> <li>Use the <i>percent</i> argument to specify that a new certificate will be requested after the percentage of the lifetime of the current certificate is reached.</li> <li>Use the <b>regenerate</b> keyword to generate a new key for the certificate even if a named key already exists.</li> </ul> <p><b>Note</b> If the key pair being rolled over is exportable, the new key pair will also be exportable. The following comment will appear in the trustpoint configuration to indicate whether the key pair is exportable: “! RSA key pair associated with trustpoint is exportable.”</p> <p><b>Note</b> It is recommended that a new key pair be generated for security reasons.</p>
<b>Step 11</b>	<p>usage <i>method1</i> [<i>method2</i> [<i>method3</i>]]</p> <p><b>Example:</b></p> <pre>Router(ca-trustpoint)# usage ssl-client</pre>	<p>(Optional) Specifies the intended use for the certificate.</p> <ul style="list-style-type: none"> <li>Available options are <b>ike</b>, <b>ssl-client</b>, and <b>ssl-server</b>; the default is <b>ike</b>.</li> </ul>
<b>Step 12</b>	<p>password <i>string</i></p> <p><b>Example:</b></p> <pre>Router(ca-trustpoint)# password string1</pre>	<p>(Optional) Specifies the revocation password for the certificate.</p> <ul style="list-style-type: none"> <li>If this command is enabled, you will not be prompted for a password during enrollment for this trustpoint.</li> </ul> <p><b>Note</b> When SCEP is used, this password can be used to authorize the certificate request—often via a one-time password or similar mechanism.</p>
<b>Step 13</b>	<p>rsakeypair <i>key-label</i> <i>key-size</i> <i>encryption-key-size</i> ]]</p> <p><b>Example:</b></p> <pre>Router(ca-trustpoint)# rsakeypair key-label 2048 2048</pre>	<p>(Optional) Specifies which key pair to associate with the certificate.</p> <ul style="list-style-type: none"> <li>A key pair with the <i>key-label</i> argument will be generated during enrollment if it does not already exist or if the <b>auto-enroll regenerate</b> command was issued.</li> <li>Specify the <i>key-size</i> argument for generating the key, and specify the <i>encryption-key-size</i> argument to request separate encryption, signature</li> </ul>

	Command or Action	Purpose
		<p>keys, and certificates. The key-size and encryption-key-size must be the same size. Length of less than 2048 is not recommended.</p> <p><b>Note</b> If this command is not enabled, the FQDN key pair is used.</p>
<b>Step 14</b>	<p><b>fingerprint</b> <i>ca-fingerprint</i></p> <p><b>Example:</b></p> <pre>Router(ca-trustpoint)# fingerprint 12EF53FA 355CD23E 12EF53FA 355CD23E</pre>	<p>(Optional) Specifies a fingerprint that can be matched against the fingerprint of a CA certificate during authentication.</p> <p><b>Note</b> If the fingerprint is not provided and authentication of the CA certificate is interactive, the fingerprint will be displayed for verification.</p>
<b>Step 15</b>	<p><b>on</b> <i>devicename</i> :</p> <p><b>Example:</b></p> <pre>Router(ca-trustpoint)# on usbtoken0:</pre>	<p>(Optional) Specifies that RSA keys will be created on the specified device upon autoenrollment initial key generation.</p> <ul style="list-style-type: none"> <li>• Devices that may be specified include NVRAM, local disks, and Universal Serial Bus (USB) tokens. USB tokens may be used as cryptographic devices in addition to a storage device. Using a USB token as a cryptographic device allows RSA operations such as key generation, signing, and authentication to be performed on the token.</li> </ul>
<b>Step 16</b>	<p><b>exit</b></p> <p><b>Example:</b></p> <pre>Router(ca-trustpoint)# exit</pre>	Exits ca-trustpoint configuration mode and returns to global configuration mode.
<b>Step 17</b>	<p><b>crypto pki authenticate</b> <i>name</i></p> <p><b>Example:</b></p> <pre>Router(config)# crypto pki authenticate mytp</pre>	<p>Retrieves the CA certificate and authenticates it.</p> <ul style="list-style-type: none"> <li>• Check the certificate fingerprint if prompted.</li> </ul> <p><b>Note</b> This command is optional if the CA certificate is already loaded into the configuration.</p>
<b>Step 18</b>	<p><b>exit</b></p> <p><b>Example:</b></p> <pre>Router(config)# exit</pre>	Exits global configuration mode.
<b>Step 19</b>	<p><b>copy system:running-config</b> <b>nvrram:startup-config</b></p> <p><b>Example:</b></p> <pre>Router# copy system:running-config nvrram:startup-config</pre>	<p>(Optional) Copies the running configuration to the NVRAM startup configuration.</p> <p><b>Note</b> Autoenrollment will not update NVRAM if the running configuration has been modified but not written to NVRAM.</p>

	Command or Action	Purpose
Step 20	<b>show crypto pki certificates</b>  <b>Example:</b>  <pre>Router# show crypto pki certificates</pre>	(Optional) Displays information about your certificates, including any rollover certificates.

## Configuring Manual Certificate Enrollment

Manual certificate enrollment can be set up via TFTP or the manual cut-and-paste method. Both options can be used if your CA does not support SCEP or if a network connection between the router and CA is not possible. Perform one of the following tasks to set up manual certificate enrollment:

### PEM-Formatted Files for Certificate Enrollment Request

Using PEM-formatted files for certificate requests can be helpful for customers who are using terminal or profile-based enrollment to request certificates from their CA server. Customers using PEM-formatted files can directly use existing certificates on their routers.

### Restrictions for Manual Certificate Enrollment

#### SCEP Restriction

We do not recommend switching URLs if SCEP is used; that is, if the enrollment URL is “http://myca,” do not change the enrollment URL after getting the CA certificate and before enrolling the certificate. A user can switch between TFTP and manual cut-and-paste.

#### Key Regeneration Restriction

Do not regenerate the keys manually using the **crypto key generate** command; key regeneration will occur when the **crypto pki enroll** command is issued if the **regenerate** keyword is specified.

### Configuring Cut-and-Paste Certificate Enrollment

Perform this task to configure cut-and-paste certificate enrollment. This task helps you to configure manual certificate enrollment via the cut-and-paste method for peers participating in your PKI.



## SUMMARY STEPS

1. **enable**
2. **configure terminal**
3. **crypto pki trustpoint *name***
4. **enrollment terminal pem**
5. **fingerprint *ca-fingerprint***
6. **exit**
7. **crypto pki authenticate *name***
8. **crypto pki enroll name**
9. **crypto pki import name certificate**
10. **exit**
11. **show crypto pki certificates**

## DETAILED STEPS

	Command or Action	Purpose
<b>Step 1</b>	<b>enable</b>  <b>Example:</b> Router> enable	Enables privileged EXEC mode. <ul style="list-style-type: none"> <li>• Enter your password if prompted.</li> </ul>
<b>Step 2</b>	<b>configure terminal</b>  <b>Example:</b> Router# configure terminal	Enters global configuration mode.
<b>Step 3</b>	<b>crypto pki trustpoint <i>name</i></b>  <b>Example:</b> Router(config)# crypto pki trustpoint mytp	Declares the trustpoint and a given name and enters ca-trustpoint configuration mode.
<b>Step 4</b>	<b>enrollment terminal pem</b>  <b>Example:</b> Router(ca-trustpoint)# enrollment terminal	Specifies the manual cut-and-paste certificate enrollment method. <ul style="list-style-type: none"> <li>• The certificate request will be displayed on the console terminal so that it may be manually copied (or cut).</li> <li>• <b>pem</b> --Configures the trustpoint to generate PEM-formatted certificate requests to the console terminal.</li> </ul>

	Command or Action	Purpose
<b>Step 5</b>	<b>fingerprint</b> <i>ca-fingerprint</i>  <b>Example:</b> <pre>Router(ca-trustpoint)# fingerprint 12EF53FA 355CD23E 12EF53FA 355CD23E</pre>	(Optional) Specifies a fingerprint that can be matched against the fingerprint of a CA certificate during authentication.  <b>Note</b> If the fingerprint is not provided, it will be displayed for verification.
<b>Step 6</b>	<b>exit</b>  <b>Example:</b> <pre>Router(ca-trustpoint)# exit</pre>	Exits ca-trustpoint configuration mode and returns to global configuration mode.
<b>Step 7</b>	<b>crypto pki authenticate</b> <i>name</i>  <b>Example:</b> <pre>Router(config)# crypto pki authenticate mytp</pre>	Retrieves the CA certificate and authenticates it.
<b>Step 8</b>	<b>crypto pki enroll name</b>  <b>Example:</b> <pre>Router(config)# crypto pki enroll mytp</pre>	Generates certificate request and displays the request for copying and pasting into the certificate server. <ul style="list-style-type: none"> <li>You are prompted for enrollment information, such as whether to include the router FQDN and IP address in the certificate request. You are also given the choice about displaying the certificate request to the console terminal.</li> <li>The base-64 encoded certificate with or without PEM headers as requested is displayed.</li> </ul>
<b>Step 9</b>	<b>crypto pki import name certificate</b>  <b>Example:</b> <pre>Router(config)# crypto pki import mytp certificate</pre>	Imports a certificate manually at the console terminal (pasting). <ul style="list-style-type: none"> <li>The base-64 encoded certificate is accepted from the console terminal and inserted into the internal certificate database.</li> </ul> <b>Note</b> You must enter this command twice if usage keys, a signature key, and an encryption key are used. The first time the command is entered, one of the certificates is pasted into the router. The second time the command is entered, the other certificate is pasted into the router. It does not matter which certificate is pasted first.  <b>Note</b> Some CAs ignore the usage key information in the certificate request and issue general purpose usage certificates. If this applies to the certificate authority you are using, import the general purpose certificate. The router will not use one of the two key pairs generated.
<b>Step 10</b>	<b>exit</b>  <b>Example:</b> <pre>Router(config)# exit</pre>	Exits global configuration mode.

	Command or Action	Purpose
<b>Step 11</b>	<b>show crypto pki certificates</b>  <b>Example:</b> Router# show crypto pki certificates	(Optional) Displays information about your certificates, the certificates of the CA, and RA certificates.

## Configuring TFTP Certificate Enrollment

Perform this task to configure TFTP certificate enrollment. This task helps you to configure manual certificate enrollment using a TFTP server.

### Before You Begin

- You must know the correct URL to use if you are configuring certificate enrollment via TFTP.
- The router must be able to write a file to the TFTP server for the **crypto pki enroll** command.
- If you are using a file specification with the **enrollment** command, the file must contain the CA certificate either in binary format or be base-64 encoded.
- You must know if your CA ignores key usage information in a certificate request and issues only a general purpose usage certificate.



### Caution

Some TFTP servers require that the file must exist on the server before it can be written. Most TFTP servers require files that can be written over. This requirement may pose a risk because any router or other device may write or overwrite the certificate request; thus, the replacement certificate request will not be used by the CA administrator, who must first check the enrollment request fingerprint before granting the certificate request.

## SUMMARY STEPS

1. **enable**
2. **configure terminal**
3. **crypto pki trustpoint** *name*
4. **enrollment** [**mode**] [**retry period** minutes] [**retry count** number] **url** url [**pem**]
5. **fingerprint** *ca-fingerprint*
6. **exit**
7. **crypto pki authenticate** *name*
8. **crypto pki enroll** name
9. **crypto pki import** name certificate
10. **exit**
11. **show crypto pki certificates**

## DETAILED STEPS

	Command or Action	Purpose
<b>Step 1</b>	<b>enable</b>  <b>Example:</b> <pre>Router&gt; enable</pre>	Enables privileged EXEC mode. <ul style="list-style-type: none"> <li>• Enter your password if prompted.</li> </ul>
<b>Step 2</b>	<b>configure terminal</b>  <b>Example:</b> <pre>Router# configure terminal</pre>	Enters global configuration mode.
<b>Step 3</b>	<b>crypto pki trustpoint</b> <i>name</i>  <b>Example:</b> <pre>Router(config)# crypto pki trustpoint mytp</pre>	Declares the trustpoint and a given name and enters ca-trustpoint configuration mode.
<b>Step 4</b>	<b>enrollment</b> [ <b>mode</b> ] [ <b>retry period</b> minutes] [ <b>retry count</b> number] <b>url</b> url [ <b>pem</b> ]  <b>Example:</b> <pre>Router(ca-trustpoint)# enrollment url tftp://certserver/file_specification</pre>	Specifies TFTP as the enrollment method to send the enrollment request and to retrieve the CA certificate and router certificate and any optional parameters. <p><b>Note</b> For TFTP enrollment, the URL must be configured as a TFTP URL, <code>tftp://example_tftp_url</code>.</p> <ul style="list-style-type: none"> <li>• An optional file specification filename may be included in the TFTP URL. If the file specification is not included, the FQDN will be used. If the file specification is included, the router will append the extension ".ca" to the specified filename.</li> </ul>

	Command or Action	Purpose
<b>Step 5</b>	<p><b>fingerprint</b> <i>ca-fingerprint</i></p> <p><b>Example:</b></p> <pre>Router(ca-trustpoint)# fingerprint 12EF53FA 355CD23E 12EF53FA 355CD23E</pre>	<p>(Optional) Specifies the fingerprint of the CA certificate received via an out-of-band method from the CA administrator.</p> <p><b>Note</b> If the fingerprint is not provided, it will be displayed for verification.</p>
<b>Step 6</b>	<p><b>exit</b></p> <p><b>Example:</b></p> <pre>Router(ca-trustpoint)# exit</pre>	Exits ca-trustpoint configuration mode and returns to global configuration mode.
<b>Step 7</b>	<p><b>crypto pki authenticate</b> <i>name</i></p> <p><b>Example:</b></p> <pre>Router(config)# crypto pki authenticate mytp</pre>	Retrieves the CA certificate and authenticates it from the specified TFTP server.
<b>Step 8</b>	<p><b>crypto pki enroll</b> <i>name</i></p> <p><b>Example:</b></p> <pre>Router(config)# crypto pki enroll mytp</pre>	<p>Generates certificate request and writes the request out to the TFTP server.</p> <ul style="list-style-type: none"> <li>You are prompted for enrollment information, such as whether to include the router FQDN and IP address in the certificate request. You are queried about whether to display the certificate request to the console terminal.</li> <li>The filename to be written is appended with the extension ".req". For usage keys, a signature key and an encryption key, two requests are generated and sent. The usage key request filenames are appended with the extensions "-sign.req" and "-encr.req", respectively.</li> </ul>
<b>Step 9</b>	<p><b>crypto pki import</b> <i>name certificate</i></p> <p><b>Example:</b></p> <pre>Router(config)# crypto pki import mytp certificate</pre>	<p>Imports a certificate via TFTP at the console terminal, which retrieves the granted certificate.</p> <ul style="list-style-type: none"> <li>The router will attempt to retrieve the granted certificate via TFTP using the same filename used to send the request, except the extension is changed from ".req" to ".crt". For usage key certificates, the extensions "-sign.crt" and "-encr.crt" are used.</li> <li>The router will parse the received files, verify the certificates, and insert the certificates into the internal certificate database on the router.</li> </ul> <p><b>Note</b> Some CAs ignore the usage key information in the certificate request and issue general purpose usage certificates. If your CA ignores the usage key information in the certificate request, only import the general purpose certificate. The router will not use one of the two key pairs generated.</p>

	Command or Action	Purpose
<b>Step 10</b>	<b>exit</b>  <b>Example:</b> Router(config)# exit	Exits global configuration mode.
<b>Step 11</b>	<b>show crypto pki certificates</b>  <b>Example:</b> Router# show crypto pki certificates	(Optional) Displays information about your certificates, the certificates of the CA, and RA certificates.

## Certifying a URL Link for Secure Communication with a Trend Micro Server

Perform this task to certify a link used in URL filtering that allows secure communication with a Trend Micro Server.



### Note

Security threats, as well as the cryptographic technologies to help protect against them, are constantly changing. For more information about the latest Cisco cryptographic recommendations, see the [Next Generation Encryption \(NGE\)](#) white paper.

## SUMMARY STEPS

1. **enable**
2. **clock set** *hh : mm : ss date month year*
3. **configure terminal**
4. **clock timezone** *zone hours-offset [minutes-offset ]*
5. **ip http server**
6. **hostname** *name*
7. **ip domain-name** *name*
8. **crypto key generate rsa** **general-keys modulus** *modulus-size*
9. **crypto pki trustpoint** *name*
10. **enrollment terminal**
11. **crypto ca authenticate** *name*
12. Copy the following block of text containing the base 64 encoded CA certificate and paste it at the prompt.
13. Enter **yes** to accept this certificate.
14. **serial-number**
15. **revocation-check none**
16. **end**
17. **trm register**

## DETAILED STEPS

	Command or Action	Purpose
Step 1	<b>enable</b>  <b>Example:</b> <pre>Router&gt; enable</pre>	Enables privileged EXEC mode. <ul style="list-style-type: none"> <li>• Enter your password if prompted.</li> </ul>
Step 2	<b>clock set</b> <i>hh : mm : ss date month year</i>  <b>Example:</b> <pre>Router# clock set 23:22:00 22 Dec 2009</pre>	Sets the clock on the router.
Step 3	<b>configure terminal</b>  <b>Example:</b> <pre>Router# configure terminal</pre>	Enters global configuration mode.
Step 4	<b>clock timezone</b> <i>zone hours-offset [minutes-offset ]</i>	Sets the time zone. <ul style="list-style-type: none"> <li>• The <i>zone</i> argument is the name of the time zone (typically a standard acronym). The <i>hours-offset</i> argument is the number of hours the time</li> </ul>

	Command or Action	Purpose
	<p><b>Example:</b></p> <pre>Router(config)# clock timezone PST -08</pre>	<p>zone is different from Universal Time Coordinated (UTC). The <i>minutes-offset</i> argument is the number of minutes the time zone is different from UTC.</p> <p><b>Note</b> The <i>minutes-offset</i> argument of the <b>clock timezone</b> command is available for those cases where a local time zone is a percentage of an hour different from UTC or Greenwich Mean Time (GMT). For example, the time zone for some sections of Atlantic Canada (AST) is UTC-3.5. In this case, the necessary command would be <b>clock timezone AST -3 30</b>.</p>
<b>Step 5</b>	<p><b>ip http server</b></p> <p><b>Example:</b></p> <pre>Router(config)# ip http server</pre>	Enables the HTTP server.
<b>Step 6</b>	<p><b>hostname name</b></p> <p><b>Example:</b></p> <pre>Router(config)# hostname hostname1</pre>	Configures the hostname of the router.
<b>Step 7</b>	<p><b>ip domain-name name</b></p> <p><b>Example:</b></p> <pre>Router(config)# ip domain-name example.com</pre>	Defines the domain name for the router.
<b>Step 8</b>	<p><b>crypto key generate rsa general-keys modulus modulus-size</b></p> <p><b>Example:</b></p> <pre>Router(config)# crypto key generate rsa general-keys modulus general</pre>	<p>Generates the crypto keys.</p> <ul style="list-style-type: none"> <li>The <b>general-keys</b> keyword specifies that a general purpose key pair is generated, which is the default.</li> <li>The <b>modulus</b> keyword and <i>modulus-size</i> argument specify the IP size of the key modulus. By default, the modulus of a CA key is 1024 bits. When generating RSA keys, you will be prompted to enter a modulus length. A longer modulus could offer stronger security but takes longer to generate and to use. A length of less than 2048 is not recommended.</li> </ul> <p><b>Note</b> The name for the general keys that are generated are based on the domain name that is configured in Step 7. For example, the keys will be called "example.com."</p>
<b>Step 9</b>	<p><b>crypto pki trustpoint name</b></p> <p><b>Example:</b></p> <pre>Router(config)# crypto pki trustpoint mytp</pre>	<p>Declares the CA that your router should use and enters ca-trustpoint configuration mode.</p> <p><b>Note</b> Effective with Cisco IOS Release 12.3(8)T, the <b>crypto pki trustpoint</b> command replaced the <b>crypto ca trustpoint</b> command.</p>
<b>Step 10</b>	<b>enrollment terminal</b>	Specifies the manual cut-and-paste certificate enrollment method.



	Command or Action	Purpose
	<p><b>Example:</b></p> <pre>Router(ca-trustpoint)# enrollment terminal</pre>	<ul style="list-style-type: none"><li>The certificate request will be displayed on the console terminal so that you may manually copy (or cut).</li></ul>
<b>Step 11</b>	<p><b>crypto ca authenticate</b> <i>name</i></p> <p><b>Example:</b></p> <pre>Router(ca-trustpoint)# crypto ca authenticate mytp</pre>	<p>Takes the name of the CA as the argument and authenticates it.</p> <ul style="list-style-type: none"><li>The following command output displays:</li></ul> <p>Enter the base 64 encoded CA certificate. End with a blank line or the word "quit" on a line by itself.</p>

	Command or Action	Purpose
<b>Step 12</b>	Copy the following block of text containing the base 64 encoded CA certificate and paste it at the prompt.	<pre> MIIDIDCCAomgAwIBAgIENd70zzANBgkqhkiG9w0BAQUFADBOMQswCQYDVQQGEwJV UzEQMA4GA1UEChMHRXFlaWZheDEtMCsGA1UECxMkRXFlaWZheCBTZWN1cmUgQ2Vy dGlmYWVhdGUGQXV0aG9yaXR5MB4XDtk4MDgyMjE2NDE1MV0xODU4MDgyMjE2NDE1 MVowTjELMAkGA1UEBhMCVVMxEIDAQBgNVBAoTB0VxdWlmYXgXLTArBgNVBAsTJEVx dWlmYXggU2VjdXJlIENlcnRpZmljYXRlIEF1dGhvcml0eTCBnzANBgkqhkiG9w0B AQEFAAOBjQAwwYkCgYEAwV2xWGCiYu6gmi0fCG2RFGiYCh7+2gRvE4RiIcPRfM6f BeC4AfBONOziipUEZKzxa1NfBbPLZ4C/QgKO/t0BCezhABRP/PvwdN1Dulsr4R+A cJkVv5MW8Q+XarfCaCmczE1ZMKxRHjuvK9buY0V7xdlfUNLjUA86iOe/FP3gx7kC AwEAAaOCAQkwggEFMHAGA1UdHwRpmGcwZaBjOGGkXzBdMQswCQYDVQQGEwJVUzEQ MA4GA1UEChMHRXFlaWZheDEtMCsGA1UECxMkRXFlaWZheCBTZWN1cmUgQ2VydGlm aWNhdGUGQXV0aG9yaXR5MQ0wCwYDVQQDEwRDUkwMB0GA1UdEAMTMBGDZlWMTgw ODIyMTY0MTUxWjALBgNVHQ8EBAMCAQYwHwYDVR0jBBGwFoAUSOZo+SvSspXXR9gj IBBPM5iQn9QwHQYDVR0OBBYEFjmaPkr0rKV10fYIyAQZtOYkKJ/UMAwGA1UdEwQF MAMBAf8wGgYJKoZIhvcZ9B0EABA0wCxsFVjMuMGMDAgbAMA0GCSqGSIb3DQEBBQUA A4GBAFjOKer89961zgK5F7WF0bnj4JXMJTENAKaSbn+2kmOeUJXRmm/kEd5jhW6Y 7qj/WsjTVbJmcVfewCHRPSqnI0kBBIZCe/zuf6IWUrVnZ9NA2zsmWLIodz2uFHdh 1voqZiegDfqnclzqcPGUIWVEX/r87yloqaKHee9570+sB3c4 The following command output displays:  Certificate has the following attributes:          Fingerprint MD5: 67CB9DC0 13248A82 9BB2171E D11BECD4          Fingerprint SHA1: D23209AD 23D31423 2174E40D 7F9D6213 9786633A           </pre>
<b>Step 13</b>	Enter yes to accept this certificate.	<pre> % Do you accept this certificate? [yes/no]: yes  The following command output displays:  Trustpoint CA certificate accepted.  % Certificate successfully imported           </pre>

	Command or Action	Purpose
<b>Step 14</b>	<b>serial-number</b>  <b>Example:</b> <pre>hostname1(ca-trustpoint)# serial-number</pre>	Specifies the router serial number in the certificate request.
<b>Step 15</b>	<b>revocation-check none</b>  <b>Example:</b> <pre>hostname1(ca-trustpoint)# revocation-check none</pre> <b>Example:</b>	Specifies that certificate checking is ignored.
<b>Step 16</b>	<b>end</b>  <b>Example:</b> <pre>hostname1(ca-trustpoint)# end</pre>	Exits ca-trustpoint configuration mode and returns to privileged EXEC mode.
<b>Step 17</b>	<b>trm register</b>  <b>Example:</b> <pre>hostname1# trm register</pre>	Manually starts the Trend Micro Server registration process.

## Configuring a Persistent Self-Signed Certificate for Enrollment via SSL

This section contains the following tasks:



### Note

These tasks are optional because if you enable the HTTPS server, it generates a self-signed certificate automatically using default values.

## Persistent Self-Signed Certificates Overview

The SSL protocol can be used to establish a secure connection between an HTTPS server and a client (web browser). During the SSL handshake, the client expects the SSL server's certificate to be verifiable using a certificate the client already possesses.

If Cisco IOS software does not have a certificate that the HTTPS server can use, the server generates a self-signed certificate by calling a PKI application programming interface (API). When the client receives

this self-signed certificate and is unable to verify it, intervention is needed. The client asks you if the certificate should be accepted and saved for future use. If you accept the certificate, the SSL handshake continues.

Future SSL handshakes between the same client and the server use the same certificate. However, if the router is reloaded, the self-signed certificate is lost. The HTTPS server must then create a new self-signed certificate. This new self-signed certificate does not match the previous certificate, so you are once again asked to accept it.

Requesting acceptance of the router's certificate each time that the router reloads may present an opportunity for an attacker to substitute an unauthorized certificate when you are being asked to accept the certificate. Persistent self-signed certificates overcome all these limitations by saving a certificate in the router's startup configuration.

## Restrictions

You can configure only one trustpoint for a persistent self-signed certificate.



### Note

Do not change the IP domain name or the hostname of the router after creating the self-signed certificate. Changing either name triggers the regeneration of the self-signed certificate and overrides the configured trustpoint. WebVPN ties the SSL trustpoint name to the WebVPN gateway configuration. If a new self-signed certificate is triggered, then the new trustpoint name does not match the WebVPN configuration, causing the WebVPN connections to fail.

## Configuring a Trustpoint and Specifying Self-Signed Certificate Parameters



### Note

Security threats, as well as the cryptographic technologies to help protect against them, are constantly changing. For more information about the latest Cisco cryptographic recommendations, see the [Next Generation Encryption \(NGE\)](#) white paper.

Perform the following task to configure a trustpoint and specify self-signed certificate parameters.

## SUMMARY STEPS

1. **enable**
2. **configure terminal**
3. **crypto pki trustpoint** name
4. **enrollment selfsigned**
5. **subject-name** [x.500-name]
6. **rsakeypair** key-label [key-size [encryption-key-size]]
7. **crypto pki enroll** name
8. **end**
9. **show crypto pki certificates** [trustpoint-name[verbose]]
10. **show crypto pki trustpoints** [status | label [status]]

## DETAILED STEPS

	Command or Action	Purpose
Step 1	<b>enable</b>  <b>Example:</b> <pre>Router&gt; enable</pre>	Enables privileged EXEC mode. <ul style="list-style-type: none"> <li>• Enter your password if prompted.</li> </ul>
Step 2	<b>configure terminal</b>  <b>Example:</b> <pre>Router# configure terminal</pre>	Enters global configuration mode.
Step 3	<b>crypto pki trustpoint name</b>  <b>Example:</b> <pre>Router(config)# crypto pki trustpoint local</pre>	Declares the CA that your router should use and enters ca-trustpoint configuration mode.  <b>Note</b> Effective with Cisco IOS Release 12.3(8)T, the <b>crypto pki trustpoint</b> command replaced the <b>crypto ca trustpoint</b> command.
Step 4	<b>enrollment selfsigned</b>  <b>Example:</b> <pre>Router(ca-trustpoint)# enrollment selfsigned</pre>	Specifies self-signed enrollment.
Step 5	<b>subject-name</b> [ <i>x.500-name</i> ]  <b>Example:</b> <pre>Router(ca-trustpoint)# subject-name</pre>	(Optional) Specifies the requested subject name to be used in the certificate request. <ul style="list-style-type: none"> <li>• If no value for the <i>x-500-name</i> argument is specified, the FQDN, which is the default subject name, is used.</li> </ul>
Step 6	<b>rsa keypair</b> <i>key-label</i> [key-size [encryption-key-size]]  <b>Example:</b> <pre>Router(ca-trustpoint)# rsa keypair examplekey 2048</pre>	(Optional) Specifies which key pair to associate with the certificate. <ul style="list-style-type: none"> <li>• The value for the <i>key-label</i> argument will be generated during enrollment if it does not already exist or if the <b>auto-enroll regenerate</b> command was issued.</li> <li>• Specify a value for the <i>key-size</i> argument for generating the key, and specify a value for the <i>encryption-key-size</i> argument to request separate encryption, signature keys, and certificates. The key-size and encryption-key-size must be the same size. Length of less than 2048 is not recommended.</li> </ul> <b>Note</b> If this command is not enabled, the FQDN key pair is used.

	Command or Action	Purpose
<b>Step 7</b>	<b>crypto pki enroll name</b>  <b>Example:</b> <pre>Router(ca-trustpoint)# crypto pki enroll local</pre>	Tells the router to generate the persistent self-signed certificate.
<b>Step 8</b>	<b>end</b>  <b>Example:</b> <pre>Router(ca-trustpoint)# end</pre>	(Optional) Exits ca-trustpoint configuration mode. <ul style="list-style-type: none"> <li>• Enter this command a second time to exit global configuration mode.</li> </ul>
<b>Step 9</b>	<b>show crypto pki certificates</b> <i>[trustpoint-name[verbose]]</i>  <b>Example:</b> <pre>Router# show crypto pki certificates local verbose</pre>	Displays information about your certificate, the certification authority certificate, and any registration authority certificates.
<b>Step 10</b>	<b>show crypto pki trustpoints</b> <i>[status   label [status]]</i>  <b>Example:</b> <pre>Router# show crypto pki trustpoints status</pre>	Displays the trustpoints that are configured in the router.

## Enabling the HTTPS Server

Perform the following task to enable the HTTPS server.

### Before You Begin

To specify parameters, you must create a trustpoint and configure it. To use default values, delete any existing self-signed trustpoints. Deleting all self-signed trustpoints causes the HTTPS server to generate a persistent self-signed certificate using default values as soon as the server is enabled.

### SUMMARY STEPS

1. **enable**
2. **configure terminal**
3. **ip http secure-server**
4. **end**
5. **copy system:running-config nvram: startup-config**

## DETAILED STEPS

	Command or Action	Purpose
Step 1	<b>enable</b>  <b>Example:</b> Router> enable	Enables privileged EXEC mode. <ul style="list-style-type: none"> <li>• Enter your password if prompted.</li> </ul>
Step 2	<b>configure terminal</b>  <b>Example:</b> Router# configure terminal	Enters global configuration mode.
Step 3	<b>ip http secure-server</b>  <b>Example:</b> Router(config)# ip http secure-server	Enables the HTTPS web server.  <b>Note</b> A key pair (modulus 1024) and a self-signed certificate are automatically generated.
Step 4	<b>end</b>  <b>Example:</b> Router(config)# end	Exits global configuration mode.
Step 5	<b>copy system:running-config nvram: startup-config</b>  <b>Example:</b> Router# copy system:running-config nvram: startup-config	Saves the self-signed certificate and the HTTPS server in enabled mode.

## Configuring a Certificate Enrollment Profile for Enrollment or Reenrollment

Perform this task to configure a certificate enrollment profile for enrollment or reenrollment. This task helps you to configure an enrollment profile for certificate enrollment or reenrollment of a router with a Cisco IOS CA that is already enrolled with a third-party vendor CA.

Enable a router that is enrolled with a third-party vendor CA to use its existing certificate to enroll with the Cisco IOS certificate server so the enrollment request is automatically granted. To enable this functionality, you must issue the **enrollment credential** command. Also, you cannot configure manual certificate enrollment.

### Before You Begin

Perform the following tasks at the client router before configuring a certificate enrollment profile for the client router that is already enrolled with a third-party vendor CA so that the router can reenroll with a Cisco IOS certificate server:

- Defined a trustpoint that points to the third-party vendor CA.
- Authenticated and enrolled the client router with the third-party vendor CA.

**Note**

- 
- To use certificate profiles, your network must have an HTTP interface to the CA.
  - If an enrollment profile is specified, an enrollment URL may not be specified in the trustpoint configuration. Although both commands are supported, only one command can be used at a time in a trustpoint.
  - Because there is no standard for the HTTP commands used by various CAs, the user is required to enter the command that is appropriate to the CA that is being used.

>

---

**SUMMARY STEPS**

1. **enable**
2. **configure terminal**
3. **crypto pki trustpoint** *name*
4. enrollment profile label
5. **exit**
6. **crypto pki profile enrollment** *label*
7. Do one of the following:
  - **authentication url** *url*
  - **authentication terminal**
8. **authentication command**
9. Do one of the following:
  - **enrollment url** *url*
  - 
  - **enrollment terminal**
10. **enrollment credential** *label*
11. **enrollment command**
12. **parameter** *number* {**value** *value* | **prompt** *string*}
13. **exit**
14. **show crypto pki certificates**



## DETAILED STEPS

	Command or Action	Purpose
<b>Step 1</b>	<b>enable</b>  <b>Example:</b> Router> enable	Enables privileged EXEC mode. <ul style="list-style-type: none"> <li>• Enter your password if prompted.</li> </ul>
<b>Step 2</b>	<b>configure terminal</b>  <b>Example:</b> Router# configure terminal	Enters global configuration mode.
<b>Step 3</b>	<b>crypto pki trustpoint <i>name</i></b>  <b>Example:</b> Router(config)# crypto pki trustpoint Entrust	Declares the trustpoint and a given name and enters ca-trustpoint configuration mode.
<b>Step 4</b>	enrollment profile label  <b>Example:</b> Router(ca-trustpoint)# enrollment profile E	Specifies that an enrollment profile is to be used for certificate authentication and enrollment.
<b>Step 5</b>	<b>exit</b>  <b>Example:</b> Router(ca-trustpoint)# exit	Exits ca-trustpoint configuration mode.
<b>Step 6</b>	<b>crypto pki profile enrollment <i>label</i></b>  <b>Example:</b> Router(config)# crypto pki profile enrollment E	Defines an enrollment profile and enters ca-profile-enroll configuration mode. <ul style="list-style-type: none"> <li>• <i>label</i> --Name for the enrollment profile; the enrollment profile name must match the name specified in the <b>enrollment profile</b> command.</li> </ul>
<b>Step 7</b>	Do one of the following: <ul style="list-style-type: none"> <li>• <b>authentication url <i>url</i></b></li> <li>• <b>authentication terminal</b></li> </ul> <b>Example:</b> Router(ca-profile-enroll)# authentication url http://entrust:81	Specifies the URL of the CA server to which to send certificate authentication requests. <ul style="list-style-type: none"> <li>• <i>url</i> --URL of the CA server to which your router should send authentication requests. If you are using HTTP, the URL should read "http://CA_name," where CA_name is the host DNS name or IP address of the CA. If you are using TFTP, the URL should read "tftp://certserver/file_specification." (If the URL does not include a file specification, the FQDN of the router will be used.)</li> </ul>

	Command or Action	Purpose
	<p><b>Example:</b></p> <pre>Router(ca-profile-enroll)# authentication terminal</pre>	Specifies manual cut-and-paste certificate authentication.
<b>Step 8</b>	<p><b>authentication command</b></p> <p><b>Example:</b></p> <pre>Router(ca-profile-enroll)# authentication command</pre>	(Optional) Specifies the HTTP command that is sent to the CA for authentication.
<b>Step 9</b>	<p>Do one of the following:</p> <ul style="list-style-type: none"> <li>• <b>enrollment url</b> <i>url</i></li> <li>•</li> <li>• <b>enrollment terminal</b></li> </ul> <p><b>Example:</b></p> <pre>Router(ca-profile-enroll)# enrollment url http://entrust:81/cda-cgi/clientcgi.exe</pre> <p><b>Example:</b></p> <pre>Router(ca-profile-enroll)# enrollment terminal</pre>	<p>Specifies the URL of the CA server to which to send certificate enrollment requests via HTTP or TFTP.</p> <p>Specifies manual cut-and-paste certificate enrollment.</p>
<b>Step 10</b>	<p><b>enrollment credential</b> <i>label</i></p> <p><b>Example:</b></p> <pre>Router(ca-profile-enroll)# enrollment credential Entrust</pre>	<p>(Optional) Specifies the third-party vendor CA trustpoint that is to be enrolled with the Cisco IOS CA.</p> <p><b>Note</b> This command cannot be issued if manual certificate enrollment is being used.</p>
<b>Step 11</b>	<p><b>enrollment command</b></p> <p><b>Example:</b></p> <pre>Router(ca-profile-enroll)# enrollment command</pre>	(Optional) Specifies the HTTP command that is sent to the CA for enrollment.
<b>Step 12</b>	<p><b>parameter</b> <i>number</i> {<b>value</b> <i>value</i>   <b>prompt</b> <i>string</i>}</p>	(Optional) Specifies parameters for an enrollment profile.

	Command or Action	Purpose
	<p><b>Example:</b></p> <pre>Router(ca-profile-enroll)# parameter 1 value aaaa-bbbb-cccc</pre>	<ul style="list-style-type: none"> <li>This command can be used multiple times to specify multiple values.</li> </ul>
<b>Step 13</b>	<p><b>exit</b></p> <p><b>Example:</b></p> <pre>Router(ca-profile-enroll)# exit</pre>	<p>(Optional) Exits ca-profile-enroll configuration mode.</p> <ul style="list-style-type: none"> <li>Enter this command a second time to exit global configuration mode.</li> </ul>
<b>Step 14</b>	<p><b>show crypto pki certificates</b></p> <p><b>Example:</b></p> <pre>Router# show crypto pki certificates</pre>	<p>(Optional) Displays information about your certificates, the certificates of the CA, and RA certificates.</p>

## What to Do Next

If you configured the router to reenroll with a Cisco IOS CA, you should configure the Cisco IOS certificate server to accept enrollment requests only from clients already enrolled with the specified third-party vendor CA trustpoint to take advantage of this functionality. For more information, see the module “Configuring and Managing a Cisco IOS Certificate Server for PKI Deployment.”

# Configuration Examples for PKI Certificate Enrollment Requests

## Configuring Certificate Enrollment or Autoenrollment Example

The following example shows the configuration for the “mytp-A” certificate server and its associated trustpoint, where RSA keys generated by the initial autoenrollment for the trustpoint will be stored on a USB token, “usbtoken0”:

```
crypto pki server mytp-A
  database level complete
  issuer-name CN=company, L=city, C=country
  grant auto
! Specifies that certificate requests will be granted automatically.
!
crypto pki trustpoint mytp-A
  revocation-check none
  rsa-keypair myTP-A
  storage usbtoken0:
! Specifies that keys will be stored on usbtoken0:.
  on usbtoken0:
! Specifies that keys generated on initial auto enroll will be generated on and stored on ! usbtoken0:
```

## Configuring Autoenrollment Example

The following example shows how to configure the router to automatically enroll with a CA on startup, enabling automatic rollover, and how to specify all necessary enrollment information in the configuration:

```
crypto pki trustpoint trustpt1
 enrollment url http://trustpt1.example.com//
 subject-name OU=Spiral Dept., O=example.com
 ip-address ethernet-0
 serial-number none
 usage ike
 auto-enroll regenerate
 password password1
 rsa-key trustpt1 2048
!
crypto pki certificate chain trustpt1
certificate pki 0B
30820293 3082023D A0030201 0202010B 300D0609 2A864886 F70D0101 04050030
79310B30 09060355 04061302 5553310B 30090603 55040813 02434131 15301306
0355040A 130C4369 73636F20 53797374 656D3120 301E0603 55040B13 17737562
6F726420 746F206B 6168756C 75692049 50495355 31243022 06035504 03131B79
6E692D75 31302043 65727469 66696361 7465204D 616E6167 6572301E 170D3030
30373134 32303536 32355A17 0D303130 37313430 31323834 335A3032 310E300C
06035504 0A130543 6973636F 3120301E 06092A86 4886F70D 01090216 11706B69
2D343562 2E636973 636F2E63 6F6D305C 300D0609 2A864886 F70D0101 01050003
4B003048 024100B3 0512A201 3B4243E1 378A9703 8AC5E3CE F77AF987 B5A422C4
15E947F6 70997393 70CF34D6 63A86B9C 4347A81A 0551FC02 ABA62360 01EF7DD2
6C136AEB 3C6C3902 03010001 A381F630 81F3300B 0603551D 0F040403 02052030
1C060355 1D110415 30138211 706B692D 3435622E 63697363 6F2E636F 6D301D06
03551D0E 04160414 247D9558 169B9A21 23D289CC 2DDA2A9A 4F77C616 301F0603
551D2304 18301680 14BD742C E892E819 1D551D91 683F6DB2 D8847A6C 73308185
0603551D 1F047E30 7C307AA0 3CA03AA4 38303631 0E300C06 0355040A 13054369
73636F31 24302206 03550403 131B796E 692D7531 30204365 72746966 69636174
65204D61 6E616765 72A23AA4 38303631 0E300C06 0355040A 13054369 73636F31
24302206 03550403 131B796E 692D7531 30204365 72746966 69636174 65204D61
6E616765 72300D06 092A8648 86F70D01 01040500 03410015 BC7CECF9 696697DF
E887007F 7A8DA24F 1ED5A785 C5C60452 47860061 0C18093D 08958A77 5737246B
0A25550A 25910E27 8B8B428E 32F8D948 3DD1784F 954C70
quit
```



**Note** In this example, keys are neither regenerated nor rolled over.

## Configuring Certificate Autoenrollment with Key Regeneration Example

The following example shows how to configure the router to automatically enroll with the CA named “trustme1” on startup and enable automatic rollover. The **regenerate** keyword is issued, so a new key will be generated for the certificate and reissued when the automatic rollover process is initiated. The renewal percentage is configured as 90 so if the certificate has a lifetime of one year, a new certificate is requested 36.5 days before the old certificate expires. The changes made to the running configuration are saved to the NVRAM startup configuration because autoenrollment will not update NVRAM if the running configuration has been modified but not written to NVRAM.

```
crypto pki trustpoint trustme1
 enrollment url http://trustme1.example.com/
 subject-name OU=Spiral Dept., O=example.com
 ip-address ethernet0
 serial-number none
 auto-enroll 90 regenerate
 password password1
```

```

rsakeypair trustmel 2048
exit
crypto pki authenticate trustmel
copy system:running-config nvram:startup-config

```

## Configuring Cut-and-Paste Certificate Enrollment Example

The following example shows how to configure certificate enrollment using the manual cut-and-paste enrollment method:

```

Router(config)#
crypto pki trustpoint TP
Router(ca-trustpoint)#
enrollment terminal
Router(ca-trustpoint)#
crypto pki authenticate TP
Enter the base 64 encoded CA certificate.
End with a blank line or the word "quit" on a line by itself
-----BEGIN CERTIFICATE-----
MIICNDCCAd6gAwIBAgIQOsCmXpVHwodKryRoqULV7jANBgkqhkiG9w0BAQUFADA5
MQswCQYDVQQGEwJVUzEWMBQGA1UEChMNQ2l2Y28gU3lzdGVtczESMBAGAlUEAxMj
bXNjYS1yb290MB4XDTAyMDIwNDYwNDYwNDYwNDYwNDYwNDYwNDYwNDYwNDYwNDYw
AlUEBhMCMVVMxMjFjAUBGNVBAoTDUNpc2NvIFN5c3RlbXN5c3R1bXN5c3R1bXN5
cm9vdDBMA0GCSqGSIb3DQEBAQUAA0sAMEgCQQCix8nIGFg+wvy3BjFbVi25wYoG
K2N0HWWHppqxFuFhgyBnIC0oshIn9CtrdN3JvUNHr0NlKocEwNKUGYmPwWGTfAgMB
AAGjgcEwgb4wCwYDVR0PBAQDAgHGMGA8GA1UdEwEB/wQFMAMBAf8wHQYDVRO0BBYE
FKIacsl6dKAfuNDVQymlSp7esf8jMG0GA1UdHwRmMGQwL6AtoCuGKWh0dHA6Ly9t
c2NhLXJvb3QvQ2VydEVucm9sbC9tc2NhLXJvb3QuY3J5SMDGgG16AthitmaWx1oi8v
XFxtc2NhLXJvb3RcQ2VydEVucm9sbC9tc2NhLXJvb3QuY3J5SMBAGCSsGAQQBgjcV
AQQDAgEAMA0GCSqGSIb3DQEBAQUAA0EAEuZkZMX9qkoLHfETYPVWjZPQbBmwNRA
oJDSdYdtL3BcI/uLL5q7EmODyGfLyMGxuhQYx5r/40aSQGLCqBq+yg==
-----END CERTIFICATE-----
Certificate has the following attributes:
Fingerprint: D6C12961 CD78808A 4E02193C 0790082A
% Do you accept this certificate? [yes/no]:
y
Trustpoint CA certificate accepted.
% Certificate successfully imported
Router(config)#
crypto pki enroll TP
% Start certificate enrollment..
% The subject name in the certificate will be:
Router.example.com
% Include the router serial number in the subject name? [yes/no]:
n
% Include an IP address in the subject name? [no]:
n
Display Certificate Request to terminal? [yes/no]:
y
Signature key certificate request -
Certificate Request follows:
MIIBhTCB7wIBADAlMSMwIQYJKoZIhvcNAQkCFhRtYw5kQmFnZ2VyLmNpc2NvLmNv
bTcBnzANBgkqhkiG9w0BAQEFAAOBjQAwGyKCGYEAxhdXFDiWan/hIZs9zfOtssKA
daoWYu0ms9Fe/Pew01dh14vXdxgacst0s2Pr5wk6jLOPxpvx0JPWYQM6ipLmyVvx
ojhyLTrVohrh6Dnqcvk+G/5ohss9o9RxxvONwx042pQchFnx9EkMuZC7evwRxJEqR
mBHXBZ8GmP3jYQsjS8MCAwEAAaAhMB8GCSqGSIb3DQEJJDjESMBAwDgYDVR0PAQH/
BAQDAgeAMA0GCSqGSIb3DQEBAUAA4GBAMT6WtyFw95POY7UtF+YIYhiVRUf4Sdq
hRIAGrljUePlo9iTqyFU1Pnt8JnIZ5P5BHU3MfgP8sqodaWub6mubkzaoHJlQD06
087fnLCNid5Tov5jKogFHIki2EGGZxBosUw9lJlenQdNddPbJc5LlWdfDvciA6j0
Nl8rOtKnt8Q+
!
!
!
Redisplay enrollment request? [yes/no]:
Encryption key certificate request -
Certificate Request follows:
MIIBhTCB7wIBADAlMSMwIQYJKoZIhvcNAQkCFhRtYw5kQmFnZ2VyLmNpc2NvLmNv
bTcBnzANBgkqhkiG9w0BAQEFAAOBjQAwGyKCGYEAwG60QojpDbzbKnyj8FyTiOcv

```

```

ThkDP7XD4vLT1XaJ409z0gSIOGnIcdFtXhVlBwtpq3/09zYFXrltH+BMCRQi3Lts
0IpxYa3D9iFPqev7SPXpsAIsY8a6FMq7TiwLobqiQjLKL4cbuV0Frj10Yuv5A/Z+
kqMOM7c+pWNWFdLe9lsCAwEAAAahMB8GCSqGSib3DQEJDjESMBawDgYDVR0PAQH/
BAQDAgUGMAOGCSqGSib3DQEBAUAA4GBACF7feURj/fJMoJPB1R6fa9BrlMjx+2F
H91YM/CIiz2n4mHtEWTWKhLoT8WUfa9NGOK7yi+nF/F7035twLfEq6n2bSCTW4aem
8jLMMaeFwxkrV/ceQKrucmNcluvx+fBy9rhnKx8j60XE25tnp1U08r6om/pBQABU
eNPFhozcaQ/2
!
!
!
Redisplay enrollment request? [yes/no]:
n
Router(config)#
crypto pki import TP certificate
Enter the base 64 encoded certificate.
End with a blank line or the word "quit" on a line by itself
MIIDajCCAxSgAwIBAgIKFN7C6QAAAAAMRzANBgkqhkiG9w0BAQUFADA5MQswCQYD
VQQGEwJVUzEWBMBQGA1UEChMNQ2l2Y28gU3lzdGVtczESMBAGAlUEAxMjBjXNjYs1y
b290MB4XDTAyMDYwODAxMTY0Ml0xDTAzMDYwODAxMjY0Ml0wJTEjMCEGCSqGSib3
DQEJAHMUU2FuZEJhZ2dldci5jaXNjby5jb20wgZ8wDQYJKoZIhvcNAQEBBQADgY0A
MIGJAoGBAMXVxQ4lgJ/4SGbPc3zrbLCgHWqFmLrPRXvz3sNNXYdeL13cYgnLL
TrNj6+cJOoyzj8ab8TiTlSkDOoqS5slcb6I4ci061aIa4eg56nL5Phv+aIbLPaPU
cbzjcmDOnqUHIRZ8fRJDLMQu3r8EcSRKkZgR1wFbPj942ELI0vDAGMBAAGjggHM
MIIBYDALBgnVHQ8EBAMCB4AwHQYDVR0OBBYEF8Quz8dyz4EGIEKx9A8UMNHLE4s
MHAGAlUdIWRpMGeAFKIAcsl6dKAfuNDVQymlSp7esf8joT2koZA5MQswCQYDVQQG
EwJVUzEWBMBQGA1UEChMNQ2l2Y28gU3lzdGVtczESMBAGAlUEAxMjBjXNjYs1yb290
ghA6wKZelUfCh0qvJGipQtXuMCIGAlUdEQEB/wQYMBaCFNhbmrCYWdnZXIuY2l2
Y28uY29tMG0GA1UdHwRmMGQwL6AtoCuGKWh0dHA6Ly9tc2NhLXJvb3QvQ2VydEVu
cm9sbC9tc2NhLXJvb3QuY3JSMdGg6AthitmaWxl0i8vXFxtc2NhLXJvb3RcQ2Vy
dEVucm9sbFxtc2NhLXJvb3QuY3JSMIGUBggrBgEFBQcBAQSBhZCBhDA/BggrBgEF
BQcwoAYZaHR0cDovL2l2Y2Etc9vdc9DZXJ0RW5yb2xsL2l2Y2Etc9vdf9tc2Nh
LXJvb3QuY3J0MEEGCCsGAQUFBzACHjVmaWx10i8vXFxtc2NhLXJvb3RcQ2VydEVu
cm9sbFxtc2NhLXJvb3RfbXNjYs1yb290LmNydANBgkqhkiG9w0BAQUFAANBAJo2
r6sHPGBdtQX2EDoJpR/A2UHXXRYqVSHkFKZw0z31r5JzUM0oPNUETV7mnZ1YNVRZ
CSEX/G8boi3WOjz9wZo=
% Router Certificate successfully imported
Router(config)#
crypto pki import TP cert
Enter the base 64 encoded certificate.
End with a blank line or the word "quit" on a line by itself
MIIDajCCAxSgAwIBAgIKFN7OBQAAAAAMSDANBgkqhkiG9w0BAQUFADA5MQswCQYD
VQQGEwJVUzEWBMBQGA1UEChMNQ2l2Y28gU3lzdGVtczESMBAGAlUEAxMjBjXNjYs1y
b290MB4XDTAyMDYwODAxMTY0NV0xDTAzMDYwODAxMjY0NV0wJTEjMCEGCSqGSib3
DQEJAHMUU2FuZEJhZ2dldci5jaXNjby5jb20wgZ8wDQYJKoZIhvcNAQEBBQADgY0A
MIGJAoGBAMBButEKI6Q282yp8o/Bck4jnL0x5Az+lw+Ly09V2ienPc9IEiKbpyHHR
bV4VZQVraat/zvc2BV69bR/gTAKUItY7bNCKcWgtw/Yht6nr+0j16bACLGPguhTK
u04sCzm6okIyyi+HG7ldBa45dGLr+QP2fPkjDpu3PqVjVhXS3vZbAgMBAAGjggHM
MIIBYDALBgnVHQ8EBAMCBsAwHQYDVR0OBBYEFpDO29oRdlEUSgBMg6jZr+YFRW1j
MHAGAlUdIWRpMGeAFKIAcsl6dKAfuNDVQymlSp7esf8joT2koZA5MQswCQYDVQQG
EwJVUzEWBMBQGA1UEChMNQ2l2Y28gU3lzdGVtczESMBAGAlUEAxMjBjXNjYs1yb290
ghA6wKZelUfCh0qvJGipQtXuMCIGAlUdEQEB/wQYMBaCFNhbmrCYWdnZXIuY2l2
Y28uY29tMG0GA1UdHwRmMGQwL6AtoCuGKWh0dHA6Ly9tc2NhLXJvb3QvQ2VydEVu
cm9sbC9tc2NhLXJvb3QuY3JSMdGg6AthitmaWxl0i8vXFxtc2NhLXJvb3RcQ2Vy
dEVucm9sbFxtc2NhLXJvb3QuY3JSMIGUBggrBgEFBQcBAQSBhZCBhDA/BggrBgEF
BQcwoAYZaHR0cDovL2l2Y2Etc9vdc9DZXJ0RW5yb2xsL2l2Y2Etc9vdf9tc2Nh
LXJvb3QuY3J0MEEGCCsGAQUFBzACHjVmaWx10i8vXFxtc2NhLXJvb3RcQ2VydEVu
cm9sbFxtc2NhLXJvb3RfbXNjYs1yb290LmNydANBgkqhkiG9w0BAQUFAANBAHaU
hyCwLlirUghNxCmLzXRg7C3W1j0kSX7a4fX9OxKR/Z2SoMjdmNPPyApuh8SoT2zBP
ZKjZU2WjczG/nZF4W5k=
% Router Certificate successfully imported

```

You can verify that the certificate was successfully imported by issuing the **show crypto pki certificates** command:

```

Router# show crypto pki certificates
Certificate
  Status: Available
  Certificate Serial Number: 14DECE05000000000C48
  Certificate Usage: Encryption
  Issuer:
    CN = TPCA-root
    O = Company

```

```

    C = US
  Subject:
    Name: Router.example.com
    OID.1.2.840.113549.1.9.2 = Router.example.com
  CRL Distribution Point:
    http://tpca-root/CertEnroll/tpca-root.crl
  Validity Date:
    start date: 18:16:45 PDT Jun 7 2002
    end   date: 18:26:45 PDT Jun 7 2003
    renew date: 16:00:00 PST Dec 31 1969
  Associated Trustpoints: TP
Certificate
  Status: Available
  Certificate Serial Number: 14DEC2E9000000000C47
  Certificate Usage: Signature
  Issuer:
    CN = tpca-root
    O = company
    C = US
  Subject:
    Name: Router.example.com
    OID.1.2.840.113549.1.9.2 = Router.example.com
  CRL Distribution Point:
    http://tpca-root/CertEnroll/tpca-root.crl
  Validity Date:
    start date: 18:16:42 PDT Jun 7 2002
    end   date: 18:26:42 PDT Jun 7 2003
    renew date: 16:00:00 PST Dec 31 1969
  Associated Trustpoints: TP
CA Certificate
  Status: Available
  Certificate Serial Number: 3AC0A65E9547C2874AAF2468A942D5EE
  Certificate Usage: Signature
  Issuer:
    CN = tpca-root
    O = Company
    C = US
  Subject:
    CN = tpca-root
    O = company
    C = US
  CRL Distribution Point:
    http://tpca-root/CertEnroll/tpca-root.crl
  Validity Date:
    start date: 16:46:01 PST Feb 13 2002
    end   date: 16:54:48 PST Feb 13 2007
  Associated Trustpoints: TP

```

## Configuring Manual Certificate Enrollment with Key Regeneration Example

The following example shows how to regenerate new keys with a manual certificate enrollment from the CA named "trustme2":

```

crypto pki trustpoint trustme2
  enrollment url http://trustme2.example.com/
  subject-name OU=Spiral Dept., O=example.com
  ip-address ethernet0
  serial-number none
  regenerate
  password password1
  rsakeypair trustme2 2048
  exit
crypto pki authenticate trustme2
crypto pki enroll trustme2

```

## Creating and Verifying a Persistent Self-Signed Certificate Example

The following example shows how to declare and enroll a trustpoint named “local” and generate a self-signed certificate with an IP address:

```
crypto pki trustpoint local
  enrollment selfsigned
end
configure terminal
Enter configuration commands, one per line. End with CNTL/Z.
crypto pki enroll local
Nov 29 20:51:13.067: %SSH-5-ENABLED: SSH 1.99 has been enabled
Nov 29 20:51:13.267: %CRYPTO-6-AUTOGEN: Generated new 512 bit key pair
% Include the router serial number in the subject name? [yes/no]: yes
% Include an IP address in the subject name? [no]: yes
Enter Interface name or IP Address[]: ethernet 0
Generate Self Signed Router Certificate? [yes/no]: yes
Router Self Signed Certificate successfully created
```



### Note

A router can have only one self-signed certificate. If you attempt to enroll a trustpoint configured for a self-signed certificate and one already exists, you receive a notification and are asked if you want to replace it. If so, a new self-signed certificate is generated to replace the existing one.

## Enabling the HTTPS Server Example

The following example shows how to enable the HTTPS server and generate a default trustpoint because one was not previously configured:

```
configure terminal
Enter configuration commands, one per line. End with CNTL/Z.
ip http secure-server
% Generating 1024 bit RSA keys ...[OK]
*Dec 21 19:14:15.421:%PKI-4-NOAUTOSAVE:Configuration was modified. Issue "write memory"
to save new certificate
Router(config)#
```



### Note

You need to save the configuration to NVRAM if you want to keep the self-signed certificate and have the HTTPS server enabled following router reloads.

The following message also appears:

```
*Dec 21 19:14:10.441:%SSH-5-ENABLED:SSH 1.99 has been enabled
```



### Note

Creation of the key pair used with the self-signed certificate causes the Secure Shell (SSH) server to start. This behavior cannot be suppressed. You may want to modify your Access Control Lists (ACLs) to permit or deny SSH access to the router. You can use the `ip ssh rsa keypair-name unexisting-key-pair-name` command to disable the SSH server.



## Verifying the Self-Signed Certificate Configuration Example

The following example displays information about the self-signed certificate that you just created:

```
Router# show crypto pki certificates
Router Self-Signed Certificate
  Status: Available
  Certificate Serial Number: 01
  Certificate Usage: General Purpose
  Issuer:
    cn=IOS-Self-Signed-Certificate-3326000105
  Subject:
    Name: IOS-Self-Signed-Certificate-3326000105
    cn=IOS-Self-Signed-Certificate-3326000105
  Validity Date:
    start date: 19:14:14 GMT Dec 21 2004
    end date: 00:00:00 GMT Jan 1 2020
  Associated Trustpoints: TP-self-signed-3326000105
```



### Note

The number 3326000105 is the router's serial number and varies depending on the router's actual serial number.

The following example displays information about the key pair corresponding to the self-signed certificate:

```
Router# show crypto key mypubkey rsa
% Key pair was generated at: 19:14:10 GMT Dec 21 2004
Key name: TP-self-signed-3326000105
Usage: General Purpose Key
Key is not exportable.
Key Data:
30819F30 0D06092A 864886F7 0D010101 05000381 8D003081 89028181 00B88F70
6BC78B6D 67D6CFF3 135C1D91 8F360292 CA44A032 5AC1A8FD 095E4865 F8C95A2B
BFD1C2B7 E64A3804 9BBD7326 207BD456 19BAB78B D075E78E 00D2560C B09289AE
6DECB8B0 6672FB3A 5CDAEE92 9D4C4F71 F3BCB269 214F6293 4BA8FABF 9486BCFC
2B941BCA 550999A7 2EFE12A5 6B7B669A 2D88AB77 39B38E0E AA23CB8C B7020301 0001
% Key pair was generated at: 19:14:13 GMT Dec 21 2004
Key name: TP-self-signed-3326000105.server
Usage: Encryption Key
Key is not exportable.
Key Data:
307C300D 06092A86 4886F70D 01010105 00036B00 30680261 00C5680E 89777B42
463E5783 FE96EA9E F446DC7B 70499AF3 EA266651 56EE29F4 5B003D93 2FC9F81D
8A46E12F 3FBAC2F3 046ED9DD C5F27C20 1BBA6B9B 08F16E45 C34D6337 F863D605
34E30F0E B4921BC5 DAC9EBBA 50C54AA0 BF551BDD 88453F50 61020301 0001
```



### Note

The second key pair with the name TP-self-signed-3326000105.server is the SSH key pair and is generated when any key pair is created on the router and SSH starts up.

The following example displays information about the trustpoint named "local":

```
Router# show crypto pki trustpoints
Trustpoint local:
  Subject Name:
    serialNumber=C63EBBE9+ipaddress=10.3.0.18+hostname=test.example.com
    Serial Number: 01
  Persistent self-signed certificate trust point
```

## Configuring Direct HTTP Enrollment Example

The following example show how to configure an enrollment profile for direct HTTP enrollment with a CA server:

```
crypto pki trustpoint Entrust
  enrollment profile E
  serial
crypto pki profile enrollment E
  authentication url http://entrust:81
  authentication command GET /certs/cacert.der
  enrollment url http://entrust:81/cda-cgi/clientcgi.exe
  enrollment command POST reference_number=$P2&authcode=$P1
  &retrievedAs=rawDER&action=getServerCert&pkcs10Request=$REQ
  parameter 1 value aaaa-bbbb-cccc
  parameter 2 value 5001
```

## Additional References

### Related Documents

Related Topic	Document Title
USB token RSA operations: Benefits of using USB tokens	“Storing PKI Credentials” module in the Cisco IOS Security Configuration Guide: Secure Connectivity
USB token RSA operations: Certificate server configuration	“Configuring and Managing a Cisco IOS Certificate Server for PKI Deployment” chapter in the Cisco IOS Security Configuration Guide: Secure Connectivity  See the “Generating a Certificate Server RSA Key Pair” section, the “Configuring a Certificate Server Trustpoint” section, and related examples.
Overview of PKI, including RSA keys, certificate enrollment, and CAs	“ Cisco IOS PKI Overview: Understanding and Planning a PKI ” module in the Cisco IOS Security Configuration Guide: Secure Connectivity
Secure Device Provisioning: functionality overview and configuration tasks	“ Setting Up Secure Device Provisioning (SDP) for Enrollment in a PKI ” module in the Cisco IOS Security Configuration Guide: Secure Connectivity
RSA key generation and deployment	“ Deploying RSA Keys Within a PKI ” module in the Cisco IOS Security Configuration Guide: Secure Connectivity
Cisco IOS certificate server overview information and configuration tasks	“ Configuring and Managing a Cisco IOS Certificate Server for PKI Deployment ” module in the Cisco IOS Security Configuration Guide: Secure Connectivity

Related Topic	Document Title
Setting up and using a USB token	“ Storing PKI Credentials ” module in the Cisco IOS Security Configuration Guide: Secure Connectivity
Cisco IOS security commands	<i>Cisco IOS Security Command Reference</i>
Suite-B ESP transforms	Configuring Security for VPNs with IPsec feature module.
Suite-B SHA-2 family (HMAC variant) and Elliptic Curve (EC) key pair configuration.	Configuring Internet Key Exchange for IPsec VPNs feature module.
Suite-B Integrity algorithm type transform configuration.	Configuring Internet Key Exchange Version 2 (IKEv2) feature module.
Suite-B Elliptic Curve Digital Signature Algorithm (ECDSA) signature (ECDSA-sig) authentication method configuration for IKEv2.	Configuring Internet Key Exchange Version 2 (IKEv2) feature module.
Suite-B Elliptic curve Diffie-Hellman (ECDH) support for IPsec SA negotiation	Configuring Internet Key Exchange for IPsec VPNs and Configuring Internet Key Exchange Version 2 (IKEv2) feature modules.
Recommended cryptographic algorithms	<a href="#">Next Generation Encryption</a>

### MIBs

MIB	MIBs Link
None.	To locate and download MIBs for selected platforms, Cisco IOS releases, and feature sets, use Cisco MIB Locator found at the following URL: <a href="http://www.cisco.com/go/mibs">http://www.cisco.com/go/mibs</a>

### Technical Assistance

Description	Link
The Cisco Support and Documentation website provides online resources to download documentation, software, and tools. Use these resources to install and configure the software and to troubleshoot and resolve technical issues with Cisco products and technologies. Access to most tools on the Cisco Support and Documentation website requires a Cisco.com user ID and password.	<a href="http://www.cisco.com/cisco/web/support/index.html">http://www.cisco.com/cisco/web/support/index.html</a>

## Feature Information for PKI Certificate Enrollment

The following table provides release information about the feature or features described in this module. This table lists only the software release that introduced support for a given feature in a given software release train. Unless noted otherwise, subsequent releases of that software release train also support that feature.

Use Cisco Feature Navigator to find information about platform support and Cisco software image support. To access Cisco Feature Navigator, go to [www.cisco.com/go/cfn](http://www.cisco.com/go/cfn). An account on Cisco.com is not required.

**Table 4: Feature Information for PKI Certificate Enrollment**

Feature Name	Releases	Feature Information
Certificate Autoenrollment	Cisco IOS XE Release 2.1	This feature introduces certificate autoenrollment, which allows the router to automatically request a certificate from the CA that is using the parameters in the configuration.  The following commands were introduced by this feature: <b>auto-enroll, rsakeypair, show crypto ca timers.</b>
Certificate Enrollment Enhancements	Cisco IOS XE Release 2.1	This feature introduces five new <b>crypto ca trustpoint</b> commands that provide new options for certificate requests and allow users to specify fields in the configuration instead of having to go through prompts.  The following commands were introduced by this feature: <b>ip-address(ca-trustpoint), password(ca-trustpoint), serial-number, subject-name, usage.</b>

Feature Name	Releases	Feature Information
Direct HTTP Enrollment with CA Servers	Cisco IOS XE Release 2.1	<p>This feature allows users to configure an enrollment profile if their CA server does not support SCEP and they do not want to use an RA-mode CS. The enrollment profile allows users to send HTTP requests directly to the CA server instead of to an RA-mode CS.</p> <p>The following commands were introduced by this feature:  <b>authentication command, authentication terminal, authentication url, crypto ca profile enrollment, enrollment command, enrollment profile, enrollment terminal, enrollment url, parameter.</b></p>
Import of RSA Key Pair and Certificates in PEM Format	Cisco IOS XE Release 2.1	<p>This feature allows customers to issue certificate requests and receive issued certificates in PEM-formatted files.</p> <p>The following commands were modified by this feature:  <b>enrollment, enrollment terminal.</b></p>
Key Rollover for Certificate Renewal	Cisco IOS XE Release 2.1	<p>This feature allows the certificate renewal request to be made before the certificate expires and retains the old key and certificate until the new certificate is available.</p> <p>The following commands were introduced or modified by this feature:  <b>auto-enroll, regenerate.</b></p>
Manual Certificate Enrollment (TFTP Cut-and-Paste)	Cisco IOS XE Release 2.1	<p>This feature allows users to generate a certificate request and accept CA certificates and the router's certificates via a TFTP server or manual cut-and-paste operations.</p> <p>The following commands were introduced or modified by this feature:  <b>crypto ca import, enrollment, enrollment terminal.</b></p>

Feature Name	Releases	Feature Information
Persistent Self-Signed Certificates	Cisco IOS XE Release 2.1	<p>This feature allows the HTTPS server to generate and save a self-signed certificate in the router startup configuration. Thus, future SSL handshakes between the client and the HTTPS server can use the same self-signed certificate without user intervention.</p> <p>The following commands were introduced or modified by this feature: <b>enrollment selfsigned</b>, <b>show crypto pki certificates</b>, <b>show crypto pki trustpoints</b>.</p>
PKI Status	Cisco IOS XE Release 2.1	<p>This enhancement adds the <b>status</b> keyword to the <b>show crypto pki trustpoints</b> command, which allows you to display the current status of the trustpoint.</p> <p><b>Note</b> This is a minor enhancement. Minor enhancements are not typically listed in Feature Navigator.</p>
Reenroll Using Existing Certificates	Cisco IOS XE Release 2.1	<p>This feature allows users to reenroll a router with a Cisco IOS CA via existing certificates from a third-party vendor CA.</p> <p>The following commands were introduced by this feature: <b>enrollment credential</b>, <b>grant auto trustpoint</b>.</p>

Feature Name	Releases	Feature Information
Suite-B support in IOS SW crypto	Cisco IOS XE Release 3.7S	<p>Suite-B adds the following support for certificate enrollment for a PKI:</p> <ul style="list-style-type: none"> <li>• Elliptic Curve Digital Signature Algorithm (ECDSA) (256 bit and 384 bit curves) is used for the signature operation within X.509 certificates.</li> <li>• PKI support for validation of for X.509 certificates using ECDSA signatures.</li> <li>• PKI support for generating certificate requests using ECDSA signatures and for importing the issued certificates into IOS.</li> </ul> <p>Suite-B requirements comprise of four user interface suites of cryptographic algorithms for use with IKE and IPsec that are described in RFC 4869. Each suite consists of an encryption algorithm, a digital signature algorithm, a key agreement algorithm, and a hash or message digest algorithm. See the <i>Configuring Security for VPNs with IPsec</i> feature module for more detailed information about Cisco IOS Suite-B support.</p>
Trustpoint CLI	Cisco IOS XE Release 2.1	This feature introduces the <b>crypto pki trustpoint</b> command, which adds support for trustpoint CAs.







## PKI Credentials Expiry Alerts

---

The PKI Credentials Expiry Alerts feature provides a warning mechanism in the form of an alert notification when a CA certificate is on the verge of expiry.

- [Finding Feature Information, page 125](#)
- [Restrictions for PKI Credentials Expiry Alerts, page 125](#)
- [Information About PKI Alerts Notification, page 126](#)
- [Additional References for PKI Credentials Expiry Alerts, page 127](#)
- [Feature Information for PKI Credentials Expiry Alerts, page 128](#)

### Finding Feature Information

Your software release may not support all the features documented in this module. For the latest caveats and feature information, see [Bug Search Tool](#) and the release notes for your platform and software release. To find information about the features documented in this module, and to see a list of the releases in which each feature is supported, see the feature information table.

Use Cisco Feature Navigator to find information about platform support and Cisco software image support. To access Cisco Feature Navigator, go to [www.cisco.com/go/cfn](http://www.cisco.com/go/cfn). An account on Cisco.com is not required.

### Restrictions for PKI Credentials Expiry Alerts

Alerts are not sent for the following certificates:

- Persistent or temporary self-signed certificates.
- Secure Unique Device Identifier (SUDI) certificates.
- Certificates that belong to a trustpool. Trustpools have their own expiry alerts mechanism.
- Trustpoint clones.

# Information About PKI Alerts Notification

## Overview of Alerts Notification

The Cisco IOS Certificate Authority (CA) server allows autoenrollment of certificates before a certificate expires to ensure the availability of certificates for applications during authentication. However, network outages, clock update problems, and overloaded CAs can impede certificate renewal, thereby resulting in subsystems going offline because no valid certificates can be used for authentication. The PKI Credentials Expiry Alerts feature provides a mechanism by which a CA client sends a notification to a syslog server when certificates are on the verge of expiry.

The notifications are sent at the following intervals:

- First notification—This is sent 60 days before the expiry of the certificate.
- Repeated notifications—After the first notification, subsequent notifications are sent every week until a week before the expiry of the certificate. In the last week, notifications are sent every day until the certificate expiry date.

The notifications are in a *warning* mode when the certificate is valid for more than a week. The notifications are in an *alert* mode when a certificate's validity is less than a week. The notifications include the following information:

- Trustpoint the certificate is associated with
- Certificate type
- Serial number of the certificate
- Certificate issuer name
- Number of days remaining for the certificate to expire
- Whether the certificate is enabled with autoenrollment
- Whether a shadow certificate is available for the corresponding certificate



### Note

Alert notifications are sent either via the syslog server or Simple Network Management Protocol (SNMP) traps. Notifications stop when a trustpoint is configured with autoenrollment and the corresponding shadow or rollover certificate is present, and the shadow or rollover certificate's start time is either the same or earlier than the certificate's end time.

This feature cannot be disabled and requires no additional configuration tasks. The **show crypto pki timers** command is enhanced to display the timer expiry information. The following is a sample output from the **show crypto pki timers detail** command that displays the timer when a certificate is about to expire. When this timer expires, a notification is sent to the syslog server.

```
Device# show crypto pki timers detail

PKI Timers
|290d 8:57:16.862
|290d 8:57:16.862 TRUSTPOOL
|985d11:54:50.783 SHADOW tp
```

```
Expiry Alert Timers
| 6d23:56:08.241
| 6d23:56:08.241 ID(tp)
|1034d23:54:50.783 CA(tp)
```

The following is a syslog message that is displayed on the device:

Device#

```
Dec 16 10:24:13.533: %PKI-4-CERT_EXPIRY_WARNING: ID Certificate belonging to trustpoint tp
will expire in 60 Days 0 hours 0 mins 0 secs.
Issuer-name cn=CA
Subject-name hostname=Router
Serial-number 02
Auto-Renewal: Not Enabled
```

## PKI Traps

PKI traps ease the monitoring and operations of a PKI deployment by retrieving certificate information of the devices in the network. The root device sends SNMP traps at regular intervals to the network management system (NMS) based on the threshold configured in the device. The traps are sent in the following scenarios:

- A new certificate is installed—An SNMP trap (new certificate notification) is sent to the SNMP server containing information about the certificate, such as, certificate serial number, certificate issuer name, certificate subject name, trustpoint name, certificate type, and certificate start and end date.
- A certificate is about to expire—An SNMP trap (certificate expiry notification) is sent to the SNMP server at regular intervals starting from 60 days to one week before the certificate's end date. In the week leading up to the expiration of the certificate, the trap is sent everyday. The trap contains certificate information, such as, certificate serial number, certificate issuer name, trustpoint name, certificate type, and certificate's remaining lifetime.

To enable PKI traps, use the **snmp-server enable traps pki** command.



### Note

If the shadow or rollover certificate's start time is later than the certificate's end time, traps are sent stating that the shadow certificate is not yet valid. However, no traps are sent if a shadow certificate available for the same trustpoint, and the shadow certificate becomes active.

## Additional References for PKI Credentials Expiry Alerts

### Related Documents

Related Topic	Document Title
Cisco IOS Commands	<a href="#">Cisco IOS Master Command List, All Releases</a>

Related Topic	Document Title
Security Commands	<ul style="list-style-type: none"> <li>• <a href="#">Cisco IOS Security Command Reference Commands A to C</a></li> <li>• <a href="#">Cisco IOS Security Command Reference Commands D to L</a></li> <li>• <a href="#">Cisco IOS Security Command Reference Commands M to R</a></li> <li>• <a href="#">Cisco IOS Security Command Reference Commands S to Z</a></li> </ul>

### Technical Assistance

Description	Link
The Cisco Support and Documentation website provides online resources to download documentation, software, and tools. Use these resources to install and configure the software and to troubleshoot and resolve technical issues with Cisco products and technologies. Access to most tools on the Cisco Support and Documentation website requires a Cisco.com user ID and password.	<a href="http://www.cisco.com/cisco/web/support/index.html">http://www.cisco.com/cisco/web/support/index.html</a>

## Feature Information for PKI Credentials Expiry Alerts

The following table provides release information about the feature or features described in this module. This table lists only the software release that introduced support for a given feature in a given software release train. Unless noted otherwise, subsequent releases of that software release train also support that feature.

Use Cisco Feature Navigator to find information about platform support and Cisco software image support. To access Cisco Feature Navigator, go to [www.cisco.com/go/cfn](http://www.cisco.com/go/cfn). An account on Cisco.com is not required.

**Table 5: Feature Information for PKI Credentials Expiry Alerts**

Feature Name	Releases	Feature Information
PKI Credentials Expiry Alerts	Cisco IOS XE Release 3.15S	The following command was modified: <b>show crypto pki timers</b> .



# Configuring and Managing a Cisco IOS XE Certificate Server for PKI Deployment

This module describes how to set up and manage a Cisco IOS certificate server for public key infrastructure (PKI) deployment. A certificate server embeds a simple certificate server, with limited certification authority (CA) functionality, into the Cisco software. Thus, the following benefits are provided to the user:

- Easier PKI deployment by defining default behavior. The user interface is simpler because default behaviors are predefined. That is, you can leverage the scaling advantages of PKI without all of the certificate extensions that a CA provides, thereby allowing you to easily enable a basic PKI-secured network.
- Direct integration with Cisco software.



## Note

Security threats, as well as the cryptographic technologies to help protect against them, are constantly changing. For more information about the latest Cisco cryptographic recommendations, see the [Next Generation Encryption \(NGE\)](#) white paper.

- [Finding Feature Information](#), page 130
- [Prerequisites for Configuring a Cisco IOS XE Certificate Server](#), page 130
- [Restrictions for Configuring a Cisco IOS XE Certificate Server](#), page 131
- [Information About Cisco IOS XE Certificate Servers](#), page 131
- [How to Set Up and Deploy a Cisco IOS XE Certificate Server](#), page 139
- [Configuration Examples for Using a Certificate Server](#), page 166
- [Where to Go Next](#), page 177
- [Additional References for Configuring and Managing a Cisco IOS XE Certificate Server for PKI Deployment](#), page 177
- [Feature Information for Configuring and Managing a Cisco IOS XE Certificate Server for PKI Deployment](#), page 178

## Finding Feature Information

Your software release may not support all the features documented in this module. For the latest caveats and feature information, see [Bug Search Tool](#) and the release notes for your platform and software release. To find information about the features documented in this module, and to see a list of the releases in which each feature is supported, see the feature information table.

Use Cisco Feature Navigator to find information about platform support and Cisco software image support. To access Cisco Feature Navigator, go to [www.cisco.com/go/cfn](http://www.cisco.com/go/cfn). An account on Cisco.com is not required.

## Prerequisites for Configuring a Cisco IOS XE Certificate Server

### Planning Your PKI Before Configuring the Certificate Server

Before configuring a Cisco IOS XE certificate server, it is important that you have planned for and chosen appropriate values for the settings you intend to use within your PKI (such as certificate lifetimes and certificate revocation list (CRL) lifetimes). After the settings have been configured in the certificate server and certificates have been granted, settings cannot be changed without having to reconfigure the certificate server and reenrolling the peers. For information on certificate server default settings and recommended settings, see section “*Certificate Server Default Values and Recommended Values.*”

### Enabling an HTTP Server

The certificate server supports Simple Certificate Enrollment Protocol (SCEP) over HTTP. The HTTP server must be enabled on the router for the certificate server to use SCEP. (To enable the HTTP server, use the **ip http server** command.) The certificate server automatically enables or disables SCEP services after the HTTP server is enabled or disabled. If the HTTP server is not enabled, only manual PKCS10 enrollment is supported.

**Note**

---

To take advantage of automatic CA certificate and key pair rollover functionality for all types of certificate servers, SCEP must be used as the enrollment method.

---

### Configuring Reliable Time Services

Time services must be running on the router because the certificate server must have reliable time knowledge. If a hardware clock is unavailable, the certificate server depends on manually configured clock settings, such as Network Time Protocol (NTP). If there is not a hardware clock or the clock is invalid, the following message is displayed at bootup:

```
% Time has not been set. Cannot start the Certificate server.
```

After the clock has been set, the certificate server automatically switches to running status.

For information on manually configuring clock settings, see the module [Setting Time and Calendar Services](#) in the *Basic System Management Configuration Guide, Cisco IOS XE Release 3S*.

# Restrictions for Configuring a Cisco IOS XE Certificate Server

The certificate server does not provide a mechanism for modifying the certificate request that is received from the client; that is, the certificate that is issued from the certificate server matches the requested certificate without modifications. If a specific certificate policy, such as name constraints, must be issued, the policy must be reflected in the certificate request.

## Information About Cisco IOS XE Certificate Servers

### RSA Key Pair and Certificate of the Certificate Server

The certificate server automatically generates a 1024-bit Rivest, Shamir, and Adelman (RSA) key pair. You must manually generate an RSA key pair if you prefer a different key pair modulus. For information on completing this task, see the section “*Generating a Certificate Server RSA Key Pair*.”

**Note**

---

The recommended modulus for a certificate server RSA key pair is 2048 bits.

---

The certificate server uses a regular Cisco IOS XE RSA key pair as its CA key. This key pair must have the same name as the certificate server. If you do not generate the key pair before the certificate server is created on the router, a general-purpose key pair is automatically generated during the configuration of the certificate server.

The CA certificate and CA key can be backed up automatically one time after they are generated by the certificate server. As a result, it is not necessary to generate an exportable CA key for backup purposes.

#### What to Do with Automatically Generated Key Pairs

If the key pair is automatically generated, it is not marked as exportable. Thus, you must manually generate the key pair as exportable if you want to back up the CA key. For information on how to complete this task, see the section “*Generating a Certificate Server RSA Key Pair*.”

### How the CA Certificate and CA Key Are Automatically Archived

At initial certificate server setup, you can enable the CA certificate and the CA key to be automatically archived so that they may be restored later if either the original copy or the original configuration is lost.

When the certificate server is turned on the first time, the CA certificate and CA key is generated. If automatic archive is also enabled, the CA certificate and the CA key is exported (archived) to the server database. The archive can be in PKCS12 or privacy-enhanced mail (PEM) format.

**Note**

---

This CA key backup file is extremely important and should be moved immediately to another secured place.

---

- This archiving action occurs only one time. Only the CA key that is (1) manually generated and marked exportable or (2) automatically generated by the certificate server is archived (this key is marked nonexportable).
- Autoarchiving does not occur if you generate the CA key manually and mark it “nonexportable.”
- In addition to the CA certificate and CA key archive file, you should also regularly back up the serial number file (.ser) and the CRL file (.crl). The serial file and the CRL file are both critical for CA operation if you need to restore your certificate server.
- It is not possible to manually back up a server that uses nonexportable RSA keys or manually generated, nonexportable RSA keys. Although automatically generated RSA keys are marked as nonexportable, they are automatically archived once.

## Certificate Server Database

The Cisco IOS XE certificate server stores files for its own use and may publish files for other processes to use. Critical files generated by the certificate server that are needed for its ongoing operation are stored to only one location per file type for its exclusive use. The certificate server reads from and writes to these files. The critical certificate server files are the serial number file (.ser) and the CRL storage location file (.crl). Files that the certificate server writes to, but does not read from again, may be published and available for use by other processes. An example of a file that may be published is the issued certificates file (.crt).

Performance of your certificate server may be affected by the following factors, which should be considered when you choose storage options and publication options for your certificate server files.

- The storage or publish locations you choose may affect your certificate server performance. Reading from a network location takes more time than reading directly from a router’s local storage device.
- The number of files you choose to store or publish to a specific location may affect your certificate server performance. The local Cisco IOS XE file system may not always be suitable for a large number of files.
- The file types you choose to store or publish may affect your certificate server performance. Certain files, such as the .crl files, can become very large.



---

**Note**

It is recommended that you store .ser and .crl files to your local Cisco IOS XE file system and publish your .crt files to a remote file system.

---

## Certificate Server Database File Storage

The certificate server allows the flexibility to store different critical file types to different storage locations depending on the database level set (see the **database level** command for more information). When choosing storage locations, consider the file security needed and server performance. For instance, serial number files and archive files (.p12 or .pem) might have greater security restrictions than the issued certificates file storage location (.crt) or the name file storage location (.cnm).

The table below shows the critical certificate server file types by file extension that may be stored to a specific location.



**Table 6: Certificate Server Storage Critical File Types**

File Extension	File Type
.ser	The main certificate server database file.
.crl	The CRL storage location.
.crt	The issued certificates storage location.
.cnm	The certificate name and expiration file storage location.
.p12	The certificate server certificate archive file location in PKCS12 format.
.pem	The certificate server certificate archive file location in PEM format.

Cisco IOS XE certificate server files may be stored to three levels of specificity:

- Default location, NVRAM
- Specified primary storage location for all critical files
- Specified storage location for specific critical file(s).

A more specific storage location setting overrides a more general storage location setting. For instance, if you have not specified any certificate server file storage locations, all certificate server files are stored to NVRAM. If you specify a storage location for the name file, only the name file is stored there; all other files continue to be stored to NVRAM. If you then specify a primary location, all files except the name file is now stored to this location, instead of NVRAM.

**Note**

You may specify either .p12 or .pem; you cannot specify both types of archive files.

## Certificate Server Database File Publication

A publish file is a copy of the original file and is available for other processes to use or for your use. If the certificate server fails to publish a file, it does cause the server to shut down. You may specify one publish location for the issued certificates file and name file and multiple publish locations for the CRL file. See the table below for files types available for publication. You may publish files regardless of the database level that is set.

**Table 7: Certificate Server Publish File Types**

File Extension	File Type
.crl	The CRL publish location.

File Extension	File Type
.crt	The issued certificates publish location.
.cnm	The certificate name and expiration file publish location.

## Trustpoint of the Certificate Server

If the certificate server also has an automatically generated trustpoint of the same name, then the trustpoint stores the certificate of the certificate server. After the router detects that a trustpoint is being used to store the certificate of the certificate server, the trustpoint is locked so that it cannot be modified.

Before configuring the certificate server you can perform the following:

- Manually create and set up this trustpoint (using the **crypto pki trustpoint** command), which allows you to specify an alternative RSA key pair (using the **rsa keypair** command).
- Specify that the initial autoenrollment key pair is generated on a specific device, such as a configured and available USB token, using the **on** command.



### Note

The automatically generated trustpoint and the certificate server certificate are not available for the certificate server device identity. Thus, any command-line interface (CLI) (such as the **ip http secure-trustpoint** command) that is used to specify the CA trustpoint to obtain certificates and authenticate the connecting client's certificate must point to an additional trustpoint configured on the certificate server device.

If the server is a root certificate server, it uses the RSA key pairs and several other attributes to generate a self-signed certificate. The associated CA certificate has the following key usage extensions--Digital Signature, Certificate Sign, and CRL Sign.

After the CA certificate is generated, attributes can be changed only if the certificate server is destroyed.



### Note

A certificate server trustpoint must not be automatically enrolled using the **auto-enroll** command. Initial enrollment of the certificate server must be initiated manually and ongoing automatic rollover functionality may be configured with the **auto-rollover** command. For more information on automatic rollover functionality, see the section "[Automatic CA Certificate and Key Rollover, on page 137.](#)"

## Certificate Revocation Lists (CRLs)

By default, CRLs are issued once every 168 hours (1 calendar week). To specify a value other than the default value for issuing the CRL, execute the **lifetime crl** command. After the CRL is issued, it is written to the specified database location as *ca-label.crl*, where *ca-label* is the name of the certificate server.

CRLs can be distributed through SCEP, which is the default method, or a CRL distribution point (CDP), if configured and available. If you set up a CDP, use the **cdp-url** command to specify the CDP location. If the

**cdp-url** command is not specified, the CDP certificate extension is not included in the certificates that are issued by the certificate server. If the CDP location is not specified, Cisco IOS PKI clients automatically request a CRL from the certificate server with a SCEP GetCRL message. The CA then returns the CRL in a SCEP CertRep message to the client. Because all SCEP messages are enveloped and signed PKCS#7 data, the SCEP retrieval of the CRL from the certificate server is costly and not highly scalable. In very large networks, an HTTP CDP provides better scalability and is recommended if you have many peer devices that check CRLs. You may specify the CDP location by a simple HTTP URL string for example,

```
cdp-url http://my-cdp.company.com/filename.crl
```

The certificate server supports only one CDP; thus, all certificates that are issued include the same CDP.

If you have PKI clients that are not running Cisco IOS software and that do not support a SCEP GetCRL request and wish to use a CDP you may set up an external server to distribute CRLs and configure the CDP to point to that server. Or, you can specify a non-SCEP request for the retrieval of the CRL from the certificate server by specifying the **cdp-url** command with the URL in the following format where *cs-addr* is the location of the certificate server:

```
cdp-url http://cs-addr/cgi-bin/pkiclient.exe?operation=GetCRL
```

**Note**

---

If your Cisco IOS XE CA is also configured as your HTTP CDP server, specify your CDP with the **cdp-url** `http://cs-addr/cgi-bin/pkiclient.exe?operation=GetCRL` command syntax.

---

It is the responsibility of the network administrator to ensure that the CRL is available from the location that is specified through the **cdp-url** command.

In order to force the parser to retain the embedded question mark within the specified location, enter Ctrl-v prior to the question mark. If this action is not taken, CRL retrieval through HTTP returns an error message.

The CDP location may be changed after the certificate server is running through the **cdp-url** command. New certificates contain the updated CDP location, but existing certificates are not reissued with the newly specified CDP location. When a new CRL is issued, the certificate server uses its current cached CRL to generate a new CRL. (When the certificate server is rebooted, it reloads the current CRL from the database.) A new CRL cannot be issued unless the current CRL has expired. After the current CRL expires, a new CRL is issued only after a certificate is revoked from the CLI.

## Certificate Server Error Conditions

At startup, the certificate server checks the current configuration before issuing any certificates. It reports the last known error conditions through the **show crypto pki server** command output. Example errors can include any of the following conditions:

- Storage inaccessible
- Waiting for HTTP server
- Waiting for time setting

If the certificate server experiences a critical failure at any time, such as failing to publish a CRL, the certificate server automatically enters a disabled state. This state allows the network administrator to fix the condition; thereafter, the certificate server returns to the previous normal state.

## Certificate Enrollment Using a Certificate Server

A certificate enrollment request functions as follows:

- The certificate server receives the enrollment request from an end user, and the following actions occur:
  - A request entry is created in the enrollment request database with the initial state. (See the table below for a complete list of certificate enrollment request states.)
  - The certificate server refers to the CLI configuration (or the default behavior any time a parameter is not specified) to determine the authorization of the request. Thereafter, the state of the enrollment request is updated in the enrollment request database.
- At each SCEP query for a response, the certificate server examines the current request and performs one of the following actions:
  - Responds to the end user with a “pending” or “denied” state.
  - Generates and signs the appropriate certificate and stores the certificate in the enrollment request database.

If the connection of the client has closed, the certificate server waits for the client to request another certificate.

All enrollment requests transition through the certificate enrollment states that are defined in the table below. To see current enrollment requests, use the **crypto pki server request pkcs10** command.

**Table 8: Certificate Enrollment Request State Descriptions**

Certificate Enrollment State	Description
authorized	The certificate server has authorized the request.
denied	The certificate server has denied the request for policy reasons.
granted	The CA core has generated the appropriate certificate for the certificate request.
initial	The request has been created by the SCEP server.
malformed	The certificate server has determined that the request is invalid for cryptographic reasons.
pending	The enrollment request must be manually accepted by the network administrator.

### SCEP Enrollment

All SCEP requests are treated as new certificate enrollment requests, even if the request specifies a duplicate subject name or public key pair as a previous certificate request.

## Types of CA Servers Subordinate and Registration Authorities (RAs)

CA servers have the flexibility to be configured as a subordinate certificate server or an RA-mode certificate server.

### Why Configure a Subordinate CA?

A subordinate certificate server provides all the same features as a root certificate server. The root RSA key pairs are extremely important in a PKI hierarchy, and it is often advantageous to keep them offline or archived. To support this requirement, PKI hierarchies allow for subordinate CAs that have been signed by the root authority. In this way, the root authority can be kept offline (except to issue occasional CRL updates), and the subordinate CA can be used during normal operation.

### Why Configure an RA-Mode Certificate Server?

A Cisco IOS XE certificate server can be configured to run in RA mode. An RA offloads authentication and authorization responsibilities from a CA. When the RA receives a SCEP or manual enrollment request, the administrator can either reject or grant it on the basis of local policy. If the request is granted, it is forwarded to the issuing CA, and the CA automatically generates the certificate and return it to the RA. The client can later retrieve the granted certificate from the RA.

An RA is the authority charged with recording or verifying some or all of the data required for the CA to issue certificates. In many cases the CA undertakes all of the RA functions itself, but where a CA operates over a wide geographical area or when there is security concern over exposing the CA to direct network access, it may be administratively advisable to delegate some of the tasks to an RA and leave the CA to concentrate on its primary tasks of signing certificates and CRLs.

### CA Server Compatibility

The CA server compatibility allows the IOS CA server in RA mode to interoperate with more than one type of CA server. For more information, see *“Configuring a Certificate Server to Run in RA Mode.”*

## Automatic CA Certificate and Key Rollover

CAs--root CAs, subordinate CAs, and RA-mode CAs--like their clients, have certificates and key pairs with expiration dates that need to be reissued when the current certificate and key pair are about to expire. When a root CA's certificate and key pair are expiring it must generate a self-signed rollover certificate and key pair. If a subordinate CA or an RA-mode CA's certificate and key pair are expiring, it requests a rollover certificate and key pair from its superior CA, obtaining the superior CA's new self-signed rollover certificates at the same time. The CA must distribute the new CA rollover certificate and keys too all its peers. This process, called rollover, allows for continuous operation of the network while the CAs and their clients are switching from an expiring CA certificate and key pair to a new CA certificate and key pair.

Rollover relies on the PKI infrastructure requirements of trust relationships and synchronized clocks. The PKI trust relationships allow (1) the new CA certificate to be authenticated, and (2) the rollover to be accomplished automatically without the loss of security. Synchronized clocks allow the rollover to be coordinated throughout your network.

## Automatic CA Certificate Rollover How It Works

The CA server must have rollover configured. All levels of CAs must be automatically enrolled and have **auto-rollover** enabled. CA clients support rollover automatically when automatically enrolled. For more information about clients and automatic rollover, see the section “Automatic Certificate Enrollment” in the chapter “Configuring Certificate Enrollment for a PKI”.

After CAs have rollover enabled and their clients are automatically enrolled, there are three stages to the automatic CA certificate rollover process.

### Stage One: Active CA Certificate and Key Pair Only

In stage one, there is an active CA certificate and key pair only.

### Stage Two: Rollover CA Certificate and Key Pair Generation and Distribution

In stage two, the rollover CA certificate and key pair are generated and distributed. The superior CA generates a rollover certificate and key pair. After the CA successfully saves its active configuration, the CA is ready to respond to client requests for the rollover certificate and key pair. When the superior CA receives a request for the new CA certificate and key pair from a client, the CA responds by sending the new rollover CA certificate and key pair to the requesting client. The clients store the rollover CA certificate and key pair.



#### Note

When a CA generates its rollover certificate and key pair, it must be able to save its active configuration. If the current configuration has been altered, saving of the rollover certificate and key pair does not happen automatically. In this case, the administrator must save the configuration manually or rollover information is lost.

### Stage Three: Rollover CA Certificate and Key Pair Become the Active CA Certificate and Key Pair

In stage three, the rollover CA certificate and key pair become the active CA certificate and key pair. All devices that have stored a valid rollover CA certificate rename the rollover certificate to the active certificate and the once-active certificate and key pair are deleted.

After the CA certificate rollover, you may observe the following deviation from usual certificate lifetime and renewal time:

- The lifetime of the certificates issued during rollover is lower than the preconfigured value.
- In specific conditions, the renew time may be inferior to the configured percentage of the actual lifetime. The difference observed can be of up to 20% in cases where the certificate lifetime is less than one hour.

These differences are normal, and result from **jitter** (random time fluctuation) introduced by the algorithm on the Certificate server. This task is performed to avoid the hosts participating to the PKI synchronize their enrollment timer, which could result in congestion on the Certificate Server.



#### Note

The lifetime fluctuations that occur do not affect proper functioning of the PKI, since the differences always result in a shorter lifetime, thus remaining within maximum configured lifetime for certificates.

## Support for Specifying a Cryptographic Hash Function

Secure Hash Algorithm (SHA) support allows a user to specify a cryptographic hash function for Cisco IOS XE certificate servers and clients. The cryptographic hash functions that can be specified are Message Digest algorithm 5 (MD5), SHA-1, SHA-256, SHA-384, or SHA-512.

**Note**

Cisco no longer recommends using MD5; instead, you should use SHA-256 where supported. For more information about the latest Cisco cryptographic recommendations, see the [Next Generation Encryption \(NGE\)](#) white paper.

See the “*Configuring a Subordinate Certificate Server*” task for more information on specifying the **hash** (ca-trustpoint) and **hash** (cs-server) commands that are used to implement this feature.

## How to Set Up and Deploy a Cisco IOS XE Certificate Server

### Generating a Certificate Server RSA Key Pair

Perform this task to manually generate an RSA key pair for the certificate server. Manually generating a certificate server RSA key pair allows you to specify the type of key pair you want to generate, to create an exportable key pair for backup purposes, to specify the key pair storage location, or to specify the key generation location.

**Note**

You may want to create an exportable certificate server key pair for backup, or archive purposes. If this task is not performed, the certificate server automatically generates a key pair, which is not marked as exportable.

If your device has a USB token configured and available, the USB token can be used as cryptographic device in addition to a storage device. Using a USB token as a cryptographic device allows RSA operations such as key generation, signing, and authentication of credentials to be performed on a USB token. The private key never leaves the USB token and is not exportable. The public key is exportable. For titles of specific documents about configuring a USB token and making it available to use as a cryptographic device, see the “Related Documents” section.

**Note**

It is recommended that the private key be kept in a secure location and that you regularly archive the certificate server database.

**Note**

Security threats, as well as the cryptographic technologies to help protect against them, are constantly changing. For more information about the latest Cisco cryptographic recommendations, see the [Next Generation Encryption \(NGE\)](#) white paper.

## SUMMARY STEPS

1. **enable**
2. **configure terminal**
3. **crypto key generate rsa** [general-keys | usage-keys | signature | encryption] [label *key-label*] [exportable] [modulus *modulus-size*] [storage *devicename:*] [on *devicename:*]
4. **crypto key export rsa** *key-label* pem {terminal | url *url*} {3des | des} *passphrase*
5. **crypto key import rsa** *key-label* pem [usage-keys | signature | encryption] {terminal | url *url*} [exportable] [on *devicename:*] *passphrase*
6. **exit**
7. **show crypto key mypubkey rsa**

## DETAILED STEPS

	Command or Action	Purpose
Step 1	<b>enable</b>  <b>Example:</b> Device> enable	Enables privileged EXEC mode. <ul style="list-style-type: none"> <li>• Enter your password if prompted.</li> </ul>
Step 2	<b>configure terminal</b>  <b>Example:</b> Device# configure terminal	Enters global configuration mode.
Step 3	<b>crypto key generate rsa</b> [general-keys   usage-keys   signature   encryption] [label <i>key-label</i> ] [exportable] [modulus <i>modulus-size</i> ] [storage <i>devicename:</i> ] [on <i>devicename:</i> ]  <b>Example:</b> Device(config)# crypto key generate rsa label mycs exportable modulus 2048	Generates the RSA key pair for the certificate server. <ul style="list-style-type: none"> <li>• The <b>storage</b> keyword specifies the key storage location.</li> <li>• When specifying a label name by specifying the <i>key-label</i> argument, you must use the same name for the label that you plan to use for the certificate server (through the <b>crypto pki server cs-label</b> command). If a <i>key-label</i> argument is not specified, the default value, which is the fully qualified domain name (FQDN) of the router, is used.</li> </ul> <p>If the exportable RSA key pair is manually generated after the CA certificate has been generated, and before issuing the <b>no shutdown</b> command, then use the <b>crypto ca export pks12</b> command to export a PKCS12 file that contains the certificate server certificate and the private key.</p> <ul style="list-style-type: none"> <li>• By default, the modulus size of a CA RSA key is 1024 bits. The recommended modulus for a CA RSA key is 2048 bits. The range for a modulus size of a CA RSA key is from 350 to 4096 bits.</li> <li>• The <b>on</b> keyword specifies that the RSA key pair is created on the specified device, including a Universal Serial Bus (USB) token, local disk, or NVRAM. The name of the device is followed by a colon (:).</li> </ul>



	Command or Action	Purpose
		<b>Note</b> Keys created on a USB token must be 2048 bits or less.
<b>Step 4</b>	<b>crypto key export rsa</b> <i>key-label</i> <b>pem</b> { <b>terminal</b>   <b>url url</b> } { <b>3des</b>   <b>des</b> } <i>passphrase</i>  <b>Example:</b> Device(config)# crypto key export rsa mysc pem url nvram: 3des PASSWORD	(Optional) Exports the generated RSA key pair. Allows you to export the generated keys.
<b>Step 5</b>	<b>crypto key import rsa</b> <i>key-label</i> <b>pem</b> [ <b>usage-keys</b>   <b>signature</b>   <b>encryption</b> ] { <b>terminal</b>   <b>url url</b> } [ <b>exportable</b> ] [ <b>on devicename:</b> ] <i>passphrase</i>  <b>Example:</b> Device(config)# crypto key import rsa mysc2 pem url nvram:mysc PASSWORD	(Optional) Imports RSA key pair. To create the imported keys on a USB token, use the <b>on</b> keyword and specify the appropriate device location.  If you exported the RSA keys using the <b>exportable</b> keyword and you want to change the RSA key pair to nonexportable, import the key back to the certificate server without the <b>exportable</b> keyword. The key cannot be exported again.
<b>Step 6</b>	<b>exit</b>  <b>Example:</b> Device(config)# exit	Exits global configuration.
<b>Step 7</b>	<b>show crypto key mypubkey rsa</b>  <b>Example:</b> Device# show crypto key mypubkey rsa	Displays the RSA public keys of your router.

### Example

The following example generates a general usage 1024-bit RSA key pair on a USB token with the label “ms2” with crypto engine debugging messages shown:

```
Device(config)# crypto key generate rsa on usbtoken0 label ms2 modulus 2048
The name for the keys will be: ms2
% The key modulus size is 2048 bits
% Generating 2048 bit RSA keys, keys will be on-token, non-exportable...
Jan 7 02:41:40.895: crypto_engine: Generate public/private keypair [OK]
Jan 7 02:44:09.623: crypto_engine: Create signature
Jan 7 02:44:10.467: crypto_engine: Verify signature
Jan 7 02:44:10.467: CryptoEngine0: CRYPTO_ISA_RSA_CREATE_PUBKEY(hw) (ipsec)
Jan 7 02:44:10.467: CryptoEngine0: CRYPTO_ISA_RSA_PUB_DECRYPT(hw) (ipsec)
```

Now, the on-token keys labeled “ms2” may be used for enrollment.

The following example shows the successful import of an encryption key to a configured and available USB tokens:

```
Device# configure terminal
```

Enter configuration commands, one per line. End with CNTL/Z.

```
Device(config)# crypto key import rsa encryption on usbtoken0 url nvram:e password
```

```

% Importing public Encryption key or certificate PEM file...
filename [e-encr.pub]?
Reading file from nvram:e-encr.pub
% Importing private Encryption key PEM file...
Source filename [e-encr.prv]?
Reading file from nvram:e-encr.prv
% Key pair import succeeded.

```

## Configuring Certificate Servers

### Prerequisites for Automatic CA Certificate Rollover

When configuring a certificate server, for automatic CA certificate rollover to run successfully, the following prerequisites are applicable for your CA servers:

- Your CA server must be enabled and fully configured with a reliable time of day, an available key pair, a self-signed, valid CA certificate associated with the key pair, a CRL, an accessible storage device, and an active HTTP/SCEP server.
- CA clients must have successfully completed automatic enrollment and have autoenrollment enabled with the same certificate server.

### Restrictions for Automatic CA Certificate Rollover

When configuring a certificate server, in order for automatic CA certificate rollover to run successfully, the following restrictions are applicable:

- SCEP must be used to support rollover. Any device that enrolls with the PKI using an alternative to SCEP as the certificate management protocol or mechanism (such as enrollment profiles, manual enrollment, or TFTP enrollment) is not be able to take advantage of the rollover functionality provided by SCEP.
- If you have automatic archive configured on your network and the archive fails, rollover does not occur because the certificate server does not enter the rollover state, and the rollover certificate and key pair is not automatically saved.

### Configuring a Certificate Server

Perform this task to configure a Cisco IOS XE certificate server and enable automatic rollover.

#### SUMMARY STEPS

1. **enable**
2. **configure terminal**
3. **ip http server**
4. **crypto pki server** *cs-label*
5. **no shutdown**
6. **auto-rollover** [*time-period*]

## DETAILED STEPS

	Command or Action	Purpose
Step 1	<b>enable</b>  <b>Example:</b> Device> enable	Enables privileged EXEC mode.  • Enter your password if prompted.
Step 2	<b>configure terminal</b>  <b>Example:</b> Device# configure terminal	Enters global configuration mode.
Step 3	<b>ip http server</b>  <b>Example:</b> Device(config)# ip http server	Enables the HTTP server on your system.
Step 4	<b>crypto pki server</b> <i>cs-label</i>  <b>Example:</b> Device(config)# crypto pki server server-pki	Defines a label for the certificate server and enters certificate server configuration mode.  <b>Note</b> If you manually generated an RSA key pair, the <i>cs-label</i> argument must match the name of the key pair.
Step 5	<b>no shutdown</b>  <b>Example:</b> Device(cs-server)# no shutdown	(Optional) Enables the certificate server.  <b>Note</b> Only use this command at this point if you want to use the preconfigured default functionality. That is, do not issue this command just yet if you plan to change any of the default settings as shown in the task “Configuring Certificate Server Functionality.”
Step 6	<b>auto-rollover</b> [ <i>time-period</i> ]  <b>Example:</b> Device(cs-server)# auto-rollover 90	(Optional) Enables the automated CA certificate rollover functionality.  • <i>time-period</i> —default is 30 days.

**Examples**

The following example shows how to configure the certificate server “ms2” where ms2 is the label of a 2048-bit RSA key pair:

```
Device(config)# crypto pki server ms2
Device(cs-server)# no shutdown

% Once you start the server, you can no longer change some of
% the configuration.
Are you sure you want to do this? [yes/no]:
yes
% Certificate Server enabled.
Device(cs-server)# end
!
Device# show crypto pki server ms2
Certificate Server ms2:
```

```
Status: enabled, configured
CA cert fingerprint: 5A856122 4051347F 55E8C246 866D0AC3
Granting mode is: manual
Last certificate issued serial number: 0x1
CA certificate expiration timer: 19:44:57 GMT Oct 14 2006
```

```
CRL NextUpdate timer: 19:45:25 GMT Oct 22 2003
Current storage dir: nvram:
Database Level: Complete - all issued certs written as <serialnum>.cer
```

The following example shows how to enable automated CA certificate rollover on the server ms2 with the **auto-rollover** command. The **show crypto pki server** command shows that the automatic rollover has been configured on the server mycs with an overlap period of 25 days.

```
Device(config)# crypto pki server ms2
Device(cs-server)# auto-rollover 25
Device(cs-server)# no shutdown
%Some server settings cannot be changed after CA certificate generation.
% Exporting Certificate Server signing certificate and keys...
% Certificate Server enabled.
Device(cs-server)#
Device# show crypto pki server ms2
Certificate Server ms2:
  Status:enabled
  Server's configuration is locked (enter "shut" to unlock it)
  Issuer name:CN=mycs
  CA cert fingerprint:70AFECA9 211CDDCC 6AA9D7FF 3ADB03AE
  Granting mode is:manual
  Last certificate issued serial number:0x1
  CA certificate expiration timer:00:49:26 PDT Jun 20 2008
  CRL NextUpdate timer:00:49:29 PDT Jun 28 2005
  Current storage dir:nvram:
  Database Level:Minimum - no cert data written to storage
  Auto-Rollover configured, overlap period 25 days
  Autorollover timer:00:49:26 PDT May 26 2008
```

## Configuring a Subordinate Certificate Server

Perform this task to configure a subordinate certificate server to grant all or certain SCEP or manual certificate requests and to enable automatic rollover.



### Note

Security threats, as well as the cryptographic technologies to help protect against them, are constantly changing. For more information about the latest Cisco cryptographic recommendations, see the [Next Generation Encryption \(NGE\)](#) white paper.

### Before You Begin

- The root certificate server should be a Cisco IOS XE certificate server.
- For a subordinate certificate authority (CA), enrollment to the root CA or upstream CA is possible only through SCEP. The upstream CA must be online for the enrollment to the upstream CA to complete. Manual enrollment of subordinate CA to the root CA or upstream CA is not possible.

## SUMMARY STEPS

1. **enable**
2. **configure terminal**
3. **crypto pki trustpoint** *name*
4. **enrollment** [**mode**] [**retry period** *minutes*] [**retry count** *number*] **url** *url* [**pem**]
5. **hash** {**md5** | **sha1** | **sha256** | **sha384** | **sha512**}
6. **exit**
7. **crypto pki server** *cs-label*
8. **issuer name** *DN-string*
9. **mode sub-cs**
10. **auto-rollover** [*time-period*]
11. **grant auto rollover** {**ca-cert** | **ra-cert**}
12. **hash** {**md5** | **sha1** | **sha256** | **sha384** | **sha512**}
13. **no shutdown**

## DETAILED STEPS

	Command or Action	Purpose
Step 1	<b>enable</b>  <b>Example:</b> Device> enable	Enables privileged EXEC mode. <ul style="list-style-type: none"> <li>• Enter your password if prompted.</li> </ul>
Step 2	<b>configure terminal</b>  <b>Example:</b> Device# configure terminal	Enters global configuration mode.
Step 3	<b>crypto pki trustpoint</b> <i>name</i>  <b>Example:</b> Device(config)# crypto pki trustpoint sub	Declares the trustpoint that your subordinate certificate server should use and enters ca-trustpoint configuration mode.
Step 4	<b>enrollment</b> [ <b>mode</b> ] [ <b>retry period</b> <i>minutes</i> ] [ <b>retry count</b> <i>number</i> ] <b>url</b> <i>url</i> [ <b>pem</b> ]  <b>Example:</b> Device(ca-trustpoint)# enrollment url http://caserver.myexample.com - OR - Device(ca-trustpoint)# enrollment url http://[2001:DB8:1:1::1]:80	Specifies the following enrollment parameters of the CA: <ul style="list-style-type: none"> <li>• (Optional) The <b>mode</b> keyword specifies the registration authority (RA) mode, if your CA system provides an RA. By default, RA mode is disabled.</li> <li>• (Optional) The <b>retry period</b> keyword and <i>minutes</i> argument specifies the period, in minutes, in which the router waits before sending the CA another certificate request. Valid values are from 1 to 60. The default is 1.</li> <li>• (Optional) The <b>retry count</b> keyword and <i>number</i> argument specifies the number of times a router will resend a certificate request when it does not receive a response from the previous request. Valid values are from 1 to 100. The default is 10.</li> </ul>

	Command or Action	Purpose
		<ul style="list-style-type: none"> <li>The <i>url</i> argument is the URL of the CA to which your router should send certificate requests.</li> <li><b>Note</b> An IPv6 address can be added to the <b>http</b>: enrollment method. For example: <code>http://[ipv6-address]:80</code>. The IPv6 address must be enclosed in brackets in the URL. See the <i>enrollment url (ca-trustpoint)</i> command page for more information on the other enrollment methods that can be used.</li> <li>(Optional) The <b>pem</b> keyword adds privacy-enhanced mail (PEM) boundaries to the certificate request.</li> </ul>
<b>Step 5</b>	<b>hash</b> { <b>md5</b>   <b>sha1</b>   <b>sha256</b>   <b>sha384</b>   <b>sha512</b> }  <b>Example:</b> <pre>Device(ca-trustpoint)# hash sha384</pre>	(Optional) Specifies the hash function for the signature that the Cisco IOS XE client uses to sign its self-signed certificates. The Cisco IOS XE client uses the MD5 cryptographic hash function for self-signed certificates by default.  Any of the following command algorithm keyword options can be specified to over-ride the default setting for the trustpoint. This setting then becomes the default cryptographic hash algorithm function for self-signed certificates by default. <ul style="list-style-type: none"> <li><b>md5</b> —Specifies that MD5, the default hash function, is used. (No longer recommended).</li> <li><b>sha1</b> —Specifies that the SHA-1 hash function is used as the default hash algorithm for RSA keys. (No longer recommended).</li> <li><b>sha256</b> —Specifies that the SHA-256 hash function is used as the hash algorithm for Elliptic Curve (EC) 256 bit keys.</li> <li><b>sha384</b> —Specifies that the SHA-384 hash function is used as the hash algorithm for EC 384 bit keys.</li> <li><b>sha512</b> —Specifies that the SHA-512 hash function is used as the hash algorithm for EC 512 bit keys.</li> </ul>
<b>Step 6</b>	<b>exit</b>  <b>Example:</b> <pre>Device(ca-trustpoint)# exit</pre>	Exits ca-trustpoint configuration mode.
<b>Step 7</b>	<b>crypto pki server</b> <i>cs-label</i>  <b>Example:</b> <pre>Device(config)# crypto pki server sub</pre>	Enables a Cisco IOS XE certificate server and enters cs-server configuration mode.  <b>Note</b> The subordinate server must have the same name as the trustpoint that was created in Step 3 above.
<b>Step 8</b>	<b>issuer name</b> <i>DN-string</i>  <b>Example:</b> <pre>Device(cs-server)# issuer-name CN=sub CA, O=Cisco, C=us</pre>	(Optional) Specifies the DN as the CA issuer name for the certificate server.

	Command or Action	Purpose
<b>Step 9</b>	<b>mode sub-cs</b>  <b>Example:</b> Device(cs-server)# mode sub-cs	Places the PKI server into sub-certificate server mode. <ul style="list-style-type: none"> <li>• Sub CA and CA relationship is supported only when all the devices on the network are of Cisco IOS XE device type. Hence a Cisco IOS XE sub CA cannot enroll to a third party CA server.</li> </ul>
<b>Step 10</b>	<b>auto-rollover</b> [ <i>time-period</i> ]  <b>Example:</b> Device(cs-server)# auto-rollover 90	(Optional) Enables the automated CA certificate rollover functionality. <ul style="list-style-type: none"> <li>• <i>time-period</i> --default is 30 days.</li> </ul>
<b>Step 11</b>	<b>grant auto rollover</b> {ca-cert   ra-cert}  <b>Example:</b> Device(cs-server)# grant auto rollover ca-cert	(Optional) Automatically grants reenrollment requests for subordinate CAs and RA-mode CAs without operator intervention. <ul style="list-style-type: none"> <li>• <b>ca-cert</b> --Specifies that the subordinate CA rollover certificate is automatically granted.</li> <li>• <b>ra-cert</b> --Specifies that the RA-mode CA rollover certificate is automatically granted.</li> </ul> <p><b>Note</b> If this is the first time that a subordinate certificate server is enabled and enrolled, the certificate request must be manually granted.</p>
<b>Step 12</b>	<b>hash</b> {md5   sha1   sha256   sha384   sha512}  <b>Example:</b> Device(cs-server)# hash sha384	(Optional) Sets the hash function for the signature that the Cisco IOS XE certificate authority (CA) uses to sign all of the certificates issued by the server. <ul style="list-style-type: none"> <li>• <b>md5</b> —Specifies that MD5, the default hash function, is used. (No longer recommended).</li> <li>• <b>sha1</b> —Specifies that the SHA-1 hash function is used. (No longer recommended).</li> <li>• <b>sha256</b> —Specifies that the SHA-256 hash function is used.</li> <li>• <b>sha384</b> —Specifies that the SHA-384 hash function is used.</li> <li>• <b>sha512</b> —Specifies that the SHA-512 hash function is used.</li> </ul>
<b>Step 13</b>	<b>no shutdown</b>  <b>Example:</b> Device(cs-server)# no shutdown	Enables or reenables the certificate server.  If this is the first time that a subordinate certificate server is enabled, the certificate server generates the key and obtain its signing certificate from the root certificate server.

## Examples

If the certificate server fails to enable or if the certificate server has trouble handling the request that has been configured, you can use the **debug crypto pki server** command to troubleshoot your configuration as shown

in the following below (Clock Not Set and Trustpoint Not Configured). Here, "ms2" refers to the label of a 2048-bit RSA key pair.

```
Router# debug crypto pki server
```

### Clock Not Set

```
Router(config)# crypto pki server ms2
Router(cs-server)# mode sub-cs
Router(cs-server)# no shutdown
%Some server settings cannot be changed after CA certificate generation.
% Please enter a passphrase to protect the private key % or type Return to exit
Password:
*Jan 6 20:57:37.667: CRYPTO_CS: enter FSM: input state initial, input signal no shut
Re-enter password:
*Jan 6 20:57:45.303: CRYPTO_CS: starting enabling checks
*Jan 6 20:57:45.303: CRYPTO_CS: key 'sub' does not exist; generated automatically[OK]
% Time has not been set. Cannot start the Certificate server
```

### Trustpoint Not Configured

```
Router(config)# crypto pki server ms2
Router(cs-server)# mode sub-cs
Router(cs-server)# no shutdown
%Some server settings cannot be changed after CA certificate generation.
% Please enter a passphrase to protect the private key or type Return to exit
Password:
Jan 6 21:00:15.961: CRYPTO_CS: enter FSM: input state initial, input signal no shut.
Jan 6 21:03:34.309: CRYPTO_CS: enter FSM: input state initial, input signal time set.
Jan 6 21:03:34.313: CRYPTO_CS: exit FSM: new state initial.
Jan 6 21:03:34.313: CRYPTO_CS: cs config has been unlocked
Re-enter password:
Jan 6 21:03:44.413: CRYPTO_CS: starting enabling checks
Jan 6 21:03:44.413: CRYPTO_CS: associated trust point 'sub' does not exist; generated
automatically
Jan 6 21:03:44.417: CRYPTO_CS: key 'sub' does not exist; generated automatically[OK]
Jan 6 21:04:03.993: CRYPTO_CS: nvram filesystem
Jan 6 21:04:04.077: CRYPTO_CS: serial number 0x1 written.
You must specify an enrollment URL for this CA before you can authenticate it.
% Failed to authenticate the Certificate Authority
```

If the certificate server fails to obtain its signing certificate from the root certificate server, you can use the **debug crypto pki transactions** command to troubleshoot your configuration as shown in the following example:

```
Router# debug crypto pki transactions
Jan 6 21:07:00.311: CRYPTO_CS: enter FSM: input state initial, input signal time set
Jan 6 21:07:00.311: CRYPTO_CS: exit FSM: new state initial
Jan 6 21:07:00.311: CRYPTO_CS: cs config has been unlocked no sh
%Some server settings cannot be changed after CA certificate generation.
% Please enter a passphrase to protect the private key % or type Return to exit
Password:
Jan 6 21:07:03.535: CRYPTO_CS: enter FSM: input state initial, input signal no shut
Re-enter password:
Jan 6 21:07:10.619: CRYPTO_CS: starting enabling checks
Jan 6 21:07:10.619: CRYPTO_CS: key 'sub' does not exist; generated automatically[OK]
Jan 6 21:07:20.535: %SSH-5-ENABLED: SSH 1.99 has been enabled
Jan 6 21:07:25.883: CRYPTO_CS: nvram filesystem
Jan 6 21:07:25.991: CRYPTO_CS: serial number 0x1 written.
Jan 6 21:07:27.863: CRYPTO_CS: created a new serial file.
Jan 6 21:07:27.863: CRYPTO_CS: authenticating the CA 'sub'
Jan 6 21:07:27.867: CRYPTO_PKI: Sending CA Certificate Request:
GET /cgi-bin/pkiclient.exe?operation=GetCACert&message=sub HTTP/1.0
User-Agent: Mozilla/4.0 (compatible; MSIE 5.0; Cisco PKI)
Jan 6 21:07:27.867: CRYPTO_PKI: can not resolve server name/IP address
Jan 6 21:07:27.871: CRYPTO_PKI: Using unresolved IP Address 192.0.2.6 Certificate has the
following attributes:
```



```

Fingerprint MD5: 328ACC02 52B25DB8 22F8F104 B6055B5B
Fingerprint SHA1: 02FD799D DD40C7A8 61DC53AB 1E89A3EA 2A729EE2
% Do you accept this certificate? [yes/no]:
Jan 6 21:07:30.879: CRYPTO_PKI: http connection opened
Jan 6 21:07:30.903: CRYPTO_PKI: HTTP response header:
  HTTP/1.1 200 OK
Date: Thu, 06 Jan 2005 21:07:30 GMT
Server: server-IOS
Content-Type: application/x-x509-ca-cert
Expires: Thu, 06 Jan 2005 21:07:30 GMT
Last-Modified: Thu, 06 Jan 2005 21:07:30 GMT
Cache-Control: no-store, no-cache, must-revalidate
Pragma: no-cache
Accept-Ranges: none
Content-Type indicates we have received a CA certificate.
Jan 6 21:07:30.903: Received 507 bytes from server as CA certificate:
Jan 6 21:07:30.907: CRYPTO_PKI: transaction GetCACert completed
Jan 6 21:07:30.907: CRYPTO_PKI: CA certificate received.
Jan 6 21:07:30.907: CRYPTO_PKI: CA certificate received.
Jan 6 21:07:30.927: CRYPTO_PKI: crypto_pki_authenticate_tp_cert()
Jan 6 21:07:30.927: CRYPTO_PKI: trustpoint_sub authentication status = 0 y Trustpoint CA
certificate accepted.%
% Certificate request sent to Certificate Authority
% Enrollment in progress...
Router (cs-server)#
Jan 6 21:07:51.772: CRYPTO_CA: certificate not found
Jan 6 21:07:51.772: CRYPTO_CA: certificate not found
Jan 6 21:07:52.460: CRYPTO_CS: Publishing 213 bytes to crl file nvram:sub.crl
Jan 6 21:07:54.348: CRYPTO_CS: enrolling the server's trustpoint 'sub'
Jan 6 21:07:54.352: CRYPTO_CS: exit FSM: new state check failed
Jan 6 21:07:54.352: CRYPTO_CS: cs config has been locked
Jan 6 21:07:54.356: CRYPTO_PKI: transaction PKCSReq completed
Jan 6 21:07:54.356: CRYPTO_PKI: status:
Jan 6 21:07:55.016: CRYPTO_PKI: Certificate Request Fingerprint MD5: 1BA027DB 1C7860C7
EC188F65 64356C80
Jan 6 21:07:55.016: CRYPTO_PKI: Certificate Request Fingerprint SHA1: 840DB52C E17614CB
0C7BE187 0DFC884D D32CAA75
Jan 6 21:07:56.508: CRYPTO_PKI: can not resolve server name/IP address
Jan 6 21:07:56.508: CRYPTO_PKI: Using unresolved IP Address 192.0.2.6
Jan 6 21:07:56.516: CRYPTO_PKI: http connection opened
Jan 6 21:07:59.136: CRYPTO_PKI: received msg of 776 bytes
Jan 6 21:07:59.136: CRYPTO_PKI: HTTP response header:
  HTTP/1.1 200 OK
Date: Thu, 06 Jan 2005 21:07:57 GMT
Server: server-IOS
Content-Type: application/x-pki-message
Expires: Thu, 06 Jan 2005 21:07:57 GMT
Last-Modified: Thu, 06 Jan 2005 21:07:57 GMT
Cache-Control: no-store, no-cache, must-revalidate
Pragma: no-cache
Accept-Ranges: none
Jan 6 21:07:59.324: The PKCS #7 message has 1 verified signers.
Jan 6 21:07:59.324: signing cert: issuer=cn=root1
Jan 6 21:07:59.324: Signed Attributes:
Jan 6 21:07:59.328: CRYPTO_PKI: status = 102: certificate request pending
Jan 6 21:08:00.788: CRYPTO_PKI: can not resolve server name/IP address
Jan 6 21:08:00.788: CRYPTO_PKI: Using unresolved IP Address 192.0.2.6
Jan 6 21:08:00.796: CRYPTO_PKI: http connection opened
Jan 6 21:08:11.804: CRYPTO_PKI: received msg of 776 bytes
Jan 6 21:08:11.804: CRYPTO_PKI: HTTP response header: HTTP/1.1 200 OK
Date: Thu, 06 Jan 2005 21:08:01 GMT
Server: server-IOS
Content-Type: application/x-pki-message
Expires: Thu, 06 Jan 2005 21:08:01 GMT
Last-Modified: Thu, 06 Jan 2005 21:08:01 GMT
Cache-Control: no-store, no-cache, must-revalidate
Pragma: no-cache
Accept-Ranges: none
Jan 6 21:08:11.992: The PKCS #7 message has 1 verified signers.
Jan 6 21:08:11.992: signing cert: issuer=cn=root1
Jan 6 21:08:11.996: Signed Attributes:
Jan 6 21:08:11.996: CRYPTO_PKI: status = 102: certificate request pending
Jan 6 21:08:21.996: CRYPTO_PKI: All sockets are closed for trustpoint sub.

```

```

Jan 6 21:08:31.996: CRYPTO_PKI: All sockets are closed for trustpoint sub.
Jan 6 21:08:41.996: CRYPTO_PKI: All sockets are closed for trustpoint sub.
Jan 6 21:08:51.996: CRYPTO_PKI: All sockets are closed for trustpoint sub.
Jan 6 21:09:01.996: CRYPTO_PKI: All sockets are closed for trustpoint sub.
Jan 6 21:09:11.996: CRYPTO_PKI: resend GetCertInitial, 1
Jan 6 21:09:11.996: CRYPTO_PKI: All sockets are closed for trustpoint sub.
Jan 6 21:09:11.996: CRYPTO_PKI: resend GetCertInitial for session: 0
Jan 6 21:09:11.996: CRYPTO_PKI: can not resolve server name/IP address
Jan 6 21:09:11.996: CRYPTO_PKI: Using unresolved IP Address 192.0.2.6
Jan 6 21:09:12.024: CRYPTO_PKI: http connection opened% Exporting Certificate Server signing
certificate and keys...
Jan 6 21:09:14.784: CRYPTO_PKI: received msg of 1611 bytes
Jan 6 21:09:14.784: CRYPTO_PKI: HTTP response header:
HTTP/1.1 200 OK
Date: Thu, 06 Jan 2005 21:09:13 GMT
Server: server-IOS
Content-Type: application/x-pki-message
Expires: Thu, 06 Jan 2005 21:09:13 GMT
Last-Modified: Thu, 06 Jan 2005 21:09:13 GMT
Cache-Control: no-store, no-cache, must-revalidate
Pragma: no-cache
Accept-Ranges: none
Jan 6 21:09:14.972: The PKCS #7 message has 1 verified signers.
Jan 6 21:09:14.972: signing cert: issuer=cn=root1
Jan 6 21:09:14.972: Signed Attributes:
Jan 6 21:09:14.976: CRYPTO_PKI: status = 100: certificate is granted
Jan 6 21:09:15.668: The PKCS #7 message contains 1 certs and 0 crls.
Jan 6 21:09:15.688: Newly-issued Router Cert: issuer=cn=root serial=2
Jan 6 21:09:15.688: start date: 21:08:03 GMT Jan 6 2005
Jan 6 21:09:15.688: end date: 21:08:03 GMT Jan 6 2006
Jan 6 21:09:15.688: Router date: 21:09:15 GMT Jan 6 2005
Jan 6 21:09:15.692: Received router cert from CA
Jan 6 21:09:15.740: CRYPTO_CA: certificate not found
Jan 6 21:09:15.744: CRYPTO_PKI: All enrollment requests completed for trustpoint sub.
Jan 6 21:09:15.744: %PKI-6-CERTRET: Certificate received from Certificate Authority
Jan 6 21:09:15.744: CRYPTO_PKI: All enrollment requests completed for trustpoint sub.
Jan 6 21:09:15.744: CRYPTO_PKI: All enrollment requests completed for trustpoint sub.
Jan 6 21:09:15.748: CRYPTO_CS: enter FSM: input state check failed, input signal cert
configured
Jan 6 21:09:15.748: CRYPTO_CS: starting enabling checks
Jan 6 21:09:15.748: CRYPTO_CS: nvram filesystem
Jan 6 21:09:15.796: CRYPTO_CS: found existing serial file.
Jan 6 21:09:15.820: CRYPTO_CS: old router cert flag 0x4
Jan 6 21:09:15.820: CRYPTO_CS: new router cert flag 0x44
Jan 6 21:09:18.432: CRYPTO_CS: DB version 1
Jan 6 21:09:18.432: CRYPTO_CS: last issued serial number is 0x1
Jan 6 21:09:18.480: CRYPTO_CS: CRL file sub.crl exists.
Jan 6 21:09:18.480: CRYPTO_CS: Read 213 bytes from crl file sub.crl.
Jan 6 21:09:18.532: CRYPTO_CS: SCEP server started
Jan 6 21:09:18.532: CRYPTO_CS: exit FSM: new state enabled
Jan 6 21:09:18.536: CRYPTO_CS: cs config has been locked
Jan 6 21:09:18.536: CRYPTO_PKI: All enrollment requests completed for trustpoint sub.

```

If the certificate server fails to enable or if the certificate server has trouble handling the request that has been configured, you can use the **debug crypto pki server** command to troubleshoot the progress of an enrollment. This command can also be used to debug the root CA (turn it on at the root CA).

## Configuring a Certificate Server to Run in RA Mode

The Cisco IOS XE certificate server can act as an RA for a Cisco IOS XE CA or another third party CA. Read the details in Step 8 for more information about the **transparent** keyword option if a third-party CA is used.

## SUMMARY STEPS

1. **enable**
2. **configure terminal**
3. **crypto pki trustpoint** *name*
4. **enrollment url** *url*
5. **subject-name** *x.500-name*
6. **exit**
7. **crypto pki server** *cs-label*
8. **mode ra** [**transparent**]
9. **auto-rollover** [*time-period*]
10. **grant auto rollover** {**ca-cert** | **ra-cert**}
11. **no shutdown**
12. **no shutdown**

## DETAILED STEPS

	Command or Action	Purpose
Step 1	<b>enable</b>  <b>Example:</b> Device> enable	Enables privileged EXEC mode. <ul style="list-style-type: none"> <li>• Enter your password if prompted.</li> </ul>
Step 2	<b>configure terminal</b>  <b>Example:</b> Device# configure terminal	Enters global configuration mode.
Step 3	<b>crypto pki trustpoint</b> <i>name</i>  <b>Example:</b> Device(config)# crypto pki trustpoint ra-server	Declares the trustpoint that your RA mode certificate server should use and enters ca-trustpoint configuration mode.
Step 4	<b>enrollment url</b> <i>url</i>  <b>Example:</b> Device(ca-trustpoint)# enrollment url http://ca-server.company.com	Specifies the enrollment URL of the issuing CA certificate server (root certificate server).
Step 5	<b>subject-name</b> <i>x.500-name</i>  <b>Example:</b> Device(ca-trustpoint)# subject-name cn=ioscs RA	Specifies the subject name the RA uses.  <b>Note</b> Include “cn=ioscs RA” or “ou=ioscs RA” in the subject name so that the issuing CA certificate server can recognize the RA (see Step 7 below).

	Command or Action	Purpose
<b>Step 6</b>	<p><b>exit</b></p> <p><b>Example:</b> Device(ca-trustpoint)# exit</p>	Exits ca-trustpoint configuration mode.
<b>Step 7</b>	<p><b>crypto pki server</b> <i>cs-label</i></p> <p><b>Example:</b> Device(config)# crypto pki server ra-server</p>	<p>Enables a Cisco IOS XE certificate server and enters cs-server configuration mode.</p> <p><b>Note</b> The certificate server must have the same name as the trustpoint that was created in Step 3 above.</p>
<b>Step 8</b>	<p><b>mode ra</b> [<b>transparent</b>]</p> <p><b>Example:</b> Device(cs-server)# mode ra</p>	<p>Places the PKI server into RA certificate server mode.</p> <p>Use the <b>transparent</b> keyword to allow the CA server in RA mode to interoperate with more than one type of CA server. When the <b>transparent</b> keyword is used, the original PKCS#10 enrollment message is not re-signed and is forwarded unchanged. This enrollment message makes the IOS RA certificate server work with CA servers like the Microsoft CA server.</p>
<b>Step 9</b>	<p><b>auto-rollover</b> [<i>time-period</i>]</p> <p><b>Example:</b> Device(cs-server)# auto-rollover 90</p>	<p>(Optional) Enables the automatic CA certificate rollover functionality.</p> <ul style="list-style-type: none"> <li>• <i>time-period</i> --default is 30 days.</li> </ul>
<b>Step 10</b>	<p><b>grant auto rollover</b> {<b>ca-cert</b>   <b>ra-cert</b>}</p> <p><b>Example:</b> Device(cs-server)# grant auto rollover ra-cert</p>	<p>(Optional) Automatically grants reenrollment requests for subordinate CAs and RA-mode CAs without operator intervention.</p> <ul style="list-style-type: none"> <li>• <b>ca-cert</b> --Specifies that the subordinate CA rollover certificate is automatically granted.</li> <li>• <b>ra-cert</b> --Specifies that the RA-mode CA rollover certificate is automatically granted.</li> </ul> <p>If this is the first time that a subordinate certificate server is enabled and enrolled, the certificate request must be manually granted.</p>
<b>Step 11</b>	<p><b>no shutdown</b></p> <p><b>Example:</b> Device(cs-server)# no shutdown</p>	<p>Enables the certificate server.</p> <p><b>Note</b> After this command is issued, the RA automatically enrolls with the root certificate server. After the RA certificate has been successfully received, you must issue the <b>no shutdown</b> command again, which reenables the certificate server.</p>
<b>Step 12</b>	<p><b>no shutdown</b></p> <p><b>Example:</b> Device(cs-server)# no shutdown</p>	Reenables the certificate server.

## Configuring the Root Certificate Server to Delegate Enrollment Tasks to the RA Mode Certificate Server

Perform the following steps on the router that is running the issuing certificate server; that is, configure the root certificate server that is delegating enrollment tasks to the RA mode certificate server.



**Note** Granting enrollment requests for an RA is essentially the same process as granting enrollment requests for client devices--except that enrollment requests for an RA are displayed in the section "RA certificate requests" of the command output for the **crypto pki server info-requests** command.

### SUMMARY STEPS

1. **enable**
2. **crypto pki server** *cs-label* **info requests**
3. **crypto pki server** *cs-label* **grant** *req-id*
4. **configure terminal**
5. **crypto pki server** *cs-label*
6. **grant ra-auto**

### DETAILED STEPS

	Command or Action	Purpose
<b>Step 1</b>	<b>enable</b>  <b>Example:</b> Device> enable	Enables privileged EXEC mode.  <ul style="list-style-type: none"> <li>• Enter your password if prompted.</li> </ul>
<b>Step 2</b>	<b>crypto pki server</b> <i>cs-label</i> <b>info requests</b>  <b>Example:</b> Device# crypto pki server root-server info requests	Displays the outstanding RA certificate request.  <b>Note</b> This command is issued on the router that is running the issuing certificate server.
<b>Step 3</b>	<b>crypto pki server</b> <i>cs-label</i> <b>grant</b> <i>req-id</i>  <b>Example:</b> Device# crypto pki server root-server grant 9	Grants the pending RA certificate request.  <b>Note</b> Because the issuing certificate server delegates the enrollment request verification task to the RA, you must pay extra attention to the RA certificate request before granting it.
<b>Step 4</b>	<b>configure terminal</b>  <b>Example:</b> Device# configure terminal	Enters global configuration mode.

	Command or Action	Purpose
<b>Step 5</b>	<b>crypto pki server</b> <i>cs-label</i>  <b>Example:</b> Device(config)# crypto pki server root-server	Enables a Cisco IOS XE certificate server and enters cs-server configuration mode.
<b>Step 6</b>	<b>grant ra-auto</b>  <b>Example:</b> Device(cs-server)# grant ra-auto	(Optional) Specifies that all enrollment requests from an RA are to be granted automatically.  <b>Note</b> For the <b>grant ra-auto</b> command to work, you have to include “cn=ioscs RA” or “ou=ioscs RA” in the subject name of the RA certificate. (See Step 2 above.)

## What to Do Next

After you have configured a certificate server, you can use the preconfigured default values or specify values through the CLI for the functionality of the certificate server. If you choose to specify values other than the defaults, see the following section, “*Configuring Certificate Server Functionality*.”

## Configuring Certificate Server Functionality

After you have enabled a certificate server and are in certificate server configuration mode, use any of the steps in this task to configure basic certificate server functionality values other than the default values.

### Certificate Server Default Values and Recommended Values

The default values for a certificate server are intended to address a relatively small network (of about ten devices). For example, the database settings are minimal (through the **database level minimal** command) and the certificate server handles all CRL requests through SCEP. For larger networks, it is recommended that you use either the database setting “names” or “complete” (as described in the **database level** command) for possible audit and revocation purposes. Depending on the CRL checking policy, you should also use an external CDP in a larger network.

### Certificate Server File Storage and Publication Locations

You have the flexibility to store file types to different storage and publication locations.

## SUMMARY STEPS

1. `database url root-url`
2. `database url {cnm | crl | crt | p12 | pem | ser} root-url`
3. `database url {cnm | crl | crt} publish root-url`
4. `database level {minimal | names | complete}`
5. `database username username [password [encr-type] password]`
6. `database archive {pkcs12 | pem}[password encr-type] password ]`
7. `issuer-name DN-string`
8. `lifetime {ca-certificate | certificate} time`
9. `lifetime crl time`
10. `lifetime enrollment-request time`
11. `cdp-url url`
12. `no shutdown`

## DETAILED STEPS

	Command or Action	Purpose
Step 1	<code>database url root-url</code>  <b>Example:</b> Device(cs-server)# database url tftp://cert-svr-db.company.com	Specifies the primary location where database entries for the certificate server are written.  If this command is not specified, all database entries are written to NVRAM.
Step 2	<code>database url {cnm   crl   crt   p12   pem   ser} root-url</code>  <b>Example:</b> Device(cs-server)# database url ser nvram:	Specifies certificate server critical file storage location by file type.  <b>Note</b> If this command is not specified, all critical files are stored to the primary location if specified. If the primary location is not specified, all critical files are stored to NVRAM.
Step 3	<code>database url {cnm   crl   crt} publish root-url</code>  <b>Example:</b> Device(cs-server)# database url crl publish tftp://csdb_specific_crl_files.company.com	Specifies certificate server publish location by file type.  <b>Note</b> If this command is not specified, all publish files are stored to the primary location if specified. If the primary location is not specified, all publish files are stored to NVRAM.
Step 4	<code>database level {minimal   names   complete}</code>  <b>Example:</b> Device(cs-server)# database level complete	Controls what type of data is stored in the certificate enrollment database. <ul style="list-style-type: none"> <li>• <b>minimal</b> --Enough information is stored only to continue issuing new certificates without conflict; the default value.</li> <li>• <b>names</b> --In addition to the information given in the minimal level, the serial number and subject name of each certificate.</li> <li>• <b>complete</b> --In addition to the information given in the minimal and names levels, each issued certificate is written to the database.</li> </ul>

	Command or Action	Purpose
		<b>Note</b> The <b>complete</b> keyword produces a large amount of information; if it is issued, you should also specify an external TFTP server in which to store the data through the <b>database url</b> command.
<b>Step 5</b>	<b>database username</b> <i>username</i> [ <b>password</b> <i>[encr-type] password</i> ]  <b>Example:</b> Device(cs-server)# database username user password PASSWORD	(Optional) Sets a username and password when a user is required to access a primary certificate enrollment database storage location.
<b>Step 6</b>	<b>database archive</b> { <b>pkcs12</b>   <b>pem</b> }[ <b>password</b> <i>encr-type] password</i> ]  <b>Example:</b> Device(cs-server)# database archive pem	(Optional) Sets the CA key and CA certificate archive format and password to encrypt the file.  The default value is <b>pkcs12</b> , so if this subcommand is not configured, autoarchiving continues, and the PKCS12 format is used.  <ul style="list-style-type: none"> <li>The password is optional. If it is not configured, you are prompted for the password when the server is turned on for the first time.</li> </ul> <b>Note</b> It is recommended that you remove the password from the configuration after the archive is finished.
<b>Step 7</b>	<b>issuer-name</b> <i>DN-string</i>  <b>Example:</b> Device(cs-server)# issuer-name my-server	(Optional) Sets the CA issuer name to the specified distinguished name ( <i>DN-string</i> ). The default value is as follows: <b>issuer-name cn={cs-label}</b> .
<b>Step 8</b>	<b>lifetime</b> { <b>ca-certificate</b>   <b>certificate</b> } <i>time</i>  <b>Example:</b> Device(cs-server)# lifetime certificate 888	(Optional) Specifies the lifetime, in days, of a CA certificate or a certificate.  Valid values range from 1 day to 1825 days. The default CA certificate lifetime is 3 years; the default certificate lifetime is 1 year. The maximum certificate lifetime is 1 month less than the lifetime of the CA certificate.
<b>Step 9</b>	<b>lifetime crl</b> <i>time</i>  <b>Example:</b> Device(cs-server)# lifetime crl 333	(Optional) Defines the lifetime, in hours, of the CRL that is used by the certificate server.  Maximum lifetime value is 336 hours (2 weeks). The default value is 168 hours (1 week).
<b>Step 10</b>	<b>lifetime enrollment-request</b> <i>time</i>  <b>Example:</b> Device(cs-server)# lifetime enrollment-request 888	(Optional) Specifies how long an enrollment request should stay in the enrollment database before being removed.  Maximum lifetime is 1000 hours.
<b>Step 11</b>	<b>cdp-url</b> <i>url</i>  <b>Example:</b> Device(cs-server)# cdp-url http://my-cdp.company.com	(Optional) Defines the CDP location to be used in the certificates that are issued by the certificate server.  <ul style="list-style-type: none"> <li>The URL must be an HTTP URL.</li> </ul>



	Command or Action	Purpose
		<p>If you have PKI clients that are not running Cisco IOS software and that do not support a SCEP GetCRL request, use the following URL format:</p> <pre>http://server.company.com/certEnroll/filename.crl</pre> <p>Or, if your Cisco IOS certificate server is also configured as your CDP, use the following URL format</p> <pre>http://cs-addr/cgi-bin/pkiclient.exe?operation=GetCRL</pre> <p>where <i>cs-addr</i> is the location of the certificate server.</p> <p>In order to force the parser to retain the embedded question mark within the specified location, enter Ctrl-v prior to the question mark. If this action is not taken, CRL retrieval through HTTP returns an error message.</p> <p><b>Note</b> Although this command is optional, it is strongly recommended for any deployment scenario.</p>
<b>Step 12</b>	<p><b>no shutdown</b></p> <p><b>Example:</b> Device(cs-server)# no shutdown</p>	<p>Enables the certificate server.</p> <p>You should issue this command only after you have completely configured your certificate server.</p>

### Examples

The following example shows how to configure a CDP location where the PKI clients do not support SCEP GetCRL requests:

```
Device(config)# crypto pki server aaa
Device(cs-server)# database level minimum
Device(cs-server)# database url tftp://10.1.1.1/username1/
Device(cs-server)# issuer-name CN=aaa
Device(cs-server)# cdp-url http://server.company.com/certEnroll/aaa.crl
```

After a certificate server has been enabled on a router, the **show crypto pki server** command displays the following output:

```
Device# show crypto pki server

Certificate Server status:enabled, configured
Granting mode is:manual
Last certificate issued serial number:0x1
CA certificate expiration timer:19:31:15 PST Nov 17 2006
CRL NextUpdate timer:19:31:15 PST Nov 25 2003
Current storage dir:nvram:
Database Level:Minimum - no cert data written to storage
```

## Working with Automatic CA Certificate Rollover

### Starting Automated CA Certificate Rollover Immediately

Use this task to initiate the automated CA certificate rollover process immediately on your root CA server.

#### SUMMARY STEPS

1. `enable`
2. `configure terminal`
3. `crypto pki server cs-label rollover [cancel]`

#### DETAILED STEPS

	Command or Action	Purpose
Step 1	<code>enable</code>  <b>Example:</b> Device> <code>enable</code>	Enables privileged EXEC mode.  <ul style="list-style-type: none"> <li>• Enter your password if prompted.</li> </ul>
Step 2	<code>configure terminal</code>  <b>Example:</b> Device# <code>configure terminal</code>	Enters global configuration mode.
Step 3	<code>crypto pki server <i>cs-label</i> rollover [cancel]</code>  <b>Example:</b> Device(config)# <code>crypto pki server mycs rollover</code>	Immediately starts the CA certificate rollover process by generating a shadow CA certificate.  To delete the CA certificate rollover certificate and keys, use the <b>cancel</b> keyword.

### Requesting a Certificate Server Client Rollover Certificate

Use this task to request a certificate server client's rollover certificate.

#### SUMMARY STEPS

1. `enable`
2. `configure terminal`
3. `crypto pki server cs-label rollover request pkcs10 terminal`

## DETAILED STEPS

	Command or Action	Purpose
Step 1	<b>enable</b>  <b>Example:</b> Device> enable	Enables privileged EXEC mode. <ul style="list-style-type: none"> <li>• Enter your password if prompted.</li> </ul>
Step 2	<b>configure terminal</b>  <b>Example:</b> Device# configure terminal	Enters global configuration mode.
Step 3	<b>crypto pki server <i>cs-label</i> rollover request pkcs10 terminal</b>  <b>Example:</b> Device(config)# crypto pki server mycs rollover request pkcs10 terminal	Requests a client rollover certificate from the server.

**Example**

The following example shows a rollover certificate request being inputted into the server:

```
Device# crypto pki server mycs rollover request pkcs10 terminal

% Enter Base64 encoded or PEM formatted PKCS10 enrollment request.
% End with a blank line or "quit" on a line by itself.
-----BEGIN CERTIFICATE REQUEST-----
MIIBUTCBuwIBADASMRawDgYDVQQDEwd0ZXdsb290MIGfMA0GCSqGSIb3DQEBAQUA
A4GNADCBiQKBgQDMHeev1ERSs320zbLQqk+3lhV/R2HpYQ/im6uT1jkJf5iy0UPR
wF/X16yUNmG+ObiGiW9fsASF0nxZw+fO7d2X2yh1PakfvF2wbP27C/sgJNOw9uPf
sBxEc40Xe0d5FMh0YKOSASHfZYKOflnyQR2Drmm2x/33QGol5QyRvjkeWQIDAQAB
oAAwDQYJKoZIhvcNAQEBBQADgYEALM90r4d79X6vxhD0qjuYJXfBCovv4FNyFsjr
aBS/y6CnNVYySF8UBUohXYIGTWf4I4+sJ6i8gYfoFUW1/L82djS18TLrUr6wpCOs
RqfAfps7HW1e4cizOfjAUU+C71NcobCAhwF1o6q2nIEjPQ/2yfK9O7sb3SCJZBfe
eW3tyCo=
-----END CERTIFICATE REQUEST-----
```

**Exporting a CA Rollover Certificate**

Use this task to export a CA rollover certificate.

## SUMMARY STEPS

1. **enable**
2. **configure terminal**
3. **crypto pki export *trustpoint* pem {terminal | url *url*} [rollover]**

## DETAILED STEPS

	Command or Action	Purpose
Step 1	<b>enable</b>  <b>Example:</b> Device> enable	Enables privileged EXEC mode.  • Enter your password if prompted.
Step 2	<b>configure terminal</b>  <b>Example:</b> Device# configure terminal	Enters global configuration mode.
Step 3	<b>crypto pki export trustpoint pem {terminal   url url} [rollover]</b>  <b>Example:</b> Device(config)# crypto pki export mycs pem terminal rollover	Exports a CA shadow certificate.

## Maintaining Verifying and Troubleshooting the Certificate Server Certificates and the CA

### Managing the Enrollment Request Database

SCEP supports two client authentication mechanisms—manual and preshared key. Manual enrollment requires the administrator at the CA server to specifically authorize the enrollment requests; enrollment using preshared keys allows the administrator to preauthorize enrollment requests by generating a one-time password (OTP).

Use any of the optional steps within this task to help manage the enrollment request database by performing functions such as specifying enrollment processing parameters that are to be used by SCEP and by controlling the run-time behavior or the certificate server.

## SUMMARY STEPS

1. **enable**
2. **crypto pki server cs-label grant {all | req-id}**
3. **crypto pki server cs-label reject {all | req-id}**
4. **crypto pki server cs-label password generate minutes**
5. **crypto pki server cs-label revoke certificate-serial-number**
6. **crypto pki server cs-label request pkcs10 {url | terminal} [base64] pem**
7. **show crypto pki server cs-label crl**
8. **show crypto pki server cs-label requests**

## DETAILED STEPS

	Command or Action	Purpose
Step 1	<b>enable</b>  <b>Example:</b> Device> enable	Enables privileged EXEC mode. <ul style="list-style-type: none"> <li>• Enter your password if prompted.</li> </ul>
Step 2	<b>crypto pki server <i>cs-label</i> grant {all   <i>req-id</i>}</b>  <b>Example:</b> Device# crypto pki server mycs grant all	Grants all or specific SCEP requests.
Step 3	<b>crypto pki server <i>cs-label</i> reject {all   <i>req-id</i>}</b>  <b>Example:</b> Device# crypto pki server mycs reject all	Rejects all or specific SCEP requests.
Step 4	<b>crypto pki server <i>cs-label</i> password generate <i>minutes</i></b>  <b>Example:</b> Device# crypto pki server mycs password generate 75	Generates a OTP for SCEP requests. <ul style="list-style-type: none"> <li>• <i>minutes</i> --Length of time, in minutes, that the password is valid. Valid values range from 1 to 1440 minutes. The default is 60 minutes.</li> </ul> <b>Note</b> Only one OTP is valid at a time; if a second OTP is generated, the previous OTP is no longer valid.
Step 5	<b>crypto pki server <i>cs-label</i> revoke <i>certificate-serial-number</i></b>  <b>Example:</b> Device# crypto pki server mycs revoke 3	Revokes a certificate on the basis of its serial number. <ul style="list-style-type: none"> <li>• <i>certificate-serial-number</i> --One of the following options:               <ul style="list-style-type: none"> <li>• A string with a leading 0x, which is treated as a hexadecimal value</li> <li>• A string with a leading 0 and no x, which is treated as octal</li> <li>• All other strings, which are treated as decimal</li> </ul> </li> </ul>
Step 6	<b>crypto pki server <i>cs-label</i> request pkcs10 {<i>url</i>   <i>terminal</i>} [<i>base64</i>] <i>pem</i></b>  <b>Example:</b> Device# crypto pki server mycs request pkcs10 terminal pem	Manually adds either a base64-encoded or PEM-formatted PKCS10 certificate enrollment request to the request database.  After the certificate is granted, it is displayed on the console terminal using base64 encoding. <ul style="list-style-type: none"> <li>• <i>pem</i> --Specifies the certificate that is returned with PEM headers automatically added to the certificate after the certificate is granted, regardless of whether PEM headers were used in the request.</li> </ul>

	Command or Action	Purpose
		<ul style="list-style-type: none"> <li>• <b>base64</b> --Specifies the certificate that is returned without privacy-enhanced mail (PEM) headers, regardless of whether PEM headers were used in the request.</li> </ul>
<b>Step 7</b>	<b>show crypto pki server <i>cs-label</i> <b>crl</b></b>  <b>Example:</b> Device# show crypto pki server mycs crl	Displays information regarding the status of the current CRL.
<b>Step 8</b>	<b>show crypto pki server <i>cs-label</i> <b>requests</b></b>  <b>Example:</b> Device# show crypto pki server mycs requests	Displays all outstanding certificate enrollment requests.

## Removing Requests from the Enrollment Request Database

After the certificate server receives an enrollment request, the server can leave the request in a pending state, reject it, or grant it. The request stays in the enrollment request database for 1 week until the client polls the certificate server for the result of the request. If the client exits and never polls the certificate server, you can remove either individual requests or all requests from the database.

Use this task to remove requests from the database and allow the server to be returned to a clean slate with respect to the keys and transaction IDs. Also, you can use this task to help troubleshoot a SCEP client that may not be behaving properly.

### SUMMARY STEPS

1. **enable**
2. **crypto pki server *cs-label* **remove** {**all** | *req-id*}**

### DETAILED STEPS

	Command or Action	Purpose
<b>Step 1</b>	<b>enable</b>  <b>Example:</b> Device> enable	Enables privileged EXEC mode. <ul style="list-style-type: none"> <li>• Enter your password if prompted.</li> </ul>
<b>Step 2</b>	<b>crypto pki server <i>cs-label</i> <b>remove</b> {<b>all</b>   <i>req-id</i>}</b>  <b>Example:</b> Device# crypto pki server mycs remove 15	Removes enrollment requests from the enrollment request database.

## Deleting a Certificate Server

Users can delete a certificate server from the PKI configuration if they no longer want it on the configuration. Typically, a subordinate certificate server or an RA is being deleted. However, users may delete a root certificate server if they are moving it to another device through the archived RSA keys.

Perform this task to delete a certificate server from your PKI configuration.



### Note

When a certificate server is deleted, the associated trustpoint and key are also deleted.

### SUMMARY STEPS

1. **enable**
2. **configure terminal**
3. **no crypto pki server** *cs-label*

### DETAILED STEPS

	Command or Action	Purpose
<b>Step 1</b>	<b>enable</b>  <b>Example:</b> Device> enable	Enables privileged EXEC mode. <ul style="list-style-type: none"> <li>• Enter your password if prompted.</li> </ul>
<b>Step 2</b>	<b>configure terminal</b>  <b>Example:</b> Device# configure terminal	Enters global configuration mode.
<b>Step 3</b>	<b>no crypto pki server</b> <i>cs-label</i>  <b>Example:</b> Device(config)# no crypto pki server mycs	Deletes a certificate server and associated trustpoint and key.

## Verifying and Troubleshooting Certificate Server and CA Status

Use any of the following optional steps to verify the status of the certificate server or the CA.

**SUMMARY STEPS**

1. **enable**
2. **debug crypto pki server**
3. **dir filesystem :**

**DETAILED STEPS**

	<b>Command or Action</b>	<b>Purpose</b>
<b>Step 1</b>	<b>enable</b>  <b>Example:</b> Device> enable	Enables privileged EXEC mode. <ul style="list-style-type: none"> <li>• Enter your password if prompted.</li> </ul>
<b>Step 2</b>	<b>debug crypto pki server</b>  <b>Example:</b> Device# debug crypto pki server	Enables debugging for a crypto PKI certificate server. <ul style="list-style-type: none"> <li>• This command can be used for monitoring the progress of an enrollment and for troubleshooting if the certificate server fails to respond or if the certificate server has trouble handling the request that has been configured.</li> </ul>
<b>Step 3</b>	<b>dir filesystem :</b>  <b>Example:</b> Device# dir slot0:	Displays a list of files on a file system. <ul style="list-style-type: none"> <li>• This command can be used to verify the certificate server autoarchived file if the <b>database url</b> command was entered to point to a local file system. You should be able to at least see “<i>cs-label .ser</i>” and “<i>cs-label .crl</i>” files in the database.</li> </ul>

**Verifying CA Certificate Information**

To obtain information relating to the CA certificates including the certificate server rollover process, rollover certificates, and timers, you may use any of the following commands.

**Note**

These commands are not exclusive to shadow certificate information. If no shadow certificate exists, the following commands display the active certificate information.

**SUMMARY STEPS**

1. **crypto pki certificate chain**
2. **crypto pki server info requests**
3. **show crypto pki certificates**
4. **show crypto pki server**
5. **show crypto pki trustpoints**



## DETAILED STEPS

### Step 1 `crypto pki certificate chain`

**Example:**

```
Device(config)# crypto pki certificate chain mica

certificate 06
certificate ca 01
! This is the peer's shadow PKI certificate.
certificate rollover 0B
! This is the CA shadow PKI certificate
certificate rollover ca 0A
```

Displays the certificate chain details and to distinguish the current active certificate from the rollover certificate in the certificate chain. The following example shows a certificate chain with an active CA certificate and a shadow, or rollover, certificate:

### Step 2 `crypto pki server info requests`

**Example:**

```
Device# crypto pki server myca info requests

Enrollment Request Database:
RA certificate requests:
  ReqID  State      Fingerprint                               SubjectName
-----
RA rollover certificate requests:
  ReqID  State      Fingerprint                               SubjectName
-----
Router certificates requests:
  ReqID  State      Fingerprint                               SubjectName
-----
1      pending   A426AF07FE3A4BB69062E0E47198E5BF hostname=client
Router rollover certificates requests:
  ReqID  State      Fingerprint                               SubjectName
-----
2      pending   B69062E0E47198E5BFA426AF07FE3A4B hostname=client
```

Displays all outstanding certificate enrollment requests. The following example shows the output for shadow PKI certificate information requests:

### Step 3 `show crypto pki certificates`

**Example:**

```
Device# show crypto pki certificates

Certificate
  Subject Name
    Name: myrouter.example.com
    IP Address: 192.0.2.1
    Serial Number: 04806682
  Status: Pending
  Key Usage: General Purpose
    Fingerprint: 428125BD A3419600 3F6C7831 6CD8FA95 00000000
CA Certificate
  Status: Available
  Certificate Serial Number: 3051DF7123BEE31B8341DFE4B3A338E5F
  Key Usage: Not Set
```

Displays information about the certificate, the certification authority certificate, shadow certificates, and any registration authority certificates. The following example displays the certificate of the router and the certificate of the CA. There is no shadow certificate available. A single, general-purpose RSA key pair was previously generated, and a certificate was

requested but not received for that key pair. Note that the certificate status of the router shows “Pending.” After the router receives its certificate from the CA, the Status field changes to “Available” in the **show** output.

#### Step 4 **show crypto pki server**

##### Example:

```
Device# show crypto pki server
```

```
Certificate Server routers:
  Status: enabled, configured
  Issuer name: CN=walnutcs
  CA cert fingerprint: 800F5944 74337E5B C2DF6C52 9A7B1BDB
  Granting mode is: auto
  Last certificate issued serial number: 0x7
  CA certificate expiration timer: 22:10:29 GMT Jan 29 2007
  CRL NextUpdate timer: 21:50:56 GMT Mar 5 2004
  Current storage dir: nvram
  Database Level: Minimum - no cert data written to storage
  Rollover status: available for rollover
  Rollover CA cert fingerprint: 6AAF5944 74227A5B 23DF3E52 9A7F1FEF
  Rollover CA certificate expiration timer: 22:10:29 GMT Jan 29 2017
```

Displays the current state and configuration of the certificate server. The following example shows that the certificate server “routers” has rollover configured. The CA auto-rollover time has occurred and the rollover, or shadow, PKI certificate is available. The status shows the rollover certificate fingerprint and rollover CA certificate expiration timer information.

#### Step 5 **show crypto pki trustpoints**

##### Example:

```
Device# show crypto pki trustpoints
```

```
Trustpoint vpn:
  Subject Name:
  cn=Cisco SSL CA
  o=Cisco Systems
  Serial Number: 0FFEBC1B6F6D9D0EA7875875E4C695
  Certificate configured.
  Rollover certificate configured.
  Enrollment Protocol:
  SCEPv1, PKI Rollover
```

Displays the trustpoints that are configured in the device. The following output shows that a shadow CA certificate is available and shows the SCEP capabilities reported during the last enrollment operation:

## Configuration Examples for Using a Certificate Server

### Example: Configuring Specific Storage and Publication Locations

The following example shows the configuration of a minimal local file system, so that the certificate server can respond quickly to certificate requests. The .ser and .crl files are stored on the local Cisco IOS XE system for fast access, and a copy of all of the .crt files are published to a remote location for long-term logging.

```
crypto pki server myserver
```

```

!Pick your database level.
database level minimum
!Specify a location for the .crl files that is different than the default local
!Cisco IOS file system.
database url crt publish http://url username user1 password secret

```

**Note**

Free space on the local file system should be monitored, in case the .crl file becomes too large.

The following example shows the configuration of a primary storage location for critical files, a specific storage location for the critical file serial number file, the main certificate server database file, and a password protected file publication location for the CRL file:

```

Device(config)# crypto pki server mycs
Device(cs-server)# database url ftp://cs-db.company.com

!
% Server database url was changed. You need to move the
% existing database to the new location.
!
Device(cs-server)# database url ser nvram:
Device(cs-server)# database url crt publish ftp://crl.company.com username myname password
mypassword
Device(cs-server)# end

```

The following output displays the specified primary storage location and critical file storage locations specified:

```

Device# show

Sep  3 20:19:34.216: %SYS-5-CONFIG_I: Configured from console by user on console
Device# show crypto pki server

Certificate Server mycs:
  Status: disabled
  Server's configuration is unlocked (enter "no shut" to lock it)
  Issuer name: CN=mycs
  CA cert fingerprint: -Not found-
  Granting mode is: manual
  Last certificate issued serial number: 0x0
  CA certificate expiration timer: 00:00:00 GMT Jan 1 1970
  CRL not present.
  Current primary storage dir: ftp://cs-db.company.com
  Current storage dir for .ser files: nvram:
  Database Level: Minimum - no cert data written to storage
The following output displays
all storage and publication locations. The serial number file (.ser) is stored in NVRAM.
The CRL file will be published to ftp://crl.company.com with a username and password. All
other critical files will be stored to the primary location, ftp://cs-db.company.com.

Device# show running-config

section crypto pki server
crypto pki server mycs shutdown database url ftp://cs-db.company.com
database url crt publish ftp://crl.company.com username myname password 7
12141C0713181F13253920
database url ser nvram:
Device#

```

## Example: Removing Enrollment Requests from the Enrollment Request Database

The following examples show both the enrollment requests that are currently in the enrollment request database and the result after one of the enrollment requests has been removed from the database.

**Example: Enrollment Request Currently in the Enrollment Request Database**

The following example shows that the `crypto pki server info requests` command has been used to display the enrollment requests that are currently in the Enrollment Request Database:

```
Device# crypto pki server myserver info requests

Enrollment Request Database:
RA certificate requests:
ReqID   State   Fingerprint                               SubjectName
-----
Router certificates requests:
ReqID   State   Fingerprint                               SubjectName
-----
2       pending 1B07F3021DAAB0F19F35DA25D01D8567       hostname=host1.company.com
1       denied  5322459D2DC70B3F8EF3D03A795CF636       hostname=host2.company.com
```

**Example: crypto pki server remove Command Used to Remove One Enrollment Request**

The following example shows that the `crypto pki server remove` command has been used to remove Enrollment Request 1:

```
Device# crypto pki server myserver remove 1
```

**Example: Enrollment Request Database After the Removal of One Enrollment Request**

The following example shows the result of the removal of Enrollment Request 1 from the Enrollment Request Database:

```
Device# crypto pki server mycs info requests

Enrollment Request Database:
RA certificate requests:
ReqID   State   Fingerprint                               SubjectName
-----
Router certificates requests:
ReqID   State   Fingerprint                               SubjectName
-----
2       pending 1B07F3021DAAB0F19F35DA25D01D8567       hostname=host1.company.com
```

## Example: Autoarchiving the Certificate Server Root Keys

The following output configurations and examples show what you might see if the `database archive` command has not been configured (that is, configured using the default value); if the `database archive` command has been configured to set the CA certificate and CA key archive format as PEM, without configuring a password; and if the `database archive` command has been configured to set the CA certificate and CA key archive format as PKCS12, with a password configured. The last example is sample content of a PEM-formatted archive file. The following example, “ms2” refers to the label of a 2048-bit key pair.

**Example: database archive Command Not Configured****Note**

The default is PKCS12, and the prompt for the password appears after the `no shutdown` command has been issued.

```
Device(config)# crypto pki server ms2
Device(cs-server)# no shutdown
```

```

% Ready to generate the CA certificate.
%Some server settings cannot be changed after CA certificate generation.
Are you sure you want to do this? [yes/no]: y
% Exporting Certificate Server signing certificate and keys...
! Note the next two lines, which are asking for a password.
% Please enter a passphrase to protect the private key.
Password:
% Certificate Server enabled.
Device(cs-server)# end
Device# dir nvram:

Directory of nvram:/
 125 -rw-          1693      <no date>  startup-config
 126 ----           5      <no date>  private-config
   1 -rw-           32      <no date>  myserver.ser
   2 -rw-          214      <no date>  myserver.crl
! Note the next line, which indicates PKCS12 format.
   3 -rw-          1499      <no date>  myserver.p12

```

### Example" database archive Command and pem Keyword Configured



**Note** The prompt for the password appears after the **no shutdown** command has been issued.

```

Device(config)# crypto pki server ms2
Device(cs-server)# database archive pem
Device(cs-server)# no shutdown

% Ready to generate the CA certificate.
%Some server settings cannot be changed after CA certificate generation.
Are you sure you want to do this? [yes/no]: y
% Exporting Certificate Server signing certificate and keys...
!Note the next two lines, which are asking for a password.
% Please enter a passphrase to protect the private key.
Password:
% Certificate Server enabled.
Device(cs-server)# end
Device# dir nvram

Directory of nvram:/
 125 -rw-          1693      <no date>  startup-config
 126 ----           5      <no date>  private-config
   1 -rw-           32      <no date>  myserver.ser
   2 -rw-          214      <no date>  myserver.crl
! Note the next line showing that the format is PEM.
   3 -rw-          1705      <no date>  myserver.pem

```

### Example: database archive Command and pkcs12 Keyword (and Password) Configured



**Note** When the password is entered, it is encrypted. However, it is recommended that you remove the password from the configuration after the archive has finished.

```

Device(config)# crypto pki server ms2
Device(cs-server)# database archive pkcs12 password cisco123
Device(cs-server)# no shutdown

% Ready to generate the CA certificate.
% Some server settings cannot be changed after CA certificate generation.
Are you sure you want to do this? [yes/no]: y
% Exporting Certificate Server signing certificate and keys...
! Note that you are not being prompted for a password.
% Certificate Server enabled.

```

**Example: Autoarchiving the Certificate Server Root Keys**

```

Device(cs-server)# end
Device# dir nvram:

Directory of nvram:/
 125  -rw-          1693          <no date>  startup-config
 126  ----          5          <no date>  private-config
 1    -rw-          32          <no date>  myserver.ser
 2    -rw-          214          <no date>  myserver.crl
! Note that the next line indicates that the format is PKCS12.
 3    -rw-          1499          <no date>  myserver.p12

```

**Example: PEM-Formatted Archive**

The following sample output shows that autoarchiving has been configured in PEM file format. The archive consists of the CA certificate and the CA private key. To restore the certificate server using the backup, you would have to import the PEM-formatted CA certificate and CA key individually.

**Note**

In addition to the CA certificate and CA key archive files, you should also back up the serial file (.ser) and the CRL file (.crl) regularly. The serial file and the CRL file are both critical for CA operation if you need to restore your certificate server.

```

Device# more nvram:mycs.pem

-----BEGIN CERTIFICATE-----
MIIB9zCCAWCgAwIBAgIBATANBgkqhkiG9w0BAQQFADAPMQ0wCwYDVQQDEWRteWNz
MB4XDTA0MDgyNzAyMzI0NloXDTA3MDgyNzAyMzI0NlowDzENMAsGA1UEAxMEbXl1
czCBnzANBgkqhkiG9w0BAQEFAAOBjQAwYkCgYEA11ZpKP4nGDJHgPkpYSkix71D
nr23aM1Z9Kz5oo/qTBxeZ8mujpjYcZ0T8AZvoOiCuDnYmL796ZwpkMgjz1aZzB+
BtuVv1lsEOfhc+u/O1/vxfGG5xpshoz/F5J3xdg5ZzuWWuIDAUYu9+QbI5feuG04
Z/BiPIb4AmGTP4B2MM0CAwEAAANjMGEwDwYDVR0TAQH/BAUwAwEB/zAOBgNVHQ8B
Af8EBAMCAYYwHwYDVR0jBBGwFoAUKi/cuK6wkz+ZswVtb06vUJboEeEwHQYDVR0O
BBYEFov3LlusJM/mbMFbW9Or1CW6BHHMA0GCSqGSIb3DQEBAUAA4GBAKLomoE2
4+NeOKEXMCXG1jcohK702HrkfFl/vpK0+q92FTnMUfHxLoQI8pWIq5CCGc7heace
OrTv2zcUAoH4rzx3Rc2USIxxDokWWQMLujSmm/SLieHit0G5uj//GCcbgK20MAW6
ymf7+Tmb1SFljWzstoUXC2hLnsJIMq/KffaD
-----END CERTIFICATE-----

!The private key is protected by the password that is
configured in "database archive pem password pwd" or that
is entered when you are prompted for the password.
-----BEGIN RSA PRIVATE KEY-----
Proc-Type: 4, ENCRYPTED
DEK-Info: DES-EDE3-CBC,106CE91FFD0A075E

zyiFC8rKv8Cs+IKsQG2QpsVpvDBHqZqBsm4D528bvZv7jzr6WuHj8E6zO+6G8R/A
zjsfTALo+e+ZdG7KMzbrYHARvjskbqFdOmlLVIYBhCeSElKsSkWB6chOuyPHJInW
JwC5YzZdZwOqcyLBP/xOYXcvjzZnFpAXZzN12VR8vWDNq/kHT+3Lplc8hY++ABMI
M+C9FB3dpNzZu501BZCJg46bqbKulaCCmScIDaVt0zDFZwWTSufiemNxBG4xS8
t5t+FEhmSfv8DAmwg4f/KVRFtm10phUarcLxQO38A10W5YHHORdACnuzVUvHgco7
VT4XUTj07qMhmJgFNWylpu49fbdS2NnOn5IoIyAq51k1KUPrz/WABWiCvLMylGnz
kyMCWoaMtG5/vdx74BBCj09yRZJnLMLi6SDofjCNTDHfmFEVg4LsSWCd41P90P8
0MqhP1D5ViX6PbMNwKWW12lpBbCCdesFRGHjZD2dOu96kHD7ItErX34CC8W04aG4
b7DLktUu6WNV6M8g3CAqJiC0V8AT1p+kvdHZVkXovgND5IU00Jpsj0HhGzKAGpOY
KTGTUekUboISjvVki6efplv06temVL3Txg3KGhZWMJGrq1sngHE0KnV8tkddv/9N
d/t11+we9mrccTg50WNNdkei/cwHI/0PKXg+NDNH3k3QGpAprsqGQMpdqc5ut0P
86i4cF9078QwWg4Tpay3uqNH1Zz6UN0tcarVVNmDupFESUxYw10qJrrEYVRadu74
rKAU4Ey4xkAftB2kuqvr21Av/L+jne4kkGIoZYdB+p/M98pQRgkYyg==
-----END RSA PRIVATE KEY-----

```

## Example: Restoring a Certificate Server from Certificate Server Backup Files

The following example shows that restoration is from a PKCS12 archive and that the database URL is NVRAM (the default).

```
Device# copy tftp://192.0.2.71/backup.ser nvram:mycs.ser

Destination filename [mycs.ser]?
32 bytes copied in 1.320 secs (24 bytes/sec)

Device# copy tftp://192.0.2.71/backup.crl nvram:mycs.crl

Destination filename [mycs.crl]?
214 bytes copied in 1.324 secs (162 bytes/sec)

Device# configure terminal
Device(config)# crypto pki import mycs pkcs12 tftp://192.0.2.71/backup.p12 cisco123

Source filename [backup.p12]?
CRYPTO_PKI: Imported PKCS12 file successfully.

Device(config)# crypto pki server mycs
! fill in any certificate server configuration here

Device(cs-server)# no shutdown
% Certificate Server enabled.

Device(cs-server)# end
Device# show crypto pki server
```

```
Certificate Server mycs:
  Status: enabled
  Server's current state: enabled
  Issuer name: CN=mycs
  CA cert fingerprint: 34885330 B13EAD45 196DA461 B43E813F
  Granting mode is: manual
  Last certificate issued serial number: 0x1
  CA certificate expiration timer: 01:49:13 GMT Aug 28 2007
  CRL NextUpdate timer: 01:49:16 GMT Sep 4 2004
  Current storage dir: nvram:
  Database Level: Minimum - no cert data written to storage
```

The following example shows that restoration is from a PEM archive and that the database URL is flash:

```
Device# copy tftp://192.0.2.71/backup.ser flash:mycs.ser

Destination filename [mycs.ser]?
32 bytes copied in 1.320 secs (24 bytes/sec)
Router# copy tftp://192.0.2.71/backup.crl flash:mycs.crl
Destination filename [mycs.crl]?
214 bytes copied in 1.324 secs (162 bytes/sec)
Device# configure terminal

! Because CA cert has Digital Signature usage, you need to import using the "usage-keys"
keyword

Device(config)# crypto ca import mycs pem usage-keys terminal cisco123
% Enter PEM-formatted CA certificate.
% End with a blank line or "quit" on a line by itself.
! Paste the CA cert from .pem archive.
-----BEGIN CERTIFICATE-----
MIIB9zCCAACgAwIBAgIBATANBgkqhkiG9w0BAQQFADAPMQ0wCwYDVQQDEwRteWNz
MB4XDTA0MDkwMjIxMDI1Nl0XDTA3MDkwMjIxMDI1Nl0wDzENMAsGA1UEAxMEbXl1
czCBnzANBgkqhkiG9w0BAQEFAAOBjQAwgYkCgYEAuGnnDXJbpDDQwCuKGS5Zg2rc
K7ZJauSUotTmWYQvNx+ZmWrUs5/j9Ee5FV2YonirGBQ9mc6ul63kNlrIPFck062L
GpahBhNmKDgodlo2PHTnRlZpEZNDIqU2D3hACgByxPjrY4vUnccV36ewLnQnYpp8
szEu7PYTJr5dU5ltAekCAwEAAnjMGewDwYDVR0TAAQH/BAUwAwEB/zAObgNVHQ8B
Af8EBAMCAYYwHwYDVR0jBBgwFoAUaEEQwYKQC1dm9+wLYBKRTlZxaDIwHQYDVR0
```

## Example: Restoring a Certificate Server from Certificate Server Backup Files

```

BBYEFghBEMGCgkNXZvfsC2ASkU5c8WgyMA0GCSqGSIB3DQEBAUAA4GBAhyhiv2C
mH+vsWkBjRA1FzZk8ttu9s5kwqG0dXp25QRUWsGlr9nsKPNdVkt3P7p0A/KochHe
eNiyg1v+hDQ3FVnzSv983le6O5jvAPxc17RO1BbfNhhqvEWMsXdnjHocUy7XerCo
+bdPcUf/eCiZueH/BEy/SZhd7yovzn2cdzBN
-----END CERTIFICATE-----

% Enter PEM-formatted encrypted private SIGNATURE key.
% End with "quit" on a line by itself.
! Paste the CA private key from .pem archive.
-----BEGIN RSA PRIVATE KEY-----
Proc-Type: 4,ENCRYPTED
DEK-Info: DES-EDE3-CBC,5053DC842B04612A

1Cn1F5Pqvd0zp2NLZ7iosxzTy6nDeXppNyJpxB5q+V29IuY8Apb6TlJCU7YrsEB/
nBTK7K76DceGplLpcuyEI171QmkQJ2gA0QhC0LrRo09WrINVH+b4So/y7nffZkVb
p2yDpZwqoJ8cmRH94Tie0YmzBtEh6ayOud1lz53qbrsCnfSEwszt1xrW1MKrFZrk
/fTy6loHzGFz13BDj4r5gBecExwcPp74ldHO+Ld4Nc9egG8BYkeBCsZzOQNvHXLN
I0tODos6hP915zb6OrZFYv0NK6grTBO9D8hjNZ3U79jJzsSP7UNzIYHNTzRjiAyu
i56Oy/iHvkCSNUIK6zeIJQnW4bSoM1BqrbVPwHU6QaXUq1NzZ8SDtw7ZRZ/rHuiD
RTJMPbKquAzeuBss1132OaAUJRStjPXgyZTubc+cWb6zATNws2yijPDTR6sRHOqL
47wHMr2Yj80VZGgkCSLAKL88Acz9TfUivFhtfl6xMC2yuFl+WRk1Xff5VtWe5Zer
3Fn1DcBmlF7086XUkiSHP4EV0cI6n5ZMzVLx0XAUtdAl1gD94y1V+6p9PcQHLYQA
pGRmj51lSfW90aLafgCTbRbmC0ChIqHy91UFa1ub0130+yu7LsLGR1PmJ9NE61JR
bjRhlUXItRYWY7C4M3m/0wz6fmVQNSumJM08RHq61UB3olzIgGIz1ZkoaESrLG0p
qq2AENFemCPF0uhyVS2humMHjWuRr+jedfc/IMl7sLEgAdqCVCfV3RZVEanXBud1
4QjkuTrwaTcRXVftrVioT/puyVULpA7+k7w+F5TzWUV08mwvUEqDw==
-----END RSA PRIVATE KEY-----

quit
% Enter PEM-formatted SIGNATURE certificate.
% End with a blank line or "quit" on a line by itself.
! Paste the CA cert from .pem archive again.
-----BEGIN CERTIFICATE-----
MIIB9zCCAACgAwIBAgIBATANBgkqhkiG9w0BAQQFADAPMQ0wCwYDVQQDEwRteWNz
MB4XDTA0MDkwMjIxMDI1NloXDTE0MDkxMjIxMDI1NlowDzENMAsGA1UEAxMEbXl1j
czCBnzANBgkqhkiG9w0BAQEFAAOBjQAwGyKCGYEAUGnndXJbpdDQwCuKGS5Zg2rc
K7ZJauSUotTmWYQvNx+ZmWrUs5/j9Ee5FV2YonirGBQ9mc6ul63kNlriPFck062L
GpahBhNmKdGod1o2PHTnRlZpEZNDIqU2D3hACgByxPjry4vUnccV36ewLnQnYpp8
szEu7PYTJr5dU5ltAekCAwEAANjMGEwDwYDVR0TAQH/BAUwAwEB/zAObgNVHQ8B
Af8EBAMCAYYwHwYDVR0jBBgwFoAUaEEQwYKCQ1dm9+wLYBKRTlZxaDIwHQYDVR0O
BBYEFghBEMGCgkNXZvfsC2ASkU5c8WgyMA0GCSqGSIB3DQEBAUAA4GBAhyhiv2C
mH+vsWkBjRA1FzZk8ttu9s5kwqG0dXp25QRUWsGlr9nsKPNdVkt3P7p0A/KochHe
eNiyg1v+hDQ3FVnzSv983le6O5jvAPxc17RO1BbfNhhqvEWMsXdnjHocUy7XerCo
+bdPcUf/eCiZueH/BEy/SZhd7yovzn2cdzBN
-----END CERTIFICATE-----

% Enter PEM-formatted encrypted private ENCRYPTION key.
% End with "quit" on a line by itself.
! Because the CA cert only has Digital Signature usage, skip the encryption part.
quit
% PEM files import succeeded.
Device(config)# crypto pki server mycs
Device(cs-server)# database url flash:

! Fill in any certificate server configuration here.
Device(cs-server)# no shutdown

% Certificate Server enabled.
Device(cs-server)# end
Device# show crypto pki server

Certificate Server mycs:
  Status: enabled
  Server's current state: enabled
  Issuer name: CN=mycs
  CA cert fingerprint: F04C2B75 E0243FBC 19806219 B1D77412
  Granting mode is: manual
  Last certificate issued serial number: 0x2
  CA certificate expiration timer: 21:02:55 GMT Sep 2 2007
  CRL NextUpdate timer: 21:02:58 GMT Sep 9 2004
  Current storage dir: flash:
  Database Level: Minimum - no cert data written to storage

```



## Example: Subordinate Certificate Server

The following configuration and output is typical of what you might see after configuring a subordinate certificate server. Please be aware that “ms2” refers to a 2048-bit RSA key that was generated in an earlier step.

```

Device(config)# crypto pki trustpoint sub
Device(ca-trustpoint)# enrollment url http://192.0.2.6
Device(ca-trustpoint)# rsa keypair ms2 2048
Device(ca-trustpoint)# exit
Device(config)# crypto pki server sub
Device(cs-server)# mode sub-cs
Device(ca-server)# no shutdown

%Some server settings cannot be changed after CA certificate generation.
% Please enter a passphrase to protect the private key
% or type Return to exit
Password:
Jan  6 22:32:22.698: CRYPTO_CS: enter FSM: input state initial, input signal no shut
Re-enter password:
Jan  6 22:32:30.302: CRYPTO_CS: starting enabling checks
Jan  6 22:32:30.306: CRYPTO_CS: key 'sub' does not exist; generated automatically [OK]
Jan  6 22:32:39.810: %SSH-5-ENABLED: SSH 1.99 has been enabled
Certificate has the following attributes:
  Fingerprint MD5: 328ACC02 52B25DB8 22F8F104 B6055B5B
  Fingerprint SHA1: 02FD799D DD40C7A8 61DC53AB 1E89A3EA 2A729EE2
% Do you accept this certificate? [yes/no]:
Jan  6 22:32:44.830: CRYPTO_CS: nvram filesystem
Jan  6 22:32:44.922: CRYPTO_CS: serial number 0x1 written.
Jan  6 22:32:46.798: CRYPTO_CS: created a new serial file.
Jan  6 22:32:46.798: CRYPTO_CS: authenticating the CA 'sub'y
Trustpoint CA certificate accepted.%
% Certificate request sent to Certificate Authority
% Enrollment in progress...
Router (cs-server)#
Jan  6 22:33:30.562: CRYPTO_CS: Publishing 213 bytes to crl file nvram:sub.crl
Jan  6 22:33:32.450: CRYPTO_CS: enrolling the server's trustpoint 'sub'
Jan  6 22:33:32.454: CRYPTO_CS: exit FSM: new state check failed
Jan  6 22:33:32.454: CRYPTO_CS: cs config has been locked
Jan  6 22:33:33.118: CRYPTO_PKI: Certificate Request Fingerprint MD5: CED89E5F 53B9C60E
> AA123413 CDDAD964
Jan  6 22:33:33.118: CRYPTO_PKI: Certificate Request Fingerprint SHA1: 70787C76 ACD7E67F
7D2C8B23 98CB10E7 718E84B1
% Exporting Certificate Server signing certificate and keys...
Jan  6 22:34:53.839: %PKI-6-CERTRET: Certificate received from Certificate Authority
Jan  6 22:34:53.843: CRYPTO_CS: enter FSM: input state check failed, input signal cert
configured
Jan  6 22:34:53.843: CRYPTO_CS: starting enabling checks
Jan  6 22:34:53.843: CRYPTO_CS: nvram filesystem
Jan  6 22:34:53.883: CRYPTO_CS: found existing serial file.
Jan  6 22:34:53.907: CRYPTO_CS: old router cert flag 0x4
Jan  6 22:34:53.907: CRYPTO_CS: new router cert flag 0x44
Jan  6 22:34:56.511: CRYPTO_CS: DB version
Jan  6 22:34:56.511: CRYPTO_CS: last issued serial number is 0x1
Jan  6 22:34:56.551: CRYPTO_CS: CRL file sub.crl exists.
Jan  6 22:34:56.551: CRYPTO_CS: Read 213 bytes from crl file sub.crl.
Jan  6 22:34:56.603: CRYPTO_CS: SCEP server started
Jan  6 22:34:56.603: CRYPTO_CS: exit FSM: new state enabled
Jan  6 22:34:56.603: CRYPTO_CS: cs config has been locked
Jan  6 22:35:02.359: CRYPTO_CS: enter FSM: input state enabled, input signal time set
Jan  6 22:35:02.359: CRYPTO_CS: exit FSM: new state enabled
Jan  6 22:35:02.359: CRYPTO_CS: cs config has been locked

```

## Example: Root Certificate Server Differentiation

When issuing certificates, the root certificate server (or parent subordinate certificate server) differentiates the certificate request from “Sub CA,” “RA,” and peer requests, as shown in the following sample output:

```
Device# crypto pki server server1 info req

Enrollment Request Database:
RA certificate requests:
ReqID      State      Fingerprint                               SubjectName
-----
Subordinate CS certificate requests:
ReqID      State      Fingerprint                               SubjectName
-----
1          pending   CB9977AD8A73B146D3221749999B0F66 hostname=host-subcs.company.com
RA certificate requests:
ReqID      State      Fingerprint                               SubjectName
-----
Router certificate requests:
ReqID      State      Fingerprint                               SubjectName
-----
```

## Example: Show Output for a Subordinate Certificate Server

The following `show crypto pki server` command output indicates that a subordinate certificate server has been configured:

```
Device# show crypto pki server

Certificate Server sub:
  Status: enabled
  Server's configuration is locked (enter "shut" to unlock it)
  Issuer name: CN=sub
  CA cert fingerprint: 11B586EE 3B354F33 14A25DDD 7BD39187
  Server configured in subordinate server mode
  Upper CA cert fingerprint: 328ACC02 52B25DB8 22F8F104 B6055B5B
  Granting mode is: manual
  Last certificate issued serial number: 0x1
  CA certificate expiration timer: 22:33:44 GMT Jan 6 2006
  CRL NextUpdate timer: 22:33:29 GMT Jan 13 2005
  Current storage dir: nvram
  Database Level: Minimum - no cert data written to storage
```

## Example: RA Mode Certificate Server

The following output is typical of what you might see after having configured an RA mode certificate server:

```
Device-ra(config)# crypto pki trustpoint myra
Device-ra(ca-trustpoint)# enrollment url http://192.0.2.17
! Include "cn=ioscs RA" or "ou=ioscs RA" in the subject-name.
Device-ra(ca-trustpoint)# subject-name cn=myra, ou=ioscs RA, o=company, c=us
Device-ra(ca-trustpoint)# exit
Device-ra(config)# crypto pki server myra
Device-ra(cs-server)# mode ra
Device-ra(cs-server)# no shutdown

% Generating 1024 bit RSA keys ...[OK]
Certificate has the following attributes:
Fingerprint MD5: 32661452 0DDA3CE5 8723B469 09AB9E85
Fingerprint SHA1: 9785BB0D 6C67D27C C950E8D0 718C7A14 C0FE9C38
% Do you accept this certificate? [yes/no]: yes
Trustpoint CA certificate accepted.
% Ready to request the CA certificate.
```

```

%Some server settings cannot be changed after the CA certificate has been requested.
Are you sure you want to do this? [yes/no]: yes
%
% Start certificate enrollment ..
% Create a challenge password. You will need to verbally provide this
  password to the CA administrator in order to revoke your certificate.
  For security reasons your password will not be saved in the configuration.
  Please make a note of it.
Password:
Re-enter password:
% The subject name in the certificate will include: cn=myra, ou=ioscs RA, o=company, c=us
% The subject name in the certificate will include: Router-ra.company.com
% Include the router serial number in the subject name? [yes/no]: no
% Include an IP address in the subject name? [no]: no
Request certificate from CA? [yes/no]: yes
% Certificate request sent to Certificate Authority
% The certificate request fingerprint will be displayed.
% The 'show crypto pki certificate' command will also show the fingerprint.
% Enrollment in progress...
Device-ra (cs-server)#

Sep 15 22:32:40.197: CRYPTO_PKI: Certificate Request Fingerprint MD5: 82B41A76 AF4EC87D
AAF093CD 07747D3A
Sep 15 22:32:40.201: CRYPTO_PKI: Certificate Request Fingerprint SHA1: 897CDF40 C6563EAA
0FED05F7 0115FD3A 4FFC5231
Sep 15 22:34:00.366: %PKI-6-CERTRET: Certificate received from Certificate Authority

Device-ra(cs-server)# end
Device-ra# show crypto pki server

```

```

Certificate Server myra:
  Status: enabled
  Issuer name: CN=myra
  CA cert fingerprint: 32661452 0DDA3CE5 8723B469 09AB9E85
  ! Note that the certificate server is running in RA mode
  Server configured in RA mode
  RA cert fingerprint: C65F5724 0E63B3CC BE7AE016 BE0D34FE
  Granting mode is: manual
  Current storage dir: nvram:
  Database Level: Minimum - no cert data written to storage

```

The following output shows the enrollment request database of the issuing certificate server after the RA has been enabled:


**Note**

The RA certificate request is recognized by the issuing certificate server because "ou=ioscs RA" is listed in the subject name.

```

Device-ca# crypto pki server mycs info request

Enrollment Request Database:
Subordinate CA certificate requests:
ReqID  State      Fingerprint                               SubjectName
-----
! The request is identified as RA certificate request.
RA certificate requests:
ReqID  State      Fingerprint                               SubjectName
-----
12     pending   88F547A407FA0C90F97CDE8900A30CB0
hostname=Router-ra.company.com,cn=myra,ou=ioscs RA,o=company,c=us
Router certificates requests:
ReqID  State      Fingerprint                               SubjectName
-----
! Issue the RA certificate.
Device-ca# crypto pki server mycs grant 12

```

**Example: Enabling CA Certificate Rollover to Start Immediately**

The following output shows that the issuing certificate server is configured to issue a certificate automatically if the request comes from an RA:

```
Device-ca(config)# crypto pki server mycs
Device-ca(cs-server)# grant ra-auto

% This will cause all certificate requests already authorized by known RAs to be automatically
  granted.
Are you sure you want to do this? [yes/no]: yes
Router-ca (cs-server)# end
Device-ca# show crypto pki server

Certificate Server mycs:
  Status: enabled
  Server's current state: enabled
  Issuer name: CN=mycs
  CA cert fingerprint: 32661452 0DDA3CE5 8723B469 09AB9E85
  ! Note that the certificate server will issue certificate for requests from the RA.
  Granting mode is: auto for RA-authorized requests, manual otherwise
  Last certificate issued serial number: 0x2
  CA certificate expiration timer: 22:29:37 GMT Sep 15 2007
  CRL NextUpdate timer: 22:29:39 GMT Sep 22 2004
  Current storage dir: nvram:
  Database Level: Minimum - no cert data written to storage
```

The following example shows the configuration of “myra”, an RA server, configured to support automatic rollover from “myca”, the CA. After the RA server is configured, automatic granting of certificate reenrollment requests is enabled:

```
crypto pki trustpoint myra
  enrollment url
  http://myca
  subject-name ou=iosca RA
  rsakeypair myra
crypto pki server myra
  mode ra
  auto-rollover
crypto pki server mycs
  grant auto rollover ra-cert
  auto-rollover 25
```

## Example: Enabling CA Certificate Rollover to Start Immediately

The following example shows how to enable automated CA certificate rollover on the server mycs with the **crypto pki server** command. The **show crypto pki server** command then shows the current state of the mycs server and that the rollover certificate is currently available for rollover.

```
Device(config)# crypto pki server mycs rollover

Jun 20 23:51:21.211:%PKI-4-NOSHADOWAUTOSAVE:Configuration was
modified. Issue "write memory" to save new IOS CA certificate
! The config has not been automatically saved because the config has been changed.
Device# show crypto pki server

Certificate Server mycs:
  Status:enabled
  Server's configuration is locked (enter "shut" to unlock it)
  Issuer name:CN=mycs
  CA cert fingerprint:E7A5FABA 5D7AA26C F2A9F7B3 03CE229A
  Granting mode is:manual
  Last certificate issued serial number:0x2
  CA certificate expiration timer:00:49:26 PDT Jun 20 2008
  CRL NextUpdate timer:00:49:29 PDT Jun 28 2005
  Current storage dir:nvram:
  Database Level:Minimum - no cert data written to storage
  Rollover status:available for rollover
  ! Rollover certificate is available for rollover.
```

```
Rollover CA certificate fingerprint:9BD7A443 00A6DD74 E4D9ED5F B7931BE0
Rollover CA certificate expiration time:00:49:26 PDT Jun 20 2011
Auto-Rollover configured, overlap period 25 days
```

## Where to Go Next

After the certificate server is successfully running, you can either begin enrolling clients through manual mechanisms (as explained in the module “*Configuring Certificate Enrollment for a PKI*”) or begin configuring SDP, which is a web-based enrollment interface, (as explained in the module “*Setting Up Secure Device Provisioning (SDP) for Enrollment in a PKI.*”)

## Additional References for Configuring and Managing a Cisco IOS XE Certificate Server for PKI Deployment

### Related Documents

Related Topic	Document Title
Cisco IOS commands	<a href="#">Cisco IOS Master Commands List, All Releases</a>
PKI and security commands	<ul style="list-style-type: none"> <li>• <a href="#">Cisco IOS Security Command Reference Commands A to C</a></li> <li>• <a href="#">Cisco IOS Security Command Reference Commands D to L</a></li> <li>• <a href="#">Cisco IOS Security Command Reference Commands M to R</a></li> <li>• <a href="#">Cisco IOS Security Command Reference Commands S to Z</a></li> </ul>
USB Token RSA Operations: Using the RSA keys on a USB token for initial autoenrollment	<i>Configuring Certificate Enrollment for a PKI</i>
USB Token RSA Operations: Benefits of using USB tokens	<i>Storing PKI Credentials</i>
Certificate server client certificate enrollment, autoenrollment, and automatic rollover	<i>Configuring Certificate Enrollment for a PKI</i>
Setting up and logging into a USB token	<i>Storing PKI Credentials</i>
Web-based certificate enrollment	<i>Setting Up Secure Device Provisioning (SDP) for Enrollment in a PKI</i>
RSA keys in PEM formatted files	<i>Deploying RSA Keys Within a PKI</i>

Related Topic	Document Title
Choosing a certificate revocation mechanism	<i>Configuring Authorization and Revocation of Certificates in a PKI</i>
Recommended cryptographic algorithms	<a href="#">Next Generation Encryption</a>

### Technical Assistance

Description	Link
The Cisco Support and Documentation website provides online resources to download documentation, software, and tools. Use these resources to install and configure the software and to troubleshoot and resolve technical issues with Cisco products and technologies. Access to most tools on the Cisco Support and Documentation website requires a Cisco.com user ID and password.	<a href="http://www.cisco.com/cisco/web/support/index.html">http://www.cisco.com/cisco/web/support/index.html</a>

## Feature Information for Configuring and Managing a Cisco IOS XE Certificate Server for PKI Deployment

The following table provides release information about the feature or features described in this module. This table lists only the software release that introduced support for a given feature in a given software release train. Unless noted otherwise, subsequent releases of that software release train also support that feature.

Use Cisco Feature Navigator to find information about platform support and Cisco software image support. To access Cisco Feature Navigator, go to [www.cisco.com/go/cfn](http://www.cisco.com/go/cfn). An account on Cisco.com is not required.

**Table 9: Feature Information for Configuring and Managing a Cisco IOS XE Certificate Server for PKI Deployment**

Feature Name	Releases	Feature Information
PKI IOS XE Certificate Server	Cisco IOS XE Release 3.15S	<p>This feature introduces support for the Cisco IOS certificate server, which offers users a CA that is directly integrated with Cisco software to more easily deploy basic PKI networks.</p> <p>The following commands were introduced or modified:  <b>auto-rollover, crypto key generate rsa, crypto pki certificate chain,, crypto pki export pem, crypto pki server info request, crypto pki server, database archive, database url , enrollment url (ca-trustpoint), grant auto rollover, grant ra-auto, lifetime enrollment-requests, mode ra, show crypto pki certificates, show crypto pki server, and show crypto pki trustpoint</b></p>







## Storing PKI Credentials

---

Public key infrastructure (PKI) credentials, such as Rivest, Shamir, and Adelman (RSA) keys and certificates can be stored in a specific location on the router, such as NVRAM and flash memory or on a USB eToken 64 KB smart card. USB tokens provide secure configuration distribution, RSA operations such as on-token key generation, signing, and authentication, and the storage of Virtual Private Network (VPN) credentials for deployment.

- [Finding Feature Information, page 181](#)
- [Prerequisites for Storing PKI Credentials, page 182](#)
- [Restrictions for Storing PKI Credentials, page 182](#)
- [Information About Storing PKI Credentials, page 183](#)
- [How to Configure PKI Storage, page 185](#)
- [Configuration Examples for PKI Storage, page 199](#)
- [Additional References, page 200](#)
- [Feature Information for Storing PKI Credentials, page 201](#)

### Finding Feature Information

Your software release may not support all the features documented in this module. For the latest caveats and feature information, see [Bug Search Tool](#) and the release notes for your platform and software release. To find information about the features documented in this module, and to see a list of the releases in which each feature is supported, see the feature information table.

Use Cisco Feature Navigator to find information about platform support and Cisco software image support. To access Cisco Feature Navigator, go to [www.cisco.com/go/cfn](http://www.cisco.com/go/cfn). An account on Cisco.com is not required.

# Prerequisites for Storing PKI Credentials

## Prerequisites for Specifying a Local Certificate Storage Location

Before you can specify the local certificate storage location, your system should meet the following requirements:

- A Cisco IOS Release 12.4(2)T PKI-enabled image or a later image
- A platform that supports storing PKI credentials as separate files
- A configuration that contains at least one certificate
- An accessible local file system

## Prerequisites for Specifying USB Token Storage for PKI Credentials

Before you can use a USB token, your system should meet the following requirements:

- A Cisco 871 router, Cisco 1800 series, Cisco 2800 series, a Cisco 3800 series router, or a Cisco 7200VXR NPE-G2 platform
- At least a Cisco IOS Release 12.3(14)T image running on any of the supported platforms
- A Cisco supported USB token (Safenet/Aladdin eToken PRO 32 KB or 64 KB)
- A k9 image

# Restrictions for Storing PKI Credentials

## Restrictions for Specifying a Local Certificate Storage Location

When storing certificates to a local storage location, the following restrictions are applicable:

- Only local file systems may be used. An error message will be displayed if a remote file system is selected, and the command will not take effect.
- A subdirectory may be specified if supported by the local file system. NVRAM does not support subdirectories.

## Restrictions for Specifying USB Token Storage

When using a USB token to store PKI data, the following restrictions are applicable:

- USB token support requires a 3DES (k9) Cisco IOS software image, which provides secure file storage.
- You cannot boot an image from a USB token. (However, you can boot a configuration from a USB token.)
- USB hubs are currently not supported. Thus, the number of supported devices is limited to the number of available USB ports.

# Information About Storing PKI Credentials

## Storing Certificates to a Local Storage Location

Certificates are stored to NVRAM by default; however, some routers do not have the required amount of NVRAM to successfully store certificates.

All Cisco platforms support NVRAM and flash local storage. Depending on your platform, you may have other supported local storage options including bootflash, slot, disk, USB flash, or USB token.

During run time, you can specify what active local storage device you would like to use to store certificates.

## PKI Credentials and USB Tokens

To use a secure USB token on your router, you should understand the following concepts:

### How a USB Token Works

A smart card is a small plastic card, containing a microprocessor and memory that allows you to store and process data. A USB token is a smart card with a USB interface. The token can securely store any type of file within its available storage space (32 KB). Configuration files that are stored on the USB token can be encrypted and accessed only via a user PIN. The device does not load the configuration file unless the proper PIN has been configured for secure deployment of device configuration files.

After you plug the USB token into the device, you must log into the USB token; thereafter, you can change default settings, such as the user PIN (default: 1234567890) and the allowed number of failed login attempts (default: 15 attempts) before future logins are refused. For more information on accessing and configuring the USB token, see the section "Logging Into and Setting Up the USB Token."

After you have successfully logged into the USB token, you can copy files from the device on to the USB token via the **copy** command. USB token RSA keys and associated IPsec tunnels remain available until the device is reloaded. To specify the length of time before the keys are removed and the IPsec tunnels are torn down, issue the **crypto pki token removal timeout** command. The default timeout is zero, which causes the RSA keys to be removed automatically after the eToken is removed from the device. The default appears in the running configuration as:

```
crypto pki token default removal timeout 0
```

The table below highlights the capabilities of the USB token.

**Table 10: Functionality Highlights for USB Tokens**

Function	USB Token
Accessibility	Used to securely store and transfer digital certificates, preshared keys, and device configurations from the USB token to the device.
Storage Size	32 KB or 64 KB

Function	USB Token
File Types	<ul style="list-style-type: none"> <li>• Typically used to store digital certificates, preshared keys, and device configurations for IPsec VPNs.</li> <li>• USB tokens cannot store Cisco IOS images.</li> </ul>
Security	<ul style="list-style-type: none"> <li>• Files can be encrypted and accessed only with a user PIN.</li> <li>• Files can also be stored in a nonsecure format.</li> </ul>
Boot Configurations	<ul style="list-style-type: none"> <li>• The device can use the configuration stored in the USB token during boot time.</li> <li>• The device can use the secondary configuration stored in the USB token during boot time. (A secondary configuration allows users to load their IPsec configuration.)</li> </ul>

## Benefits of USB Tokens

USB token support on a Cisco router provides the following application benefits:

### Removable Credentials: Provide or Store VPN Credentials on an External Device for Deployment

A USB token can use smart card technology to store a digital certificate and configuration for IPsec VPN deployment. This ability enhances the capability of the router to generate RSA public keys to authenticate at least one IPsec tunnel. (Because a router can initiate multiple IPsec tunnels, the USB token can contain several certificates, as appropriate.)

Storing VPN credentials on an external device reduces the threat of compromising secure data.

### PIN Configuration for Secure File Deployment

A USB token can store a configuration file that can be used for enabling encryption on the router via a user-configured PIN. (That is, no digital certificates, preshared keys, or VPNs are used.)

### Touchless or Low Touch Configuration

The USB token can provide remote software configuration and provisioning with little or no human interaction. Configuration is set up as an automated process. That is, the USB token can store a bootstrap configuration that the router can use to boot from after the USB token has been inserted into the router. The bootstrap configuration connects the router to a TFTP server, which contains a configuration that completely configures the router.

### RSA Operations

A USB token may be used as a cryptographic device in addition to a storage device. Using a USB token as a cryptographic device allows RSA operations such as key generation, signing, and authentication to be performed on the token.

General-purpose, special-usage, encryption, or signature RSA key pairs with a modulus of 2048 bits or less may be generated from credentials located on your token storage device. Private keys are not distributed and remain on the token by default, however you may configure the private key storage location.

Keys that reside on a USB token are saved to persistent token storage when they are generated. Key deletion will remove the keys stored on the token from persistent storage immediately. (Keys that do not reside on a token are saved to or deleted from non-token storage locations when the **write memory** or a similar command is issued.)

Remote Device Configuration and Provisioning in a Secure Device Provisioning (SDP) Environment

SDP may be used to configure a USB token. The configured USB token may be transported to provision a device at a remote location. That is, a USB token may be used to transfer cryptographic information from one network device to another remote network device providing a solution for a staged USB token deployment.

For information about using USB tokens with SDP, see document titles in the “Additional References” section.

## How to Configure PKI Storage

### Specifying a Local Storage Location for Certificates

#### SUMMARY STEPS

1. **enable**
2. **configure terminal**
3. **crypto pki certificate storage** *location-name*
4. **exit**
5. **copy** *source-url destination-url*
6. **show crypto pki certificates storage**

#### DETAILED STEPS

	Command or Action	Purpose
Step 1	<b>enable</b>  <b>Example:</b> Device> enable	Enables privileged EXEC mode. <ul style="list-style-type: none"> <li>• Enter your password if prompted.</li> </ul>

	Command or Action	Purpose
<b>Step 2</b>	<b>configure terminal</b>  <b>Example:</b> Device# configure terminal	Enters global configuration mode.
<b>Step 3</b>	<b>crypto pki certificate storage <i>location-name</i></b>  <b>Example:</b> Device(config)# crypto pki certificate storage flash:/certs	Specifies the local storage location for certificates.
<b>Step 4</b>	<b>exit</b>  <b>Example:</b> Device(config)# exit	Exits global configuration mode.
<b>Step 5</b>	<b>copy <i>source-url destination-url</i></b>  <b>Example:</b> Device# copy system:running-config nvram:startup-config	(Optional) Saves the running configuration to the startup configuration.  <b>Note</b> Settings will only take effect when the running configuration is saved to the startup configuration.
<b>Step 6</b>	<b>show crypto pki certificates storage</b>  <b>Example:</b> Device# show crypto pki certificates storage	(Optional) Displays the current setting for the PKI certificate storage location.

### Example

The following is sample output from the **show crypto pki certificates storage** command, which shows that the certificates are stored in the certs subdirectory of disk0:

```
Device# show crypto pki certificates storage
Certificates will be stored in disk0:/certs/
```

# Setting Up and Using USB Tokens on Cisco Devices

## Storing the Configuration on a USB Token

### SUMMARY STEPS

1. `enable`
2. `configure terminal`
3. `boot config usbtoken[0-9]:filename`

### DETAILED STEPS

	Command or Action	Purpose
<b>Step 1</b>	<b>enable</b>  <b>Example:</b> Device> enable	Enables privileged EXEC mode. <ul style="list-style-type: none"> <li>• Enter your password if prompted.</li> </ul>
<b>Step 2</b>	<b>configure terminal</b>  <b>Example:</b> Device# configure terminal	Enters global configuration mode.
<b>Step 3</b>	<b>boot config usbtoken[0-9]:filename</b>  <b>Example:</b> Device (config)# boot config usbtoken0:file	Specifies that the startup configuration file is stored in a secure USB token.

## Logging Into and Setting Up the USB Token

### How RSA Keys are Used with a USB Token

- RSA keys are loaded after the USB token is successfully logged into the router.
- By default, newly generated RSA keys are stored on the most recently inserted USB token. Regenerated keys should be stored in the same location where the original RSA key was generated.

### Configuring the Device for Manual Login

Unlike automatic login, manual login requires that the user know the actual USB token PIN.



**Note** Either the manual or automatic login is required.

Manual login can be used when storing a PIN on the device is not desirable. Manual login may also be suitable for some initial deployment or hardware replacement scenarios for which the device is obtained from the local supplier or drop-shipped to the remote site. Manual login can be executed with or without privileges, and it creates files and RSA keys on the USB token available to the Cisco IOS software. If a secondary configuration file is configured, it is executed only with the privileges of the user who is performing the login. Thus, if you want to use manual login and set up the secondary configuration on the USB token to perform anything useful, you need to enable privileges.

Manual login can also be used in recovery scenarios for which the device configuration has been lost. If the scenario contains a remote site that normally connects to the core network with a VPN, the loss of the configuration and RSA keys requires out-of-band services that the USB token can provide. The USB token can contain a boot configuration, a secondary configuration, or both, and RSA keys to authenticate the connection.

## SUMMARY STEPS

1. **enable**
2. **crypto pki token** *token-name* [**admin**] **login** [*pin*]
3. **show usbtoken** *0-9:filename*

## DETAILED STEPS

	Command or Action	Purpose
<b>Step 1</b>	<b>enable</b>  <b>Example:</b> Device> enable	Enables privileged EXEC mode. <ul style="list-style-type: none"> <li>• Enter your password if prompted.</li> </ul>
<b>Step 2</b>	<b>crypto pki token</b> <i>token-name</i> [ <b>admin</b> ] <b>login</b> [ <i>pin</i> ]  <b>Example:</b> Device# crypto pki token usbtoken0 admin login 5678	Manually logs into the USB token.  If the <b>admin</b> keyword is not specified initially you can re-enter the <b>crypto pki token</b> command again with this keyword option.
<b>Step 3</b>	<b>show usbtoken</b> <i>0-9:filename</i>  <b>Example:</b> Device# show usbtoken0:usbfile	(Optional) Verifies whether the USB token has been logged on to the device.

## What to Do Next

After you have logged into the USB token, it is available for use.



- To further configure the USB token, see the “Configuring the USB Token” section.
- To perform USB token administrative tasks, such as changing the user PIN, copying files from the router to the USB token set key storage location, and changing USB tokens, see the “Setting Administrative Functions on the USB Token” section.

## Configuring the USB Token

After you have set up automatic login, you may perform this task to further configure the USB token.

### PINs and Passphrases

For additional PIN security with automatic login, you may encrypt your PIN stored in NVRAM and set up a passphrase for your USB token. Establishing a passphrase allows you to keep your PIN secure; another user needs only to know the passphrase, not the PIN.

When the USB token is inserted into the device, the passphrase is needed to decrypt the PIN. Once the PIN is decrypted, the device can then use the PIN to log in to the USB token.



---

**Note**

The user needs a privilege level of 1 to log in.

---

### Unlocking and Locking the USB Token

The USB token itself can be locked (encrypted) or unlocked (decrypted).

Unlocking the USB token allows it to be used. Once unlocked, Cisco IOS software treats the token as if it were automatically logged in. Any keys on the USB token are loaded, and if a secondary configuration file is on the token, it is executed with full user privileges (privilege level 15) independent of the privilege level of the logged-in user.

Locking the token, unlike logging out of the token, deletes any RSA keys loaded from the token and runs the secondary unconfiguration file, if configured.

### Secondary Configuration and Unconfiguration Files

Configuration files that exist on a USB token are called secondary configuration files. If you create and configure a secondary configuration file, it is executed after the token is logged in. The existence of a secondary configuration file is determined by the presence of a secondary configuration file option in the Cisco IOS configuration stored in NVRAM. When the token is removed or logged out and the removal timer expires, a separate secondary unconfiguration file is processed to remove all secondary configuration elements from the running configuration. Secondary configuration and secondary unconfiguration files are executed at privilege level 15 and are not dependent on the level of the user logged in.

## SUMMARY STEPS

1. **enable**
2. **crypto pki token** *token-name* **unlock** [*pin*]
3. **configure terminal**
4. **crypto pki token** *token-name* **encrypted-user-pin** [*write*]
5. **crypto pki token** *token-name* **secondary** **unconfig** *file*
6. **exit**
7. **crypto pki token** *token-name* **lock** [*pin*]

## DETAILED STEPS

	Command or Action	Purpose
<b>Step 1</b>	<b>enable</b>  <b>Example:</b> Device> enable	Enables privileged EXEC mode.  <ul style="list-style-type: none"> <li>• Enter your password if prompted.</li> </ul>
<b>Step 2</b>	<b>crypto pki token</b> <i>token-name</i> <b>unlock</b> [ <i>pin</i> ]  <b>Example:</b> Device# crypto pki token mytoken unlock mypin	(Optional) Allows the token to be used if the USB token has been locked.  Once unlocked, Cisco IOS software treats the token as if it has been automatically logged in. Any keys on the token are loaded and if a secondary configuration file exists, it is executed.
<b>Step 3</b>	<b>configure terminal</b>  <b>Example:</b> Device# configure terminal	Enters global configuration mode.
<b>Step 4</b>	<b>crypto pki token</b> <i>token-name</i> <b>encrypted-user-pin</b> [ <i>write</i> ]  <b>Example:</b> Device(config)# crypto pki token mytoken encrypted-user-pin write	(Optional) Encrypts the stored PIN in NVRAM.
<b>Step 5</b>	<b>crypto pki token</b> <i>token-name</i> <b>secondary</b> <b>unconfig</b> <i>file</i>  <b>Example:</b> Device(config)# crypto pki token mytoken secondary unconfig configs/myunconfigfile.cfg	(Optional) Specifies the secondary configuration file and its location.

	Command or Action	Purpose
Step 6	<b>exit</b>  <b>Example:</b> Device(config)# exit	Enters privileged EXEC mode.
Step 7	<b>crypto pki token <i>token-name</i> lock [<i>pin</i>]</b>  <b>Example:</b> Device# crypto pki token mytoken lock mypin	(Optional) Deletes any RSA keys loaded from the token and runs the secondary unconfiguration file, if it exists.

### Examples

The following example shows both the configuration and encryption of a user PIN and then the device reloading and the user PIN being unlocked:

```

! Configuring the user PIN

Enter configuration commands, one per line. End with CNTL/Z.

Device(config)# crypto pki token usbtoken0: userpin

Enter password: mypassword

! Encrypt the user PIN

Device(config)# crypto pki token usbtoken0: encrypted-user-pin

Enter passphrase: mypassphrase

Device(config)# exit

Device#

Sep 20 21:51:38.076: %SYS-5-CONFIG_I: Configured from console by console

Device# show running config

crypto pki token usbtoken0 user-pin *encrypted*

! Reloading the router.

Device> enable

Password:

! Decrypting the user pin.

Device# crypto pki token usbtoken0: unlock

Token eToken is usbtoken0

Enter passphrase: mypassphrase

Token login to usbtoken0(eToken) successful

Device#

Sep 20 22:31:13.128: %CRYPTO-6-TOKENLOGIN: Cryptographic Token eToken

```

Login Successful

The following example shows how a secondary unconfiguration file might be used to remove secondary configuration elements from the running configuration. For example, a secondary configuration file might be used to set up a PKI trustpoint. A corresponding unconfiguration file, named `mysecondaryunconfigfile.cfg`, might contain this command line:

```
no crypto pki trustpoint token-tp
```

If the token were removed and the following commands executed, the trustpoint and associated certificates would be removed from the device's running configuration:

```
Device# configure terminal
Device(config)# no crypto pki token mytoken secondary unconfig mysecondaryunconfigfile.cfg
```

## What to Do Next

After you have logged into and configured the USB token, it is available for use. If you want to perform USB token administrative tasks, such as changing the user PIN, copying files from the router to the USB token set key storage location, and changing USB tokens, see the "Setting Administrative Functions on the USB Token" section.

## Setting Administrative Functions on the USB Token

Perform this task to change default settings, such as the user PIN, the maximum number of failed attempts on the USB token, or the credential storage location.

### SUMMARY STEPS

1. **enable**
2. **crypto pki token *token-name* admin ] change-pin [*pin*]**
3. **crypto pki token *token-name* device-name: label *token-label***
4. **configure terminal**
5. **crypto key storage *device-name*:**
6. **crypto key generate rsa [general-keys | usage-keys | signature | encryption] [*label key-label*] [exportable] [modulus *modulus-size*] [storage *device-name*:] [redundancy] [on *device-name*]:**
7. **crypto key move rsa *keylabel* [non-exportable | [on | storage]] *location***
8. **crypto pki token {*token-name* | default} removal timeout [*seconds*]**
9. **crypto pki token {*token-name* | default} max-retries [*number*]**
10. **exit**
11. **copy usbflash[0-9]:*filename* *destination-url***
12. **show usbtokens[0-9]:*filename***
13. **crypto pki token *token-name* logout**

### DETAILED STEPS

	Command or Action	Purpose
Step 1	enable	Enables privileged EXEC mode.

	Command or Action	Purpose
	<p><b>Example:</b></p> <pre>Device&gt; enable</pre>	<ul style="list-style-type: none"> <li>• Enter your password if prompted.</li> </ul>
<b>Step 2</b>	<p><b>crypto pki token <i>token-name</i> admin ] change-pin [<i>pin</i>]</b></p> <p><b>Example:</b></p> <pre>Device# crypto pki token usbtoken0 admin change-pin</pre>	<p>(Optional) Changes the user PIN number on the USB token.</p> <ul style="list-style-type: none"> <li>• If the PIN is not changed, the default PIN 1234567890 is used.</li> </ul> <p><b>Note</b> After the PIN has been changed, you must reset the login failure count to zero (via the <b>crypto pki token max-retries</b> command). The maximum number of allowable login failures is set (by default) to 15.</p>
<b>Step 3</b>	<p><b>crypto pki token <i>token-name device-name:</i> label <i>token-label</i></b></p> <p><b>Example:</b></p> <pre>Device# crypto pki token mytoken usb0: label newlabel</pre>	<p>(Optional) Sets or changes the name of the USB token.</p> <ul style="list-style-type: none"> <li>• The value of the <i>token-label</i> argument may be up to 31 alphanumeric characters in length including dashes and underscores.</li> </ul> <p><b>Tip</b> This command is useful when configuring multiple USB tokens for automatic login, secondary configuration files, or other token specific settings.</p>
<b>Step 4</b>	<p><b>configure terminal</b></p> <p><b>Example:</b></p> <pre>Device# configure terminal</pre>	Enters global configuration mode.
<b>Step 5</b>	<p><b>crypto key storage <i>device-name:</i></b></p> <p><b>Example:</b></p> <pre>Device(config)# crypto key storage usbtoken0:</pre>	<p>(Optional) Sets the default RSA key storage location for newly created keys.</p> <p><b>Note</b> Regardless of configuration settings, existing keys are stored on the device from where they were originally loaded.</p>
<b>Step 6</b>	<p><b>crypto key generate rsa [general-keys   usage-keys   signature   encryption] [label <i>key-label</i>] [exportable] [modulus <i>modulus-size</i>] [storage <i>device-name:</i>] [redundancy] [on <i>device-name</i>]:</b></p> <p><b>Example:</b></p> <pre>Device(config)# crypto key generate rsa label tokenkey1 storage usbtoken0:</pre>	<p>(Optional) Generates the RSA key pair for the certificate server.</p> <ul style="list-style-type: none"> <li>• The <b>storage</b> keyword specifies the key storage location.</li> <li>• When specifying a label name by specifying the <i>key-label</i> argument, you must use the same name for the label that you plan to use for the certificate server (through the <b>crypto pki server cs-label</b> command). If a <i>key-label</i> argument is not specified, the default value, which is the fully qualified domain name (FQDN) of the device, is used.</li> </ul> <p>If the exportable RSA key pair is manually generated after the CA certificate has been generated, and before issuing the <b>no shutdown</b> command, then use the <b>crypto ca export pkcs12</b> command to export a PKCS12 file that contains the certificate server certificate and the private key.</p>

	Command or Action	Purpose
		<ul style="list-style-type: none"> <li>• By default, the modulus size of a CA key is 1024 bits. The recommended modulus for a CA key is 2048 bits. The range for a modulus size of a CA key is from 350 to 4096 bits.</li> <li>• The <b>on</b> keyword specifies that the RSA key pair is created on the specified device, including a Universal Serial Bus (USB) token, local disk, or NVRAM. The name of the device is followed by a colon (:).</li> </ul> <p><b>Note</b> Keys created on a USB token must be 2048 bits or less.</p>
<b>Step 7</b>	<b>crypto key move rsa <i>keylabel</i> [non-exportable   [on   storage]] <i>location</i></b>  <b>Example:</b>  <pre>Device(config)# crypto key move rsa keypairname non-exportable on token</pre>	(Optional) Moves existing Cisco IOS credentials from the current storage location to the specified storage location.  By default, the RSA key pair remains stored on the current device.  Generating the key on the device and moving it to the token takes less than a minute. Generating a key on the token, using the <b>on</b> keyword could take five to ten minutes, and is dependent on hardware key generation routines available on the USB token.  When an existing RSA key pair is generated in Cisco IOS, stored on a USB token, and used for an enrollment, it may be necessary to move those existing RSA key pairs to an alternate location for permanent storage.  This command is useful when using SDP with USB tokens to deploy credentials.
<b>Step 8</b>	<b>crypto pki token {<i>token-name</i>   default} removal timeout [<i>seconds</i>]</b>  <b>Example:</b>  <pre>Device(config)# crypto pki token usbtoken0 removal timeout 60</pre>	(Optional) Sets the time interval, in seconds, that the device waits before removing the RSA keys that are stored in the USB token after the USB token has been removed from the device.  <p><b>Note</b> If this command is not issued, all RSA keys and IPsec tunnels associated with the USB token are torn down immediately after the USB token is removed from the device.</p>
<b>Step 9</b>	<b>crypto pki token {<i>token-name</i>   default} max-retries [<i>number</i>]</b>  <b>Example:</b>  <pre>Device(config)# crypto pki token usbtoken0 max-retries 20</pre>	(Optional) Sets the maximum number of consecutive failed login attempts allowed before access to the USB token is denied.  <ul style="list-style-type: none"> <li>• By default, the value is set at 15.</li> </ul>
<b>Step 10</b>	<b>exit</b>  <b>Example:</b>  <pre>Device(config)# exit</pre>	Exits global configuration mode.
<b>Step 11</b>	<b>copy usbflash[0-9]:<i>filename destination-url</i></b>	Copies files from USB token to the device.

	Command or Action	Purpose
	<b>Example:</b> Device# copy usbflash0:file1 nvram:	<ul style="list-style-type: none"> <li>• <i>destination-url</i>—See the <b>copy</b> command page documentation for a list of supported options.</li> </ul>
<b>Step 12</b>	<b>show usbtoken[0-9]:filename</b>  <b>Example:</b> Device# show usbtoken:usbfile	(Optional) Displays information about the USB token. You can use this command to verify whether the USB token has been logged in to the device.
<b>Step 13</b>	<b>crypto pki token token-name logout</b>  <b>Example:</b> Device# crypto pki token usbtoken0 logout	Logs the device out of the USB token.  <b>Note</b> If you want to save any data to the USB token, you must log back into the token.

## Troubleshooting USB Tokens

This section contains descriptions of the following Cisco IOS commands that can be used to help troubleshoot possible problems that may arise while using a USB token:

### Troubleshooting the USB Port Connection

Use the **show file systems** command to determine whether the router recognizes that there is a USB module plugged into a USB port. The USB module should appear on the list of file systems. If the module does not appear on the list, it can indicate any of the following problems:

- A connection problem with the USB module.
- The Cisco IOS image running on the router does not support a USB module.
- A hardware problem with the USB module itself.

Sample output from the **show file systems** command showing a USB token appears below. The USB module listing appears in the last line of the examples.

```
Device# show file systems
File Systems:
  Size (b)      Free (b)      Type  Flags  Prefixes
  -          -          -     -     -
  -          -          opaque rw   archive:
  -          -          opaque rw   system:
  -          -          opaque rw   null:
  -          -          network rw   tftp:
* 129880064    69414912     disk  rw   flash:#
   491512     486395      nvram rw   nvram:
  -          -          opaque wo   syslog:
  -          -          opaque rw   xmodem:
  -          -          opaque rw   ymodem:
  -          -          network rw   rcp:
```

```

-          - network rw pram:
-          - network rw ftp:
-          - network rw http:
-          - network rw scp:
-          - network rw https:
-          - opaque ro cns:
63158272 33037312 usbflash rw usbflash0:
32768      858  usbtoken rw  usbtoken1:

```

## Determining if a USB Token is Supported by Cisco

Use the **show usb device** command to determine if a USB token is supported by Cisco. The following output from this command indicates whether or not the module is supported is bold in the sample output below:

```

Router# show usb device
Host Controller:1
Address:0x11
Device Configured:YES
Device Supported:YES
Description:eToken Pro 4254
Manufacturer:AKS
Version:1.0
Serial Number:
Device Handle:0x1010000
USB Version Compliance:1.0
Class Code:0xFF
Subclass Code:0x0
Protocol:0x0
Vendor ID:0x529
Product ID:0x514
Max. Packet Size of Endpoint Zero:8
Number of Configurations:1
Speed:Low
Selected Configuration:1
Selected Interface:0
Configuration:
  Number:1
  Number of Interfaces:1
  Description:
  Attributes:None
  Max Power:60 mA
  Interface:
    Number:0
    Description:
    Class Code:255
    Subclass:0
    Protocol:0
    Number of Endpoints:0

```

## Determining USB Token Device Problems

Use the **show usb controllers** command to determine if there is a hardware problem with a USB flash module. If the **show usb controllers** command displays an error, the error indicates a hardware problem in the USB module.

You can also use the **show usb controllers** command to verify that copy operations onto a USB flash module are occurring successfully. Issuing the **show usb controllers** command after performing a file copy should display successful data transfers.

The following sample output for the **show usb controllers** command displays a working USB flash module:

```

Router# show usb controllers
Name:1362HCD
Controller ID:1

```



```

Controller Specific Information:
  Revision:0x11
  Control:0x80
  Command Status:0x0
  Hardware Interrupt Status:0x24
  Hardware Interrupt Enable:0x80000040
  Hardware Interrupt Disable:0x80000040
  Frame Interval:0x27782EDF
  Frame Remaining:0x13C1
  Frame Number:0xDA4C
  LSThreshold:0x628
  RhDescriptorA:0x19000202
  RhDescriptorB:0x0
  RhStatus:0x0
  RhPort1Status:0x100103
  RhPort2Status:0x100303
  Hardware Configuration:0x3029
  DMA Configuration:0x0
  Transfer Counter:0x1
  Interrupt:0x9
  Interrupt Enable:0x196
  Chip ID:0x3630
  Buffer Status:0x0
  Direct Address Length:0x80A00
  ATL Buffer Size:0x600
  ATL Buffer Port:0x0
  ATL Block Size:0x100
  ATL PTD Skip Map:0xFFFFFFFF
  ATL PTD Last:0x20
  ATL Current Active PTD:0x0
  ATL Threshold Count:0x1
  ATL Threshold Timeout:0xFF
Int Level:1
Transfer Completion Codes:
  Success          :920          CRC          :0
  Bit Stuff        :0           Stall         :0
  No Response      :0           Overrun       :0
  Underrun         :0           Other         :0
  Buffer Overrun    :0           Buffer Underrun :0
Transfer Errors:
  Canceled Transfers :2          Control Timeout :0
Transfer Failures:
  Interrupt Transfer :0          Bulk Transfer   :0
  Isochronous Transfer :0       Control Transfer:0
Transfer Successes:
  Interrupt Transfer :0          Bulk Transfer   :26
  Isochronous Transfer :0       Control Transfer:894
USB Failures:
  Enumeration Failures :0          No Class Driver Found:0
  Power Budget Exceeded:0
USB MSCD SCSI Class Driver Counters:
  Good Status Failures :3          Command Fail    :0
  Good Status Timed out:0          Device not Found:0
  Device Never Opened  :0          Drive Init Fail :0
  Illegal App Handle   :0          Bad API Command :0
  Invalid Unit Number  :0          Invalid Argument:0
  Application Overflow :0          Device in use   :0
  Control Pipe Stall   :0          Malloc Error    :0
  Device Stalled       :0          Bad Command Code:0
  Device Detached      :0          Unknown Error   :0
  Invalid Logic Unit Num:0
USB Aladdin Token Driver Counters:
  Token Inserted       :1          Token Removed   :0
  Send Insert Msg Fail :0          Response Txns   :434
  Dev Entry Add Fail   :0          Request Txns    :434
  Dev Entry Remove Fail:0          Request Txn Fail:0
  Response Txn Fail    :0          Command Txn Fail:0
  Txn Invalid Dev Handle:0
USB Flash File System Counters:
  Flash Disconnected   :0          Flash Connected :1
  Flash Device Fail    :0          Flash Ok        :1
  Flash startstop Fail :0          Flash FS Fail   :0
USB Secure Token File System Counters:

```

```

Token Inserted      :1           Token Detached   :0
Token FS success    :1           Token FS Fail    :0
Token Max Inserted :0           Create Talker Failures:0
Token Event         :0           Destroy Talker Failures:0
Watched Boolean Create Failures:0

```

## Displaying USB Token Information

Use the **dir** command with the **filesystem** keyword option **usbtoken0-9**: to display all files, directories, and their permission strings on the USB token.

The following sample output displays directory information for the USB token:

```

Device# dir usbtoken1:
Directory of usbtoken1:/
  2 d---          64 Dec 22 2032 05:23:40 +00:00 1000
  5 d---        4096 Dec 22 2032 05:23:40 +00:00 1001
  8 d---          0 Dec 22 2032 05:23:40 +00:00 1002
 10 d---          512 Dec 22 2032 05:23:42 +00:00 1003
 12 d---          0 Dec 22 2032 05:23:42 +00:00 5000
 13 d---          0 Dec 22 2032 05:23:42 +00:00 6000
 14 d---          0 Dec 22 2032 05:23:42 +00:00 7000
 15 ----          940 Jun 27 1992 12:50:42 +00:00 mystartup-config
 16 ----        1423 Jun 27 1992 12:51:14 +00:00 myrunning-config
32768 bytes total (858 bytes free)

```

The following sample output displays directory information for all devices to which the device is aware:

```

Device# dir all-fileSYSTEMS
Directory of archive:/
No files in directory
No space information available
Directory of system:/
  2 drwx          0 <no date> its
 115 dr-x         0 <no date> lib
 144 dr-x         0 <no date> memory
  1 -rw-        1906 <no date> running-config
 114 dr-x         0 <no date> vfiles
No space information available
Directory of flash:/
  1 -rw-        30125020 Dec 22 2032 03:06:04 +00:00 c3825-entservicesk9-mz.123-14.T
129880064 bytes total (99753984 bytes free)
Directory of nvram:/
 476 -rw-        1947 <no date> startup-config
 477 ----         46 <no date> private-config
 478 -rw-        1947 <no date> underlying-config
  1 -rw-          0 <no date> ifIndex-table
  2 ----          4 <no date> rf_cold_starts
  3 ----         14 <no date> persistent-data
491512 bytes total (486395 bytes free)
Directory of usbflash0:/
  1 -rw-        30125020 Dec 22 2032 05:31:32 +00:00 c3825-entservicesk9-mz.123-14.T
63158272 bytes total (33033216 bytes free)
Directory of usbtoken1:/
  2 d---          64 Dec 22 2032 05:23:40 +00:00 1000
  5 d---        4096 Dec 22 2032 05:23:40 +00:00 1001
  8 d---          0 Dec 22 2032 05:23:40 +00:00 1002
 10 d---          512 Dec 22 2032 05:23:42 +00:00 1003
 12 d---          0 Dec 22 2032 05:23:42 +00:00 5000
 13 d---          0 Dec 22 2032 05:23:42 +00:00 6000
 14 d---          0 Dec 22 2032 05:23:42 +00:00 7000
 15 ----          940 Jun 27 1992 12:50:42 +00:00 mystartup-config
 16 ----        1423 Jun 27 1992 12:51:14 +00:00 myrunning-config
32768 bytes total (858 bytes free)

```

# Configuration Examples for PKI Storage

## Example: Storing Certificates to a Specific Local Storage Location

The following configuration example shows how to store certificates to the certs subdirectory. The certs subdirectory does not exist and is automatically created.

```
Router# dir nvram:
 114 -rw-      4687          <no date> startup-config
 115 ----      5545          <no date> private-config
 116 -rw-      4687          <no date> underlying-config
   1 ----        34          <no date> persistent-data
   3 -rw-       707          <no date> ioscaroot#7401CA.cer
   9 -rw-       863          <no date> msca-root#826E.cer
  10 -rw-       759          <no date> msca-root#1BA8CA.cer
  11 -rw-       863          <no date> msca-root#75B8.cer
  24 -rw-      1149          <no date> storagename#6500CA.cer
  26 -rw-       863          <no date> msca-root#83EE.cer
129016 bytes total (92108 bytes free)
Router# configure terminal
Enter configuration commands, one per line. End with CNTL/Z.
Router(config)# crypto pki certificate storage disk0:/certs
Requested directory does not exist -- created
Certificates will be stored in disk0:/certs/
Router(config)# end
Router# write
*May 27 02:09:00:%SYS-5-CONFIG_I:Configured from console by consolemem
Building configuration...
[OK]
Router# directory disk0:/certs
Directory of disk0:/certs/
 14 -rw-       707 May 27 2005 02:09:02 +00:00 ioscaroot#7401CA.cer
 15 -rw-       863 May 27 2005 02:09:02 +00:00 msca-root#826E.cer
 16 -rw-       759 May 27 2005 02:09:02 +00:00 msca-root#1BA8CA.cer
 17 -rw-       863 May 27 2005 02:09:02 +00:00 msca-root#75B8.cer
 18 -rw-      1149 May 27 2005 02:09:02 +00:00 storagename#6500CA.cer
 19 -rw-       863 May 27 2005 02:09:02 +00:00 msca-root#83EE.cer
47894528 bytes total (20934656 bytes free)
! The certificate files are now on disk0/certs:
```

## Example: Logging Into a USB Token and Saving RSA Keys to the USB Token

The following configuration example shows how log in to the USB token, generate RSA keys, and store the RSA keys on the USB token:

```
! Configure the router to automatically log into the eToken
configure terminal
 crypto pki token default user-pin 0 1234567890
! Generate RSA keys and enroll certificates with the CA.
crypto pki trustpoint IOSCA
 enrollment url http://10.23.2.2
 exit
crypto ca authenticate IOSCA
Certificate has the following attributes:
  Fingerprint MD5:23272BD4 37E3D9A4 236F7E1A F534444E
  Fingerprint SHA1:D1B4D9F8 D603249A 793B3CAF 8342E1FE 3934EB7A
% Do you accept this certificate? [yes/no]:yes
Trustpoint CA certificate accepted.
crypto pki enroll
crypto pki enroll IOSCA
%
```

```

% Start certificate enrollment ..
% Create a challenge password. You will need to verbally provide this
  password to the CA Administrator in order to revoke your certificate.
  For security reasons your password will not be saved in the configuration.
  Please make a note of it.
Password:
Re-enter password:
% The subject name in the certificate will include:c2851-27.cisco.com
% Include the router serial number in the subject name? [yes/no]:no
% Include an IP address in the subject name? [no]:no
Request certificate from CA? [yes/no]:yes
% Certificate request sent to Certificate Authority
% The 'show crypto ca certificate IOSCA verbose' command will show the fingerprint.
*Jan 13 06:47:19.413:CRYPTO_PKI: Certificate Request Fingerprint MD5:E6DDAB1B
  0E30EFE6 54529D8A DA787DBA
*Jan 13 06:47:19.413:CRYPTO_PKI: Certificate Request Fingerprint SHA1:3B0F33B
  7 57C02A10 3935042B C4B6CD3D 61039251
*Jan 13 06:47:21.021:%PKI-6-CERTRET:Certificate received from Certificate Authority
! Issue the write memory command, which will automatically save the RSA keys to the eToken
! instead of private NVRAM.
Router# write memory
Building configuration...
[OK]
*Jan 13 06:47:29.481:%CRYPTO-6-TOKENSTOREKEY:Key c2851-27.cisco.com stored on
Cryptographic Token eToken Successfully

```

The following sample output from the **show crypto key mypubkey rsa** command displays stored credentials after they are successfully loaded from the USB token. Credentials that are stored on the USB token are in the protected area. When storing the credentials on the USB token, the files are stored in a directory called /keystore. However, the key files are hidden from the command-line interface (CLI).

```

Router#
show crypto key mypubkey rsa
% Key pair was generated at:06:37:26 UTC Jan 13 2005
Key name:c2851-27.cisco.com
Usage:General Purpose Key
Key is not exportable.
Key Data:
 305C300D 06092A86 4886F70D 01010105 00034B00 30480241 00E3C644 43AA7DDD
 732E0F4E 3CA0CDAB 387ABF05 EB8F22F2 2431F1AE 5D51FEE3 FCDEA934 7FBD3603
 7C977854 B8E999BF 7FC93021 7F46ABF8 A4BA2ED6 172D3D09 B5020301 0001
% Key pair was generated at:06:37:27 UTC Jan 13 2005
Key name:c2851-27.cisco.com.server
Usage:Encryption Key
Key is not exportable.
Key Data:
 307C300D 06092A86 4886F70D 01010105 00036B00 30680261 00DD96AE 4BF912EB
 2C261922 4784EF98 2E70E837 774B3778 7F7AEB2D 87F5669B BF5DDFBC F0D521A5
 56AB8FDC 9911968E DE347FB0 A514A856 B30EAFF4 D1F453E1 003CFE65 0CCC6DC7
 21FBE3AC 2F8DEA16 126754BC 1433DEF9 53266D33 E7338C95 BB020301 0001

```

## Additional References

### Related Documents

Related Topic	Document Title
Connecting the USB modules to the router	<a href="#">Cisco Access Router USB Flash Module and USB eToken Hardware Installation Guide</a>
eToken and USB flash data sheet	<a href="#">USB eToken and USB Flash Features Support</a>
RSA keys	<a href="#">Deploying RSA Keys Within a PKI</a>

Related Topic	Document Title
File management (loading, copying, and rebooting files)	<i>Cisco Configuration Fundamentals Configuration Guide</i> on Cisco.com
USB Token RSA Operations: Certificate server configuration	“Configuring and Managing a Cisco IOS Certificate Server for PKI Deployment” feature document. See the “Generating a Certificate Server RSA Key Pair” section, the “Configuring a Certificate Server Trustpoint” section, and related examples.
USB Token RSA Operations: Using USB tokens for RSA operations upon initial autoenrollment	See the “Configuring Certificate Enrollment or Autoenrollment” section of the “Configuring Certificate Enrollment for a PKI ” feature document.
SDP setup, configuration and use with USB tokens	See the feature information section for the feature names on using SDP and USB tokens to deploy PKI credentials in the “Setting Up Secure Device Provisioning (SDP) for Enrollment in a PKI” feature document.

#### Technical Assistance

Description	Link
The Cisco Support and Documentation website provides online resources to download documentation, software, and tools. Use these resources to install and configure the software and to troubleshoot and resolve technical issues with Cisco products and technologies. Access to most tools on the Cisco Support and Documentation website requires a Cisco.com user ID and password.	<a href="http://www.cisco.com/cisco/web/support/index.html">http://www.cisco.com/cisco/web/support/index.html</a>

## Feature Information for Storing PKI Credentials

The following table provides release information about the feature or features described in this module. This table lists only the software release that introduced support for a given feature in a given software release train. Unless noted otherwise, subsequent releases of that software release train also support that feature.

Use Cisco Feature Navigator to find information about platform support and Cisco software image support. To access Cisco Feature Navigator, go to [www.cisco.com/go/cfn](http://www.cisco.com/go/cfn). An account on Cisco.com is not required.

Table 11: Feature Information for Storing PKI Credentials

Feature Name	Releases	Feature Information
Certificate -- Storage Location Specification	Cisco IOS XE Release 2.1	<p>This feature allows you to specify the storage location of local certificates for platforms that support storing certificates as separate files. All Cisco platforms support NVRAM, which is the default location, and flash local storage. Depending on your platform, you may have other supported local storage options including bootflash, slot, disk, USB flash, or USB token.</p> <p>The following commands were introduced by this feature: <b>crypto pki certificate storage</b>, <b>show crypto pki certificates storage</b>.</p>
RSA 4096-bit Key Generation in Software Crypto Engine Support	15.1(1)T	<p>The range value for the <b>modulus</b> keyword value for the <b>crypto key generate rsa</b> command is extended from 360 to 2048 bits to 360 to 4096 bits.</p>

Feature Name	Releases	Feature Information
USB eToken 64KB Smart Card Support	Cisco IOS XE Release 3.6S	<p>This feature allows USB eToken 64 KB smart card support for RSA key and certificate storage location. USB tokens provide secure configuration distribution, RSA operations such as on-token key generation, signing, and authentication, and the storage of Virtual Private Network (VPN) credentials for deployment.</p> <p>The following commands were introduced by this feature: <b>binary file</b>, <b>crypto key move rsa</b>, <b>crypto key storage</b>, <b>crypto pki token change-pin</b>, <b>crypto pki token encrypted-user-pin</b>, <b>crypto pki token label</b>, <b>crypto pki token lock</b>, <b>crypto pki token login</b>, <b>crypto pki token logout</b>, <b>crypto pki token max-retries</b>, <b>crypto pki token removal timeout</b>, <b>crypto pki token secondary config</b>, <b>crypto pki token unlock</b>, <b>crypto pki token user-pin</b>, <b>show usb-devices summary</b>, <b>show usb driver</b>, <b>show usbtokens</b>, <b>template file</b>.</p>







## CHAPTER 9

# Source Interface Selection for Outgoing Traffic with Certificate Authority

---

The Source Interface Selection for Outgoing Traffic with Certificate Authority feature allows you to specify that the address of an interface be used as the source address for all outgoing TCP connections associated with that trustpoint when a designated trustpoint has been configured.

- [Finding Feature Information](#), page 205
- [Information About Source Interface Selection for Outgoing Traffic with Certificate Authority](#), page 206
- [How to Configure Source Interface Selection for Outgoing Traffic with Certificate Authority](#), page 207
- [Configuration Examples for Source Interface Selection for Outgoing Traffic with Certificate Authority](#), page 209
- [Additional References](#), page 210
- [Feature Information for Source Interface Selection for Outgoing Traffic with Certificate Authority](#), page 211
- [Glossary](#), page 212

## Finding Feature Information

Your software release may not support all the features documented in this module. For the latest caveats and feature information, see [Bug Search Tool](#) and the release notes for your platform and software release. To find information about the features documented in this module, and to see a list of the releases in which each feature is supported, see the feature information table.

Use Cisco Feature Navigator to find information about platform support and Cisco software image support. To access Cisco Feature Navigator, go to [www.cisco.com/go/cfn](http://www.cisco.com/go/cfn). An account on Cisco.com is not required.

# Information About Source Interface Selection for Outgoing Traffic with Certificate Authority

## Certificates That Identify an Entity

Certificates can be used to identify an entity. A trusted server, known as the certification authority (CA), issues the certificate to the entity after determining the identity of the entity. A router that is running Cisco IOS XE software obtains its certificate by making a network connection to the CA. Using the Simple Certificate Enrollment Protocol (SCEP), the router transmits its certificate request to the CA and receives the granted certificate. The router obtains the certificate of the CA in the same manner using SCEP. When validating a certificate from a remote device, the router may again contact the CA or a Lightweight Directory Access Protocol (LDAP) or HTTP server to determine whether the certificate of the remote device has been revoked. (This process is known as checking the certificate revocation list [CRL].)

**Note**

Depending on your Cisco IOS release, LDAP is supported.

In some configurations, the router may make the outgoing TCP connection using an interface that does not have a valid or routable IP address. The user must specify that the address of a different interface be used as the source IP address for the outgoing connection. Cable modems are a specific example of this requirement because the outgoing cable interface (the RF interface) usually does not have a routable address. However, the user interface (usually FastEthernet) does have a valid IP address.

## Source Interface for Outgoing TCP Connections Associated with a Trustpoint

The **crypto pki trustpoint** command is used to specify a trustpoint. The **source interface** command is used along with the **crypto pki trustpoint** command to specify the address of the interface that is to be used as the source address for all outgoing TCP connections associated with that trustpoint.

**Note**

If the interface address is not specified using the **source interface** command, the address of the outgoing interface is used.

# How to Configure Source Interface Selection for Outgoing Traffic with Certificate Authority

## Configuring the Interface for All Outgoing TCP Connections Associated with a Trustpoint

Perform this task to configure the interface that you want to use as the source address for all outgoing TCP connections associated with a trustpoint.

### SUMMARY STEPS

1. **enable**
2. **configure terminal**
3. **crypto pki trustpoint** *name*
4. **enrollment url** *url*
5. **source interface** *interface-address*
6. **interface** *type slot / port*
7. **description** *string*
8. **ip address** *ip-address mask*
9. **interface** *type slot / port*
10. **description** *string*
11. **ip address** *ip-address mask*
12. **crypto map** *map-name*

### DETAILED STEPS

	Command or Action	Purpose
Step 1	<b>enable</b>  <b>Example:</b> Router> enable	Enables privileged EXEC mode.  <ul style="list-style-type: none"> <li>• Enter your password if prompted.</li> </ul>
Step 2	<b>configure terminal</b>  <b>Example:</b> Router# configure terminal	Enters global configuration mode.

	Command or Action	Purpose
<b>Step 3</b>	<b>crypto pki trustpoint</b> <i>name</i>  <b>Example:</b> Router (config)# crypto pki trustpoint ms-ca	Declares the Certificate Authority (CA) that your router should use and enters ca-trustpoint configuration mode.
<b>Step 4</b>	<b>enrollment url</b> <i>url</i>  <b>Example:</b> Router (ca-trustpoint)# enrollment url http://yourname:80/certsrv/mscep/mscep.dll	Specifies the enrollment parameters of your CA.
<b>Step 5</b>	<b>source interface</b> <i>interface-address</i>  <b>Example:</b> Router (ca-trustpoint)# interface fastethernet1/0	Interface to be used as the source address for all outgoing TCP connections associated with that trustpoint.
<b>Step 6</b>	<b>interface</b> <i>type slot / port</i>  <b>Example:</b> Router (ca-trustpoint)# interface fastethernet1/0	Configures an interface type and enters interface configuration mode.
<b>Step 7</b>	<b>description</b> <i>string</i>  <b>Example:</b> Router (config-if)# description inside interface	Adds a description to an interface configuration.
<b>Step 8</b>	<b>ip address</b> <i>ip-address mask</i>  <b>Example:</b> Router (config-if)# ip address 10.1.1.1 255.255.255.0	Sets a primary or secondary IP address for an interface.
<b>Step 9</b>	<b>interface</b> <i>type slot / port</i>  <b>Example:</b> Router (config-if)# interface fastethernet1/0	Configures an interface type.
<b>Step 10</b>	<b>description</b> <i>string</i>  <b>Example:</b> Router (config-if)# description outside interface 10.1.1.205 255.255.255.0	Adds a description to an interface configuration.

	Command or Action	Purpose
<b>Step 11</b>	<b>ip address</b> <i>ip-address mask</i>  <b>Example:</b>  <pre>Router (config-if)# ip address 10.2.2.205 255.255.255.0</pre>	Sets a primary or secondary IP address for an interface.
<b>Step 12</b>	<b>crypto map</b> <i>map-name</i>  <b>Example:</b>  <pre>Router (config-if)# crypto map mymap</pre>	Applies a previously defined crypto map set to an interface.

## Troubleshooting Tips

Ensure that the interface specified in the command has a valid address. Attempt to ping the router using the address of the specified interface from another device (possibly the HTTP or LDAP server that is serving the CRL). You can do the same thing by using a traceroute to the router from the external device.

You can also test connectivity between the router and the CA or LDAP server by using Cisco IOS XE command-line interface (CLI). Enter the **ping ip** command and respond to the prompts. If you answer “yes” to the “Extended commands [n]:” prompt, you will be able to specify the source address or interface.

In addition, you can use Cisco IOS XE CLI to input a traceroute command. If you enter the **traceroute ip** command (in EXEC mode), you will be prompted for the destination and source address. You should specify the CA or LDAP server as the destination and the address of the interface that you specified in the “source interface” as the source address.

# Configuration Examples for Source Interface Selection for Outgoing Traffic with Certificate Authority

## Source Interface Selection for Outgoing Traffic with Certificate Authority Example

In the following example, the router is located in a branch office. The router uses IP Security (IPSec) to communicate with the main office. FastEthernet 1 is the “outside” interface that connects to the Internet Service Provider (ISP). FastEthernet 0 is the interface connected to the LAN of the branch office. To access the CA server located in the main office, the router must send its IP datagrams out interface FastEthernet 1 (address 10.2.2.205) using the IPSec tunnel. Address 10.2.2.205 is assigned by the ISP. Address 10.2.2.205 is not a part of the branch office or main office.

The CA cannot access any address outside the company because of a firewall. The CA sees a message coming from 10.2.2.205 and cannot respond (that is, the CA does not know that the router is located in a branch office at address 10.1.1.1, which it is able to reach).

Adding the **source interface** command tells the router to use address 10.1.1.1 as the source address of the IP datagram that it sends to the CA. The CA is able to respond to 10.1.1.1.

This scenario is configured using the **source interface** command and the interface addresses as described above.

```
crypto pki trustpoint ms-ca
  enrollment url http://ms-ca:80/certsrv/mscep/mscep.dll
  source interface fastethernet0
!
interface fastethernet 0
  description inside interface
  ip address 10.1.1.1 255.255.255.0
!
interface fastethernet 1
  description outside interface
  ip address 10.2.2.205 255.255.255.0
  crypto map main-office
```

## Additional References

The following sections provide references related to the Source Interface Selection for Outgoing Traffic with Certificate Authority feature.

### Related Documents

Related Topic	Document Title
Configuring IPsec and certification authority	Security for VPNs with IPsec
IPsec and certification authority commands	<i>Cisco IOS Security Command Reference</i>

### Standards

Standards	Title
No new or modified standards are supported by this feature.	-

### MIBs

MIBs	MIBs Link
No new or modified MIBs are supported by this feature.	To locate and download MIBs for selected platforms, Cisco IOS XE software releases, and feature sets, use Cisco MIB Locator found at the following URL:  <a href="http://www.cisco.com/go/mibs">http://www.cisco.com/go/mibs</a>

**RFCs**

<b>RFCs</b>	<b>Title</b>
No new or modified RFCs are supported by this feature.	-

**Technical Assistance**

<b>Description</b>	<b>Link</b>
<p>The Cisco Support website provides extensive online resources, including documentation and tools for troubleshooting and resolving technical issues with Cisco products and technologies.</p> <p>To receive security and technical information about your products, you can subscribe to various services, such as the Product Alert Tool (accessed from Field Notices), the Cisco Technical Services Newsletter, and Really Simple Syndication (RSS) Feeds.</p> <p>Access to most tools on the Cisco Support website requires a Cisco.com user ID and password.</p>	<a href="http://www.cisco.com/techsupport">http://www.cisco.com/techsupport</a>

## Feature Information for Source Interface Selection for Outgoing Traffic with Certificate Authority

The following table provides release information about the feature or features described in this module. This table lists only the software release that introduced support for a given feature in a given software release train. Unless noted otherwise, subsequent releases of that software release train also support that feature.

Use Cisco Feature Navigator to find information about platform support and Cisco software image support. To access Cisco Feature Navigator, go to [www.cisco.com/go/cfn](http://www.cisco.com/go/cfn). An account on Cisco.com is not required.

**Table 12: Feature Information for Source Interface Selection for Outgoing Traffic with Certificate Authority**

Feature Name	Releases	Feature Information
Source Interface Selection for Outgoing Traffic with Certificate Authority.	Cisco IOS XE Release 2.1	This feature allows you to specify that the address of an interface be used as the source address for all outgoing TCP connections associated with that trustpoint when a designated trustpoint has been configured.  The following command was introduced: <b>source interface</b> .

## Glossary

**authenticate**--To prove the identity of an entity using the certificate of an identity and a secret that the identity poses (usually the private key corresponding to the public key in the certificate).

**CA** --Certificate Authority. A CA is an entity that issues digital certificates (especially X.509 certificates) and vouches for the binding between the data items in a certificate.

**CA authentication** --The user manually approves a certificate from a root CA. Usually a fingerprint of the certificate is presented to the user, and the user is asked to accept the certificate based on the fingerprint. The certificate of a root CA is signed by itself (self-signed) so that it cannot be automatically authenticated using the normal certificate verification process.

**CRL** --certificate revocation list. A CRL is a data structure that enumerates digital certificates that have been invalidated by their issuer prior to when they were scheduled to expire.

**enrollment** --A router receives its certificate via the enrollment process. The router generates a request for a certificate in a specific format (known as PKCS #10). The request is transmitted to a CA, which grants the request and generates a certificate encoded in the same format as the request. The router receives the granted certificate and stores it in an internal database for use during normal operations.

**certificate** --A data structure defined in International Organization for Standardization (ISO) standard X.509 to associate an entity (machine or human) with the public key of that entity. The certificate contains specific fields, including the name of the entity. The certificate is normally issued by a CA on behalf of the entity. In this case the router will act as its own CA. Common fields within a certificate include the distinguished name (DN) of the entity, the DN of the authority issuing the certificate, and the public key of the entity.

**LDAP** --Lightweight Directory Access Protocol. A LDAP is a protocol that provides access for management and browser applications that provide read-and-write interactive access to the X.500 directory.





## PKI Trustpool Management

The PKI Trustpool Management feature is used to authenticate sessions, such as HTTPS, that occur between devices by using commonly recognized trusted agents called certificate authorities (CAs). This feature, which is enabled by default, is used to create a scheme to provision, store, and manage a pool of certificates from known CAs in a way similar to the services a browser provides for securing sessions.



### Note

Effective with Cisco IOS XE Denali 16.3, the way PKI Trustpools are managed have changed. If you are planning to upgrade to this release, please review the changes to the feature captured below as part of *PKI Trustpool Enhancements* section.

- [Finding Feature Information](#), page 213
- [Prerequisites for PKI Trustpool Management](#), page 214
- [Restrictions for PKI Trustpool Management](#), page 214
- [Information About PKI Trustpool Management](#), page 214
- [How to Configure PKI Trustpool Management](#), page 216
- [Configuration examples for PKI Trustpool Management](#), page 222
- [Additional References for PKI Trustpool Management](#), page 227
- [Feature Information for PKI Trustpool Management](#), page 227

## Finding Feature Information

Your software release may not support all the features documented in this module. For the latest caveats and feature information, see [Bug Search Tool](#) and the release notes for your platform and software release. To find information about the features documented in this module, and to see a list of the releases in which each feature is supported, see the feature information table.

Use Cisco Feature Navigator to find information about platform support and Cisco software image support. To access Cisco Feature Navigator, go to [www.cisco.com/go/cfn](http://www.cisco.com/go/cfn). An account on Cisco.com is not required.

# Prerequisites for PKI Trustpool Management

The use of certificates requires that a crypto subsystem is included in the Cisco IOS software image.

## Restrictions for PKI Trustpool Management

Device certificates that use CA certificates cannot be enrolled in a PKI trustpool.

A bundle cannot have two certificates with the same issuer-name and subject-name pair.

# Information About PKI Trustpool Management

## CA Certificate Storage in a PKI Trustpool

The router uses a built-in CA certificate bundle that is contained in a special certificate store called a PKI trustpool, which is updated automatically from Cisco. This PKI trustpool is known by Cisco and other vendors. A CA certificate bundle can be in the following formats:

- X.509 certificates in Distinguished Encoding Rules (DER) binary format enveloped within a public-key cryptographic message syntax standard 7 (pkcs7), which is used to sign and encrypt messages under a PKI. An X.509 certificate is a PKI and Privilege Management Infrastructure (PMI) standard that specifies, among other things, standard formats for public key certificates, certificate revocation lists, attribute certificates, and a certification path validation algorithm.
- A file containing concatenated X.509 certificates in Privacy Enhanced Mail (PEM) format with PEM headers.

**Note**

---

Flash can also be used as the storage location for the bundles instead of NVRAM.

---

## PKI Trustpool Updating

The PKI trustpool is treated as a single entity that needs to be updated when the following conditions occur:

- A certificate in the PKI trustpool is due to expire or has been reissued.
- The published CA certificate bundle contains additional trusted certificates that are needed by a given application.
- The configuration has been corrupted.

**Note**

A built-in certificate in the PKI trustpool cannot be physically replaced. However, a built-in certificate is rendered inactive after an update if its X.509 subject-name attribute matches the certificate in the CA certificate bundle.

The PKI trustpool can be updated automatically or manually. The PKI trustpool may be used by certificate validation depending upon the application using it. See the "Manually Updating Certificates in the PKI Trustpool" and "Configuring Optional PKI Trustpool Policy Parameters" sections for more information.

**Note**

During auto-update all the existing downloaded trustpool certificates must be deleted.

The PKI trustpool timer matches the CA certificate with the earliest expiration time. If the timer is running and a bundle location is not configured and not explicitly disabled, syslog warnings are issued to alert the administrator that the PKI trustpool policy option is not set.

Automatic PKI trustpool updates use the configured URL.

When the PKI trustpool expires, the policy is read, the bundle is loaded, and the PKI trustpool is replaced. If the automatic PKI trustpool update encounters problems when initiating, then the following schedule is used to initiate the update until the download is successful: 20 days, 15 days, 10 days, 5 days, 4 days, 3 days, 2 days, 1 day, and then once every hour.

## CA Handling in Both PKI Trustpool and Trustpoint

There may be circumstances where a CA resides in both PKI trustpool and trustpoint; for example, a trustpoint uses a CA and a CA bundle is downloaded later with the same CA inside. In this scenario, the CA in the trustpoint and the policy of this trustpoint is considered before the CA in the PKI trustpool or PKI trustpool policy to ensure that any current behavior is not altered when the PKI Trustpool Management feature is implemented on the router.

## PKI Trustpool Enhancements

In releases earlier than Cisco IOS XE Denali 16.3, the trustpool consists of built-in certificates deployed with every Cisco box and downloaded CA certificates from published bundles. The downloaded certificates are saved in NVRAM, by default. The certificates from the downloaded trustpool bundle would be extracted and stored in the running configuration which was inefficient and utilized too much space.

From Cisco IOS XE Denali 16.3, the PKI trustpool enhancements stores the bundles in the same downloaded bundle format as one file in the storage location (default is NVRAM) instead of individual certificates like in the previous releases. This helps in saving storage memory as the file is in compressed format. Also, the certificates are not displayed individually in the running configuration. On every reboot the bundles are read from the storage location and individual certificates are installed in the database.

This feature removes the current downloaded certificates from the running configuration. The **crypto pki certificate pool** will not have the DER format certificates because these certificates are incompatible with the old NVRAM file and the new images. During upgrade, the trustpool certificates in DER format are lost and the bundles must be reinstalled again in the storage. This is indicated by a syslog during reboot in case of old NVRAM files. The **show crypto pki trustpool** command indicates that the configuration has been

removed. Before you upgrade, use the **show crypto pki trustpool** command to verify that the certificates are available.

The following steps must be followed before upgrading to Cisco IOS XE Denali 16.3 :

- Remove the downloaded trustpool certificates using the **crypto pki trustpool clean** command
- Use the **write memory** command
- Reboot the device
- Download the trustpool bundles using the **crypto pki trustpool import url** command

If you are using trustpool certificates to log into SSH, then you need to follow additional steps to transfer that specific certificate from bundle to a trustpoint. See *Example: Using PKI Trustpool for SSH Connection During Upgrade* for more information.

## How to Configure PKI Trustpool Management

### Manually Updating Certificates in the PKI Trustpool

The PKI Trustpool Management feature is enabled by default and uses the built-in CA certificate bundle in the PKI trustpool, which receives automatic updates from Cisco. Perform this task to manually update certificates in the PKI trustpool if they are not current, are corrupt, or if certain certificates need to be updated.

#### SUMMARY STEPS

1. **enable**
2. **configure terminal**
3. **crypto pki trustpool import clean [terminal | url *url*]**
4. **crypto pki trustpool import {terminal} {url *url* | ca-bundle} {vrf *vrf-name* | source interface *interface-name*}**
5. **exit**
6. **show crypto pki trustpool**
7. **show crypto pki trustpool built-in**
8. **show crypto pki trustpool policy**

#### DETAILED STEPS

	Command or Action	Purpose
<b>Step 1</b>	<b>enable</b>  <b>Example:</b> Device> enable	Enables privileged EXEC mode. <ul style="list-style-type: none"> <li>• Enter your password if prompted.</li> </ul>

	Command or Action	Purpose
<b>Step 2</b>	<p><b>configure terminal</b></p> <p><b>Example:</b></p> <pre>Device# configure terminal</pre>	Enters global configuration mode.
<b>Step 3</b>	<p><b>crypto pki trustpool import clean [terminal   url url]</b></p> <p><b>Example:</b></p> <pre>Device(config)# crypto pki trustpool import clean</pre>	<p>(Optional) Manually removes all downloaded PKI CA certificates.</p> <ul style="list-style-type: none"> <li>• The <b>clean</b> keyword specifies the removal of the downloaded PKI trustpool certificates before the new certificates are downloaded.</li> <li>• The <b>terminal</b> keyword removes the existing CA certificate bundle terminal setting.</li> <li>• The <b>url</b> keyword and <i>url</i> argument removes the existing URL file system setting.</li> </ul>
<b>Step 4</b>	<p><b>crypto pki trustpool import {terminal} {url url   ca-bundle} {vrf vrf-name   source interface interface-name}</b></p> <p><b>Example:</b></p> <pre>Device(config)# crypto pki trustpool import url http://www.cisco.com/security/pki/trs/ios.p7b</pre>	<p>Manually imports (downloads) the CA certificate bundle into the PKI trustpool to update or replace the existing CA certificate bundle.</p> <ul style="list-style-type: none"> <li>• The <b>terminal</b> keyword specifies the importation of a CA certificate bundle through the terminal (cut-and-paste) in PEM format.</li> <li>• The <b>url</b> keyword with the <i>url</i> argument specifies the importation of a CA certificate bundle through a URL. This URL can be through a variety of URL file systems such as HTTP. See the <i>PKI Trustpool Updating</i> section for more information. In CA bundle, you can use the <b>crypto pki trustpool import</b> command to pass the traffic through global VRF. Also, the traffic will not divert through a VRF, when you configure the <b>crypto pki trustpool policy</b> command specifying the VRF and source interface.</li> </ul>
<b>Step 5</b>	<p><b>exit</b></p> <p><b>Example:</b></p> <pre>Device(config)# exit</pre>	Exits global configuration mode.
<b>Step 6</b>	<p><b>show crypto pki trustpool</b></p> <p><b>Example:</b></p> <pre>Device(config)# show crypto pki trustpool</pre>	Displays the PKI trustpool certificates of the router in a verbose format.

	Command or Action	Purpose
<b>Step 7</b>	<b>show crypto pki trustpool built-in</b>  <b>Example:</b> Device(config)# show crypto pki trustpool built-in	Displays the built-in PKI trustpool certificates of the router in a verbose format.
<b>Step 8</b>	<b>show crypto pki trustpool policy</b>  <b>Example:</b> Device(config)# show crypto pki trustpool policy	

## Configuring Optional PKI Trustpool Policy Parameters

### SUMMARY STEPS

1. **enable**
2. **configure terminal**
3. **crypto pki trustpool policy**
4. **cabundle url** {url | none}
5. **chain-validation**
6. **crl** {cache {delete-after {minutes | none} | query url}}
7. **default** command-name
8. **match certificate** certificate-map-name [allow expired-certificate | override {cdp directory ldap-location | obsp {number url url} trustpool name number url url} | sia number url} | skip [revocation-check | authorization-check]]
9. **ocsp** {disable-nonce | url url}
10. **revocation-check** method1 [method2 [method3]]
11. **source interface** name number
12. **storage** location
13. **vrf** vrf-name
14. **show**

### DETAILED STEPS

	Command or Action	Purpose
<b>Step 1</b>	<b>enable</b>	Enables privileged EXEC mode.

	Command or Action	Purpose
	<p><b>Example:</b></p> <pre>Device&gt; enable</pre>	<ul style="list-style-type: none"> <li>• Enter your password if prompted.</li> </ul>
<b>Step 2</b>	<p><b>configure terminal</b></p> <p><b>Example:</b></p> <pre>Device# configure terminal</pre>	Enters global configuration mode.
<b>Step 3</b>	<p><b>crypto pki trustpool policy</b></p> <p><b>Example:</b></p> <pre>Device(config)# crypto pki trustpool policy Device(ca-trustpool)#</pre>	Enters ca-trustpool configuration mode where commands can be accessed to configure CA PKI trustpool policy parameters. The trustpool policy only affects the crl retrieval process and has no effect on trustpool import process.
<b>Step 4</b>	<p><b>cabundle url {url   none}</b></p> <p><b>Example:</b></p> <pre>Device(ca-trustpool)# cabundle url http://www.cisco.com/security/pki/crl/crca2048.crl</pre>	<p>Specifies the URL from which the PKI trustpool certificate authority CA certificate bundle is downloaded .</p> <ul style="list-style-type: none"> <li>• The <i>url</i> argument is the URL of the CA certificate bundle.</li> <li>• The <b>none</b> keyword specifies that autoupdates of the PKI trustpool CA are not permitted.</li> </ul>
<b>Step 5</b>	<p><b>chain-validation</b></p> <p><b>Example:</b></p> <pre>Device(ca-trustpool)# chain-validation</pre>	Enables chain validation from the peer's certificate to the root CA certificate in the PKI trustpool. The default has validation stopping at the peer certificate's issuer.
<b>Step 6</b>	<p><b>crl {cache {delete-after {minutes   none}   query url}</b></p> <p><b>Example:</b></p> <pre>Device(ca-trustpool)# crl query http://www.cisco.com/security/pki/crl/crca2048.crl</pre>	<p>Specifies the certificate revocation list (CRL) query and CRL cache options for the PKI trustpool.</p> <ul style="list-style-type: none"> <li>• The <b>cache</b> keyword specifies CRL cache options.</li> <li>• The <b>delete-after</b> keyword removes the CRL from the cache after a timeout.</li> <li>• The <i>minutes</i> argument is the number of minutes from 1 to 43,200 to wait before deleting the CRL from the cache.</li> <li>• The <b>none</b> keyword specifies that CRLs are not cached.</li> <li>• The <b>query</b> keyword with the <i>url</i> argument specifies the URL published by the CA server to query the CRL.</li> </ul>

	Command or Action	Purpose
Step 7	<p><b>default</b> <i>command-name</i></p> <p><b>Example:</b></p> <pre>Device(ca-trustpool)# default crl query http://www.cisco.com/security/pki/crl/crca2048.crl</pre>	<p>Resets the value of a ca-trustpool configuration subcommand to its default .</p> <ul style="list-style-type: none"> <li>The <i>command-name</i> argument is the ca-trustpool configuration mode command with its applicable keywords.</li> </ul>
Step 8	<p><b>match certificate</b> <i>certificate-map-name</i> [<b>allow</b> <b>expired-certificate</b>   <b>override</b> {<b>cdp directory</b> <i>ldap-location</i>   <b>ocsp</b> {<i>number url url</i>   <b>trustpool name number url url</b>}   <b>sia number url</b>}   <b>skip</b> [<b>revocation-check</b>   <b>authorization-check</b>]</p> <p><b>Example:</b></p> <pre>match certificate mycert override ocsp 1 url http://ocspts.identrust.com</pre>	<p>Enables the use of certificate maps for the PKI trustpool.</p> <ul style="list-style-type: none"> <li>The <i>certificate-map-name</i> argument matches the certificate map name.</li> <li>The optional <b>allow expired-certificate</b> keyword ignores expired certificates. <ul style="list-style-type: none"> <li><b>Note</b> If this keyword is not configured, the router does not ignore expired certificates.</li> </ul> </li> <li>The <b>override</b> keyword overrides the online certificate status protocol (OCSP) or SubjectInfoAccess (SIA) attribute fields in a certificate that is in the PKI trustpool.</li> <li>The <b>cdp</b> keyword overrides the certificate distribution point (CDP) in a certificate.</li> <li>The <b>directory</b> keyword and <i>ldap-location</i> specifies the CDP in either the http: or ldap: URL, or LDAP directory to override in the certificate.</li> <li>The <b>ocsp</b> keyword and <i>number</i> argument and <b>url</b> keyword and <i>url</i> argument specifies the OCSP sequence number from 0 to 10000 and URL to override in the certificate.</li> <li>The <b>trustpool</b> keyword and <i>name</i> and <i>number</i> arguments with the <b>url</b> keyword and <i>url</i> argument override the PKI trustpool for verifying the OCSP certificate by specifying the PKI trustpool name, sequence number, and URL.</li> <li>The <b>sia</b> keyword and <i>number</i> and <i>url</i> arguments override the SIA URL in a certificate by specifying the SIA sequence number and URL.</li> <li>The optional <b>skip revocation-check</b> keyword combination allows the PKI trustpool to enforce certificate revocation lists (CRLs) except for specific certificates. <ul style="list-style-type: none"> <li><b>Note</b> If this keyword combination is not configured, then the PKI trustpool enforces CRLs for all certificates.</li> </ul> </li> <li>The optional <b>skip authorization-check</b> keyword combination skips the authentication, authorization, and accounting (AAA) check of a certificate when public key</li> </ul>



	Command or Action	Purpose
		<p>infrastructure (PKI) integration with an AAA server is configured.</p> <p><b>Note</b> If this keyword combination is not configured, and PKI integration with an AAA server is configured, then the AAA checking of a certificate is done.</p>
<b>Step 9</b>	<p><b>ocsp</b> {<b>disable-nonce</b>   <b>url</b> <i>url</i>}</p> <p><b>Example:</b></p> <pre>Device(ca-trustpool)# ocsp url http://ocspts.identrust.com</pre>	<p>Specifies OCSF settings for the PKI trustpool.</p> <ul style="list-style-type: none"> <li>• The <b>disable-nonce</b> keyword disables the OCSF Nonce extension.</li> <li>• The <b>url</b> keyword and <i>url</i> argument specify the OCSF server URL to override (if one exists) in the Authority Info Access (AIA) extension of the certificate. All certificates associated with a configured PKI trustpool are checked by the OCSF server at the specified HTTP URL. The URL can be a hostname, IPv4 address, or an IPv6 address.</li> </ul>
<b>Step 10</b>	<p><b>revocation-check</b> <i>method1</i> [<i>method2</i> [<i>method3</i>]]</p> <p><b>Example:</b></p> <pre>Device(ca-trustpool)# revocation-check ocsp crl none</pre>	<p>Disables revocation checking when the PKI trustpool policy is being used. The <i>method</i> argument is used by the router to check the revocation status of the certificate. Available keywords are as follows:</p> <ul style="list-style-type: none"> <li>• The <b>crl</b> keyword performs certificate checking by a certificate revocation list (CRL). This is the default behavior.</li> <li>• The <b>none</b> keyword does not require a certificate checking.</li> <li>• The <b>ocsp</b> keyword performs certificate checking by an online certificate status protocol (OCSF) server.</li> </ul> <p>If a second and third method are specified, each method is used only if the previous method returns an error, such as a server being down.</p>
<b>Step 11</b>	<p><b>source interface</b> <i>name number</i></p> <p><b>Example:</b></p> <pre>Device(ca-trustpool)# source interface tunnel 1</pre>	<p>Specifies the source interface to be used for CRL retrieval, OCSF status, or the downloading of a CA certificate bundle for the PKI trustpool .</p> <ul style="list-style-type: none"> <li>• The <i>name</i> and <i>number</i> arguments are for the interface type and number used as the source address for the PKI trustpool.</li> </ul>
<b>Step 12</b>	<p><b>storage</b> <i>location</i></p> <p><b>Example:</b></p> <pre>Device(ca-trustpool)# storage storage disk0:crca2048.crl</pre>	<p>Specifies a file system location where PKI trustpool certificates are stored on the router.</p> <ul style="list-style-type: none"> <li>• The <i>location</i> is the file system location where the PKI trustpool certificates are stored. The types of file system</li> </ul>

	Command or Action	Purpose
		locations are <b>disk0:</b> , <b>disk1:</b> , <b>nvrाम:</b> , <b>unix:</b> , or a named file system.
<b>Step 13</b>	<b>vrf</b> <i>vrf-name</i>  <b>Example:</b> Device(ca-trustpool)# vrf myvrf	Specifies the VPN routing and forwarding (VRF) instance to be used for enrolment, CRL retrieval, and OCSP status.
<b>Step 14</b>	<b>show</b>  <b>Example:</b> Device(ca-trustpool)# show  Chain validation will stop at the first CA certificate in the pool Trustpool CA certificates will expire 12:58:31 PST Apr 5 2012 Trustpool policy revocation order: crl Certificate matching is disabled Policy Overrides:	Displays the PKI trustpool policy of the router.

## Configuration examples for PKI Trustpool Management

### Example: Configuring PKI Trustpool Management

The following **show crypto pki trustpool** command output displays the certificates in PKI trustpool:



#### Note

The command output in this example is abridged because it is verbose.

```
Device# show crypto pki trustpool

CA Certificate
  Status: Available
  Version: 3
  Certificate Serial Number (hex): 00D01E474000000111C38A964400000002
  Certificate Usage: Signature
  Issuer:
    cn=DST Root CA X3
    o=Digital Signature Trust Co.
  Subject:
    cn=Cisco SCA
    o=Cisco Systems
  CRL Distribution Points:
    http://crl.identrust.com/DSTROOTCAX3.crl
  Validity Date:
    start date: 12:58:31 PST Apr 5 2007
    end date: 12:58:31 PST Apr 5 2012

CA Certificate
  Status: Available
```

```

Version: 3
Certificate Serial Number (hex): 6A6967B3000000000003
Certificate Usage: Signature
Issuer:
  cn=Cisco Root CA 2048
  o=Cisco Systems
Subject:
  cn=Cisco Manufacturing CA
  o=Cisco Systems
CRL Distribution Points:
  http://www.cisco.com/security/pki/crl/crca2048.crl
Validity Date:
  start date: 14:16:01 PST Jun 10 2005
  end   date: 12:25:42 PST May 14 2029

```

The following **show crypto pki trustpool verbose** command output displays the certificates in PKI trustpool:

Device# **show crypto pki trustpool verbose**

```

CA Certificate
Status: Available
Version: 3
Certificate Serial Number (hex): 01
Certificate Usage: Signature
Issuer:
  cn=Licensing Root - DEV
  o=Cisco
Subject:
  cn=Licensing Root - DEV
  o=Cisco
Validity Date:
  start date: 03:25:43 IST Apr 25 2013
  end   date: 03:25:43 IST Apr 25 2033
Subject Key Info:
  Public Key Algorithm: rsaEncryption
  RSA Public Key: (2048 bit)
Signature Algorithm: SHA256 with RSA Encryption
Fingerprint MD5: 432CBFA0 32D2983A 8A56A319 FD28C6F9
Fingerprint SHA1: 6341FCAF 19CE9FEE 961D92A5 D47390B5 2DD6D94D
X509v3 extensions:
  X509v3 Key Usage: 6000000
    Key Cert Sign
    CRL Signature
  X509v3 Subject Key ID: 43214521 B5FB217A 1A4D1BB7 0236E664 CBEC8B65
  X509v3 Basic Constraints:
    CA: TRUE
  Authority Info Access:
Associated Trustpoints: Trustpool
Trustpool: Built-In

```

The following **show crypto pki trustpool built-in** command output displays the built-in certificates in PKI trustpool:



**Note**

The command output in this example is abridged because it is verbose.

Device# **show crypto pki trustpool built-in**

```

CA Certificate
Status: Available
Version: 3
Certificate Serial Number (hex): 02
Certificate Usage: Signature
Issuer:
  cn=Cisco Root CA M2

```

```

o=Cisco
Subject:
  cn=Cisco Manufacturing CA SHA2
  o=Cisco
CRL Distribution Points:
  http://www.cisco.com/security/pki/crl/crcam2.crl
Validity Date:
  start date: 19:20:58 IST Nov 12 2012
  end   date: 12:02:01 IST Oct 7 1901
Subject Key Info:
  Public Key Algorithm: rsaEncryption
  RSA Public Key: (2048 bit)
Signature Algorithm: SHA256 with RSA Encryption
Fingerprint MD5: AC14F08F C3780F8F D9EEE6C9 39111280
Fingerprint SHA1: 90B2E06B 7AD5DAFF CFD43187 2909F381 37471BF8
  X509v3 Key Usage: 6000000
    Key Cert Sign
    CRL Signature
  X509v3 Subject Key ID: 7AD77995 CABB482B B85514FD A3C00FBC A70F9619
  X509v3 Basic Constraints:
    CA: TRUE
X509v3 Authority Key ID: C900F91F 8A1FC266 BDA5D26D 650E222E 34C305A0
Authority Info Access:
  X509v3 CertificatePolicies:
    Policy: 1.3.6.1.4.1.9.21.1.18.0
      Qualifier ID: 1.3.6.1.5.5.7.2.1
      Qualifier Info: http://www.cisco.com/security/pki/policies/index.html
Associated Trustpoints: Trustpool
Trustpool: Built-In

```

The following **show crypto pki trustpool policy** command output displays the certificates in PKI trustpool:

```

Device# show crypto pki trustpool policy

Trustpool Policy

Chain validation will stop at the first CA certificate in the pool
Trustpool CA certificates will expire 05:29:59 IST Aug 3 2028
Trustpool policy revocation order:      crl
Certificate matching is disabled
Policy Overrides:

```

The following **show crypto pki certificate pool** command output displays the certificates in PKI trustpool:

```

Device# show crypto pki certificate pool

! ('certificate ca' cmd has been deprecated. Downloaded
! Trustpool certificates should be re-downloaded
! using 'crypro pki trustpool import url')
cabundle nvram:ios_core.p7b

```

## Example: Using PKI Trustpool for SSH Connection During Upgrade

Before upgrading to Cisco IOS XE Denali 16.3, copy the certificate from trustpool to a new trustpoint.

```

Device # show run | sec pool
crypto pki trustpool policy
  revocation-check none
  source interface GigabitEthernet0/0/0
crypto pki certificate pool
certificate ca 01
308204FA 308202E2 A0030201 02020101 300D0609 2A864886 F70D0101 0C050030
0E310C30 0A060355 04031303 61626330 1E170D31 36303730 35303435 3935335A
170D3136 30373035 30353535 35335A30 0E310C30 0A060355 04031303 61626330

```

```

82022230 0D06092A 864886F7 0D010101 05000382 020F0030 82020A02 82020100
C78AA144 8EC1D18A 4EECC3E8 81450CC7 A85A4C57 AF59E584 5C1EA888 6EF70DA8
33327D93 E1F6CED7 32BB4FCF 693F60E0 37000225 40F6F9C5 0462C4AD 899E5BDD
ED779180 D6C75E1B FBE97D42 E2A7B35D DDC18C4D 4CCDE401 68F67A6D E40FD744
904EE49F 40820640 C6E0B072 510BC40E A0883F6C E8DF5128 EFF3B5F4 B31E5C16
217652FF AFC30EBF 593CB19C 56C0E793 2814D504 0E079E0C 8E9E856A BCADB19C
F2376994 A0A040C1 7BC1E88F CF80F218 9C48B4D9 F84ED5C0 79827BD1 32448478
8F1F82F2 C91A9479 692B6456 C53CF937 777D0C31 1B8A1F5E 24B33553 047C2448
855CF974 DFA21665 8AD8A0E5 81ED8068 81688997 FF05118C 93A59CA0 7FD594F6
B7B1898C 272E089A 3392A2C4 22A22625 2BC1E16F 95B2FC15 207CCA49 378AD3A6
0C574197 C5E94D8C E6736271 CE0BA9AB ACB380E3 A8084243 4E038DD1 8E86E206
E2269290 F1AFB29A D28CFB3A 5ABADE4A 21A59728 7174E7A3 2FF59C90 E6100C6E
E2E8CB4C 91BD574D 57B5E18A 78F9CE75 624C4A2E 1A6EFCC3 7D1BB20B 1CC79024
CD2FBC4D 46BE1B7A 6EFD8F05 6FD84E91 51215E9B E5E952A4 6E2D1388 10075706
7D6FAF9B 3F7F8994 F39B9B5D 0C7CD5BC 40738877 5D9985AC 5AB6363D 811BA440
41A1639F 352F4F01 1994300A A4B85B75 01486CA0 4C4B3175 82038B26 BEFE1D2A
4AC0D577 7784FACF A6877D68 5D73DD04 DC8D942B DE3FC9FE 4C1FF715 A2E7A5AB
02030100 01A36330 61300F06 03551D13 0101FF04 05300301 01FF300E 0603551D
0F0101FF 04040302 0186301F 0603551D 23041830 168014CA 195EDBF1 51753A92
71342CA8 36DDABA9 63A93130 1D060355 1D0E0416 0414CA19 5EDBF151 753A9271
342CA836 DDABA963 A931300D 06092A86 4886F70D 01010C05 00038202 0100553B
FB77A348 C4447C40 BEB2DDFD 63C82441 3CBDC198 B5D5B1AB DF17C4E2 98AEAF2F
CD570939 BCC116E0 33CFF471 E91EE308 8B29B5BD 11DFACF9 A3AC3135 8BE81B22
ED205587 5DE04654 A051CC14 CA8D2A6E 81F924DA 001BB1C4 7F85F177 4E75D8EA
797C9AEF 1502492D 17627CD1 E39E295B 44C55884 8E6DFF68 2129B222 18E3187D
AB97B4A7 6F838E75 A8908566 AD9E6687 35B150DE 0C8C1B37 6F17FDAC 7A7C53A4
434F5CF3 6EB71957 E65EC5D2 7685B05B A9D8C0D3 2DB8F97E E6B37E11 C9E26F4F
BFB97745 83E1A214 461B0E49 0FFDEF21 A7CA5364 44416002 03A01F0C 2BC098D3
B50A4071 AC4D2234 4E55C5D4 0FD9C308 63F2A8D4 24D34613 B73EAA1B B407D56F
90EEF5C7 AE61C0D8 13FB493D 0E1C8F9B 1D2D6DEA 458CDE18 8753FF14 F8C75213
35557FCC 50405056 D9790AF0 EAC21646 2D9AF88D 59C05434 45F21248 0BB72191
74D951DD 9D23997E 1134611E 837137E6 C40C694E 7AB4A05F E8470E87 E0F6D924
A69A98A8 5AA2B9B3 B7446883 94A7230D EE3C6EDA 4A348351 FC40C16D 6FDC91EC
CEFF580B F7826DD1 1D1D07DB 17CA3298 8C510826 D2712E04 EB669909 3D8106EB
5391A5BA 80B7E981 B41AAEB9 CE4A5236 20E30AE7 01D5FDB3 604C5505 0F8C96DC
8F5CF569 5D90C1FB F5679221 B7B922C0 5F11C379 9EBA283C 45A209F7 132B8DA2
EAF4751B 290A1CAC C3E7978B 760FB05A 185991FE 4884FA1A D3EEDD7C 63
3B
quit
    
```

Paste the certificate in config mode by creating a new trustpoint.

```

Device(config)#cry pki trust abc
Device(ca-trustpoint)#cry pki cert chain abc
Device(config-cert-chain)#certificate ca 01
    
```

Enter the certificate in hexadecimal representation

```

Device(config-pki-hexmode) # 308204FA 308202E2 A0030201 02020101 300D0609 2A864886 F70D0101
0C050030
Device(config-pki-hexmode) # 0E310C30 0A060355 04031303 61626330 1E170D31 36303730 35303435
3935335A
Device(config-pki-hexmode) # 170D3136 30373035 30353535 35335A30 0E310C30 0A060355 04031303
61626330
Device(config-pki-hexmode) # 82022230 0D06092A 864886F7 0D010101 05000382 020F0030 82020A02
82020100
Device(config-pki-hexmode) # C78AA144 8EC1D18A 4EECC3E8 81450CC7 A85A4C57 AF59E584 5C1EA888
6EF70DA8
Device(config-pki-hexmode) # 33327D93 E1F6CED7 32BB4FCF 693F60E0 37000225 40F6F9C5 0462C4AD
899E5BDD
Device(config-pki-hexmode) # ED779180 D6C75E1B FBE97D42 E2A7B35D DDC18C4D 4CCDE401 68F67A6D
E40FD744
Device(config-pki-hexmode) # 904EE49F 40820640 C6E0B072 510BC40E A0883F6C E8DF5128 EFF3B5F4
B31E5C16
Device(config-pki-hexmode) # 217652FF AFC30EBF 593CB19C 56C0E793 2814D504 0E079E0C 8E9E856A
BCADB19C
Device(config-pki-hexmode) # F2376994 A0A040C1 7BC1E88F CF80F218 9C48B4D9 F84ED5C0 79827BD1
32448478
Device(config-pki-hexmode) # 8F1F82F2 C91A9479 692B6456 C53CF937 777D0C31 1B8A1F5E 24B33553
    
```

## Example: Using PKI Trustpool for SSH Connection During Upgrade

```

047C2448
Device (config-pki-hexmode) # 855CF974 DFA21665 8AD8A0E5 81ED8068 81688997 FF05118C 93A59CA0
7FD594F6
Device (config-pki-hexmode) # B7B1898C 272E089A 3392A2C4 22A22625 2BC1E16F 95B2FC15 207CCA49
378AD3A6
Device (config-pki-hexmode) # 0C574197 C5E94D8C E6736271 CE0BA9AB ACB380E3 A8084243 4E038DD1
8E86E206
Device (config-pki-hexmode) # E2269290 F1AFB29A D28CFB3A 5ABADE4A 21A59728 7174E7A3 2FF59C90
E6100C6E
Device (config-pki-hexmode) # E2E8CB4C 91BD574D 57B5E18A 78F9CE75 624C4A2E 1A6EFCC3 7D1BB20B
1CC79024
Device (config-pki-hexmode) # CD2FBC4D 46BE1B7A 6EFD8F05 6FD84E91 51215E9B E5E952A4 6E2D1388
10075706
Device (config-pki-hexmode) # 7D6FAF9B 3F7F8994 F39B9B5D 0C7CD5BC 40738877 5D9985AC 5AB6363D
811BA440
Device (config-pki-hexmode) # 41A1639F 352F4F01 1994300A A4B85B75 01486CA0 4C4B3175 82038B26
BEFE1D2A
Device (config-pki-hexmode) # 4AC0D577 7784FACF A6877D68 5D73DD04 DC8D942B DE3FC9FE 4C1FF715
A2E7A5AB
Device (config-pki-hexmode) # 02030100 01A36330 61300F06 03551D13 0101FF04 05300301 01FF300E
0603551D
Device (config-pki-hexmode) # 0F0101FF 04040302 0186301F 0603551D 23041830 168014CA 195EDBF1
51753A92
Device (config-pki-hexmode) # 71342CA8 36DDABA9 63A93130 1D060355 1D0E0416 0414CA19 5EDBF151
753A9271
Device (config-pki-hexmode) # 342CA836 DDABA963 A931300D 06092A86 4886F70D 01010C05 00038202
0100553B
Device (config-pki-hexmode) # FB77A348 C4447C40 BEB2DDFD 63C82441 3CBDC198 B5D5B1AB DF17C4E2
98AEAF2F
Device (config-pki-hexmode) # CD570939 BCC116E0 33CFF471 E91EE308 8B29B5BD 11DFACF9 A3AC3135
8BE81B22
Device (config-pki-hexmode) # ED205587 5DE04654 A051CC14 CA8D2A6E 81F924DA 001BB1C4 7F85F177
4E75D8EA
Device (config-pki-hexmode) # 797CCAEF 1502492D 17627CD1 E39E295B 44C55884 8E6DFF68 2129B222
18E3187D
Device (config-pki-hexmode) # AB97B4A7 6F838E75 A8908566 AD9E6687 35B150DE 0C8C1B37 6F17FDAC
7A7C53A4
Device (config-pki-hexmode) # 434F5CF3 6EB71957 E65EC5D2 7685B05B A9D8C0D3 2DB8F97E E6B37E11
C9E26F4F
Device (config-pki-hexmode) # BFB97745 83E1A214 461B0E49 0FFDEF21 A7CA5364 44416002 03A01F0C
2BC098D3
Device (config-pki-hexmode) # B50A4071 AC4D2234 4E55C5D4 0FD9C308 63F2A8D4 24D34613 B73EAA1B
B407D56F
Device (config-pki-hexmode) # 90EEF5C7 AE61C0D8 13FB493D 0E1C8F9B 1D2D6DEA 458CDE18 8753FF14
F8C75213
Device (config-pki-hexmode) # 35557FCC 50405056 D9790AF0 EAC21646 2D9AF88D 59C05434 45F21248
0BB72191
Device (config-pki-hexmode) # 74D951DD 9D23997E 1134611E 837137E6 C40C694E 7AB4A05F E8470E87
E0F6D924
Device (config-pki-hexmode) # A69A98A8 5AA2B9B3 B7446883 94A7230D EE3C6EDA 4A348351 FC40C16D
6FDC91EC
Device (config-pki-hexmode) # CFFF580B F7826DD1 1D1D07DB 17CA3298 8C510826 D2712E04 EB669909
3D8106EB
Device (config-pki-hexmode) # 5391A5BA 80B7E981 B41AAEB9 CE4A5236 20E30AE7 01D5FDB3 604C5505
0F8C96DC
Device (config-pki-hexmode) # 8F5CF569 5D90C1FB F5679221 B7B922C0 5F11C379 9EBA283C 45A209F7
132B8DA2
Device (config-pki-hexmode) # EAF4751B 290A1CAC C3E7978B 760FB05A 185991FE 4884FA1A D3EEDD7C
63
Device (config-pki-hexmode) # 3B
Device (config-pki-hexmode) # quit

```

Now you can upgrade to Cisco IOS XE Denali 16.3. The certificate from trustpool would disappear but would still stay in trustpoint. Install the certificate in trustpool after the upgrade.

## Additional References for PKI Trustpool Management

### Related Documents

Related Topic	Document Title
Cisco IOS commands	<a href="#">Cisco IOS Master Command List, All Releases</a>
Security commands	<ul style="list-style-type: none"> <li>• <a href="#">Cisco IOS Security Command Reference: Commands A to C</a></li> <li>• <a href="#">Cisco IOS Security Command Reference: Commands D to L</a></li> <li>• <a href="#">Cisco IOS Security Command Reference: Commands M to R</a></li> <li>• <a href="#">Cisco IOS Security Command Reference: Commands S to Z</a></li> </ul>

### Technical Assistance

Description	Link
The Cisco Support and Documentation website provides online resources to download documentation, software, and tools. Use these resources to install and configure the software and to troubleshoot and resolve technical issues with Cisco products and technologies. Access to most tools on the Cisco Support and Documentation website requires a Cisco.com user ID and password.	<a href="http://www.cisco.com/cisco/web/support/index.html">http://www.cisco.com/cisco/web/support/index.html</a>

## Feature Information for PKI Trustpool Management

The following table provides release information about the feature or features described in this module. This table lists only the software release that introduced support for a given feature in a given software release train. Unless noted otherwise, subsequent releases of that software release train also support that feature.

Use Cisco Feature Navigator to find information about platform support and Cisco software image support. To access Cisco Feature Navigator, go to [www.cisco.com/go/cfn](http://www.cisco.com/go/cfn). An account on Cisco.com is not required.

Table 13: Feature Information for PKI Trustpool Management

Feature Name	Releases	Feature Information
PKI Trustpool Management		<p>The PKI Trustpool Management feature is used to authenticate sessions, such as HTTPS, that occur between devices by using commonly recognized trusted agents called certificate authorities (CAs). This feature, which is enabled by default, is used to create a scheme to provision, store, and manage a pool of certificates from known CAs in a way similar to the services a browser provides for securing sessions.</p> <p>The following commands were introduced or modified: <b>cabundle url, chain-validation (ca-trustpool), crypto pki trustpool import, crypto pki trustpool policy, crl, default (ca-trustpool), match certificate (ca-trustpool), ocsf, show (ca-trustpool), show crypto pki trustpool, source interface (ca-trustpool), storage, vrf (ca-trustpool), show crypto pki trustpool built-in, crypto pki trustpool import clean ca-bundle.</b></p>
PKI Trustpool Enhancements	Cisco IOS XE Denali 16.3.1	<p>The PKI Trustpool Enhancements feature is used for authentication of HTTPS connections built from the router.</p> <p>The following commands were introduced or modified: <b>show crypto pki trustpool built-in, crypto pki trustpool import clean ca-bundle.</b></p>





## PKI Split VRF in Trustpoint

The PKI Split VRF in Trustpoint feature allows you to configure a VPN Routing and Forwarding (VRF) for certificate enrollment and revocation.

- [Finding Feature Information, page 229](#)
- [Information About PKI Split VRF in Trustpoint, page 229](#)
- [How to Configure PKI Split VRF in Trustpoint, page 230](#)
- [Configuration Examples for PKI Split VRF in Trustpoint, page 231](#)
- [Additional References for PKI Split VRF in Trustpoint, page 232](#)
- [Feature Information for PKI Split VRF in Trustpoint, page 232](#)

### Finding Feature Information

Your software release may not support all the features documented in this module. For the latest caveats and feature information, see [Bug Search Tool](#) and the release notes for your platform and software release. To find information about the features documented in this module, and to see a list of the releases in which each feature is supported, see the feature information table.

Use Cisco Feature Navigator to find information about platform support and Cisco software image support. To access Cisco Feature Navigator, go to [www.cisco.com/go/cfn](http://www.cisco.com/go/cfn). An account on Cisco.com is not required.

### Information About PKI Split VRF in Trustpoint

#### Overview of PKI Split VRF in Trustpoint

The PKI Split VRF in Trustpoint feature allows you to configure VPN Routing and Forwarding (VRF) for certificate enrollment and for certificate revocation list (CRL) checking. The VRF is configured in the enrollment profile using the **enrollment url** command under the **crypto pki profile enrollment** command to attach the enrollment profile to a trustpoint. You can configure the same VRF for enrollment and CRL or

configure different VRFs. Based on the configuration (enrollment or revocation), the corresponding VRF is selected and Simple Certificate Enrollment Protocol (SCEP) request is sent via the respective VRF.

To configure enrollment and CRL via different routing paths, you must configure the enrollment url command using the **crypto pki profile enrollment** command. This configured VRF acts as an enrollment VRF and the enrollment request goes via that VRF. However, the CRL uses the global VRF configured in the trustpoint using the

If no VRF is configured in the **enrollment url** command, the enrollment takes global enrollment that is configured in the **crypto pki trustpoint** command.

## How to Configure PKI Split VRF in Trustpoint

### Configuring the Split VRF

#### SUMMARY STEPS

1. **enable**
2. **configure terminal**
3. **crypto pki profile enrollment** *label*
4. **enrollment url** *url* [*vrf vrf-name*]
5. **exit**
6. **show crypto pki profile**
7. **show crypto pki trustpoint**

#### DETAILED STEPS

	Command or Action	Purpose
Step 1	<b>enable</b>  <b>Example:</b> Device> enable	Enables privileged EXEC mode.  • Enter your password if prompted.
Step 2	<b>configure terminal</b>  <b>Example:</b> Device# configure terminal	Enters global configuration mode.
Step 3	<b>crypto pki profile enrollment</b> <i>label</i>  <b>Example:</b> Device(config)# crypto pki profile enrollment pki_profile	Defines an enrollment profile and enters ca-profile-enroll configuration mode.  • <i>label</i> —Name for the enrollment profile; the enrollment profile name must match the name specified in the <b>enrollment profile</b> command.

	Command or Action	Purpose
<b>Step 4</b>	<b>enrollment url</b> <i>url</i> [ <i>vrf vrf-name</i> ]  <b>Example:</b> Device(ca-profile-enroll)# enrollment url http://entrust:81/cda-cgi/clientcgi.exe vrf vrf1	Specifies the URL and the VPN Routing and Forwarding (VRF) of the CA server to which to send certificate enrollment requests via HTTP or TFTP.
<b>Step 5</b>	<b>exit</b>  <b>Example:</b> Device(ca-profile-enroll)# exit	Exits ca-profile-enroll configuration mode.  <ul style="list-style-type: none"> <li>• Enter this command a second time to exit global configuration mode.</li> </ul>
<b>Step 6</b>	<b>show crypto pki profile</b>  <b>Example:</b> Device# show crypto pki profile	(Optional) Displays information about PKI profile.
<b>Step 7</b>	<b>show crypto pki trustpoint</b>  <b>Example:</b> Device# show crypto pki trustpoint	(Optional) Displays information about PKI trustpoints.

## Configuration Examples for PKI Split VRF in Trustpoint

### Example: Configuring the PKI Split VRF in Trustpoint

#### Enrollment and Certificate Revocation List Via Same VRF

The following example shows how to configure the enrollment and certificate revocation list (CRL) via the same VRF:

```
crypto pki trustpoint trustpoint1
enrollment url http://10.10.10.10:80
vrf vrf1
revocation-check crl
```

#### Enrollment and Certificate Revocation List Via Different VRF

The following example shows how to configure the enrollment and certificate revocation list (CRL) via different VRF:

```
crypto pki profile enrollment pki_profile
enrollment url http://10.10.10.10:80 vrf vrf2

crypto pki trustpoint trustpoint1
enrollment profile pki_profile
vrf vrf1
revocation-check crl
```

## Additional References for PKI Split VRF in Trustpoint

### Related Documents

Related Topic	Document Title
Cisco IOS commands	<a href="#">Cisco IOS Master Command List, All Releases</a>
Security commands	<ul style="list-style-type: none"> <li>• <a href="#">Cisco IOS Security Command Reference Commands A to C</a></li> <li>• <a href="#">Cisco IOS Security Command Reference Commands D to L</a></li> <li>• <a href="#">Cisco IOS Security Command Reference Commands M to R</a></li> <li>• <a href="#">Cisco IOS Security Command Reference Commands S to Z</a></li> </ul>
Recommended cryptographic algorithms	<a href="#">Next Generation Encryption</a>

### Technical Assistance

Description	Link
The Cisco Support and Documentation website provides online resources to download documentation, software, and tools. Use these resources to install and configure the software and to troubleshoot and resolve technical issues with Cisco products and technologies. Access to most tools on the Cisco Support and Documentation website requires a Cisco.com user ID and password.	<a href="http://www.cisco.com/cisco/web/support/index.html">http://www.cisco.com/cisco/web/support/index.html</a>

## Feature Information for PKI Split VRF in Trustpoint

The following table provides release information about the feature or features described in this module. This table lists only the software release that introduced support for a given feature in a given software release train. Unless noted otherwise, subsequent releases of that software release train also support that feature.

Use Cisco Feature Navigator to find information about platform support and Cisco software image support. To access Cisco Feature Navigator, go to [www.cisco.com/go/cfn](http://www.cisco.com/go/cfn). An account on Cisco.com is not required.

**Table 14: Feature Information for PKI Split VRF in Trustpoint**

Feature Name	Releases	Feature Information
PKI Split VRF in Trustpoint	Cisco IOS XE 3.11S	<p>The PKI Split VRF in Trustpoint feature allows you to configure a VPN Routing and Forwarding (VRF) for certificate enrollment and revocation.</p> <p>The following commands were introduced or modified: <b>enrollment url (ca-profile-enroll).</b></p>





## EST Client Support

---

The EST Client Support feature allows you to enable EST (Enrolment Over Secure Transport) for all trustpoints while using SSL or TLS to secure transport.

- [Finding Feature Information, page 235](#)
- [Prerequisites for EST Client Support, page 235](#)
- [Restrictions for EST Client Support, page 236](#)
- [Information About EST Client Support, page 236](#)
- [How to Configure EST Client Support, page 236](#)
- [Configuration Examples for EST Client Support, page 238](#)
- [Additional References for EST Client Support, page 238](#)
- [Feature Information for EST Client Support, page 239](#)

### Finding Feature Information

Your software release may not support all the features documented in this module. For the latest caveats and feature information, see [Bug Search Tool](#) and the release notes for your platform and software release. To find information about the features documented in this module, and to see a list of the releases in which each feature is supported, see the feature information table.

Use Cisco Feature Navigator to find information about platform support and Cisco software image support. To access Cisco Feature Navigator, go to [www.cisco.com/go/cfn](http://www.cisco.com/go/cfn). An account on Cisco.com is not required.

### Prerequisites for EST Client Support

- The `ip http authentication fore-close` command must be enabled.
- Only RSA certificate will be used for TLS authentication.

# Restrictions for EST Client Support

- Only TLS 1.0 is supported on the EST client.
- Certificate Attribute request is not supported.
- CA-Certificate rollover is not supported.
- Certificate-less TLS authentication is not supported.

# Information About EST Client Support

## Overview of EST Client Support

The EST Client Support feature allows you to use Enrollment over Secure Transport (EST) as a certificate management protocol for provisioning certificates. With the existing SCEP enrollment integrated within the PKI component, the addition of EST will introduce a new component that will use SSL or TLS to secure the transport. PKI will store all certificates.

To enable EST support, the EST client is required to authenticate the server during TLS connection establishment. For this authentication, the TLS server may require the client's credentials.

# How to Configure EST Client Support

## Configuring a Trustpoint to Use EST

Perform this task to configure a trustpoint to use EST (Enrolment Over Secure Transport) by enabling the user to use the enrollment profile.

### SUMMARY STEPS

1. **enable**
2. **configure terminal**
3. **crypto pki profile enrollment** *label*
4. **method-est**
5. **enrollment url** *url* [*vrf name*]
6. **enrollment credential** *label*
7. **exit**
8. **show crypto pki profile**
9. **show crypto pki trustpoint**



## DETAILED STEPS

	Command or Action	Purpose
Step 1	<b>enable</b>  <b>Example:</b> Device> enable	Enables privileged EXEC mode.  • Enter your password if prompted.
Step 2	<b>configure terminal</b>  <b>Example:</b> Device# configure terminal	Enters global configuration mode.
Step 3	<b>crypto pki profile enrollment <i>label</i></b>  <b>Example:</b> Device(config)# crypto pki profile enrollment pki_profile	Defines an enrollment profile and enters ca-profile-enroll configuration mode.  • <i>label</i> —Name for the enrollment profile; the enrollment profile name must match the name specified in the <b>enrollment profile</b> command.
Step 4	<b>method-est</b>  <b>Example:</b> Device(ca-profile-enroll)# method-est	Enables enrollment profile to select usage of EST.
Step 5	<b>enrollment url <i>url</i> [<i>vrf name</i>]</b>  <b>Example:</b> Device(ca-profile-enroll)# enrollment url http://entrust:81/cda-cgi/clientcgi.exe vrf vrf1	Specifies that an enrollment profile is to be used for certificate authentication and enrollment.
Step 6	<b>enrollment credential <i>label</i></b>  <b>Example:</b> Device(ca-profile-enroll)# enrollment credential test_label	Provides the server trustpoint credentials currently available in the profile for TLS client authentication.
Step 7	<b>exit</b>  <b>Example:</b> Device(ca-profile-enroll)# exit	Exits ca-profile-enroll configuration mode.
Step 8	<b>show crypto pki profile</b>  <b>Example:</b> Device# show crypto pki profile	(Optional) Displays information about PKI profile.
Step 9	<b>show crypto pki trustpoint</b>  <b>Example:</b> Device# show crypto pki trustpoint	(Optional) Displays information about PKI trustpoints.

# Configuration Examples for EST Client Support

## Example: Configuring a Trustpoint to Use EST

The following example shows how to configure a trustpoint to use Enrollment over Secure Transport (EST):

```
crypto pki profile enrollment pki_profile
method-est
enrollment url http://www.example.com/BigCA/est/simpleenroll.dll
enrollment credential test_label
```

## Additional References for EST Client Support

### Related Documents

Related Topic	Document Title
Cisco IOS commands	<a href="#">Cisco IOS Master Command List, All Releases</a>
Security commands	<ul style="list-style-type: none"> <li>• <a href="#">Cisco IOS Security Command Reference Commands A to C</a></li> <li>• <a href="#">Cisco IOS Security Command Reference Commands D to L</a></li> <li>• <a href="#">Cisco IOS Security Command Reference Commands M to R</a></li> <li>• <a href="#">Cisco IOS Security Command Reference Commands S to Z</a></li> </ul>

### Standards and RFCs

Standard/RFC	Title
RFC 7030	<i>Enrollment over Secure Transport</i>
RFC 2818	<i>HTTP Over TLS</i>
RFC 6125	<i>Representation and Verification of Domain-Based Application Service Identity within Internet Public Key Infrastructure Using X.509 (PKIX) Certificates in the Context of Transport Layer Security (TLS)</i>
RFC 2510	<i>Internet X.509 Public Key Infrastructure Certificate Management Protocols</i>

Standard/RFC	Title
RFC 4210	<i>Internet X.509 Public Key Infrastructure Certificate Management Protocol (CMP)</i>

#### Technical Assistance

Description	Link
The Cisco Support and Documentation website provides online resources to download documentation, software, and tools. Use these resources to install and configure the software and to troubleshoot and resolve technical issues with Cisco products and technologies. Access to most tools on the Cisco Support and Documentation website requires a Cisco.com user ID and password.	<a href="http://www.cisco.com/cisco/web/support/index.html">http://www.cisco.com/cisco/web/support/index.html</a>

## Feature Information for EST Client Support

The following table provides release information about the feature or features described in this module. This table lists only the software release that introduced support for a given feature in a given software release train. Unless noted otherwise, subsequent releases of that software release train also support that feature.

Use Cisco Feature Navigator to find information about platform support and Cisco software image support. To access Cisco Feature Navigator, go to [www.cisco.com/go/cfn](http://www.cisco.com/go/cfn). An account on Cisco.com is not required.

**Table 15: Feature Information for EST Client Support**

Feature Name	Releases	Feature Information
EST Client Support	Cisco IOS XE Release 3.14S	The EST Client Support feature allows you to enable EST (Enrolment Over Secure Transport) for all trustpoints while using SSL or TLS to secure transport.  The following command was introduced: <b>method-est</b>





## OCSP Response Stapling

---

The OCSP Response Stapling feature allows you to check the validity of a peer's user or device credentials contained in a digital certificate using Online Certificate Status Protocol (OCSP).

- [Finding Feature Information, page 241](#)
- [Information About OCSP Response Stapling, page 241](#)
- [How to Configure OCSP Response Stapling, page 242](#)
- [Additional References for OCSP Response Stapling, page 246](#)
- [Feature Information for OCSP Response Stapling, page 248](#)

### Finding Feature Information

Your software release may not support all the features documented in this module. For the latest caveats and feature information, see [Bug Search Tool](#) and the release notes for your platform and software release. To find information about the features documented in this module, and to see a list of the releases in which each feature is supported, see the feature information table.

Use Cisco Feature Navigator to find information about platform support and Cisco software image support. To access Cisco Feature Navigator, go to [www.cisco.com/go/cfn](http://www.cisco.com/go/cfn). An account on Cisco.com is not required.

### Information About OCSP Response Stapling

#### Overview of OCSP Response Stapling

Online Certificate Status Protocol (OCSP) is a method to check certificate revocation when a peer has to retrieve this revocation information and then validate it to check the certificate revocation status. In this method, the certification revocation status is limited by the peer's ability to reach an OCSP responder through the cloud or by the certificate sender's performance in retrieving the certificate revocation-information.

OCSP response stapling supports a new method to fetch the OCSP response for a device's own certificates. This feature allows the device to obtain its own certificate revocation information by contacting the OCSP

server and then sending this result along with its certificates directly to the peer. As a result, the peer does not require to contact the OCSP responder.

# How to Configure OCSP Response Stapling

## Configuring PKI Client to Request EKU Attribute

Perform this task to configure OCSP (Online Certificate Status Protocol) response stapling.

### SUMMARY STEPS

1. **enable**
2. **configure terminal**
3. **crypto pki trustpoint *name***
4. **ocsp url *url***
5. **eku request *attribute***
6. **match eku *attribute***
7. **revocation-check *method1* [*method2* [*method3*]]**
8. **exit**
9. **exit**
10. **show cry pki counters**

### DETAILED STEPS

	Command or Action	Purpose
<b>Step 1</b>	<b>enable</b>  <b>Example:</b> Device> enable	Enables privileged EXEC mode.  1 Enter your password if prompted.
<b>Step 2</b>	<b>configure terminal</b>  <b>Example:</b> Device# configure terminal	Enters global configuration mode.
<b>Step 3</b>	<b>crypto pki trustpoint <i>name</i></b>  <b>Example:</b> Device(config)# crypto pki trustpoint msca	Declares the trustpoint and a given name and enters ca-trustpoint configuration mode.
<b>Step 4</b>	<b>ocsp url <i>url</i></b>  <b>Example:</b> Device(ca-trustpoint)# ocsp url http://ocsp-server	The <i>url</i> argument specifies the URL of an OCSP server so that the trustpoint can check the certificate status. This URL overrides the URL of the OCSP server (if one exists) in the Authority Info Access (AIA) extension of the certificate. All certificates associated with a configured trustpoint are checked by the OCSP server. The URL can be a hostname, IPv4 address, or an IPv6 address.

	Command or Action	Purpose
	<p><b>Example:</b></p> <pre>Device(ca-trustpoint)# ocspl url http://10.10.10.1:80</pre> <p><b>Example:</b></p> <pre>Device(ca-trustpoint)# ocspl url http://[2001DB8:1:1::2]:80</pre>	<p><b>Note</b> Make sure that the OCSP request url is configured with the <b>ocsp url url</b> command and not with an http-proxy server.</p>
<p><b>Step 5</b></p>	<p><b>eku request attribute</b></p> <p><b>Example:</b></p> <pre>Device(ca-trustpoint)# eku request ssh-client</pre>	<p>Requests to include specified eku <i>attribute</i> in the certificate. This request, when configured on the PKI client, will be sent to the CA server during enrollment.</p> <p>The <i>attribute</i> argument can be one of the following:</p> <ul style="list-style-type: none"> <li>• client-auth</li> <li>• code-signing</li> <li>• email-protection</li> <li>• ipsec-end-system</li> <li>• ipsec-tunnel</li> <li>• ipsec-user</li> <li>• ocspl-signing</li> <li>• server-auth</li> <li>• time-stamping</li> <li>• ssh-server</li> <li>• ssh-client</li> </ul>
<p><b>Step 6</b></p>	<p><b>match eku attribute</b></p> <p><b>Example:</b></p> <pre>Device(ca-trustpoint)# match eku client-auth</pre>	<p>Allows PKI to validate a peer certificate only if the specified attribute is present in the certificate else validation fails.</p> <p>The <i>attribute</i> argument can be one of the following:</p> <ul style="list-style-type: none"> <li>• client-auth</li> <li>• code-signing</li> <li>• email-protection</li> <li>• ipsec-end-system</li> <li>• ipsec-tunnel</li> <li>• ipsec-user</li> <li>• ocspl-signing</li> <li>• server-auth</li> <li>• time-stamping</li> </ul>

	Command or Action	Purpose
		<ul style="list-style-type: none"> <li>ssh-server</li> <li>ssh-client</li> </ul>
<b>Step 7</b>	<b>revocation-check</b> <i>method1</i> [ <i>method2</i> [ <i>method3</i> ]]  <b>Example:</b>  <pre>Device(ca-trustpoint)# revocation-check ocsp none</pre>	(Optional) Checks the revocation status of a certificate. <ul style="list-style-type: none"> <li>crl --Certificate checking is performed by a CRL. This is the default option.</li> <li>none --Certificate checking is ignored.</li> <li>ocsp --Certificate checking is performed by an OCSP server.</li> </ul> If a second and third method are specified, each method will be used only if the previous method returns an error, such as a server being down.
<b>Step 8</b>	<b>exit</b>  <b>Example:</b>  <pre>Device(ca-trustpoint)# exit</pre>	Exits ca-trustpoint configuration mode and returns to global configuration mode.
<b>Step 9</b>	<b>exit</b>  <b>Example:</b>  <pre>Device(config)# exit</pre>	Returns to privileged EXEC mode.
<b>Step 10</b>	<b>show cry pki counters</b>  <b>Example:</b>  <pre>Device# show cry pki counters</pre>	(Optional) Displays the PKI counters of the device.

## Configuring PKI Server to Include EKU Attributes

Perform this task to configure OCSP (Online Certificate Status Protocol) response stapling.



### SUMMARY STEPS

1. enable
2. configure terminal
3. ip http server
4. crypto pki server *cs-label*
5. eku request *attribute*
6. exit
7. exit
8. show crypto pki counters

### DETAILED STEPS

	Command or Action	Purpose
Step 1	<p><b>enable</b></p> <p><b>Example:</b> Device&gt; enable</p>	<p>Enables privileged EXEC mode.</p> <p>1 Enter your password if prompted.</p>
Step 2	<p><b>configure terminal</b></p> <p><b>Example:</b> Device# configure terminal</p>	<p>Enters global configuration mode.</p>
Step 3	<p><b>ip http server</b></p> <p><b>Example:</b> Device(config)# ip http server</p>	<p>Enables the HTTP server on your system.</p>
Step 4	<p><b>crypto pki server <i>cs-label</i></b></p> <p><b>Example:</b> Device(config)# crypto pki server server-pki</p>	<p>Defines a label for the certificate server and enters certificate server configuration mode.</p> <p><b>Note</b> If you manually generated an RSA key pair, the <i>cs-label</i> argument must match the name of the key pair.</p>
Step 5	<p><b>eku request <i>attribute</i></b></p> <p><b>Example:</b> Device(cs-server)# eku request ssh-server</p>	<p>Requests to include specified eku <i>attribute</i> in the certificate.</p> <p>The <i>attribute</i> argument can be one of the following:</p> <ul style="list-style-type: none"> <li>• client-auth</li> <li>• code-signing</li> <li>• email-protection</li> <li>• ipsec-end-system</li> <li>• ipsec-tunnel</li> <li>• ipsec-user</li> <li>• ocsf-signing</li> </ul>

	Command or Action	Purpose
		<ul style="list-style-type: none"> <li>• server-auth</li> <li>• time-stamping</li> <li>• ssh-server</li> <li>• ssh-client</li> </ul>
<b>Step 6</b>	<b>exit</b>  <b>Example:</b> Device(cs-server)# exit	Exits cs-server configuration mode and returns to global configuration mode.
<b>Step 7</b>	<b>exit</b>  <b>Example:</b> Device(config)# exit	Returns to privileged EXEC mode.
<b>Step 8</b>	<b>show crypto pki counters</b>  <b>Example:</b> Device# show crypto pki counters	(Optional) Displays the PKI counters of the device.

The following is sample output from the **show crypto pki counters**.

```
Device# show crypto pki counters

PKI Sessions Started: 0
PKI Sessions Ended: 0
PKI Sessions Active: 0
Successful Validations: 0
Failed Validations: 0
Bypassed Validations: 0
Pending Validations: 0
CRLs checked: 0
CRL - fetch attempts: 0
CRL - failed attempts: 0
CRL - rejected busy fetching: 0
OCSP - fetch requests: 0
OCSP - received responses: 0
OCSP - failed attempts: 0
OCSP - staple requests: 0
AAA authorizations: 0
```

## Additional References for OCSP Response Stapling

### Related Documents

Related Topic	Document Title
Cisco IOS commands	<a href="#">Master Command List, All Releases</a>

Related Topic	Document Title
Security commands	<ul style="list-style-type: none"> <li>• <a href="#">Cisco IOS Security Command Reference Commands A to C</a></li> <li>• <a href="#">Cisco IOS Security Command Reference Commands D to L</a></li> <li>• <a href="#">Cisco IOS Security Command Reference Commands M to R</a></li> <li>• <a href="#">Cisco IOS Security Command Reference Commands S to Z</a></li> </ul>

### Standards and RFCs

Standard/RFC	Title
RFC 2560	<i>X.509 Internet Public Key Infrastructure Online Certificate Status Protocol - OCSP</i>
RFC 4806	<i>Online Certificate Status Protocol (OCSP) Extensions to IKEv2</i>
RFC 5280	<i>Internet X.509 Public Key Infrastructure Certificate and Certificate Revocation List (CRL) Profile</i>
RFC 6187	<i>X.509v3 Certificates for Secure Shell Authentication</i>
RFC 6066	<i>Transport Layer Security (TLS) Extensions: Extension Definitions</i>

### MIBs

MIB	MIBs Link
	<p>To locate and download MIBs for selected platforms, Cisco IOS releases, and feature sets, use Cisco MIB Locator found at the following URL:</p> <p><a href="http://www.cisco.com/go/mibs">http://www.cisco.com/go/mibs</a></p>

**Technical Assistance**

Description	Link
<p>The Cisco Support website provides extensive online resources, including documentation and tools for troubleshooting and resolving technical issues with Cisco products and technologies.</p> <p>To receive security and technical information about your products, you can subscribe to various services, such as the Product Alert Tool (accessed from Field Notices), the Cisco Technical Services Newsletter, and Really Simple Syndication (RSS) Feeds.</p> <p>Access to most tools on the Cisco Support website requires a Cisco.com user ID and password.</p>	<p><a href="http://www.cisco.com/support">http://www.cisco.com/support</a></p>

## Feature Information for OCSP Response Stapling

The following table provides release information about the feature or features described in this module. This table lists only the software release that introduced support for a given feature in a given software release train. Unless noted otherwise, subsequent releases of that software release train also support that feature.

Use Cisco Feature Navigator to find information about platform support and Cisco software image support. To access Cisco Feature Navigator, go to [www.cisco.com/go/cfn](http://www.cisco.com/go/cfn). An account on Cisco.com is not required.

**Table 16: Feature Information for OCSP Response Stapling**

Feature Name	Releases	Feature Information
OCSP Response Stapling	Cisco IOS XE Release 3.14S	This feature allows you to check the validity of a peer's user or device credentials contained in a digital certificate using Online Certificate Status Protocol (OCSP).