



Cisco Wide Area Application Services Command Reference

Software Release 4.2.1
June 22, 2010

Americas Headquarters
Cisco Systems, Inc.
170 West Tasman Drive
San Jose, CA 95134-1706
USA
<http://www.cisco.com>
Tel: 408 526-4000
800 553-NETS (6387)
Fax: 408 527-0883

Text Part Number: OL-21611-01

THE SPECIFICATIONS AND INFORMATION REGARDING THE PRODUCTS IN THIS MANUAL ARE SUBJECT TO CHANGE WITHOUT NOTICE. ALL STATEMENTS, INFORMATION, AND RECOMMENDATIONS IN THIS MANUAL ARE BELIEVED TO BE ACCURATE BUT ARE PRESENTED WITHOUT WARRANTY OF ANY KIND, EXPRESS OR IMPLIED. USERS MUST TAKE FULL RESPONSIBILITY FOR THEIR APPLICATION OF ANY PRODUCTS.

THE SOFTWARE LICENSE AND LIMITED WARRANTY FOR THE ACCOMPANYING PRODUCT ARE SET FORTH IN THE INFORMATION PACKET THAT SHIPPED WITH THE PRODUCT AND ARE INCORPORATED HEREIN BY THIS REFERENCE. IF YOU ARE UNABLE TO LOCATE THE SOFTWARE LICENSE OR LIMITED WARRANTY, CONTACT YOUR CISCO REPRESENTATIVE FOR A COPY.

The Cisco implementation of TCP header compression is an adaptation of a program developed by the University of California, Berkeley (UCB) as part of UCB's public domain version of the UNIX operating system. All rights reserved. Copyright © 1981, Regents of the University of California.

NOTWITHSTANDING ANY OTHER WARRANTY HEREIN, ALL DOCUMENT FILES AND SOFTWARE OF THESE SUPPLIERS ARE PROVIDED "AS IS" WITH ALL FAULTS. CISCO AND THE ABOVE-NAMED SUPPLIERS DISCLAIM ALL WARRANTIES, EXPRESSED OR IMPLIED, INCLUDING, WITHOUT LIMITATION, THOSE OF MERCHANTABILITY, FITNESS FOR A PARTICULAR PURPOSE AND NONINFRINGEMENT OR ARISING FROM A COURSE OF DEALING, USAGE, OR TRADE PRACTICE.

IN NO EVENT SHALL CISCO OR ITS SUPPLIERS BE LIABLE FOR ANY INDIRECT, SPECIAL, CONSEQUENTIAL, OR INCIDENTAL DAMAGES, INCLUDING, WITHOUT LIMITATION, LOST PROFITS OR LOSS OR DAMAGE TO DATA ARISING OUT OF THE USE OR INABILITY TO USE THIS MANUAL, EVEN IF CISCO OR ITS SUPPLIERS HAVE BEEN ADVISED OF THE POSSIBILITY OF SUCH DAMAGES.

CCDE, CCENT, CCSI, Cisco Eos, Cisco HealthPresence, Cisco IronPort, the Cisco logo, Cisco Nurse Connect, Cisco Pulse, Cisco SensorBase, Cisco StackPower, Cisco StadiumVision, Cisco TelePresence, Cisco Unified Computing System, Cisco WebEx, DCE, Flip Channels, Flip for Good, Flip Mino, Flipshare (Design), Flip Ultra, Flip Video, Flip Video (Design), Instant Broadband, and Welcome to the Human Network are trademarks; Changing the Way We Work, Live, Play, and Learn, Cisco Capital, Cisco Capital (Design), Cisco:Financed (Stylized), Cisco Store, Flip Gift Card, and One Million Acts of Green are service marks; and Access Registrar, Aironet, AllTouch, AsyncOS, Bringing the Meeting To You, Catalyst, CCDA, CCDP, CCIE, CCIP, CCNA, CCNP, CCSP, CCVP, Cisco, the Cisco Certified Internetwork Expert logo, Cisco IOS, Cisco Lumin, Cisco Nexus, Cisco Press, Cisco Systems, Cisco Systems Capital, the Cisco Systems logo, Cisco Unity, Collaboration Without Limitation, Continuum, EtherFast, EtherSwitch, Event Center, Explorer, Follow Me Browsing, GainMaker, iLYNX, IOS, iPhone, IronPort, the IronPort logo, Laser Link, LightStream, Linksys, MeetingPlace, MeetingPlace Chime Sound, MGX, Networkers, Networking Academy, PCNow, PIX, PowerKEY, PowerPanels, PowerTV, PowerTV (Design), PowerVu, Prisma, ProConnect, ROSA, SenderBase, SMARTnet, Spectrum Expert, StackWise, WebEx, and the WebEx logo are registered trademarks of Cisco Systems, Inc. and/or its affiliates in the United States and certain other countries.

All other trademarks mentioned in this document or website are the property of their respective owners. The use of the word partner does not imply a partnership relationship between Cisco and any other company. (0910R)

Any Internet Protocol (IP) addresses used in this document are not intended to be actual addresses. Any examples, command display output, and figures included in the document are shown for illustrative purposes only. Any use of actual IP addresses in illustrative content is unintentional and coincidental.

Cisco Wide Area Application Services Command Reference
© 2006-2010 Cisco Systems, Inc. All rights reserved.



CONTENTS

Preface xvii

CHAPTER 1

Using the WAAS Command-Line Interface	1-1
About the WAAS	1-1
Command Line Interface	1-2
Graphical User Interface	1-2
Using Command Modes	1-2
Organization of the WAAS CLI	1-3
Using EXEC Mode	1-4
EXEC Mode Levels	1-4
EXEC Mode Command-Line Processing	1-5
Using Global Configuration Mode	1-5
Configuration Submodes	1-6
Exiting Configuration Mode	1-6
Using Interface Configuration Mode	1-6
Using ACL Configuration Modes	1-7
Using Preposition Configuration Mode	1-7
Using Virtual Blade Configuration Mode	1-7
Using PKI Certificate Authority Configuration Mode	1-7
Using PKI Global Settings Configuration Mode	1-8
Using SSL Accelerated Service Configuration Mode	1-8
Using SSL Cipher List Configuration Mode	1-8
Using SSL Global Service Configuration Mode	1-8
Using SSL Host Peering Service Configuration Mode	1-9
Using SSL Management Service Configuration Mode	1-9
Command Modes Summary	1-9
Device Mode	1-11
Changing the Device Mode	1-11
Displaying the Configured Device Mode	1-12
Using Command-Line Processing	1-12
Checking Command Syntax	1-13
Using the no Form of Commands	1-14
Using System Help	1-14
Saving Configuration Changes	1-15

WAAS Directories on a WAE	1-15
Navigating WAAS Directories	1-15
Directory Descriptions	1-16
Managing WAAS Files Per Device	1-18

CHAPTER 2

Cisco WAAS Software Command Summary 2-1

CHAPTER 3

CLI Commands 3-1

EXEC Mode Commands 3-3

cd	3-4
cifs	3-5
clear arp-cache	3-7
clear cache	3-8
clear cdp	3-10
clear ip	3-11
clear license	3-12
clear logging	3-13
clear statistics	3-14
clear statistics accelerator	3-16
clear statistics connection	3-17
clear transaction-log	3-19
clear users	3-20
clear windows-domain-log	3-22
clock	3-23
cms	3-24
cms secure-store	3-27
configure	3-30
copy cdrom	3-31
copy cdrom wow-recovery	3-32
copy compactflash	3-33
copy disk	3-34
copy ftp	3-36
copy http	3-39
copy running-config	3-42
copy startup-config	3-44

copy sysreport	3-45
copy system-status	3-47
copy tech-support	3-48
copy tftp	3-50
copy virtual-blade	3-51
cpfile	3-52
crypto delete	3-53
crypto export	3-54
crypto generate	3-56
crypto import	3-58
crypto pki	3-60
debug aaa accounting	3-61
debug aaa authorization	3-63
debug accelerator	3-65
debug all	3-69
debug authentication	3-71
debug buf	3-73
debug cdp	3-75
debug cli	3-77
debug cms	3-79
debug dataserver	3-81
debug dhcp	3-83
debug dre	3-85
debug egress-method	3-87
debug emdb	3-89
debug epm	3-91
debug flow	3-93
debug generic-gre	3-95
debug key-manager	3-97
debug logging	3-99
debug ntp	3-101
debug print-spooler	3-103
debug rbc	3-105
debug rpc	3-107
debug snmp	3-109

debug stats 3-111
debug tfo 3-113
debug translog 3-115
debug wafs 3-117
debug wccp 3-119
delfile 3-121
deltree 3-122
dir 3-123
disable 3-125
disk 3-126
dnslookup 3-129
enable 3-130
exit 3-131
find-pattern 3-132
help 3-134
install 3-135
less 3-137
license add 3-138
lls 3-139
ls 3-141
mkdir 3-143
mkfile 3-144
ntpdate 3-145
ping 3-146
pwd 3-147
reload 3-148
rename 3-149
restore 3-150
rmdir 3-154
scp 3-155
script 3-157
setup 3-158
show aaa accounting 3-159
show aaa authorization 3-161
show accelerator 3-162

show alarms	3-164
show arp	3-167
show authentication	3-168
show auto-discovery	3-170
show auto-register	3-171
show banner	3-172
show bypass	3-173
show cache http-metadatacache	3-174
show cdp	3-176
show cifs	3-182
show clock	3-184
show cms	3-186
show cms secure-store	3-189
show crypto	3-190
show debugging	3-192
show device-id	3-193
show device-mode	3-194
show directed-mode	3-196
show disks	3-197
show egress-methods	3-204
show filtering list	3-205
show flash	3-207
show hardware	3-208
show hosts	3-211
show inetd	3-212
show interface	3-213
show inventory	3-218
show ip access-list	3-219
show ip routes	3-221
show kdump	3-222
show kerberos	3-223
show key-manager	3-224
show license	3-225
show logging	3-226
show memory	3-227

show ntp 3-228

show peer optimization 3-230

show policy-engine application 3-231

show policy-engine status 3-235

show print-services 3-237

show processes 3-239

show radius-server 3-241

show running-config 3-243

show services 3-245

show smb-conf 3-246

show snmp 3-248

show ssh 3-254

show startup-config 3-255

show statistics accelerator 3-257

show statistics aoim 3-287

show statistics application 3-291

show statistics authentication 3-294

show statistics auto-discovery 3-295

show statistics cifs 3-298

show statistics connection 3-300

show statistics connection auto-discovery 3-304

show statistics connection closed 3-306

show statistics connection conn-id 3-309

show statistics connection egress-methods 3-312

show statistics connection optimized 3-316

show statistics connection pass-through 3-319

show statistics crypto ssl ciphers 3-321

show statistics datamover 3-322

show statistics directed-mode 3-324

show statistics dre 3-325

show statistics filtering 3-328

show statistics flow 3-331

show statistics generic-gre 3-334

show statistics icmp 3-335

show statistics ip 3-337

[show statistics netstat](#) 3-340

[show statistics pass-through](#) 3-341

[show statistics peer](#) 3-343

[show statistics radius](#) 3-346

[show statistics services](#) 3-348

[show statistics snmp](#) 3-349

[show statistics synq](#) 3-351

[show statistics tacacs](#) 3-352

[show statistics tcp](#) 3-354

[show statistics tfo](#) 3-358

[show statistics udp](#) 3-362

[show statistics wccp](#) 3-363

[show statistics windows-domain](#) 3-367

[show statistics windows-print requests](#) 3-369

[show synq list](#) 3-371

[show sysfs volumes](#) 3-372

[show tacacs](#) 3-373

[show tcp](#) 3-375

[show tech-support](#) 3-377

[show telnet](#) 3-380

[show tfo tcp](#) 3-381

[show transaction-logging](#) 3-382

[show user](#) 3-384

[show users administrative](#) 3-385

[show version](#) 3-387

[show virtual-blade](#) 3-388

[show wccp](#) 3-391

[show windows-domain](#) 3-397

[shutdown](#) 3-399

[snmp trigger](#) 3-402

[ssh](#) 3-406

[tcpdump](#) 3-407

[telnet](#) 3-409

[terminal](#) 3-410

[test](#) 3-411

tethereal 3-414
top 3-416
traceroute 3-418
transaction-log 3-419
type 3-420
type-tail 3-421
virtual-blade 3-423
wafs 3-425
whoami 3-427
windows-domain 3-428
write 3-431

Global Configuration Mode Commands 3-432

(config) aaa accounting 3-433
(config) aaa authorization commands 3-436
(config) accelerator cifs 3-437
(config) accelerator cifs preposition 3-439
(config) accelerator epm 3-441
(config) accelerator http 3-442
(config) accelerator mapi 3-444
(config) accelerator nfs 3-446
(config) accelerator ssl 3-447
(config) accelerator video 3-449
(config) accelerator windows-print 3-451
(config) alarm overload-detect 3-452
(config) asset 3-454
(config) authentication configuration 3-455
(config) authentication content-request 3-460
(config) authentication fail-over 3-464
(config) authentication login 3-466
(config) authentication strict-password-policy 3-471
(config) auto-discovery 3-473
(config) auto-register 3-474
(config) banner 3-476
(config) bypass 3-479
(config) cdp 3-481

(config) central-manager	3-482
(config) clock	3-484
(config) cms	3-488
(config) crypto pki	3-491
(config) crypto ssl	3-492
(config) device mode	3-494
(config) directed-mode	3-496
(config) disk disk-name	3-497
(config) disk encrypt	3-499
(config) disk error-handling	3-500
(config) disk logical shutdown	3-501
(config) disk object-cache extend	3-502
(config) egress-method	3-503
(config) end	3-505
(config) exec-timeout	3-506
(config) exit	3-507
(config) flow monitor	3-508
(config) help	3-509
(config) hostname	3-511
(config) inetd	3-513
(config) inline vlan-id-connection-check	3-514
(config) interception access-list	3-515
(config) interface GigabitEthernet	3-517
(config) interface InlineGroup	3-522
(config) interface PortChannel	3-525
(config) interface standby	3-527
(config) ip	3-528
(config) ip access-list	3-530
(config) kerberos	3-533
(config) kernel kdb	3-535
(config) kernel kdump	3-536
(config) line	3-537
(config) logging console	3-538
(config) logging disk	3-540
(config) logging facility	3-542

(config) logging host 3-544

(config) ntp 3-546

(config) peer 3-548

(config) policy-engine application classifier 3-549

(config) policy-engine application map adaptor EPM 3-551

(config) policy-engine application map adaptor WAFS transport 3-553

(config) policy-engine application map basic 3-555

(config) policy-engine application map other optimize DRE 3-558

(config) policy-engine application map other optimize full 3-560

(config) policy-engine application map other pass-through 3-561

(config) policy-engine application name 3-562

(config) policy-engine application set-dscp 3-564

(config) policy-engine config 3-566

(config) port-channel 3-568

(config) primary-interface 3-569

(config) print-services 3-571

(config) radius-server 3-573

(config) smb-conf 3-575

(config) snmp-server access-list 3-579

(config) snmp-server community 3-580

(config) snmp-server contact 3-582

(config) snmp-server enable traps 3-583

(config) snmp-server group 3-586

(config) snmp-server host 3-588

(config) snmp-server location 3-590

(config) snmp-server mib 3-591

(config) snmp-server notify inform 3-593

(config) snmp-server trap-source 3-594

(config) snmp-server user 3-595

(config) snmp-server view 3-597

(config) sshd 3-598

(config) ssh-key-generate 3-601

(config) tacacs 3-602

(config) tcp 3-605

(config) telnet enable 3-607

(config) tfo exception	3-608
(config) tfo optimize	3-609
(config) tfo tcp adaptive-buffer-sizing	3-610
(config) tfo tcp keepalive	3-611
(config) tfo tcp optimized-mss	3-612
(config) tfo tcp optimized-receive-buffer	3-613
(config) tfo tcp optimized-send-buffer	3-614
(config) tfo tcp original-mss	3-615
(config) tfo tcp original-receive-buffer	3-616
(config) tfo tcp original-send-buffer	3-617
(config) transaction-logs	3-618
(config) username	3-621
(config) virtual-blade	3-623
(config) wccp access-list	3-625
(config) wccp flow-redirect	3-628
(config) wccp router-list	3-629
(config) wccp shutdown	3-631
(config) wccp tcp-promiscuous mask	3-633
(config) wccp tcp-promiscuous router-list-num	3-634
(config) wccp version	3-636
(config) windows-domain	3-637

Interface Configuration Mode Commands 3-640

(config-if) autosense	3-641
(config-if) bandwidth	3-642
(config-if) cdp	3-644
(config-if) encapsulation dot1Q	3-646
(config-if) exit	3-647
(config-if) failover timeout	3-648
(config-if) full-duplex	3-649
(config-if) half-duplex	3-651
(config-if) inline	3-653
(config-if) ip	3-655
(config-if) ip access-group	3-657
(config-if) mtu	3-658
(config-if) shutdown	3-659

(config-if) standby 3-660

Standard ACL Configuration Mode Commands 3-662

(config-std-nacl) delete 3-665

(config-std-nacl) deny 3-666

(config-std-nacl) exit 3-668

(config-std-nacl) list 3-669

(config-std-nacl) move 3-670

(config-std-nacl) permit 3-671

Extended ACL Configuration Mode Commands 3-673

(config-ext-nacl) delete 3-676

(config-ext-nacl) deny 3-677

(config-ext-nacl) exit 3-682

(config-ext-nacl) list 3-683

(config-ext-nacl) move 3-684

(config-ext-nacl) permit 3-685

Preposition Configuration Mode Commands 3-691

(config-preposition) credentials 3-693

(config-preposition) dscp 3-694

(config-preposition) duration 3-695

(config-preposition) enable 3-696

(config-preposition) ignore-hidden-dir 3-697

(config-preposition) max-cache 3-698

(config-preposition) max-file-size 3-699

(config-preposition) min-file-size 3-700

(config-preposition) name 3-701

(config-preposition) pattern 3-702

(config-preposition) recursive 3-703

(config-preposition) root 3-704

(config-preposition) scan-type 3-705

(config-preposition) schedule 3-706

(config-preposition) server 3-708

Virtual Blade Configuration Mode Commands 3-709

(config-vb) autostart 3-711

(config-vb) boot 3-712

(config-vb) cpu-list 3-714
(config-vb) description 3-716
(config-vb) device 3-717
(config-vb) disk 3-720
(config-vb) interface 3-722
(config-vb) memory 3-723
(config-vb) vnc 3-724

PKI Certificate Authority Configuration Mode Commands 3-725

(config-ca) ca-certificate 3-727
(config-ca) description 3-728
(config-ca) revocation-check 3-729

PKI Global Settings Configuration Mode Commands 3-731

(config-pki-global-settings) ocsp 3-732
(config-pki-global-settings) revocation-check 3-733

SSL Accelerated Service Configuration Mode Commands 3-735

(config-ssl-accelerated) cipher-list 3-737
(config-ssl-accelerated) client-cert-verify 3-738
(config-ssl-accelerated) client-version-rollback-check 3-739
(config-ssl-accelerated) description 3-740
(config-ssl-accelerated) inservice 3-741
(config-ssl-accelerated) server-cert-key 3-742
(config-ssl-accelerated) server-cert-verify 3-743
(config-ssl-accelerated) server-domain 3-744
(config-ssl-accelerated) server-ip 3-745
(config-ssl-accelerated) server-name 3-746
(config-ssl-accelerated) version 3-747

SSL Cipher List Configuration Mode Commands 3-749

(config-cipher-list) cipher 3-750

SSL Global Service Configuration Mode Commands 3-753

(config-ssl-global) cipher-list 3-755
(config-ssl-global) machine-cert-key 3-756
(config-ssl-global) version 3-757

SSL Host Peering Service Configuration Mode Commands 3-759

(config-ssl-peering) cipher-list 3-761

(config-ssl-peering) peer-cert-verify 3-762

(config-ssl-peering) version 3-763

SSL Management Service Configuration Mode Commands 3-765

(config-ssl-mgmt) cipher-list 3-767

(config-ssl-mgmt) peer-cert-verify 3-768

(config-ssl-mgmt) version 3-769

APPENDIX A

Acronyms and Abbreviations A-1

**CLI COMMAND
SUMMARY BY
MODE**



Preface

This preface describes who should read the *Cisco Wide Area Application Services Command Reference*, how it is organized, and its document conventions. It contains the following sections:

- [Audience, page xvii](#)
- [Document Organization, page xvii](#)
- [Document Conventions, page xviii](#)
- [Related Documentation, page xix](#)
- [Obtaining Documentation and Submitting a Service Request, page xx](#)

Audience

This command reference is intended for administrators who want to use the command-line interface (CLI) of the Wide Area Application Services (WAAS) software to configure, manage, and monitor WAAS devices on a per-device basis. This guide assumes that the WAAS device is running the WAAS software. The guide provides descriptions and syntax of the WAAS CLI command.

Document Organization

This command reference includes the following chapters:

Chapter	Description
Chapter 1, “Using the WAAS Command-Line Interface”	Describes how to use the command-line interface.
Chapter 2, “Cisco WAAS Software Command Summary”	Lists WAAS software commands, providing a brief description of each.

Chapter	Description
Chapter 3, “CLI Commands”	<p>Provides detailed information for the following types of CLI commands for the WAAS software:</p> <ul style="list-style-type: none"> • Commands you can enter after you log in to the WAAS device (EXEC mode). • Configuration mode commands that you can enter after you log in to the WAAS device, and then access configuration mode and its subset of modes. <p>The description of each command includes the syntax of the command and any related commands, when appropriate.</p>
Appendix A, “Acronyms and Abbreviations”	Defines the acronyms used in this publication.
CLI Command Summary by Mode	Lists each command by command mode.

Document Conventions

This command reference uses these basic conventions to represent text and table information:

Convention	Description
boldface font	Commands, keywords, and button names are in boldface .
<i>italic font</i>	Variables for which you supply values are in <i>italics</i> . Directory names and filenames are also in italics.
screen font	Terminal sessions and information the system displays are printed in screen font.
boldface screen font	Information you must enter is in boldface screen font .
<i>italic screen font</i>	Variables you enter are printed in <i>italic screen font</i> .
plain font	Enter one of a range of options as listed in the syntax description.
^D or Ctrl-D	Hold the Ctrl key while you press the D key.
string	<p>Defined as a nonquoted set of characters.</p> <p>For example, when setting a community string for SNMP to “public,” do not use quotation marks around the string, or the string will include the quotation marks.</p>
Vertical bars ()	Vertical bars separate alternative, mutually exclusive, elements.
{ }	Elements in braces are required elements.
[]	Elements in square brackets are optional.
{x y z}	Required keywords are grouped in braces and separated by vertical bars.
[x y z]	Optional keywords are grouped in brackets and separated by vertical bars.
[{ }]	Braces within square brackets indicate a required choice within an optional element.

**Note**

Means *reader take note*. Notes contain helpful suggestions or references to materials not contained in the manual.

**Caution**

Means *reader be careful*. In this situation, you might do something that could result in equipment damage or loss of data.

Related Documentation

For additional information on the Cisco WAAS software and hardware, see the following documentation:

- [Release Note for Cisco Wide Area Application Services](#)
- [Cisco Wide Area Application Services Upgrade Guide](#)
- [Cisco Wide Area Application Services Command Reference](#) (this manual)
- [Cisco Wide Area Application Services Quick Configuration Guide](#)
- [Cisco Wide Area Application Services Configuration Guide](#) (this manual)
- [Cisco Wide Area Application Services API Reference](#)
- [Cisco WAAS Installation and Configuration Guide for Windows on a Virtual Blade](#)
- [Cisco WAAS Troubleshooting Guide for Release 4.1.3 and Later](#)
- [Cisco WAAS on Service Modules for Cisco Access Routers](#)
- [Cisco SRE Service Module Configuration and Installation Guide](#)
- [Configuring Cisco WAAS Network Modules for Cisco Access Routers](#)
- [WAAS Enhanced Network Modules](#)
- [Cisco Wide Area Application Services Online Help](#)
- [Using the Print Utilities to Troubleshoot and Fix Samba Driver Installation Problems](#)
- [Regulatory Compliance and Safety Information for the Cisco Wide Area Virtualization Engines](#)
- [Cisco Wide Area Virtualization Engine 274 and 474 Hardware Installation Guide](#)
- [Cisco Wide Area Virtualization Engine 574 Hardware Installation Guide](#)
- [Regulatory Compliance and Safety Information for the Cisco Content Networking Product Series](#)
- [Cisco Wide Area Application Engine 512 and 612 Hardware Installation Guide](#)
- [Cisco Wide Area Application Engine 7326 Hardware Installation Guide](#)
- [Cisco Wide Area Application Engine 7341, 7371, and 674 Hardware Installation Guide](#)
- [Installing the Cisco WAE Inline Network Adapter](#)

Obtaining Documentation and Submitting a Service Request

For information on obtaining documentation, submitting a service request, and gathering additional information, see the monthly *What's New in Cisco Product Documentation*, which also lists all new and revised Cisco technical documentation, at:

<http://www.cisco.com/en/US/docs/general/whatsnew/whatsnew.html>

Subscribe to the *What's New in Cisco Product Documentation* as a Really Simple Syndication (RSS) feed and set content to be delivered directly to your desktop using a reader application. The RSS feeds are a free service and Cisco currently supports RSS version 2.0.



CHAPTER 1

Using the WAAS Command-Line Interface

This chapter describes how to use the WAAS CLI, including an explanation of CLI command modes, navigation and editing features, and help features.

This chapter includes the following sections:

- [About the WAAS, page 1-1](#)
- [Using Command Modes, page 1-2](#)
- [Using Command-Line Processing, page 1-12](#)
- [Checking Command Syntax, page 1-13](#)
- [Using the no Form of Commands, page 1-14](#)
- [Using System Help, page 1-14](#)
- [Saving Configuration Changes, page 1-15](#)
- [WAAS Directories on a WAE, page 1-15](#)
- [Managing WAAS Files Per Device, page 1-18](#)

About the WAAS

The Cisco WAAS software command-line interface (CLI) is used in combination with the WAAS Manager GUI to configure, monitor, and maintain a WAAS device. The CLI on a WAAS device can be accessed directly through the console port of an attached PC or remotely through a Telnet session on a PC running terminal emulation software.



Note

The WAAS software runs on the WAE-512, WAE-612, WAE-674, WAE-7326, WAE-7341, WAE-7371, and on WAE-NME network modules that are connected to specific Cisco routers. You must deploy the WAAS Central Manager on a dedicated appliance.

Throughout this book, the term WAAS device refers collectively to a WAAS Central Manager and a WAE. The term WAE refers collectively to the supported WAE platforms that are running on the WAAS software unless otherwise noted.

Command Line Interface

The WAAS CLI allows you to configure, manage, and monitor WAAS devices on a per-device basis through a console connection or a terminal emulation program. The WAAS CLI also allows you to configure certain features that are only supported through the WAAS CLI (for example, configuring LDAP signing on a WAE).

The instructions and examples in this guide describe only those features that can be configured on an individual WAAS device using the WAAS CLI.

Graphical User Interface

In addition to the WAAS CLI, there are three WAAS graphical user interfaces (GUIs) that you access from your browser:

- The WAAS Central Manager GUI allows you to centrally configure, manage, and monitor a WAE or group of WAEs that are registered with the WAAS Central Manager. You also use this GUI to configure, manage, and monitor the WAAS Central Manager, which is the dedicated appliance on which the WAAS Central Manager GUI is running.

**Note**

When you use the WAAS Central Manager GUI, you have the added capability of centrally configuring settings and policies for groups of WAEs (device groups). When you use the WAAS CLI, you can only configure settings and policies on a per-device basis.

- The WAE Device Manager GUI allows you to remotely configure, manage, and monitor an individual WAE through your browser. In many cases, the same device settings can be found in both the WAE Device Manager GUI and the WAAS Central Manager GUI. For this reason, we strongly recommend that you always configure a WAE from the WAAS Central Manager GUI whenever possible.
- The WAAS Print Services Administration GUI allows you to remotely configure an individual WAAS print server and view a list of active and completed print jobs. You can access the WAAS Print Services Administration GUI from either the WAAS Central Manager GUI or the WAE Device Manager GUI.

The WAAS GUIs are the primary resources for configuration and monitoring WAEs. We strongly recommend that you use the WAAS Central Manager GUI instead of the WAAS CLI, whenever possible. For more information about how to use the WAAS GUIs to configure, manage, and monitor your WAAS devices, see the *Cisco Wide Area Application Services Configuration Guide*.

We recommend that you be familiar with the basic concepts and terminology used in internetworking, in your network topology, and in the protocols that the devices in your network can use. We also recommend that you have a working knowledge of the operating systems on which you are running your WAAS network, such as Microsoft Windows, Linux, or Solaris. This guide is not a tutorial.

Using Command Modes

The CLI for WAAS software is similar to the CLI for Cisco IOS software. Like Cisco IOS software, the WAAS CLI is organized into different command and configuration modes. Each mode provides access to a specific set of commands. This section describes the command modes provided by the WAAS software CLI and includes the following topics:

- [Organization of the WAAS CLI, page 1-3](#)
- [Using EXEC Mode, page 1-4](#)
- [Using Global Configuration Mode, page 1-5](#)
- [Using Interface Configuration Mode, page 1-6](#)
- [Using ACL Configuration Modes, page 1-7](#)
- [Using Preposition Configuration Mode, page 1-7](#)
- [Using Virtual Blade Configuration Mode, page 1-7](#)
- [Using PKI Certificate Authority Configuration Mode, page 1-7](#)
- [Using PKI Global Settings Configuration Mode, page 1-8](#)
- [Using SSL Accelerated Service Configuration Mode, page 1-8](#)
- [Using SSL Cipher List Configuration Mode, page 1-8](#)
- [Using SSL Global Service Configuration Mode, page 1-8](#)
- [Using SSL Host Peering Service Configuration Mode, page 1-9](#)
- [Using SSL Management Service Configuration Mode, page 1-9](#)
- [Command Modes Summary, page 1-9](#)
- [Device Mode, page 1-11](#)

Organization of the WAAS CLI

The WAAS software CLI is organized into multiple command modes. Each command mode has its own set of commands that allow you to configure, maintain, and monitor a WAAS Wide Area Application Engine (WAE). The commands available to you at any given time depend on the mode you are in. You can enter a question mark (?) at the system prompt to obtain a list of commands available for each command mode.

The WAAS command modes include the following:

- EXEC mode—Sets, views, and tests system operations. This mode is divided into two access levels: user and privileged. To use the privileged access level, enter the **enable** command at the user access level prompt, and then enter the privileged EXEC password when you see the password prompt.
- Global configuration mode—Sets, views, and tests the configuration of WAAS software features for the entire device. To use this mode, enter the **configure** command from privileged EXEC mode.
- Interface configuration mode—Sets, views, and tests the configuration of a specific interface. To use this mode, enter the **interface** command from global configuration mode.
- Standard ACL configuration mode—Creates and modifies standard access lists on a WAAS device for controlling access to interfaces or applications. To use this mode, enter the **ip access-list standard** command from global configuration mode.
- Extended ACL configuration mode—Creates and modifies extended access lists on a WAAS device for controlling access to interfaces or applications. To use this mode, enter the **ip access-list extended** command.
- Preposition configuration mode—Creates and modifies preposition directives on a WAAS device for prepositioning files for WAFS. To use this mode, enter the **accelerator cifs preposition** command.

- Virtual blade configuration mode—Configures virtual blades that reside in a WAE or WAVE device for additional services, including operating systems and applications, that work with the WAAS device. To use this mode, enter the **virtual-blade** command.
- PKI certificate authority configuration mode—Configures public key infrastructure (PKI) encryption certificate authorities on a WAAS device. To use this mode, enter the **crypto pki ca** command.
- PKI global settings configuration mode—Configures OCSP and revocation checking on a WAAS device. To use this mode, enter the **crypto pki global-settings** command.
- SSL accelerated service configuration mode—Enables and configures secure socket layer (SSL) acceleration on your WAAS system. To use this mode, enter the **crypto ssl service accelerated-service** command.
- SSL cipher list configuration mode—Configures SSL encryption cipher lists on a WAAS device. To use this mode, enter the **crypto ssl cipher-list** command.
- SSL global service configuration mode—Enables and configures basic SSL acceleration settings on your WAAS system. To use this mode, enter the **crypto ssl services global-settings** command.
- SSL host peering service configuration mode—Configures SSL encryption peering services on a WAAS device. To use this mode, enter the **crypto ssl services host-service peering** command.
- SSL management service configuration mode—Configures SSL encryption management service parameters on a WAAS device. To use this mode, enter the **crypto ssl management-service** command.

Modes are accessed in this order: user EXEC mode, privileged EXEC mode, then global configuration mode. From global configuration mode, you can access the configuration submodes (interface configuration mode, standard ACL configuration mode, extended ACL configuration mode, preposition configuration mode, virtual blade configuration mode, PKI certificate authority configuration mode, PKI global settings configuration mode, SSL accelerated service configuration mode, SSL cipher list configuration mode, SSL global service configuration mode, SSL host peering service configuration mode, and SSL management service configuration mode).

Using EXEC Mode

Use the EXEC mode to set, view, and test system operations. The user EXEC commands allow you to connect to remote devices, change terminal line settings on a temporary basis, perform basic tests, and list system information.

Most EXEC mode commands are one-time commands, such as **show** or **more** commands, which show the current configuration status, and **clear** commands, which clear counters or interfaces. EXEC mode commands are not saved across reboots of the WAE.

EXEC Mode Levels

The EXEC mode is divided into two access levels: user and privileged. The user EXEC mode is used by local and general system administrators, while the privileged EXEC mode is used by the root administrator. Use the **enable** and **disable** commands to switch between the two levels.

- User level—Access to the user-level EXEC command line requires a valid password. The user-level EXEC commands are a subset of the privileged-level EXEC commands. The user-level EXEC prompt is the hostname followed by a right angle bracket (>). You can change the hostname using the **hostname** global configuration command.

- Privileged level—The prompt for the privileged-level EXEC command line is the pound sign (#). To execute an EXEC command, enter the command at the EXEC system prompt and press the **Return** key. The following example shows how to access the privileged-level EXEC command line from the user level:

```
WAE> enable
WAE#
```

EXEC Mode Command-Line Processing

Common functions you can use when entering commands in EXEC mode include the following:

- Edit—To edit commands, use the **Delete** or **Backspace** keys when you enter commands at the EXEC prompt.
- Abbreviate—As a shortcut, you can abbreviate commands to the fewest letters that make them unique. For example, the letters **sho** can be entered for the **show** command.
- Display multiple pages—Certain EXEC commands display multiple screens with the following prompt at the bottom of the screen:

```
--More--
```

Press the **Spacebar** to continue the output, or press **Return** to display the next line. Press any other key to return to the prompt. Also, at the --More-- prompt, you can enter a **?** to display the help message.

- Exit—To leave EXEC mode, use the **exit** command at the system prompt:

```
WAE# exit
WAE>
```

- Comment—Any command line that begins with an exclamation point (!) is considered a comment and is ignored.

Using Global Configuration Mode

Use global configuration mode to set, view, and test the configuration of WAAS software features for the entire device. To enter this mode, enter the **configure** command from privileged EXEC mode. The prompt for global configuration mode consists of the hostname of the WAE followed by (config) and the pound sign (#). You must be in global configuration mode to enter global configuration commands.

```
WAE# configure
WAE(config)#
```

Commands entered in global configuration mode update the running configuration file as soon as they are entered. These changes are not saved into the startup configuration file until you enter the **copy running-config startup-config** EXEC mode command. See the [“Saving Configuration Changes” section on page 1-15](#). Once the configuration is saved, it is maintained across WAE reboots.

Configuration changes that you make in global configuration mode on a WAE are propagated to the Centralized Management System (CMS) database on the WAAS Central Manager. CLI changes are sent to the Central Manager after you exit out of configuration mode, or if all configuration mode sessions have been inactive for 10 minutes.

You must be in global configuration mode to enter specific subordinate configuration modes.

Configuration Submodes

Configuration submodes are used for the configuration of specific features within the scope of a given configuration mode. From global configuration mode, you can enter the following configuration submodes:

- Interface configuration mode
- Standard ACL configuration mode
- Extended ACL configuration mode
- Preposition configuration mode
- Virtual blade configuration mode
- PKI certificate authority configuration mode
- PKI global settings configuration mode
- SSL accelerated service configuration mode
- SSL cipher list configuration mode
- SSL global service configuration mode
- SSL host peering service configuration mode
- SSL management service configuration mode

Exiting Configuration Mode

Common functions used in configuration modes include the following:

- Exit current mode—To exit global configuration mode or any subordinate configuration mode, use the **exit** command or **Ctrl-Z**.
- Exit to privileged EXEC mode—To exit to privileged EXEC mode from global configuration mode or any subordinate configuration mode, use the **end** global configuration command:

```
WAE(config)# end
WAE#
```

Using Interface Configuration Mode

Use interface configuration mode to set, view, and test the configuration of WAAS software features on a specific interface. To enter this mode, enter the **interface** command from the global configuration mode. The following example shows how to enter interface configuration mode:

```
WAE# configure
WAE(config)# interface ?
  GigabitEthernet  Select a gigabit ethernet interface to configure
  InlinePort       Select an inline port interface to configure
  PortChannel      Ethernet Channel of interfaces
  Standby          Standby groups

WAE(config)# interface gigabitethernet ?
  <1-2>/ GigabitEthernet slot/port

WAE(config)# interface gigabitethernet 1/0
WAE(config-if)#
```

To exit interface configuration mode, use the **exit** command to return to global configuration mode:

```
WAE(config-if)# exit  
WAE(config)#
```

Using ACL Configuration Modes

Use the ACL configuration modes to create and modify standard and extended access list configuration on a WAAS device. From global configuration mode, you can enter the standard and extended ACL configuration modes.

- Standard—To work with a standard access list, use the **ip access-list standard** command from the global configuration mode prompt. The CLI enters a configuration mode in which all subsequent commands apply to the current access list.
- Extended—To work with an extended access list, use the **ip access-list extended** command from the global configuration mode prompt. The CLI enters a configuration mode in which all subsequent commands apply to the current access list.

To exit an ACL configuration mode, use the **exit** command to return to global configuration mode:

```
WAE(config-std-nacl)# exit  
WAE(config)#
```

Using Preposition Configuration Mode

Use preposition configuration mode to create and modify preposition directives on a WAAS device for prepositioning files for WAFS. To enter this mode, use the **accelerator cifs preposition** command in the global configuration mode.

To exit preposition configuration mode, use the **exit** command to return to global configuration mode:

```
WAE(config-preposition)# exit  
WAE(config)#
```

Using Virtual Blade Configuration Mode

Use virtual blade configuration mode to configure virtual blades within your WAE or WAVE device. A WAAS virtual blade acts as a computer emulator with its own virtualized CPU, memory, firmware, disk drive, CD drive, and network interface card. It works with your WAAS system to provide additional services for the users on your network.

To enter this mode, use the **virtual blade** command from the global configuration mode.

To exit virtual blade configuration mode, use the **exit** command to return to global configuration mode:

```
WAE(config-vb)# exit  
WAE(config)#
```

Using PKI Certificate Authority Configuration Mode

Use PKI certificate authority configuration mode to add and configure a certificate authority.

To enter this mode, use the **crypto pki ca** command from the global configuration mode.

To exit PKI certificate authority configuration mode, use the **exit** command to return to global configuration mode:

```
WAE(config-ca)# exit
WAE(config)#
```

Using PKI Global Settings Configuration Mode

Use PKI global settings configuration mode to configure OCSP and revocation checking.

To enter this mode, use the **crypto pki global-settings** command from the global configuration mode.

To exit PKI global settings configuration mode, use the **exit** command to return to global configuration mode:

```
WAE(config-pki-global-settings)# exit
WAE(config)#
```

Using SSL Accelerated Service Configuration Mode

Use SSL accelerated service configuration mode to enable and configure SSL acceleration on your WAAS system, and define services to be accelerated on the SSL path.

To enter this mode, use the **crypto ssl service accelerated-service** command from the global configuration mode.

To exit SSL accelerated service configuration mode, use the **exit** command to return to global configuration mode:

```
WAE(config-ssl-accelerated)# exit
WAE(config)#
```

Using SSL Cipher List Configuration Mode

Use SSL cipher list configuration mode to configure secure socket layer (SSL) encryption cipher lists on a WAAS device.

To enter this mode, use the **crypto ssl cipher-list** command from the global configuration mode.

To exit SSL cipher list configuration mode, use the **exit** command to return to global configuration mode:

```
WAE(config-cipher-list)# exit
WAE(config)#
```

Using SSL Global Service Configuration Mode

Use SSL global service configuration mode to enable and configure basic SSL acceleration settings on your WAAS system.

To enter this mode, use the **crypto ssl services global-settings** command from the global configuration mode.

To exit SSL global service configuration mode, use the **exit** command to return to global configuration mode:

```
WAE(config-ssl-global)# exit
```

```
WAE(config)#
```

Using SSL Host Peering Service Configuration Mode

Use SSL host peering service configuration mode to configure secure socket layer (SSL) encryption peering services on a WAAS device. SSL peering service configuration parameters control secure communications established by the SSL accelerator between WAE devices while optimizing SSL connections.

To enter this mode, use the **crypto ssl services host-service peering** command from the global configuration mode.

To exit SSL host peering service configuration mode, use the **exit** command to return to global configuration mode:

```
WAE(config-ssl-peering)# exit
WAE(config)#
```

Using SSL Management Service Configuration Mode

Use SSL management service configuration mode to configure SSL parameters used for secure communications between the Central Manager and the WAE devices.

To enter this mode, use the **crypto ssl management-service** command from the global configuration mode.

To exit SSL management service configuration mode, use the **exit** command to return to global configuration mode:

```
WAE(config-ssl-mgmt)# exit
WAE(config)#
```

Command Modes Summary

Table 1-1 shows a summary of the WAAS command modes.

Table 1-1 WAAS Command Modes Summary

Command Mode	Access Method	Prompt	Exit Method
user EXEC	Log in to WAE.	WAE>	To exit, use the end command. To enter privileged EXEC mode, use the enable command.
privileged EXEC	From user EXEC mode, use the enable EXEC command.	WAE#	To return to user EXEC mode, use the disable command. To enter global configuration mode, use the configure command.
global configuration	From privileged EXEC mode, use the configure command.	WAE(config)#	To return to privileged EXEC mode, use the exit command or press Ctrl-Z . To enter a configuration submode, use the specific command related to the submode.

Table 1-1 WAAS Command Modes Summary (continued)

Command Mode	Access Method	Prompt	Exit Method
interface configuration	From global configuration mode, use the interface command.	WAE(config-if)#	To return to global configuration mode, use the exit command. To return to privileged EXEC mode, use the end command or press Ctrl-Z .
standard ACL configuration	From global configuration mode, use the ip access-list standard command.	WAE(config-std-nacl)#	To return to global configuration mode, use the exit command. To return to privileged EXEC mode, use the end command or press Ctrl-Z .
extended ACL configuration	From global configuration mode, use the ip access-list extended command.	WAE(config-ext-nacl)#	To return to global configuration mode, use the exit command. To return to privileged EXEC mode, use the end command or press Ctrl-Z .
preposition configuration	From global configuration mode, use the accelerator cifs preposition command.	WAE(config-preposition)#	To return to global configuration mode, use the exit command. To return to privileged EXEC mode, use the end command or press Ctrl-Z .
virtual blade configuration	From global configuration mode, use the virtual-blade command.	WAE(config-vb)#	To return to global configuration mode, use the exit command. To return to privileged EXEC mode, use the end command or press Ctrl-Z .
PKI certificate authority configuration	From global configuration mode, use the crypto pki ca command.	WAE(config-ca)#	To return to global configuration mode, use the exit command. To return to privileged EXEC mode, use the end command or press Ctrl-Z .
PKI global settings configuration	From global configuration mode, use the crypto pki global-settings command.	WAE(config-pki-global-settings)#	To return to global configuration mode, use the exit command. To return to privileged EXEC mode, use the end command or press Ctrl-Z .
SSL accelerated service configuration	From global configuration mode, use the crypto ssl service accelerated-service command.	WAE(config-ssl-accelerated)#	To return to global configuration mode, use the exit command. To return to privileged EXEC mode, use the end command or press Ctrl-Z .
SSL cipher list configuration	From global configuration mode, use the crypto ssl cipher-list command.	WAE(config-cipher-list)#	To return to global configuration mode, use the exit command. To return to privileged EXEC mode, use the end command or press Ctrl-Z .
SSL global service configuration	From global configuration mode, use the crypto ssl services global-settings command.	WAE(config-ssl-global)#	To return to global configuration mode, use the exit command. To return to privileged EXEC mode, use the end command or press Ctrl-Z .

Table 1-1 WAAS Command Modes Summary (continued)

Command Mode	Access Method	Prompt	Exit Method
SSL host peering service configuration	From global configuration mode, use the crypto ssl services host-service peering command.	WAE(config-ssl-peering)#	To return to global configuration mode, use the exit command. To return to privileged EXEC mode, use the end command or press Ctrl-Z .
SSL management service configuration	From global configuration mode, use the crypto ssl management-service command.	WAE(config-ssl-mgmt)#	To return to global configuration mode, use the exit command. To return to privileged EXEC mode, use the end command or press Ctrl-Z .

Device Mode

The WAAS software allows you to specify the device mode of a WAAS device. In a WAAS network, you must deploy a WAAS device in one of the following device modes:

- Central-manager mode—Mode required by the WAAS Central Manager device.
- Application-accelerator mode—(Default) Mode for a WAAS Accelerator (a Core WAE or Edge WAE) that is running the WAAS software. WAEs are used to optimize TCP traffic over your network. When client and server applications attempt to communicate with each other, the network intercepts and redirects this traffic to the WAEs so that they can act on behalf of the client application and the destination server. The WAEs examine the traffic and use built-in application policies to determine whether to optimize the traffic or allow it to pass through your network unoptimized.



Note

Because WAAS Central Manager must be deployed on a dedicated appliance, a WAAS device can operate only in one device mode: either in central-manager mode or application-accelerator mode.

The set of WAAS CLI commands that are available vary based on the device mode of the WAAS device.

Changing the Device Mode

To change the device mode of a WAAS device, use the **device mode** global configuration command as follows:

```
waas-cm(config)# device mode ?
  application-accelerator  Configure device to function as a WAAS Engine.
  central-manager         Configure device to function as a WAAS Central Manager.
```

For example, after you use the WAAS CLI to specify the basic network parameters for the designated WAAS Central Manager (the WAAS device named waas-cm) and assign it as a primary interface, you can use the **device mode** configuration command to specify its device mode as central-manager.

```
waas-cm# configure
waas-cm(config)#
waas-cm(config)# primary-interface gigabitEthernet 1/0
waas-cm(config)# device mode central-manager
waas-cm(config)# exit
waas-cm# copy run start
waas-cm# reload
Proceed with reload?[confirm] y
```

Shutting down all services, will Reload requested by CLI@ttyS0.
Restarting system.

To display the current mode that the WAAS device is operating in, enter the **show device-mode current EXEC** command:

```
WAE# show device-mode current
Current device mode: application-accelerator
```

Displaying the Configured Device Mode

You can display the configured device mode for a change that has not taken effect by using the **show device-mode configured EXEC** command.

For example, if you changed the device mode to central-manager on a WAAS device (using the **device mode central-manager** global configuration command), but did not save the running configuration (using the **copy run start EXEC** command) then, even though the new device mode has not taken effect, the output for the **show device-mode configured** command would indicate that the configured device mode is central-manager:

```
WAE# show device-mode configured
Configured device mode: central-manager
```

Using Command-Line Processing

Cisco WAAS software commands are not case sensitive. You can abbreviate commands and parameters as long as they contain enough letters to be different from any other currently available commands or parameters.

You can also scroll through the last 20 commands stored in the history buffer and enter or edit the command at the prompt. [Table 1-2](#) lists and describes the function performed by the available WAAS command-line processing options.

Table 1-2 Command-Line Processing Keystroke Combinations

Keystroke Combinations	Function
Ctrl-A	Jumps to the first character of the command line.
Ctrl-B or the Left Arrow key	Moves the cursor back one character.
Ctrl-C	Escapes and terminates prompts and tasks.
Ctrl-D	Deletes the character at the cursor.
Ctrl-E	Jumps to the end of the current command line.
Ctrl-F or the Right Arrow key ¹	Moves the cursor forward one character.
Ctrl-K	Deletes from the cursor to the end of the command line.
Ctrl-L	Repeats the current command line on a new line.
Ctrl-N or the Down Arrow key ¹	Enters the next command line in the history buffer.
Ctrl-P or the Up Arrow key ¹	Enters the previous command line in the history buffer.
Ctrl-T	Transposes the character at the cursor with the character to the left of the cursor.

Table 1-2 *Command-Line Processing Keystroke Combinations (continued)*

Keystroke Combinations	Function
Ctrl-U; Ctrl-X	Deletes from the cursor to the beginning of the command line.
Ctrl-W	Deletes the last word typed.
Esc-B	Moves the cursor back one word.
Esc-D	Deletes from the cursor to the end of the word.
Esc-F	Moves the cursor forward one word.
Delete key or Backspace key	Erases a mistake when entering a command; you must re-enter the command after using this key.

1. The arrow keys function only on ANSI-compatible terminals such as VT100s.

Checking Command Syntax

The caret symbol (^) indicates that you have entered an incorrect command, keyword, or argument at a specific point in the command string.

To set the clock, for example, you can use context-sensitive help to check the syntax for setting the clock.

```
WAE# clock 1222
      ^
%Invalid input detected at '^' marker.
WAE# clock ?
  read-calendar  Read the calendar and update system clock
  set            Set the time and date
  update-calendar Update the calendar with system clock
```

The help output shows that the **set** keyword is required. You can then check the syntax for entering the time.

```
WAE# clock set ?
<0-23>: Current Time (hh:mm:ss)
```

Enter the current time in 24-hour format with hours, minutes, and seconds separated by colons.

```
WAE# clock set 13:32:00
% Incomplete command.
```

The system indicates that you need to provide additional arguments to complete the command. Press the **Up Arrow** to automatically repeat the previous command entry, and then add a space and question mark (?) to display the additional arguments.

```
WAE# clock set 13:32:00 ?
<1-31> Day of the month
  april
  august
  december
  february
  january  Month of the Year
  july
  june
  march
  may
  november
  october
  september
```

Enter the day and month as prompted, and use the question mark for additional instructions.

```
WAE# clock set 13:32:00 23 December ?
      <1993-2035> Year
```

Now you can complete the command entry by entering the year.

```
WAE# clock set 13:32:00 23 December 05
                                     ^
%Invalid input detected at '^' marker.
WAE#
```

The caret symbol (^) and help response indicate an error with the 05 entry. To display the correct syntax, press **Ctrl-P** or the **Up Arrow**. You can also reenter the command string, and then enter a space character, a question mark, and press **Enter**.

```
WAE# clock set 13:32:00 23 December ?
      <1993-2035> Year
WAE# clock set 13:32:00 23 December
```

Enter the year using the correct syntax, and press **Return** to execute the command.

```
WAE# clock set 13:32:00 23 December 2005
WARNING: Setting the clock may cause a temporary service interruption.
Do you want to proceed? [no] yes
Sat Dec 23 13:32:00 EST 2005
WAE#
```

Using the no Form of Commands

Almost every configuration command has a no form. The **no** form of a command is generally used to disable a feature or function, but it can also be used to set the feature or function to its default values. Use the command without the **no** keyword to reenable a disabled feature or to enable a feature that is disabled by default.

Using System Help

You can obtain help when you enter commands by using the following methods:

- For a brief description of the context-sensitive help system, enter **help**.
- To list all commands for a command mode, enter a question mark (?) at the system prompt.
- To obtain a list of commands that start with a particular character set, enter an abbreviated command immediately followed by a question mark (?).

```
WAE# c1?
      clear clock
```

- To list the command keywords or arguments, enter a space and a question mark (?) after the command.

```
WAE# clock ?
      read-calendar  Read the calendar and update system clock
      set            Set the time and date
      update-calendar Update the calendar with system clock
```

Saving Configuration Changes

To avoid losing new configurations, save them to NVRAM using the **copy** or **write** commands, as shown in the following example:

```
WAE# copy running-config startup-config
```

or

```
WAE# write
```

See the **copy running-config startup-config** and **write** commands for more information about running and saved configuration modes.

WAAS Directories on a WAE

This section describes how to navigate the WAAS directories on a WAE and provides directory descriptions useful for troubleshooting and monitoring the WAE.

Navigating WAAS Directories

The WAAS CLI provides several commands for navigating among directories and viewing their contents. These commands are entered from privileged EXEC mode. [Table 1-3](#) lists and describes these commands.

Table 1-3 WAAS Navigation Commands

Command	Description
cd [<i>directory-name</i>]	Change Directory—Moves you from the current directory to the specified directory in the WAAS tree. If no directory is specified, cd takes you up one directory.
deltree <i>directory-name</i>	Remove Directory Tree—Deletes the specified directory and all subdirectories and files without displaying a warning message to you.
dir [<i>directory-name</i>]	Show Directory—Lists the size, date of last changes, and the name of the specified directory (or all directories if one is not specified) within the current directory path. The output from this command is the same as the lls command.
ls [<i>directory-name</i>]	Show Directory Names—Lists the names of directories in the current directory path.
lls [<i>directory-name</i>]	Show Directory—Lists the size, the date of the last changes, and the name of the specified directory (or all directories if one is not specified) within the current directory path. The output from this command is the same as the dir command.
mkdir <i>directory-name</i>	Create Directory—Creates a directory of the specified name in the current directory path.

Table 1-3 WAAS Navigation Commands (continued)

Command	Description
pwd	Present Working Directory—Lists the complete path from where this command is entered.
rmdir <i>directory-name</i>	Delete Directory—Removes the specified directory from the current directory path. All files in the directory must first be deleted before the directory can be deleted.

The following example displays a detailed list of all the files for the WAE's current directory:

```
WAE# dir
size          time of last change          name
-----
4096  Fri Feb 24 14:40:00 2006 <DIR>  actona
4096  Tue Mar 28 14:42:44 2006 <DIR>  core_dir
4096  Wed Apr 12 20:23:10 2006 <DIR>  crash
4506  Tue Apr 11 13:52:45 2006      dbupgrade.log
4096  Tue Apr  4 22:50:11 2006 <DIR>  downgrade
4096  Sun Apr 16 09:01:56 2006 <DIR>  errorlog
4096  Wed Apr 12 20:23:41 2006 <DIR>  logs
16384 Thu Feb 16 12:25:29 2006 <DIR>  lost+found
4096  Wed Apr 12 03:26:02 2006 <DIR>  sa
24576 Sun Apr 16 23:38:21 2006 <DIR>  service_logs
4096  Thu Feb 16 12:26:09 2006 <DIR>  spool
9945390 Sun Apr 16 23:38:20 2006      syslog.txt
10026298 Thu Apr  6 12:25:00 2006      syslog.txt.1
10013564 Thu Apr  6 12:25:00 2006      syslog.txt.2
10055850 Thu Apr  6 12:25:00 2006      syslog.txt.3
10049181 Thu Apr  6 12:25:00 2006      syslog.txt.4
4096  Thu Feb 16 12:29:30 2006 <DIR>  var
508   Sat Feb 25 13:18:35 2006      wdd.sh.signed
```

The following example displays only the detailed information for the logs directory:

```
WAE# dir logs
size          time of last change          name
-----
4096  Thu Apr  6 12:13:50 2006 <DIR>  actona
4096  Mon Mar  6 14:14:41 2006 <DIR>  apache
4096  Sun Apr 16 23:36:40 2006 <DIR>  emdb
4096  Thu Feb 16 11:51:51 2006 <DIR>  export
92    Wed Apr 12 20:23:20 2006      ftp_export.status
4096  Wed Apr 12 20:23:43 2006 <DIR>  rpc_httpd
0    Wed Apr 12 20:23:41 2006      snmpd.log
4096  Sun Mar 19 18:47:29 2006 <DIR>  tfo
```

Directory Descriptions

Several top-level directories of the WAAS software contain information used internally by the software and are not useful to you. These directories include the `core_dir`, `crash`, `downgrade`, `errorlog`, `lost+found`, `sa`, `service_logs`, `spool`, and `var` directories.

Table 1-4 describes the directories that contain information that is useful for troubleshooting or monitoring.

Table 1-4 WAAS Directory Descriptions

Directory/File Name	Contents
actona	This directory contains the current software image installed on the WAAS device and any previous images that were installed.
logs	This directory contains application-specific logs used in troubleshooting. The <i>actona</i> subdirectory contains the commonly used Manager.log, Utilities.log, and Watchdog.log log files. See the <i>Cisco Wide Area Application Services Configuration Guide</i> for more details about how these log files are used.
syslog.txt	This file is the central repository for log messages. Important messages about the operation of WAAS or its components are sometimes logged in this file. They are often intermingled with routine messages that require no action. You may be requested to provide this file, the output of the show tech-support EXEC command, and perhaps other output to Cisco TAC personnel if a problem arises.



Note

The WAAS software uses the CONTENT file system for both the Wide Area File Services (WAFS) file system and the data redundancy elimination (DRE) cache.

Managing WAAS Files Per Device

The WAAS CLI provides several commands for managing files and viewing their contents per device. These commands are entered from privileged EXEC mode. [Table 1-5](#) describes the WAAS file management commands.

Table 1-5 WAAS File Management Commands

Command	Description
copy { <i>source</i> <i>image</i> }	Copy—Copies the selected source file, image, or configuration information: <ul style="list-style-type: none"> • <i>cdrom</i>—Copies the file from the CDROM. • <i>compactflash</i>—Copies the file from the CompactFlash card. • <i>disk</i>—Copies the configuration or file from the disk. • <i>ftp</i>—Copies the file from the FTP server. • <i>http</i>—Copies the file from the HTTP server. • <i>running-config</i>—Copies information from the current system configuration. • <i>startup-config</i>—Copies information from the startup configuration. • <i>sysreport</i>—Copies system information. • <i>system-status</i>—Copies the system status for debugging reference. • <i>tech-support</i>—Copies system information for technical support. • <i>tftp</i>—Copies the software image from the TFTP server.
cpfile <i>source-filename</i> <i>destination-filename</i>	Copy File—Makes a copy of a source file, and puts it in the current directory.
delfile <i>filename</i>	Remove File—Deletes the specified file from the current directory path.
less <i>filename</i>	Display File Using LESS—Displays the specified file on the screen using the LESS program. The filename is case sensitive. Enter q to stop viewing the file and return to the directory.
mkfile <i>filename</i>	Create File—Creates a file of the specified name in the current directory path.
rename <i>old-filename</i> <i>new-filename</i>	Rename File—Renames the specified file with a new filename.
type <i>filename</i>	Display File—Displays the content of the specified file on the screen.
type-tail <i>filename</i> [<i>line</i> follow {begin <i>LINE</i> exclude <i>LINE</i> include <i>LINE</i> }]	Display End of File—Displays the last few lines of the specified file. Can also be used to view the last lines of a file continuously as new lines are added to the file, to start at a particular line in the file, or to include or exclude specific lines in the file.
find-pattern <i>pattern</i>	Find in a File—Searches a file for the specified pattern.

The following example shows how to save the currently running configuration to the startup configuration using the **copy** EXEC command:

```
WAE# copy running-config startup-config
```



Note To back up, restore, or create a system report about the WAFS-specific configuration on a WAE, use the **wafs EXEC** command. To save the WAFS-system specific configuration information, use the **wafs backup-config EXEC** command. See the *Cisco Wide Area Application Services Configuration Guide* for more information on backing up.

The following example shows how to remove a file named *sample* from the directory named *test* using the **delfile** command:

```
WAE# cd test
WAE# ls
sample
sample2
WAE# delfile sample
WAE# ls
sample2
```

The following example shows how to view the last lines of the *Watchdog.log* file:

```
WAE# cd logs
WAE# cd actona
WAE# ls
Watchdog.log
WAE# type-tail Watchdog.log
[2006-01-30 15:13:44,769][FATAL] - System got fatal error going to restart.
[2006-03-19 18:43:08,611][FATAL] - System got fatal error going to restart.
[2006-03-19 19:05:11,216][FATAL] - System got fatal error going to restart.
WAE#
```




CHAPTER 2

Cisco WAAS Software Command Summary

This chapter summarizes the Cisco WAAS 4.1.1 software commands.

Table 2-1 lists the WAAS commands (alphabetically) and indicates the command mode for each command. The commands used to access configuration modes are marked with an asterisk. Commands that do not indicate a particular mode are EXEC mode commands. The same command may have different effects when entered in a different command mode, so they are listed and documented separately. (See Chapter 1, “Using the WAAS Command-Line Interface” for a discussion about using CLI command modes.)

In Table 2-1, in the Device Mode column “All” indicates that the particular CLI command is supported in both central-manager mode and application-accelerator mode.

Table 2-1 Command Summary

Command	Description	CLI Mode	Device Mode
(config) aaa accounting	Configures AAA accounting.	global configuration	All
(config) aaa authorization commands	Configures AAA authorization.	global configuration	All
(config) accelerator cifs	Enables the CIFS application accelerator.	global configuration	application-accelerator
(config) accelerator cifs preposition	Configures a CIFS application accelerator preposition directive.	global configuration	application-accelerator
(config) accelerator epm	Enables the EPM application accelerator.	global configuration	application-accelerator
(config) accelerator http	Enables the HTTP application accelerator.	global configuration	application-accelerator
(config) accelerator mapi	Enables the MAPI application accelerator.	global configuration	application-accelerator
(config) accelerator nfs	Enables the NFS application accelerator.	global configuration	application-accelerator
(config) accelerator ssl	Enables the SSL application accelerator.	global configuration	application-accelerator
(config) accelerator video	Enables the video application accelerator.	global configuration	application-accelerator
(config) accelerator windows-print	Enables the Windows print accelerator	global configuration	application-accelerator

Table 2-1 Command Summary (continued)

Command	Description	CLI Mode	Device Mode
(config) alarm overload-detect	Configures the detection of an alarm overload.	global configuration	All
(config) asset	Configures the tag name for the asset tag string.	global configuration	All
(config) authentication configuration	Configures administrative authentication and authorization parameters.	global configuration	All
(config) authentication content-request	Configures request for content authentication and authorization parameters.	global configuration	All
(config) authentication fail-over	Configures authentication failover if the primary authentication server is unreachable.	global configuration	All
(config) authentication login	Configures administrative login authentication and authorization parameters.	global configuration	All
(config) authentication strict-password-policy	Configures strong password policy parameters.	global configuration	All
(config) auto-discovery	Discovers origin servers that cannot receive TCP packets with options and adds the IP addresses to a blacklist for a specified number of minutes.	global configuration	application-accelerator
(config) auto-register	Enables the discovery of a primary interface on a WAE and its automatic registration with the WAAS Central Manager through DHCP.	global configuration	application-accelerator
(config-if) autosense	Sets the current interface to autosense.	interface configuration	All
(config-vb) autostart	Sets a virtual blade to automatically start when the WAE is started.	virtual blade configuration	application-accelerator
(config-if) bandwidth	Sets the specified interface bandwidth to 10, 100, or 1000 Mbps.	interface configuration	All
(config) banner	Configures message-of-the-day, login, login and EXEC banners.	global configuration	All
(config-vb) boot	Configures the boot image location and source for a virtual blade.	virtual blade configuration	application-accelerator
(config) bypass	Configures the bypass functions on a WAE.	global configuration	application-accelerator
(config-ca) ca-certificate	Sets the certification authority file.	certification authority configuration	All
cd	Changes the directory.	user-level EXEC and privileged-level EXEC	All
(config) cdp	Enables the Cisco Discovery Protocol (CDP) for the WAAS device.	global configuration	All
(config-if) cdp	Enables CDP on an interface.	interface configuration	All

Table 2-1 Command Summary (continued)

Command	Description	CLI Mode	Device Mode
(config) central-manager	In application-accelerator mode, used to specify the IP address of the WAAS Central Manager with which the WAE needs to register. In central-manager mode, used to specify the WAAS Central Manager's role and GUI port number.	global configuration	All
cifs	Controls CIFS adapter operations and run-time configurations.	user-level EXEC and privileged-level EXEC	application-accelerator
(config-cipher-list) cipher	Configures a cipher suite on the cipher list.	cipher list configuration	All
(config-ssl-accelerated) cipher-list	Configures secure socket layer (SSL) encryption cipher lists on a WAAS device.	SSL accelerated service configuration	All
(config-ssl-global) cipher-list	Configures secure socket layer (SSL) encryption cipher lists on a WAAS device.	SSL global service configuration	All
(config-ssl-peering) cipher-list	Configures secure socket layer (SSL) encryption cipher lists on a WAAS device.	SSL host peering service configuration	All
(config-ssl-mgmt) cipher-list	Configures secure socket layer (SSL) encryption cipher lists on a WAAS device.	SSL management service configuration	All
clear arp-cache	Resets the ARP cache.	privileged-level EXEC	All
clear cache	Resets the cached objects.	privileged-level EXEC	All
clear cdp	Resets Cisco Discovery Protocol statistics.	privileged-level EXEC	All
clear ip	Resets IP access list statistics.	privileged-level EXEC	All
clear license	Resets licensing configuration.	privileged-level EXEC	All
clear logging	Resets the syslog messages saved in a disk file.	privileged-level EXEC	All
clear statistics	Resets statistics data.	privileged-level EXEC	All
clear statistics accelerator	Resets all global statistics.	privileged-level EXEC	All
clear statistics connection	Resets connection statistics.	privileged-level EXEC	All
clear transaction-log	Archives the working transaction log file.	privileged-level EXEC	All
clear users	Resets user connections or unlocks users that have been locked out.	privileged-level EXEC	All
clear windows-domain-log	Clears user connections and unlocks users that have been locked out.	privileged-level EXEC	All
(config-ssl-accelerated) client-cert-verify	Enables verification of client certificates.	SSL accelerated service configuration	All
(config-ssl-accelerated) client-version-rollback-check	Disables the client SSL version rollback check.	SSL accelerated service configuration	All
clock	Manages the system clock.	privileged-level EXEC	All
(config) clock	Sets the summer daylight saving time of day and time zone.	global configuration	All

Table 2-1 Command Summary (continued)

Command	Description	CLI Mode	Device Mode
<code>cms</code>	Configures the parameters for the Centralized Management System (CMS) embedded database.	privileged-level EXEC	All
<code>cms secure-store</code>	Configures secure store encryption	privileged-level EXEC	All
<code>(config) cms</code>	Schedules the maintenance and enables the Centralized Management System on a specific WAAS device.	global configuration	All
<code>configure*</code>	Enters configuration mode from privileged EXEC mode.	privileged-level EXEC	All
<code>copy cdrom</code>	Copies files from a CD-ROM.	privileged-level EXEC	All
<code>copy cdrom wow-recovery</code>	Recovers Windows on a virtual blade without reloading the software.	privileged-level EXEC	All
<code>copy compactflash</code>	Copies files from the Compact Flash card.	privileged-level EXEC	All
<code>copy disk</code>	Copies configuration information or files from a disk.	privileged-level EXEC	All
<code>copy ftp</code>	Copies files from an FTP server.	privileged-level EXEC	All
<code>copy http</code>	Copies files from an HTTP server.	privileged-level EXEC	All
<code>copy running-config</code>	Copies information from the current system configuration.	privileged-level EXEC	All
<code>copy startup-config</code>	Copies information from the startup configuration.	privileged-level EXEC	All
<code>copy sysreport</code>	Copies system troubleshooting information.	privileged-level EXEC	All
<code>copy system-status</code>	Copies the system status for debugging reference.	privileged-level EXEC	All
<code>copy tech-support</code>	Copies system information for technical support.	privileged-level EXEC	All
<code>copy tftp</code>	Copies the software image from the TFTP server.	privileged-level EXEC	All
<code>copy virtual-blade</code>	Copies software configuration or image data from a virtual blade disk image to an FTP server.	privileged-level EXEC	All
<code>cpfile</code>	Copies a file to the current directory.	privileged-level EXEC	All
<code>(config-vb) cpu-list</code>	Configures the CPU assignments that the virtual blade runs on,.	virtual blade configuration	application-accelerator
<code>(config-preposition) credentials</code>	Sets the username and password credentials.	preposition configuration	application-accelerator
<code>crypto delete</code>	Removes SSL certificate and key files.	privileged-level EXEC	application-accelerator
<code>crypto export</code>	Exports SSL certificate and key files.	privileged-level EXEC	application-accelerator

Table 2-1 Command Summary (continued)

Command	Description	CLI Mode	Device Mode
<code>crypto generate</code>	Generates a self-signed certificate or a certificate signing request.	privileged-level EXEC	All
<code>crypto import</code>	Imports SSL certificate and key files.	privileged-level EXEC	application-accelerator
<code>crypto pki</code>	Initializes the PKI managed store.	privileged-level EXEC	All
<code>(config) crypto pki</code>	Configures public key infrastructure (PKI) encryption parameters.	global configuration	All
<code>(config) crypto ssl</code>	Configures secure sockets layer (SSL) encryption parameters.	global configuration	All
<code>debug aaa accounting</code>	Configures AAA accounting debugging.	privileged-level EXEC	All
<code>debug aaa authorization</code>	Configures AAA authorization debugging.	privileged-level EXEC	All
<code>debug accelerator</code>	Configures accelerator debugging.	privileged-level EXEC	All
<code>debug all</code>	Configures all debugging.	privileged-level EXEC	All
<code>debug authentication</code>	Configures authentication debugging.	privileged-level EXEC	All
<code>debug buf</code>	Configures buffer manager debugging.	privileged-level EXEC	All
<code>debug cdp</code>	Configures CDP debugging.	privileged-level EXEC	All
<code>debug cli</code>	Configures CLI debugging.	privileged-level EXEC	All
<code>debug cms</code>	Configures CMS debugging.	privileged-level EXEC	All
<code>debug dataserver</code>	Configures data server debugging.	privileged-level EXEC	All
<code>debug dhcp</code>	Configures DHCP debugging.	privileged-level EXEC	All
<code>debug dre</code>	Configures DRE debugging.	privileged-level EXEC	application-accelerator
<code>debug egress-method</code>	Configures egress method debugging.	privileged-level EXEC	application-accelerator
<code>debug emdb</code>	Configures embedded database debugging.	privileged-level EXEC	All
<code>debug epm</code>	Configures DCE-RPC EPM debugging.	privileged-level EXEC	application-accelerator
<code>debug flow</code>	Configures network traffic flow debugging.	privileged-level EXEC	All
<code>debug generic-gre</code>	Configures generic GRE egress method debugging.	privileged-level EXEC	All
<code>debug key-manager</code>	Configures Central Manager key manager debugging.	privileged-level EXEC	All
<code>debug logging</code>	Configures logging debugging.	privileged-level EXEC	All
<code>debug ntp</code>	Configures NTP debugging.	privileged-level EXEC	All
<code>debug print-spooler</code>	Configures print spooler debugging.	privileged-level EXEC	application-accelerator
<code>debug rbcpl</code>	Configures RBCP debugging.	privileged-level EXEC	All
<code>debug rpc</code>	Configures record remote procedure calls debugging.	privileged-level EXEC	All

Table 2-1 Command Summary (continued)

Command	Description	CLI Mode	Device Mode
<code>debug snmp</code>	Configures SNMP debugging.	privileged-level EXEC	All
<code>debug stats</code>	Configures statistics debugging.	privileged-level EXEC	All
<code>debug tfo</code>	Configures TFO flow optimization debugging.	privileged-level EXEC	application-accelerator
<code>debug translog</code>	Configures transaction logging debugging.	privileged-level EXEC	All
<code>debug wafs</code>	Sets the log level of WAFS running components.	privileged-level EXEC	application-accelerator
<code>debug wccp</code>	Configures WCCP information debugging.	privileged-level EXEC	application-accelerator
<code>(config-std-nacl) delete</code>	Deletes a line from the standard ACL.	standard ACL configuration	All
<code>(config-ext-nacl) delete</code>	Deletes a line from the extended ACL.	extended ACL configuration	All
<code>delfile</code>	Deletes a file.	privileged-level EXEC	All
<code>deltree</code>	Deletes a directory and its subdirectories.	privileged-level EXEC	All
<code>(config-std-nacl) deny</code>	Adds a line to a standard access list that specifies the type of packets that you want the WAAS device to drop.	standard ACL configuration	All
<code>(config-ext-nacl) deny</code>	Adds a line to an extended access-list that specifies the type of packets that you want the WAAS device to drop.	extended ACL configuration	All
<code>(config-ca) description</code>	Configures a description for the certification authority.	certification authority configuration	All
<code>(config-vb) description</code>	Configures a description for a virtual blade on your WAE.	virtual blade configuration	application-accelerator
<code>(config-ssl-accelerated) description</code>	Configures a description for SSL accelerated service.	SSL accelerated service configuration	All
<code>(config-vb) device</code>	Configures the device emulation parameters used by the virtual blade on your WAE.	virtual blade configuration	application-accelerator
<code>(config) device mode</code>	Specifies the device mode of the WAAS device.	global configuration	All
<code>dir</code>	Displays the files in a long list format.	user-level EXEC and privileged-level EXEC	All
<code>(config) directed-mode</code>	Configures the mode by which traffic is sent between two WAEs.	global configuration	application-accelerator
<code>disable</code>	Turns off the privileged EXEC commands.	privileged-level EXEC	All
<code>disk</code>	Configures the disks on the WAAS device.	privileged-level EXEC	All
<code>(config-vb) disk</code>	Configures disk space for a virtual blade on the WAE hard drive.	virtual blade configuration	application-accelerator
<code>(config) disk disk-name</code>	Disables a RAID-1 disk for online removal.	global configuration	All

Table 2-1 Command Summary (continued)

Command	Description	CLI Mode	Device Mode
(config) disk encrypt	Enables disk encryption.	global configuration	application-accelerator
(config) disk error-handling	Configures how the disk errors should be handled.	global configuration	All
(config) disk logical shutdown	Shuts down the RAID-5 logical disk drive.	global configuration	All
(config) disk object-cache extend	Enables extended object cache, .	global configuration	All
dnslookup	Resolves a DNS hostname.	user-level EXEC and privileged-level EXEC	All
(config-preposition) dscp	Sets the DSCP marking value for a preposition task.	preposition configuration	application-accelerator
(config-preposition) duration	Sets the maximum duration for a preposition task.	preposition configuration	application-accelerator
(config) egress-method	Configures the egress method for intercepted connections.	global configuration	application-accelerator
enable*	Accesses the privileged EXEC commands.	user-level EXEC	All
(config-preposition) enable	Enables or disables a preposition directive.	preposition configuration	application-accelerator
(config-if) encapsulation dot1Q	Sets the VLAN ID of traffic leaving the Cisco WAE Inline Network Adapter interface.	interface configuration	application-accelerator
(config) end	Exits configuration and privileged EXEC modes.	global configuration	All
(config) exec-timeout	Configures the length of time that an inactive Telnet or SSH session remains open.	global configuration	All
exit	Exits from privileged EXEC mode.	privileged-level EXEC	All
(config) exit	Exits from global configuration mode.	global configuration	All
(config-if) exit	Exits from interface configuration mode.	interface configuration	All
(config-std-nacl) exit	Exits from standard ACL configuration mode.	standard ACL configuration	All
(config-ext-nacl) exit	Exits from extended ACL configuration mode.	extended ACL configuration	All
(config-if) failover timeout	Configures the maximum time for the inline interface to transition traffic to another port after a failure event.	interface configuration	All
find-pattern	Searches for a particular pattern in a file.	privileged-level EXEC	All
(config) flow monitor	Configures network traffic flow monitoring.	global configuration	application-accelerator
(config-if) full-duplex	Sets the current interface to the full-duplex mode.	interface configuration	All

Table 2-1 Command Summary (continued)

Command	Description	CLI Mode	Device Mode
(config-if) half-duplex	Sets the current interface to half-duplex mode.	interface configuration	All
help	Provides assistance for the WAAS command-line interface in EXEC mode.	user-level EXEC and privileged-level EXEC	All
(config) help	Provides assistance for the WAAS command-line interface.	global configuration	All
(config) hostname	Configures the hostname of the WAAS device in global configuration mode.	global configuration	All
(config-preposition) ignore-hidden-dir	Configures to ignore hidden directories in the set of files to be prepositioned.	preposition configuration	application-accelerator
(config) inetd	Enables FTP, RCP, and TFTP services.	global configuration	All
(config-if) inline	Configures inline interception for an inlineGroup interface.	interface configuration	All
(config) inline vlan-id-connection-check	Enables VLAN ID checking on intercepted traffic.	global configuration	All
(config-ssl-accelerated) inservice	Enables the accelerated service.	SSL accelerated service configuration	All
install	Installs a new image into Flash memory.	privileged-level EXEC	All
(config) interception access-list	Configures an interception access list.	global configuration	All
(config-vb) interface	Bridges a virtual blade interface to an interface on your WAE.	virtual blade configuration	application-accelerator
(config) interface GigabitEthernet*	Configures a Gigabit Ethernet interface. Provides access to interface configuration mode.	global configuration	All
(config) interface InlineGroup*	Configures a Inline Group channel, or standby interface. Provides access to interface configuration mode.	global configuration	All
(config) interface PortChannel*	Configures a port channel interface. Provides access to interface configuration mode.	global configuration	All
(config) interface standby*	Configures a standby interface. Provides access to interface configuration mode.	global configuration	All
(config) ip	Configures the initial network device configuration settings (for example, the IP address of the default gateway) on a WAAS device.	global configuration	All
(config-if) ip	Configures the IP address, subnet mask, or DHCP IP address negotiation on the interface of the WAAS device or Cisco WAE Inline Network Adapter.	interface configuration	All
(config-if) ip access-group	Controls the connections on a specific interface by applying a predefined access list.	interface configuration	All

Table 2-1 Command Summary (continued)

Command	Description	CLI Mode	Device Mode
(config) ip access-list*	Creates and modifies the access lists for controlling access to interfaces or applications. Provides access to ACL configuration mode.	global configuration	All
(config) kerberos	Configures user authentication against a Kerberos database.	global configuration	All
(config) kernel kdb	Enables the kernel debugger configuration mode.	global configuration	All
(config) kernel kdump	Enables the kernel crash dump mechanism.	global configuration	All
less	Displays the contents of a file using the LESS application.	user-level EXEC and privileged-level EXEC	All
license add	Adds a software license.	privileged-level EXEC	All
(config) line	Specifies the terminal line settings.	global configuration	All
(config-std-nacl) list	Displays a list of specified entries within the standard ACL	standard ACL configuration	All
(config-ext-nacl) list	Displays a list of specified entries within the extended ACL	extended ACL configuration	All
lls	Displays the files in a long list format.	user-level EXEC and privileged-level EXEC	All
(config) logging console	Configures system logging (syslog) to the console.	global configuration	All
(config) logging disk	Configures system logging (syslog) to a disk file.	global configuration	All
(config) logging facility	Sets the facility parameter for system logging (syslog).	global configuration	All
(config) logging host	Configures system logging (syslog) to a remote host.	global configuration	All
ls	Lists the files and subdirectories in a directory.	user-level EXEC and privileged-level EXEC	All
(config-ssl-global) machine-cert-key	Configures a certificate and private key.	SSL global service configuration	All
(config-preposition) max-cache	Sets the maximum cache percentage that prepositioned files can use.	preposition configuration	application-accelerator
(config-preposition) max-file-size	Sets the maximum size of a prepositioned file.	preposition configuration	application-accelerator
(config-vb) memory	Configures memory for a virtual blade from the WAE system.	virtual blade configuration	application-accelerator
(config-preposition) min-file-size	Sets the minimum size of a prepositioned file.	preposition configuration	application-accelerator
mkdir	Makes a directory.	privileged-level EXEC	All
mkfile	Makes a file (for testing).	privileged-level EXEC	All

Table 2-1 Command Summary (continued)

Command	Description	CLI Mode	Device Mode
(config-std-nacl) move	Moves a line to a new position within the standard ACL	standard ACL configuration	All
(config-ext-nacl) move	Moves a line to a new position within the extended ACL	extended ACL configuration	All
(config-if) mtu	Sets the interface Maximum Transmission Unit (MTU) packet size.	interface configuration	All
(config-preposition) name	Sets the name of a preposition directive.	preposition configuration	application-accelerator
(config) ntp	Configures the NTP server.	global configuration	All
ntpdate	Sets the NTP server name.	privileged-level EXEC	All
(config-pki-global-settings) ocsp	Configures the URL to be used as the global settings for the Online Certificate Status Protocol (OCSP) protocol revocation status checking.	PKI global-settings configuration	All
(config-preposition) pattern	Sets a file filter for a preposition directive.	preposition configuration	application-accelerator
(config) peer	Enables/disables peer optimization.	global configuration	application-accelerator
(config-ssl-peering) peer-cert-verify	Enables verification of peer certificates.	SSL host peering service configuration	All
(config-ssl-mgmt) peer-cert-verify	Enables verification of peer certificates.	SSL management service configuration	All
(config-std-nacl) permit	Adds a line to a standard access list that specifies the type of packets that you want the WAAS device to permit for further processing.	standard ACL configuration	All
(config-ext-nacl) permit	Adds a line to an extended access list that specifies the type of packets that you want the WAAS device to permit for further processing.	extended ACL configuration	All
ping	Sends the echo packets.	user-level EXEC and privileged-level EXEC	All
(config) policy-engine application classifier	Defines a WAE's application policy and assigns the policy a name, a classifier, and a policy map.	global configuration	application-accelerator
(config) policy-engine application map adaptor EPM	Configures a WAE's application policy with advanced policy map lists of the EndPoint Mapper (EPM) service.	global configuration	application-accelerator
(config) policy-engine application map adaptor WAFS transport	Configures a WAE's application policies with the WAFS transport option.	global configuration	application-accelerator

Table 2-1 Command Summary (continued)

Command	Description	CLI Mode	Device Mode
(config) policy-engine application map basic	Deletes a specific basic (static) application policy map from the WAE's list of application policy maps.	global configuration	application-accelerator
(config) policy-engine application map other optimize DRE	Configures the WAE's optimize DRE command action for nonclassified traffic.	global configuration	application-accelerator
(config) policy-engine application map other optimize full	Configures the application policy for nonclassified traffic with the optimize full command action.	global configuration	application-accelerator
(config) policy-engine application map other pass-through	Configures the application policy for nonclassified traffic with the pass-through command action.	global configuration	application-accelerator
(config) policy-engine application name	Creates a new application definition that specifies general information about an application.	global configuration	application-accelerator
(config) policy-engine application set-dscp	Sets the default DSCP marking value.	global configuration	application-accelerator
(config) policy-engine config	Removes all of the application policy configuration or restores the application policy factory defaults on a WAE.	global configuration	application-accelerator
(config) port-channel	Configures the port channel load-balancing options.	global configuration	All
(config) primary-interface	Configures a primary interface for the WAAS device.	global configuration	All
(config) print-services	Enables and disables WAAS print services and configures an administrative group.	global configuration	All
pwd	Displays the present working directory.	user-level EXEC and privileged-level EXEC	All
(config) radius-server	Configures the RADIUS parameters on a WAAS device.	global configuration	All
(config-preposition) recursive	Enables or disables recursion for a preposition directive.	preposition configuration	application-accelerator
reload	Halts a device and performs a cold restart.	privileged-level EXEC	All
rename	Renames a file.	privileged-level EXEC	All
restore	Restores a device to its manufactured default status.	privileged-level EXEC	All
(config-ca) revocation-check	Configures the certification authority revocation checking method.	certification authority configuration	All
(config-pki-global-settings) revocation-check	Configures the the global settings revocation checking method.	PKI global-settings configuration	All
rmdir	Removes a directory.	privileged-level EXEC	All

Table 2-1 Command Summary (continued)

Command	Description	CLI Mode	Device Mode
(config-preposition) root	Sets the root directory for a preposition directive.	preposition configuration	application-accelerator
(config-preposition) scan-type	Sets the file scanning type for a preposition directive.	preposition configuration	application-accelerator
(config-preposition) schedule	Sets the schedule for a preposition directive.	preposition configuration	application-accelerator
scp	Specifies the SCP client.	privileged-level EXEC	All
script	Checks the errors in a script or executes a script.	privileged-level EXEC	All
(config-preposition) server	Sets the file server for a preposition directive.	preposition configuration	application-accelerator
(config-ssl-accelerated) server-cert-key	Configures a certificate and private key.	SSL accelerated service configuration	All
(config-ssl-accelerated) server-cert-verify	Enables verification of server certificates.	SSL accelerated service configuration	All
(config-ssl-accelerated) server-domain	Configures the accelerated server domain and TCP port.	SSL accelerated service configuration	All
(config-ssl-accelerated) server-ip	Configures the accelerated server IP address and TCP port.	SSL accelerated service configuration	All
(config-ssl-accelerated) server-name	Configures the accelerated server hostname and TCP port.	SSL accelerated service configuration	All
setup	Configures the basic configuration settings. Invokes the interactive setup utility.	privileged-level EXEC	All
show aaa accounting	Displays the AAA accounting configuration.	user-level EXEC and privileged-level EXEC	All
show aaa authorization	Displays the AAA authorization configuration.	user-level EXEC and privileged-level EXEC	All
show accelerator	Displays the status and configuration of the application accelerators.	privileged-level EXEC	application-accelerator
show alarms	Displays information on various types of alarms, their status, and history.	privileged-level EXEC	All
show arp	Displays the ARP entries.	privileged-level EXEC	All
show authentication	Displays the authentication configuration.	user-level EXEC and privileged-level EXEC	All
show auto-discovery	Displays auto-discovery information for a WAE.	user-level EXEC and privileged-level EXEC	application-accelerator
show auto-register	Displays the status of the autoregistration feature for a WAE.	privileged-level EXEC	application-accelerator
show banner	Displays the message of the day, login, and EXEC banner settings.	privileged-level EXEC	All
show bypass	Displays the bypass configuration of a WAE.	user-level EXEC and privileged-level EXEC	application-accelerator

Table 2-1 Command Summary (continued)

Command	Description	CLI Mode	Device Mode
<code>show cache http-metadata-cache</code>	Displays HTTP metadata cache information.	privileged-level EXEC	application-accelerator
<code>show cdp</code>	Displays the CDP configuration.	privileged-level EXEC	All
<code>show cifs</code>	Displays CIFS run-time information.	user-level EXEC and privileged-level EXEC	application-accelerator
<code>show clock</code>	Displays the system clock.	user-level EXEC and privileged-level EXEC	All
<code>show cms</code>	Displays the management service information.	privileged-level EXEC	All
<code>show cms secure-store</code>	Displays the secure disk encryption status.	privileged-level EXEC	All
<code>show crypto</code>	Displays crypto layer information.	user-level EXEC and privileged-level EXEC	All
<code>show debugging</code>	Displays the state of each debugging option.	privileged-level EXEC	All
<code>show device-id</code>	Displays the device ID.	user-level EXEC and privileged-level EXEC	All
<code>show device-mode</code>	Displays the device mode.	privileged-level EXEC	All
<code>show directed-mode</code>	Displays directed mode information.	user-level EXEC and privileged-level EXEC	application-accelerator
<code>show disks</code>	Displays the disk configurations.	user-level EXEC and privileged-level EXEC	All
<code>show egress-methods</code>	Displays the egress method that is configured and that is being used on a particular WAE.	user-level EXEC and privileged-level EXEC	application-accelerator
<code>show filtering list</code>	Displays TFO flow information for a WAE.	privileged-level EXEC	application-accelerator
<code>show flash</code>	Displays the flash memory information.	privileged-level EXEC	All
<code>show hardware</code>	Displays the system hardware information.	privileged-level EXEC	All
<code>show hosts</code>	Displays the IP domain name, name servers, IP addresses, and host table.	user-level EXEC and privileged-level EXEC	All
<code>show inetd</code>	Displays the status of TCP/IP services.	privileged-level EXEC	All
<code>show interface</code>	Displays the hardware interface information.	privileged-level EXEC	All
<code>show inventory</code>	Displays the system inventory information.	privileged-level EXEC	All
<code>show ip access-list</code>	Displays the information about access lists that are defined and applied to specific interfaces or applications.	privileged-level EXEC	All
<code>show ip routes</code>	Displays the IP routing table.	privileged-level EXEC	All
<code>show kdump</code>	Displays the kernel crash dump information.	privileged-level EXEC	All
<code>show kerberos</code>	Displays the Kerberos authentication configuration.	user-level EXEC and privileged-level EXEC	All
<code>show key-manager</code>	Displays the key manager information for a WAAS device	privileged-level EXEC	All

Table 2-1 Command Summary (continued)

Command	Description	CLI Mode	Device Mode
show license	Displays the license information.	privileged-level EXEC	All
show logging	Displays the system logging configuration.	user-level EXEC and privileged-level EXEC	All
show memory	Displays the memory blocks and statistics.	privileged-level EXEC	All
show ntp	Displays the NTP configuration status.	user-level EXEC and privileged-level EXEC	All
show peer optimization	Displays the configured serial peers for a WAE.	privileged-level EXEC	application-accelerator
show policy-engine application	Displays the display application policy information.	user-level EXEC and privileged-level EXEC	application-accelerator
show policy-engine status	Displays the policy-engine high-level information. This information includes the usage of the available resources, which include application names, classifiers, and conditions	user-level EXEC and privileged-level EXEC	application-accelerator
show print-services	Displays the print services administrator and process information.	privileged-level EXEC	All
show processes	Displays the process status.	privileged-level EXEC	All
show radius-server	Displays the RADIUS server information.	user-level EXEC and privileged-level EXEC	All
show running-config	Displays the current operating configuration.	privileged-level EXEC	All
show services	Displays information related to services.	privileged-level EXEC	All
show smb-conf	Displays the smb-conf configurations.	privileged-level EXEC	All
show snmp	Displays the SNMP statistics.	user-level EXEC and privileged-level EXEC	All
show ssh	Displays the status and configuration of the Secure Shell (SSH) service.	privileged-level EXEC	All
show startup-config	Displays the startup configuration.	privileged-level EXEC	All
show statistics accelerator	Displays the application accelerator statistics information.	privileged-level EXEC	application-accelerator
show statistics aoim	Displays AO (accelerator) Information Manager statistics.	privileged-level EXEC	application-accelerator
show statistics application	Displays the status of the application statistics.	privileged-level EXEC	All
show statistics authentication	Displays the authentication statistics.	user-level EXEC and privileged-level EXEC	All
show statistics auto-discovery	Displays TFO auto-discovery statistics for a WAE.	user-level EXEC and privileged-level EXEC	application-accelerator
show statistics cifs	Displays the CIFS statistics information.	user-level EXEC and privileged-level EXEC	application-accelerator

Table 2-1 Command Summary (continued)

Command	Description	CLI Mode	Device Mode
show statistics connection	Displays the connection statistics for a WAE.	privileged-level EXEC	application-accelerator
show statistics connection auto-discovery	Displays the auto-discovery connection statistics for a WAE.	privileged-level EXEC	application-accelerator
show statistics connection closed	Displays the closed connection statistics for a WAE.	privileged-level EXEC	application-accelerator
show statistics connection conn-id	Displays the connection ID statistics for a WAE.	privileged-level EXEC	application-accelerator
show statistics connection egress-methods	Displays detailed egress method-related information about the connection segments for a WAE.	privileged-level EXEC	application-accelerator
show statistics connection optimized	Displays optimized information about the connection segments for a WAE.	privileged-level EXEC	application-accelerator
show statistics connection pass-through	Displays pass through information about the connection segments for a WAE.	privileged-level EXEC	application-accelerator
show statistics crypto ssl ciphers	Displays crypto SSL cipher usage statistics.	privileged-level EXEC	application-accelerator
show statistics datamover	Displays internal datamover information.	user-level EXEC and privileged-level EXEC	application-accelerator
show statistics directed-mode	Displays directed mode statistics.	user-level EXEC and privileged-level EXEC	application-accelerator
show statistics dre	Displays the Data Redundancy Elimination (DRE) statistics for a WAE.	privileged-level EXEC	application-accelerator
show statistics filtering	Displays TFO flow statistics for a WAE.	user-level EXEC and privileged-level EXEC	application-accelerator
show statistics flow	Displays the flow statistics.	user-level EXEC and privileged-level EXEC	application-accelerator
show statistics generic-gre	Displays the generic GRE tunnel statistics.	user-level EXEC and privileged-level EXEC	application-accelerator
show statistics icmp	Displays the ICMP statistics.	user-level EXEC and privileged-level EXEC	All
show statistics ip	Displays the IP statistics.	user-level EXEC and privileged-level EXEC	All
show statistics netstat	Displays the Internet socket connection statistics.	user-level EXEC and privileged-level EXEC	All
show statistics pass-through	Displays the pass-through statistics.	privileged-level EXEC	application-accelerator
show statistics peer	Displays the DRE peer statistics for a WAE.	privileged-level EXEC	application-accelerator
show statistics radius	Displays the RADIUS authentication statistics.	user-level EXEC and privileged-level EXEC	All

Table 2-1 Command Summary (continued)

Command	Description	CLI Mode	Device Mode
<code>show statistics services</code>	Displays the services statistics.	user-level EXEC and privileged-level EXEC	All
<code>show statistics snmp</code>	Displays the SNMP statistics.	user-level EXEC and privileged-level EXEC	All
<code>show statistics synq</code>	Displays statistics for the SynQ module.	user-level EXEC and privileged-level EXEC	application-accelerator
<code>show statistics tacacs</code>	Displays the TACACS+ authentication and authorization statistics.	user-level EXEC and privileged-level EXEC	All
<code>show statistics tcp</code>	Displays the Transmission Control Protocol statistics.	user-level EXEC and privileged-level EXEC	All
<code>show statistics tfo</code>	Displays the Transport Flow Optimization (TFO) statistics for a WAE.	user-level EXEC and privileged-level EXEC	application-accelerator
<code>show statistics udp</code>	Displays the User Datagram Protocol (UDP) statistics.	user-level EXEC and privileged-level EXEC	All
<code>show statistics wccp</code>	Displays the WCCP statistics for a WAE.	user-level EXEC and privileged-level EXEC	application-accelerator
<code>show statistics windows-domain</code>	Displays the Windows domain configuration.	user-level EXEC and privileged-level EXEC	All
<code>show statistics windows-print requests</code>	Displays the Windows print accelerator statistics.	user-level EXEC and privileged-level EXEC	application-accelerator
<code>show synq list</code>	Displays connections for the SynQ module.	privileged-level EXEC	application-accelerator
<code>show sysfs volumes</code>	Displays the system file system (SYSFS) information.	user-level EXEC and privileged-level EXEC	All
<code>show tacacs</code>	Displays the TACACS+ configuration.	user-level EXEC and privileged-level EXEC	All
<code>show tcp</code>	Displays the TCP configuration.	user-level EXEC and privileged-level EXEC	All
<code>show tech-support</code>	Displays the system information for Cisco technical support.	privileged-level EXEC	All
<code>show telnet</code>	Displays the Telnet services configuration.	privileged-level EXEC	All
<code>show tfo tcp</code>	Displays TFO TCP buffer information.	privileged-level EXEC	application-accelerator
<code>show transaction-logging</code>	Displays the transaction logging information for a WAE.	user-level EXEC and privileged-level EXEC	application-accelerator
<code>show user</code>	Displays information about a particular user.	privileged-level EXEC	All
<code>show users administrative</code>	Displays the administrative users.	user-level EXEC and privileged-level EXEC	All
<code>show version</code>	Displays the software version.	user-level EXEC and privileged-level EXEC	All
<code>show virtual-blade</code>	Displays virtual blade information on your WAE device.	privileged-level EXEC	application-accelerator

Table 2-1 Command Summary (continued)

Command	Description	CLI Mode	Device Mode
show wccp	Displays the WCCP information for a WAE.	user-level EXEC and privileged-level EXEC	application-accelerator
show windows-domain	Displays the Windows domain configuration.	user-level EXEC and privileged-level EXEC	All
(config-if) shutdown	Shuts down the specified interface.	interface configuration	All
shutdown	Shuts down the device (stops all applications and operating system).	privileged-level EXEC	All
(config) smb-conf	Manually configures parameters in the Samba configuration file, <i>smb-conf</i> .	global configuration	All
(config) snmp-server access-list	Configures an access control list to allow access through an SNMP agent.	global configuration	All
(config) snmp-server community	Enables SNMP; sets the community string, optionally names the group, and enables the read-write access with the community string.	global configuration	All
(config) snmp-server contact	Specifies the text for the system contact MIB object.	global configuration	All
(config) snmp-server enable traps	Enables the SNMP traps.	global configuration	All
(config) snmp-server group	Defines a user security model group.	global configuration	All
(config) snmp-server host	Specifies the hosts to receive SNMP traps.	global configuration	All
(config) snmp-server location	Specifies the path for MIB object sysLocation.	global configuration	All
(config) snmp-server mib	Configures the persistence for the SNMP Event MIB.	global configuration	All
(config) snmp-server notify inform	Configures the SNMP inform request.	global configuration	All
(config) snmp-server trap-source	Configures the SNMP trap source.	global configuration	All
(config) snmp-server user	Defines a user who can access the SNMP engine.	global configuration	All
(config) snmp-server view	Defines an SNMPv2 MIB view.	global configuration	All
snmp trigger	Creates or deletes SNMP triggers on a MIB variable.	privileged-level EXEC	All
ssh	Allows secure encrypted communications between an untrusted client machine and a WAAS device over an insecure network.	user-level EXEC and privileged-level EXEC	All
(config) sshd	Configures the parameters for the Secure Shell (SSH) service.	global configuration	All
(config) ssh-key-generate	Generates a SSH host key.	global configuration	All
(config-if) standby	Configures an interface to be a backup for another interface.	interface configuration	All

Table 2-1 Command Summary (continued)

Command	Description	CLI Mode	Device Mode
(config) tacacs	Configures the TACACS+ parameters on a WAAS device.	global configuration	All
(config) tcp	Configures the TCP parameters.	global configuration	All
tcpdump	Dumps the TCP traffic on the network.	privileged-level EXEC	All
telnet	Starts the Telnet client.	user-level EXEC and privileged-level EXEC	All
(config) telnet enable	Enables the Telnet services.	global configuration	All
terminal	Sets the terminal output commands.	user-level EXEC and privileged-level EXEC	All
test	Performs diagnostic tests and displays the results.	user-level EXEC and privileged-level EXEC	All
tethereal	Analyzes network traffic from the command line.	privileged-level EXEC	All
(config) tfo exception	Configures TFO exception handling.	global configuration	application-accelerator
(config) tfo optimize	Configures TFO optimization for DRE or full generic optimization on the WAE.	global configuration	application-accelerator
(config) tfo tcp adaptive-buffer-sizing	Configures TFO optimization with TCP adaptive buffer sizing.	global configuration	application-accelerator
(config) tfo tcp keepalive	Configures TFO optimization with a TCP keepalive on a WAE.	global configuration	application-accelerator
(config) tfo tcp optimized-mss	Configures TFO optimization with an optimized-side TCP maximum segment size on a WAE.	global configuration	application-accelerator
(config) tfo tcp optimized-receive-buffer	Configures TFO optimization with an optimized-side receive buffer on a WAE.	global configuration	application-accelerator
(config) tfo tcp optimized-send-buffer	Configures TFO optimization with an optimized-side send buffer on a WAE.	global configuration	application-accelerator
(config) tfo tcp original-mss	Configures TFO optimization with an unoptimized-side TCP maximum segment size on the WAE.	global configuration	application-accelerator
(config) tfo tcp original-receive-buffer	Configures TFO optimization with an unoptimized-side receive buffer on a WAE.	global configuration	application-accelerator
(config) tfo tcp original-send-buffer	Configures TFO optimization with an unoptimized-side send buffer on a WAE.	global configuration	application-accelerator
top	Displays the current top CPU activities.	privileged-level EXEC	All
traceroute	Traces the route to a remote host.	user-level EXEC and privileged-level EXEC	All
transaction-log	Forces the transaction logging for TFO and export on a WAE.	privileged-level EXEC	application-accelerator
(config) transaction-logs	Configures the transaction logging on a WAE.	global configuration	application-accelerator

Table 2-1 Command Summary (continued)

Command	Description	CLI Mode	Device Mode
<code>type</code>	Displays a file.	user-level EXEC and privileged-level EXEC	All
<code>type-tail</code>	Displays the last several lines of a file.	user-level EXEC and privileged-level EXEC	All
<code>(config) username</code>	Establishes the username authentication.	global configuration	All
<code>(config-ssl-accelerated) version</code>	Specifies the type of SSL protocol to use for accelerated services.	SSL accelerated service configuration	All
<code>(config-ssl-global) version</code>	Specifies the type of SSL protocol to use for global services.	SSL global service configuration	All
<code>(config-ssl-peering) version</code>	Specifies the type of SSL protocol to use for management services.	SSL host peering service configuration	All
<code>(config-ssl-mgmt) version</code>	Specifies the type of SSL protocol to use for management services.	SSL management service configuration	All
<code>virtual-blade</code>	Executes general operations on a virtual blade.	privileged-level EXEC	application-accelerator
<code>(config) virtual-blade</code>	Configures virtual blades on your WAE device.	global configuration	All
<code>(config-vb) vnc</code>	Enables or disables the VNC server for the virtual blade on your WAE.	virtual blade configuration	application-accelerator
<code>wafs</code>	Performs a backup or restores system configuration, and creates a system report on a WAE.	privileged-level EXEC	application-accelerator
<code>(config) wccp access-list</code>	Configures the IP access list for inbound Web Cache Coordination Protocol (WCCP) GRE-encapsulated traffic on a WAE.	global configuration	application-accelerator
<code>(config) wccp flow-redirect</code>	Enables the WCCP flow redirection on a WAE.	global configuration	application-accelerator
<code>(config) wccp router-list</code>	Creates a router list on a WAE for use in the WCCP Version 2 services.	global configuration	application-accelerator
<code>(config) wccp shutdown</code>	Sets the maximum time interval after which the WAE will perform a clean shut down.	global configuration	application-accelerator
<code>(config) wccp tcp-promiscuous mask</code>	Configures the TCP promiscuous mode service (WCCP Version 2 services 61 and 62) on a WAE.	global configuration	application-accelerator
<code>(config) wccp tcp-promiscuous router-list-num</code>	Configures the TCP promiscuous mode service (WCCP Version 2 services 61 and 62) router list on a WAE.	global configuration	application-accelerator
<code>(config) wccp version</code>	Specifies the WCCP version number.	global configuration	application-accelerator
<code>whoami</code>	Displays the name of the current user.	user-level EXEC and privileged-level EXEC	All
<code>windows-domain</code>	Accesses Windows domain utilities.	privileged-level EXEC	All

Table 2-1 Command Summary (continued)

Command	Description	CLI Mode	Device Mode
(config) windows-domain	Configures Windows domain server options.	global configuration	All
write	Writes or erases the startup configurations to NVRAM or to a terminal session, or writes the MIB persistence configuration to disk.	privileged-level EXEC	All



CHAPTER 3

CLI Commands

This chapter provides detailed information for the following types of CLI commands for the WAAS software:

- EXEC mode commands that you can enter after you log in to the WAAS device. See the [“EXEC Mode Commands”](#) section for a complete listing of commands.
- Global configuration mode commands that you can enter after you log in to the WAAS device and access global configuration mode. See the [“Global Configuration Mode Commands”](#) section for a complete listing of commands.
- Interface configuration mode commands that you can enter after you access interface configuration mode. See the [“Interface Configuration Mode Commands”](#) section for a complete listing of commands.
- Standard or extended ACL configuration mode commands that you can enter after you access the standard or extended ACL configuration modes. See the [“Standard ACL Configuration Mode Commands”](#) and [“Extended ACL Configuration Mode Commands”](#) sections for a complete listing of commands.
- Preposition configuration mode commands that you can enter after you access the preposition configuration mode. See the [“Preposition Configuration Mode Commands”](#) section for a complete listing of commands.
- Virtual blade configuration mode commands that you can enter after you access virtual blade configuration mode. See the [“Virtual Blade Configuration Mode Commands”](#) section for a complete listing of commands.
- PKI Certificate Authority configuration mode commands that you can enter after you access certificate authority configuration mode. See the [“PKI Certificate Authority Configuration Mode Commands”](#) section for a complete listing of commands.
- PKI Global Settings configuration mode commands that you can enter after you access PKI global settings configuration mode. See the [“PKI Global Settings Configuration Mode Commands”](#) section for a complete listing of commands.
- SSL accelerated service configuration mode commands that you can enter after you access SSL accelerated service configuration mode. See the [“SSL Accelerated Service Configuration Mode Commands”](#) section for a complete listing of commands.
- SSL cipher list configuration mode commands that you can enter after you access SSL cipher list configuration mode. See the [“SSL Cipher List Configuration Mode Commands”](#) section for a complete listing of commands.
- SSL global service configuration mode commands that you can enter after you access SSL global service configuration mode. See the [“SSL Global Service Configuration Mode Commands”](#) section for a complete listing of commands.

- SSL host peering service configuration mode commands that you can enter after you access SSL host peering service configuration mode. See the “[SSL Host Peering Service Configuration Mode Commands](#)” section for a complete listing of commands.
- SSL management service configuration mode commands that you can enter after you access SSL management service configuration mode. See the “[SSL Management Service Configuration Mode Commands](#)” section for a complete listing of commands.

The description of each command includes the following:

- The syntax of the command, default values, command modes, usage guidelines, and examples.
- Any related commands, when appropriate

See [Chapter 1, “Using the WAAS Command-Line Interface”](#) for a discussion about using the CLI and about the CLI command modes.

EXEC Mode Commands

Use the EXEC mode for setting, viewing, and testing system operations. In general, the user EXEC commands allow you to connect to remote devices, change terminal line settings on a temporary basis, perform basic tests, and list system information.

The EXEC mode is divided into two access levels: user and privileged.

The user EXEC mode is used by local and general system administrators, while the privileged EXEC mode is used by the root administrator. Use the **enable** and **disable** commands to switch between the two levels. Access to the user-level EXEC command line requires a valid password.

The user-level EXEC commands are a subset of the privileged-level EXEC commands. The user-level EXEC prompt is the hostname followed by a right angle bracket (>). The prompt for the privileged-level EXEC command line is the pound sign (#). To execute an EXEC command, enter the command at the EXEC system prompt and press the **Return** key.

**Note**

You can change the hostname using the **hostname** global configuration command.

The following example shows how to access the privileged-level EXEC command line from the user level:

```
WAE> enable
WAE#
```

To leave EXEC mode, use the **exit** command at the system prompt:

```
WAE# exit
WAE>
```

cd

To change from one directory to another directory in the WAAS software, use the **cd** EXEC command.

cd *directoryname*

Syntax Description	<i>directoryname</i>	Directory name.
---------------------------	----------------------	-----------------

Defaults	No default behavior or values.
-----------------	--------------------------------

Command Modes	EXEC
----------------------	------

Device Modes	application-accelerator central-manager
---------------------	--

Usage Guidelines	Use this command to navigate between directories and for file management. The directory name becomes the default prefix for all relative paths. Relative paths do not begin with a slash (/). Absolute paths begin with a slash (/).
-------------------------	--

Examples	The following example shows how to change to a directory using a relative path:
-----------------	---

```
WAE(config)# cd local1
```

The following example shows how to change to a directory using an absolute path:

```
WAE(config)# cd /local1
```

Related Commands	deltree dir lls ls mkdir pwd
-------------------------	---

cifs

To control legacy CIFS adapter operations and run-time configurations, use the **cifs EXEC** command.

cifs auto-discovery { **disable** | **enable** | **reset-log** }

cifs mss *value*

cifs restart [**core** | **edge**]

cifs reverse-dns { **active** | **disable** | **enable** }

cifs session disconnect [**client-ip** *ipaddress* | **server-ip** *ipaddress*]

Syntax Description

auto-discovery	Controls the CIFS auto-discovery configuration and debug.
disable	Disables the CIFS server operation.
enable	Enables the CIFS server operation.
reset-log	Resets the log memory.
mss <i>value</i>	Sets the TCP maximum segment size (MSS) for the CIFS adapter. This value must be an integer in the range of 512–1460.
restart	Restarts the CIFS application.
core	(Optional) Restarts the CIFS application on the Core WAE.
edge	(Optional) Restarts the CIFS application on the Edge WAE.
reverse-dns	Uses reverse DNS to resolve server names on the Core WAE.
active	Checks whether reverse DNS is active.
session	Configures operations on active CIFS sessions.
disconnect	Disconnects the CIFS sessions.
client-ip <i>ipaddress</i>	Sets the client IP address or address set.
server-ip <i>ipaddress</i>	Sets the server IP address or address set.

Defaults

No default behavior or values.

Command Modes

EXEC

Device Modes

application-accelerator

Usage Guidelines

This command controls legacy mode CIFS. To control the transparent CIFS accelerator, use the (**config**) **accelerator cifs** command. These two modes are mutually exclusive. For more information on the two WAFS modes, see the chapter “Configuring Wide Area File Services” in the *Cisco Wide Area Application Services Configuration Guide*.

CIFS legacy mode is deprecated and no longer supported in WAAS 4.2.x and later. We recommend using the transparent CIFS accelerator instead.

Use the **cifs restart** command to restart the WAFS services for a configuration change without having to reboot the WAE.

Examples

The following example shows how to set the TCP maximum segment size (MSS) value to 512 for the CIFS adapter:

```
WAE# cifs mss 512
```

Related Commands

[show cifs](#)

[show statistics cifs](#)

clear arp-cache

To clear the ARP cache, use the **clear arp-cache** EXEC command.

```
clear arp-cache [ipaddress | interface { GigabitEthernet 1-2/port | PortChannel 1-2 | Standby 1}]
```

Syntax Description		
arp-cache		Clears the ARP cache.
<i>ipaddress</i>		(Optional) ARP entries for the IP address.
interface		(Optional) Clears all ARP entries on the interface.
GigabitEthernet <i>1-2/port</i>		GigabitEthernet interface (slot/port).
PortChannel <i>1-2</i>		PortChannel interface number. Values are 1 or 2
Standby <i>1</i>		Standby interface number 1.

Defaults No default behavior or values.

Command Modes EXEC

Device Modes application-accelerator
central-manager

Examples The following example shows how to clear the ARP cache on the WAAS device:

```
WAE# clear arp-cache
```

Related Commands [license add](#)
[show interface](#)
[show license](#)
[show wccp](#)

clear cache

To clear cached objects, use the **clear cache** EXEC command.

```
clear cache { cifs | dre | http-metadatacache { all | conditional-response | redirect-response | unauthorized-response } [url]
```

Syntax Description		
cifs		Clears the CIFS cache.
dre		Clears the DRE cache.
http-metadatacache		Clears the HTTP accelerator metadata cache.
all		Clears cache entries for all HTTP metadata cache response types.
conditional-response		Clears cache entries for conditional responses (304).
redirect-response		Clears cache entries for redirect responses (301).
unauthorized-response		Clears cache entries for authorization required responses (401).
<i>url</i>		Clears cache entries matching only the specified URL. If the URL string contains a question mark (?), it must be escaped with a preceding backslash (for example, \?).

Defaults No default behavior or values.

Command Modes EXEC

Device Modes application-accelerator
central-manager

Usage Guidelines After you use the **clear cache dre** command, the first 1 MB of data is not optimized. The Cisco WAAS software does not optimize the first 1 MB of data after a restart of the tcproxy service. The data that is transmitted after the first 1 MB of data will be optimized according to the configured policy.

The **clear cache dre** command may cause the system to reboot, but you are asked to confirm before the command continues and you are given a chance to save any configuration changes that have been made to the running configuration.

Examples The following example shows how to clear the CIFS cached objects on the WAAS device:

```
WAE# clear cache cifs
```

The following example shows how to clear the HTTP metadata cache for conditional responses:

```
WAE# clear cache http-metadatacache conditional-response
```

Related Commands

[license add](#)
[show cache http-metadatacache](#)
[show interface](#)
[show license](#)
[show wccp](#)

clear cdp

To clear Cisco Discovery Protocol statistics, use the **clear cdp** EXEC command.

```
clear cdp {counters | table}
```

Syntax Description	cdp	Resets the Cisco Discovery Protocol (CDP) statistical data.
	counters	Clears the CDP counters.
	table	Clears the CDP tables.

Defaults No default behavior or values.

Command Modes EXEC

Device Modes application-accelerator
central-manager

Examples The following example shows how to clear the CDP counter statistics on the WAAS device:
WAE# **clear cdp counters**

Related Commands [license add](#)
[show interface](#)
[show license](#)
[show wccp](#)

clear ip

To clear IP access list statistics, use the **clear ip** EXEC command.

clear ip access-list counters [*acl-num* | *acl-name*]

Syntax Description		
ip		Clears the IP statistical information.
access-list		Clears the access list statistical information.
counters		Clears the IP access list counters.
<i>acl-num</i>		(Optional) Clears the counters for the specified access list, identified using a numeric identifier (standard access list: 1–99; extended access list: 100–199).
<i>acl-name</i>		(Optional) Clears the counters for the specified access list, identified using an alphanumeric identifier of up to 30 characters, beginning with a letter.

Defaults No default behavior or values.

Command Modes EXEC

Device Modes application-accelerator
central-manager

Examples The following example shows how to clear the IP access list counters on the WAAS device:

```
WAE# clear ip access-list counters
```

Related Commands

- [license add](#)
- [show interface](#)
- [show license](#)
- [show wccp](#)

clear license

To clear licensing configuration, use the **clear license** EXEC command.

clear license [*license-name*]

Syntax Description	license	Removes all installed software licenses, when specified without options.
	<i>license-name</i>	Name of the software license to remove. The following license names are supported: <ul style="list-style-type: none"> • Transport—Enables basic DRE, TFO, and LZ optimization. • Enterprise—Enables the EPM, HTTP, MAPI, NFS, SSL, CIFS (WAFS), and Windows Print application accelerators, the WAAS Central Manager, and basic DRE, TFO, and LZ optimization. You cannot remove this license if the video or virtualization licenses are installed. You must remove both of those licenses first. • Video—Enables the video application accelerator. • Virtual-Blade—Enables the virtualization feature.

Defaults No default behavior or values.

Command Modes EXEC

Device Modes application-accelerator
central-manager

Examples The following example shows how to clear the licensing configuration on the WAAS device:

```
WAE# clear license
```

Related Commands [license add](#)
[show interface](#)
[show license](#)
[show wccp](#)

clear logging

To clear syslog messages saved in a disk file, use the **clear logging** EXEC command.

clear logging

Syntax Description	logging Clears the syslog messages saved in the disk file.
Defaults	No default behavior or values.
Command Modes	EXEC
Device Modes	application-accelerator central-manager
Usage Guidelines	The clear logging command removes all current entries from the <i>syslog.txt</i> file but does not make an archive of the file. It puts a “Syslog cleared” message in the <i>syslog.txt</i> file to indicate that the syslog has been cleared.
Examples	The following example shows how to clear all entries in the <i>syslog.txt</i> file on the WAAS device: <pre>WAE# clear logging</pre> <pre>Feb 14 12:17:18 WAE# exec_clear_logging:Syslog cleared</pre>
Related Commands	license add show interface show license show wccp

clear statistics

To reset statistics data, use the **clear statistics** EXEC command.

```
clear statistics {all | aoim | authentication | auto-discovery {all | blacklist} | datamover |
  directed-mode | dre [global] | filtering | flow monitor tcpstat-v1 | generic-gre | icmp | inline
  | ip | pass-through | peer dre | radius | synq | tacacs | tcp | tfo | udp | wccp | windows-domain
  | windows-print }
```

Syntax Description

all	Clears all statistics.
authentication	Clears authentication statistics.
auto-discovery	Clears the auto-discovery statistics.
all	Clears all of the auto-discovery statistics.
aoim	Clears all of the application accelerator information manager statistics.
blacklist	Clears the auto-discovery statistics for the blacklist.
datamover	Clears all of the data mover statistics.
directed-mode	Clears the directed mode statistics.
dre	Clears the Data Redundancy Elimination (DRE) statistics.
global	Clears the global DRE statistics.
filtering	Clears the filter table statistics.
flow	Clears the network traffic flow statistics.
monitor	Clears the monitor flow performance statistics.
tcpstat-v1	Clears the tcpstat-v1 collector statistics.
generic-gre	Clears the generic GRE statistics.
icmp	Clears the ICMP statistics.
inline	Clears the inline interception statistics.
ip	Clears the IP statistics.
pass-through	Clears all of the pass-through statistics.
peer dre	Clears all peer DRE statistics.
radius	Clears the RADIUS statistics.
synq	Clears the SynQ module statistics.
tacacs	Clears the TACACS+ statistics.
tcp	Clears the TCP statistics.
tfo	Clears the TCP flow optimization (TFO) statistics.
udp	Clears the UDP statistics.
wccp	Clears all of the WCCP statistics.
windows-domain	Clears the Windows domain statistics.
windows-print	Clears all of the Windows print statistics.

Defaults

No default behavior or values.

Command Modes EXEC

Device Modes application-accelerator
central-manager

Usage Guidelines The **clear statistics** command clears all statistical counters from the parameters given. Use this command to monitor fresh statistical data for some or all features without losing cached objects or configurations.

Not all command options are applicable for a device in central-manager mode.

Examples The following example shows how to clear all authentication, RADIUS and TACACS+ information on the WAAS device:

```
WAE# clear statistics radius
WAE# clear statistics tacacs
WAE# clear statistics authentication
```

Related Commands [clear statistics accelerator](#)
[clear statistics connection](#)

clear statistics accelerator

To clear all global statistics, use the **clear statistics accelerator** EXEC command.

```
clear statistics accelerator { cifs | epm | generic | http | mapi | nfs | ssl | video }
```

Syntax Description		
cifs		Clears the statistics for the CIFS application accelerator.
epm		Clears the statistics for the EPM application accelerator.
generic		Clears the statistics for generic accelerator.
http		Clears the statistics for the HTTP application accelerator.
mapi		Clears the statistics for the MAPI application accelerator.
nfs		Clears the statistics for the NFS application accelerator.
ssl		Clears the statistics for the SSL application accelerator.
video		Clears the statistics for the video application accelerator.

Defaults No default behavior or values.

Command Modes EXEC

Device Modes application-accelerator

Examples The following example shows how to clear the statistics for the CIFS application accelerator on the WAAS device:

```
WAE# clear statistics accelerator cifs
```

Related Commands [clear statistics](#)
[clear statistics connection](#)

clear statistics connection

To clear connection statistics, use the **clear statistics connection** EXEC command.

```
clear statistics connection conn-id connection_id
```

```
clear statistics connection optimized [client-ip {ip_address | hostname} | client-port port | {cifs  
| epm | http | mapi | nfs | ssl | tfo | video} dre | peer-id peer_id | server-ip {ip_address |  
hostname} | server-port port]
```

Syntax Description

conn-id <i>connection_id</i>	Clears connection statistics for the connection with the specified number identifier.
optimized	Clears connection statistics for optimized connections.
client-ip	(Optional) Clears connection statistics for the client with the specified IP address or hostname.
<i>ip_address</i>	IP address of a client or server.
<i>hostname</i>	Hostname of a client or server.
client-port <i>port</i>	(Optional) Clears the connection statistics for the client with the specified port number. Port number 1–65535.
cifs	(Optional) Clears connection statistics for connections optimized by the CIFS application accelerator.
epm	(Optional) Clears connection statistics for connections optimized by the EPM application accelerator.
http	(Optional) Clears connection statistics for connections optimized by the HTTP application accelerator.
mapi	(Optional) Clears connection statistics for connections optimized by the MAPI application accelerator.
nfs	(Optional) Clears connection statistics for connections optimized by the NFS application accelerator.
ssl	(Optional) Clears connection statistics for connections optimized by the SSL application accelerator.
tfo	(Optional) Clears connection statistics for connections optimized by the TFO application accelerator.
video	(Optional) Clears connection statistics for connections optimized by the video application accelerator.
dre	(Optional) Clears connection statistics for connections optimized by the DRE feature.
peer-id <i>peer_id</i>	(Optional) Clears the connection statistics for the peer with the specified identifier. Number from 0 to 4294967295 identifying a peer.
server-ip	(Optional) Clears the connection statistics for the server with the specified IP address or hostname.
server-port <i>port</i>	(Optional) Clears the connection statistics for the server with the specified port number. Port number 1–65535.

Defaults

No default behavior or values.

clear statistics connection

Command Modes EXEC

Device Modes application-accelerator

Examples The following example shows how to clear the connection 1 statistics on the WAAS device:

```
WAE# clear statistics connection conn-id 1
```

Related Commands [clear statistics](#)
[clear statistics accelerator](#)

clear transaction-log

To archive working transaction log file, use the **clear transaction-log** EXEC command.

```
clear transaction-log {flow}
```

Syntax Description	transaction-log	Clears the transaction log.
	flow	Clears the TFO transaction log.

Defaults No default behavior or values.

Command Modes EXEC

Device Modes application-accelerator
central-manager

Examples The following example shows how to archive the flow transaction log file on the WAAS device:

```
WAE# clear transaction-log flow
```

Related Commands [license add](#)
[show interface](#)
[show license](#)
[show wccp](#)

clear users

To clear user connections or to unlock users that have been locked out, use the **clear users** EXEC command.

clear users [**administrative** | **locked-out** {**all** | **username** *username*}]

Syntax Description	users	Clears the connections (logins) of authenticated users.
	administrative	(Optional) Clears the connections (logins) of administrative users authenticated through a remote login service.
	locked-out	(Optional) Unlocks specified locked-out user accounts.
	all	Specifies all user accounts.
	username <i>username</i>	Specifies account username.

Defaults No default behavior or values.

Command Modes EXEC

Device Modes application-accelerator
central-manager

Usage Guidelines The **clear users administrative** command clears the connections for all administrative users who are authenticated through a remote login service, such as TACACS. This command does not affect an administrative user who is authenticated through the local database. Only locally authenticated administrative users can run this command.

The **clear users locked-out** command unlocks user accounts that have been locked out. If a strong password policy is enabled (see the [\(config\) authentication strict-password-policy](#) command) a user account will be locked out if the user fails three consecutive login attempts. (This restriction does not apply to the admin account.)

Examples The following example shows how to clear the connections of all authenticated users:

```
WAE(config)# clear users
```

The following example shows how to clear the connections of all administrative users authenticated through a remote login service (it does not affect administrative users authenticated through the local database):

```
WAE(config)# clear users administrative
```

The following example shows how to unlock all locked-out user accounts:

```
WAE(config)# clear users locked-out all
```


The following example shows how to unlock the account for username darcy:

```
WAE(config)# clear users locked-out username darcy
```

Related Commands

[clear arp-cache](#)

[\(config\) authentication strict-password-policy](#)

clear windows-domain-log

To clear the Windows domain server log file, use the **clear windows-domain-log** EXEC command.

clear windows-domain-log

Syntax Description	windows-domain-log	Clears the Samba, Kerberos, and Winbind log files.
---------------------------	---------------------------	--

Defaults	No default behavior or values.
-----------------	--------------------------------

Command Modes	EXEC
----------------------	------

Device Modes	application-accelerator central-manager
---------------------	--

Examples	The following example shows how to clear all entries in the Windows domain log file on the WAAS device:
-----------------	---

```
WAE# clear windows-domain-log
```

Related Commands	license add show interface show license show wccp
-------------------------	--

clock

To set clock functions or update the calendar, use the **clock EXEC** command.

clock { **read-calendar** | **set** *time day month year* | **update-calendar** }

Syntax Description	
read-calendar	Reads the calendar and updates the system clock.
set <i>time day month year</i>	Sets the time and date. Current time in hh:mm:ss format (hh: 00–23; mm: 00–59; ss: 00–59). Day of the month (1–31). Month of the year (January, February, March, April, May, June, July, August, September, October, November, December). Year (1993–2035).
update-calendar	Updates the calendar with the system clock.

Defaults No default behavior or values.

Command Modes EXEC

Device Modes application-accelerator
central-manager

Usage Guidelines If you have an outside source on your network that provides time services (such as a NTP server), you do not need to set the system clock manually. When setting the clock, enter the local time. The WAAS device calculates the UTC based on the time zone set by the **clock timezone** global configuration command.

Two clocks exist in the system: the software clock and the hardware clock. The software uses the software clock. The hardware clock is used only at bootup to initialize the software clock.

The **set** keyword sets the software clock.

Examples The following example shows how to set the software clock on the WAAS device:

```
WAE# clock set 13:32:00 01 February 2005
```

Related Commands [show clock](#)

cms

To configure the Centralized Management System (CMS) embedded database parameters for a WAAS device, use the **cms EXEC** command.

```
cms {config-sync | deregister [force] | lcm {enable | disable} | maintenance {full | regular} |
  recover {identity word} | restore filename | validate}
```

```
cms database {backup | create | delete | downgrade [script filename]}
```

Syntax Description

config-sync	Sets the node to synchronize configuration with the WAAS Central Manager.
deregister	Removes the device registration record and its configuration on the WAAS Central Manager.
force	(Optional) Forces the removal of the node registration. This option is available only on WAEs and the standby Central Manager. If disk encryption is enabled, it is disabled and encrypted file systems are erased after a reload.
lcm	Configures local/central management on a WAAS device that is registered with the WAAS Central Manager.
enable	Enables synchronization of the WAAS network configuration of the device with the local CLI configuration.
disable	Disables synchronization of the WAAS network configuration of the device with the local CLI configuration.
maintenance	Cleans and reindexes the embedded database tables.
full	Specifies a full maintenance routine for the embedded database tables.
regular	Specifies a regular maintenance routine for the embedded database tables.
recover	Recovers the identity of a WAAS device.
identity word	Specifies the identity of the recovered device (identification key set on the Central Manager)
restore filename	Restores the database management tables using the backup local filename.
validate	Validates the database files.
database	Creates, backs up, deletes, restores, or validates the CMS-embedded database management tables or files.
backup	Backs up the database management tables.
create	Creates the embedded database management tables.
delete	Deletes the embedded database files.
downgrade	Downgrades the CMS database.
script filename	(Optional) Downgrades the CMS database by applying a downgrade script (filename).

Defaults

No default behavior or values.

Command Modes EXEC

Device Modes application-accelerator
central-manager

Usage Guidelines Use the **cms config-sync** command to enable registered WAAS devices and standby WAAS Central Manager to contact the primary WAAS Central Manager immediately for a getUpdate (get configuration poll) request before the default polling interval of 5 minutes. For example, when a node is registered with the primary WAAS Central Manager and activated, it appears as Pending in the WAAS Central Manager GUI until it sends a getUpdate request. The **cms config-sync** command causes the registered node to send a getUpdate request at once, and the status of the node changes as Online.

Use the **cms database create** command to initialize the CMS database for a device that is already registered with the WAAS Central Manager. Then use the **cms enable** command to enable the CMS. For a device that is not registered with a WAAS Central Manager, use only the **cms enable** command to initialize the CMS database tables, register the node, and enable the CMS.

Before a node can join a WAAS network, it must first be registered and then activated. Activate the node by using the WAAS Central Manager GUI.

The **cms deregister** command removes the node from the WAAS network by deleting registration information and database tables.

The **cms deregister force** command forces the removal of the node from the WAAS network by deleting registration information and database tables. If disk encryption is enabled on the device, it is disabled after you confirm this action. All data in encrypted file systems and imported certificates and private keys for the SSL accelerator are lost after a reload.

To back up the existing management database for the WAAS Central Manager, use the **cms database backup** command. For database backups, specify the following items:

- Location, password, and user ID
- Dump format in PostgreSQL plain text syntax

The naming convention for backup files includes the time stamp and the WAAS version number.

**Note**

For information on the procedure to back up and restore the CMS database on the WAAS Central Manager, see the *Cisco Wide Area Application Services Configuration Guide*.

**Note**

Do not run multiple instances of the **cms database backup** command simultaneously on a device. If a backup is in progress, you must wait for it to finish before using the command again.

When you use the **cms recover identity** *word* command when recovering lost registration information, or replacing a failed node with a new node that has the same registration information, you must specify the device recovery key that you configured in the Modifying Config Property, System.device.recovery.key window of the WAAS Central Manager GUI.

**Note**

All CMS-related commands are disabled when running the **cms restore** command.

Use the **lcm** command to configure local/central management (LCM) on a WAE. The LCM feature allows settings that are configured using the device CLI or GUI to be stored as part of the WAAS network-wide configuration data (enable or disable).

When you enter the **cms lcm enable** command, the CMS process running on WAEs and the standby WAAS Central Manager detects the configuration changes that you made on these devices using CLIs and sends the changes to the primary WAAS Central Manager.

When you enter the **cms lcm disable** command, the CMS process running on the WAEs and the standby WAAS Central Manager does not send the CLI changes to the primary WAAS Central Manager. Settings configured using the device CLIs will not be sent to the primary WAAS Central Manager.

If LCM is disabled, the settings configured through the WAAS Central Manager GUI will overwrite the settings configured from the WAEs; however, this rule applies only to those local device settings that have been overwritten by the WAAS Central Manager when you have configured the local device settings. If you (as the local CLI user) change the local device settings after the particular configuration has been overwritten by the WAAS Central Manager, the local device configuration will be applicable until the WAAS Central Manager requests a full device statistics update from the WAEs (clicking the **Force full database update** button from the Device Dashboard window of the WAAS Central Manager GUI triggers a full update). When the WAAS Central Manager requests a full update from the device, the WAAS Central Manager settings will overwrite the local device settings.

Examples

The following example shows how to back up the cms database management tables on the WAAS Central Manager named waas-cm:

```
waas-cm# cms database backup
creating backup file with label `backup'
backup file local1/acns-db-9-22-2002-17-36.dump is ready. use `copy' commands to move the
backup file to a remote host.
```

The following example shows how to validate the cms database management tables on the WAAS Central Manager named waas-cm:

```
waas-cm# cms database validate
Management tables are valid
```

Related Commands

[\(config\) cms](#)
[show cms](#)

cms secure-store

To configure secure store encryption, use the **cms secure-store** EXEC commands.

cms secure-store {init | open | change | clear | reset}

Syntax Description		
init	Initializes secure store encryption on the WAAS device and opens the secure store.	On the Central Manager, this command prompts you to enter the secure store encryption pass phrase.
open	Activates secure store encryption (the WAAS device encrypts the stored data using secure store encryption). Secure store encryption must already be initialized using the cms secure-store init command.	On the Central Manager, this command prompts you to enter the secure store encryption pass phrase.
change	Changes the secure store encryption pass phrase and encryption key. On the Central Manager this command prompts you to enter the current pass phrase, new pass phrase, and confirm the new pass phrase. The WAAS device uses the pass phrase to generate the encryption key for secure disk encryption.	
clear	Disables secure store encryption.	
reset	Resets secure store to the uninitialized state. Secure store encryption must be initialized but not open to use this option.	

Defaults The standard encryption and key management is the default.

Command Modes EXEC

Device Modes application-accelerator
central-manager

Usage Guidelines Secure store encryption provides stronger encryption and key management for your WAAS system. The WAAS Central Manager and WAE devices use secure store encryption for handling passwords, managing encryption keys, and for data encryption.

When you use the **cms secure-store** EXEC command to enable secure store on the Central Manager, or a WAE device, the WAAS system uses strong encryption algorithms and key management policies to protect certain data on the system. This data includes encryption keys used by applications in the WAAS system, CIFS passwords, and user login passwords.

When you enable secure store on Central Manager, the data is encrypted using a key encryption key generated from the pass phrase you enter with SHA-1 hashing and an AES 256-bit algorithm. When you enable secure store on a WAE device, the data is encrypted using a 256-bit key encryption key generated by SecureRandom, a cryptographically strong pseudorandom number. You must enter a password to enable secure store. The password must conform to the following rules:

- Be 8 to 64 characters in length
- Contain characters only from the allowed set ([A-Za-z0-9~%!'#\$^&*()|;:,"<>/]*)
- Contain at least one digit
- Contain at least one lowercase and one uppercase letter

When you first initialize secure store encryption with the **cms secure-store init** command, this command also opens the secure store, so there is no need to use the **cms secure-store open** command. When you reboot the Central Manager, you must manually reopen secure store using the **cms secure-store open** command. Until you open the secure store, a critical alarm is displayed on the Central Manager.

When you enable secure store on a WAE, the WAE initializes and retrieves a new encryption key from the Central Manager. The WAE uses this key to encrypt user passwords, CIFS preposition and dynamic share credentials, and WAFS password credentials stored on the WAE. When you reboot the WAE after enabling secure store, the WAE retrieves the key from the Central Manager automatically, allowing normal access to the data that is stored in the WAAS persistent storage. If key retrieval fails, an alarm is raised and secure store will be in the initialized but not open state. You must open secure store manually.

If you have made any other CLI configuration changes on a WAE within the datafeed poll rate time interval (5 minutes by default) before you entered the **cms secure-store** command, you will lose those prior configuration changes and you will need to redo them.

Use the **cms secure-store reset** command if you reload the Central Manager and forget the secure store password, so you cannot open the secure store. This command deletes all encrypted data, certificate and key files, and key manager keys. The secure store is left in the uninitialized state. For the complete procedure for resetting the secure store, see the [“Resetting Secure Store Encryption on a Central Manager” section on page 9-15](#) in the *Cisco Wide Area Application Services Configuration Guide*.

Examples

The following example shows how to initialize and activate secure store encryption on the WAAS Central Manager:

```

waas-cm# cms secure-store init
Stopping cms.

*****
* 1) Must be between 8 to 64 characters in length *
* 2) Allowed character set is ([A-Za-z0-9~%!'#$^&*()|;:,"<>/]*) *
* 3) Must contain at least one digit *
* 4) Must contain at least one lowercase and one uppercase letter *
*****

enter pass-phrase:
confirm pass-phrase:
Successfully migrated user passwords
Successfully migrated Cifs preposition password
Successfully migrated Cifs dynamic shares password
Successfully migrated key store
**** WARNING : REBOOTING CM REQUIRES RE-OPENING SECURE STORE MANUALLY. AFTER REBOOT, DISK
ENCRYPTION AND CIFS PREPOSITION FEATURES ON REMOTE WAE(S) WILL NOT OPERATE
PROPERLY UNTIL USER RE-OPENS SECURE STORE ON CM BY INPUTTING THE PASSPHRASE ****
successfully initialized and opened secure-store.
Starting cms.
```


The following example shows how to deactivate secure store encryption:

```
waas-cm# cms secure-store clear
Secure store clear will result in deletion of CM pki store certificate/private key files
Do you want to continue(yes/no)?yes
Stopping cms.
Successfully migrated user passwords
Successfully migrated Cifs preposition password
Successfully migrated Cifs dynamic shares password
Successfully migrated key store
secure-store clear
Starting cms.
```

Related Commands [show cms secure-store](#)

configure

To enter global configuration mode, use the **configure** EXEC command. You must be in global configuration mode to enter global configuration commands.

configure

To exit global configuration mode, use the **end** or **exit** commands. You can also press **Ctrl-Z** to exit from global configuration mode.

Syntax Description This command has no arguments or keywords.

Defaults No default behavior or values.

Command Modes EXEC

Device Modes application-accelerator
central-manager

Examples The following example shows how to enable global configuration mode on a WAAS device:

```
WAE# configure  
WAE(config)#
```

Related Commands [\(config\) end](#)
[\(config\) exit](#)
[show running-config](#)
[show startup-config](#)

copy cdrom

To copy software release files from a CD-ROM, use the **copy cdrom** EXEC command.

copy cdrom install *filedir filename*

Syntax Description	cdrom	Copies a file from the CD-ROM.
	install <i>filedir filename</i>	Installs the software release from the directory location and filename specified.

Defaults No default behavior or values.

Command Modes EXEC

Device Modes application-accelerator
central-manager

Examples The following example shows how to copy a software release file from a CD-ROM:

```
WAE# copy cdrom install
```

Related Commands

- [install](#)
- [reload](#)
- [show running-config](#)
- [show startup-config](#)
- [wafs](#)
- [write](#)

copy cdrom wow-recovery

To recover Windows on a virtual blade without reloading the software, use the **copy cdrom wow-recovery** EXEC command.

copy cdrom wow-recover install *filedir filename*

Syntax Description	cdrom	Copies the Windows system files from the CD-ROM.
	wow-recovery	Recovers the Windows operating system.
	install <i>filedir filename</i>	Installs the Windows operating system on the virtual blade from the directory location and Windows filename.

Defaults No default behaviors or values.

Command Modes EXEC

Device Modes application-accelerator
central-manager

Usage Guidelines Use the **copy cdrom wow-recovery** EXEC command to recover the Windows system files of a virtual blade. This command allows you to recover Windows on your virtual blade while the WAAS is running, without having to restart your WAE device.

Examples The following example shows how to recover Windows on a virtual blade:

```
WAE# copy cdrom wow-recovery install
```

Related Commands [copy ftp](#)
[copy cdrom](#)
[virtual-blade](#)
[\(config\) virtual-blade](#)

copy compactflash

To copy software release files from a CompactFlash card, use the **copy compactflash** EXEC command.

copy compactflash install *filename*

Syntax Description	compactflash	Copies a file from the CompactFlash card.
	install <i>filename</i>	Installs a software release from an image filename.

Defaults No default behaviors or values.

Command Modes EXEC

Device Modes application-accelerator
central-manager

Examples The following example shows how to copy a software release file from a CompactFlash card:

```
WAE# copy compactflash install
```

Related Commands

- [install](#)
- [reload](#)
- [show running-config](#)
- [show startup-config](#)
- [wafs](#)
- [write](#)

copy disk

To copy the configuration or image data from a disk to a remote location using FTP or to the startup configuration, use the **copy disk** EXEC command.

```
copy disk {ftp {hostname | ip-address} remotefiledir remotefilename |
startup-config filename }
```

Syntax Description		
disk		Copies a local disk file.
ftp		Copies to a file on an FTP server.
<i>hostname</i>		Hostname of the FTP server.
<i>ip-address</i>		IP address of the FTP server.
<i>remotefiledir</i>		Directory on the FTP server to which the local file is copied.
<i>remotefilename</i>		Name of the local file once it has been copied to the FTP server.
<i>localfilename</i>		Name of the local file to be copied.
startup-config <i>filename</i>		Copies the existing configuration file from the disk to the startup configuration (NVRAM).

Defaults No default behaviors or values.

Command Modes EXEC

Device Modes application-accelerator
central-manager

Usage Guidelines Use the **copy disk ftp** EXEC command to copy files from a SYSFS partition to an FTP server. Use the **copy disk startup-config** EXEC command to copy a startup-configuration file to NVRAM.

Examples The following example shows how to copy a startup-configuration file to NVRAM:

```
WAE# copy disk startup-config
```

Related Commands

- [install](#)
- [reload](#)
- [show running-config](#)
- [show startup-config](#)
- [wafs](#)

write

copy ftp

To copy software configuration or image data from an FTP server, use the **copy ftp** EXEC command.

copy ftp disk {*hostname* | *ip-address*} *remotefiledir remotefilename localfilename*

copy ftp install {*hostname* | *ip-address*} *remotefiledir remotefilename*

copy ftp virtual-blade *vb_num disk vb_disk* {*hostname* | *ip-address*} *remotefiledir remotefilename*

copy ftp wow-recovery {*hostname* | *ip-address*} *remotefiledir remotefilename*

Syntax Description		
disk		Copies a file to a local disk.
<i>hostname</i>		Hostname of the specific server.
<i>ip-address</i>		IP address of the specific server.
<i>remotefiledir</i>		Directory on the FTP server where the image file to be copied is located.
<i>remotefilename</i>		Name of the file to be copied.
<i>localfilename</i>		Name of the copied file as it appears on the local disk.
install		Copies the file from an FTP server and installs the software release file to the local device.
virtual-blade <i>vb_num</i>		Specifies the virtual blade number of the virtual blade disk image to copy to.
disk <i>vb_disk</i>		Specifies the virtual blade disk number of the virtual blade disk image to copy to.
wow-recovery		Recovers the Windows operating system for use on a virtual blade.

Defaults No default behaviors or values.

Command Modes EXEC

Device Modes application-accelerator
central-manager

Usage Guidelines Use the **copy ftp disk** EXEC command to copy a file from an FTP server to a SYSFS partition on the WAAS device. To show progress, this command prints a number sign (#) for each 1 MB of data that is copied.

Use the **copy ftp install** EXEC command to install an image file from an FTP server on a WAAS device. Part of the image goes to a disk and part goes to flash memory.

You can also use the **copy ftp install** EXEC command to redirect your transfer to a different location. A username and a password have to be authenticated with a primary domain controller (PDC) before the transfer of the software release file to the WAAS device is allowed.

Use the **copy ftp wow-recovery EXEC** command to copy a Windows operating system image from an FTP server to a virtual blade partition on the WAAS device.

To show progress, this command prints a number sign (#) for each 1 MB of data that is copied.

Examples

The following example shows how to copy an image file from an FTP server and install the file on the local device:

```
WAE# copy ftp install 10.1.1.1 cisco/waas/4.1 WAAS-4.1.1-k9.bin
Enter username for remote ftp server:biff
Enter password for remote ftp server:*****
Initiating FTP download...
printing one # per 1MB downloaded
Sending:USER biff
10.1.1.1 FTP server (Version) Mon Feb 28 10:30:36 EST
2000) ready.
Password required for biff.
Sending:PASS *****
User biff logged in.
Sending:TYPE I
Type set to I.
Sending:PASV
Entering Passive Mode (128,107,193,244,55,156)
Sending:CWD //ftp-sj.cisco.com/cisco/waas/4.0
CWD command successful.
Sending PASV
Entering Passive Mode (128,107,193,244,55,156)
Sending:RETR WAAS-4.1.1-k9.bin
Opening BINARY mode data connection for ruby.bin (87376881 bytes).
#####
writing flash component:
.....
The new software will run after you reload.
```

The following example shows how to upgrade the BIOS. All output is written to a separate file (*/local/bios_upgrade.txt*) for traceability. The hardware-dependent files that are downloaded from Cisco.com for the BIOS upgrade are automatically deleted from the WAAS device after the BIOS upgrade procedure has been completed.

```
WAE-7326# copy ftp install upgradserver /bios/update53/derived/ 7326_bios.bin
Enter username for remote ftp server:myusername
Enter password for remote ftp server:*****
Initiating FTP download...
printing one # per 1MB downloaded
Sending:USER myusername
upgradserver.cisco.com FTP server (Version wu-2.6.1-18) ready.
Password required for myusername.
Sending:PASS *****
Please read the file README_dotfiles
  it was last modified on Wed Feb 19 16:10:26 2005- 94 days ago
Please read the file README_first
  it was last modified on Wed Feb 19 16:05:29 2005- 94 days ago
User myusername logged in.
Sending:TYPE I
Type set to I.
Sending:PASV
Entering Passive Mode (128,107,193,240,57,37)
Sending:CWD /bios/update53/derived/
CWD command successful.
Sending PASV
Entering Passive Mode (128,107,193,240,146,117)
```

```

Sending:RETR 7326_bios.bin
Opening BINARY mode data connection for 7326_bios.bin (834689 bytes).
Fri Jan 7 15:29:07 UTC 2005
BIOS installer running!
Do not turnoff the system till BIOS installation is complete.
Flash chipset:Macronix 29LV320B
0055000.FLS:280000 [80000]
Erasing block 2f:280000 - 28ffff
Erasing block 30:290000 - 29ffff
Erasing block 31:2a0000 - 2affff
Erasing block 32:2b0000 - 2bffff
Erasing block 33:2c0000 - 2cffff
Erasing block 34:2d0000 - 2dffff
Erasing block 35:2e0000 - 2effff
Erasing block 36:2f0000 - 2fffff
Programming block 2f:280000 - 28ffff
Programming block 30:290000 - 29ffff
Programming block 31:2a0000 - 2affff
Programming block 32:2b0000 - 2bffff
Programming block 33:2c0000 - 2cffff
Programming block 34:2d0000 - 2dffff
Programming block 35:2e0000 - 2effff
Programming block 36:2f0000 - 2fffff
SCSIROM.BIN:260000 [20000]
Erasing block 2d:260000 - 26ffff
Erasing block 2e:270000 - 27ffff
Programming block 2d:260000 - 26ffff
Programming block 2e:270000 - 27ffff
PXEROM.BIN:250000 [10000]
Erasing block 2c:250000 - 25ffff
Programming block 2c:250000 - 25ffff
Primary BIOS flashed successfully
Cleanup BIOS related files that were downloaded...
The new software will run after you reload.
WAE-7326#

```

The following example shows how to copy a Windows image file from an FTP server and install the file on the virtual blade:

```

WAE# copy ftp wow-recovery 10.1.1.1 /cisco/waas/4.1 windows.iso
Enter username for remote ftp server:biff
Enter password for remote ftp server:*****
Initiating FTP download...

```

Related Commands

[install](#)

[reload](#)

[show running-config](#)

[show startup-config](#)

[wafs](#)

[write](#)

copy http

To copy configuration or image files from an HTTP server to the WAAS device, use the **copy http** EXEC command.

```
copy http install {hostname | ip-address} remotefiledir remotefilename [port portnum] [proxy
proxy_portnum] [username username password]
```

Syntax Description		
http		Copies the file from an HTTP server.
install		Copies the file from an HTTP server and installs the software release file to the local device.
<i>hostname</i>		Name of the HTTP server.
<i>ip-address</i>		IP address of the HTTP server.
<i>remotefiledir</i>		Remote file directory.
<i>remotefilename</i>		Remote filename.
port <i>portnum</i>		(Optional) Port number (1–65535) to connect to the HTTP server (the default is 80).
proxy <i>proxy_portnum</i>		(Optional) Allows the request to be redirected to an HTTP proxy server. HTTP proxy server port number (1–65535).
username <i>username password</i>		(Optional) Username and password to access the HTTP proxy server.

Defaults HTTP server port: 80

Command Modes EXEC

Device Modes application-accelerator
central-manager

Usage Guidelines Use the **copy http install** EXEC command to install an image file from an HTTP server and install it on a WAAS device. It transfers the image from an HTTP server to the WAAS device using HTTP as the transport protocol and installs the software on the device. Part of the image goes to a disk and part goes to flash memory. Use the **copy http central** EXEC command to download a software image into the repository from an HTTP server.

You can also use the **copy http install** EXEC commands to redirect your transfer to a different location or HTTP proxy server by specifying the **proxy** *hostname* | *ip-address* option. A username and a password have to be authenticated with a primary domain controller (PDC) before the transfer of the software release file to the WAAS device is allowed.

Examples

The following example shows how to copy an image file from an HTTP server and install the file on the WAAS device:

```
WAE# copy http install 10.1.1.1 //ftp-sj.cisco.com/cisco/waas/4.0 WAAS-4.0.0-k9.bin
Enter username for remote ftp server:biff
Enter password for remote ftp server:*****
Initiating FTP download...
printing one # per 1MB downloaded
Sending:USER biff
10.1.1.1 FTP server (Version) Mon Feb 28 10:30:36 EST
2000) ready.
Password required for biff.
Sending:PASS *****
User biff logged in.
Sending:TYPE I
Type set to I.
Sending:PASV
Entering Passive Mode (128,107,193,244,55,156)
Sending:CWD //ftp-sj.cisco.com/cisco/waas/4.0
CWD command successful.
Sending PASV
Entering Passive Mode (128,107,193,244,55,156)
Sending:RETR WAAS-4.0.0-k9.bin
Opening BINARY mode data connection for ruby.bin (87376881 bytes).
#####
writing flash component:
.....
The new software will run after you reload.
```

The following example shows how to upgrade the BIOS. All output is written to a separate file (*/local1/bios_upgrade.txt*) for traceability. The hardware-dependent files that are downloaded from Cisco.com for the BIOS upgrade are automatically deleted from the WAAS device after the BIOS upgrade procedure has been completed.

```
WAE-7326# copy ftp install upgradserver /bios/update53/derived/ 7326_bios.bin
Enter username for remote ftp server:myusername
Enter password for remote ftp server:*****
Initiating FTP download...
printing one # per 1MB downloaded
Sending:USER myusername
upgradserver.cisco.com FTP server (Version wu-2.6.1-18) ready.
Password required for myusername.
Sending:PASS *****
Please read the file README_dotfiles
  it was last modified on Wed Feb 19 16:10:26 2005- 94 days ago
Please read the file README_first
  it was last modified on Wed Feb 19 16:05:29 2005- 94 days ago
User myusername logged in.
Sending:TYPE I
Type set to I.
Sending:PASV
Entering Passive Mode (128,107,193,240,57,37)
Sending:CWD /bios/update53/derived/
CWD command successful.
Sending PASV
Entering Passive Mode (128,107,193,240,146,117)
Sending:RETR 7326_bios.bin
Opening BINARY mode data connection for 7326_bios.bin (834689 bytes).
Fri Jan 7 15:29:07 UTC 2005
BIOS installer running!
Do not turnoff the system till BIOS installation is complete.
Flash chipset:Macronix 29LV320B
0055000.FLS:280000 [80000]
```

```
Erasing block 2f:280000 - 28ffff
Erasing block 30:290000 - 29ffff
Erasing block 31:2a0000 - 2affff
Erasing block 32:2b0000 - 2bffff
Erasing block 33:2c0000 - 2cffff
Erasing block 34:2d0000 - 2dffff
Erasing block 35:2e0000 - 2effff
Erasing block 36:2f0000 - 2fffff
Programming block 2f:280000 - 28ffff
Programming block 30:290000 - 29ffff
Programming block 31:2a0000 - 2affff
Programming block 32:2b0000 - 2bffff
Programming block 33:2c0000 - 2cffff
Programming block 34:2d0000 - 2dffff
Programming block 35:2e0000 - 2effff
Programming block 36:2f0000 - 2fffff
SCSIROM.BIN:260000 [20000]
Erasing block 2d:260000 - 26ffff
Erasing block 2e:270000 - 27ffff
Programming block 2d:260000 - 26ffff
Programming block 2e:270000 - 27ffff
PXEROM.BIN:250000 [10000]
Erasing block 2c:250000 - 25ffff
Programming block 2c:250000 - 25ffff
Primary BIOS flashed successfully
Cleanup BIOS related files that were downloaded....
The new software will run after you reload.
```

Related Commands[install](#)[reload](#)[show running-config](#)[show startup-config](#)[wafs](#)[write](#)

copy running-config

To copy a configuration or image data from the current configuration, use the **copy running-config EXEC** command.

```
copy running-config { disk filename | startup-config | tftp { hostname | ip-address }
                    remotefilename }
```

Syntax Description		
running-config		Copies the current system configuration.
disk filename		Copies the current system configuration to a disk file. Specify the name of the file to be created on a disk.
startup-config		Copies the running configuration to startup configuration (NVRAM).
tftp		Copies the running configuration to a file on a TFTP server.
<i>hostname</i>		Hostname of the TFTP server.
<i>ip-address</i>		IP address of the TFTP server.
<i>remotefilename</i>		Remote filename of the configuration file to be created on the TFTP server. Use the complete pathname.

Defaults No default behaviors or values.

Command Modes EXEC

Device Modes application-accelerator
central-manager

Usage Guidelines Use the **copy running-config EXEC** command to copy the running system configuration of the WAAS device to a SYSFS partition, flash memory, or TFTP server. The **copy running-config startup-config EXEC** command is equivalent to the **write memory EXEC** command.

Examples The following example shows how to copy the current system configuration to startup configuration (NVRAM):

```
WAE# copy running-config startup-config
```

Related Commands [install](#)
[reload](#)
[show running-config](#)
[show startup-config](#)

wafs
write

copy startup-config

To copy configuration or image data from the startup configuration, use the **copy startup-config** EXEC command.

```
copy startup-config {disk filename | running-config | tftp {hostname | ip-address}
                    remotefilename }
```

Syntax	Description
startup-config	Copies the startup configuration.
disk filename	Copies the startup configuration to a disk file. Specify the name of the startup configuration file to be copied to the local disk.
running-config	Copies the startup configuration to running configuration.
tftp	Copies the startup configuration to a file on a TFTP server.
<i>hostname</i>	Hostname of the TFTP server.
<i>ip-address</i>	IP address of the TFTP server.
<i>remotefilename</i>	Remote filename of the startup configuration file to be created on the TFTP server. Use the complete pathname.

Defaults No default behaviors or values.

Command Modes EXEC

Device Modes application-accelerator
central-manager

Usage Guidelines Use the **copy startup-config** EXEC command to copy the startup configuration file to a TFTP server or to a SYSFS partition.

Examples The following example shows how to copy the startup configuration file to the running configuration:

```
WAE# copy startup-config running-config
```

Related Commands

- [install](#)
- [reload](#)
- [show running-config](#)
- [show startup-config](#)
- [wafs](#)
- [write](#)

copy sysreport

To copy system troubleshooting information from the device, use the **copy sysreport EXEC** command.

copy sysreport disk *filename*

copy sysreport ftp {*hostname* | *ip-address*} *remotedirectory remotefilename*

copy sysreport tftp {*hostname* | *ip-address*} *remotefilename* [**start-date** {*day month* | *month day*} *year* [**end-date** {*day month* | *month day*} *year*]]

Syntax Description

sysreport	Generates and saves a report containing WAAS system information in a file.
disk <i>filename</i>	Copies system information to a disk file. Specify the name of the file to be created on a disk. Note that .tar.gz is appended to the filename that you specify.
ftp	Copies system information to a FTP server.
<i>hostname</i>	Hostname of the server.
<i>ip-address</i>	IP address of the server.
<i>remotedirectory</i>	Remote directory where the system information file is to be created on the FTP server.
<i>remotefilename</i>	Remote filename of the system information file to be created on the FTP server.
tftp	Copies system information to a TFTP server.
<i>remotefilename</i>	Remote filename of the system information file to be created on the TFTP server. Use the complete pathname.
start-date	(Optional) Start date of the information in the generated system report.
<i>day month</i>	Start date day of the month (1–31) and month of the year (January, February, March, April, May, June, July, August, September, October, November, December). You can alternately specify the month first, followed by the day.
<i>year</i>	Start date year (1993–2035).
end-date	(Optional) End date of information in the generated system report. If omitted, this date defaults to today. The report includes files through the end of this day.
<i>day month</i>	End date day of the month (1–31) and month of the year (January, February, March, April, May, June, July, August, September, October, November, December). You can alternately specify the month first, followed by the day.
<i>year</i>	End date year (1993–2035).

Defaults

If **end-date** is not specified, today is used.

Command Modes

EXEC

Device Modes

application-accelerator
central-manager

Usage Guidelines

The **copy sysreport** command consumes significant CPU and disk resources and can adversely affect system performance while it is running.

Examples

The following example shows how to copy system information to the file `mysysinfo` on the local WAAS device:

```
WAE# copy sysreport disk mysysinfo start-date 1 April 2006 end-date April 30 2006
```

The following example shows how to copy system information by FTP to the file `foo` in the root directory of the FTP server named `myserver`:

```
WAE# copy sysreport ftp myserver / foo start-date 1 April 2006 end-date April 30 2006
```

Related Commands

[show running-config](#)
[show startup-config](#)
[wafs](#)

copy system-status

To copy status information from the system for debugging, use the **copy system-status EXEC** command.

copy system-status disk *filename*

Syntax Description	system-status	Copies the system status to a disk file.
	disk <i>filename</i>	Name of the file to be created on the disk.

Defaults No default behaviors or values.

Command Modes EXEC

Device Modes application-accelerator
central-manager

Usage Guidelines Use the **copy system-status EXEC** command to create a file on a SYSFS partition that contains hardware and software status information.

Examples The following example shows how to copy the system status to a disk file:

```
WAE# copy system-status disk file1
```

Related Commands [install](#)
[reload](#)
[show running-config](#)
[show startup-config](#)
[wafs](#)
[write](#)

copy tech-support

To copy the configuration or image data from the system to use when working with Cisco TAC, use the **copy tech-support** EXEC command.

```
copy tech-support {disk filename | ftp {hostname | ip-address} remotedirectory remotefilename | tftp {hostname | ip-address} remotefilename}
```

Syntax Description		
tech-support		Copies system information for technical support.
disk <i>filename</i>		Copies system information for technical support to a disk file. Specify the name of the file to be created on disk.
ftp		Copies system information for technical support to an FTP server.
<i>hostname</i>		Hostname of the FTP server.
<i>ip-address</i>		IP address of the FTP server.
<i>remotedirectory</i>		Remote directory of the system information file to be created on the FTP server. Use the complete pathname.
<i>remotefilename</i>		Remote filename of the system information file to be created on the FTP server.
tftp		Copies system information for technical support to a TFTP server.
<i>hostname</i>		Hostname of the TFTP server.
<i>ip-address</i>		IP address of the TFTP server.
<i>remotefilename</i>		Remote filename of the system information file to be created on the TFTP server. Use the complete pathname.

Defaults No default behaviors or values.

Command Modes EXEC

Device Modes application-accelerator
central-manager

Usage Guidelines Use the **copy tech-support tftp** EXEC command to copy technical support information to a TFTP server or to a SYSFS partition.

Examples The following example shows how to copy system information for tech support to a disk file:

```
WAE# copy tech-support disk file1
```

Related Commands [install](#)

reload
show running-config
show startup-config
wafs
write

copy tftp

To copy configuration or image data from a TFTP server, use the **copy tftp** EXEC command.

```
copy tftp disk {hostname | ip-address} remotefilename localfilename
```

```
copy tftp running-config {hostname | ip-address} remotefilename
```

```
copy tftp startup-config {hostname | ip-address} remotefilename
```

Syntax Description		
tftp		Copies an image from a TFTP server.
disk		Copies an image from a TFTP server to a disk file.
<i>hostname</i>		Hostname of the TFTP server.
<i>ip-address</i>		IP address of the TFTP server.
<i>remotefilename</i>		Name of the remote image file to be copied from the TFTP server. Use the complete pathname.
<i>localfilename</i>		Name of the image file to be created on the local disk.
running-config		Copies an image from a TFTP server to the running configuration.
startup-config		Copies an image from a TFTP server to the startup configuration.

Defaults No default behaviors or values.

Command Modes EXEC

Device Modes application-accelerator
central-manager

Examples The following example shows how to copy configuration or image data from a TFTP server to the running configuration:

```
WAE# copy tftp running-config
```

Related Commands

- [install](#)
- [reload](#)
- [show running-config](#)
- [show startup-config](#)
- [wafs](#)
- [write](#)

copy virtual-blade

To copy software configuration or image data from a virtual blade disk image to an FTP server, use the **copy virtual-blade EXEC** command.

```
copy virtual-blade vb_num disk vb_disk ftp {hostname | ip-address} remotefiledir remotefilename
```

Syntax Description		
virtual-blade <i>vb_num</i>	Specifies the virtual blade number of the virtual blade disk image to copy to.	
disk <i>vb_disk</i>	Specifies the virtual blade disk number of the virtual blade disk image to copy to.	
ftp	Writes to an FTP server.	
<i>hostname</i>	Hostname of the specific server.	
<i>ip-address</i>	IP address of the specific server.	
<i>remotefiledir</i>	Directory where the image file to be copied is located.	
<i>remotefilename</i>	Name of the file to be copied.	

Defaults No default behaviors or values.

Command Modes EXEC

Device Modes application-accelerator
central-manager

Examples The following example shows how to copy an image file from a virtual blade to an FTP server:

```
WAE# copy virtual-blade 1 disk 1 ftp 10.75.16.234 / file.img
```

Related Commands

- [copy ftp](#)
- [install](#)
- [reload](#)
- [show running-config](#)
- [show startup-config](#)
- [wafs](#)
- [write](#)

cpfile

To make a copy of a file, use the **cpfile** EXEC command.

cpfile *oldfilename newfilename*

Syntax Description		
	<i>oldfilename</i>	Name of the file to copy.
	<i>newfilename</i>	Name of the copy to be created.

Defaults No default behavior or values.

Command Modes EXEC

Device Modes application-accelerator
central-manager

Usage Guidelines Only SYSFS files can be copied.

Examples The following example shows how to create a copy of a file:

```
WAE# cpfile fe512-194616.bin fd512-194618.bin
```

Related Commands [deltree](#)
[dir](#)
[lls](#)
[ls](#)
[mkdir](#)
[pwd](#)
[rename](#)

crypto delete

To remove SSL certificate and key files, use the **crypto delete** EXEC command.

```
crypto delete { ca-certificate filename | pkcs12 { filename | admin } }
```

Use the crypto delete EXEC command to remove a certificate from your WAE's secure store. If you only want to disassociate a certificate from an accelerated service, use **no server-cert-key** in crypto ssl services accelerated-service mode.

Syntax Description

ca-certificate <i>filename</i>	Deletes a certificate authority certificate file.
pkcs12 <i>filename</i>	Deletes a PKCS12 format file. (PKCS12 files contain both the private encryption key and the public key certificate.)
admin	Deletes the certificate and key for the Central Manager admin service, if a custom certificate and key were installed. This option can be used only on the Central Manager.

Defaults

No default behavior or values.

Command Modes

EXEC

Device Modes

application-accelerator

Usage Guidelines

If you use the **crypto delete pkcs12 admin** command to delete a custom certificate and key that were installed for the Central Manager admin service, the admin service uses its built-in self-signed certificate.

Examples

The following example shows how to delete the CA certificate file mycert.ca:

```
WAE# crypto delete ca-certificate mycert.ca
```

Related Commands

[crypto export](#)
[crypto generate](#)
[crypto import](#)

crypto export

To export SSL certificate and key files, use the **crypto export** EXEC command.

```
crypto export { ca-certificate filename | pkcs12 { factory-self-signed | admin | filename }
  { pem-cert-key | pem-cert-only | pem-key-only | pkcs12 } } { disk pathname | ftp address | sftp
address | terminal | tftp address }
```

Syntax Description	
ca-certificate <i>filename</i>	Export a certificate authority certificate file.
pkcs12	Export a PKCS12 format file. (PKCS12 files contain both the private encryption key and the public key certificate.)
factory-self-signed	Specifies that the SSL PKCS file is to be self-signed.
admin	Specifies that the certificate and key are for the Central Manager admin service. This option can be used only on the Central Manager.
<i>filename</i>	The name of the PKCS12 file to be exported.
pem-cert-key	Export both the certificate and key in PEM format.
pem-cert-only	Export only the certificate in PEM format.
pem-key-only	Export only the key in PEM format.
pkcs12	Export both the certificate and key in PKCS12 format.
disk <i>pathname</i>	Export to a disk. Type the disk filename including the full path.
ftp <i>address</i>	Export to FTP. Type the FTP server's IP address or hostname.
sftp <i>address</i>	Export to secure FTP. Type the secure FTP server's IP address or hostname.
terminal	Export to a terminal. (Not available for crypto export pkcs12 .)
tftp <i>address</i>	Export to TFTP. Type the TFTP server's IP address or hostname.

Defaults No default behavior or values.

Command Modes EXEC

Device Modes application-accelerator

Examples The following example shows how to export a CA certificate file named mycert.ca to an FTP server:

```
WAE# crypto export ca-certificate mycert.ca ftp 1.2.3.4 dir1 mycert.ca
```

The following example shows how to export the certificate and private key from a PKCS12 file named myfile.p12 to a PEM file on the local1 directory on the hard drive:

```
WAE# crypto export pkcs12 myfile.p12 pkcs12 disk /local1/myfile.p12
```

Related Commands [crypto delete](#)

crypto generate
crypto import

crypto generate

To generate a self-signed certificate or a certificate signing request, use the **crypt generate** EXEC command.

```
crypto generate {csr rsa modulus {1024 | 1536 | 2048 | 512 | 768}}{disk pathname | ftp address | sftp address | terminal | tftp address} | self-signed-cert filename [exportable] rsa modulus {1024 | 1536 | 2048 | 512 | 768}}
```

Syntax Description

csr	Generate a certificate signing request (CSR).
rsa modulus	Specify the size of the RSA modulus to be used for the CSR.
1024 1536 2048 512 768	The size (number of bits) used for the RSA modulus.
disk <i>pathname</i>	Generate the file to a disk. Type the disk filename including the full path.
ftp <i>address</i>	Generate the file to FTP. Type the FTP server's IP address or hostname.
sftp <i>address</i>	Generate the file to secure FTP. Type the secure FTP server's IP address or hostname.
terminal	Generate the file to a terminal.
tftp <i>address</i>	Generate the file to TFTP. Type the TFTP server's IP address or hostname.
self-signed-cert <i>filename</i>	Generate a self-signed SSL encryption certificate. The filename of the self-signed certificate to be generated must have the .p12 file extension.
exportable	Allows the self-signed certificate to be exported.
rsa modulus	Specify the size of the RSA modulus to be used when generating the self-signed certificate.

Defaults

No default behavior or values.

Command Modes

EXEC

Device Modes

application-accelerator
central-manager

Examples

The following example shows how to create an exportable self-signed certificate. The certificate file is named myfile.p12 and is created using a 512-bit RSA modulus.

```
WAE# crypto generate self-signed-cert myfile.p12 exportable rsa modulus 512
Generating a 512 bit RSA private key
.....+++++
...+++++
-----
```

You are about to be asked to enter information that will be incorporated into your certificate request.
What you are about to enter is what is called a Distinguished Name or a DN.
There are quite a few fields but you can leave some blank

```
For some fields there will be a default value,  
If you enter '.', the field will be left blank.  
-----  
Country Name (2 letter code) [US]:US  
State or Province Name (full name) [California]:<cr> (Press Enter to accept the default.)  
Locality Name (eg, city) [San Jose]:San Jose  
Organization Name (eg, company) [Cisco Systems]:  
Organizational Unit Name (eg, section) [ADBU]:  
Common Name (eg, YOUR name) [www.cisco.com]:  
Email Address [tac@cisco.com]:  
  
WAE#
```

Related Commands[crypto delete](#)[crypto export](#)[crypto import](#)

crypto import

To import SSL certificates and key files, use the **crypto import** EXEC command.

```
crypto import {ca-certificate filename | pkcs12 { filename | admin } [exportable]} {pem-cert-key
| pkcs12}} {disk pathname | ftp address | sftp address | terminal | tftp address}
```

Syntax Description	
ca-certificate <i>filename</i>	Import a certificate authority certificate file. The name of the CA certificate file to be imported (PEM format) must have .ca extension.
pkcs12 <i>filename</i>	Specifies a certificate intended for the management or an accelerated service (PKCS12 format). A PKCS12 file contains both the private encryption key and the public key certificate. The name of the PKCS12 file to be imported must have a .p12 extension. Note: DSA-encoded certificates are not supported and will not be imported.
admin	Specifies that the certificate and key are for the Central Manager admin service. This option can be used only on the Central Manager.
exportable	Configures the imported certificate to be exportable.
pem-cert-key	Import both the certificate and key in PEM format. When you use pem-cert-key , you must specify the <i>pathname</i> and <i>filename</i> or the <i>address</i> and <i>filename</i> for both the certificate file and the key file for disk , ftp , sftp , and tftp .
pkcs12	Import both the certificate and key in PKCS12 format.
disk <i>pathname</i>	Import from a disk. Type the disk filename including the full path.
ftp <i>address</i>	Import from FTP. Type the FTP server's IP address or hostname.
sftp <i>address</i>	Import from secure FTP. Type the secure FTP server's IP address or hostname.
terminal	Import from a terminal.
tftp <i>address</i>	Import from TFTP. Type the TFTP server's IP address or hostname.

Defaults No default behavior or values.

Command Modes EXEC

Device Modes application-accelerator

Usage Guidelines The Central Manager admin service uses a self-signed certificate and key by default. You can use the **crypto import pkcs12 admin** command to import a custom certificate and key in PKCS12 or PEM format. If you delete the custom certificate and key, the self-signed certificate and key again become active.



Note DSA certificates and keys cannot be imported.

Examples

The following example shows how to import a CA certificate file named mycert.ca from a TFTP server:

```
WAE# crypto import ca-certificate mycert.ca tftp 00.00.00.00
```

Related Commands

[crypto delete](#)
[crypto export](#)
[crypto generate](#)

crypto pki

To initialize the PKI managed store, use the **crypto pki EXEC** command.

crypto pki managed-store initialize

Syntax Description

managed-store	Specifies managed store commands.
initialize	Initializes the PKI managed store.

Defaults

No default behavior or values.

Command Modes

EXEC

Device Modes

application-accelerator
central-manager

Examples

The following example shows how to initialize the PKI managed store:

```
WAE# crypto pki managed-store initialize
```

Related Commands

[crypto export](#)
[crypto generate](#)
[crypto import](#)

debug aaa accounting

To monitor and record AAA accounting debugging, use the **debug aaa accounting** EXEC command. To disable debugging, use the **undebug** form of this command.

debug aaa accounting

undebug aaa accounting

Syntax Description	aaa accounting	(Optional) Enables AAA accounting actions.
--------------------	----------------	--

Defaults	No default behavior or values.
----------	--------------------------------

Command Modes	EXEC
---------------	------

Device Modes	application-accelerator central-manager
--------------	--

Usage Guidelines	<p>Because the performance of the WAAS device degrades when you use the debug command, we recommend that you use this command only at the direction of Cisco TAC. For more information, see the “Obtaining Documentation and Submitting a Service Request” section on page xx.</p> <p>If the watchdog utility is not running, the message “WAAS is not running” appears.</p> <p>Use the show debugging command to display enabled debug options.</p> <p>The output associated with the debug command is written to either the syslog file in <code>/local1/syslog.txt</code> or the debug log associated with the module in the file <code>/local1/errorlog/module_name-errorlog.current</code>.</p> <p>The debug log file associated with a module will be rotated to a backup file when the current file reaches its maximum size. The backup files are named as follows: <code>name-errorlog.#</code>, where # is the backup file number.</p> <p>For any debug command, system logging must be enabled. The command to enable logging is the logging disk enable global configuration command, which is enabled by default.</p> <p>If a debug command module uses the syslog for debug output, then you must use the logging disk priority debug global configuration command (the default is logging disk priority notice).</p> <p>If a debug command module uses the debug log for output, then the output can be filtered based on the priority level configuration for the four different levels of debug log output, as follows:</p> <ul style="list-style-type: none"> • For filtering on critical debug messages only, use the logging disk priority critical global configuration command. • For filtering on critical and error level debug messages, use the logging disk priority error global configuration command. • For filtering on critical, error, and trace debug level debug messages, use the logging disk priority debug global configuration command.
------------------	---

- For seeing all debug log messages, which include critical, error, trace and detail messages, use the **logging disk priority detail** global configuration command.

Regardless of the priority level configuration, any syslog messages at the LOG_ERROR or higher priority will be automatically written to the debug log associated with a module.

We recommend that you use the **debug** and **undebug** commands only at the direction of Cisco Systems technical support personnel.

Examples

The following example shows how to enable AAA accounting debug monitoring:

```
WAE# debug aaa accounting
```

Related Commands

[show debugging](#)

debug aaa authorization

To monitor and record AAA authorization debugging, use the **debug aaa authorization** EXEC command. To disable debugging, use the **undebug** form of this command.

debug aaa authorization

undebug aaa authorization

Syntax Description	aaa authorization	(Optional) Enables AAA authorization actions.
--------------------	-------------------	---

Defaults	No default behavior or values.	
----------	--------------------------------	--

Command Modes	EXEC	
---------------	------	--

Device Modes	application-accelerator central-manager	
--------------	--	--

Usage Guidelines	<p>Because the performance of the WAAS device degrades when you use the debug command, we recommend that you use this command only at the direction of Cisco TAC. For more information, see the “Obtaining Documentation and Submitting a Service Request” section on page xx.</p> <p>If the watchdog utility is not running, the message “WAAS is not running” appears.</p> <p>Use the show debugging command to display enabled debug options.</p> <p>The output associated with the debug command is written to either the syslog file in <code>/local1/syslog.txt</code> or the debug log associated with the module in the file <code>/local1/errorlog/module_name-errorlog.current</code>.</p> <p>The debug log file associated with a module will be rotated to a backup file when the current file reaches its maximum size. The backup files are named as follows: <code>name-errorlog.#</code>, where # is the backup file number.</p> <p>For any debug command, system logging must be enabled. The command to enable logging is the logging disk enable global configuration command, which is enabled by default.</p> <p>If a debug command module uses the syslog for debug output, then you must use the logging disk priority debug global configuration command (the default is logging disk priority notice).</p> <p>If a debug command module uses the debug log for output, then the output can be filtered based on the priority level configuration for the four different levels of debug log output, as follows:</p> <ul style="list-style-type: none"> • For filtering on critical debug messages only, use the logging disk priority critical global configuration command. • For filtering on critical and error level debug messages, use the logging disk priority error global configuration command. • For filtering on critical, error, and trace debug level debug messages, use the logging disk priority debug global configuration command. 	
------------------	---	--

- For seeing all debug log messages, which include critical, error, trace and detail messages, use the **logging disk priority detail** global configuration command.

Regardless of the priority level configuration, any syslog messages at the LOG_ERROR or higher priority will be automatically written to the debug log associated with a module.

We recommend that you use the **debug** and **undebug** commands only at the direction of Cisco Systems technical support personnel.

Examples

The following example shows how to enable AAA authorization debug monitoring:

```
WAE# debug aaa authorization
```

Related Commands

[show debugging](#)

debug accelerator

To monitor and record accelerator debugging, use the **debug accelerator EXEC** command. To disable debugging, use the **undebug** form of this command.

debug accelerator cifs [shell | all]

undebug accelerator cifs [shell | all]

debug accelerator generic [connection | misc | shell | stats | all]

undebug accelerator generic [connection | misc | shell | stats | all]

debug accelerator http [bypass-list | cli | conditional-response | connection | dre-hints | metadata-cache | redirect-response | shell | suppress-server-encoding | transaction | unauthorized-response | all]

undebug accelerator http [bypass-list | cli | conditional-response | connection | dre-hints | metadata-cache | redirect-response | shell | suppress-server-encoding | transaction | unauthorized-response | all]

debug accelerator mapi [all | Common-flow | DCERPC-layer | EMSMDB-layer | IO | ROP-layer | ROP-parser | RCP-parser | shell | Transport | Utilities]

undebug accelerator mapi [all | Common-flow | DCERPC-layer | EMSMDB-layer | IO | ROP-layer | ROP-parser | RCP-parser | shell | Transport | Utilities]

debug accelerator nfs [async-write | attributes-cache | nfs-v3 | read-ahead | rpc | shell | utils | all]

undebug accelerator nfs [async-write | attributes-cache | nfs-v3 | read-ahead | rpc | shell | utils | all]

debug accelerator video [all | gateway | shell | windows-media
[client-ip *ip-addr* | server-ip *ip-addr*]]

undebug accelerator video [all | gateway | shell | windows-media
[client-ip *ip-addr* | server-ip *ip-addr*]]

Syntax Description

accelerator	Enables accelerator debugging.
cifs	(Optional) Enables CIFS accelerator debugging.
shell	Enables accelerator shell debugging.
all	Enables all accelerator debugging of a specified type.
generic	Enables generic accelerator debugging.
connection	Enables accelerator connection debugging.
misc	Enables generic accelerator miscellaneous debugging.
stats	Enables generic accelerator statistics debugging.

http	Enables HTTP accelerator debugging.
bypass-list	Enables HTTP accelerator bypass list debugging.
cli	Enables configuration CLI debugging.
conditional-response	Enables HTTP accelerator metadata cache conditional response debugging.
dre-hints	Enables HTTP accelerator DRE hinting debugging.
metadataacache	Enables HTTP accelerator metadata cache debugging.
redirect-response	Enables HTTP accelerator metadata cache redirect response debugging.
supress-server-encoding	Enables HTTP accelerator supress-server-encoding debugging.
transaction	Enables HTTP accelerator transaction debugging.
unauthorized-response	Enables HTTP accelerator metadata cache unauthorized response debugging.
mapi	Enables MAPI accelerator debugging.
Common-flow	Enables MAPI common flow debugging.
DCERPC-layer	Enables MAPI DCERPC layer flow debugging.
EMSMDB-layer	Enables MAPI EMSMDB layer flow debugging.
IO	Enables MAPI IO flow debugging.
ROP-layer	Enables MAPI ROP layer flow debugging.
ROP-parser	Enables MAPI ROP parser flow debugging.
RCP-parser	Enables MAPI RCP parser flow debugging.
shell	Enables MAPI shell flow debugging.
Transport	Enables MAPI transport flow debugging.
Utilities	Enables MAPI utilities flow debugging.
nfs	Enables NFS accelerator debugging.
async-write	Enables NFS asynchronous write optimization debugging.
attributes-cache	Enables NFS attributes cache debugging.
nfs-v3	Enables NFS version 3 layer debugging.
read-ahead	Enables NFS read ahead optimization debugging.
rpc	Enables NFS RPC layer debugging.
shell	Enables NFS shell debugging.
utils	Enables NFS utilities debugging.
video	Enables video accelerator debugging.
gateway	Enables debugging of the media independent gateway module of the video accelerator.
windows-media	Enables debugging of the Windows Media module of the video accelerator.
client-ip <i>ip-addr</i>	Specifies the client IP address.
server-ip <i>ip-addr</i>	Specifies the server IP address.

Defaults

No default behavior or values.

Command Modes EXEC

Device Modes application-accelerator
central-manager

Usage Guidelines The output associated with the **debug accelerator name module** command for an application accelerator is written to the file *name*ao-errorlog.current, where *name* is the accelerator name. The accelerator information manager debug output is written to the file aoim-errorlog.current.

Because the performance of the WAAS device degrades when you use the **debug** command, we recommend that you use this command only at the direction of Cisco TAC. For more information, see the [“Obtaining Documentation and Submitting a Service Request”](#) section on page xx.

If the watchdog utility is not running, the message “WAAS is not running” appears.

Use the **show debugging** command to display enabled **debug** options.

The output associated with the **debug** command is written to either the syslog file in /local1/syslog.txt or the debug log associated with the module in the file /local1/errorlog/module_name-errorlog.current.

The debug log file associated with a module will be rotated to a backup file when the current file reaches its maximum size. The backup files are named as follows: *name*-errorlog.#, where # is the backup file number.

For any **debug** command, system logging must be enabled. The command to enable logging is the **logging disk enable** global configuration command, which is enabled by default.

If a **debug** command module uses the syslog for debug output, then you must use the **logging disk priority debug** global configuration command (the default is **logging disk priority notice**).

If a **debug** command module uses the debug log for output, then the output can be filtered based on the priority level configuration for the four different levels of debug log output, as follows:

- For filtering on critical debug messages only, use the **logging disk priority critical** global configuration command.
- For filtering on critical and error level debug messages, use the **logging disk priority error** global configuration command.
- For filtering on critical, error, and trace debug level debug messages, use the **logging disk priority debug** global configuration command.
- For seeing all debug log messages, which include critical, error, trace and detail messages, use the **logging disk priority detail** global configuration command.

Regardless of the priority level configuration, any syslog messages at the LOG_ERROR or higher priority will be automatically written to the debug log associated with a module.

We recommend that you use the **debug** and **undebug** commands only at the direction of Cisco Systems technical support personnel.

Examples The following example shows how to enable all accelerator debug monitoring:

```
WAE# debug accelerator all
```

■ debug accelerator

Related Commands [show debugging](#)

debug all

To monitor and record all debugging, use the **debug all** EXEC command. To disable debugging, use the **undebug** form of this command.

debug all

undebug all

Syntax Description	all	Enables all debugging.
---------------------------	------------	------------------------

Defaults	No default behavior or values.
-----------------	--------------------------------

Command Modes	EXEC
----------------------	------

Device Modes	application-accelerator central-manager
---------------------	--

Usage Guidelines	<p>Because the performance of the WAAS device degrades when you use the debug command, we recommend that you use this command only at the direction of Cisco TAC. For more information, see the “Obtaining Documentation and Submitting a Service Request” section on page xx.</p> <p>If the watchdog utility is not running, the message “WAAS is not running” appears.</p> <p>Use the show debugging command to display enabled debug options.</p> <p>The output associated with the debug command is written to either the syslog file in /local1/syslog.txt or the debug log associated with the module in the file /local1/errorlog/module_name-errorlog.current.</p> <p>The debug log file associated with a module will be rotated to a backup file when the current file reaches its maximum size. The backup files are named as follows: <i>name-errorlog.#</i>, where # is the backup file number.</p> <p>For any debug command, system logging must be enabled. The command to enable logging is the logging disk enable global configuration command, which is enabled by default.</p> <p>If a debug command module uses the syslog for debug output, then you must use the logging disk priority debug global configuration command (the default is logging disk priority notice).</p> <p>If a debug command module uses the debug log for output, then the output can be filtered based on the priority level configuration for the four different levels of debug log output, as follows:</p> <ul style="list-style-type: none"> • For filtering on critical debug messages only, use the logging disk priority critical global configuration command. • For filtering on critical and error level debug messages, use the logging disk priority error global configuration command. • For filtering on critical, error, and trace debug level debug messages, use the logging disk priority debug global configuration command.
-------------------------	---

- For seeing all debug log messages, which include critical, error, trace and detail messages, use the **logging disk priority detail** global configuration command.

Regardless of the priority level configuration, any syslog messages at the LOG_ERROR or higher priority will be automatically written to the debug log associated with a module.

We recommend that you use the **debug** and **undebug** commands only at the direction of Cisco Systems technical support personnel.

Examples

The following example shows how to enable all debug monitoring:

```
WAE# debug all
```

Related Commands

[show debugging](#)

debug authentication

To monitor and record authentication debugging, use the **debug authentication** EXEC command. To disable debugging, use the **undebug** form of this command.

debug authentication { **content-request** | **user** | **windows-domain** }

undebug authentication { **content-request** | **user** | **windows-domain** }

Syntax Description		
authentication	(Optional)	Enables authentication debugging.
content-request		Enables content request authentication debugging.
user		Enables debugging of the user login against the system authentication.
windows-domain		Enables Windows domain authentication debugging.

Defaults No default behavior or values.

Command Modes EXEC

Device Modes application-accelerator
central-manager

Usage Guidelines Because the performance of the WAAS device degrades when you use the **debug** command, we recommend that you use this command only at the direction of Cisco TAC. For more information, see the [“Obtaining Documentation and Submitting a Service Request”](#) section on page xx.

If the watchdog utility is not running, the message “WAAS is not running” appears.

Use the **show debugging** command to display enabled **debug** options.

The output associated with the **debug** command is written to either the syslog file in /local1/syslog.txt or the debug log associated with the module in the file /local1/errorlog/module_name-errorlog.current.

The debug log file associated with a module will be rotated to a backup file when the current file reaches its maximum size. The backup files are named as follows: *name-errorlog.#*, where # is the backup file number.

For any **debug** command, system logging must be enabled. The command to enable logging is the **logging disk enable** global configuration command, which is enabled by default.

If a **debug** command module uses the syslog for debug output, then you must use the **logging disk priority debug** global configuration command (the default is **logging disk priority notice**).

If a **debug** command module uses the debug log for output, then the output can be filtered based on the priority level configuration for the four different levels of debug log output, as follows:

- For filtering on critical debug messages only, use the **logging disk priority critical** global configuration command.

- For filtering on critical and error level debug messages, use the **logging disk priority error** global configuration command.
- For filtering on critical, error, and trace debug level debug messages, use the **logging disk priority debug** global configuration command.
- For seeing all debug log messages, which include critical, error, trace and detail messages, use the **logging disk priority detail** global configuration command.

Regardless of the priority level configuration, any syslog messages at the LOG_ERROR or higher priority will be automatically written to the debug log associated with a module.

We recommend that you use the **debug** and **undebug** commands only at the direction of Cisco Systems technical support personnel.

Examples

The following example shows how to enable user authentication debug monitoring, verify that it is enabled, and then disable debug monitoring:

```
WAE# debug authentication user
WAE# show debugging
Debug authentication (user) is ON
WAE# no debug authentication user
```

Related Commands

[show debugging](#)

debug buf

To monitor and record buffer manager debugging, use the **debug buf** EXEC command. To disable debugging, use the **undebug** form of this command.

```
debug buf {all | dmbuf | dmsg}
```

```
undebug buf {all | dmbuf | dmsg}
```

Syntax Description	
buf	(Optional) Enables buffer manager debugging.
all	Enables all buffer manager debugging.
dmbuf	Enables only dmbuf debugging.
dmsg	Enables only dmsg debugging.

Defaults No default behavior or values.

Command Modes EXEC

Device Modes application-accelerator
central-manager

Usage Guidelines

Because the performance of the WAAS device degrades when you use the **debug** command, we recommend that you use this command only at the direction of Cisco TAC. For more information, see the [“Obtaining Documentation and Submitting a Service Request”](#) section on page xx.

If the watchdog utility is not running, the message “WAAS is not running” appears.

Use the **show debugging** command to display enabled **debug** options.

The output associated with the **debug** command is written to either the syslog file in /local1/syslog.txt or the debug log associated with the module in the file /local1/errorlog/module_name-errorlog.current.

The debug log file associated with a module will be rotated to a backup file when the current file reaches its maximum size. The backup files are named as follows: *name-errorlog.#*, where # is the backup file number.

For any **debug** command, system logging must be enabled. The command to enable logging is the **logging disk enable** global configuration command, which is enabled by default.

If a **debug** command module uses the syslog for debug output, then you must use the **logging disk priority debug** global configuration command (the default is **logging disk priority notice**).

If a **debug** command module uses the debug log for output, then the output can be filtered based on the priority level configuration for the four different levels of debug log output, as follows:

- For filtering on critical debug messages only, use the **logging disk priority critical** global configuration command.

- For filtering on critical and error level debug messages, use the **logging disk priority error** global configuration command.
- For filtering on critical, error, and trace debug level debug messages, use the **logging disk priority debug** global configuration command.
- For seeing all debug log messages, which include critical, error, trace and detail messages, use the **logging disk priority detail** global configuration command.

Regardless of the priority level configuration, any syslog messages at the LOG_ERROR or higher priority will be automatically written to the debug log associated with a module.

We recommend that you use the **debug** and **undebug** commands only at the direction of Cisco Systems technical support personnel.

Examples

The following example shows how to enable all buffer manager debug monitoring:

```
WAE# debug buff all
```

Related Commands

[show debugging](#)

debug cdp

To monitor and record CDP debugging, use the **debug cdp** EXEC command. To disable debugging, use the **undebug** form of this command.

```
debug cdp {adjacency | events | ip | packets}
```

```
undebug cdp {adjacency | events | ip | packets}
```

Syntax Description	
cdp	(Optional) Enables CDP debugging.
adjacency	Enables CDP neighbor information debugging.
events	Enables CDP events debugging.
ip	Enables CDP IP debugging.
packets	Enables packet-related CDP debugging.

Defaults No default behavior or values.

Command Modes EXEC

Device Modes application-accelerator
central-manager

Usage Guidelines Because the performance of the WAAS device degrades when you use the **debug** command, we recommend that you use this command only at the direction of Cisco TAC. For more information, see the [“Obtaining Documentation and Submitting a Service Request”](#) section on page xx.

If the watchdog utility is not running, the message “WAAS is not running” appears.

Use the **show debugging** command to display enabled **debug** options.

The output associated with the **debug** command is written to either the syslog file in /local1/syslog.txt or the debug log associated with the module in the file /local1/errorlog/module_name-errorlog.current.

The debug log file associated with a module will be rotated to a backup file when the current file reaches its maximum size. The backup files are named as follows: *name-errorlog.#*, where # is the backup file number.

For any **debug** command, system logging must be enabled. The command to enable logging is the **logging disk enable** global configuration command, which is enabled by default.

If a **debug** command module uses the syslog for debug output, then you must use the **logging disk priority debug** global configuration command (the default is **logging disk priority notice**).

If a **debug** command module uses the debug log for output, then the output can be filtered based on the priority level configuration for the four different levels of debug log output, as follows:

- For filtering on critical debug messages only, use the **logging disk priority critical** global configuration command.

- For filtering on critical and error level debug messages, use the **logging disk priority error** global configuration command.
- For filtering on critical, error, and trace debug level debug messages, use the **logging disk priority debug** global configuration command.
- For seeing all debug log messages, which include critical, error, trace and detail messages, use the **logging disk priority detail** global configuration command.

Regardless of the priority level configuration, any syslog messages at the LOG_ERROR or higher priority will be automatically written to the debug log associated with a module.

We recommend that you use the **debug** and **undebug** commands only at the direction of Cisco Systems technical support personnel.

Examples

The following example shows how to enable CDP events debug monitoring:

```
WAE# debug cdp events
```

Related Commands

[show debugging](#)

debug cli

To monitor and record CLI debugging, use the **debug cli** EXEC command. To disable debugging, use the **undebug** form of this command.

```
debug cli {all | bin | parser}
```

```
undebug cli {all | bin | parser}
```

Syntax Description

cli	(Optional) Enables CLI debugging.
all	Enables all CLI debugging.
bin	Enables CLI command binary program debugging.
parser	Enables CLI command parser debugging.

Defaults

No default behavior or values.

Command Modes

EXEC

Device Modes

application-accelerator
central-manager

Usage Guidelines

Because the performance of the WAAS device degrades when you use the **debug** command, we recommend that you use this command only at the direction of Cisco TAC. For more information, see the [“Obtaining Documentation and Submitting a Service Request”](#) section on page xx.

If the watchdog utility is not running, the message “WAAS is not running” appears.

Use the **show debugging** command to display enabled **debug** options.

The output associated with the **debug** command is written to either the syslog file in `/local1/syslog.txt` or the debug log associated with the module in the file `/local1/errorlog/module_name-errorlog.current`.

The debug log file associated with a module will be rotated to a backup file when the current file reaches its maximum size. The backup files are named as follows: `name-errorlog.#`, where # is the backup file number.

For any **debug** command, system logging must be enabled. The command to enable logging is the **logging disk enable** global configuration command, which is enabled by default.

If a **debug** command module uses the syslog for debug output, then you must use the **logging disk priority debug** global configuration command (the default is **logging disk priority notice**).

If a **debug** command module uses the debug log for output, then the output can be filtered based on the priority level configuration for the four different levels of debug log output, as follows:

- For filtering on critical debug messages only, use the **logging disk priority critical** global configuration command.

- For filtering on critical and error level debug messages, use the **logging disk priority error** global configuration command.
- For filtering on critical, error, and trace debug level debug messages, use the **logging disk priority debug** global configuration command.
- For seeing all debug log messages, which include critical, error, trace and detail messages, use the **logging disk priority detail** global configuration command.

Regardless of the priority level configuration, any syslog messages at the LOG_ERROR or higher priority will be automatically written to the debug log associated with a module.

We recommend that you use the **debug** and **undebug** commands only at the direction of Cisco Systems technical support personnel.

Examples

The following example shows how to enable all CLI debug monitoring:

```
WAE# debug cli all
```

Related Commands

[show debugging](#)

debug cms

To monitor and record CMS debugging, use the **debug cms** EXEC command. To disable debugging, use the **undebug** form of this command.

debug cms

undebug cms

Syntax Description	cms (Optional) Enables CMS debugging.
---------------------------	--

Defaults	No default behavior or values.
-----------------	--------------------------------

Command Modes	EXEC
----------------------	------

Device Modes	application-accelerator central-manager
---------------------	--

Usage Guidelines	<p>Because the performance of the WAAS device degrades when you use the debug command, we recommend that you use this command only at the direction of Cisco TAC. For more information, see the “Obtaining Documentation and Submitting a Service Request” section on page xx.</p> <p>If the watchdog utility is not running, the message “WAAS is not running” appears.</p> <p>Use the show debugging command to display enabled debug options.</p> <p>The output associated with the debug command is written to either the syslog file in <code>/local1/syslog.txt</code> or the debug log associated with the module in the file <code>/local1/errorlog/module_name-errorlog.current</code>.</p> <p>The debug log file associated with a module will be rotated to a backup file when the current file reaches its maximum size. The backup files are named as follows: <code>name-errorlog.#</code>, where # is the backup file number.</p> <p>For any debug command, system logging must be enabled. The command to enable logging is the logging disk enable global configuration command, which is enabled by default.</p> <p>If a debug command module uses the syslog for debug output, then you must use the logging disk priority debug global configuration command (the default is logging disk priority notice).</p> <p>If a debug command module uses the debug log for output, then the output can be filtered based on the priority level configuration for the four different levels of debug log output, as follows:</p> <ul style="list-style-type: none"> • For filtering on critical debug messages only, use the logging disk priority critical global configuration command. • For filtering on critical and error level debug messages, use the logging disk priority error global configuration command. • For filtering on critical, error, and trace debug level debug messages, use the logging disk priority debug global configuration command.
-------------------------	---

- For seeing all debug log messages, which include critical, error, trace and detail messages, use the **logging disk priority detail** global configuration command.

Regardless of the priority level configuration, any syslog messages at the LOG_ERROR or higher priority will be automatically written to the debug log associated with a module.

We recommend that you use the **debug** and **undebug** commands only at the direction of Cisco Systems technical support personnel.

Examples

The following example shows how to enable CMS debug monitoring:

```
WAE# debug cms
```

Related Commands

[show debugging](#)

debug dataserver

To monitor and record data server debugging, use the **debug dataserver** EXEC command. To disable debugging, use the **undebug** form of this command.

```
debug dataserver {all | clientlib | server}
```

```
undebug dataserver {all | clientlib | server}
```

Syntax Description	
dataserver	(Optional) Enables data server debugging.
all	Enables all data server debugging.
clientlib	Enables data server client library module debugging.
server	Enables data server module debugging.

Defaults No default behavior or values.

Command Modes EXEC

Device Modes application-accelerator
central-manager

Usage Guidelines

Because the performance of the WAAS device degrades when you use the **debug** command, we recommend that you use this command only at the direction of Cisco TAC. For more information, see the [“Obtaining Documentation and Submitting a Service Request”](#) section on page xx.

If the watchdog utility is not running, the message “WAAS is not running” appears.

Use the **show debugging** command to display enabled **debug** options.

The output associated with the **debug** command is written to either the syslog file in /local1/syslog.txt or the debug log associated with the module in the file /local1/errorlog/module_name-errorlog.current.

The debug log file associated with a module will be rotated to a backup file when the current file reaches its maximum size. The backup files are named as follows: *name-errorlog.#*, where # is the backup file number.

For any **debug** command, system logging must be enabled. The command to enable logging is the **logging disk enable** global configuration command, which is enabled by default.

If a **debug** command module uses the syslog for debug output, then you must use the **logging disk priority debug** global configuration command (the default is **logging disk priority notice**).

If a **debug** command module uses the debug log for output, then the output can be filtered based on the priority level configuration for the four different levels of debug log output, as follows:

- For filtering on critical debug messages only, use the **logging disk priority critical** global configuration command.

- For filtering on critical and error level debug messages, use the **logging disk priority error** global configuration command.
- For filtering on critical, error, and trace debug level debug messages, use the **logging disk priority debug** global configuration command.
- For seeing all debug log messages, which include critical, error, trace and detail messages, use the **logging disk priority detail** global configuration command.

Regardless of the priority level configuration, any syslog messages at the LOG_ERROR or higher priority will be automatically written to the debug log associated with a module.

We recommend that you use the **debug** and **undebug** commands only at the direction of Cisco Systems technical support personnel.

Examples

The following example shows how to enable all data server debug monitoring:

```
WAE# debug dataserver all
```

Related Commands

[show debugging](#)

debug dhcp

To monitor and record DHCP debugging, use the **debug dhcp** EXEC command. To disable debugging, use the **undebug** form of this command.

debug dhcp

undebug dhcp

Syntax Description	dhcp (Optional) Enables DHCP debugging.
---------------------------	--

Defaults	No default behavior or values.
-----------------	--------------------------------

Command Modes	EXEC
----------------------	------

Device Modes	application-accelerator central-manager
---------------------	--

Usage Guidelines	<p>Because the performance of the WAAS device degrades when you use the debug command, we recommend that you use this command only at the direction of Cisco TAC. For more information, see the “Obtaining Documentation and Submitting a Service Request” section on page xx.</p> <p>If the watchdog utility is not running, the message “WAAS is not running” appears.</p> <p>Use the show debugging command to display enabled debug options.</p> <p>The output associated with the debug command is written to either the syslog file in /local1/syslog.txt or the debug log associated with the module in the file /local1/errorlog/module_name-errorlog.current.</p> <p>The debug log file associated with a module will be rotated to a backup file when the current file reaches its maximum size. The backup files are named as follows: <i>name-errorlog.#</i>, where # is the backup file number.</p> <p>For any debug command, system logging must be enabled. The command to enable logging is the logging disk enable global configuration command, which is enabled by default.</p> <p>If a debug command module uses the syslog for debug output, then you must use the logging disk priority debug global configuration command (the default is logging disk priority notice).</p> <p>If a debug command module uses the debug log for output, then the output can be filtered based on the priority level configuration for the four different levels of debug log output, as follows:</p> <ul style="list-style-type: none"> • For filtering on critical debug messages only, use the logging disk priority critical global configuration command. • For filtering on critical and error level debug messages, use the logging disk priority error global configuration command. • For filtering on critical, error, and trace debug level debug messages, use the logging disk priority debug global configuration command.
-------------------------	---

- For seeing all debug log messages, which include critical, error, trace and detail messages, use the **logging disk priority detail** global configuration command.

Regardless of the priority level configuration, any syslog messages at the LOG_ERROR or higher priority will be automatically written to the debug log associated with a module.

We recommend that you use the **debug** and **undebug** commands only at the direction of Cisco Systems technical support personnel.

Examples

The following example shows how to enable DHCP debug monitoring:

```
WAE# debug dhcp
```

Related Commands

[show debugging](#)

debug dre

To monitor and record DRE debugging, use the **debug dre** EXEC command. To disable debugging, use the **undebug** form of this command.

```
debug dre { aggregation | all | cache | connection { aggregation [acl] | cache [acl] | core [acl] | message [acl] | misc [acl] | acl } | core | lz | message | misc }
```

```
undebug dre { aggregation | all | cache | connection { aggregation [acl] | cache [acl] | core [acl] | message [acl] | misc [acl] | acl } | core | lz | message | misc }
```

Syntax Description	
dre	(Optional) Enables DRE debugging.
aggregation	Enables DRE chunk-aggregation debugging.
all	Enables the debugging of all DRE commands.
cache	Enables DRE cache debugging.
connection	Enables DRE connection debugging.
<i>acl</i>	ACL to limit connections traced.
message	Enables DRE message debugging for a specified connection.
misc	Enables DRE other debugging for a specified connection.
core	Enables DRE core debugging.
lz	Enables DRE lz debugging.

Defaults No default behavior or values.

Command Modes EXEC

Device Modes application-accelerator

Usage Guidelines Because the performance of the WAAS device degrades when you use the **debug** command, we recommend that you use this command only at the direction of Cisco TAC. For more information, see the [“Obtaining Documentation and Submitting a Service Request”](#) section on page xx.

If the watchdog utility is not running, the message “WAAS is not running” appears.

Use the **show debugging** command to display enabled **debug** options.

The output associated with the **debug** command is written to either the syslog file in `/local1/syslog.txt` or the debug log associated with the module in the file `/local1/errorlog/module_name-errorlog.current`.

The debug log file associated with a module will be rotated to a backup file when the current file reaches its maximum size. The backup files are named as follows: `name-errorlog.#`, where # is the backup file number.

For any **debug** command, system logging must be enabled. The command to enable logging is the **logging disk enable** global configuration command, which is enabled by default.

If a **debug** command module uses the syslog for debug output, then you must use the **logging disk priority debug** global configuration command (the default is **logging disk priority notice**).

If a **debug** command module uses the debug log for output, then the output can be filtered based on the priority level configuration for the four different levels of debug log output, as follows:

- For filtering on critical debug messages only, use the **logging disk priority critical** global configuration command.
- For filtering on critical and error level debug messages, use the **logging disk priority error** global configuration command.
- For filtering on critical, error, and trace debug level debug messages, use the **logging disk priority debug** global configuration command.
- For seeing all debug log messages, which include critical, error, trace and detail messages, use the **logging disk priority detail** global configuration command.

Regardless of the priority level configuration, any syslog messages at the LOG_ERROR or higher priority will be automatically written to the debug log associated with a module.

We recommend that you use the **debug** and **undebug** commands only at the direction of Cisco Systems technical support personnel.

Examples

The following example shows how to enable all DRE debug monitoring:

```
WAE# debug dre all
```

Related Commands

[show debugging](#)

debug egress-method

To monitor and record egress method debugging, use the **debug egress-method EXEC** command. To disable debugging, use the **undebug** form of this command.

debug egress-method connection

undebug egress-method connection

Syntax Description	egress-method connection (Optional) Enables egress method connection debugging.
---------------------------	--

Defaults	No default behavior or values.
-----------------	--------------------------------

Command Modes	EXEC
----------------------	------

Device Modes	application-accelerator
---------------------	-------------------------

Usage Guidelines	<p>Because the performance of the WAAS device degrades when you use the debug command, we recommend that you use this command only at the direction of Cisco TAC. For more information, see the “Obtaining Documentation and Submitting a Service Request” section on page xx.</p> <p>If the watchdog utility is not running, the message “WAAS is not running” appears.</p> <p>Use the show debugging command to display enabled debug options.</p> <p>The output associated with the debug command is written to either the syslog file in /local1/syslog.txt or the debug log associated with the module in the file /local1/errorlog/module_name-errorlog.current.</p> <p>The debug log file associated with a module will be rotated to a backup file when the current file reaches its maximum size. The backup files are named as follows: <i>name-errorlog.#</i>, where # is the backup file number.</p> <p>For any debug command, system logging must be enabled. The command to enable logging is the logging disk enable global configuration command, which is enabled by default.</p> <p>If a debug command module uses the syslog for debug output, then you must use the logging disk priority debug global configuration command (the default is logging disk priority notice).</p> <p>If a debug command module uses the debug log for output, then the output can be filtered based on the priority level configuration for the four different levels of debug log output, as follows:</p> <ul style="list-style-type: none"> • For filtering on critical debug messages only, use the logging disk priority critical global configuration command. • For filtering on critical and error level debug messages, use the logging disk priority error global configuration command. • For filtering on critical, error, and trace debug level debug messages, use the logging disk priority debug global configuration command.
-------------------------	---

- For seeing all debug log messages, which include critical, error, trace and detail messages, use the **logging disk priority detail** global configuration command.

Regardless of the priority level configuration, any syslog messages at the LOG_ERROR or higher priority will be automatically written to the debug log associated with a module.

We recommend that you use the **debug** and **undebug** commands only at the direction of Cisco Systems technical support personnel.

Examples

The following example shows how to enable all egress method debug monitoring:

```
WAE# debug egress-method connection
```

Related Commands

[show debugging](#)

debug emdb

To monitor and record embedded database debugging, use the **debug emdb** EXEC command. To disable debugging, use the **undebug** form of this command.

```
debug emdb [level [levelnum]]
```

```
undebug emdb [level [levelnum]]
```

Syntax Description		
emdb	(Optional)	Enables embedded database debugging.
level	(Optional)	Enables the specified debug level for EMDB service.
<i>levelnum</i>	(Optional)	Debug level to disable. Level 0 disables debugging.

Defaults No default behavior or values.

Command Modes EXEC

Device Modes central-manager

Usage Guidelines Because the performance of the WAAS device degrades when you use the **debug** command, we recommend that you use this command only at the direction of Cisco TAC. For more information, see the [“Obtaining Documentation and Submitting a Service Request”](#) section on page xx.

If the watchdog utility is not running, the message “WAAS is not running” appears.

Use the **show debugging** command to display enabled **debug** options.

The output associated with the **debug** command is written to either the syslog file in /local1/syslog.txt or the debug log associated with the module in the file /local1/errorlog/module_name-errorlog.current.

The debug log file associated with a module will be rotated to a backup file when the current file reaches its maximum size. The backup files are named as follows: *name-errorlog.#*, where # is the backup file number.

For any **debug** command, system logging must be enabled. The command to enable logging is the **logging disk enable** global configuration command, which is enabled by default.

If a **debug** command module uses the syslog for debug output, then you must use the **logging disk priority debug** global configuration command (the default is **logging disk priority notice**).

If a **debug** command module uses the debug log for output, then the output can be filtered based on the priority level configuration for the four different levels of debug log output, as follows:

- For filtering on critical debug messages only, use the **logging disk priority critical** global configuration command.
- For filtering on critical and error level debug messages, use the **logging disk priority error** global configuration command.

- For filtering on critical, error, and trace debug level debug messages, use the **logging disk priority debug** global configuration command.
- For seeing all debug log messages, which include critical, error, trace and detail messages, use the **logging disk priority detail** global configuration command.

Regardless of the priority level configuration, any syslog messages at the LOG_ERROR or higher priority will be automatically written to the debug log associated with a module.

We recommend that you use the **debug** and **undebug** commands only at the direction of Cisco Systems technical support personnel.

Examples

The following example shows how to enable all embedded database debug monitoring:

```
WAE# debug emdb all
```

Related Commands

[show debugging](#)

debug epm

To monitor and record DCE-RPC EPM debugging, use the **debug epm** EXEC command. To disable debugging, use the **undebug** form of this command.

debug epm

undebug epm

Syntax Description	epm (Optional) Enables DCE-RPC EPM debugging.
---------------------------	--

Defaults	No default behavior or values.
-----------------	--------------------------------

Command Modes	EXEC
----------------------	------

Device Modes	application-accelerator
---------------------	-------------------------

Usage Guidelines	<p>Because the performance of the WAAS device degrades when you use the debug command, we recommend that you use this command only at the direction of Cisco TAC. For more information, see the “Obtaining Documentation and Submitting a Service Request” section on page xx.</p>
-------------------------	---

If the watchdog utility is not running, the message “WAAS is not running” appears.

Use the **show debugging** command to display enabled **debug** options.

The output associated with the **debug** command is written to either the syslog file in /local1/syslog.txt or the debug log associated with the module in the file /local1/errorlog/module_name-errorlog.current.

The debug log file associated with a module will be rotated to a backup file when the current file reaches its maximum size. The backup files are named as follows: *name-errorlog.#*, where # is the backup file number.

For any **debug** command, system logging must be enabled. The command to enable logging is the **logging disk enable** global configuration command, which is enabled by default.

If a **debug** command module uses the syslog for debug output, then you must use the **logging disk priority debug** global configuration command (the default is **logging disk priority notice**).

If a **debug** command module uses the debug log for output, then the output can be filtered based on the priority level configuration for the four different levels of debug log output, as follows:

- For filtering on critical debug messages only, use the **logging disk priority critical** global configuration command.
- For filtering on critical and error level debug messages, use the **logging disk priority error** global configuration command.
- For filtering on critical, error, and trace debug level debug messages, use the **logging disk priority debug** global configuration command.

- For seeing all debug log messages, which include critical, error, trace and detail messages, use the **logging disk priority detail** global configuration command.

Regardless of the priority level configuration, any syslog messages at the LOG_ERROR or higher priority will be automatically written to the debug log associated with a module.

We recommend that you use the **debug** and **undebug** commands only at the direction of Cisco Systems technical support personnel.

Examples

The following example shows how to enable EPM debug monitoring:

```
WAE# debug epm
```

Related Commands

[show debugging](#)

debug flow

To monitor and record network traffic flow debugging, use the **debug flow EXEC** command. To disable debugging, use the **undebug** form of this command.

debug flow monitor tcpstat-v1

undebug flow monitor tcpstat-v1

Syntax Description	flow	(Optional) Enables network traffic flow debugging.
	monitor	Enables monitor flow performance debugging commands.
	tcpstat-v1	Enables tcpstat-v1 debugging.

Defaults No default behavior or values.

Command Modes EXEC

Device Modes application-accelerator

Usage Guidelines Because the performance of the WAAS device degrades when you use the **debug** command, we recommend that you use this command only at the direction of Cisco TAC. For more information, see the [“Obtaining Documentation and Submitting a Service Request”](#) section on page xx.

If the watchdog utility is not running, the message “WAAS is not running” appears.

Use the **show debugging** command to display enabled **debug** options.

The output associated with the **debug** command is written to either the syslog file in /local1/syslog.txt or the debug log associated with the module in the file /local1/errorlog/module_name-errorlog.current.

The debug log file associated with a module will be rotated to a backup file when the current file reaches its maximum size. The backup files are named as follows: *name-errorlog.#*, where # is the backup file number.

For any **debug** command, system logging must be enabled. The command to enable logging is the **logging disk enable** global configuration command, which is enabled by default.

If a **debug** command module uses the syslog for debug output, then you must use the **logging disk priority debug** global configuration command (the default is **logging disk priority notice**).

If a **debug** command module uses the debug log for output, then the output can be filtered based on the priority level configuration for the four different levels of debug log output, as follows:

- For filtering on critical debug messages only, use the **logging disk priority critical** global configuration command.
- For filtering on critical and error level debug messages, use the **logging disk priority error** global configuration command.

- For filtering on critical, error, and trace debug level debug messages, use the **logging disk priority debug** global configuration command.
- For seeing all debug log messages, which include critical, error, trace and detail messages, use the **logging disk priority detail** global configuration command.

Regardless of the priority level configuration, any syslog messages at the LOG_ERROR or higher priority will be automatically written to the debug log associated with a module.

We recommend that you use the **debug** and **undebug** commands only at the direction of Cisco Systems technical support personnel.

Examples

The following example shows how to enable network traffic flow debug monitoring:

```
WAE# debug flow monitor tcpstat-v1
```

Related Commands

[show debugging](#)

debug generic-gre

To monitor and record generic GRE egress method debugging, use the **debug generic-gre EXEC** command. To disable debugging, use the **undebug** form of this command.

debug generic-gre

undebug generic-gre

Syntax Description	generic-gre (Optional) Enables generic GRE egress method debugging.
---------------------------	--

Defaults	No default behavior or values.
-----------------	--------------------------------

Command Modes	EXEC
----------------------	------

Device Modes	application-accelerator central-manager
---------------------	--

Usage Guidelines	<p>Because the performance of the WAAS device degrades when you use the debug command, we recommend that you use this command only at the direction of Cisco TAC. For more information, see the “Obtaining Documentation and Submitting a Service Request” section on page xx.</p> <p>If the watchdog utility is not running, the message “WAAS is not running” appears.</p> <p>Use the show debugging command to display enabled debug options.</p> <p>The output associated with the debug command is written to either the syslog file in /local1/syslog.txt or the debug log associated with the module in the file /local1/errorlog/module_name-errorlog.current.</p> <p>The debug log file associated with a module will be rotated to a backup file when the current file reaches its maximum size. The backup files are named as follows: <i>name-errorlog.#</i>, where # is the backup file number.</p> <p>For any debug command, system logging must be enabled. The command to enable logging is the logging disk enable global configuration command, which is enabled by default.</p> <p>If a debug command module uses the syslog for debug output, then you must use the logging disk priority debug global configuration command (the default is logging disk priority notice).</p> <p>If a debug command module uses the debug log for output, then the output can be filtered based on the priority level configuration for the four different levels of debug log output, as follows:</p> <ul style="list-style-type: none"> • For filtering on critical debug messages only, use the logging disk priority critical global configuration command. • For filtering on critical and error level debug messages, use the logging disk priority error global configuration command. • For filtering on critical, error, and trace debug level debug messages, use the logging disk priority debug global configuration command.
-------------------------	---

- For seeing all debug log messages, which include critical, error, trace and detail messages, use the **logging disk priority detail** global configuration command.

Regardless of the priority level configuration, any syslog messages at the LOG_ERROR or higher priority will be automatically written to the debug log associated with a module.

We recommend that you use the **debug** and **undebug** commands only at the direction of Cisco Systems technical support personnel.

Examples

The following example shows how to enable generic GRE egress method debug monitoring:

```
WAE# debug generic-gre
```

Related Commands

[show debugging](#)

debug key-manager

To monitor and record Central Manager key manager debugging, use the **debug key-manager EXEC** command. To disable debugging, use the **undebug** form of this command.

debug key-manager

undebug key-manager

Syntax Description	key-manager (Optional) Enables the Central Manager key manager debugging.
---------------------------	--

Defaults	No default behavior or values.
-----------------	--------------------------------

Command Modes	EXEC
----------------------	------

Device Modes	application-accelerator central-manager
---------------------	--

Usage Guidelines	<p>Because the performance of the WAAS device degrades when you use the debug command, we recommend that you use this command only at the direction of Cisco TAC. For more information, see the “Obtaining Documentation and Submitting a Service Request” section on page xx.</p> <p>If the watchdog utility is not running, the message “WAAS is not running” appears.</p> <p>Use the show debugging command to display enabled debug options.</p> <p>The output associated with the debug command is written to either the syslog file in /local1/syslog.txt or the debug log associated with the module in the file /local1/errorlog/module_name-errorlog.current.</p> <p>The debug log file associated with a module will be rotated to a backup file when the current file reaches its maximum size. The backup files are named as follows: <i>name-errorlog.#</i>, where # is the backup file number.</p> <p>For any debug command, system logging must be enabled. The command to enable logging is the logging disk enable global configuration command, which is enabled by default.</p> <p>If a debug command module uses the syslog for debug output, then you must use the logging disk priority debug global configuration command (the default is logging disk priority notice).</p> <p>If a debug command module uses the debug log for output, then the output can be filtered based on the priority level configuration for the four different levels of debug log output, as follows:</p> <ul style="list-style-type: none"> • For filtering on critical debug messages only, use the logging disk priority critical global configuration command. • For filtering on critical and error level debug messages, use the logging disk priority error global configuration command. • For filtering on critical, error, and trace debug level debug messages, use the logging disk priority debug global configuration command.
-------------------------	---

- For seeing all debug log messages, which include critical, error, trace and detail messages, use the **logging disk priority detail** global configuration command.

Regardless of the priority level configuration, any syslog messages at the LOG_ERROR or higher priority will be automatically written to the debug log associated with a module.

We recommend that you use the **debug** and **undebug** commands only at the direction of Cisco Systems technical support personnel.

Examples

The following example shows how to enable Central Manager key manager debug monitoring:

```
WAE# debug key-manager
```

Related Commands

[show debugging](#)

debug logging

To monitor and record logging debugging, use the **debug logging** EXEC command. To disable debugging, use the **undebug** form of this command.

debug logging all

undebug logging all

Syntax Description	
logging	(Optional) Enables logging debugging.
all	Enables all logging debugging.

Defaults No default behavior or values.

Command Modes EXEC

Device Modes application-accelerator
central-manager

Usage Guidelines Because the performance of the WAAS device degrades when you use the **debug** command, we recommend that you use this command only at the direction of Cisco TAC. For more information, see the [“Obtaining Documentation and Submitting a Service Request”](#) section on page xx.

If the watchdog utility is not running, the message “WAAS is not running” appears.

Use the **show debugging** command to display enabled **debug** options.

The output associated with the **debug** command is written to either the syslog file in /local1/syslog.txt or the debug log associated with the module in the file /local1/errorlog/module_name-errorlog.current.

The debug log file associated with a module will be rotated to a backup file when the current file reaches its maximum size. The backup files are named as follows: *name-errorlog.#*, where # is the backup file number.

For any **debug** command, system logging must be enabled. The command to enable logging is the **logging disk enable** global configuration command, which is enabled by default.

If a **debug** command module uses the syslog for debug output, then you must use the **logging disk priority debug** global configuration command (the default is **logging disk priority notice**).

If a **debug** command module uses the debug log for output, then the output can be filtered based on the priority level configuration for the four different levels of debug log output, as follows:

- For filtering on critical debug messages only, use the **logging disk priority critical** global configuration command.
- For filtering on critical and error level debug messages, use the **logging disk priority error** global configuration command.

- For filtering on critical, error, and trace debug level debug messages, use the **logging disk priority debug** global configuration command.
- For seeing all debug log messages, which include critical, error, trace and detail messages, use the **logging disk priority detail** global configuration command.

Regardless of the priority level configuration, any syslog messages at the LOG_ERROR or higher priority will be automatically written to the debug log associated with a module.

We recommend that you use the **debug** and **undebug** commands only at the direction of Cisco Systems technical support personnel.

Examples

The following example shows how to enable all logging debug monitoring:

```
WAE# debug logging all
```

Related Commands

[show debugging](#)

debug ntp

To monitor and record NTP debugging, use the **debug ntp** EXEC command. To disable debugging, use the **undebug** form of this command.

debug ntp

undebug ntp

Syntax Description	ntp	(Optional) Enables NTP debugging.
--------------------	-----	-----------------------------------

Defaults	No default behavior or values.
----------	--------------------------------

Command Modes	EXEC
---------------	------

Device Modes	application-accelerator central-manager
--------------	--

Usage Guidelines	<p>Because the performance of the WAAS device degrades when you use the debug command, we recommend that you use this command only at the direction of Cisco TAC. For more information, see the “Obtaining Documentation and Submitting a Service Request” section on page xx.</p> <p>If the watchdog utility is not running, the message “WAAS is not running” appears.</p> <p>Use the show debugging command to display enabled debug options.</p> <p>The output associated with the debug command is written to either the syslog file in /local1/syslog.txt or the debug log associated with the module in the file /local1/errorlog/module_name-errorlog.current.</p> <p>The debug log file associated with a module will be rotated to a backup file when the current file reaches its maximum size. The backup files are named as follows: <i>name-errorlog.#</i>, where # is the backup file number.</p> <p>For any debug command, system logging must be enabled. The command to enable logging is the logging disk enable global configuration command, which is enabled by default.</p> <p>If a debug command module uses the syslog for debug output, then you must use the logging disk priority debug global configuration command (the default is logging disk priority notice).</p> <p>If a debug command module uses the debug log for output, then the output can be filtered based on the priority level configuration for the four different levels of debug log output, as follows:</p> <ul style="list-style-type: none"> • For filtering on critical debug messages only, use the logging disk priority critical global configuration command. • For filtering on critical and error level debug messages, use the logging disk priority error global configuration command. • For filtering on critical, error, and trace debug level debug messages, use the logging disk priority debug global configuration command.
------------------	---

- For seeing all debug log messages, which include critical, error, trace and detail messages, use the **logging disk priority detail** global configuration command.

Regardless of the priority level configuration, any syslog messages at the LOG_ERROR or higher priority will be automatically written to the debug log associated with a module.

We recommend that you use the **debug** and **undebug** commands only at the direction of Cisco Systems technical support personnel.

Examples

The following example shows how to enable NTP debug monitoring:

```
WAE# debug ntp
```

Related Commands

[show debugging](#)

debug print-spooler

To monitor and record print spooler debugging, use the **debug print-spooler** EXEC command. To disable debugging, use the **undebug** form of this command.

debug print-spooler {all | brief | errors | warnings}

undebug print-spooler {all | brief | errors | warnings}

Syntax Description		
	print-spooler	(Optional) Enables print spooler debugging.
	all	Enables print spooler debugging using all debug features.
	brief	Enables print spooler debugging using only brief debug messages.
	errors	Enables print spooler debugging using only the error conditions.
	warnings	Enables print spooler debugging using only the warning conditions.

Defaults No default behavior or values.

Command Modes EXEC

Device Modes application-accelerator

Usage Guidelines Because the performance of the WAAS device degrades when you use the **debug** command, we recommend that you use this command only at the direction of Cisco TAC. For more information, see the [“Obtaining Documentation and Submitting a Service Request”](#) section on page xx.

If the watchdog utility is not running, the message “WAAS is not running” appears.

Use the **show debugging** command to display enabled **debug** options.

The output associated with the **debug** command is written to either the syslog file in /local1/syslog.txt or the debug log associated with the module in the file /local1/errorlog/module_name-errorlog.current.

The debug log file associated with a module will be rotated to a backup file when the current file reaches its maximum size. The backup files are named as follows: *name-errorlog.#*, where # is the backup file number.

For any **debug** command, system logging must be enabled. The command to enable logging is the **logging disk enable** global configuration command, which is enabled by default.

If a **debug** command module uses the syslog for debug output, then you must use the **logging disk priority debug** global configuration command (the default is **logging disk priority notice**).

If a **debug** command module uses the debug log for output, then the output can be filtered based on the priority level configuration for the four different levels of debug log output, as follows:

- For filtering on critical debug messages only, use the **logging disk priority critical** global configuration command.

- For filtering on critical and error level debug messages, use the **logging disk priority error** global configuration command.
- For filtering on critical, error, and trace debug level debug messages, use the **logging disk priority debug** global configuration command.
- For seeing all debug log messages, which include critical, error, trace and detail messages, use the **logging disk priority detail** global configuration command.

Regardless of the priority level configuration, any syslog messages at the LOG_ERROR or higher priority will be automatically written to the debug log associated with a module.

We recommend that you use the **debug** and **undebug** commands only at the direction of Cisco Systems technical support personnel.

Examples

The following example shows how to enable all print spooler debug monitoring:

```
WAE# debug print-spooler all
```

Related Commands

[show debugging](#)

debug rbc

To monitor and record RBCP debugging, use the **debug rbc** EXEC command. To disable debugging, use the **undebug** form of this command.

debug rbc

undebug rbc

Syntax Description	rbc (Optional) Enables RBCP debugging.
---------------------------	---

Defaults	No default behavior or values.
-----------------	--------------------------------

Command Modes	EXEC
----------------------	------

Device Modes	application-accelerator
---------------------	-------------------------

Usage Guidelines	<p>Because the performance of the WAAS device degrades when you use the debug command, we recommend that you use this command only at the direction of Cisco TAC. For more information, see the “Obtaining Documentation and Submitting a Service Request” section on page xx.</p> <p>If the watchdog utility is not running, the message “WAAS is not running” appears.</p> <p>Use the show debugging command to display enabled debug options.</p> <p>The output associated with the debug command is written to either the syslog file in /local1/syslog.txt or the debug log associated with the module in the file /local1/errorlog/module_name-errorlog.current.</p> <p>The debug log file associated with a module will be rotated to a backup file when the current file reaches its maximum size. The backup files are named as follows: <i>name-errorlog.#</i>, where # is the backup file number.</p> <p>For any debug command, system logging must be enabled. The command to enable logging is the logging disk enable global configuration command, which is enabled by default.</p> <p>If a debug command module uses the syslog for debug output, then you must use the logging disk priority debug global configuration command (the default is logging disk priority notice).</p> <p>If a debug command module uses the debug log for output, then the output can be filtered based on the priority level configuration for the four different levels of debug log output, as follows:</p> <ul style="list-style-type: none"> • For filtering on critical debug messages only, use the logging disk priority critical global configuration command. • For filtering on critical and error level debug messages, use the logging disk priority error global configuration command. • For filtering on critical, error, and trace debug level debug messages, use the logging disk priority debug global configuration command.
-------------------------	---

- For seeing all debug log messages, which include critical, error, trace and detail messages, use the **logging disk priority detail** global configuration command.

Regardless of the priority level configuration, any syslog messages at the LOG_ERROR or higher priority will be automatically written to the debug log associated with a module.

We recommend that you use the **debug** and **undebug** commands only at the direction of Cisco Systems technical support personnel.

Examples

The following example shows how to enable RBCP debug monitoring:

```
WAE# debug rbc
```

Related Commands

[show debugging](#)

debug rpc

To monitor and record remote procedure calls (RPC) debugging, use the **debug rpc** EXEC command. To disable debugging, use the **undebug** form of this command.

debug rpc

undebug rpc {detail | trace}

Syntax Description	rpc (Optional) Enables the remote procedure calls (RPC) debugging.
---------------------------	---

Defaults	No default behavior or values.
-----------------	--------------------------------

Command Modes	EXEC
----------------------	------

Device Modes	central-manager
---------------------	-----------------

Usage Guidelines	<p>Because the performance of the WAAS device degrades when you use the debug command, we recommend that you use this command only at the direction of Cisco TAC. For more information, see the “Obtaining Documentation and Submitting a Service Request” section on page xx.</p> <p>If the watchdog utility is not running, the message “WAAS is not running” appears.</p> <p>Use the show debugging command to display enabled debug options.</p> <p>The output associated with the debug command is written to either the syslog file in /local1/syslog.txt or the debug log associated with the module in the file /local1/errorlog/module_name-errorlog.current.</p> <p>The debug log file associated with a module will be rotated to a backup file when the current file reaches its maximum size. The backup files are named as follows: <i>name-errorlog.#</i>, where # is the backup file number.</p> <p>For any debug command, system logging must be enabled. The command to enable logging is the logging disk enable global configuration command, which is enabled by default.</p> <p>If a debug command module uses the syslog for debug output, then you must use the logging disk priority debug global configuration command (the default is logging disk priority notice).</p> <p>If a debug command module uses the debug log for output, then the output can be filtered based on the priority level configuration for the four different levels of debug log output, as follows:</p> <ul style="list-style-type: none"> • For filtering on critical debug messages only, use the logging disk priority critical global configuration command. • For filtering on critical and error level debug messages, use the logging disk priority error global configuration command. • For filtering on critical, error, and trace debug level debug messages, use the logging disk priority debug global configuration command.
-------------------------	---

- For seeing all debug log messages, which include critical, error, trace and detail messages, use the **logging disk priority detail** global configuration command.

Regardless of the priority level configuration, any syslog messages at the LOG_ERROR or higher priority will be automatically written to the debug log associated with a module.

We recommend that you use the **debug** and **undebug** commands only at the direction of Cisco Systems technical support personnel.

Examples

The following example shows how to enable RPC detail debug monitoring:

```
WAE# debug rpd detail
```

Related Commands

[show debugging](#)

debug snmp

To monitor and record SNMP debugging, use the **debug snmp** EXEC command. To disable debugging, use the **undebug** form of this command.

```
debug snmp {all | cli | main | mib | traps}
```

```
undebug snmp {all | cli | main | mib | traps}
```

Syntax Description

snmp	(Optional) Enables SNMP debugging.
all	Enables all SNMP debug commands.
cli	Enables SNMP CLI debugging.
main	Enables SNMP main debugging.
mib	Enables SNMP MIB debugging.
traps	Enables SNMP trap debugging.

Defaults

No default behavior or values.

Command Modes

EXEC

Device Modes

application-accelerator
central-manager

Usage Guidelines

Because the performance of the WAAS device degrades when you use the **debug** command, we recommend that you use this command only at the direction of Cisco TAC. For more information, see the [“Obtaining Documentation and Submitting a Service Request”](#) section on page xx.

If the watchdog utility is not running, the message “WAAS is not running” appears.

Use the **show debugging** command to display enabled **debug** options.

The output associated with the **debug** command is written to either the syslog file in `/local1/syslog.txt` or the debug log associated with the module in the file `/local1/errorlog/module_name-errorlog.current`.

The debug log file associated with a module will be rotated to a backup file when the current file reaches its maximum size. The backup files are named as follows: `name-errorlog.#`, where # is the backup file number.

For any **debug** command, system logging must be enabled. The command to enable logging is the **logging disk enable** global configuration command, which is enabled by default.

If a **debug** command module uses the syslog for debug output, then you must use the **logging disk priority debug** global configuration command (the default is **logging disk priority notice**).

If a **debug** command module uses the debug log for output, then the output can be filtered based on the priority level configuration for the four different levels of debug log output, as follows:

- For filtering on critical debug messages only, use the **logging disk priority critical** global configuration command.
- For filtering on critical and error level debug messages, use the **logging disk priority error** global configuration command.
- For filtering on critical, error, and trace debug level debug messages, use the **logging disk priority debug** global configuration command.
- For seeing all debug log messages, which include critical, error, trace and detail messages, use the **logging disk priority detail** global configuration command.

Regardless of the priority level configuration, any syslog messages at the LOG_ERROR or higher priority will be automatically written to the debug log associated with a module.

We recommend that you use the **debug** and **undebug** commands only at the direction of Cisco Systems technical support personnel.

Examples

The following example shows how to enable all SNMP debug monitoring:

```
WAE# debug snmp all
```

Related Commands

[show debugging](#)

debug stats

To monitor and record statistics debugging, use the **debug stats** EXEC command. To disable debugging, use the **undebug** form of this command.

debug stats {all | collections | computation | history}

undebug stats {all | collections | computation | history}

Syntax Description	
stats	(Optional) Enables statistics debugging.
all	Enables all statistics debug commands.
collection	Enables collection statistics debugging.
computation	Enables computation statistics debugging.
history	Enables history statistics debugging.

Defaults No default behavior or values.

Command Modes EXEC

Device Modes application-accelerator
central-manager

Usage Guidelines Because the performance of the WAAS device degrades when you use the **debug** command, we recommend that you use this command only at the direction of Cisco TAC. For more information, see the [“Obtaining Documentation and Submitting a Service Request”](#) section on page xx.

If the watchdog utility is not running, the message “WAAS is not running” appears.

Use the **show debugging** command to display enabled **debug** options.

The output associated with the **debug** command is written to either the syslog file in /local1/syslog.txt or the debug log associated with the module in the file /local1/errorlog/module_name-errorlog.current.

The debug log file associated with a module will be rotated to a backup file when the current file reaches its maximum size. The backup files are named as follows: *name-errorlog.#*, where # is the backup file number.

For any **debug** command, system logging must be enabled. The command to enable logging is the **logging disk enable** global configuration command, which is enabled by default.

If a **debug** command module uses the syslog for debug output, then you must use the **logging disk priority debug** global configuration command (the default is **logging disk priority notice**).

If a **debug** command module uses the debug log for output, then the output can be filtered based on the priority level configuration for the four different levels of debug log output, as follows:

- For filtering on critical debug messages only, use the **logging disk priority critical** global configuration command.

- For filtering on critical and error level debug messages, use the **logging disk priority error** global configuration command.
- For filtering on critical, error, and trace debug level debug messages, use the **logging disk priority debug** global configuration command.
- For seeing all debug log messages, which include critical, error, trace and detail messages, use the **logging disk priority detail** global configuration command.

Regardless of the priority level configuration, any syslog messages at the LOG_ERROR or higher priority will be automatically written to the debug log associated with a module.

We recommend that you use the **debug** and **undebug** commands only at the direction of Cisco Systems technical support personnel.

Examples

The following example shows how to enable all statistics debug monitoring:

```
WAE# debug stat all
```

Related Commands

[show debugging](#)

debug tfo

To monitor and record TFO flow optimization debugging, use the **debug tfo** EXEC command. To disable debugging, use the **undebug** form of this command.

```
debug tfo {buffer-mgr | connection [auto-discovery | comp-mgr [acl] | conn-mgr [acl] |
egress-method [acl] | filtering [acl] | netio-engine [acl] | policy-engine [acl] |
synq [acl] | acl] | stat-mgr | translog}
```

```
undebug tfo {buffer-mgr | connection [auto-discovery [acl] | comp-mgr [acl] | conn-mgr [acl] |
egress-method [acl] | filtering [acl] | netio-engine [acl] | policy-engine [acl] | synq [acl] | acl]
| stat-mgr | translog}
```

Syntax Description		
buffer-mgr		Enables TFO flow optimization debugging.
connection		Enables TFO connection debugging.
auto-discovery		(Optional) Enables TFO connection debugging for the auto-discovery module.
<i>acl</i>		(Optional) ACL to limit TFO connections.
comp-mgr		Enables TFO connection debugging for the compression module.
conn-mgr		Enables TFO connection debugging for the connection manager.
egress-method		Enables TFO connection debugging for the connection egress method.
filtering		Enables TFO connection debugging for the filtering module.
netio-engine		Enables TFO connection debugging for the network input/output module.
policy-engine		Enables TFO connection debugging of application policies.
synq		Enables TFO connection debugging for the SynQ module.
stat-mgr		Enables TFO statistics manager debugging.
translog		Enables TFO transaction log debugging.

Defaults No default behavior or values.

Command Modes EXEC

Device Modes application-accelerator

Usage Guidelines Because the performance of the WAAS device degrades when you use the **debug** command, we recommend that you use this command only at the direction of Cisco TAC. For more information, see the [“Obtaining Documentation and Submitting a Service Request”](#) section on page xx.

If the watchdog utility is not running, the message “WAAS is not running” appears.

Use the **show debugging** command to display enabled **debug** options.

The output associated with the **debug** command is written to either the syslog file in `/local1/syslog.txt` or the debug log associated with the module in the file `/local1/errorlog/module_name-errorlog.current`.

The debug log file associated with a module will be rotated to a backup file when the current file reaches its maximum size. The backup files are named as follows: `name-errorlog.#`, where `#` is the backup file number.

For any **debug** command, system logging must be enabled. The command to enable logging is the **logging disk enable** global configuration command, which is enabled by default.

If a **debug** command module uses the syslog for debug output, then you must use the **logging disk priority debug** global configuration command (the default is **logging disk priority notice**).

If a **debug** command module uses the debug log for output, then the output can be filtered based on the priority level configuration for the four different levels of debug log output, as follows:

- For filtering on critical debug messages only, use the **logging disk priority critical** global configuration command.
- For filtering on critical and error level debug messages, use the **logging disk priority error** global configuration command.
- For filtering on critical, error, and trace debug level debug messages, use the **logging disk priority debug** global configuration command.
- For seeing all debug log messages, which include critical, error, trace and detail messages, use the **logging disk priority detail** global configuration command.

Regardless of the priority level configuration, any syslog messages at the LOG_ERROR or higher priority will be automatically written to the debug log associated with a module.

We recommend that you use the **debug** and **undebug** commands only at the direction of Cisco Systems technical support personnel.

Examples

The following example shows how to enable all TFO flow optimization debug monitoring:

```
WAE# debug tfo all
```

Related Commands

[show debugging](#)

debug translog

To monitor and record transaction logging debugging, use the **debug translog** EXEC command. To disable debugging, use the **undebug** form of this command.

```
debug translog {detail | export | info}
```

```
undebug translog export
```

Syntax Description		
	translog	(Optional) Enables transaction logging debugging.
	detail	Enables transaction log detailed debugging.
	export	Enables transaction log FTP export debugging.
	info	Enables transaction log high level debugging.

Defaults No default behavior or values.

Command Modes EXEC

Device Modes application-accelerator

Usage Guidelines Because the performance of the WAAS device degrades when you use the **debug** command, we recommend that you use this command only at the direction of Cisco TAC. For more information, see the [“Obtaining Documentation and Submitting a Service Request”](#) section on page xx.

If the watchdog utility is not running, the message “WAAS is not running” appears.

Use the **show debugging** command to display enabled **debug** options.

The output associated with the **debug** command is written to either the syslog file in /local1/syslog.txt or the debug log associated with the module in the file /local1/errorlog/module_name-errorlog.current.

The debug log file associated with a module will be rotated to a backup file when the current file reaches its maximum size. The backup files are named as follows: *name-errorlog.#*, where # is the backup file number.

For any **debug** command, system logging must be enabled. The command to enable logging is the **logging disk enable** global configuration command, which is enabled by default.

If a **debug** command module uses the syslog for debug output, then you must use the **logging disk priority debug** global configuration command (the default is **logging disk priority notice**).

If a **debug** command module uses the debug log for output, then the output can be filtered based on the priority level configuration for the four different levels of debug log output, as follows:

- For filtering on critical debug messages only, use the **logging disk priority critical** global configuration command.
- For filtering on critical and error level debug messages, use the **logging disk priority error** global configuration command.

- For filtering on critical, error, and trace debug level debug messages, use the **logging disk priority debug** global configuration command.
- For seeing all debug log messages, which include critical, error, trace and detail messages, use the **logging disk priority detail** global configuration command.

Regardless of the priority level configuration, any syslog messages at the LOG_ERROR or higher priority will be automatically written to the debug log associated with a module.

We recommend that you use the **debug** and **undebug** commands only at the direction of Cisco Systems technical support personnel.

Examples

The following example shows how to enable transaction logging detail debug monitoring:

```
WAE# debug translog detail
```

Related Commands

[show debugging](#)

debug wafs

To set the log level of WAFS running components, use the **debug wafs** EXEC command. To disable debugging, use the **undebug** form of this command.

```
debug wafs {{all | core-fe | edge-fe | manager | utilities} {debug | error | info | warn}}
```

```
undebug wafs {{all | core-fe | edge-fe | manager | utilities} {debug | error | info | warn}}
```

Syntax Description

wafs	(Optional) Unsets the notification level (debug, info, warn, error) at which messages from the WAAS software component and utilities are logged.
all	Unsets the logging level for all software components and utilities at once.
core-fe	Unsets the logging level for WAEs s acting as a core File Engine.
edge-fe	Unsets the logging level for WAEs acting as an edge File Engine.
manager	Unsets the logging level for the Device Manager.
utilities	Unsets the logging level for WAAS utilities.
debug	Specifies debug.
error	Specifies error.
info	Specifies info.
warn	Specifies warn.

Defaults

No default behavior or values.

Command Modes

EXEC

Device Modes

application-accelerator

Usage Guidelines

Because the performance of the WAAS device degrades when you use the **debug** command, we recommend that you use this command only at the direction of Cisco TAC. For more information, see the [“Obtaining Documentation and Submitting a Service Request”](#) section on page xx.

If the watchdog utility is not running, the message “WAAS is not running” appears.

Use the **show debugging** command to display enabled **debug** options.

The output associated with the **debug** command is written to either the syslog file in /local1/syslog.txt or the debug log associated with the module in the file /local1/errorlog/module_name-errorlog.current.

The debug log file associated with a module will be rotated to a backup file when the current file reaches its maximum size. The backup files are named as follows: *name-errorlog.#*, where # is the backup file number.

For any **debug** command, system logging must be enabled. The command to enable logging is the **logging disk enable** global configuration command, which is enabled by default.

If a **debug** command module uses the syslog for debug output, then you must use the **logging disk priority debug** global configuration command (the default is **logging disk priority notice**).

If a **debug** command module uses the debug log for output, then the output can be filtered based on the priority level configuration for the four different levels of debug log output, as follows:

- For filtering on critical debug messages only, use the **logging disk priority critical** global configuration command.
- For filtering on critical and error level debug messages, use the **logging disk priority error** global configuration command.
- For filtering on critical, error, and trace debug level debug messages, use the **logging disk priority debug** global configuration command.
- For seeing all debug log messages, which include critical, error, trace and detail messages, use the **logging disk priority detail** global configuration command.

Regardless of the priority level configuration, any syslog messages at the LOG_ERROR or higher priority will be automatically written to the debug log associated with a module.

We recommend that you use the **debug** and **undebug** commands only at the direction of Cisco Systems technical support personnel.

Examples

The following example shows how to set the log level for all WAFS components to error level:

```
WAE# debug wafs all error
```

Related Commands

[show debugging](#)

debug wccp

To monitor and record WCCP information debugging, use the **debug wccp** EXEC command. To disable debugging, use the **undebug** form of this command.

```
debug wccp {all | detail | error | events | keepalive | packets | slowstart}
```

```
undebug wccp {all | detail | error | events | keepalive | packets | slowstart}
```

Syntax Description

wccp	(Optional) Enables the WCCP information debugging.
all	Enables all WCCP debugging functions.
detail	Enables the WCCP detail debugging.
error	Enables the WCCP error debugging.
events	Enables the WCCP events debugging.
keepalive	Enables the debugging for WCCP keepalives that are sent to the applications.
packets	Enables the WCCP packet-related information debugging.
slowstart	Enables the WCCP slow-start debugging.

Defaults

No default behavior or values.

Command Modes

EXEC

Device Modes

application-accelerator

Usage Guidelines

Because the performance of the WAAS device degrades when you use the **debug** command, we recommend that you use this command only at the direction of Cisco TAC. For more information, see the [“Obtaining Documentation and Submitting a Service Request”](#) section on page xx.

If the watchdog utility is not running, the message “WAAS is not running” appears.

Use the **show debugging** command to display enabled **debug** options.

The output associated with the **debug** command is written to either the syslog file in `/local1/syslog.txt` or the debug log associated with the module in the file `/local1/errorlog/module_name-errorlog.current`.

The debug log file associated with a module will be rotated to a backup file when the current file reaches its maximum size. The backup files are named as follows: `name-errorlog.#`, where # is the backup file number.

For any **debug** command, system logging must be enabled. The command to enable logging is the **logging disk enable** global configuration command, which is enabled by default.

If a **debug** command module uses the syslog for debug output, then you must use the **logging disk priority debug** global configuration command (the default is **logging disk priority notice**).

If a **debug** command module uses the debug log for output, then the output can be filtered based on the priority level configuration for the four different levels of debug log output, as follows:

- For filtering on critical debug messages only, use the **logging disk priority critical** global configuration command.
- For filtering on critical and error level debug messages, use the **logging disk priority error** global configuration command.
- For filtering on critical, error, and trace debug level debug messages, use the **logging disk priority debug** global configuration command.
- For seeing all debug log messages, which include critical, error, trace and detail messages, use the **logging disk priority detail** global configuration command.

Regardless of the priority level configuration, any syslog messages at the LOG_ERROR or higher priority will be automatically written to the debug log associated with a module.

We recommend that you use the **debug** and **undebug** commands only at the direction of Cisco Systems technical support personnel.

Examples

The following example shows how to enable WCCP information debug monitoring:

```
WAE# debug wccp all
```

Related Commands

[show debugging](#)

delfile

To delete a file from the current directory, use the **delfile** EXEC command.

delfile *filename*

Syntax Description	<i>filename</i>	Name of the file to delete.
---------------------------	-----------------	-----------------------------

Defaults	No default behavior or values.
-----------------	--------------------------------

Command Modes	EXEC
----------------------	------

Device Modes	application-accelerator central-manager
---------------------	--

Usage Guidelines	Use the delfile EXEC command to remove a file from a SYSFS partition on the disk drive of the WAAS device.
-------------------------	---

Examples	The following example shows how to delete a temporary file from the <i>/local1</i> directory using an absolute path:
-----------------	--

```
WAE# delfile /local1/tempfile
```

Related Commands	cpfile dir lls ls mkdir pwd rename
-------------------------	--

deltree

To remove a directory with all of its subdirectories and files, use the **deltree** EXEC command.

deltree *directory*

Syntax Description

directory Name of the directory tree to delete.

Defaults

No default behavior or values.

Command Modes

EXEC

Device Modes

application-accelerator
central-manager

Usage Guidelines

Use the **deltree** EXEC command to remove a directory and all files within the directory from the WAAS SYSFS file system. No warning is given that you are removing the subdirectories and files.



Note

Make sure that you do not remove files or directories required for the WAAS device to function properly.

Examples

The following example shows how to delete the *testdir* directory from the */local1* directory:

```
WAE# deltree /local1/testdir
```

Related Commands

[cpfile](#)
[dir](#)
[lls](#)
[ls](#)
[mkdir](#)
[pwd](#)
[rename](#)

dir

To view details of one file or all files in a directory, use the **dir** EXEC command.

dir [*directory*]

Syntax Description	<i>directory</i> (Optional) Name of the directory to list.
Defaults	No default behavior or values.
Command Modes	EXEC
Device Modes	application-accelerator central-manager
Usage Guidelines	Use the dir EXEC command to view a detailed list of files contained within the working directory, including information about the file name, size, and time created. The lls EXEC command produces the same output.

Examples The following example shows how to create a detailed list of all the files for the current directory:

```
WAE# dir
size          time of last change          name
-----
    4096   Fri Feb 24 14:40:00 2006 <DIR>   actona
    4096   Tue Mar 28 14:42:44 2006 <DIR>   core_dir
    4096   Wed Apr 12 20:23:10 2006 <DIR>   crash
    4506   Tue Apr 11 13:52:45 2006      dbupgrade.log
    4096   Tue Apr  4 22:50:11 2006 <DIR>   downgrade
    4096   Sun Apr 16 09:01:56 2006 <DIR>   errorlog
    4096   Wed Apr 12 20:23:41 2006 <DIR>   logs
   16384   Thu Feb 16 12:25:29 2006 <DIR>   lost+found
    4096   Wed Apr 12 03:26:02 2006 <DIR>   sa
   24576   Sun Apr 16 23:38:21 2006 <DIR>   service_logs
    4096   Thu Feb 16 12:26:09 2006 <DIR>   spool
   9945390 Sun Apr 16 23:38:20 2006      syslog.txt
   10026298 Thu Apr  6 12:25:00 2006      syslog.txt.1
   10013564 Thu Apr  6 12:25:00 2006      syslog.txt.2
   10055850 Thu Apr  6 12:25:00 2006      syslog.txt.3
   10049181 Thu Apr  6 12:25:00 2006      syslog.txt.4
    4096   Thu Feb 16 12:29:30 2006 <DIR>   var
    508    Sat Feb 25 13:18:35 2006      wdd.sh.signed
```

The following example shows how to display the detailed information for only the *logs* directory:

```
WAE# dir logs
size          time of last change          name
-----
-----
```

```
4096 Thu Apr 6 12:13:50 2006 <DIR> actona
4096 Mon Mar 6 14:14:41 2006 <DIR> apache
4096 Sun Apr 16 23:36:40 2006 <DIR> emdb
4096 Thu Feb 16 11:51:51 2006 <DIR> export
92 Wed Apr 12 20:23:20 2006 ftp_export.status
4096 Wed Apr 12 20:23:43 2006 <DIR> rpc_httpd
0 Wed Apr 12 20:23:41 2006 snmpd.log
4096 Sun Mar 19 18:47:29 2006 <DIR> tfo
```

Related Commands[lls](#)[ls](#)

disable

To turn off privileged EXEC commands, use the **disable** EXEC command.

disable

Syntax Description This command has no arguments or keywords.

Defaults No default behavior or values.

Command Modes EXEC

Device Modes application-accelerator
central-manager

Usage Guidelines Use the WAAS software CLI EXEC mode for setting, viewing, and testing system operations. This command mode is divided into two access levels, user and privileged. To access privileged-level EXEC mode, enter the **enable** EXEC command at the user access level prompt and specify a privileged EXEC password (superuser or admin-equivalent password) when prompted for a password.

```
WAE> enable
Password:
```

The **disable** command places you in the user-level EXEC shell (notice the prompt change).

Examples The following example shows how to enter the user-level EXEC mode from the privileged EXEC mode:

```
WAE# disable
WAE>
```

Related Commands [enable](#)

disk

To configure disks on a WAAS device, use the **disk EXEC** command.

disk delete-partitions *diskname*

disk delete-data-partitions

disk disk-name disk_{xx} replace

disk insert *diskname*

disk recreate-raid

disk scan-errors *diskname*

Syntax Description

delete-partitions <i>diskname</i>	<p>Deletes data on the specified logical disk drive. After using this command, the WAAS software treats the specified disk drive as blank. All previous data on the drive is inaccessible.</p> <p>Specify the name of the disk from which to delete partitions (disk00, disk01). For RAID-5 systems, this option is not available because only one logical drive is available.</p>
delete-data-partitions	<p>Deletes all data partitions on all logical drives. After using this command, the WAAS software treats the specified disk partitions as blank. All previous data on the partitions is inaccessible.</p> <p>Data partitions include the CONTENT, PRINTSPOOL, and GUEST partitions. These partitions include all DRE and CIFS cache files, print spool files, and any virtual blade images. If you want to keep virtual blade images, back them up before using this command by using the copy virtual-blade EXEC command.</p>
disk-name disk_{xx} replace	<p>Shuts down the physical disk with the name <i>disk_{xx}</i> (disk00, disk01, etc.) so that it can be replaced in the RAID-5 array.</p> <p>Note This option is available only on RAID-5 systems.</p>
insert <i>diskname</i>	<p>Instructs the SCSI host to rescan the bus to detect and mount the newly inserted disk. Specify the name of the disk to be inserted (disk00, disk01).</p> <p>Note This option is available only on WAE-612 and WAE-7326 models.</p>
recreate-raid	<p>Recreates the RAID-5 array.</p> <p>Note This option is available only on RAID-5 systems.</p>
scan-errors <i>diskname</i>	<p>Scans SCSI or IDE disks for errors and remaps the bad sectors if they are unused. Specify the name of the disk to be scanned (disk00, disk01).</p> <p>For RAID-5 systems, this command scans the logical RAID device for errors. On these systems, there is no <i>diskname</i> option.</p>

Defaults

No default behavior or values.

Command Modes EXEC

Device Modes application-accelerator
central-manager

Usage Guidelines The WAAS software supports hot-swap functionality for both failed disk replacement and scheduled disk maintenance. On the WAE-612 and WAE-7326, use the **disk disk-name diskxx shutdown** global configuration command to shut down a disk for scheduled disk maintenance. On the WAE-7341 and WAE-7371, use the **disk disk-name diskxx replace EXEC** command to shut down a disk. (For the scheduled disk maintenance procedure, see the *Cisco Wide Area Application Services Configuration Guide*, Chapter 14.)

The disk hot-swap functionality automatically disables a failed disk if the system detects one critical disk alarm. The software removes the failed disk automatically regardless of the setting for **disk error-handling**.

For WAE-7341 and WAE-7371 models, when you replace a failed disk that was automatically disabled by the software, the disk automatically returns to service. For WAE-612 and WAE-7326 models, when you replace a failed disk that was automatically disabled by the software, use the **disk insert EXEC** command to bring the disk back into service. For all other models, see the **(config) disk disk-name** command section.

To identify which disks have been identified as failed or bad, use the **show disks failed-disk-id EXEC** command. Do not reinsert any disk with a serial number shown in this list.

**Note**

The **show disks failed-disk-id** command is not available on WAE-7341 and WAE-7371 models.

Use the **disk delete-partitions EXEC** command to remove all disk partitions on a single disk drive on a WAAS device or to remove the disk partition on the logical drive for RAID-5 systems.

**Caution**

Be careful when using the **disk delete-partitions EXEC** command because the WAAS software treats the specified disk drive as blank. All previous data on the drive will become inaccessible.

**Note**

When you use the **disk delete-partitions EXEC** command on the WAE-7341 or WAE-7371 models, the command deletes the entire logical volume. The individual disk name option is not available on these platforms.

Examples The following example shows how to recreate the RAID-5 array:

```
WAE# disk recreate-raid
```

Related Commands [\(config\) disk disk-name](#)
[\(config\) disk error-handling](#)

```
(config) disk logical shutdown  
show disks
```

dnslookup

To resolve a host or domain name to an IP address, use the **dnslookup** EXEC command.

```
dnslookup {hostname | domainname}
```

Syntax Description	
<i>hostname</i>	Name of DNS server on the network.
<i>domainname</i>	Name of domain.

Defaults No default behavior or values.

Command Modes EXEC

Device Modes application-accelerator
central-manager

Examples The following examples show how the **dnslookup** command is used to resolve the hostname *myhost* to IP address 172.31.69.11, *abd.com* to IP address 192.168.219.25, and an IP address used as a hostname to 10.0.11.0:

```
WAE# dnslookup myhost
official hostname: myhost.abc.com
          address: 172.31.69.11

WAE# dnslookup abc.com
official hostname: abc.com
          address: 192.168.219.25

WAE# dnslookup 10.0.11.0
official hostname: 10.0.11.0
          address: 10.0.11.0
```

Related Commands

enable

To access privileged EXEC commands, use the **enable** EXEC command.

enable

Syntax Description This command has no arguments or keywords.

Defaults No default behavior or values.

Command Modes EXEC

Device Modes application-accelerator
central-manager

Usage Guidelines Use the WAAS software CLI EXEC mode for setting, viewing, and testing system operations. This command mode is divided into two access levels: user and privileged. To access privileged-level EXEC mode, enter the **enable** EXEC command at the user access level prompt and specify a privileged EXEC password (superuser or admin-equivalent password) when prompted for a password.

If using TACACS+ authentication, there is an enable password feature in TACACS+ that allows an administrator to define a different enable password for each user. If a TACACS+ user enters the **enable** EXEC command to access privileged EXEC mode, that user must enter the enable password defined by the TACACS+ server.

The **disable** command takes you from privileged EXEC mode to user EXEC mode.

Examples The following example shows how to access privileged EXEC mode:

```
WAE> enable
WAE#
```

Related Commands [disable](#)
[exit](#)

exit

To terminate privileged-level EXEC mode and return to the user-level EXEC mode, use the **exit** command.

exit

Syntax Description This command has no arguments or keywords.

Defaults No default behavior or values.

Command Modes All modes

Device Modes application-accelerator
central-manager

Usage Guidelines The **exit** EXEC command is equivalent to pressing **Ctrl-Z** or entering the **end** command. Entering the **exit** command in the user level EXEC shell terminates the console or Telnet session.

Examples The following example shows how to terminate privileged-level EXEC mode and return to the user-level EXEC mode:

```
WAE# exit  
WAE>
```

Related Commands [\(config\) exit](#)

find-pattern

To search for a particular pattern in a file, use the **find-pattern** command in EXEC mode.

```
find-pattern { binary reg-express filename | count reg-express filename | lineno reg-express filename | match reg-express filename | nomatch reg-express filename | recursive reg-express filename }
```

```
find-pattern case { binary reg-express filename | count reg-express filename | lineno reg-express filename | match reg-express filename | nomatch reg-express filename | recursive reg-express filename }
```

Syntax Description		
binary <i>reg-express filename</i>	Does not suppress the binary output. Specifies the regular expression to be matched and the filename.	
count <i>reg-express filename</i>	Prints the number of matching lines. Specifies the regular expression to be matched and the filename.	
lineno <i>reg-express filename</i>	Prints the line number with output. Specifies the regular expression to be matched and the filename.	
match <i>reg-express filename</i>	Prints the matching lines. Specifies the regular expression to be matched and the filename.	
nomatch <i>reg-express filename</i>	Prints the nonmatching lines. Specifies the regular expression to be matched and the filename.	
recursive <i>reg-express filename</i>	Searches a directory recursively. Specifies the regular expression to be matched and the filename.	
case	Matches a case-sensitive pattern.	

Defaults No default behavior or values.

Command Modes EXEC

Device Modes application-accelerator
central-manager

Examples The following example shows how to search a file recursively for a case-sensitive pattern:

```
WAE# find-pattern case recursive admin removed_core
-rw----- 1 admin root 95600640 Oct 12 10:27 /local/local1/core_dir/
core.3.0.0.b5.eh.2796
-rw----- 1 admin root 97054720 Jan 11 11:31 /local/local1/core_dir/
core.cache.3.0.0.b131.cnbuild.14086
-rw----- 1 admin root 96845824 Jan 11 11:32 /local/local1/core_dir/
core.cache.3.0.0.b131.cnbuild.14823
-rw----- 1 admin root 101580800 Jan 11 12:01 /local/local1/core_dir/
core.cache.3.0.0.b131.cnbuild.15134
-rw----- 1 admin root 96759808 Jan 11 12:59 /local/local1/core_dir/
```



```
core.cache.3.0.0.b131.cnbuild.20016
-rw----- 1 admin root 97124352 Jan 11 13:26 /local/local1/core_dir/
core.cache.3.0.0.b131.cnbuild.8095
```

The following example shows how to search a file for a pattern and print the matching lines:

```
WAE# find-pattern match 10 removed_core
Tue Oct 12 10:30:03 UTC 2004
-rw----- 1 admin root 95600640 Oct 12 10:27 /local/local1/core_dir/
core.3.0.0.b5.eh.2796
-rw----- 1 admin root 101580800 Jan 11 12:01 /local/local1/core_dir/
core.cache.3.0.0.b131.cnbuild.15134
```

The following example shows how to search a file for a pattern and print the number of matching lines:

```
WAE# find-pattern count 10 removed_core
3
```

Related Commands

- [cd](#)
- [dir](#)
- [lls](#)
- [ls](#)

help

To obtain online help for the command-line interface, use the **help** EXEC command.

help

Syntax Description This command has no arguments or keywords.

Defaults No default behavior or values.

Command Modes EXEC and global configuration

Device Modes application-accelerator
central-manager

Usage Guidelines You can obtain help at any point in a command by entering a question mark (?). If nothing matches, the help list will be empty, and you must back up until entering a ? shows the available options.

Two styles of help are provided:

- Full help is available when you are ready to enter a command argument (for example, **show ?**) and describes each possible argument.
- Partial help is provided when you enter an abbreviated command and you want to know what arguments match the input (for example, **show stat?**).

Examples The following example shows how to display the output of the **help** EXEC command:

```
WAE# help
```

```
Help may be requested at any point in a command by entering a question mark '?'. If nothing matches, the help list will be empty and you must backup until entering a '?' shows the available options.
```

```
Two styles of help are provided:
```

1. Full help is available when you are ready to enter a command argument.
2. Partial help is provided when an abbreviated argument is entered.

Related Commands [\(config\) help](#)

install

To install a new software image (such as the WAAS software) into flash on the WAAS device, use the **install EXEC** command.

install *imagefilename*

Syntax Description

imagefilename Name of the *.bin* file you want to install.

Defaults

No default behavior or values.

Command Modes

EXEC

Device Modes

application-accelerator
central-manager

Usage Guidelines

The **install** command loads the system image into flash memory and copies components of the optional software to the software file system (swfs) partition.



Note

If you are installing a system image that contains optional software, make sure that an SWFS partition is mounted on disk00.

To install a system image, copy the image file to the SYSFS directory *local1*. Before executing the **install** command, change the present working directory to the directory where the system image resides. When the **install** command is executed, the image file is expanded. The expanded files overwrite the existing files on the WAAS device. The newly installed version takes effect after the system image is reloaded.



Note

The **install** command does not accept *.pax* files. Files should be of the type *.bin* (for example, *cache-sw.bin*). Also, if the release being installed does not require a new system image, then it may not be necessary to write to flash memory. If the newer version has changes that require a new system image to be installed, then the **install** command may result in a write to flash memory.

Close your browser and restart the browser session to the WAAS Central Manager, if you installed a new software image to the primary WAAS Central Manager.

Examples

The following example shows how to load the system image contained in the *wae512-cache-300.bin* file:

```
WAE# install wae512-cache-300.bin
```

Related Commands [copy disk](#)
 [reload](#)

less

To display a file using the Less application, use the **less** EXEC command.

```
less file_name
```

Syntax Description	<i>file_name</i>	Name of the file to be displayed.
---------------------------	------------------	-----------------------------------

Defaults	No default behavior or values.
-----------------	--------------------------------

Command Modes	EXEC
----------------------	------

Device Modes	application-accelerator central-manager
---------------------	--

Usage Guidelines	<p>Less is a pager application that displays text files one page at a time. You can use Less to view the contents of a file, but not edit it. Less offers some additional features when compared to conventional text file viewer applications such as Type. These features include the following:</p> <ul style="list-style-type: none">• Backward movement—Allows you to move backward in the displayed text. Use k, Ctrl-k, y, or Ctrl-y to move backward. See the summary of Less commands for more details; to view the summary, press h or H while displaying a file in Less.• Searching and highlighting—Allows you to search for text in the file that you are viewing. You can search forward and backward. Less highlights the text that matches your search to make it easy to see where the match is.• Multiple file support—Allows you to switch between different files, remembering your position in each file. You can also do a search that spans all the files you are working with.
-------------------------	--

Examples	<p>The following example shows how to display the text of the <i>syslog.txt</i> file using the Less application:</p> <pre>WAE# less syslog.txt</pre>
-----------------	--

Related Commands	type
-------------------------	----------------------

license add

To add a software license to a device, use the **license add** EXEC command.

license add *license-name*

Syntax Description	<i>license-name</i>	Name of the software license to add. The following license names are supported: <ul style="list-style-type: none"> • Transport—Enables basic DRE, TFO, and LZ optimization. • Enterprise—Enables the EPM, HTTP, MAPI, NFS, SSL, CIFS (WAFS), and Windows Print application accelerators, the WAAS Central Manager, and basic DRE, TFO, and LZ optimization. • Video—Enables the video application accelerator. Requires the Enterprise license to be configured first. • Virtual-Blade—Enables the virtualization feature. Requires the Enterprise license to be configured first.
---------------------------	---------------------	--

Defaults	No default behavior or values.
-----------------	--------------------------------

Command Modes	EXEC
----------------------	------

Device Modes	application-accelerator central-manager
---------------------	--

Examples	The following example shows how to install the enterprise license: WAE# license add Enterprise
-----------------	--

Related Commands	clear arp-cache license show license
-------------------------	---

lls

To view a long list of directory names, use the **lls** EXEC command.

lls [*directory*]

Syntax Description	<i>directory</i> (Optional) Name of the directory for which you want a long list of files.
Defaults	No default behavior or values.
Command Modes	EXEC
Device Modes	application-accelerator central-manager
Usage Guidelines	The lls command provides detailed information about files and subdirectories stored in the present working directory (including the size, date, time of creation, SYSFS name, and long name of the file). This information can also be viewed with the dir command.
Examples	The following example shows how to display a detailed list of the files in the current directory:

```
WAE# lls
size          time of last change          name
-----
    4096  Fri Feb 24 14:40:00 2006  <DIR>  actona
    4096  Tue Mar 28 14:42:44 2006  <DIR>  core_dir
    4096  Wed Apr 12 20:23:10 2006  <DIR>  crash
    4506  Tue Apr 11 13:52:45 2006             dbupgrade.log
    4096  Tue Apr  4 22:50:11 2006  <DIR>  downgrade
    4096  Sun Apr 16 09:01:56 2006  <DIR>  errorlog
    4096  Wed Apr 12 20:23:41 2006  <DIR>  logs
   16384  Thu Feb 16 12:25:29 2006  <DIR>  lost+found
    4096  Wed Apr 12 03:26:02 2006  <DIR>  sa
   24576  Sun Apr 16 23:54:30 2006  <DIR>  service_logs
    4096  Thu Feb 16 12:26:09 2006  <DIR>  spool
   9951236  Sun Apr 16 23:54:20 2006             syslog.txt
  10026298  Thu Apr  6 12:25:00 2006             syslog.txt.1
  10013564  Thu Apr  6 12:25:00 2006             syslog.txt.2
  10055850  Thu Apr  6 12:25:00 2006             syslog.txt.3
  10049181  Thu Apr  6 12:25:00 2006             syslog.txt.4
    4096  Thu Feb 16 12:29:30 2006  <DIR>  var
    508   Sat Feb 25 13:18:35 2006             wdd.sh.signed
```

Related Commands [dir](#)
 [lls](#)
 [ls](#)

ls

To view a list of files or subdirectory names within a directory, use the **ls** EXEC command.

```
ls [directory]
```

Syntax Description	<i>directory</i> (Optional) Name of the directory for which you want a list of files.
---------------------------	---

Defaults	No default behavior or values.
-----------------	--------------------------------

Command Modes	EXEC
----------------------	------

Device Modes	application-accelerator central-manager
---------------------	--

Usage Guidelines	Use the ls <i>directory</i> command to list the filenames and subdirectories within a particular directory. Use the ls command to list the filenames and subdirectories of the current working directory. Use the pwd command to view the present working directory.
-------------------------	---

Examples	The following example shows how to display the files and subdirectories that are listed within the root directory:
-----------------	--

```
WAE# ls
actona
core_dir
crash
dbupgrade.log
downgrade
errorlog
logs
lost+found
sa
service_logs
spool
syslog.txt
syslog.txt.1
syslog.txt.2
syslog.txt.3
var
wdd.sh.signed
```

Related Commands	dir lls
-------------------------	--

pwd

mkdir

To create a directory, use the **mkdir** EXEC command.

mkdir *directory*

Syntax Description	<i>directory</i>	Name of the directory to create.
---------------------------	------------------	----------------------------------

Defaults	No default behavior or values.
-----------------	--------------------------------

Command Modes	EXEC
----------------------	------

Device Modes	application-accelerator central-manager
---------------------	--

Examples	The following example shows how to create a new directory, <i>oldpaxfiles</i> :
-----------------	---

```
WAE# mkdir /oldpaxfiles
```

Related Commands	cpfile dir lls ls pwd rename rmdir
-------------------------	--

mkfile

To create a new file, use the **mkfile** EXEC command.

```
mkfile filename
```

Syntax Description	<i>filename</i>	Name of the file that you want to create.
---------------------------	-----------------	---

Defaults	No default behavior or values.
-----------------	--------------------------------

Command Modes	EXEC
----------------------	------

Device Modes	application-accelerator central-manager
---------------------	--

Usage Guidelines	Use the mkfile EXEC command to create a new file in any directory of the WAAS device.
-------------------------	--

Examples	The following example shows how to create a new file, <i>traceinfo</i> , in the root directory: WAE# mkfile traceinfo
-----------------	---

Related Commands	cpfile dir lls ls mkdir pwd rename
-------------------------	--

ntpdate

To set the software clock (time and date) on a WAAS device using an NTP server, use the **ntpdate** EXEC command.

```
ntpdate {hostname | ip-address} [key {authentication-key}]
```

Syntax Description		
	<i>hostname</i>	NTP hostname.
	<i>ip-address</i>	NTP server IP address.
	key	(Optional) Specifies to use authentication with the NTP server.
	<i>authentication-key</i>	Authentication key string to use with the NTP server authentication. This value must be between 0 and 4294967295.

Defaults No default behavior or values.

Command Modes EXEC

Device Modes application-accelerator
central-manager

Usage Guidelines Use the **ntpdate** command to find the current time of day and set the current time on the WAAS device to match. You must save the time to the hardware clock using the **clock save** command if you want to restore the time after a reload.

Examples The following example shows how to set the software clock on the WAAS device using a NTP server:

```
WAE# ntpdate 10.11.23.40
```

Related Commands

- [clock](#)
- [\(config\) clock](#)
- [\(config\) ntp](#)
- [show clock](#)
- [show ntp](#)

ping

To send echo packets for diagnosing basic network connectivity on networks, use the **ping** EXEC command.

```
ping {hostname | ip-address}
```

Syntax Description

<i>hostname</i>	Hostname of system to ping.
<i>ip-address</i>	IP address of system to ping.

Defaults

No default behavior or values.

Command Modes

EXEC

Device Modes

application-accelerator
central-manager

Usage Guidelines

To use the **ping** command with the *hostname* argument, make sure that DNS functionality is configured on the WAAS device. To force the timeout of a nonresponsive host, or to eliminate a loop cycle, press **Ctrl-C**.

Examples

The following example shows how to send echo packets to a machine with address 172.19.131.189 to verify its availability on the network:

```
WAE# ping 172.19.131.189
PING 172.19.131.189 (172.19.131.189) from 10.1.1.21 : 56(84) bytes of
data.
64 bytes from 172.19.131.189: icmp_seq=0 ttl=249 time=613 usec
64 bytes from 172.19.131.189: icmp_seq=1 ttl=249 time=485 usec
64 bytes from 172.19.131.189: icmp_seq=2 ttl=249 time=494 usec
64 bytes from 172.19.131.189: icmp_seq=3 ttl=249 time=510 usec
64 bytes from 172.19.131.189: icmp_seq=4 ttl=249 time=493 usec

--- 172.19.131.189 ping statistics ---
5 packets transmitted, 5 packets received, 0% packet loss
round-trip min/avg/max/mdev = 0.485/0.519/0.613/0.047 ms
WAE#
```

pwd

To view the present working directory on a WAAS device, use the **pwd** EXEC command.

pwd

Syntax Description This command has no arguments or keywords.

Defaults No default behavior or values.

Command Modes EXEC

Device Modes application-accelerator
central-manager

Examples The following example shows how to display the current working directory:

```
WAE# pwd
/local1
```

Related Commands [cd](#)
[dir](#)
[lls](#)
[ls](#)

reload

To halt the operation and perform a cold restart on a WAAS device, use the **reload** EXEC command.

reload [**force** | **in** *m* | **cancel**]

Syntax Description	
force	(Optional) Forces a reboot without further prompting.
in <i>m</i>	(Optional) Schedules a reboot after a specified interval (1-10080 minutes).
cancel	(Optional) Cancels a scheduled reboot.

Defaults No default behavior or values.

Command Modes EXEC

Device Modes application-accelerator
central-manager

Usage Guidelines To reboot a WAAS device, use the **reload** command. If no configurations are saved to flash memory, you are prompted to enter configuration parameters upon a restart. Any open connections are dropped after you enter the **reload** command, and the file system is reformatted upon restart.

The **reload** command can include the option to schedule a reload of the software to take effect in a specified number of minutes. After entering this command, you are asked to confirm the reload by typing *y* and then confirm WCCP shutdown by typing *y* again (if WCCP is active).

You can use the **cancel** option to cancel a scheduled reload.

Examples The following example shows how to halt the operation of the WAAS device and reboot with the configuration saved in flash memory. You are not prompted for confirmations during the process.

```
WAE# reload force
```

Related Commands [write](#)

rename

To rename a file on a WAAS device, use the **rename** EXEC command.

```
rename oldfilename newfilename
```

Syntax Description	<i>oldfilename</i>	Original filename.
	<i>newfilename</i>	New filename.

Defaults No default behavior or values.

Command Modes EXEC

Device Modes application-accelerator
central-manager

Usage Guidelines Use the **rename** command to rename any SYSFS file without making a copy of the file.

Examples The following example shows how to rename the *errlog.txt* file to *old_errlog.txt*:

```
WAE# rename errlog.txt old_errlog.txt
```

Related Commands [cpfile](#)

restore

To restore the device to its manufactured default status by removing the user data from the disk and flash memory, use the **restore** EXEC command.

restore { **factory-default** [**preserve basic-config**] | **rollback** }

Syntax Description

factory-default	Resets the device configuration and data to their manufactured default status.
preserve	(Optional) Preserves certain configurations and data on the device.
basic-config	(Optional) Selects basic network configurations.
rollback	Rolls back the configuration to the last functional software and device configuration.

Defaults

No default behavior or values.

Command Modes

EXEC

Device Modes

application-accelerator
central-manager

Usage Guidelines

Use the **restore** EXEC command to restore data on a disk and in flash memory to the factory default, while preserving particular time-stamp evaluation data, or to roll back the configuration to the last functional data and device configuration.

This command erases all existing content on the device; however, your network settings are preserved and the device is accessible through a Telnet and Secure Shell (SSH) session after it reboots.

Backing up the Central Manager Database

Before you use the **restore factory-default** command on your primary WAAS Central Manager or change over from the primary to a standby WAAS Central Manager, make sure that you back up the WAAS Central Manager database and copy the backup file to a safe location that is separate from the WAAS Central Manager. You must halt the operation of the WAAS Central Manager before you enter the **backup** and **restore** commands.



Caution

The **restore** command erases user-specified configuration information stored in the flash image and removes data from a disk, user-defined disk partitions, and the entire Central Manager database. User-defined disk partitions that are removed include the SYSFS, WAAS, and PRINTSPOOLFS partitions. The configuration that is removed includes the starting configuration of the device.

By removing the WAAS Central Manager database, all configuration records for the entire WAAS network are deleted. If you do not have a valid backup file or a standby WAAS Central Manager, you must reregister every WAE with the WAAS Central Manager because all previously configured data is lost.

If you used your standby WAAS Central Manager to store the database while you reconfigured the primary, you can register the former primary as a new standby WAAS Central Manager.

If you created a backup file while you configured the primary WAAS Central Manager, you can copy the backup file to this newly reconfigured WAAS Central Manager.

Rolling Back the Configuration

You can roll back the software and configuration of a WAAS device to a previous version using the **restore rollback** command. You would roll back the software only in cases in which a newly installed version of the WAAS software is not functioning properly.

The **restore rollback** command installs the last saved WAAS.bin image on the system disk. A WAAS.bin image is created during software installation and stored on the system disk. If the WAAS device does not have a saved version, the software is not rolled back.



Note

WAFS to WAAS migration is supported. Rollback from WAAS to WAFS is not supported.

Examples

The following examples show how to use the **restore factory-default** and **restore factory-default preserve basic-config** commands. Because configuration parameters and data are lost, prompts are given before initiating the restore operation to ensure that you want to proceed.

```
WAE# restore factory-default
```

```
This command will wipe out all of data on the disks
and wipe out WAAS CLI configurations you have ever made.
If the box is in evaluation period of certain product,
the evaluation process will not be affected though.
```

```
It is highly recommended that you stop all active services
before this command is run.
```

```
Are you sure you want to go ahead?[yes/no]
```

```
WAE# restore factory-default preserve basic-config
```

```
This command will wipe out all of data on the disks
and all of WAAS CLI configurations except basic network
configurations for keeping the device online.
The to-be-preserved configurations are network interfaces,
default gateway, domain name, name server and hostname.
If the box is in evaluation period of certain product,
the evaluation process will not be affected.
```

```
It is highly recommended that you stop all active services
before this command is run.
```

```
Are you sure you want to go ahead?[yes/no]
```



Note

You can enter basic configuration parameters (such as the IP address, hostname, and name server) at this point, or you can enter these parameters later through entries in the command-line interface.

The following example shows how to verify that the **restore** command has removed data from the SYSFS, WAAS, and PRINTSPOOLFS partitioned file systems:

```
WAE# show disks details
```

```
Physical disk information:
```

```
disk00: Normal          (h00 c00 i00 100 - DAS)    140011MB(136.7GB)
disk01: Normal          (h00 c00 i01 100 - DAS)    140011MB(136.7GB)
```

```
Mounted filesystems:
```

MOUNT POINT	TYPE	DEVICE	SIZE	INUSE	FREE	USE%
/	root	/dev/root	35MB	30MB	5MB	85%
/swstore	internal	/dev/md1	991MB	333MB	658MB	33%
/state	internal	/dev/md2	3967MB	83MB	3884MB	2%
/disk00-04	CONTENT	/dev/md4	122764MB	33MB	122731MB	0%
/local/locall1	SYSFS	/dev/md5	3967MB	271MB	3696MB	6%
.../locall1/spool	PRINTSPOOL	/dev/md6	991MB	16MB	975MB	1%
/sw	internal	/dev/md0	991MB	424MB	567MB	42%

```
Software RAID devices:
```

DEVICE NAME	TYPE	STATUS	PHYSICAL DEVICES AND STATUS
/dev/md0	RAID-1	NORMAL OPERATION	disk00/00[GOOD] disk01/00[GOOD]
/dev/md1	RAID-1	NORMAL OPERATION	disk00/01[GOOD] disk01/01[GOOD]
/dev/md2	RAID-1	NORMAL OPERATION	disk00/02[GOOD] disk01/02[GOOD]
/dev/md3	RAID-1	NORMAL OPERATION	disk00/03[GOOD] disk01/03[GOOD]
/dev/md4	RAID-1	NORMAL OPERATION	disk00/04[GOOD] disk01/04[GOOD]
/dev/md5	RAID-1	NORMAL OPERATION	disk00/05[GOOD] disk01/05[GOOD]
/dev/md6	RAID-1	NORMAL OPERATION	disk00/06[GOOD] disk01/06[GOOD]

```
Currently content-fileSYSTEMS RAID level is not configured to change.
```

The following example shows how to upgrade or restore an older version of the WAAS software. In the example, version Y of the software is installed (using the **copy** command), but the administrator has not switched over to it yet, so the current version is still version X. The system is then reloaded (using the **reload** command), and it verifies that version Y is the current version running.

The following example shows how to roll back the software to version X (using the **restore rollback** command), and reload the software:

```
WAE# copy ftp install server path waas.versionY.bin
WAE# show version
Cisco Wide Area Application Services Software (WAAS)
Copyright (c) 1999-2006 by Cisco Systems, Inc.
Cisco Wide Area Application Services Software Release 4.0.0 (build b340 Mar 25 2
006)
Version: fe611-4.0.0.340

Compiled 17:26:17 Mar 25 2006 by cnbuild

System was restarted on Mon Mar 27 15:25:02 2006.
The system has been up for 3 days, 21 hours, 9 minutes, 17 seconds.

WAE# show version last
  Nothing is displayed.
WAE# show version pending
WAAS 4.0.1 Version Y
WAE# reload
..... reloading .....
WAE# show version
Cisco Wide Area Application Services Software (WAAS)
...
WAE# restore rollback
```

```
WAE# reload
..... reloading .....
```

Because flash memory configurations were removed after the **restore** command was used, the **show startup-config** command does not return any flash memory data. The **show running-config** command returns the default running configurations.

Related Commands[reload](#)[show disks](#)[show running-config](#)[show startup-config](#)[show version](#)

rmdir

To delete a directory on a WAAS device, use the **rmdir** EXEC command.

rmdir *directory*

Syntax Description	<i>directory</i>	Name of the directory that you want to delete.
---------------------------	------------------	--

Defaults	No default behavior or values.
-----------------	--------------------------------

Command Modes	EXEC
----------------------	------

Device Modes	application-accelerator central-manager
---------------------	--

Usage Guidelines	Use the rmdir EXEC command to remove any directory from the WAAS file system. The rmdir command only removes empty directories.
-------------------------	---

Examples	The following example shows how to delete the <i>oldfiles</i> directory from the <i>local1</i> directory: WAE# rmdir /local1/oldfiles
-----------------	---

Related Commands	cpfile dir lls ls mkdir pwd rename
-------------------------	--

scp

To copy files between network hosts, use the **scp** command.

```
scp [4][6][B][C][p][q][r][v] [c cipher] [F config-file] [i id-file] [o ssh_option] [P port] [S program]
[[user @] host : file] [...] [[user-n @] host-n : file-n]
```

Syntax Description

4	(Optional) Forces this command to use only IPv4 addresses.
6	(Optional) Forces this command to use only IPv6 addresses.
B	(Optional) Specifies the batch mode. In this mode, the scp command does not ask for passwords or passphrases.
C	(Optional) Enables compression. The scp command passes this option to the ssh command to enable compression.
p	(Optional) Preserves the following information from the source file: modification times, access times, and modes.
q	(Optional) Disables the display of progress information.
r	(Optional) Recursively copies directories and their contents.
v	(Optional) Specifies the verbose mode. Causes the scp and ssh commands to print debugging messages about their progress. This option can be helpful when troubleshooting connection, authentication, and configuration problems.
c <i>cipher</i>	(Optional) Specifies the cipher to use for encrypting the data being copied. The scp command directly passes this option to the ssh command.
F <i>config-file</i>	(Optional) Specifies an alternative per-user configuration file for Secure Shell (SSH). The scp command directly passes this option to the ssh command.
i <i>id-file</i>	(Optional) Specifies the file containing the private key for RSA authentication. The scp command directly passes this information to the ssh command.
o <i>ssh_option</i>	(Optional) Passes options to the ssh command in the format used in <code>ssh_config5</code> . See the ssh command for more information about the possible options.
P <i>port</i>	(Optional) Specifies the port to connect to on the remote host.
S <i>program</i>	(Optional) Specifies the program to use for the encrypted connection.
<i>user</i>	(Optional) Username.
<i>host</i>	(Optional) Hostname.
<i>file</i>	(Optional) Name of the file to copy.

Command Modes

EXEC

Device Modes

application-accelerator
central-manager

Usage Guidelines

The **scp** command uses SSH for transferring data between hosts.

This command prompts you for passwords or pass phrases when needed for authentication.

Related Commands

[ssh](#)

script

To execute a script provided by Cisco or check the script for errors, use the **script EXEC** command.

```
script {check | execute} file_name
```

Syntax Description	check	execute
	Checks the validity of the script.	Executes the script. The script file must be a SYSFS file in the current directory.
	<i>file_name</i>	Name of the script file.

Defaults No default behavior or values.

Command Modes EXEC

Device Modes application-accelerator
central-manager

Usage Guidelines The **script EXEC** command opens the script utility, which allows you to execute Cisco-supplied scripts or check errors in those scripts. The script utility can read standard terminal input from the user if the script you run requires input from the user.



Note The script utility is designed to run only Cisco-supplied scripts. You cannot execute script files that lack Cisco signatures or that have been corrupted or modified.

Examples The following example shows how to check for errors in the script file *test_script.pl*:

```
WAE# script check test_script.pl
```

setup

To configure basic configuration settings (general settings, device network settings, interception type, disk configuration, and licenses) on the WAAS device or to complete basic configuration after upgrading to the WAAS software, use the **setup** EXEC command.

setup

Syntax Description	This command has no arguments or keywords.
Defaults	No default behavior or values.
Command Modes	EXEC
Device Modes	application-accelerator central-manager
Usage Guidelines	For instructions on using the setup command, see the <i>Cisco Wide Area Application Services Quick Configuration Guide</i> .
Examples	<p>The following example shows how to access the first screen of the wizard when you enter the setup EXEC command on a WAAS device that is running the WAAS software:</p> <pre>WAE# setup Step 1: The following defaults can be configured: Device mode: Application-accelerator Interception Method: Inline Management Interface: InlineGroup 1/1 Autosense: yes Timezone: UTC 0 0 To keep above defaults and continue configuration, press 'y'. To change above defaults and continue configuration, press 'n' [y]:</pre>

show aaa accounting

To display the AAA accounting configuration information for a WAAS device, use the **show aaa accounting EXEC** command.

show aaa accounting

Defaults

No default behavior or values.

Command Modes

EXEC

Device Modes

application-accelerator
central-manager

Usage Guidelines

Use the **show aaa accounting EXEC** command to display configuration information for the following AAA accounting types:

- Exec shell
- Command (for normal users and superusers)
- System

Examples

[Table 3-1](#) describes the fields shown in the **show aaa accounting** command display.

Table 3-1 Field Descriptions for the show aaa accounting Command

Field	Description
Accounting Type	AAA accounting configuration for the following types of user accounts: <ul style="list-style-type: none"> • Exec • Command level 0 • Command level 15 • System
Record Event(s)	Configuration of the AAA accounting notice that is sent to the accounting server.
stop-only	WAAS device that sends a stop record accounting notice at the end of the specified activity or event to the TACACS+ accounting server.
start-stop	WAAS device that sends a start record accounting notice at the beginning of an event and a stop record at the end of the event to the TACACS+ accounting server. The start accounting record is sent in the background. The requested user service begins regardless of whether the start accounting record was acknowledged by the TACACS+ accounting server.

Table 3-1 *Field Descriptions for the show aaa accounting Command (continued)*

Field	Description
wait-start	WAAS device that sends both a start and a stop accounting record to the TACACS+ accounting server. The requested user service does not begin until the start accounting record is acknowledged. A stop accounting record is also sent.
disabled	Accounting that is disabled for the specified event.
Protocol	Accounting protocol that is configured.

Related Commands [\(config\) aaa accounting](#)

show aaa authorization

To display the AAA authorization configuration information for a WAAS device, use the **show aaa authorization** EXEC command.

show aaa authorization

Defaults

No default behavior or values.

Command Modes

EXEC

Device Modes

application-accelerator
central-manager

Usage Guidelines

Use the **show aaa authorization** EXEC command to display configuration and state information related to AAA authorization.

Examples

[Table 3-2](#) describes the fields shown in the **show aaa authorization** command display.

Table 3-2 Field Descriptions for the show aaa authorization Command

Field	Description
Authorization Type	AAA authorization configuration for the following types of user accounts: <ul style="list-style-type: none"> • Command level 0 • Command level 15
Protocol	Authorization protocol that is configured.

Related Commands

[\(config\) aaa authorization commands](#)

show accelerator

To display the status and configuration of the application accelerators, use the **show accelerator EXEC** command.

```
show accelerator [{ cifs | detail | epm | http [debug] | mapi | nfs | ssl | video }]
```

Syntax Description	
cifs	(Optional) Displays the status for the CIFS application accelerator.
detail	(Optional) Displays the license information, configuration state, and operational state for all accelerators, and additional accelerator and policy engine configuration.
epm	(Optional) Displays the status for the EPM application accelerator.
http	(Optional) Displays the status for the HTTP application accelerator.
debug	(Optional) Displays more detailed status for the HTTP application accelerator.
mapi	(Optional) Displays the status for the MAPI application accelerator.
nfs	(Optional) Displays the status for the NFS application accelerator.
ssl	(Optional) Displays the status for the SSL application accelerator.
video	(Optional) Displays the status for the video application accelerator.

Defaults No default behavior or values.

Command Modes EXEC

Device Modes application-accelerator

Examples [Table 3-3](#) describes the fields shown in the **show accelerator** command display for all application accelerators. Specific application accelerators display additional configuration status information.

Table 3-3 Field Description for the show accelerator Command

Field	Description
Accelerator	Name of the accelerator.
Licensed	Yes or No.
Config State	Accelerator is Enabled or Disabled.
Operational State	Shutdown, Initializing, Running, Cleaning Up, or Expired License.
Policy Engine Config Item: State	Registered (policy engine is communicating with the accelerator) or Not Registered (policy engine is not communicating with the accelerator; seen when the accelerator is disabled).

Table 3-3 Field Description for the show accelerator Command (continued)

Field	Description
Policy Engine Config Item: Default Action	Drop or Use. Specifies the action to be taken if the accelerator refuses to handle the connection (because of overload or other reasons). Drop means the connection is dropped, and Use means the connection uses a reduced set of policy actions (such as TFO and DRE).
Policy Engine Config Item: Connection Limit	Connection limit. The limit configured by the accelerator which states how many connections may be handled before new connection requests are rejected.
Policy Engine Config Item: Effective Limit	Effective connection limit. The dynamic limit relating to how many connections may be handled before new connection requests are rejected. This limit is affected by resources that have been reserved, but not yet used.
Policy Engine Config Item: Keepalive timeout	Connection keepalive timeout in seconds. Keepalive messages are sent by each accelerator.

If you use the **show accelerator http** command, the output contains an extra section called Accelerator Config Item, which appears before the Policy Engine Config Item section. In the Accelerator Config Item section, each item shows the status of an HTTP accelerator configuration item. The Mode column shows Default if the item is configured with the default setting or User if the item is configured with a different setting by the user. The Value column shows the current value of the item (Enabled, Disabled, or an alpha-numeric setting).

Related Commands

(config) accelerator cifs
 (config) accelerator epm
 (config) accelerator http
 (config) accelerator mapi
 (config) accelerator nfs
 (config) accelerator ssl
 (config) accelerator video
 show statistics accelerator

show alarms

To display information about various types of alarms, their status, and history on a WAAS device, use the **show alarms EXEC** command.

show alarms critical [detail [support]]

show alarms detail [support]

show alarms history [*start_num* [*end_num* [**detail** [**support**]]]] | **critical** [*start_num* [*end_num* [**detail** [**support**]]]]

show alarms major [*start_num* [*end_num* [**detail** [**support**]]]]

show alarms minor [*start_num* [*end_num* [**detail** [**support**]]]]

show alarms status

Syntax Description

critical	Displays critical alarm information.
detail	(Optional) Displays detailed information for each alarm.
support	(Optional) Displays additional information about each alarm.
history	Displays information about the history of various alarms.
<i>start_num</i>	(Optional) Alarm number that appears first in the alarm history.
<i>end_num</i>	(Optional) Alarm number that appears last in the alarm history.
major	Displays information about major alarms.
minor	Displays information about minor alarms.
status	Displays the status of various alarms and alarm overload settings.

Defaults

No default behavior or values.

Command Modes

EXEC

Device Modes

application-accelerator
central-manager

Usage Guidelines

The Node Health Manager in the WAAS software enables WAAS applications to raise alarms to draw attention in error/significant conditions. The Node Health Manager, which is the data repository for such alarms, aggregates the health and alarm information for the applications, services, and resources (for example, disk drives) that are being monitored on the WAAS device. For example, this feature gives you a mechanism to determine if a WAE is receiving overwhelming number of alarms. These alarms are referred to as WAAS software alarms.

The WAAS software uses SNMP to report error conditions by generating SNMP traps. The following WAAS applications can generate a WAAS software alarm:

- Node Health Manager (alarm overload condition)
- System Monitor (sysmon) for disk failures

The three levels of alarms in the WAAS software are as follows:

- **Critical**—Alarms that affect the existing traffic through the WAE and are considered fatal (the WAE cannot recover and continue to process traffic).
- **Major**—Alarms that indicate a major service (for example, the cache service) has been damaged or lost. Urgent action is necessary to restore this service. However, other node components are fully functional and the existing service should be minimally impacted.
- **Minor**—Alarms that indicate that a condition that will not affect a service has occurred, but that corrective action is required to prevent a serious fault from occurring.

You can configure alarms using the **snmp-server enable traps alarms** global configuration command.

Use the **show alarms critical EXEC** command to display the current critical alarms being generated by WAAS software applications. Use the **show alarms critical detail EXEC** command to display additional details for each of the critical alarms being generated. Use the **show alarms critical detail support EXEC** command to display an explanation about the condition that triggered the alarm and how you can find out the cause of the problem. Similarly, you can use the **show alarms major** and **show alarms minor EXEC** commands to display the details of major and minor alarms.

Use the **show alarms history EXEC** command to display a history of alarms that have been raised and cleared by the WAAS software on the WAAS device since the last software reload. The WAAS software retains the last 100 alarm raise and clear events only.

Use the **show alarms status EXEC** command to display the status of current alarms and the alarm overload status of the WAAS device and alarm overload configuration.

Examples

[Table 3-4](#) describes the fields shown in the **show alarms history** command display.

Table 3-4 Field Descriptions for the **show alarms history** Command

Field	Description
Op	Operation status of the alarm. Values are R–Raised or C–Cleared.
Sev	Severity of the alarm. Values are Cr–Critical, Ma–Major, or Mi–Minor.
Alarm ID	Type of event that caused the alarm. For example: wafs_edge_down or wafs_core_down.
Module/Submodule	Software module affected. For example: wafs
Instance	Object that this alarm event is associated with. For example, for an alarm event with the Alarm ID disk_failed, the instance would be the name of the disk that failed. The Instance field does not have predefined values and is application specific.

[Table 3-5](#) describes the fields shown in the **show alarms status** command display.

Table 3-5 *Field Descriptions for the show alarms status Command*

Field	Description
Critical Alarms	Number of critical alarms.
Major Alarms	Number of major alarms.
Minor Alarms	Number of minor alarms.
Overall Alarm Status	Aggregate status of alarms.
Device is NOT in alarm overload state.	Status of the device alarm overload state.
Device enters alarm overload state @ 999 alarms/sec.	Threshold number of alarms per second at which the device enters the alarm overload state.
Device exits alarm overload state @ 99 alarms/sec.	Threshold number of alarms per second at which the device exits the alarm overload state.
Overload detection is ENABLED.	Status of whether overload detection is enabled on the device.

Related Commands[\(config\) alarm overload-detect](#)[\(config\) snmp-server enable traps](#)

show arp

To display the ARP table for a WAAS device, use the **show arp** EXEC command.

show arp

Syntax Description This command has no arguments or keywords.

Defaults No default behavior or values.

Command Modes EXEC

Device Modes application-accelerator
central-manager

Usage Guidelines Use the **show arp** command to display the Internet-to-Ethernet address translation tables of the Address Resolution Protocol. Without flags, the current ARP entry for the host name is displayed.

Examples [Table 3-6](#) describes the fields shown in the **show arp** command display.

Table 3-6 *Field Descriptions for the show arp Command*

Field	Description
Protocol	Type of protocol.
Address	IP address of the hostname.
Flags	Current ARP flag status.
Hardware Addr	Hardware IP address given as six hexadecimal bytes separated by colons.
Type	Type of wide-area network.
Interface	Name and slot/port information for the interface.

show authentication

To display the authentication configuration for a WAAS device, use the **show authentication** EXEC command.

```
show authentication { user | strict-password-policy | content-request }
```

Syntax Descriptions

user	Displays authentication configuration for user login to the system.
strict-password-policy	Displays strict password policy configuration information.
content-request	Displays content request authentication configuration information in the disconnected mode.

Defaults

No default behavior or values.

Command Modes

EXEC

Device Modes

application-accelerator
central-manager

Usage Guidelines

When the WAAS device authenticates a user through an NTLM, LDAP, TACACS+, RADIUS, or Windows domain server, a record of the authentication is stored locally. As long as the entry is stored, subsequent attempts to access restricted Internet content by the same user do not require additional server lookups. To display the local and remote authentication configuration for user login, use the **show authentication user** EXEC command.

To display the strict password policy configuration information, use the **show authentication strict-password-policy** EXEC command.

To display the content request authentication configuration information in the disconnected mode, use the **show authentication content-request** EXEC command.

Examples

Table 3-7 describes the fields shown in the **show authentication user** command display.

Table 3-7 Field Descriptions for the show authentication user Command

Field	Description
Login Authentication: Console/Telnet/Ftp/SSH Session	Authentication service that is enabled for login authentication and the configured status of the service.
Windows domain RADIUS TACACS+ Local	Operation status of the authentication service. Values are enabled or disabled. Priority status of each authentication service. Values are primary, secondary, or tertiary.
Configuration Authentication: Console/Telnet/Ftp/SSH Session	Authentication service that is enabled for configuration authentication and the configured status of the service.
Windows domain RADIUS TACACS+ Local	Operation status of the authentication service. Values are enabled or disabled. Priority status of each authentication service. Values are primary, secondary, or tertiary.

Table 3-8 describes the fields in the **show authentication strict-password-policy** command display. If the strict password policy is not enabled, the command displays, “Strict password policy is disabled.”

Table 3-8 Field Description for the show authentication strict-password-policy Command

Field	Description
Password validity	Number of days for which strict passwords are valid.
Password expiry warning	Number of days in advance that users are warned before strict passwords expire.
Maximum login retry attempts	Number of login retry attempts allowed before the user is locked out.

Table 3-9 describes the field in the **show authentication content-request** command display.

Table 3-9 Field Description for the show authentication content-request Command

Field	Description
The content request authentication in disconnected mode is XXX.	Operation status of content request authentication in disconnected mode. Values are enabled or disabled.

Related Commands

(config) authentication configuration
 (config) authentication strict-password-policy
 clear arp-cache
 show statistics authentication

show auto-discovery

To display Traffic Flow Optimization (TFO) auto-discovery information for a WAE, use the **show auto-discovery EXEC** command.

```
show auto-discovery {blacklist [netmask netmask] | list [| {begin regex [regex] | exclude regex [regex] | include regex [regex] } ]}}
```

Syntax Description		
blacklist		Displays the entries in the blacklist server table.
netmask <i>netmask</i>		(Optional) Displays the network mask to filter the table output (A.B.C.D/).
list		Lists TCP flows that the WAE is currently optimizing or passing through.
		(Optional) Specifies the output modifier.
begin <i>regex</i>		Begins with the line that matches the regular expression. You can enter multiple expressions.
exclude <i>regex</i>		Excludes lines that match the regular expression. You can enter multiple expressions.
include <i>regex</i>		Includes lines that match the regular expression. You can enter multiple expressions.

Command Modes EXEC

Device Modes application-accelerator

Examples The following is sample output from the **show auto-discovery list** command:

```
WAE# show auto-discovery list

E: Established, S: Syn, A: Ack, F: Fin, R: Reset
s: sent, r: received, O: Options, P: Passthrough

      Src-IP:Port          Dst-IP:Port      Orig-St  Term-St
```

Related Commands

- [show statistics auto-discovery](#)
- [show statistics filtering](#)
- [show statistics tfo](#)
- [show statistics connection closed](#)

show auto-register

To display the status of the automatic registration feature on a WAE, use the **show auto-register** EXEC command.

show auto-register

Syntax Description This command has no arguments or keywords.

Defaults No default behavior or values.

Command Modes EXEC

Device Modes application-accelerator

Examples [Table 3-10](#) describes the output in the **show auto-register** command display.

Table 3-10 *Field Description for the show auto-register Command*

Field	Description
Auto registration is enabled.	Configuration status of the autoregistration feature.
Auto registration is disabled.	Configuration status of the autoregistration feature.

Related Commands [\(config\) auto-register](#)

show banner

To display the message of the day (MOTD), login, and EXEC banner settings, use the **show banner EXEC** command.

show banner

Syntax Description This command has no arguments or keywords.

Defaults No default behavior or values.

Command Modes EXEC

Device Modes application-accelerator
central-manager

Examples [Table 3-11](#) describes the fields shown in the **show banner** command display.

Table 3-11 *Field Descriptions for the show banner Command*

Field	Description
Banner is enabled	Configuration status of the banner feature.
MOTD banner is: abc	Configured message of the day.
Login banner is: acb	Configured login banner.
Exec banner is: abc	Configured EXEC banner.

Related Commands [\(config\) auto-register](#)

show bypass

To display static bypass configuration information for a WAE, use the **show bypass EXEC** command.

show bypass list

Syntax Description	list Displays the bypass list entries. You can have a maximum of 50 entries.
---------------------------	---

Defaults	No default behavior or values.
-----------------	--------------------------------

Command Modes	EXEC
----------------------	------

Device Modes	application-accelerator
---------------------	-------------------------

Examples	Table 3-12 describes the fields shown in the show bypass list command display.
-----------------	---

Table 3-12 Field Descriptions for the show bypass list Command

Field	Description
Client	IP address and port of the client. For any client with this IP address, the WAE will not process the packet, but will bypass it and send it back to the router.
Server	IP address and port of the server.
Entry type	Type of bypass list entry. The Entry type field contains one of the following values: static-config, auth-traffic, server-error, or accept. A static-config entry is a bypass list entry that is configured by the user. An auth-traffic entry is a type of dynamic entry that the internal software adds automatically when the server requests authentication.

Related Commands	(config) bypass
-------------------------	---------------------------------

show cache http-metadacache

To display HTTP metadata cache information for a WAE, use the **show cache http-metadacache EXEC** command.

```
show cache http-metadacache {all | conditional-response | redirect-response |
unauthorized-response} [url]
```

Syntax Description		
all		Displays cache entries for all HTTP metadata cache response types.
conditional-response		Displays cache entries for conditional responses (304).
redirect-response		Displays cache entries for redirect responses (301).
unauthorized-response		Displays cache entries for authorization required responses (401).
<i>url</i>		Displays cache entries matching only the specified URL. If the URL string contains a question mark (?), it must be escaped with a preceding backslash (for example, \?).

Defaults No default behavior or values.

Command Modes EXEC

Device Modes application-accelerator

Examples [Table 3-13](#) describes the fields shown in the **show cache http-metadacache all** command display.

Table 3-13 Field Descriptions for the show cache http-metadacache all Command

Field	Description
Redirect Cache	
Active entries	Number of current redirect cache entries
Max Entries	Maximum number of redirect cache entries allowed.
URL	URL and expiration time (in seconds) for each redirect cache entry.
Conditional Cache	
Active entries	Number of current conditional cache entries
Max Entries	Maximum number of conditional cache entries allowed.
URL	URL and expiration time (in seconds) for each conditional cache entry.
Unauthorized Cache	
Active entries	Number of current unauthorized cache entries
Max Entries	Maximum number of unauthorized cache entries allowed.
URL	URL and expiration time (in seconds) for each unauthorized cache entry.

Related Commands [\(config\) accelerator http](#)
[clear cache](#)

show cdp

To display CDP configuration information, use the **show cdp** EXEC command.

```
show cdp entry { * | neighbor } [protocol | version]
```

```
show cdp interface
  [GigabitEthernet slot/port | InlinePort slot/port/{lan/wan}]
```

```
show cdp neighbors
  [detail | GigabitEthernet slot/port [detail] | InlinePort slot/port/{lan/wan} [detail]]
```

```
show cdp {holdtime | run | timer | traffic}
```

Syntax Description		
entry	(Optional) Displays information for a specific CDP neighbor entry.	
*	Specifies all neighbors.	
<i>neighbor</i>	The CDP neighbor entry to display.	
protocol	(Optional) Displays the CDP protocol information.	
version	(Optional) Displays the CDP version.	
interface	Displays interface status and configuration.	
GigabitEthernet <i>slot/port</i>	(Optional) Displays Gigabit Ethernet configuration (slot 1–2 and port number).	
InlinePort <i>slot/port/{lan/wan}</i>	(Optional) Displays Inline Port configuration (slot 1–4, port number, LAN or WAN port).	
neighbors	Displays CDP neighbor entries.	
detail	(Optional) Displays detailed information.	
holdtime	Displays the length of time that CDP information is held by neighbors.	
run	Displays the CDP process status.	
timer	Displays the time when CDP information is resent to neighbors.	
traffic	Displays CDP statistical information.	

Defaults No default behavior or values.

Command Modes EXEC

Device Modes application-accelerator
central-manager

Usage Guidelines The **show cdp** command displays information about how frequently CDP packets are resent to neighbors, the length of time that CDP packets are held by neighbors, the disabled status of CDP Version 2 multicast advertisements, CDP Ethernet interface ports, and general CDP traffic information.

Examples

Table 3-14 describes the fields shown in the **show cdp** command display.

Table 3-14 Field Descriptions for the show cdp Command

Field	Description
Sending CDP packets every XX seconds	Interval (in seconds) between transmissions of CDP advertisements. This field is controlled by the cdp timer command.
Sending a holdtime value of XX seconds	Time (in seconds) that the device directs the neighbor to hold a CDP advertisement before discarding it. This field is controlled by the cdp holdtime command.
Sending CDPv2 advertisements is XX	Transmission status for sending CDP Version-2 type advertisements. Possible values are enabled or disabled.

Table 3-15 describes the fields shown in the **show cdp entry neighbor** command display.

Table 3-15 Field Descriptions for the show cdp entry Command

Field	Description
Device ID	Name of the neighbor device and either the MAC address or the serial number of this device.
Entry address(es)	
IP address	IP address of the neighbor device.
CLNS address	Non-IP network address. The field depends on the type of neighbor.
DECnet address	Non-IP network address. The field depends on the type of neighbor.
Platform	Product name and number of the neighbor device.
Interface	Protocol being used by the connectivity media.
Port ID (outgoing port)	Port number of the port on the neighbor device.
Capabilities	Capability code discovered on the neighbor device. This is the type of the device listed in the CDP Neighbors table. Possible values are as follows: R—Router T—Transparent bridge B—Source-routing bridge S—Switch H—Host I—IGMP device r—Repeater
Holdtime	Time (in seconds) that the current device will hold the CDP advertisement from a transmitting router before discarding it.
Version	Software version running on the neighbor device.

Table 3-16 describes the fields shown in the **show cdp entry neighbor protocol** command display.

Table 3-16 *Field Descriptions for the show cdp entry protocol Command*

Field	Description
Protocol information for XX	Name or identifier of the neighbor device.
IP address	IP address of the neighbor device.
CLNS address	Non-IP network address. The field depends on the type of neighbor.
DECnet address	Non-IP network address. The field depends on the type of neighbor.

Table 3-17 describes the fields shown in the **show cdp entry neighbor version** command display.

Table 3-17 *Field Descriptions for the show cdp entry version Command*

Field	Description
Version information for XX	Name or identifier of the neighbor device.
Software, Version	Software and version running on the neighbor device.
Copyright	Copyright information for the neighbor device.

Table 3-18 describes the field in the **show cdp holdtime** command display.

Table 3-18 *Field Descriptions for the show cdp holdtime Command*

Field	Description
XX seconds	Time, in seconds, that the current device will hold the CDP advertisement from a transmitting router before discarding it.

Table 3-19 describes the fields shown in the **show cdp interface** command display.

Table 3-19 *Field Descriptions for the show cdp interface Command*

Field	Description
Interface_slot/port is XX	Operation status of the CDP interface. Values are up or down.
Encapsulation	Encapsulation.
Sending CDP packets every XX seconds	Time interval at which CDP packets are sent.
Holdtime	Time, in seconds, that the current device will hold the CDP advertisement from a transmitting router before discarding it.
CDP protocol is XX	Protocol being used by the connectivity media.

Table 3-20 describes the fields shown in the **show cdp neighbors** command display.

Table 3-20 *Field Descriptions for the show cdp neighbors Command*

Field	Description
Device ID	Configured ID (name), MAC address, or serial number of the neighbor device.
Local Intrfce	(Local Interface) Protocol being used by the connectivity media.
Holdtime	Time, in seconds, that the current device will hold the CDP advertisement from a transmitting router before discarding it.
Capability	Capability code discovered on the device. This is the type of the device listed in the CDP Neighbors table. Possible values are as follows: R—Router T—Transparent bridge B—Source-routing bridge S—Switch H—Host I—IGMP device r—Repeater
Platform	Product number of the device.
Port ID (outgoing port)	Port number of the device.

Table 3-21 describes the fields shown in the **show cdp neighbors detail** command display.

Table 3-21 *Field Descriptions for the show cdp neighbors detail Command*

Field	Description
Device ID	Configured ID (name), MAC address, or serial number of the neighbor device.
Entry address (es)	List of network addresses of neighbor devices.
Platform	Product name and number of the neighbor device.
Capabilities	Device type of the neighbor. This device can be a router, a bridge, a transparent bridge, a source-routing bridge, a switch, a host, an IGMP device, or a repeater.
Interface	Protocol being used by the connectivity media.
Port ID (outgoing port)	Port number of the port on the neighbor device.
Holdtime	Time, in seconds, that the current device will hold the CDP advertisement from a transmitting router before discarding it.
Version	Software version running on the neighbor device.
Copyright	Copyright information for the neighbor device.
advertisement version	Version of CDP being used for CDP advertisements.

Table 3-21 Field Descriptions for the `show cdp neighbors detail` Command (continued)

Field	Description
VTP Management Domain	VLAN trunk protocol management domain. The VLAN information is distributed to all switches that are part of the same domain.
Native VLAN	VLAN to which the neighbor interface belongs.

Table 3-22 describes the field in the `show cdp run` command display.

Table 3-22 Field Description for the `show cdp run` Command

Field	Description
CDP is XX.	Whether CDP is enabled or disabled.

Table 3-23 describes the field in the `show cdp timer` command display.

Table 3-23 Field Description for the `show cdp timer` Command

Field	Description
cdp timer XX	Time when CDP information is resent to neighbors.

Table 3-24 describes the fields shown in the `show cdp traffic` command display.

Table 3-24 Field Descriptions for the `show cdp traffic` Command

Field	Description
Total packets Output	(Total number of packets sent) Number of CDP advertisements sent by the local device. This value is the sum of the CDP Version 1 advertisements output and CDP Version 2 advertisements output fields.
Input	(Total number of packets received) Number of CDP advertisements received by the local device. This value is the sum of the CDP Version-1 advertisements input and CDP Version 2 advertisements input fields.
Hdr syntax	(Header Syntax) Number of CDP advertisements with bad headers received by the local device.
Chksum error	(Checksum Error) Number of times that the checksum (verifying) operation failed on incoming CDP advertisements.
Encaps failed	(Encapsulations Failed) Number of times that CDP failed to transmit advertisements on an interface because of a failure caused by the bridge port of the local device.
No memory	Number of times that the local device did not have enough memory to store the CDP advertisements in the advertisement cache table when the device was attempting to assemble advertisement packets for transmission and parse them when receiving them.
Invalid packet	Number of invalid CDP advertisements received and sent by the local device.
Fragmented	Number of times fragments or portions of a single CDP advertisement were received by the local device instead of the complete advertisement.

Table 3-24 *Field Descriptions for the show cdp traffic Command (continued)*

Field	Description
CDP version 1 advertisements Output	Number of CDP Version 1 advertisements sent by the local device.
Input	Number of CDP Version 1 advertisements received by the local device.
CDP version 2 advertisements Output	Number of CDP Version 2 advertisements sent by the local device.
Input	Number of CDP Version 2 advertisements received by the local device.

Related Commands[\(config\) cdp](#)[\(config-if\) cdp](#)[clear arp-cache](#)[debug cdp](#)

show cifs

To display legacy CIFS run-time information, use the **show cifs** EXEC command.

show cifs auto-discovery [enabled | host-db | last]

show cifs cache {disk-use | entry-count}

show cifs connectivity peers

show cifs mss

show cifs requests {count | waiting}

show cifs sessions {count | list}

Syntax Description		
auto-discovery		Displays the CIFS auto-discovery status and run-time data.
enabled		(Optional) Displays current state of CIFS auto-discovery.
host-db		(Optional) Displays currently known hosts.
last		(Optional) Displays last auto-discovered entries.
cache		Displays CIFS cache information.
disk-use		Displays the total disk usage for CIFS cache.
entry-count		Displays the count of internal cache resources used for cached files.
connectivity		Displays Run-time information on Edge-Core connectivity.
peers		Displays a list of connected Cores.
mss		Displays the TCP maximum segment size (MSS) for the CIFS adapter. The segment size range is 512–1460.
requests		Displays run-time information on active CIFS requests.
count		Displays the number of pending CIFS requests.
waiting		Displays the number of waiting CIFS requests.
sessions		Displays run-time information on active CIFS sessions.
count		Displays the connected session count.
list		Displays the list of connected CIFS sessions.

Defaults No default behavior or values.

Command Modes EXEC

Device Modes application-accelerator

Usage Guidelines The **show cifs** command operates on legacy mode WAFS. For information on the transparent CIFS accelerator, use the **show accelerator** or **show statistics accelerator** commands.

CIFS legacy mode is deprecated and no longer supported in WAAS 4.2.x and later. We recommend using the transparent CIFS accelerator instead.

Use the **show cifs cache** command to view information about caching efficiency. You might use this command to determine if the cache contains sufficient space or if more space is needed. If you have a performance issue, you might use this command to see whether or not the cache is full.

Use the **show cifs connectivity peers** command to validate the WAN link state and the Edge to Core connectivity. This command is useful for general monitoring and debugging.

Use the **show cifs requests count** or **show cifs requests waiting** command to monitor the load for CIFS traffic. You might also use this command for debugging purposes to isolate requests that are not processing.

Use the **show cifs sessions count** or **show cifs sessions list** command to view session information. You might use this command to monitor connected users during peak and off-peak hours.

Examples

The following is sample output from the **show cifs connectivity peers** command:

```
WAE# show cifs connectivity peers
In_533202151_2.43.60.38
```

Related Commands [cifs](#)

show clock

To display information about the system clock on a WAAS device, use the **show clock** EXEC command.

```
show clock [detail | standard-timezones {all | details timezone | regions | zones region-name}]
```

Syntax Description		
detail	(Optional) Displays detailed information; indicates the clock source (NTP) and the current summer time setting (if any).	
standard-timezones	(Optional) Displays information about the standard time zones.	
all	Displays all of the standard time zones (approximately 1500 time zones). Each time zone is listed on a separate line.	
details <i>timezone</i>	Displays detailed information for the specified time zone.	
regions	Displays the region name of all the standard time zones. All 1500 time zones are organized into directories by region.	
zones <i>region-name</i>	Displays the name of every time zone that is within the specified region.	

Defaults No default behavior or values.

Command Modes EXEC

Device Modes application-accelerator
central-manager

Usage Guidelines The WAAS device has several predefined standard time zones. Some of these time zones have built-in summer time information while others do not. For example, if you are in an eastern region of the United States (US), you must use the US/Eastern time zone that includes summer time information for the system clock to adjust automatically every April and October. There are about 1500 standard time zone names.

Strict checking disables the **clock summertime** command when you configure a standard time zone is configured. You can configure summer time only if the time zone is not a standard time zone (that is, if the time zone is a customized zone).

The **show clock standard-timezones all** EXEC command enables you to browse through all standard timezones and choose from these predefined time zones so that you can choose a customized name that does not conflict with the predefined names of the standard time zones. Most predefined names of the standard time zones have two components, a region name and a zone name. You can list time zones by several criteria, such as regions and zones. To display all first level time zone names organized into directories by region, use the **show clock standard-timezones region** EXEC command.

The **show clock** command displays the local date and time information and the **show clock detail** command shows optional detailed date and time information.

Examples

Table 3-25 describes the field in the **show clock** command display.

Table 3-25 *Field Description for the show clock Command*

Field	Description
Local time	Day of the week, month, date, time (hh:mm:ss), and year in local time relative to the UTC offset.

Table 3-26 describes the fields shown in the **show clock detail** command display.

Table 3-26 *Field Descriptions for the show clock detail Command*

Field	Description
Local time	Local time relative to UTC.
UTC time	Universal time clock date and time.
Epoch	Number of seconds since Jan. 1, 1970.
UTC offset	UTC offset in seconds, hours, and minutes.

Related Commands

[clock](#)

[\(config\) clock](#)

show cms

To display Centralized Management System (CMS) embedded database content and maintenance status and other information for a WAAS device, use the **show cms** EXEC command.

```
show cms {database content {dump filename | text | xml} | info | secure-store}
```

Syntax Description

database	Displays embedded database maintenance information.
content	Writes the database content to a file.
dump filename	Dumps all database content to a text file. Specifies the name of the file to be saved under local1 directory.
text	Writes the database content to a file in text format.
xml	Writes the database content to a file in XML format.
info	Displays CMS application information.
secure-store	Displays the status of the CMS secure store.

Defaults

No default behavior or values.

Command Modes

EXEC

Device Modes

application-accelerator
central-manager

Examples

[Table 3-27](#) describes the fields shown in the **show cms info** command display for WAAS application engines.

Table 3-27 Field Descriptions for the show cms info Command for WAAS Application Engines

Field	Description
Device registration information	
Device Id	Unique identifier given to the device by the Central Manager at registration, which is used to manage the device.
Device registered as	Type of device used during registration: WAAS Application Engine or WAAS Central Manager.
Current WAAS Central Manager	Address of the Central Manager as currently configured in the central-manager address global configuration command. This address may differ from the registered address if a standby Central Manager is managing the device instead of the primary Central Manager with which the device is registered.
Registered with WAAS Central Manager	Address of the Central Manager with which the device is registered.

Table 3-27 Field Descriptions for the show cms info Command for WAAS Application Engines

Field	Description
Status	Connection status of the device to the Central Manager. This field may contain one of three values: online, offline, or pending.
Time of last config-sync	Time when the device management service last contacted the Central Manager for updates.
CMS services information	
Service cms_ce is running	Status of the WAE device management service (running or not running). This field is specific to the WAE only.

Table 3-28 describes the fields shown in the **show cms info** command display for WAAS Central Managers.

Table 3-28 Field Descriptions for the show cms info Command for WAAS Central Managers

Field	Description
Device registration information	
Device Id	Unique identifier given to the device by the Central Manager at registration, which is used to manage the device.
Device registered as	Type of device used during registration: WAAS Application Engine or WAAS Central Manager.
Current WAAS Central Manager role	Role of the current Central Manager: Primary or Standby. Note The output for primary and standby Central Manager devices is different. On a standby, the output includes the following additional information: Current WAAS Central Manager and Registered with WAAS Central Manager.
Current WAAS Central Manager	Address of the standby Central Manager as currently configured in the central-manager address global configuration command.
Registered with WAAS Central Manager	Address of the standby Central Manager with which the device is registered.
CMS services information	
Service cms_httpd is running	Status of the management service (running or not running). This field is specific to the Central Manager only.
Service cms_cdm is running	Status of the management service (running or not running). This field is specific to the Central Manager only.

Table 3-29 describes the field in the **show cms database content text** command display.

Table 3-29 *Field Description for the show cms database content text Command*

Field	Description
Database content can be found in /local1/cms-db-12-12-2002-17:06:08:070.txt.	Name and location of the database content text file. The show cms database content text command requests the management service to write its current configuration to an automatically generated file in text format.

Table 3-30 describes the field in the **show cms database content xml** command display.

Table 3-30 *Field Description for the show cms database content xml Command*

Field	Description
Database content can be found in /local1/cms-db-12-12-2002-17:07:11:629.xml.	Name and location of the database content XML file. The show cms database content xml command requests the management service to write its current configuration to an automatically generated file in XML format.

Related Commands

[cms](#)
[\(config\) cms](#)

show cms secure-store

To display secure store status, use the **show cms secure-store EXEC** command.

show cms secure-store

Syntax Description This command has no arguments or keywords.

Defaults No default behavior or values.

Command Modes EXEC

Device Modes application-accelerator
central-manager

Usage Guidelines The **show cms secure-store** command will display one of the following status messages ([Table 3-31](#)):

Table 3-31 Status Messges for the show cms secure-store Command

Message	Description
secure-store not initialized	Secure store is not initialized.
secure-store is initialized, enter pass-phrase to open store	Secure store is initialized and not open.
secure-store initialized and open	Secure store is initialized and open.

Examples The following is sample output from the **show cms secure-store** command:

```
WAE# show cms secure-store
secure-store initialized and open
```

Related Commands [cms secure-store](#)

show crypto

To display crypto layer information, use the **show crypto** EXEC command.

```
show crypto { certificate-detail { factory-self-signed | management | admin | filename } |
certificates | ssl services { accelerated-service service | host-service peering } }
```

Syntax Description		
certificate-detail		Displays a certificate in detail.
factory-self-signed		Displays WAAS self-signed certificates in detail.
management		Displays WAAS management certificates in detail.
admin		Displays the certificate details for the Central Manager admin service certificate. This option can be used only on the Central Manager.
<i>filename</i>		Filename of the certificate to display.
certificates		Displays a summary of all PKI certificates. This option can be used only on the WAE.
ssl services		Displays status of SSL services. This option can be used only on the WAE.
accelerated-service	<i>service</i>	Displays status of SSL accelerated service with the specified service name.
host-service peering		Displays status of the SSL host peering service.

Defaults No default behavior or values.

Command Modes EXEC

Device Modes application-accelerator
central-manager

Examples [Table 3-32](#) describes the fields in the **show crypto certificate-detail** command display.

Table 3-32 Field Descriptions for the show crypto certificate-detail Command

Field	Description
Version	Certificate version.
Serial Number	Certificate serial number.
Signature Algorithm	Certificate signature algorithm.
Issuer	Information on the signer of the certificate.
Validity	
Not Before	The date and time before which the certificate is not valid.
Not After	The date and time after which the certificate is not valid.

Table 3-32 Field Descriptions for the *show crypto certificate-detail* Command

Field	Description
Subject	Information on the holder of the certificate.
Subject Public Key Info	
Public Key Algorithm	Fields display X.509 certificate information as defined in RFC 5280.
RSA Public Key	
Modulus	
Exponent	
X509v3 extensions	
X509v3 Subject Key Identifier	Fields display X.509 certificate information as defined in RFC 5280.
X509v3 Authority Key Identifier	
X509v3 Basic Constraints	
Signature Algorithm	
BEGIN CERTIFICATE	The actual certificate follows until the End Certificate line.
END CERTIFICATE	The line that signifies the end of the certificate.

Table 3-33 describes the fields in the **show crypto certificates** command display.

Table 3-33 Field Descriptions for the *show crypto certificates* Command

Field	Description
Certificate Only Store	Certificate Authority (CA) certificates.
Managed Store	User-defined certificates. Used under the server-cert-key section of SSL accelerated services. This certificate is used as a server certificate for client-to-WAE connections.
Local Store	
Machine Self signed Certificate	Certificate from the WAE to the server when client authentication is requested by the server.
Format	Format of the certificate (PEM or PKCS12).
Subject	The name of the holder of the certificate.
Issuer	Who signed the certificate.
Management Service Certificate	
Format	Format of the certificate (PEM or PKCS12).
EEC: Subject	The name of the holder of the certificate.
Issuer	Who signed the certificate.

Related Commands [show statistics crypto ssl ciphers](#)

show debugging

To display the state of each debugging option that was previously enabled on a WAAS device, use the **show debugging EXEC** command.

show debugging

Syntax Description This command has no arguments or keywords.

Defaults No default behavior or values.

Command Modes EXEC

Device Modes application-accelerator
central-manager

Usage Guidelines The **show debugging** command shows which debug options have been enabled or disabled. If there are no debug options configured, the **show debugging** command shows no output.

The **dre**, **epm**, **flow**, **print-spooler**, **rbcp**, **tfo**, **translog**, **wafs**, and **wccp** command options are supported in the application-accelerator device mode only. The **emdb** and **rpc** command options are supported in the central manager device mode only.

The **show debugging** command displays only the type of debugging enabled, not the specific subset of the command.

Examples The following is sample output from the **show debugging** command:

```
WAE# debug tfo buffer-mgr
WAE# debug tfo connection
WAE# show debugging
tfo bufmgr debugging is on
tfo compmgr debugging is on
tfo connmgr debugging is on
tfo netio debugging is on
tfo statmgr debugging is on
tfo translog debugging is on
```

In this example, the **debug tfo buffer-mgr** and the **debug tfo connection** commands coupled with the **show debugging** command display the states of **tfo buffer-mgr** and **tfo connection** debugging options.

Related Commands [debug all](#)

show device-id

To display the device ID of a WAAS device, use the **show device-id EXEC** command.

show device-id

Syntax Description This command has no arguments or keywords.

Defaults No default behavior or values.

Command Modes EXEC

Device Modes application-accelerator

Examples This command displays the device ID, as follows:

```
WAE# show device-id  
System Device ID is: 00:1a:64:f2:22:37
```

Related Commands [\(config\) peer](#)

show device-mode

To display the configured or current device mode of a WAAS device, use the **show device-mode EXEC** command.

```
show device-mode { configured | current }
```

Syntax Description	configured	Displays the configured device mode, which has not taken effect yet.
	current	Displays the current device mode.

Defaults No default behavior or values.

Command Modes EXEC

Device Modes application-accelerator
central-manager

Usage Guidelines To display the configured device mode that has not yet taken effect, enter the **show device-mode configured EXEC** command. For example, if you had entered the **device mode central-manager** global configuration command on a WAAS device to change its device mode to central manager but have not yet entered the **copy run start EXEC** command to save the running configuration on the device, then if you were to enter the **show device-mode configured** command on the WAAS device, the command output would indicate that the configured device mode is central-manager.

Examples The following is sample output from the **show device mode** command. It displays the current mode in which the WAAS device is operating.

```
WAE# show device-mode current
```

```
Current device mode: application-accelerator
```

[Table 3-34](#) describes the field in the **show device-mode current** command display.

Table 3-34 Field Description for the show device-mode current Command

Field	Description
Current device mode	Current mode in which the WAAS device is operating.

The following is sample output from the **show device configured** command. It displays the configured device mode that has not yet taken effect.

```
WAE# show device-mode configured
```

```
Configured device mode: central-manager
```

Table 3-35 describes the field in the **show device-mode configured** command display.

Table 3-35 *Field Description for the show device-mode configured Command*

Field	Description
Configured device mode	Device mode that has been configured, but has not yet taken effect.

Related Commands

(config) device mode

show directed-mode

To view the status and port assigned to directed mode on a device, use the **show directed-mode EXEC** command.

show directed-mode

Syntax Description This command has no arguments or keywords.

Defaults No default behavior or values.

Command Modes EXEC

Device Modes application-accelerator

Examples The following is sample output from the **show directed-mode EXEC** command:

```
WAE# show directed-mode
```

```
Configuration Status: Enabled
Config Item           Mode           Value
-----
UDP port              Default        4050
```

This example shows that directed mode is enabled and it is using UDP port 4050.

Related Commands

- [show statistics directed-mode](#)
- [show statistics connection closed](#)
- [\(config\) directed-mode](#)

show disks

To view information about the WAAS device disks, use the **show disks** EXEC command.

```
show disks { details | failed-disk-id | failed-sectors [disk_name] | tech-support [details]}
```

Syntax Description		
details		Displays currently effective configurations with more details.
failed-disk-id		Displays a list of disk serial numbers that have been identified as failed. Note This option is not available on WAE-7341 and WAE-7371 models.
failed-sectors		Displays a list of failed sectors on all the disks.
<i>disk_name</i>		(Optional) Name of the disk for which failed sectors are displayed (disk00 or disk01).
tech-support		Displays hard drive diagnostic information and information about impending disk failures. Displays all available information from the RAID controller, including disk status (logical and physical), disk vendor ID, and serial numbers. This command replaces the show disk smart-info EXEC command.
details		(Optional) Displays more detailed SMART disk monitoring information.

Defaults No default behavior or values.

Command Modes EXEC

Device Modes application-accelerator
central-manager

Usage Guidelines The **show disks details** EXEC command displays the percentage or amount of disk space allocated to each file system, and the operational status of the disk drives, after reboot.

The WAAS software supports filtering of multiple syslog messages for a single, failed section on IDE, SCSI, and SATA disks.

Proactively Monitoring Disk Health with SMART

The ability to proactively monitor the health of disks is available using SMART. SMART provides you with hard drive diagnostic information and information about impending disk failures.

SMART is supported by most disk vendors and is a standard method used to determine how healthy a disk is. SMART attributes include several read-only attributes (for example, the power on hours attribute, the load and unload count attribute) that provide the WAAS software with information regarding the operating and environmental conditions that may indicate an impending disk failure.

SMART support is vendor and drive technology (IDE, SCSI, and Serial Advanced Technology Attachment [SATA] disk drive) dependent. Each disk vendor has a different set of supported SMART attributes.

Even though SMART attributes are vendor dependent there is a common way of interpreting most SMART attributes. Each SMART attribute has a normalized current value and a threshold value. When the current value exceeds the threshold value, the disk is considered to have “failed.” The WAAS software monitors the SMART attributes and reports any impending failure through syslog messages, SNMP traps, and alarms.

To display SMART information, use the **show disks tech-support EXEC** command. To display more detailed SMART information, enter the **show disks tech-support details EXEC** command. The output from the **show tech-support EXEC** command also includes SMART information.

Examples

The following is sample output from the **show disks failed-sectors** command. It displays a list of failed sectors on all disk drives.

```
WAE# show disks failed-sectors
disk00
=====
89923
9232112

disk01
=====
(None)
```

The following is sample output from the **show disks failed-sectors** command when you specify a disk drive. It displays a list of failed sectors for disk01.

```
WAE# show disks failed-sectors disk01
disk01
=====
(None)
```

If there are disk failures, a message is displayed, notifying you about this situation when you log in.

[Table 3-36](#) describes the fields shown in the **show disks failed-disk-id** command display.

Table 3-36 Field Description for the **show disks failed-disk-id** Command

Field	Description
Diskxx	Number and location of the physical disk.
<i>Alpha-numeric string</i>	Serial number of the disk.

[Table 3-37](#) describes the fields shown in the **show disks details** command display.

Table 3-37 *Field Descriptions for the show disks details Command*

Field	Description
Physical disk information or RAID Physical disk information	Lists the disks by number. On RAID-5 systems, this field is called RAID Physical disk information.
disk00	Availability of the disk: Present, Not present or Not responding, Not used (*), or Online (for RAID-5 disks). Disk identification number and type, for example: (h00 c00i00 100 - DAS). Disk size in megabytes and gigabytes, for example: 140011MB (136.7GB).
disk01	Same type of information is shown for each disk.
RAID Logical drive information	RAID-5 logical drive status and error conditions. (Only shown for RAID-5 systems.)
Mounted filesystems	Table containing the following column heads:
Mount point	Mount point for the file system. For example, the mount point for SYSFS is /local/local1.
Type	Type of the file system. Values include root, internal, CONTENT, SYSFS, and PRINTSPOOL.
Device	Path to the partition on the disk.
Size	Total size of the file system in megabytes.
Inuse	Amount of disk space being used by the file system.
Free	Amount of unused disk space for the file system.
Use%	Percentage of the total available disk space being used by the file system.
Software RAID devices	If present, lists the software RAID devices and provides the following information for each:
Device name	Path to the partition on the disk. The partition name "md1" indicates that the partition is a RAIDed partition and that the RAID type is RAID-1.
Type	Type of RAID, for example RAID-1.
Status	Operational status of the RAID device. Status may contain NORMAL OPERATION or REBUILDING.
Physical devices and status	Disk number and operational status of the disk, such as [GOOD] or [BAD].
Disk encryption status	Indicates whether the disk encryption feature is enabled or disabled.
Disk object cache extend status	Indicates whether the extended object cache feature is enabled or disabled.

The following is sample output from the **show disks tech-support** command. The output shows that partition 04 and partition 05 on disks disk00 and disk01 are GOOD, and the RAIDed partitions /dev/md4 & /dev/md5 are in NORMAL OPERATION. However, the RAIDed partition /dev/md8 has an issue with one of the drives. Disk04 with partition 00 is GOOD, but the status shows ONE OR MORE DRIVES ABNORMAL because there is no pair on this partition.

```
WAE# show disks tech-support
/dev/md4      RAID-1   NORMAL OPERATION      disk00/04 [GOOD]
disk01/04 [GOOD]
/dev/md5      RAID-1   NORMAL OPERATION      disk00/05 [GOOD]
disk01/05 [GOOD]
...
/dev/md8      RAID-1   ONE OR MORE DRIVES ABNORMAL  disk04/00 [GOOD]
```

Table 3-38 describes some typical fields in the **show disks tech-support** command display for a RAID-1 appliance that supports SMART. SMART attributes are vendor dependent; each disk vendor has a different set of supported SMART attributes.

Table 3-38 Field Descriptions for the **show disks tech-support** Command (RAID-1)

Field	Description
disk00—disk05	WAE 7300 series appliances show information for 6 disk drives, and WAE 500 and 600 series appliances show information for 2 disk drives.
Device	Vendor number and version number of the disk.
Serial Number	Serial number for the disk.
Device type	Type of device is disk.
Transport protocol	Physical layer connector information, for example: Parallel SCSI (SPI-4).
Local time is	Day of the week, month, date, time hh:mm:ss, year, clock standard. For example, Mon Mar 19 23:33:12 2007 UTC.
Device supports SMART and is Enabled	Status of SMART support: Enabled or Disabled.
Temperature Warning Enabled	Temperature warning status: Enabled or Disabled.
SMART Health Status:	Health status of the disk: OK or Failed.

Table 3-39 describes the fields shown in the **show disks tech-support** command display for a RAID-5 appliance.

Table 3-39 Field Descriptions for the **show disks tech-support** Command (RAID-5)

Field	Description
Controllers found	Number of RAID controllers found.
Controller information	
Controller Status	Functional status of the controller.
Channel description	Description of the channel transport protocols.
Controller Model	Make and model of the controller.
Controller Serial Number	Serial number of the ServeRAID controller.

Table 3-39 Field Descriptions for the *show disks tech-support* Command (RAID-5)

Field	Description
Physical Slot	Slot number.
Installed memory	Amount of memory for the disk.
Copyback	Status of whether copyback is enabled or disabled.
Data scrubbing	Status of whether data scrubbing is enabled or disabled.
Defunct disk drive count	Number of defunct disk drives.
Logical drives/Offline/Critical	Number of logical drives, number of drives that are offline, and number of critical alarms.
Controller Version Information	
BIOS	Version number of the BIOS.
Firmware	Version number of the Firmware.
Driver	Version number of the Driver.
Boot Flash	Version number of the Boot Flash.
Controller Battery Information	
Status	Functional status of the controller battery.
Over temperature	Over temperature condition of the battery.
Capacity remaining	Percent of remaining battery capacity.
Time remaining (at current draw)	Number of days, hours, and minutes of battery life remaining based on the current draw.
Controller Vital Product Data	
VPD Assigned#	Number assigned to the controller vital product data (VPD).
EC Version#	Version number.
Controller FRU#	Number assigned to the controller field-replaceable part.
Battery FRU#	Number assigned to the battery field-replaceable part.
Logical drive information	
Logical drive number	Number identifying the logical drive to which the information applies.
Logical drive name	Name of the logical drive.
RAID level	RAID level of the logical drive.
Status of logical drive	Functional status of the logical drive.
Size	Size (in megabytes) of the logical drive.
Read-cache mode	Configuration status of read-cache mode: Enabled or Disabled.
Write-cache mode	Configuration status of write-cache mode for write-back: Enabled or Disabled.
Write-cache setting	Configuration status of the write-cache setting for write-back: Enabled or Disabled.
Partitioned	Partition state. Values are Yes or No.
Number of chunks	Number of disks participating in the RAID-5 array.

Table 3-39 Field Descriptions for the `show disks tech-support Command (RAID-5)`

Field	Description
Stripe-unit size	Amount of data storage per stripe unit. The default is 256 KB per disk in the logical array. This parameter is not configurable.
Stripe order (Channel,Device)	Order in which data is striped across a group of physical drives that are grouped in a RAID array.
Bad stripes	Flag for bad stripes. Flag values are Yes or No.
Physical drive information	
Device #	Device number for which the information applies.
Device is a xxxx	Type of device.
State	State of the device: Online or Offline.
Supported	Status showing if the device is supported.
Transfer Speed	Device transfer speed.
Reported Channel,Device	Provides channel information for all the disks participating in the RAID-5 array.
Reported Enclosure,Slot	Device number and slot number.
Vendor	Vendor identification number.
Model	Model number.
Firmware	Firmware number.
Serial number	Serial number.
Size	Size (in megabytes) of the physical drive.
Write Cache	Status of whether the write cache is enabled.
FRU	Field Replaceable Unit number. A RAID defunct drive FRU event occurs when a specified hard disk drive with the provided FRU number fails in a RAID configuration. The default value for this field is NONE.
PFA	Predictive Failure Analysis flag. The flag default value is No. If the RAID predicts a drive failure, this field is set to Yes and a critical alarm is raised on the WAE.

[Table 3-40](#) describes the fields in the `show disks tech-support details` command display for a RAID-1 appliance that supports SMART. Details in this display depend on the drive manufacturer and vary between drives.

Table 3-40 Field Descriptions for the `show disks tech-support details Command`

Field	Description
disk00—disk05	WAE 7300 series appliances show information for 6 disk drives and WAE 500 and 600 series appliances show information for 2 disk drives.
Device	Vendor number and version number of the disk.
Serial Number	Serial number for the disk.
Device type	Type of device is disk.

Table 3-40 *Field Descriptions for the show disks tech-support details Command (continued)*

Field	Description
Transport protocol	Physical layer connector information, for example: Parallel SCSI (SPI-4).
Local time is	Day of the week, month, date, time hh:mm:ss, year, clock standard. For example, Mon Mar 19 23:33:12 2007 UTC.
Device supports SMART and is Enabled	Status of SMART support: Enabled or Disabled.
Temperature Warning Enabled	Temperature warning status: Enabled or Disabled.
SMART Health Status:	Health status of the disk: OK or Failed.
Current Drive Temperature	Temperature of the drive in degrees Celsius.
Manufactured in week XX of year	Manufacturing details.
Current start stop count	Number of times the device has stopped or started.
Recommended maximum start stop count	Maximum recommended count used to gauge the life expectancy of the disk.
Error counter log	Table displaying the error counter log. Counters for various types of disk errors.

Related Commands[disk](#)[\(config\) disk error-handling](#)[show tech-support](#)

show egress-methods

To view the egress method that is configured and that is being used on a particular WAE, use the **show egress-methods EXEC** command.

show egress-methods

Syntax Description This command has no arguments or keywords.

Defaults No default behavior or values.

Command Modes EXEC

Device Modes application-accelerator

Examples [Table 3-41](#) describes the fields shown in the **show egress-methods** command display.

Table 3-41 *Field Descriptions for the show egress-methods Command*

Field	Description
Intercept method	Intercept method used by router to send packets to the WAE.
TCP Promiscuous 61 or 62	WCCP service number.
WCCP negotiated return method	WCCP return method being used by the router. Values include WCCP_GRE, WCCP_L2, NEG_RTN_PENDING (negotiation is pending), and UNKNOWN.
Destination	This value is not configurable. The value of this field is always ANY.
Egress Method Configured	Egress method configured in the CLI.
Egress Method Used	Egress method being used.

Related Commands [show tfo tcp](#)
[\(config\) egress-method](#)

show filtering list

To display information about the incoming and outgoing TFO flows that the WAE currently has, use the **show filtering list EXEC** command.

```
show filtering list [| { begin regex [regex] | exclude regex [regex] | include regex [regex] } ] [| { begin regex [regex] | exclude regex [regex] | include regex [regex] } ]
```

Syntax Description		
list	(Optional) Lists TCP flows that the WAE is currently optimizing or passing through.	
 	(Optional) Output modifier.	
begin <i>regex</i>	Begins with the line that matches the regular expression. You can enter multiple expressions.	
exclude <i>regex</i>	Excludes lines that match the regular expression. You can enter multiple expressions.	
include <i>regex</i>	Includes lines that match the regular expression. You can enter multiple expressions.	

Defaults No default behavior or values.

Command Modes EXEC

Device Modes application-accelerator

Usage Guidelines The **show filtering list** command lists TCP flows that the WAE is currently optimizing. It also includes TCP flows that are not being optimized but that are being passed through by the WAE. A “P” in the State column indicates a passed through flow.

Examples The following is sample output from the **show filtering list** command. It displays TFO connection information for the WAE.

```
WAE# show filtering list
E: Established, S: Syn, A: Ack, F: Fin, R: Reset
s: sent, r: received, O: Options, P: Passthrough
B: Bypass, L: Last Ack, W: Time Wait, D: Done
T: Timedout, C: Closed

      Local-IP:Port      Remote-IP:Port      Tuple(Mate)      State
10.99.11.200:1398      10.99.22.200:80      0xcba709c0(0xcba70a00)      E
10.99.11.200:1425      10.99.22.200:80      0xcba70780(0xcba707c0)      E
10.99.11.200:1439      10.99.22.200:5222      0xcba703c0(0xcba70b40)      Sr
10.99.11.200:1440      10.99.22.200:5222      0xcba70400(0xcba70440)      Sr
10.99.22.200:1984      10.99.11.200:80      0xcba70600(0xcba70640)      E
10.99.22.200:1800      10.99.11.200:23      0xcba70480(0x0      )      PE
10.99.11.200:1392      10.99.22.200:80      0xcba70f80(0x0      )      E
```

show filtering list

```

10.99.22.200:20      10.99.11.200:1417  0xcba701c0(0xcba70180)  E
10.99.11.200:1417  10.99.22.200:20    0xcba70180(0x0         )  E
10.99.22.200:1987  10.99.11.200:80    0xcba70240(0xcba70200)  E
10.99.11.200:1438  10.99.22.200:5222  0xcba70900(0xcba70580)  Sr
10.99.22.200:1990  10.99.11.200:80    0xcba70100(0xcba70140)  E
10.99.22.200:80    10.99.11.200:1426  0xcba70740(0xcba70700)  E
10.99.22.200:80    10.99.11.200:1425  0xcba707c0(0xcba70780)  E
10.99.22.200:1985  10.99.11.200:80    0xcba70a40(0xcba70a80)  E
10.99.22.200:80    10.99.11.200:1410  0xcba70500(0xcba70540)  E
10.99.22.200:80    10.99.11.200:1398  0xcba70a00(0xcba709c0)  E
10.99.22.200:80    10.99.11.200:1392  0xcba70f40(0xcba70f80)  E
10.0.19.5:54247    10.1.242.5:80      0xc9e5b400(0xc9e5b100)  ED

```



Note

The “ED” state occurs when one socket in the pair is closed (D), but the mate is still established (E).

Related Commands

[show accelerator](#)

[show statistics filtering](#)

[show statistics auto-discovery](#)

[show statistics connection closed](#)

show flash

To display the flash memory version and usage information for a WAAS device, use the **show flash EXEC** command.

show flash

Syntax Description This command has no arguments or keywords.

Defaults No default behavior or values.

Command Modes EXEC

Device Modes application-accelerator
central-manager

Examples [Table 3-42](#) describes the fields shown in the **show flash** command display.

Table 3-42 *Field Descriptions for the show flash Command*

Field	Description
WAAS software version (disk-based code)	WAAS software version and build number that is running on the device.
System image on flash:	
Version	Version and build number of the software that is stored in flash memory.
System flash directory:	
System image	Number of sectors used by the system image.
Bootloader, rescue image, and other reserved areas	Number of sectors used by the bootloader, rescue image, and other reserved areas.
XX sectors total, XX sectors free	Total number of sectors. Number of free sectors.

show hardware

To display system hardware status for a WAAS device, use the **show hardware** EXEC command.

show hardware

Syntax Description This command has no arguments or keywords.

Defaults No default behavior or values.

Command Modes EXEC

Device Modes application-accelerator
central-manager

Usage Guidelines The **show hardware** command lists the system hardware status, including the version number, the startup date and time, the run time since startup, the microprocessor type and speed, the amount of physical memory available, and a list of disk drives.

Examples [Table 3-43](#) describes the fields shown in the **show hardware** command display.

Table 3-43 Field Descriptions for the show hardware Command

Field	Description
Cisco Wide Area Application Services Software (WAAS) Copyright (c) year by Cisco Systems, Inc. Cisco Wide Area Application Services Software Release XXX (build bXXX month day year)	Software application, copyright, release, and build information.
Version	Version number of the software that is running on the device.
Compiled hour:minute:second month day year by cnbuild	Compile information for the software build.
Device Id	The device ID.
System was restarted on day of week month day hour:minute:second year	Date and time that the system was last restarted.
The system has been up for X hours, X minutes, X seconds	Length of time the system has been running since the last reboot.
CPU 0 is	CPU manufacturer information.

Table 3-43 Field Descriptions for the show hardware Command (continued)

Field	Description
Total X CPU	Number of CPUs on the device.
XXXX Mbytes of Physical memory	Number of megabytes of physical memory on the device.
X CD ROM drive	Number of CD-ROM drives on the device.
X GigabitEthernet interfaces	Number of Gigabit Ethernet interfaces on the device.
X InlineGroup interfaces	Number of InlineGroup interfaces on the device.
X Console interface	Number of console interfaces on the device.
Manufactured As	Product identification information.
BIOS Information	Information about the BIOS.
Vendor	Name of the BIOS vendor.
Version	BIOS version number.
Rel. Date	(Release date) Date that the BIOS was released.
Cookie info	
SerialNumber	Serial number of the WAE.
SerialNumber (raw)	Serial number of the WAE as an ASCII value.
TestDate	Date that the WAE was tested.
ExtModel	Hardware model of the device, for example WAE612.
ModelNum (raw)	Internal model number (ASCII value) that corresponds to the ExtModel number.
HWVersion	Number of the current hardware version.
PartNumber	Not implemented.
BoardRevision	Number of revisions for the current system board.
ChipRev	Number of revisions for the current chipset.
VendID	Vendor ID of the cookie.
CookieVer	Version number of the cookie.
Chksum	Checksum of the cookie. showing whether the cookie is valid.
List of all disk drives	
Physical disk information	Disks listed by number. WAE 7300 series appliances show information for 6 disk drives and WAE 500 and 600 series appliances show information for 2 disk drives.
disk00	Availability of the disk: Present, Not present or not responding, or Not used (*). Disk identification number and type, for example:(h00 c00i00 100 - DAS). Disk size in megabytes and gigabytes, for example: 140011MB (136.7GB).
disk01	Same type of information is shown for each disk.
Mounted filesystems	Table containing the following column heads:

Table 3-43 Field Descriptions for the show hardware Command (continued)

Field	Description
Mount point	Mount point for the file system. For example the mount point for SYSFS is /local/local1.
Type	Type of the file system. Values include root, internal, CONTENT, SYSFS, and PRINTSPOOL.
Device	Path to the partition on the disk.
Size	Total size of the file system in megabytes.
Inuse	Amount of disk space being used by the file system.
Free	Amount of unused disk space for the file system.
Use%	Percentage of the total available disk space being used by the file system.
Software RAID devices	If present, lists the software RAID devices and provides the following information for each:
Device name	Path to the partition on the disk. The partition name “md1” indicates that the partition is a RAIDed partition and that the RAID type is RAID-1. (RAID-1 is the only RAID type supported in WAAS.)
Type	Type of RAID, for example RAID-1.
Status	Operational status of the RAID device. Status may contain NORMAL OPERATION or REBUILDING.
Physical devices and status	Disk number and operational status of the disk, such as [GOOD] or [BAD].

Related Commands[show disks](#)[show version](#)

show hosts

To view the hosts on a WAAS device, use the **show hosts** EXEC command.

show hosts

Syntax Description This command has no arguments or keywords.

Defaults No default behavior or values.

Command Modes EXEC

Device Modes application-accelerator
central-manager

Usage Guidelines The **show hosts** command lists the name servers and their corresponding IP addresses. It also lists the hostnames, their corresponding IP addresses, and their corresponding aliases (if applicable) in a host table summary.

Examples [Table 3-44](#) describes the fields shown in the **show hosts** command display.

Table 3-44 *field Descriptions for the show hosts Command*

Field	Description
Domain names	Domain names used by the WAE to resolve the IP address.
Name Server(s)	IP address of the DNS name server or servers.
Host Table	
hostname	FQDN (hostname and domain) of the current device.
inet address	IP address of the current host device.
aliases	Name configured for the current device based on the host global configuration command.

Related Commands [\(config\) ip hosts](#)

show inetd

To display the status of TCP/IP services on a WAAS device, use the **show inetd** EXEC command.

show inetd

Syntax Description This command has no arguments or keywords.

Defaults No default behavior or values.

Command Modes EXEC

Device Modes application-accelerator
central-manager

Usage Guidelines The **show inetd** EXEC command displays the enabled or disabled status of TCP/IP services on the WAAS device. You can ignore the TFTP service status because TFTP is not supported on WAAS.

Examples [Table 3-45](#) describes the fields shown in the **show inetd** command display.

Table 3-45 *Field Descriptions for the show inetd Command*

Field	Description
Inetd service configurations:	
ftp	Status of whether the FTP service is enabled or disabled.
rcp	Status of whether the RCP service is enabled or disabled.
tftp	Status of whether the TFTP service is enabled or disabled.

Related Commands [\(config\) inetd](#)

show interface

To display the hardware interface information for a WAAS device, use the **show interface EXEC** command.

```
show interface { GigabitEthernet slot/port } | { ide control_num } | { InlineGroup slot/grpnumber }
| { InlinePort slot/grpnumber / { lan | wan } } | { PortChannel port-num } | { scsi device_num }
| { standby 1 }
```

Syntax Description		
GigabitEthernet <i>slot/port</i>		Displays the Gigabit Ethernet interface device information (only on suitably equipped systems). Slot and port number for the Gigabit Ethernet interface. The slot range is 0–3; the port range is 0–3. The slot number and port number are separated with a forward slash character (/).
ide <i>control_num</i>		Displays the IDE interface device information (controller number 0–1).
InlineGroup <i>slot/grpnumber</i>		Displays the inline group information. Slot and inline group number for the selected interface.
InlinePort		Displays the inline port information. Slot and inline group number for the selected interface.
lan		Displays the inline port information for the LAN port.
wan		Displays the inline port information for the WAN port.
PortChannel <i>port-num</i>		Displays the port channel interface device information (number 1).
scsi <i>device_num</i>		Displays the SCSI interface device information (number 0–7). (Not applicable on WAAS devices.)
standby 1		Displays the standby group information.

Defaults No default behavior or values.

Command Modes EXEC

Device Modes application-accelerator
central-manager

Examples The following is sample output from the **show interface** command. It displays information for inlineGroup 0 in slot 1 configured on the WAE inline network adapter.

```
WAE612# show interface inlineGroup 1/0
Interface is in intercept operating mode.
Standard NIC mode is off.
Disable bypass mode is off.
VLAN IDs configured for inline interception: All
Watchdog timer is enabled.
Timer frequency: 1600 ms.
Autoreset frequency 500 ms.
The watchdog timer will expire in 1221 ms.
```

Table 3-46 describes the fields shown in the **show interface GigabitEthernet** command display.

Table 3-46 Field Descriptions for the show interface GigabitEthernet Command

Field	Description
Description	Description of the device, as configured by using the description option of the interface global configuration command.
Type	Type of interface. Always Ethernet.
Ethernet address	Layer-2 MAC address.
Internet address	Internet IP address configured for this interface.
Broadcast address	Broadcast address configured for this interface.
Netmask	Netmask configured for this interface.
Maximum Transfer Unit Size	Current configured MTU value.
Metric	Metric setting for the interface. The default is 1. The routing metric is used by the routing protocol to determine the most favorable route. Metrics are counted as additional hops to the destination network or host; the higher the metric value, the less favorable the route.
Packets Received	Total number of packets received by this interface.
Input Errors	Number of incoming errors on this interface.
Input Packets Dropped	Number of incoming packets that were dropped on this interface.
Input Packets Overruns	Number of incoming packet overrun errors.
Input Packets Frames	Number of incoming packet frame errors.
Packet Sent	Total number of packets sent from this interface.
Output Errors	Number of outgoing packet errors.
Output Packets Dropped	Number of outgoing packets that were dropped by this interface.
Output Packets Overruns	Number of outgoing packet overrun errors.
Output Packets Carrier	Number of outgoing packet carrier errors.
Output Queue Length	Output queue length in bytes.
Collisions	Number of packet collisions at this interface.
Interrupts	Number of packet interrupts at this interface.
Base address	Base address (hexidecimal value).
Flags	Interface status indicators. Values include Up, Broadcast, Running, and Multicast.
Link State	Interface and link status.
Mode	Speed setting, transmission mode, and transmission speed for this interface.

Table 3-47 describes the fields shown in the **show interface InlinePort** command display.

Table 3-47 Field Descriptions for the show interface InlinePort Command

Field	Description
Device name	Number identifier for this inlineport interface, such as eth0, eth1, and so forth.
Packets Received	Total number of packets received on this inlineport interface.
Packets Intercepted	Total number of packets intercepted. (Only TCP packets are intercepted.)
Packets Bridged	Number of packets that are bridged. Packets which are not intercepted are bridged.
Packets Forwarded	Number of packets sent from the inline interface.
Packets Dropped	Number of packets dropped.
Packets Received on native	Number of packets forwarded by the inline module that are received on the native (GigabitEthernet 1/0) interface.
<i>n</i> flows through this interface	Number of active TCP connections on this inlineport interface.
Ethernet Driver Status	
Type	Type of interface. Always Ethernet.
Ethernet address	Layer-2 MAC address.
Internet address	IP address (for WAN port only).
Broadcast address	Broadcast address (for WAN port only).
Netmask	Subnet mask (for WAN port only).
Maximum Transfer Unit Size	Current configured MTU value.
Metric	Metric setting for the interface. The default is 1. The routing metric is used by the routing protocol to determine the most favorable route. Metrics are counted as additional hops to the destination network or host; the higher the metric value, the less favorable the route.
Packets Received	Total number of packets received by this interface.
Input Errors	Number of incoming errors on this interface.
Input Packets Dropped	Number of incoming packets that were dropped on this interface.
Input Packets Overruns	Number of incoming packet overrun errors.
Input Packets Frames	Number of incoming packet frame errors.
Packet Sent	Total number of packets sent from this interface.
Output Errors	Number of outgoing packet errors.
Output Packets Dropped	Number of outgoing packets that were dropped by this interface.
Output Packets Overruns	Number of outgoing packet overrun errors.
Output Packets Carrier	Number of outgoing packet carrier errors.
Output Queue Length	Output queue length in bytes.
Collisions	Number of packet collisions at this interface.

Table 3-47 Field Descriptions for the show interface InlinePort Command (continued)

Field	Description
Base address	Base address. hexadecimal value.
Flags	Interface status indicators. Values include Up, Broadcast, Running, and Multicast.
Link State	Interface and link status.
Mode	Speed setting, transmission mode, and transmission speed for this interface.

Table 3-48 describes the fields shown in the **show interface PortChannel** command display.

Table 3-48 Field descriptions for the show interface PortChannel Command

Field	Description
Type	Type of interface. Always Ethernet.
Ethernet address	Layer-2 MAC address.
Maximum Transfer Unit Size	Current configured MTU value.
Metric	Metric setting for the interface. The default is 1. The routing metric is used by the routing protocol. Higher metrics have the effect of making a route less favorable; metrics are counted as addition hops to the destination network or host.
Packets Received	Total number of packets received by this interface.
Input Errors	Number of incoming errors on this interface.
Input Packets Dropped	Number of incoming packets that were dropped on this interface.
Input Packets Overruns	Number of incoming packet overrun errors.
Input Packets Frames	Number of incoming packet frame errors.
Packet Sent	Total number of packets sent from this interface.
Output Errors	Number of outgoing packet errors.
Output Packets Dropped	Number of outgoing packets that were dropped by this interface.
Output Packets Overruns	Number of outgoing packet overrun errors.
Output Packets Carrier	Number of outgoing packet carrier errors.
Output Queue Length	Output queue length in bytes.
Collisions	Number of packet collisions at this interface.
Flags	Interface status indicators. Values include Up, Broadcast, Running, and Multicast.
Link State	Interface and link status.

Table 3-49 describes the fields shown in the **show interface standby** command display.

Table 3-49 Field Descriptions for the **show interface standby** Command

Field	Description
Description	Description of the device, as configured by using the description option of the interface global configuration command.
Interface Standby 1	Number that identifies the standby group and the number of associated physical interfaces.
Member interfaces	Member interfaces of the standby group. Shows which physical interfaces are part of the standby group. Shows the interface definition, such as GigabitEthernet 1/0, and indicates if the interface is active (has an active layer 2 connection to a switch), primary (configured as primary in the running configuration), and in use (carrying network traffic).
Type	Type of interface. Always Ethernet.
...	The following fields are the same as for a gigabit Ethernet interface, as shown in Table 3-46.

Related Commands

(config) interface GigabitEthernet

show running-config

show startup-config

show inventory

To display the system inventory information for a WAAS device, use the **show inventory EXEC** command.

show inventory

Syntax Description This command has no arguments or keywords.

Defaults No default behavior or values.

Command Modes EXEC

Device Modes application-accelerator
central-manager

Usage Guidelines The **show inventory EXEC** command allows you to view the UDI for a WAAS device. This identity information is stored in the nonvolatile memory of the WAAS device.

The UDI is electronically accessed by the product operating system or network management application to enable identification of unique hardware devices. The data integrity of the UDI is vital to customers. The UDI that is programmed into the nonvolatile memory of the WAAS device is equivalent to the UDI that is printed on the product label and on the carton label. This UDI is also equivalent to the UDI that can be viewed through any electronic means and in all customer-facing systems and tools. Currently, there is only CLI access to the UDI; there is no SNMP access to the UDI information.

You can also use the **show tech-support EXEC** command to display the WAAS device UDI.

Examples [Table 3-50](#) describes the fields shown in the **show inventory** command display.

Table 3-50 Field Descriptions for the show inventory Command

Field	Description
PID	Product identification (ID) number of the device.
VID	Version ID number of the device. Displays as 0 if the version number is not available.
SN	Serial number of the device.

Related Commands [show tech-support](#)

show ip access-list

To display the access lists that are defined and applied to specific interfaces or applications on a WAAS device, use the **show ip access-list EXEC** command.

```
show ip access-list [acl-name | acl-num]
```

Syntax Description		
<i>acl-name</i>	(Optional) Information for a specific access list, using an alphanumeric identifier up to 30 characters, beginning with a letter.	
<i>acl-num</i>	(Optional) Information for a specific access list, using a numeric identifier (0–99 for standard access lists and 100–199 for extended access lists).	

Defaults Displays information about all defined access lists.

Command Modes EXEC

Device Modes application-accelerator
central-manager

Usage Guidelines Use the **show ip access-list EXEC** command to display the access lists that have been defined on the WAAS device. Unless you identify a specific access list by name or number, the system displays information about all the defined access lists, including the following sections:

- Available space for new lists and conditions
- Defined access lists
- References by interface and application

Interception access lists are shown under the Application access list references section.

Examples [Table 3-51](#) describes the fields shown in the show **ip access-list** command display.

Table 3-51 Field Descriptions for the show ip access-list Command

Field	Description
Space available:	
XX access lists	Number of access lists remaining out of 50 maximum lists allowed.
XXX access list conditions	Number of access list conditions remaining out of 500 maximum conditions allowed.
Standard IP access list	Name of a configured standard IP access list. Displays a list of the conditions configured for this list.

Table 3-51 Field Descriptions for the show ip access-list Command (continued)

Field	Description
Extended IP access list	Name of a configured extended IP access list. Displays a list of the conditions configured for this list.
Interface access list references	List of interfaces and the access lists with which they are associated, displayed in the following format: <i>interface slot/port</i> <i>interface direction</i> <i>access list number</i>
Application access list references	List of applications and the access lists with which they are associated, displayed in the following format: <i>application type</i> <i>access list type and number</i> <i>associated port</i>

Related Commands

clear arp-cache
(config) interception access-list
(config) ip access-list

show ip routes

To display the IP routing table for a WAAS device, use the **show ip routes** EXEC command.

show ip routes

Syntax Description This command has no arguments or keywords.

Defaults No default behavior or values.

Command Modes EXEC

Device Modes application-accelerator
central-manager

Usage Guidelines The **show ip routes** command displays the IP route table, which lists all of the different routes that are configured on the WAE. The WAE uses this table to determine the next hop. This table includes routes from three sources: the WAE GigabitEthernet interfaces, any user-configured static routes, and the default gateway. The last line in this table shows the default route.

Examples [Table 3-52](#) describes the fields shown in the **show ip routes** command display.

Table 3-52 *Field Descriptions for the show ip routes Command*

Field	Description
Destination	Destination IP addresses for each route.
Gateway	Gateway addresses for each route.
Netmask	Netmasks for each route.
Number of route cache entries	Number of entries in the route cache. The route cache is a separate entity and this field is not associated with the entries in the IP route table. The number of entries in the route cache can vary depending on the number of connections that are open.

Related Commands [\(config\) ip](#)
[\(config-if\) ip](#)

show kdump

To display the kernel crash dump information for a WAAS device, use the **show kdump EXEC** command.

show kdump

Syntax Description This command has no arguments or keywords.

Defaults No default behavior or values.

Command Modes EXEC

Device Modes application-accelerator
central-manager

Examples [Table 3-53](#) describes the fields shown in the **show kdump** command display.

Table 3-53 *Field Descriptions for the show kdump Command*

Field	Description
Kdump state	Enabled or not enabled.
Kdump operation	Operational or not operational.
Kdump installed	If the kdump package is not installed, this line alerts you.
Kdump crashkernel	Crash kernel information (Memory @ Base Address).

Related Commands [\(config\) kernel kdump](#)
[\(config\) logging console](#)

show kerberos

To display the Kerberos authentication configuration for a WAAS device, use the **show kerberos EXEC** command.

show kerberos

Syntax Description This command has no arguments or keywords.

Defaults No default behavior or values.

Command Modes EXEC

Device Modes application-accelerator
central-manager

Examples [Table 3-54](#) describes the fields shown in the **show kerberos** command display.

Table 3-54 *Field Descriptions for the show kerberos Command*

Field	Description
Kerberos Configuration	
Local Realm	Local realm name.
DNS suffix	DNS suffix for the realm.
Realm for DNS suffix	DNS addresses of the computers that are part of this realm.
Name of host running KDC for realm	Name of the host running the Key Distribution Center for the realm.
Master KDC	Primary or main Key Distribution Center.
Port	Port that the Kerberos server is using for incoming requests from clients. The default is port 88.

Related Commands [clear arp-cache](#)
[\(config\) logging console](#)

show key-manager

To display the key manager information for a WAAS device, use the **show key-manager EXEC** command.

```
show key-manager {key-token | status}
```

Syntax Description	key-token	Displays the encryption key token for each registered WAE device.
	status	Displays the encryption status for each registered WAE device.

Defaults No default behavior or values.

Command Modes EXEC

Device Modes central-manager

Examples [Table 3-55](#) describes the fields shown in the **show key-manager key-token** command display. The set of fields is displayed for each key used on each WAE registered to the Central Manager.

Table 3-55 *Field Descriptions for the show key-manager key-token Command*

Field	Description
WAE Device	WAE device name.
Key Token	The encryption token.
Creation Time	Time the encryption key was created.
Encryption Algorithm	Type of encryption algorithm used.
Type	Type of key.

Related Commands [\(config\) disk encrypt](#)
[cms secure-store](#)

show license

To display license information for a WAAS device, use the **show license** EXEC command.

show license

Syntax Description This command has no arguments or keywords.

Defaults No default behavior or values.

Command Modes EXEC

Device Modes application-accelerator
central-manager

Examples The following is sample output from the **show license** command. It lists the WAAS licenses, giving the name, status, date applied, and the name of the user that applied the license for each active license.

```
WAE# show license
License Name      Status      Activation Date  Activated by
-----
Transport         not active
Enterprise        active      11/12/2008      admin
Video            not active
Virtual-Blade    not active
```

Related Commands [clear arp-cache](#)
[license add](#)

show logging

To display the system message log configuration for a WAAS device, use the **show logging EXEC** command.

show logging

Syntax Description This command has no arguments or keywords.

Defaults No default behavior or values.

Command Modes EXEC

Device Modes application-accelerator
central-manager

Usage Guidelines Use the system message log to view information about events that have occurred on a WAAS device. The *syslog.txt* file is contained in the */local1* directory.

Examples The following is sample output from the **show logging** command. It displays the syslog host configuration on a WAAS device.

```
WAE# show logging
Syslog to host is disabled
Priority for host logging is set to: warning

Syslog to console is disabled
Priority for console logging is set to: warning

Syslog to disk is enabled
Priority for disk logging is set to: notice
Filename for disk logging is set to: /local1/syslog.txt

Syslog facility is set to *

Syslog disk file recycle size is set to 1000000
```

Related Commands [clear arp-cache](#)
[\(config\) logging console](#)
[show sysfs volumes](#)

show memory

To display memory blocks and statistics for a WAAS device, use the **show memory** EXEC command.

show memory

Syntax Description This command has no arguments or keywords.

Defaults No default behavior or values.

Command Modes EXEC

Device Modes application-accelerator
central-manager

Examples [Table 3-56](#) describes the fields shown in the **show memory** command display.

Table 3-56 *Field Descriptions for the show memory Command*

Field	Description
Total memory	Total amount of system memory in kilobytes (KB), not including the amount reserved for the rescue kernel.
Total free memory	Total available memory (in kilobytes).
Total buffer memory	Total amount of memory (in kilobytes) in the memory buffer.
Total cached memory	Total amount of memory (in kilobytes) in the memory cache.
Total swap	Total amount of memory (in kilobytes) for swap purposes.
Total free swap	Total available memory (in kilobytes) for swap purposes.

show ntp

To display the NTP parameters for a WAAS device, use the **show ntp** EXEC command.

show ntp status

Syntax Description	status Displays NTP status.
Defaults	No default behavior or values.
Command Modes	EXEC
Device Modes	application-accelerator central-manager
Examples	Table 3-57 describes the fields shown in the show ntp status command display.

Table 3-57 Field Descriptions for the show ntp status Command

Field	Description
NTP	Indicates whether NTP is enabled or disabled.
server list	NTP server IP and subnet addresses.
remote	Name (first 15 characters) of remote NTP server.
*	In the remote column, identifies the system peer to which the clock is synchronized.
+	In the remote column, identifies a valid or eligible peer for NTP synchronization.
space	In the remote column, indicates that the peer was rejected. (The peer could not be reached or excessive delay occurred in reaching the NTP server.)
x	In the remote column, indicates a false tick and is ignored by the NTP server.
-	In the remote column, indicates a reading outside the clock tolerance limits and is ignored by the NTP server.
refid	Clock reference ID to which the remote NTP server is synchronized.
st	Clock server stratum or layer. In this example, stratum 1 is the top layer.
t	Type of peer (l ocal, u nicast, m ulticast, or b roadcast).
when	Indicates when the last packet was received from the server in seconds.
poll	Time check or correlation polling interval in seconds.
reach	8-bit reachability register. If the server was reachable during the last polling interval, a 1 is recorded; otherwise, a 0 is recorded. Octal values 377 and above indicate that every polling attempt reached the server.
delay	Estimated delay (in milliseconds) between the requester and the server.

Table 3-57 *Field Descriptions for the show ntp status Command (continued)*

Field	Description
offset	Clock offset relative to the server.
jitter	Clock jitter.

Related Commands[clock](#)[\(config\) clock](#)[\(config\) ntp](#)

show peer optimization

To display the configured serial peers for a WAAS device, use the **show peer optimization EXEC** command.

show peer optimization

Syntax Description This command has no arguments or keywords.

Defaults No default behavior or values.

Command Modes EXEC

Device Modes application-accelerator

Examples This command lists the device IDs of the configured non-optimizing peer devices, as follows:

```
WAE# show peer optimization
Configured Non-optimizing Peers:
    Peer Device Id: 00:21:5e:28:87:54
```

Related Commands [show device-id](#)
[\(config\) peer](#)

show policy-engine application

To display application policy information for a WAE, use the **show policy-engine application EXEC** command.

```
show policy-engine application {classifier [app-classifier] | dynamic | name}
```

Syntax Description	classifier	Description
		Displays information about the specified application classifier. If no classifier is specified, the show policy-engine applicaion command displays information about all classifiers. Every application classifier with a single match is displayed in one line.
	<i>app-classifier</i>	(Optional) Name of an application classifier. The name should not exceed 30 characters.
	dynamic	Shows the application dynamic match information.
	name	Shows the application names list.

Defaults No default behavior or values.

Command Modes EXEC

Device Modes application-accelerator

Usage Guidelines Use the **show policy-engine application dynamic** command to display auto-discovered CIFS file servers that are added to the list (for WAFS legacy mode only). The servers are visible in the dynamic listing for a limited time (3 minutes by default) after any activity stops, and then they are dropped from the dynamic list until another client request causes them to be auto-discovered again.

Examples [Table 3-58](#) describes the fields shown in the **show policy-engine application classifier** command display.

Table 3-58 Field Descriptions for the show policy-engine application classifier Command

Field	Description
Number of Application Classifiers:	Number of application classifiers configured.
0 to <i>N</i>	Numbered list that includes the application name and the match statement that defines which traffic is interesting. For example: <pre>0) AFS match dst port range 7000 7009 1) Altiris-CarbonCopy match dst port eq 1680</pre>

Table 3-59 describes the fields shown in the **show policy-engine application dynamic** command display.

Table 3-59 Field Descriptions for the **show policy-engine application dynamic** Command

Field	Description
Dynamic Match Freelist Information	
Allocated	Total number dynamic policies that can be allocated.
In Use	Number of dynamic matches that are currently in use.
Max In Use	Maximum number of dynamic matches that have been used since the last reboot.
Allocations	Number times that the dynamic match entries have been added.
Individual Dynamic Match Information:	Displays the internally-configured match values for dynamic applications. Dynamic applications do not use statically assigned ports, but they negotiate for a port to handle that application traffic.
Number	Number of the match condition in the list.
Type	Type of traffic to match. For example, Any-->Local tests traffic from any source to the local WAE.
User Id	Name of the accelerator that inserted the entry.
Src	Value for the source match condition. Values can be ANY, LOCAL, an IP address, or a port to which the application applies.
Dst	Value for the destination match condition. Values can be ANY, LOCAL, an IP address, or a port to which the application applies.
Map Name	Policy engine application map that is invoked if the dynamic match entry matches a connection.
Flags	Operation flags specifying different connection handling options.
Seconds	Number of seconds specified as the time limit for the dynamic match entry to exist.
Remaining	Number of seconds remaining before the dynamic match entry expires and is deleted.
Hits	Number of connections that have matched.

Table 3-60 describes the fields shown in the **show policy-engine application name** command display.

Table 3-60 Field Descriptions for the show policy-engine application name Command

Field	Description
Number of Applications: X	Number of applications defined on the WAE, including all of the default applications. WAAS includes over 150 default application policies. (For a list of default application policies, see the <i>Cisco Wide Area Application Services Configuration Guide</i> , Appendix A. The display next lists each application that is defined on the WAE by name:
1) Authentication (15)	Name of the application and its internal numerical identifier, which is used to manage the application name in the policy engine.
2) Backup (18)	
3) Call-Management (17)	
4) Conferencing (8)	
5) Console (4)	
6) Content-Management (21)	
7) Directory-Services (6)	
8) Email-and-Messaging (12)	
9) Enterprise-Applications (13)	
10) File-System (2)	
11) File-Transfer (16)	
12) Instant-Messaging (22)	
13) Name-Services (25)	
14) Network-Analysis (26)	
15) P2P (7)	
16) Printing (14)	
17) Remote-Desktop (5)	
18) Replication (20)	
19) SQL (1)	
20) SSH (24)	
21) Storage (27)	
22) Streaming (11)	
23) Systems-Management (3)	
24) VPN (23)	
25) Version-Management (9)	
26) WAFS (10)	
27) Web (19)	
28) Other (0)	

Related Commands

(config) [policy-engine application classifier](#)
(config) [policy-engine application map adaptor EPM](#)
(config) [policy-engine application map adaptor WAFS transport](#)
(config) [policy-engine application map basic](#)
(config) [policy-engine application map other optimize DRE](#)
(config) [policy-engine application map other optimize full](#)
(config) [policy-engine application map other pass-through](#)
(config) [policy-engine application name](#)
(config) [policy-engine config](#)

show policy-engine status

To display high-level information about a WAE policy engine, use the **show policy-engine status EXEC** command.

show policy-engine status

Syntax Description This command has no arguments or keywords.

Defaults No default behavior or values.

Command Modes EXEC

Device Modes application-accelerator

Usage Guidelines The **show policy-engine status** command displays information including the usage of the available resources, which include application names, classifiers, conditions, and service classes.

Examples [Table 3-61](#) describes the fields shown in the **show policy-engine status** command display.

Table 3-61 Field Descriptions for the show policy-engine status Command

Field	Description
Policy-engine resources usage:	Table columns are Total, Used, and Available.
Application names	Total number of application names. Number of application names being used. Number of application names available.
Classifiers	Total number of classifiers configured. Number of classifiers being used. Number of classifiers available. The maximum number of classifiers allowed is 512.
Conditions	Total number of conditions configured. Number of conditions being used. Number of conditions available. The maximum number of match conditions allowed is 1024.
Policies	Total number of policies configured. Number of policies being used. Number of policies available. The maximum number of policies allowed is 512.
Service-Classes	Total number of service classes configured. Number of service classes being used. Number of service classes available. The maximum number of service classes allowed is 256.

Related Commands [\(config\) policy-engine application classifier](#)

(config) policy-engine application map adaptor EPM
(config) policy-engine application map adaptor WAFS transport
(config) policy-engine application map basic
(config) policy-engine application map other optimize DRE
(config) policy-engine application map other optimize full
(config) policy-engine application map other pass-through
(config) policy-engine application name
(config) policy-engine config

show print-services

To display administrative users who have access to configuration privileges, legacy print services, or legacy print service processes on a WAAS device, use the **show print-services EXEC** command.

```
show print-services {drivers user username | process}
```

Syntax Description	drivers	Displays printer drivers on this print server.
	user <i>username</i>	Specifies a username that belongs to the print admin group.
	process	Displays information about the print server and print spooler.

Defaults No default behavior or values.

Command Modes EXEC

Device Modes application-accelerator
central-manager

Usage Guidelines Legacy print services are deprecated and no longer supported in WAAS 4.2.x and later. We recommend using the Windows print accelerator (see the [\(config\) accelerator windows-print](#) command).

Examples [Table 3-62](#) describes the fields shown in the **show print-services process** command display.

Table 3-62 Field Descriptions for the show print-services process Command

Field	Description
Print server is running.	Operation status of the print server.
Print spooler is running.	Operation status of the print spooler.
Print Server Status	
Samba version 3.0.20	Samba version being used.
PID	Process ID. Process identification number of the Samba process on the WAE Linux appliance.
Username	UNIX user that has started the Samba process.
Group	UNIX group to which the user belongs.
Machine	Machine name and IP address. The machine name is the same as the NetBIOS name.
Service	Remote procedure call (RPC) port that is used by clients to connect to the print server. Value is always IPC\$.

Table 3-62 Field Descriptions for the show print-services process Command (continued)

Field	Description
pid	Process ID. Process identification number of the Samba process on the WAE Linux appliance.
machine	Machine name.
Connected at	Date and time of connection to the print server.
No locked files	Comment line.
Print Spooler Status	
scheduler is running	Operation status of the print spooler scheduler.
system default destination	Default print destination for WAAS (VistaPrinterOnWAAS).
device for (VistaPrinterOnWAAS)	Socket address for the system default print destination.
(VistaPrinterOnWAAS) accepting requests	Availability status of the system default print destination.
printer (VistaPrinterOnWAAS) is idle. enabled	Operation status of the system default printer.

Related Commands[show authentication](#)[windows-domain](#)[\(config\) authentication configuration](#)[\(config\) print-services](#)[\(config\) windows-domain](#)

show processes

To display CPU or memory processes for a WAAS device, use the **show processes EXEC** command.

```
show processes [cpu | debug pid | memory | system [delay secs | count num]]
```

Syntax Description		
cpu	(Optional)	Displays CPU utilization.
debug pid	(Optional)	Prints the system call and signal traces for a specified process identifier to display system progress.
memory	(Optional)	Displays memory allocation processes.
system	(Optional)	Displays system load information in terms of updates.
delay secs	(Optional)	Specifies the delay between updates, in seconds (1–60).
count num	(Optional)	Specifies the number of updates that are displayed (1–100).

Defaults No default behavior or values.

Command Modes EXEC

Device Modes application-accelerator
central-manager

Usage Guidelines Use the EXEC commands shown in this section to track and analyze system CPU utilization. For real time CPU utilization information, use the [top EXEC](#) command.

The **show processes debug** command displays extensive internal system call information and a detailed account of each system call (along with arguments) made by each process and the signals it has received.

Use the **show processes system** command to display system load information in terms of updates. The **delay** option specifies the delay between updates, in seconds. The **count** option specifies the number of updates that are displayed. The **show processes debug** command displays these items:

- A list of all processes in wide format.
- Two tables listing the processes that utilize CPU resources. The first table displays the list of processes in descending order of utilization of CPU resources based on a snapshot taken after the processes system (ps) output is displayed. The second table displays the same processes based on a snapshot taken 5 seconds after the first snapshot.
- Virtual memory used by the corresponding processes in a series of five snapshots, each separated by 1 second.



Note

CPU utilization and system performance are severely affected when you use these commands. We therefore recommend that you avoid using these commands, especially the **show processes debug** command, unless it is absolutely necessary.

Examples

Table 3-63 describes the fields shown in the **show processes** command display.

Table 3-63 *Field Descriptions for the show processes Command*

Field	Description
CPU utilization	CPU utilization since the last reload as a percentage for user, system overhead, and idle. Includes average usage (calculated every 10 minutes).
Overall current CPU utilization	Current CPU utilization over all CPUs in the system.
PID	Process identifier.
STATE	Current state of corresponding processes. R = running S = sleeping in an interruptible wait D = sleeping in an uninterruptible wait or swapping Z = zombie T = traced or stopped on a signal
PRI	Priority of processes.
User T	User time utilization in seconds.
Sys T	System time utilization in seconds.
COMMAND	Process command.
Total	Total available memory in bytes.
Used	Memory currently used in bytes.
Free	Free memory available in bytes.
Shared	Shared memory currently used in bytes.
Buffers	Buffer memory currently used in bytes.
Cached	Cache memory currently used in bytes.
SwapTotal	Total available memory in bytes for swap purposes.

Related Commands

[top](#)

show radius-server

To display RADIUS configuration information for a WAAS device, use the **show radius-server EXEC** command.

show radius-server

Syntax Description This command has no arguments or keywords.

Defaults No default behavior or values.

Command Modes EXEC

Device Modes application-accelerator
central-manager

Examples [Table 3-64](#) describes the fields shown in the **show radius-server** command display.

Table 3-64 Field Descriptions for the show radius-server Command

Field	Description
Login Authentication for Console/Telnet Session	Indicates whether a RADIUS server is enabled for login authentication.
Configuration Authentication for Console/Telnet Session	Indicates whether a RADIUS server is enabled for authorization or configuration authentication.
Authentication scheme fail-over reason	Indicates whether the WAAS devices fail over to the secondary method of administrative login authentication whenever the primary administrative login authentication method.
RADIUS Configuration	RADIUS authentication settings.
Key	Key used to encrypt and authenticate all communication between the RADIUS client (the WAAS device) and the RADIUS server.
Timeout	Number of seconds that the WAAS device waits for a response from the specified RADIUS authentication server before declaring a timeout.
Servers	RADIUS servers that the WAAS device is to use for RADIUS authentication.
IP	Hostname or IP address of the RADIUS server.
Port	Port number on which the RADIUS server is listening.

■ show radius-server

Related Commands [\(config\) radius-server](#)

show running-config

To display a WAAS device current running configuration on the terminal, use the **show running-config EXEC** command. The **show running-config** command replaces the **write terminal** command.

show running-config [no-policy]

Syntax Description	no-policy (Optional) Does not display policy engine configuration.
---------------------------	---

Defaults	No default behavior or values.
-----------------	--------------------------------

Command Modes	EXEC
----------------------	------

Device Modes	application-accelerator central-manager
---------------------	--

Usage Guidelines	Use this EXEC command in conjunction with the show startup-config command to compare the information in running memory to the startup configuration used during bootup.
-------------------------	--

Examples	The following is sample output from the show running-config command. It displays the currently running configuration of a WAAS device.
-----------------	---

```
WAE# show running-config
! WAAS version 4.0.0
!
device mode central-manager
!
!
hostname waas-cm
!
!
!
!
exec-timeout 60
!
!
primary-interface GigabitEthernet 1/0
!
!
...
```

Related Commands	configure copy running-config
-------------------------	--

copy startup-config

show services

To display services-related information for a WAAS device, use the **show services EXEC** command.

```
show services { ports [port-num] | summary }
```

Syntax Description	ports	Displays services by port number.
	<i>port-num</i>	(Optional) Up to 8 port numbers (1–65535).
	summary	Displays the services summary.

Defaults No default behavior or values.

Command Modes EXEC

Device Modes application-accelerator
central-manager

Examples The following is sample output from the **show services** command. It displays a summary of the services.

```
WAE# show services summary
```

```
Service      Ports
-----
           CMS      1100  5256
           NLM      4045
           WAFS     1099
           emdb     5432
           MOUNT    3058
           MgmtAgent 5252
           WAFS_tunnel 4050
           CMS_db_vacuum 5257
```

show smb-conf

To view the current values of the Samba configuration file, *smb.conf*, on a WAAS device, use the **show smb-conf** EXEC command.

show smb-conf

Syntax Description This command has no arguments or keywords.

Defaults No default behavior or values.

Command Modes EXEC

Device Modes application-accelerator
central-manager

Usage Guidelines The **show smb-conf** command displays the global, print\$, and printers parameters values of the *smb.conf* file for troubleshooting purposes. For a description of these parameters and their values, see the [\(config\) smb-conf](#) command.

Examples The following is sample output from the **show smb-conf** command. It displays all of the parameter values for the current configuration.

```
WAE# show smb-conf

Current smb-conf configurations -->

smb-conf section "global" name "ldap ssl" value "start_tls"
smb-conf section "printers" name "printer admin" value "root"

Output of current smb.conf file on disk -->

=====

# File automatically generated

[global]
idmap uid = 70000-200000
idmap gid = 70000-200000
winbind enum users = no
winbind enum groups = no
winbind cache time = 10
winbind use default domain = yes
printcap name = cups
load printers = yes
printing = cups
```

```
cups options = "raw"
force printername = yes
lpq cache time = 0
log file = /local/local1/errorlog/samba.log
max log size = 50
socket options = TCP_NODELAY SO_RCVBUF=8192 SO_SNDBUF=8192
smb ports = 50139
local master = no
domain master = no
preferred master = no
dns proxy = no
template homedir = /local/local1/
template shell = /admin-shell
ldap ssl = start_tls
comment = Comment:
netbios name = MYFILEENGINE
realm = ABC
wins server = 10.10.10.1
password server = 10.10.10.10
security = domain

[print$]
path = /state/samba/printers
guest ok = yes
browseable = yes
read only = yes
write list = root

[printers]
path = /local/local1/spool/samba
browseable = no
guest ok = yes
writable = no
printable = yes
printer admin = root
```

```
=====
```

Related Commands[\(config\) smb-conf](#)[windows-domain](#)[\(config\) windows-domain](#)

show snmp

To check the status of SNMP communications for a WAAS device, use the **show snmp** EXEC command.

```
show snmp {alarm-history | engineID | event | group | stats | user}
```

Syntax Description		
alarm-history		Displays SNMP alarm history information.
engineID		Displays local SNMP engine identifier.
event		Displays events configured through the Event MIB. Applies only to application-accelerator device mode.
group		Displays SNMP groups.
stats		Displays SNMP statistics.
user		Displays SNMP users.

Defaults No default behavior or values.

Command Modes EXEC

Device Modes application-accelerator
central-manager

Usage Guidelines The **show snmp alarm-history** command provides information on various SNMP variables and statistics on SNMP operations.

Examples [Table 3-65](#) describes the fields shown in the **show snmp alarm-history** command display.

Table 3-65 Field Descriptions for the show snmp alarm-history Command

Field	Description
Index	Displays serial number of the listed alarms.
Type	Indicates whether the alarm has been Raised (R) or Cleared (C).
Sev	Levels of alarm severity: Critical (Cr), Major (Ma), or Minor (Mi).
Alarm ID	Traps sent by a WAE contain numeric alarm IDs.
ModuleID	Traps sent by a WAE contain numeric module IDs. (See the table below to map module names to module IDs.)
Category	Traps sent by a WAE contain numeric category IDs. (See the table below to map category names to category IDs.)
Descr	Provides description of the WAAS software alarm and the application that generated the alarm.

Table 3-66 summarizes the mapping of module names to module IDs.

Table 3-66 Summary of Module Names to ID Numbers

Module Name	Module ID
AD_DATABASE	8000
NHM	1
NHM/NHM	2500
nodemgr	2000
standby	4000
sysmon	1000
UNICAST_DATA_RECEIVER	5000
UNICAST_DATA_SENDER	6000

Table 3-67 summarizes the mapping of category names to category IDs.

Table 3-67 Summary of Category Names to ID Numbers

Category Name	Category ID
Communications	1
Service Quality	2
Processing Error	3
Equipment	4
Environment	5
Content	6

Table 3-68 describes the fields shown in the **show snmp engineID** command display.

Table 3-68 Field Descriptions for the show snmp engineID

Field	Description
Local SNMP Engine ID	String that identifies the copy of SNMP on the local device.

Table 3-69 describes the fields shown in the **show snmp event** command display. The **show snmp event** command displays information about the SNMP events that were set using the **snmp trigger** command:

Table 3-69 Field Descriptions for the show snmp event Command

Field	Description
Mgmt Triggers	Output for management triggers, which are numbered 1, 2, 3, and so on in the output.
(1): Owner:	Name of the person who configured the trigger. "CLI" is the default owner; the system has a default trigger configured.

Table 3-69 Field Descriptions for the **show snmp event** Command (continued)

Field	Description
(1):	Name for the trigger. This name is locally-unique and administratively assigned. For example, this field might contain the “isValid” trigger name. Numbering indicates that this is the first management trigger listed in the show output.
Comment:	Description of the trigger function and use. For example: WAFS license file is not valid.
Sample:	Basis on which the test sample is being evaluated. For example: Abs (Absolute) or Delta.
Freq:	Frequency. Number of seconds to wait between trigger samplings. To encourage consistency in sampling, the interval is measured from the beginning of one check to the beginning of the next and the timer is restarted immediately when it expires, not when the check completes.
Test:	Type of trigger test to perform based on the SNMP trigger configured. The Test field may contain the following types of tests: Absent—Absent existence of a test Boolean—Boolean value test Equal—Equality threshold test Falling—Falling threshold test Greater-than—Greater-than threshold test Less-than—Less-than threshold test On-change—Changed existence test Present—Present present test Rising—Rising threshold test
Wildcard	True or False.
ObjectOwner:	Name of the object owner who created the trigger using the snmp trigger create global configuration command or by using an SNMP interface. “CLI” is the default owner.
Object:	String identifying the object.
Boolean Entry:	
Value:	Object identifier of the MIB object to sample to see whether the trigger should fire.

Table 3-69 Field Descriptions for the *show snmp event* Command (continued)

Field	Description
Cmp:	Comparison. Type of boolean comparison to perform. The numbers 1–6 correspond to these Boolean comparisons: unequal (1) equal (2) less (3) lessOrEqual (4) greater (5) greaterOrEqual (6)
Start:	Starting value for which this instance will be triggered.
ObjOwn:	Object owner.
Obj:	Object.
EveOwn:	Event owner.
Eve:	Event. Type of SNMP event. For example: CLI_EVENT.
Delta Value Table:	Table containing trigger information for delta sampling.
(0):	
Thresh:	Threshold value to check against if the trigger type is threshold.
Exis:	Type of existence test to perform. Values are 1 or 0.
Read:	Indicates whether the MIB instance has been queried or not.
OID:	Object ID (Same as MIB instance).
val:	Value ID.
(2):	MIB instance on which the trigger is configured. This is the second management trigger listed in the show output. The fields are repeated for each instance listed in this show command.

Table 3-70 describes the fields shown in the **show snmp group** command display.

Table 3-70 Field Descriptions for the *show snmp group* Command

Field	Description
groupname	Name of the SNMP group, or collection of users who have a common access policy.
security_model	Security model used by the group (either v1, v2c, or v3).
readview	String identifying the read view of the group.
writeview	String identifying the write view of the group.
notifyview	string identifying the notify view of the group.

Table 3-71 describes the fields shown in the **show snmp stats** command display.

Table 3-71 Field Descriptions for the `show snmp stats` Command

Field	Description
SNMP packets input	Total number of SNMP packets input.
Bad SNMP version errors	Number of packets with an invalid SNMP version.
Unknown community name	Number of SNMP packets with an unknown community name.
Illegal operation for community name supplied	Number of packets requesting an operation not allowed for that community.
Encoding errors	Number of SNMP packets that were improperly encoded.
Number of requested variables	Number of variables requested by SNMP managers.
Number of altered variables	Number of variables altered by SNMP managers.
Get-request PDUs	Number of GET requests received.
Get-next PDUs	Number of GET-NEXT requests received.
Set-request PDUs	Number of SET requests received.
SNMP packets output	Total number of SNMP packets sent by the router.
Too big errors	Number of SNMP packets that were larger than the maximum packet size.
Maximum packet size	Maximum size of SNMP packets.
No such name errors	Number of SNMP requests that specified a MIB object that does not exist.
Bad values errors	Number of SNMP SET requests that specified an invalid value for a MIB object.
General errors	Number of SNMP SET requests that failed because of some other error. (It was not a No such name error, Bad values error, or any of the other specific errors.)
Response PDUs	Number of responses sent in reply to requests.
Trap PDUs	Number of SNMP traps sent.

Table 3-72 describes the fields shown in the `show snmp user` command display.

Table 3-72 Field Descriptions for the `show snmp user` Command

Field	Description
User name	String identifying the name of the SNMP user.
Engine ID	String identifying the name of the copy of SNMP on the device.
Group Name	Name of the SNMP group, or collection of users who have a common access policy.

Related Commands

(config) `snmp-server community`
 (config) `snmp-server contact`
 (config) `snmp-server enable traps`

(config) snmp-server group
(config) snmp-server host
(config) snmp-server location
(config) snmp-server mib
(config) snmp-server notify inform
(config) snmp-server user
(config) snmp-server view
snmp trigger

show ssh

To display the status and configuration information of the Secure Shell (SSH) service for a WAAS device, use the **show ssh** EXEC command.

show ssh

Syntax Description This command has no arguments or keywords.

Defaults No default behavior or values.

Command Modes EXEC

Device Modes application-accelerator
central-manager

Examples [Table 3-73](#) describes the fields shown in the **show ssh** command display.

Table 3-73 Field Descriptions for the show ssh Command

Field	Description
SSH server supports SSH2 protocol (SSH1 compatible).	Protocol support statement.
SSH service is not enabled.	Status of whether the SSH service is enabled or not enabled.
Currently there are no active SSH sessions.	Number of active SSH sessions.
Number of successful SSH sessions since last reboot:	Number of successful SSH sessions since last reboot.
Number of failed SSH sessions since last reboot:	Number of failed SSH sessions since last reboot.
SSH key has not been generated or previous key has been removed.	Status of the SSH key.
SSH login grace time value is 300 seconds.	Time allowed for login.
Allow 3 password guess(es).	Number of password guesses allowed.

Related Commands [\(config\) ssh-key-generate](#)
[\(config\) sshd](#)

show startup-config

To display the startup configuration for a WAAS device, use the **show startup-config** EXEC command.

show startup-config

Syntax Description This command has no arguments or keywords.

Defaults No default behavior or values.

Command Modes EXEC

Device Modes application-accelerator
central-manager

Usage Guidelines Use this EXEC command to display the configuration used during an initial bootup, stored in NVRAM. Note the difference between the output of this command versus the **show running-config** command.

Examples The following is sample output from the **show startup-config** command. It displays the configuration saved for use on startup of the WAAS device.

```
WAE# show startup-config
! WAAS version 4.0.0
!
device mode central-manager
!
!
hostname Edge-WAE1
!
!
!
!
exec-timeout 60
!
!
primary-interface GigabitEthernet 1/0
!
!
!
interface GigabitEthernet 1/0
 ip address 10.10.10.33 255.255.255.0
 exit
interface GigabitEthernet 2/0
 shutdown
...
```

■ show startup-config

Related Commands

[configure](#)

[copy running-config](#)

[show running-config](#)

show statistics accelerator

To display application accelerator general statistics for a WAAS device, use the **show statistics accelerator** EXEC command.

```
show statistics accelerator cifs [detail | expert mbean attrib]
```

```
show statistics accelerator detail
```

```
show statistics accelerator epm [detail]
```

```
show statistics accelerator generic {connections {cifs | epm | http | mapi | nfs | ssl | video}}|
detail }
```

```
show statistics accelerator http [detail]
```

```
show statistics accelerator mapi [detail]
```

```
show statistics accelerator nfs [detail]
```

```
show statistics accelerator ssl [detail]
```

```
show statistics accelerator video [detail]
```

Syntax Description		
cifs		Displays statistics for the CIFS application accelerator.
detail		Displays detailed statistics.
expert <i>mbean attrib</i>		Displays CIFS accelerator expert mode attributes. Mbean name and Mbean attribute name.
epm		Displays statistics for the EPM application accelerator.
generic		Displays statistics for the generic application accelerator.
connections		Displays generic connection statistics.
http		Displays statistics for the HTTP application accelerator.
mapi		Displays statistics for the MAPI application accelerator.
nfs		Displays statistics for the NFS application accelerator.
ssl		Displays statistics for the SSL application accelerator.
video		Displays statistics for the video application accelerator.

Defaults No default behavior or values.

Command Modes EXEC

Device Modes application-accelerator

Usage Guidelines

Using the **show statistics accelerator** command with no options displays a summary of the statistical information for all application accelerators. To obtain detailed statistics for an application accelerator, use the command options to filter the results.

Examples

[Table 3-74](#) describes the fields shown in the **show statistics accelerator cifs** command display.

Table 3-74 Field Descriptions for the **show statistics accelerator cifs** Command

Field	Description
Time Accelerator was started	Time that the accelerator was started.
Time Statistics were Last Reset/Cleared	Time that the statistics were last reset or cleared.
Total Handled Connections	Connections handled since the accelerator was started or its statistics last reset.
Total Optimized Connections	Connections previously and currently optimized by the accelerator.
Total Pushed Down Connections	Connections initially accepted by accelerator, but later handed off to generic optimization with no acceleration. Occurs if the CIFS server requires a digital signature.
Total Dropped Connections	Connections dropped for reasons other than client/server socket errors or close.
Current Active Connections	Current active connections.
Current Pending Connections	Current connections pending to be accepted.
Maximum Active Connections	Maximum active connections handled simultaneously.
Local response number	Number of local CIFS command responses sent to the client without waiting for a response from the peer WAE.
Average local response time	Average time used for local responses, in microseconds.
Remote response number	Number of CIFS commands forwarded to the CIFS server for a response.
Average remote response time	Average time used for remote responses, in microseconds.
Policy Engine Statistics	
Session timeouts	Number of times the accelerator application did not issue a keepalive to the Policy Engine in a timely manner. A session refers to the particular registration of the accelerator application within the Policy Engine.
Total timeouts	Total number of times the accelerator application did not issue a keepalive to the Policy Engine in a timely manner. This may encompass multiple registrations.
Last keepalive received	Amount of time since the last keepalive (seconds).

Table 3-74 Field Descriptions for the *show statistics accelerator cifs* Command (continued)

Field	Description
Last registration occurred	Amount of time since the accelerator application registered with the Policy Engine (seconds). Most likely causes are: <ul style="list-style-type: none"> • WAE was rebooted • Configuration change with the accelerator application enabled • Restart of the accelerator application by the Node Manager
Hits	Number of connections that had a configured policy that specified the use of the accelerator application.
Updated Released	Number of hits that were released during auto-discovery and did not make use of the accelerator application.
Active Connections	Number of hits that represent either active connections using the accelerator application or connections that are still in the process of performing auto-discovery.
Completed Connections	Number of hits that have made use of the accelerator application and have completed.
Drops	Number of hits that attempted use of the accelerator application but were rejected for some reason. A separate hit and drop will be tallied for each TCP SYN packet received for a connection. This includes the original SYN and any retries.
Rejected Connection Counts Due To: (Total:)	<ul style="list-style-type: none"> • Number of all of the reject reasons that represent hits that were not able to use the accelerator applications. Reject reasons include the following: <ul style="list-style-type: none"> • Not registered • Keepalive timeout • No license • Load level not within range • Connection limit exceeded • Rate limit exceeded (a new connection exceeded the number of connections allowed within the time window) • Minimum TFO not available • Resource manager (minimum resources not available) • Global config optimization disabled • TFO limit exceeded (systemwide connection limit reached) • Server-side invoked • DM deny (Policy Engine dynamic match deny rule matched) • No DM accept was matched
Auto-Discovery Statistics	
Connections queued for accept	Number of connections added to the accelerator connection accept queue by auto discovery.

Table 3-74 Field Descriptions for the `show statistics accelerator cifs` Command (continued)

Field	Description
Accept queue add failures	Number of connections that could not be added to the accelerator connection accept queue due to a failure. The failure could possibly be due to the accelerator not being present, or a queue overflow.
AO discovery successful	For the accelerators that work in dual-ended mode, accelerator discovery (as part of auto discovery) is performed. This counter indicates the number of times accelerator discovery was successful.
AO discovery failure	The number of times accelerator discovery failed. Possible reasons include the accelerator not being enabled or running on the peer WAE, or the license not configured for the accelerator.

[Table 3-75](#) describes the fields shown in the `show statistics accelerator epm detail` command display.

Table 3-75 Field Descriptions for the `show statistics accelerator epm` Command

Field	Description
Global TCP AO connection statistics	
Time Accelerator was started	Time that the accelerator was started.
Time Statistics were Last Reset/Cleared	Time that the statistics were last reset or cleared.
Total Handled Connections	Total connections handled.
Total Optimized Connections	Total optimized connections.
Total Pushed Down Connections	Total pushed down connections.
Total Dropped Connections	Total dropped connections.
Current Active Connections	Current active connections.
Current Pending Connections	Current pending connections.
Maximum Active Connections	Maximum active connections.
Total Requests	Total requests.
Total Requests Successfully Parsed	Total requests successfully parsed.
Total Request Errors	Total request errors.
Total Responses	Total responses.
Total Responses Successfully Parsed	Total responses successfully parsed.
Total Service-unavailable Responses	Total service-unavailable responses.
Total Requests for UUID not in Policy Engine Map	Total requests for UUID not in policy engine map.
Total Response Errors	Total response errors.

[Table 3-76](#) describes the fields shown in the `show statistics accelerator generic connections detail` command display. This command shows the aggregated statistics for all connections.

Table 3-76 *Field Descriptions for the show statistics accelerator generic Command*

Field	Description
Time elapsed since "clear statistics"	Time that has elapsed since the statistics were last reset.
Time Accelerator was started	Local time accelerator was started or restarted.
Time Statistics were Last Reset/Cleared	Local time accelerator was last started or restarted, or the clear statistics command was executed since accelerator was last started or restarted.
Total Handled Connections	<p>Connections handled since the accelerator was started or its statistics last reset. Incremented when a connection is accepted or reused. Never decremented.</p> <p>This value will always be greater than or equal to the Current Active Connections statistic. Includes all connections accepted by the accelerator even if later pushed down to generic optimization, dropped, or handed-off to another accelerator.</p> <p>Total Handled Connections = Total Optimized Connections + Total Pushed Down Connections + Total Dropped Connections.</p>
Total Optimized Connections	Connections previously and currently optimized by the accelerator. This includes: Current Active Connections + Total Fast Connections + Fast connections initiated by peer.
Total Connections Handed-off with Compression Policies Unchanged	Connections initially accepted by accelerator, but later handed off to generic optimization without policy changes so the current negotiated policies for compression (DRE/LZ) will be used.
Total Dropped Connections	Connections dropped for any reason other than client/server socket errors or close (for instance, out of resources).
Current Active Connections	<p>Number of WAN side connections currently established and either in use or free for fast connection use.</p> <p>WAN side connections currently established and in use can be calculated as follows: Current Active Connections - Total Active Connections Free For Fast Connection Use Not cleared using clear statistics accelerator command.</p>
Current Pending Connections	Number of SYN requests queued waiting for the accelerator to accept.
Maximum Active Connections	Highest number of active connections since accelerator was last started/restarted. Not cleared using the clear statistics accelerator command.
Global Generic AO Connection Statistics	

Table 3-76 Field Descriptions for the show statistics accelerator generic Command (continued)

Field	Description
Total number of connections handled	<p>Connections handled since the accelerator was started or its statistics last reset. Incremented when a connection is accepted or reused. Never decremented.</p> <p>This value will always be greater than or equal to the Current Active Connections statistic. Includes all connections accepted by the accelerator even if later pushed down to generic optimization, dropped, or handed-off to another accelerator.</p> <p>Total Handled Connections = Total Optimized Connections + Total Pushed Down Connections + Total Dropped Connections.</p>
Total number of active connections	Total number of hits that represent either active connections using the accelerator application.
Total number of bytes transferred from client	Total number of bytes transferred from the client side.
Total number of bytes transferred from server	Total number of bytes transferred from the server side.
Policy Engine Statistics	
Session timeouts	The number of times the accelerator application did not issue a keepalive to the Policy Engine in a timely manner. A session refers to the particular registration of the accelerator application within the Policy Engine.
Total timeouts	The total number of times the accelerator application did not issue a keepalive to the Policy Engine in a timely manner. This may encompass multiple registrations.
Last keepalive received	The amount of time since the last keepalive (seconds).
Last registration occurred	<p>The amount of time since the accelerator application registered with the Policy Engine (seconds). Most likely causes are:</p> <ul style="list-style-type: none"> • WAE was rebooted • Configuration change with the accelerator application enabled • Restart of the accelerator application by the Node Manager
Hits	Number of connections that had a configured policy that specified the use of the accelerator application.
Updated Released	Number of hits that were released during Auto-Discovery and did not make use of the accelerator application.
Active Connections	Number of hits that represent either active connections using the accelerator application or connections that are still in the process of performing Auto-Discovery.
Completed Connections	Number of hits that have made use of the accelerator application and have completed.

Table 3-76 Field Descriptions for the *show statistics accelerator generic* Command (continued)

Field	Description
Drops	Number of hits that attempted use of the accelerator application but were rejected for some reason. A separate hit and drop will be tallied for each TCP SYN packet received for a connection. This includes the original SYN and any retries.
Rejected Connection Counts Due To: (Total:)	<ul style="list-style-type: none"> • The number of all of the reject reasons that represent hits that were not able to use the accelerator applications. Reject reasons include the following: <ul style="list-style-type: none"> • Not registered • Keepalive timeout • No license • Load level not within range • Connection limit exceeded • Rate limit exceeded (a new connection exceeded the number of connections allowed within the time window) • Minimum TFO not available • Resource manager (minimum resources not available) • Global config optimization disabled • TFO limit exceeded (systemwide connection limit reached) • Server-side invoked • DM deny (Policy Engine dynamic match deny rule matched) • No DM accept was matched

[Table 3-77](#) describes the fields shown in the **show statistics accelerator http detail** command display.

Table 3-77 Field Descriptions for the *show statistics accelerator http detail* Command

Field	Description
Time Accelerator was started	Local time accelerator was started or restarted.
Time Statistics were Last Reset/Cleared	Local time accelerator was last started or restarted, or the clear statistics accelerator [http all] command was executed since accelerator was last started or restarted.

Table 3-77 Field Descriptions for the *show statistics accelerator http detail* Command

Field	Description
Total Handled Connections	<p>Connections handled since the accelerator was started or its statistics last reset. Incremented when a connection is accepted or reused. Never decremented.</p> <p>This value will always be greater than or equal to the Current Active Connections statistic. Includes all connections accepted by the accelerator even if later pushed down to generic optimization, dropped, or handed-off to another accelerator.</p> <p>Total Handled Connections = Total Optimized Connections + Total Pushed Down Connections + Total Dropped Connections.</p>
Total Optimized Connections	Connections previously and currently optimized by the HTTP Accelerator. This includes: Current Active Connections + Total Fast Connections + Fast connections initiated by peer.
Total Connections Handed-off with Compression Policies Unchanged	Connections initially accepted by accelerator, but later handed off to generic optimization without policy changes so the current negotiated policies for compression (DRE/LZ) will be used.
Total Dropped Connections	Connections dropped for any reason other than client/server socket errors or close (for instance, out of resources).
Current Active Connections.	<p>Number of WAN side connections currently established and either in use or free for fast connection use.</p> <p>WAN side connections currently established and in use can be calculated as follows: Current Active Connections - Total Active Connections Free For Fast Connection Use</p> <p>Not cleared using clear statistics accelerator [http all] command.</p>
Current Pending Connections	Number of SYN requests queued waiting for for accelerator to accept.
Maximum Active Connections	Highest number of active connections since accelerator was last started/restarted. Not cleared using the clear statistics accelerator [http all] command.
Total Time Saved (ms)	Total time saved in milliseconds. Incremented on client side WAE by 1 RTT whenever an idle fast connection is reused instead of establishing a new WAN connection.
Current Active Connections Free for Fast Connection Use	<p>Number of Current Active Connections that are idle and available for reuse as a fast connection. Incremented when an in-use active connection becomes idle and is available for reuse as a fast connection.</p> <p>Decrementd when an available idle active connection is reused or its idle timeout (5 secs) is reached. Not cleared using the clear statistics accelerator [http all] command.</p>

Table 3-77 *Field Descriptions for the show statistics accelerator http detail Command*

Field	Description
Total Connections Handed-off	Total Pushed Down Connections + Total Connections Handed-off with Compression Policies Disabled.
Total Connections Handed-off with Compression Policies Disabled	Total number of connections handed off to generic optimization with compression policies disabled. This statistic includes handoffs for SSL CONNECT requests received by the HTTP Accelerator.
Total Connections Handed-off to SSL	Total number of connections handed off to the SSL accelerator as a result of SSL CONNECT requests received by the HTTP Accelerator.
Total Connection Hand-off Failures	Total number of connections that were attempted to be handed off but the hand off failed.
Total Fast Connection Successes	Total number of times a client side idle active WAN connection was able to be reused instead of establishing a new WAN connection.
Total Fast Connection Failures	Total number of times a client side idle active WAN connection was attempted to be reused, but the reuse failed.
Maximum Fast Connections on a Single Connection	Maximum number of times a single connection was reused. This is the “best case” of number of reuses on a single connection. Limited to be less than maximum session reuse count (currently defined as 100 - an arbitrary max).
Total CONNECT Requests with Incomplete Message	Total number of SSL CONNECT requests with an incomplete message.
Percentage of connection time saved	$(\text{Total Time Saved} / (\text{Total Time Saved} + \text{Total Round Trip Time For All Connections})) * 100$.
Total Round Trip Time for All Connections (ms)	Total RTT for all WAN connections that have been established.
Total Fast Connections Initiated by Peer	Total number of times the server side WAN connection was a fast connection initiated by the client side peer. This statistic should match the Total Fast Connections on the peer WAE.
Total SYN Timeouts	Total number of SYN timeouts because the HTTP accelerator was temporarily busy.
Total Time for Metadata Cache Miss (ms)	Total time for metadata cache misses, in milliseconds.
RTT saved by Redirect Metadata Cache (ms)	Round trip time saved by caching and locally serving redirect (301) responses, in milliseconds.
RTT saved by Authorization Redirect Metadata Cache (ms)	Round trip time saved by caching and locally serving authentication required (401) responses, in milliseconds.
RTT saved by Content Refresh Check Metadata Cache (ms)	Round trip time saved by caching and locally serving conditional (304) responses, in milliseconds.
Total Time Saved by Fast Connection Use (ms)	Total time saved by fast connection reuse, in milliseconds.

Table 3-77 *Field Descriptions for the show statistics accelerator http detail Command*

Field	Description
Total Locally Served Redirect Responses	Number of locally served redirect (301) responses.
Total Locally Served Unauthorized Responses	Number of locally served authentication required (401) responses.
Total Locally Served Conditional Responses	Number of locally served conditional (304) responses.
Total Remotely Served Redirect Responses	Number of remotely served redirect (301) responses (cache misses).
Total Remotely Served Unauthorized Responses	Number of remotely served authentication required (401) responses (cache misses).
Total Remotely Served Conditional Responses	Number of remotely served conditional (304) responses (cache misses).
Total Requests with URL Longer than 255 Characters	Number of requests not cached because the URL is longer than 255 characters.
Total Requests with HTTP Pipelining	Number of requests not cached due to HTTP pipelining.
Total Transactions Handled	Number of HTTP transactions handled.
Total Server Compression Suppression	Number of times server compression was suppressed.
Total Requests Requiring Server Content-Revalidation	Number of requests that required content to be revalidated with the origin server, as specified by a Cache-Control header.
Total Responses not to be Cached	Number of 200, 301, 304, and 401 responses not to be cached, as specified by a Cache-Control header.
Total Connections Expecting Authentication	Number of connections expecting authentication.
Total Connections with Unsupported HTTP Requests	Number of connections with unsupported HTTP requests.
Total Connections with Unsupported HTTP Responses	Number of connections with unsupported HTTP responses.
Total Hints Sent to DRE Layer to Flush Data	Number of DRE hints to flush data.
Total Hints Sent to DRE Layer to Skip LZ	Number of DRE hints to skip LZ compression.
Total Hints Sent to DRE Layer to Skip Header Information	Number of DRE hints to skip header information.
Policy Engine Statistics	
Session timeouts	The number of times the accelerator application did not issue a keepalive to the Policy Engine in a timely manner. A session refers to the particular registration of the accelerator application within the Policy Engine.
Total timeouts	The total number of times the accelerator application did not issue a keepalive to the Policy Engine in a timely manner. This may encompass multiple registrations.
Last keepalive received	The amount of time since the last keepalive (seconds).

Table 3-77 *Field Descriptions for the show statistics accelerator http detail Command*

Field	Description
Last registration occurred	The amount of time since the accelerator application registered with the Policy Engine (seconds). Most likely causes are: <ul style="list-style-type: none"> • WAE was rebooted • Configuration change with the accelerator application enabled • Restart of the accelerator application by the Node Manager
Hits	Number of connections that had a configured policy that specified the use of the accelerator application.
Updated Released	Number of hits that were released during Auto-Discovery and did not make use of the accelerator application.
Active Connections	Number of hits that represent either active connections using the accelerator application or connections that are still in the process of performing Auto-Discovery.
Completed Connections	Number of hits that have made use of the accelerator application and have completed.
Drops	Number of hits that attempted use of the accelerator application but were rejected for some reason. A separate hit and drop will be tallied for each TCP SYN packet received for a connection. This includes the original SYN and any retries.

Table 3-77 Field Descriptions for the **show statistics accelerator http detail** Command

Field	Description
Rejected Connection Counts Due To: (Total:)	<ul style="list-style-type: none"> • The number of all of the reject reasons that represent hits that were not able to use the accelerator applications. Reject reasons include the following: • Not registered • Keepalive timeout • No license • Load level not within range • Connection limit exceeded • Rate limit exceeded (a new connection exceeded the number of connections allowed within the time window) • Minimum TFO not available • Resource manager (minimum resources not available) • Global config optimization disabled • TFO limit exceeded (systemwide connection limit reached) • Server-side invoked • DM deny (Policy Engine dynamic match deny rule matched) • No DM accept was matched
Auto-Discovery Statistics	
Connections queued for accept	Number of connections added to the accelerator connection accept queue by auto discovery.
Accept queue add failures	Number of connections that could not be added to the accelerator connection accept queue due to a failure. The failure could possibly be due to accelerator not being present, or a queue overflow.
AO discovery successful	For the accelerators that work in dual-ended mode, accelerator discovery (as part of auto discovery) is performed. This counter indicates the number of times accelerator discovery was successful.
AO discovery failure	The number of times accelerator discovery failed. Possible reasons include accelerator not being enabled or running on the peer WAE, or the license not configured for the accelerator.

[Table 3-78](#) describes the fields shown in the **show statistics accelerator mapi detail** command display.

Table 3-78 *Field Descriptions for the show statistics accelerator mapi detail Command*

Field	Description
Global Statistics	
Time Accelerator was started	Time that the accelerator was started.
Time statistics were Last Reset/Cleared	Time that the statistics were last reset.
Total Handled Connections	Number of connections handled since the accelerator was started.
Total Optimized Connections	Number of connections handled since the accelerator was started, from start to finish.
Total Connections Handed-off with Compression Policies Unchanged	Number of connections received by the accelerator but to which only generic optimizations were done (no acceleration).
Total Dropped Connections	Number of connections dropped for reasons other than client/server socket errors or close.
Current Active Connections	Number of connections currently being handled by the accelerator.
Current Pending Connections	Number of connections pending to be accepted.
Maximum Active Connections	Maximum number of simultaneous connections handled by the accelerator.
Total Secured Connections	Number of connections to Outlook clients that use encryption. Such connections are not accelerated by the MAPI accelerator but are passed through.
Number of Synch Get Buffer Requests	Number of MAPI SyncGetBuffer calls made. Each call downloads a chunk of data from a cached folder.
Minimum Synch Get Buffer Size (bytes)	Minimum chunk size downloaded by the MAPI SyncGetBuffer call.
Maximum Synch Get Buffer Size (bytes)	Maximum chunk size downloaded by the MAPI SyncGetBuffer call.
Average Synch Get Buffer Size (bytes)	Average chunk size downloaded by the MAPI SyncGetBuffer call.
Number of Read Stream Requests	Number of MAPI ReadStream calls made. Each call downloads a chunk of data from a noncached folder.
Minimum Read Stream Buffer Size (bytes)	Minimum chunk size downloaded by the MAPI ReadStream call.
Maximum Read Stream Buffer Size (bytes)	Maximum chunk size downloaded by the MAPI ReadStream call.
Average Read Stream Buffer Size (bytes)	Average chunk size downloaded by the MAPI ReadStream call.
Minimum Accumulated Read Ahead Data Size (bytes)	Minimum data size for MAPI read ahead.
Maximum Accumulated Read Ahead Data Size (bytes)	Maximum data size for MAPI read ahead.

Table 3-78 Field Descriptions for the show statistics accelerator mapi detail Command

Field	Description
Average Accumulated Read Ahead Data Size (bytes)	Average data size for MAPI read ahead.
Local Response Count	Number of local MAPI command responses sent to the client without waiting for a response from the peer WAE.
Average Local Response Time (usec)	Average time used for local responses, in microseconds.
Remote Response Count	Number of MAPI commands forwarded to the Exchange server for a response.
Average Remote Response Time (usec)	Average time used for remote responses, in microseconds.
Number of Write Stream Requests	Number of write stream requests.
Minimum Async Write Stream Buffer Size (bytes)	Minimum size of the asynchronous request stub sent on the WAN, calculated from the minimum stub size across all sessions.
Maximum Async Write Stream Buffer Size (bytes)	Maximum size of the asynchronous request stub sent on the WAN, calculated from the maximum stub size across all sessions.
Average Async Write Stream Buffer Size (bytes)	Average size of the asynchronous request stub sent on the WAN, calculated by taking the average of the stub size across all sessions.
Current 2000 Accelerated Sessions	Number of accelerated sessions to Outlook 2000 clients. Sessions (users), not TCP connections.
Current 2003 Accelerated Sessions	Number of accelerated sessions to Outlook 2003 clients. Sessions (users), not TCP connections.
Current 2007 Accelerated Sessions	Number of accelerated sessions to Outlook 2007 clients. Sessions (users), not TCP connections.
Lower than 2000 Sessions	Number of sessions to clients using a version of Outlook lower than Outlook 2000. Such connections are not accelerated by the MAPI accelerator but are passed through.
Unsupported Higher Client Version Sessions	Number of sessions to clients using a version of Outlook higher than that supported. Such connections are not accelerated by the MAPI accelerator but are passed through.
Async Write Optimization Statistics	
Current Number Of Async Write Stubs On WAN	Current number of asynchronous requests on the WAN.
Current Number Of Requests Queued Due To Flow Control	Current number of client session flows that were blocked due to threshold limit.
Current Number Of Requests Queued Due To RopBackOff	Current number of client session flows that were blocked due to ropbackoff response.
Total Number Of RopBackOff Response Received	Total number of ropbackoff responses received across all connections.

Table 3-78 Field Descriptions for the *show statistics accelerator mapi detail* Command

Field	Description
Total RopBackOff Duration (msec)	Cumulative time of ropbackoff durations across all connections, in milliseconds.
Total Wait Time Of Requests Queued Due To FlowControl (msec)	Cumulative wait time of requests queued due to flow control across all connections, in milliseconds.
Total Wait Time Of Requests Queued Due To RopBackOff (msec)	Cumulative wait time of requests queued due to ropbackoff across all connections, in milliseconds.
Connection Hand-Off Reasons	This section lists the number of connections handed off from the MAPI accelerator to the generic accelerator for various reasons.
Association Group (AG) Statistics	
Average Active AGs In The Last Hour	Average number of active AGs in the last hour. This number is zero if statistics were reset/cleared within one hour.
Average Active Connections Used By AGs In The Last Hour	Average number of active connections used by AGs in the last hour. This number is zero if statistics were reset/cleared within one hour.
Average Active AGs In The Last 5min	Average number of active AGs in the last five minutes. This number is zero if statistics were reset/cleared within five minutes.
Average Active Connections Used By AGs In The Last 5min	Average number of active connections used by AGs in the last five minutes. This number is zero if statistics were reset/cleared within five minutes.
Current Active AGs	Number of current active AGs.
Current Active Connections Used By AGs	Number of current active connections used by AGs.
Max Active AGs Since Last Reset/Cleared	Number of max active AGs since last reset/cleared.
Active Connections When Max Active AGs Since Last Reset/Cleared	Number of active connections when max active AGs since last reset/cleared.
Max Active Connections Within an AG Since Last Reset/Cleared	Number of max active connections within an AG since last reset/cleared.
Max Total Active Connections Since Last Reset/Cleared	Number of max total active connections since last reset/cleared.
AGs When Max Total Active Connections Since Last Reset/Cleared	Number of AGs when max total active connections since last reset/cleared.
Total AGs	Number of total AGs.
Total Handed Off AGs due to Reservation Failure	Number of total handed off AGs due to reservation failure.
Total Handed Off AGs Tracked by MAPI AO	Number of total handed off AGs tracked by MAPI AO.
Current Handed Off AGs Tracked by MAPI AO	Number of current handed off AGs tracked by MAPI AO.
Reserved Connections Pool Statistics	
Current In-Use Connections	Number of current in-use connections.

Table 3-78 Field Descriptions for the *show statistics accelerator mapi detail* Command

Field	Description
Current Reserved (Unused) Connections	Number of current reserved but still not used connections.
Average In-Use Connections in Last One Hour	Average number of average in-use connections in the last hour. This number is zero if statistics were reset/cleared within one hour.
Average Reserved (Unused) Connections in Last One Hour	Average number of average reserved but unused connections in the last hour. This number is zero if statistics were reset/cleared within one hour.
Average In-Use Connections in Last 5min	Average number of average in-use connections in the last five minutes. This number is zero if statistics were reset/cleared within five minutes.
Average Reserved (Unused) Connections in Last 5min	Average number of reserved (unused) connections in the last five minutes. This number is zero if statistics were reset/cleared within five minutes.
Configured Maximum Reserved (Unused) Connections	Maximum reserved connections configured but not used.
Exchange Server Error Statistics	This section lists the number of errors of various types that were returned by the Exchange server.
Policy Engine Statistics	
Session timeouts	The number of times the accelerator application did not issue a keepalive to the Policy Engine in a timely manner. A session refers to the particular registration of the accelerator application within the Policy Engine.
Total timeouts	The total number of times the accelerator application did not issue a keepalive to the Policy Engine in a timely manner. This may encompass multiple registrations.
Last keepalive received	The amount of time since the last keepalive (seconds).
Last registration occurred	The amount of time since the accelerator application registered with the Policy Engine (seconds). Most likely causes are: <ul style="list-style-type: none"> • WAE was rebooted • Configuration change with the accelerator application enabled • Restart of the accelerator application by the Node Manager
Hits	Number of connections that had a configured policy that specified the use of the accelerator application.
Updated Released	Number of hits that were released during Auto-Discovery and did not make use of the accelerator application.
Active Connections	Number of hits that represent either active connections using the accelerator application or connections that are still in the process of performing Auto-Discovery.

Table 3-78 Field Descriptions for the *show statistics accelerator mapi detail* Command

Field	Description
Completed Connections	Number of hits that have made use of the accelerator application and have completed.
Drops	Number of hits that attempted use of the accelerator application but were rejected for some reason. A separate hit and drop will be tallied for each TCP SYN packet received for a connection. This includes the original SYN and any retries.
Rejected Connection Counts Due To: (Total:)	<ul style="list-style-type: none"> • The number of all of the reject reasons that represent hits that were not able to use the accelerator applications. Reject reasons include the following: • Not registered • Keepalive timeout • No license • Load level not within range • Connection limit exceeded • Rate limit exceeded (a new connection exceeded the number of connections allowed within the time window) • Minimum TFO not available • Resource manager (minimum resources not available) • Global config optimization disabled • TFO limit exceeded (systemwide connection limit reached) • Server-side invoked • DM deny (Policy Engine dynamic match deny rule matched) • No DM accept was matched
Rejected Connections Of Interest Due To Unavailable Resources	Number of connections rejected due to unavailable resources. Incremented when a new MAPI connection arrives that matches an existing MAPI specific dynamic policy but there are no resources available in the reserved pool to accept it; the connection is passed through.
Rejected Connections Of Interest Due To Unavailable Peer	Number of connections rejected due to unavailable peer. Incremented when a new MAPI connection arrives that matches an existing MAPI specific dynamic policy but there is no remote MAPI peer or the remote peer is unable to accept it; the connection is passed through.
Auto-Discovery Statistics	
Connections queued for accept	Number of connections added to the accelerator connection accept queue by auto discovery.

Table 3-78 Field Descriptions for the `show statistics accelerator mapi detail` Command

Field	Description
Accept queue add failures	Number of connections that could not be added to the accelerator connection accept queue due to a failure. The failure could possibly be due to accelerator not being present, or a queue overflow.
AO discovery successful	For the accelerators that work in dual-ended mode, accelerator discovery (as part of auto discovery) is performed. This counter indicates the number of times accelerator discovery was successful.
AO discovery failure	The number of times accelerator discovery failed. Possible reasons include accelerator not being enabled or running on the peer WAE, or the license not configured for the accelerator.

[Table 3-79](#) describes the fields shown in the `show statistics accelerator nfs detail` command display.

Table 3-79 Field Descriptions for the `show statistics accelerator nfs detail` Command

Field	Description
Time Accelerator was started	Time that the accelerator was started.
Time Statistics were Last Reset/Cleared	Time that the statistics were last reset.
Total Handled Connections	Number of connections handled since the accelerator was started.
Total Optimized Connections	Number of connections optimized by the accelerator.
Total Connections Handed-off with Compression Policies Unchanged	Number of connections received by the accelerator but to which only generic optimizations were done (no acceleration).
Total Dropped Connections	Number of connections dropped for reasons other than client/server socket errors or close.
Current Active Connections	Number of connections currently being handled by the accelerator.
Current Pending Connections	Number of connections currently pending for the accelerator.
Maximum Active Connections	Maximum number of simultaneous connections handled by the accelerator.
Total RPC Calls per Authentication Flavor	Array of the number of RPC calls for each NFS authentication type.
Total RPC Calls with Unknown Authentication Flavor	Number of RPC calls with an unknown authentication type.
Total RPC Calls per NFS version	Array of the number of RPC calls for each NFS version.
Total RPC Calls with Unknown NFS Version	Number of RPC calls with an unknown NFS version.
Total Requests	Total number of NFS requests received.

Table 3-79 Field Descriptions for the `show statistics accelerator nfs detail` Command (continued)

Field	Description
Total Local Replies	Number of requests that resulted in WAAS generating a local reply.
Percentage of Requests Served Locally	Percentage of requests served locally by the WAAS device.
Percentage of Requests Served Remotely	Percentage of requests served remotely by the NFS server.
Average Time to Generate Local READ Reply (ms)	Average time to generate a local read reply, in milliseconds.
Average Time to Generate Local WRITE Reply (ms)	Average time to generate a local write reply, in milliseconds.
Average Time to Generate Local GETATTR Reply (ms)	Average time to generate a local GETATTR reply, in milliseconds.
Average Time to Generate Local Reply (ms)	Average time to generate a local reply, in milliseconds.
Average Time to Receive Remote Reply (ms)	Average time to receive a remote reply from the NFS server, in milliseconds.
Meta-Data Cache Access Count	Number of times the meta data cache as accessed.
Meta-Data Cache Hit Count	Number of meta data cache hits.
Remaining number Of Entries in Meta-Data Cache	Number of available entries in the meta data cache.
Meta-Data Cache Hit Ratio	Percentage of meta data accesses served from the meta data cache.
Policy Engine Statistics	
Session timeouts	The number of times the accelerator application did not issue a keepalive to the Policy Engine in a timely manner. A session refers to the particular registration of the accelerator application within the Policy Engine.
Total timeouts	The total number of times the accelerator application did not issue a keepalive to the Policy Engine in a timely manner. This may encompass multiple registrations.
Last keepalive received	The amount of time since the last keepalive (seconds).
Last registration occurred	The amount of time since the accelerator application registered with the Policy Engine (seconds). Most likely causes are: <ul style="list-style-type: none"> • WAE was rebooted • Configuration change with the accelerator application enabled • Restart of the accelerator application by the Node Manager
Hits	Number of connections that had a configured policy that specified the use of the accelerator application.

Table 3-79 Field Descriptions for the `show statistics accelerator nfs detail` Command (continued)

Field	Description
Updated Released	Number of hits that were released during Auto-Discovery and did not make use of the accelerator application.
Active Connections	Number of hits that represent either active connections using the accelerator application or connections that are still in the process of performing Auto-Discovery.
Completed Connections	Number of hits that have made use of the accelerator application and have completed.
Drops	Number of hits that attempted use of the accelerator application but were rejected for some reason. A separate hit and drop will be tallied for each TCP SYN packet received for a connection. This includes the original SYN and any retries.
Rejected Connection Counts Due To: (Total:)	<ul style="list-style-type: none"> • The number of all of the reject reasons that represent hits that were not able to use the accelerator applications. Reject reasons include the following: • Not registered • Keepalive timeout • No license • Load level not within range • Connection limit exceeded • Rate limit exceeded (a new connection exceeded the number of connections allowed within the time window) • Minimum TFO not available • Resource manager (minimum resources not available) • Global config optimization disabled • TFO limit exceeded (systemwide connection limit reached) • Server-side invoked • DM deny (Policy Engine dynamic match deny rule matched) • No DM accept was matched
Auto-Discovery Statistics	
Connections queued for accept	Number of connections added to the accelerator connection accept queue by auto discovery.
Accept queue add failures	Number of connections that could not be added to the accelerator connection accept queue due to a failure. The failure could possibly be due to accelerator not being present, or a queue overflow.

Table 3-79 Field Descriptions for the `show statistics accelerator nfs detail` Command (continued)

Field	Description
AO discovery successful	For the accelerators that work in dual-ended mode, accelerator discovery (as part of auto discovery) is performed. This counter indicates the number of times accelerator discovery was successful.
AO discovery failure	The number of times accelerator discovery failed. Possible reasons include accelerator not being enabled or running on the peer WAE, or the license not configured for the accelerator.

[Table 3-80](#) describes the fields shown in the `show statistics accelerator ssl detail` command display.

Table 3-80 Field Descriptions for the `show statistics accelerator ssl detail` Command

Field	Description
Time Accelerator was started	Time stamp of when the accelerator was started. Will change if the accelerator is restarted for any reason.
Time Statistics were Last Reset/Cleared	Time stamp of when the accelerator statistics were last set to zero. This value should be the same as the Time Accelerator was started field if the <code>clear stat accelerator all</code> or <code>clear stat accelerator ssl</code> commands were never issued. Otherwise it will show the time at which the <code>clear stat accelerator all</code> or <code>clear stat accelerator ssl</code> commands were last issued.
Total Handled Connections	The number of connections that the SSL accelerator received to provide acceleration services. This includes connections that may have been accelerated successfully, as well as connections which may have experienced errors after arriving at the SSL accelerator.
Total Optimized Connections	The number of connections in which a successful SSL handshake was completed and the connection entered the data transfer phase. Connections that experienced errors during SSL handshake are not counted here. Connections that experienced errors after handshake are counted here. Connections that experienced errors during SSL re-handshake (renegotiation) are also counted here.
Total Connections Handed-off with Compression Policies Unchanged	The number of connections that the SSL accelerator bypassed. No acceleration of these connections was done. This could be because SSL version 2 was negotiated, non-SSL traffic was detected, or SSL accelerator version and/or cipher configuration dictated that the connection should be bypassed.

Table 3-80 Field Descriptions for the `show statistics accelerator ssl detail` Command (continued)

Field	Description
Total Dropped Connections	The number of connections that the SSL accelerator ended prematurely. This could be due to verification failures, revocation check failures, errors detected during the handshake or data transfer phase of the connection, or due to internal errors. Other counters below may shed more light as to why connections were dropped.
Current Active Connections	The number of connections currently being optimized by the SSL accelerator.
Current Pending Connections	The number of connections that have been determined to be accelerated by the SSL accelerator, and have been queued to be picked up by the accelerator.
Maximum Active Connections	The maximum value ever reached by the Current Active Connections counter. This counter will be reset if the accelerator is restarted or statistics are cleared.
Total LAN Bytes Read	The number of bytes read by the SSL accelerator from the original side of the flow.
Total Reads on LAN	The number of read operations performed by the SSL accelerator on the original side of the flow.
Total LAN Bytes Written	The number of bytes written by the SSL accelerator on the original side of the flow.
Total Writes on LAN	The number of write operations performed by the SSL accelerator on the original side of the flow.
Total WAN Bytes Read	The number of bytes read by the SSL accelerator from the optimized side of the flow.
Total Reads on WAN	The number of read operations performed by the SSL accelerator on the optimized side of the flow.
Total WAN Bytes Written	The number of bytes written by the SSL accelerator on the optimized side of the flow.
Total Writes on WAN	The number of write operations performed by the SSL accelerator on the optimized side of the flow.
Total LAN Handshake Bytes Read	The number of bytes read from the original side of flows during the handshake phase of flows.
Total LAN Handshake Bytes Written	The number of bytes written to the original side of flows during the handshake phase of flows.
Total WAN Handshake Bytes Read	The number of bytes read to the optimized side of flows during the handshake phase of flows.
Total WAN Handshake Bytes Written	The number of bytes written to the optimized side of flows during the handshake phase of flows.
Total Accelerator Bytes Read	An SSL accelerator internal counter. (Bytes read from original side of DRE).
Total Accelerator reads	An SSL accelerator internal counter. (Read operations performed on original side of DRE).

Table 3-80 Field Descriptions for the `show statistics accelerator ssl detail` Command (continued)

Field	Description
Total Accelerator Bytes Written	An SSL accelerator internal counter. (Bytes written to original side of DRE).
Total Accelerator Writes	An SSL accelerator internal counter. (Write operations performed on original side of DRE).
Total DRE Bytes Read	An SSL accelerator internal counter. (Bytes read from optimized side of DRE).
Total DRE Reads	An SSL accelerator internal counter. (Read operations performed on the optimized side of DRE).
Total DRE Bytes Written	An SSL accelerator internal counter. (Bytes read from optimized side of DRE).
Total DRE Writes	An SSL accelerator internal counter. (Write operations performed on the optimized side of DRE).
Total Failed Handshakes	The number of connections that ended during the handshake phase.
Pipe-through due to cipher mismatch	The number of connections bypassed by SSL accelerator because the SSL cipher negotiated on the flow is configured to be not optimized, or not supported by the WAAS device.
Pipe-through due to version mismatch	The number of connections bypassed by SSL accelerator because the SSL version negotiated on the flow is configured to be not optimized, or not supported by the WAAS device.
Pipe-through due to non-matching domain name	The number of connections bypassed by SSL accelerator because the destination domain did not match the domains specified to be accelerated.
Pipe-through due to unknown reason	The number of connections bypassed by SSL accelerator because of unknown reasons.
Pipe-through due to detection of non-SSL traffic	The number of connections bypassed by SSL accelerator because the content of the flow did not appear to contain SSL messages.
Total SSLv3 Negotiated on LAN	The number of connections that used SSL version 3 on the original side of the flow.
Total TLSv1 Negotiated on LAN	The number of connections that used TLS version 1 on the original side of the flow.
Total SSLv3 Negotiated on WAN	The number of connections that used SSL version 3 on the optimized side of the flow.
Total TLSv1 Negotiated on WAN	The number of connections that used TLS version 1 on the optimized side of the flow.
Total SSLv3 Negotiated on Peer	The number of connections that used SSL version 3 on the control connection between WAAS devices.
Total TLSv1 Negotiated on Peer	The number of connections that used TLS version 1 on the control connection between WAAS devices.

Table 3-80 Field Descriptions for the `show statistics accelerator ssl detail` Command (continued)

Field	Description
Total renegotiations requested by server	The number of SSL “Hello Request” messages detected by the SSL accelerator.
Total SSL renegotiations performed	The number of SSL renegotiation attempts (successful and unsuccessful) detected by the SSL accelerator.
[W2W-Srvr] Number of session hits	The number of times inter-WAAS SSL session resumption was successful on flows where this WAE was the Core WAE.
[W2W-Srvr] Number of session misses	The number of times inter-WAAS SSL full handshake was carried out, on flows where this WAE was the Core WAE.
[W2W-Srvr] Number of sessions timedout	The number of SSL sessions that were not reused because they were timed out.
[W2W-Srvr] Number of sessions deleted because of cache full	The number of sessions evicted from inter-WAAS session cache to make room for new sessions.
[W2W-Srvr] Number of bad sessions deleted	The number of sessions evicted from inter-WAAS session cache as they were rendered unsuitable for reuse, likely due to connection errors.
[W2W-Comm] Number of sessions inserted into cache	The number of sessions inserted into the inter-WAAS session cache
[W2W-Comm] Number of sessions evicted from cache	The number of sessions evicted from the inter-WAAS session cache.
[W2W-Comm] Number of sessions in cache	The number of session currently cached in the inter-WAAS session cache.
[W2W-Clnt] Number of session hits	The number of times an inter-WAAS session resumption was successful on flows where this WAE was the Edge WAE.
[W2W-Clnt] Number of session misses	The number of times an inter-WAAS full SSL handshake was carried out, on flows where this WAE was the Edge WAE
[W2W-Clnt] Number of sessions timedout	The number of SSL sessions that were not reused because they were timed out
[W2W-Clnt] Number of sessions deleted because of cache full	The number of sessions evicted from inter-WAAS session cache to make room for new sessions
[W2W-Clnt] Number of bad sessions deleted	The number of sessions evicted from inter-WAAS session cache as they were rendered unsuitable for reuse, likely due to connection errors.
[C2S-Srvr] Number of session hits	The number of times a client-requested session was found in the client-facing session cache (even if eventually a full handshake had to be carried out due to session miss between Core WAE and server).
[C2S-Srvr] Number of session misses	The number of times a client-requested session was not found in the client-facing session cache.

Table 3-80 Field Descriptions for the *show statistics accelerator ssl detail* Command (continued)

Field	Description
[C2S-Srvr] Number of sessions timedout	The number of sessions in the client-facing session cache that were not reused because they were timed out.
[C2S-Srvr] Number of sessions deleted because of cache full	The number of sessions evicted from the client-facing session cache to make room for new sessions.
[C2S-Srvr] Number of bad sessions deleted	The number of sessions evicted from the client-facing session cache as they were rendered unsuitable for reuse, likely due to connection errors.
[C2S-Srvr] Number of sessions inserted into cache	The number of sessions inserted into the client-facing session cache.
[C2S-Srvr] Number of sessions evicted from cache	The number of sessions evicted from the client-facing session cache.
[C2S-Srvr] Number of sessions in cache	The number of sessions currently cached in the client-facing session cache.
[C2S-Clnt] Number of session hits	The number of times a Core-WAE requested session was successfully reused between the Core WAE and server.
C2S-Clnt] Number of session misses	The number of times a full SSL handshake had to be carried out between the Core WAE and server.
[C2S-Clnt] Number of sessions timedout	The number of times a session in the server-facing session cache could not be reused because it was timed out.
[C2S-Clnt] Number of sessions deleted because of cache full	The number of sessions evicted from the server-facing session cache to make room for new sessions.
[C2S-Clnt] Number of bad sessions deleted	The number of sessions evicted from the server-facing session cache as they were rendered unsuitable for reuse, likely due to connection errors.
[C2S-Clnt] Number of sessions inserted into cache	The number of sessions inserted into the server-facing session cache.
[C2S-Clnt] Number of sessions evicted from cache	The number of sessions evicted from the server-facing session cache.
[C2S-Clnt] Number of sessions in cache	The number of sessions currently cached in the server-facing session cache.
Total Successful Certificate Verifications	The number of times a certificate was successfully verified (could be client or server).
Total Failed Certificate Verifications	The number of times a certificate verification failed (could be for various reasons, other counters may indicate why).
Failed certificate verifications due to invalid certificates	The number of certificate verification attempts failed because the certificate was invalid. An inspection of the SSL accelerator errorlog may indicate the reasons.
Failed Certificate Verifications based on OCSP Check	The number of certificate verification attempts deemed unsuccessful based on results of OCSP revocation check.

Table 3-80 Field Descriptions for the `show statistics accelerator ssl detail` Command (continued)

Field	Description
Failed Certificate Verifications (non OCSP)	The number of certificate verification attempts deemed unsuccessful based on results of the certificate verification operation.
Total Failed Certificate Verifications due to Other Errors	The number of certificate verification failures due to other problems (including internal errors). An inspection of the SSL accelerator errorlog may indicate the reasons.
Total OCSP Connections Outstanding	The number of OCSP requests currently in progress.
Total OCSP Requests Processed	The number of OCSP requests completed (including successful and unsuccessful responses).
Maximum Concurrent OCSP Requests	The maximum value ever reached by Total OCSP Connections Outstanding counter. This will be reset if the accelerator is restarted or statistics are cleared.
Total Successful OCSP Requests	The number of OCSP requests that were completed with a valid response from the OCSP responder.
Total Successful OCSP Requests Returning OK Status	The number of OCSP request where the certificate status was OK.
Total Successful OCSP Requests with 'NONE' Revocation	The number of OCSP requests where the OCSP status was deemed OK because of fallback to method configuration: none.
Total Successful OCSP Requests Returning REVOKED Status	The number of OCSP requests where the certificate status was REVOKED.
Total Successful OCSP Requests Returning UNKNOWN Status	The number of OCSP requests where the responder did not know the status of the certificate.
Total Failed OCSP Requests	The number of OCSP requests which could not be completed successfully.
Total Failed OCSP Requests due to Other Errors	The number of OCSP requests deemed failed due to internal errors.
Total Failed OCSP Requests due to Connection Errors	The number of OCSP requests deemed failed because a connection to the OCSP responder could not be set up.
Total Failed OCSP Requests due to Connection Timeouts	The number of OCSP requests deemed failed because no response was received from the OCSP responder.
Total Failed OCSP Requests due to Insufficient Resources	The number of OCSP requests deemed failed because there was insufficient memory to carry out the revocation check.
Total OCSP Bytes Read	The number of bytes read from connections to OCSP responders.
Total OCSP Write Bytes	The number of bytes written to connections to OCSP responders.
Flows dropped due to verification check	The number of connections dropped by this WAE because verification of the client or server certificate failed.

Table 3-80 Field Descriptions for the `show statistics accelerator ssl detail` Command (continued)

Field	Description
Flows dropped due to revocation check	The number of connections dropped by this WAE because revocation check of the client or server certificate failed.
Flows dropped due to other reasons	The number of connections dropped by this WAE because of errors which may have prevented the verification check or revocation check from returning a valid result. An inspection of the SSL accelerator errorlog may indicate the reasons.

[Table 3-81](#) describes the fields shown in the `show statistics accelerator video detail` command display.

Table 3-81 Field Descriptions for the `show statistics accelerator video detail` Command

Field	Description
Time elapsed since “clear statistics”	Time elapsed since the statistics were last reset.
Connections handled	
Total handled	Number and percentage of connections handled.
Windows-media live accelerated	Number and percentage of accelerated connections.
Un-accelerated pipethrough	Number and percentage of connections passed through the video accelerator but not accelerated.
Un-accelerated dropped due to config	Number and percentage of connections dropped because the video accelerator detected that the connection could not be accelerated and was configured to drop unaccelerated video traffic. See the fields in the Unaccelerated Connections section for the reasons that the video accelerator cannot accelerate a connection.
Error dropped connections	Number and percentage of dropped connections due to errors.
Windows-media active sessions	
Outgoing (client) sessions	Current and maximum number of active Windows Media sessions with clients.
Incoming (server) sessions	Current and maximum number of active Windows Media sessions with servers.
Unaccelerated Connections	
Total Unaccelerated	Number of unaccelerated connections.
Unsupported player	Number of unaccelerated connections due to an unsupported player.
Unsupported transport	Number of unaccelerated connections due to an unsupported transport.
Unsupported protocol	Number of unaccelerated connections due to an unsupported protocol.
Windows-media VoD	Number of unaccelerated connections due to client requesting a video on demand stream.

Table 3-81 Field Descriptions for the *show statistics accelerator video detail* Command

Field	Description
Max stream bitrate overload	Number of unaccelerated connections due to stream bit-rate overload.
Max aggregate bitrate overload	Number of unaccelerated connections due to aggregate bit-rate overload.
Max concurrent sessions overload	Number of unaccelerated connections due to client session overload.
Other	Number of unaccelerated connections due to other causes.
Error dropped connections	
Total errors	Total number of dropped connections due to errors.
Client timeouts	Number of client timeouts.
Server timeouts	Number of server timeouts.
Client stream errors	Number of client stream errors.
Server stream errors	Number of server stream errors.
Other errors	Number of other errors.
Windows-media byte savings	
% Bytes saved	Percentage of bytes saved by the video accelerator.
Incoming (server) bytes	Number of incoming bytes.
Outgoing (client) bytes	Number of outgoing bytes.
Windows-media aggregate bitrate	
Total bitrate	Total current and maximum bit rate, including both incoming and outgoing traffic.
Outgoing (client) bitrate	Current and maximum bit rate to clients.
Incoming (server) bitrate	Current and maximum bit rate from servers.
Policy Engine Statistics	
Session timeouts	The number of times the accelerator application did not issue a keepalive to the Policy Engine in a timely manner. A session refers to the particular registration of the accelerator application within the Policy Engine.
Total timeouts	The total number of times the accelerator application did not issue a keepalive to the Policy Engine in a timely manner. This may encompass multiple registrations.
Last keepalive received	The amount of time since the last keepalive (seconds).

Table 3-81 Field Descriptions for the *show statistics accelerator video detail* Command

Field	Description
Last registration occurred	The amount of time since the accelerator application registered with the Policy Engine (seconds). Most likely causes are: <ul style="list-style-type: none"> • WAE was rebooted • Configuration change with the accelerator application enabled • Restart of the accelerator application by the Node Manager
Hits	Number of connections that had a configured policy that specified the use of the accelerator application.
Updated Released	Number of hits that were released during Auto-Discovery and did not make use of the accelerator application.
Active Connections	Number of hits that represent either active connections using the accelerator application or connections that are still in the process of performing Auto-Discovery.
Completed Connections	Number of hits that have made use of the accelerator application and have completed.
Drops	Number of hits that attempted use of the video accelerator application but were dropped by the Policy Engine because it detected an overload condition and the video accelerator was configured to drop unaccelerated video traffic due to overload conditions. A separate hit and drop will be tallied for each TCP SYN packet received for a connection. This includes the original SYN and any retries.

Table 3-81 Field Descriptions for the *show statistics accelerator video detail* Command

Field	Description
Rejected Connection Counts Due To: (Total:)	<ul style="list-style-type: none"> • The number of all of the reject reasons that represent hits that were not able to use the accelerator applications. Reject reasons include the following: • Not registered • Keepalive timeout • No license • Load level not within range • Connection limit exceeded • Rate limit exceeded (a new connection exceeded the number of connections allowed within the time window) • Minimum TFO not available • Resource manager (minimum resources not available) • Global config optimization disabled • TFO limit exceeded (systemwide connection limit reached) • Server-side invoked • DM deny (Policy Engine dynamic match deny rule matched) • No DM accept was matched
Auto-Discovery Statistics	
Connections queued for accept	Number of connections added to the accelerator connection accept queue by auto discovery.
Accept queue add failures	Number of connections that could not be added to the accelerator connection accept queue due to a failure. The failure could possibly be due to accelerator not being present, or a queue overflow.
AO discovery successful	For the accelerators that work in dual-ended mode, accelerator discovery (as part of auto discovery) is performed. This counter indicates the number of times accelerator discovery was successful.
AO discovery failure	The number of times accelerator discovery failed. Possible reasons include accelerator not being enabled or running on the peer WAE, or the license not configured for the accelerator.

Related Commands[show accelerator](#)[show statistics connection closed](#)

show statistics aoim

To display AO (accelerator) Information Manager statistics for a WAAS device, use the **show statistics aoim EXEC** command.

show statistics aoim [local | peer | detail]

Syntax Description	aoim	Description
	aoim	Displays statistics for the AO Information Manager for all local application accelerators and all known peers.
	local	Displays statistics only for all locally registered application accelerators.
	peer	Displays statistics only for all peer WAAS devices encountered.
	detail	Displays detailed statistics that include policy engine and auto-discovery statistics.

Defaults No default behavior or values.

Command Modes EXEC

Device Modes application-accelerator

Usage Guidelines Use the **show statistics aoim** command with no options to display statistical information for locally registered application accelerators and all peer WAAS devices that the local WAAS device has encountered.

Examples [Table 3-82](#) describes the statistics that are displayed by the **show statistics aoim EXEC** command. Only the Local AOIM Statistics section is displayed when you use the **local** option. Only the Peer AOIM Statistics section is displayed when you use the **peer** option. The Detailed AOIM Statistics section is displayed only when you use the **detail** option.

Table 3-82 Field Descriptions for the show statistics aoim Command

Field	Description
Local AOIM Statistics	
Total # Peer Syncs	Number of times that the AO Information Manager has synchronized with a peer WAAS device.
Current # Peer Syncs in Progress	Number of currently active peer synchronizations in progress.
Maximum # Peer Syncs in Progress	Historical maximum number of concurrently active peer synchronizations in progress.
AOIM DB Size	Memory size of the AO Information Management database.

Table 3-82 *Field Descriptions for the show statistics aoim Command (continued)*

Field	Description
Number of Peers	Number of known or encountered peer WAAS devices.
Number of Local AOs	Number of application accelerators registered on this WAAS device.
Total # of AO Handoffs & Inserts	Number of application accelerators invoked to handle a connection once a peer synchronization has completed.
AO	Name of the locally registered application accelerator.
Version	Software version of the locally registered application accelerator.
Registered	Registration status of the local application accelerator. An application accelerator may be deregistered but the AO Information Manager will still retain knowledge about it, marking it as unregistered.
# Handoffs	Number of times a connection was passed directly to the application accelerator after a peer synchronization has completed.
# Inserts	Number of times a connection was passed indirectly to the application accelerator after a peer synchronization has completed.
# Incompatible	Number of times a connection was not passed to the application accelerator due to software incompatibility with the peer application accelerator on the peer WAAS device after synchronization has completed.
Peer AOIM Statistics	
Number of Peers	Number of peer WAAS devices encountered.
PEER	MAC address of the peer WAAS device, and whether it has been formally registered with the AO Information database.
Peer Software Version	WAAS software version and build number running on the peer WAAS device. WAAS software versions prior to 4.1 do not have the AO Information Management mechanism, so they are reported as having a software version of 4.0.x.
Peer IP Address	IP address of the primary network interface of the peer WAAS device.
AO	Name of the registered application accelerator on the peer WAAS device.
VERSION	Software version of the registered application accelerator on the peer WAAS device.
COMPATIBLE	The compatibility status of the application accelerator on the peer WAAS device with a matching locally-registered application accelerator on this device. Possible values are Y (yes/compatible), N (no/incompatible), and U (unknown). The unknown state may occur if no matching local application accelerator is registered on the local WAAS device.
#CONNS	Number of incoming connections found to have a compatible application accelerator on both the local and peer WAAS devices and scheduled to be processed by the locally compatible application accelerator. Certain conditions may result in a discrepancy between a connection being scheduled to be processed by an application accelerator and being successfully processed, so this value may diverge somewhat from the number of connections that a specific local application accelerator reports.
Detailed AOIM Statistics	
Policy Engine Statistics	

Table 3-82 Field Descriptions for the *show statistics aoim* Command (continued)

Field	Description
Session timeouts	The number of times the accelerator application did not issue a keepalive to the Policy Engine in a timely manner. A session refers to the particular registration of the accelerator application within the Policy Engine.
Total timeouts	The total number of times the accelerator application did not issue a keepalive to the Policy Engine in a timely manner. This may encompass multiple registrations.
Last keepalive received	The amount of time since the last keepalive (seconds).
Last registration occurred	The amount of time since the accelerator application registered with the Policy Engine (seconds). Most likely causes are: <ul style="list-style-type: none"> • WAE was rebooted • Configuration change with the accelerator application enabled • Restart of the accelerator application by the Node Manager
Hits	Number of connections that had a configured policy that specified the use of the accelerator application.
Updated Released	Number of hits that were released during Auto-Discovery and did not make use of the accelerator application.
Active Connections	Number of hits that represent either active connections using the accelerator application or connections that are still in the process of performing Auto-Discovery.
Completed Connections	Number of hits that have made use of the accelerator application and have completed.
Drops	Number of hits that attempted use of the accelerator application but were rejected for some reason. A separate hit and drop will be tallied for each TCP SYN packet received for a connection. This includes the original SYN and any retries.

Table 3-82 Field Descriptions for the show statistics aoim Command (continued)

Field	Description
Rejected Connection Counts Due To: (Total:)	<ul style="list-style-type: none"> • The number of all of the reject reasons that represent hits that were not able to use the accelerator applications. Reject reasons include the following: <ul style="list-style-type: none"> • Not registered • Keepalive timeout • No license • Load level not within range • Connection limit exceeded • Rate limit exceeded (a new connection exceeded the number of connections allowed within the time window) • Minimum TFO not available • Resource manager (minimum resources not available) • Global config optimization disabled • TFO limit exceeded (systemwide connection limit reached) • Server-side invoked • DM deny (Policy Engine dynamic match deny rule matched) • No DM accept was matched
Auto-Discovery Statistics	
Connections queued for accept	Number of connections added to the accelerator connection accept queue by auto discovery.
Accept queue add failures	Number of connections that could not be added to the accelerator connection accept queue due to a failure. The failure could possibly be due to accelerator not being present, or a queue overflow.
AO discovery successful	For the accelerators that work in dual-ended mode, accelerator discovery (as part of auto discovery) is performed. This counter indicates the number of times accelerator discovery was successful.
AO discovery failure	The number of times accelerator discovery failed. Possible reasons include accelerator not being enabled or running on the peer WAE, or the license not configured for the accelerator.

Related Commands [show statistics accelerator](#)

show statistics application

To view the performance statistics for applications running on your WAAS device, use the **show statistics application** EXEC command.

```
show statistics application [app_name | savings app_name]
```

Syntax Description		
<i>app_name</i>	Displays the statistics for the name of the application.	
savings <i>app_name</i>	Displays savings statistics for the name of the application.	

Defaults No default behavior or values.

Command Modes EXEC

Device Modes application-accelerator
central-manager

Usage Guidelines The **show statistics application** command displays statistics for all of the application traffic running on your network. To view the statistics for one specific class of applications only, use the *app_name* variable.

[Table 3-83](#) lists the valid *app_name* values you can use with the **show statistics application** EXEC command. For a description of the applications supported by WAAS, see [Appendix A, “Predefined Application Policies”](#) in the *Cisco Wide Area Application Services Configuration Guide*.

Table 3-83 *app_name* Variable Values for the show statistics application Command

app_name Values			
authentication	backup	cad	call-management
conferencing	console	content-management	directory-services
email-and-messaging	enterprise-applications	file-system	file-transfer
instant-messaging	name-services	other	p2p
printing	remote-desktop	replication	sql
ssh	storage	streaming	systems-management
version-management	vpn	wafs	web

Examples [Table 3-84](#) describes the statistics for each class of application that are displayed by the **show statistics application** EXEC command.

Table 3-84 *Statistic Descriptions for the show statistics application Command*

Statistic	Description
Internal Client	Traffic initiated by the WAE device
Internal Server	Traffic terminated by the WAE device
Opt Preposition	Optimized traffic on the WAN side, initiated by the WAE device for preposition purposes
Opt TCP Only	Optimized traffic on the WAN side, optimized at the TFO level only
Opt TCP Plus	Optimized traffic on the WAN side, optimized at the TFO and DRE/LZ/accelerator levels
Orig Preposition	Original traffic (unoptimized) on the LAN side, initiated by the WAE device for preposition purposes
Orig TCP Only	Original traffic on the LAN side, optimized at the TFO level only
Orig TCP Plus	Original traffic on the LAN side, optimized at the TFO and DRE/LZ/accelerator levels
Overall	Combined TCP only, TCP plus, and preposition traffic together
Preposition	Traffic initiated by the WAE device for preposition purposes
PT Client	Pass-through traffic going from the client to the server
PT Config	Traffic that was passed through because of a defined policy
PT Intermediate	Traffic that was passed through because the WAE device is between two other WAE devices
PT No Peer	Traffic that was passed through because there was no peer WAAS device
PT Server	Pass-through traffic going from the server to the client
PT_Other	Traffic that was passed through because of WAAS device overload, asymmetric routing, blacklisting, or several other reasons
TCP Only	Traffic that is optimized at the TFO level only
TCP Plus	Traffic that is optimized at the TFO and DRE/LZ/accelerator levels

Table 3-85 describes the result values shown for the statistics in the **show statistics application** command display.

Table 3-85 *Result Value Descriptions for the show statistics application Command*

Result	Description
Bytes	The amount of traffic shown as a count of the number of bytes
Packets	The amount of traffic shown as a count of the number of packets
Inbound	Traffic received by the WAE device
Outbound	Traffic sent by the WAE device
Active	The number of connections that are active
Completed	The number of connection that have been completed
Compression Ratio	The amount of compressed traffic compared to the amount of original, uncompressed traffic

Related Commands [show statistics](#)

show statistics authentication

To display authentication statistics for a WAAS device, use the **show statistics authentication** EXEC command.

show statistics authentication

Syntax Description This command has no arguments or keywords.

Defaults No default behavior or values.

Command Modes EXEC

Device Modes application-accelerator
central-manager

Usage Guidelines Use the **show statistics authentication** command to display the number of authentication access requests, denials, and allowances recorded.

Examples The following is sample output from the **show statistics authentication** command. It displays the statistics related to authentication on the WAAS device.

```
WAE# show statistics authentication
Authentication Statistics
-----
Number of access requests:      115
Number of access deny responses: 12
Number of access allow responses: 103
```

Related Commands [\(config\) authentication configuration](#)
[clear arp-cache](#)
[show authentication](#)

show statistics auto-discovery

To display Traffic Flow Optimization (TFO) auto-discovery statistics for a WAE, use the **show statistics auto-discovery EXEC** command.

show statistics auto-discovery [blacklist]

Syntax Description	blacklist (Optional) Displays the blacklist server statistics.
Defaults	No default behavior or values.
Command Modes	EXEC
Device Modes	application-accelerator

Examples [Table 3-86](#) describes the result values shown for the statistics in the **show statistics application** command display.

Table 3-86 Result Value Descriptions for the show statistics auto-discovery Command

Result	Description
Auto discovery structure	
Allocation Failure	Number of auto-discovery allocation failures.
Allocation Success	Number of auto-discovery allocation successes.
Deallocations	Number of auto-discovery connections that were deallocated.
Timed Out	Number of autodiscovery allocations that timed out.
Auto discovery table	
Bucket Overflows	Number of auto-discovery table buffer overflows.
Table Overflows	Number of auto-discovery table overflows.
Entry Adds	Number of auto-discovery table option additions.
Entry Drops	Number of auto-discovery table option deletions.
Entry Count	Total number of auto-discovery table option entries.
Lookups	Number of auto-discovery table lookups performed.
Bind hash add failures	Number of hash table binds that failed.
Flow creation failures	Number of flow creation attempts that failed.
Route Lookup	
Failures	Number of route table lookups that failed.
Success	Number of route table lookups that succeeded.

Table 3-86 Result Value Descriptions for the show statistics auto-discovery Command

Result	Description
Socket	
Allocation failures	Number of socket allocations that failed.
Accept pair allocation failures	Number of socket pair allocations that failed.
Unix allocation failures	Number of Unix socket allocations that failed.
Connect lookup failures	Number of socket connection lookups that failed.
Packets	
Memory allocation failures	Number of packet memory allocations that failed.
Total Sent	Total number of auto-discovery packets sent.
Total Received	Total number of auto-discovery packets received.
Incorrect length or checksum received	Number of packets received with an incorrect length or checksum.
Invalid filtering tuple received	Number of packets received with an incorrect filtering tuple.
Received for dead connection	Number of packets received for invalid connections.
Ack dropped in synack received state	Number of acknowledgement packets dropped that were in the synchronize acknowledgement state.
Non Syn dropped in nostate state	Number on non-SYN packets dropped that were in the nostate state.
Syn-ack packets to int. client dropped	Number of synack packets dropped when being sent to internal client.
Packets dropped state already exists	Number of packets for which the dropped state already exists.
Auto discovery failure	
No peer or asymmetric route	Auto-discovery failed because no peer was found, or asymmetric routing configuration was indicated.
Insufficient option space	Auto-discovery failed because there was not enough space to add options.
Invalid option content	Auto-discovery failed because the content of an option was invalid.
Invalid connection state	Auto-discovery failed because the connection state was invalid.
Missing Ack conf	Auto-discovery failed because of missing auto discovery options that were sent from the edge WAE sends to the core WAE on the ack packet.
Intermediate device	Auto-discovery failed because a device was discovered between the WAEs.
Version mismatch	Auto-discovery failed because the WAAS software versions did not match.
Incompatible Peer AO	Auto-discovery failed because the peer accelerator is not compatible with the accelerator on this WAE.

Table 3-86 Result Value Descriptions for the show statistics auto-discovery Command

Result	Description
AOIM Sync with Peer still in progress	Auto-discovery failed because AOIM synchronization is still in progress between the peers.
Auto discovery success TO	
Internal server	The address of the internal server.
External server	The address of the external server.
Auto discovery success FOR	
Internal client	The address of the internal client.
External client	The address of the external client.
Auto discovery success SYN retransmission	
Zero retransmit	No retransmissions were required for auto-discovery SYN success.
One retransmit	One retransmission were required for auto-discovery SYN success.
Two+ retransmit	Two or more retransmissions were required for auto-discovery SYN success.
AO discovery	
AO discovery successful	Auto-discovery of an application optimizer was successful.
AO discovery failure	Auto-discovery of an application optimizer was not successful.
Auto discovery Miscellaneous	
RST received	Number of resets received.
SYNs found with our device id	Number of SYN packets received indicating WAE's device ID.
SYN retransmit count resets	Number of resets to the SYN retransmission count.
SYN-ACK sequence number resets (syncookies)	Number of SYN-ACK packets received with a sequence number reset.
SYN-ACKs found with our device id	Number of SYN-ACK packets received indicating WAE's device ID.
SYN-ACKs found with mirrored options	Number of SYN-ACK packets received with mirrored options.
Connections taken over for MAPI optimization	Number of connections taken over for MAPI acceleration from an overloaded serial cluster peer.

Related Commands

[show auto-discovery](#)
[show statistics filtering](#)
[show statistics tfo](#)
[show statistics connection closed](#)

show statistics cifs

To display the CIFS statistics information, use the **show statistics cifs** EXEC command.

```
show statistics cifs {cache details | requests}
```

Syntax Description	cache details	Statistics for the CIFS cache.
	requests	Statistics for CIFS requests.

Defaults No default behavior or values.

Command Modes EXEC

Device Modes application-accelerator

Usage Guidelines Use the **show statistics cifs** EXEC command to view the CIFS traffic details itemized by request type. The **show statistics cifs** command is useful when you want to understand how the system is being used. For example, are requests mostly for data transfer, browsing, database activity, or for some other purpose? You might correlate these statistics with performance issues for troubleshooting purposes, or you may use them to determine what specific performance optimizations to configure.

Examples [Table 3-87](#) describes the fields in the **show statistics cifs requests** command display.

Table 3-87 Field Descriptions for the **show statistics cifs requests** Command

Field	Description
Statistics gathering period	Number of hours, minutes, seconds, and milliseconds of the statistics gathering period.
Total	Total number of CIFS requests.
Remote	Number of CIFS requests that were not handled from the local cache.
ALL_COMMANDS	Alias for all of the CIFS commands shown.
total	Total number of requests for all commands.
remote	Number of remote requests for all commands.
async	Number of async requests for all commands.
avg local	Average local request time in milliseconds for all commands.
avg remote	Average remote request time in milliseconds for all commands.
CONNECT	Connection check command.
total	Total number of requests for this command.

Table 3-87 *Field Descriptions for the show statistics cifs requests Command (continued)*

Field	Description
remote	Number of remote requests for this command.
async	Number of async requests for this command.
avg local	Average local request time in milliseconds for this command.
avg remote	Average remote request time in milliseconds for this command.
NB_SESSION_REQ	NetBIOS session request command.
VFN_LIVELINESS	Liveliness check command.

Related Commands[cifs](#)[show cifs](#)

show statistics connection

To display all connection statistics for a WAAS device, use the **show statistics connection** EXEC command.

show statistics connection

```
client-ip {ip_address | hostname} | client-port port |
detail [client-ip {ip_address | hostname} | client-port port | peer-id peer_id | server-ip
{ip_address | hostname} | server-port port] |
peer-id peer_id | server-ip {ip_address | hostname} | server-port port] | conn-id connection_id
```

Syntax	Description
client-ip	(Optional) Displays the connection statistics for the client with the specified IP address or hostname.
<i>ip_address</i>	IP address of a client or server.
<i>hostname</i>	Hostname of a client or server.
client-port <i>port</i>	(Optional) Displays the connection statistics for the client with the specified port number (1–65535).
detail	(Optional) Displays detailed connection statistics.
peer-id <i>peer_id</i>	(Optional) Displays the connection statistics for the peer with the specified identifier. Number from 0 to 4294967295 identifying a peer.
server-ip	(Optional) Displays the connection statistics for the server with the specified IP address or hostname.
server-port <i>port</i>	(Optional) Displays the connection statistics for the server with the specified port number (1–65535).
conn-id <i>connection_id</i>	(Optional) Displays the connection statistics for the connection with the specified identifier.

Defaults No default behavior or values.

Command Modes EXEC

Device Modes application-accelerator

Usage Guidelines The **show statistics connection** command displays the statistics for all TCP connections. This information is updated in real time.

Using the **show statistics connection** command with no options displays a summary of all the TCP connections on the WAE. To obtain detailed statistics for a connection, use the command options to filter the connection. While most filters show detail statistics, some filters (such as peer-id) show summary information and not details.

Examples [Table 3-88](#) describes the fields shown in the **show statistics connection** command display.

Table 3-88 Field Descriptions for the show statistics connection Command

Field	Description
Current Active Optimized Flows	Number of current active optimized TCP connections of all types.
Current Active Optimized TCP Plus Flows	Number of current active connections using DRE/LZ optimization or handled by an accelerator.
Current Active Optimized TCP Only Flows	Number of current active connections using TFO optimization only.
Current Active Optimized TCP Preposition Flows	Number of current active connections that were originated by an accelerator to acquire data in anticipation of its future use.
Current Active Auto-Discovery Flows	Number of current active connections in the auto-discovery state.
Current Reserved Flows	Number of connections reserved for the MAPI accelerator. It appears for all accelerators.
Current Active Pass-Through Flows	Number of current active pass-through connections.
Historical Flows	Number of closed TCP connections for which statistical data exists.
Reduction Ratio (RR)	The relative reduction ratio (in bytes) for a particular connection.
ConnID	Identification number assigned to the connection.
Source IP:Port	IP address and port of the incoming source connection.
Dest IP:Port	IP address and port of the outgoing destination connection.
PeerID	The MAC address of the peer device.
Accel	Types of acceleration in use on the connection. D = DRE, L = LZ, T = TCP optimization, C = CIFS, E = EPM, G = generic, H = HTTP, M = MAPI, N = NFS, S = SSL, V = video
Local IP:Port	IP address and port of the incoming local connection.
Remote IP:Port	IP address and port of the outgoing remote connection.
ConnType	The connection type (see Table 3-89).

[Table 3-89](#) describes the possible values found in the ConnType field.

Table 3-89 Connection Types

ConnType	Description
Accelerator Non-Optimized	The connection has been initiated from an external client to an external server and is not optimized.
Accelerator Optimized	The connection has been initiated from an internal client to an external server and is optimized.
App Dyn Mtch Non-Optimized	The connection has been forced through an application dynamic match and is non-optimized by an application accelerator, even though the connection may be optimized by TFO+DRE+LZ.

Table 3-89 Connection Types

ConnType	Description
App Dyn Mtch Optimized	The connection has been forced through an application dynamic match to be optimized, even though the connection may be handled as pass-through.
PT AD Int Error	The connection encountered an internal error during processing by the TFO auto discovery SYN cache.
PT App Cfg	The policy action for this application is configured as pass-through.
PT App Override	The connection is pass-through because the internal application has explicitly requested that the connection not be optimized. This state would only occur if the connection would have otherwise been optimized.
PT Asym Client	The connection is pass-through due to the WAE only seeing one side of the TCP connection (where the src is the client and the dst is the server).
PT Asym Server	The connection is pass-through due to the WAE only seeing one side of the TCP connection (where the dst is the client and the src is the server).
PT Dst Cfg	The policy action for this application is configured as pass-through in the peer WAE.
PT FB Int Error	The connection encountered an internal error during processing by the filter bypass module.
PT_Glb Cfg	The global action is configured as pass-through; that is, TFO, DRE, or LZ are disabled globally on the WAE.
PT In Progress	The connection was already established when the first packet was seen by the WAE.
PT Interception ACL	The connection is pass-through due to an interception ACL denying optimization.
PT Intermediate	The connection is pass-through due to the WAE being in the middle of the best local and remote WAE's (relative to the client and server).
PT No Peer	The connection is pass-through due to no peer WAE being found during TFO auto-discovery.
PT Non-Optimizing Peer	The connection is pass-through because the only peer found is a serially clustered peer and optimization is disabled to the peer.
PT Overload	The TFO application has indicated it is overloaded (that is, the maximum number of optimized connections has been exceeded). New connections not handled by an application accelerator are configured as pass-through.
PT PE Int Error	The connection encountered an internal error during processing by the policy engine.
PT Rjct Capabilities	The connection is pass-through due to auto discovery finding that the peer WAE does not have the required capabilities.
PT Rjct Resources	The connection is pass-through due to auto discovery finding that the peer WAE does not have the required resources.
PT Server Blacklist	The connection is pass-through because the server is on the TFO blacklist as not supporting TCP Option (0x21) being present in the SYN packet.

Related Commands[clear arp-cache](#)[show statistics accelerator](#)[show statistics connection egress-methods](#)

show statistics connection auto-discovery

To display auto-discovery connection statistics for a WAAS device, use the **show statistics connection auto-discovery** EXEC command.

```
show statistics connection auto-discovery
  client-ip {ip_address | hostname} | client-port port | peer-id peer_id |
  server-ip {ip_address | hostname} | server-port port
```

Syntax	Description
auto-discovery	(Optional) Displays active connection statistics for auto-discovery connections.
client-ip	(Optional) Displays the connection statistics for the client with the specified IP address or hostname.
<i>ip_address</i>	IP address of a client or server.
<i>hostname</i>	Hostname of a client or server.
client-port port	(Optional) Displays the connection statistics for the client with the specified port number (1–65535).
peer-id peer_id	(Optional) Displays the connection statistics for the peer with the specified identifier. Number from 0 to 4294967295 identifying a peer.
server-ip	(Optional) Displays the connection statistics for the server with the specified IP address or hostname.
server-port port	(Optional) Displays the connection statistics for the server with the specified port number (1–65535).

Defaults No default behavior or values.

Command Modes EXEC

Device Modes application-accelerator

Usage Guidelines This command displays the statistics for auto-discovery TCP connections. This information is updated in real time.

To obtain detailed statistics for a connection, use the command options to filter the connection. While most filters show detail statistics, some filters (such as peer-id) show summary information and not details.

Examples [Table 3-90](#) describes the fields shown in the **show statistics connection auto-discovery** display.

Table 3-90 Field Descriptions for the show statistics connection auto-discovery Command

Field	Description
Current Active Optimized Flows	Number of current active optimized TCP connections of all types.
Current Active Optimized TCP Plus Flows	Number of current active connections using DRE/LZ optimization or handled by an accelerator.
Current Active Optimized TCP Only Flows	Number of current active connections using TFO optimization only.
Current Active Optimized TCP Preposition Flows	Number of current active connections that were originated by an accelerator to acquire data in anticipation of its future use.
Current Active Auto-Discovery Flows	Number of current active connections in the auto-discovery state.
Current Active Pass-Through Flows	Number of current active pass-through connections.
Historical Flows	Number of closed TCP connections for which statistical data exists.
Local IP:Port	IP address and port of the incoming local connection.
Remote IP:Port	IP address and port of the outgoing remote connection.
PeerID	The MAC address of the peer device.
O-ST	Origin state of the connection. E = Established, S = Syn, A = Ack, F = Fin, R = Reset, s = sent, r = received, O = Options, P = Passthrough
T-ST	Terminal state of the connection. E = Established, S = Syn, A = Ack, F = Fin, R = Reset, s = sent, r = received, O = Options, P = Passthrough
ConnType	Type of the connection (see Table 3-89).

Related Commands[show statistics accelerator](#)[show statistics connection egress-methods](#)

show statistics connection closed

To display closed connection statistics for a WAAS device, use the **show statistics connection closed EXEC** command.

show statistics connection closed

```
[cifs | detail | dre | epm | http | mapi | nfs | ssl | tfo | [video [windows-media]]
[client-ip {ip_address | hostname} | client-port port | conn-id connection_id |
peer-id peer_id | server-ip {ip_address | hostname} | server-port port]
```

Syntax	Description
closed	(Optional) Displays closed connection statistics for optimized connections.
cifs	(Optional) Displays closed connection statistics for connections optimized by the CIFS application accelerator.
detail	(Optional) Displays detailed closed connection statistics.
dre	(Optional) Displays closed connection statistics for connections optimized by the DRE feature.
epm	(Optional) Displays closed connection statistics for connections optimized by the EPM application accelerator.
http	(Optional) Displays closed connection statistics for connections optimized by the HTTP application accelerator.
mapi	(Optional) Displays closed connection statistics for connections optimized by the MAPI application accelerator.
nfs	(Optional) Displays closed connection statistics for connections optimized by the NFS application accelerator.
ssl	(Optional) Displays active connection statistics for connections optimized by the SSL application accelerator.
tfo	(Optional) Displays closed connection statistics for connections optimized by the TFO application accelerator.
video	(Optional) Displays closed connection statistics for connections optimized by the video application accelerator.
windows-media	(Optional) Displays active connection statistics for connections optimized by the video application accelerator for Windows Media streams.
client-ip	(Optional) Displays the closed connection statistics for the client with the specified IP address or hostname.
<i>ip_address</i>	IP address of a client or server.
<i>hostname</i>	Hostname of a client or server.
client-port port	(Optional) Displays the closed connection statistics for the client with the specified port number (1–65535).
conn-id connection_id	(Optional) Displays closed connection statistics for the connection with the specified identifier.
peer-id peer_id	(Optional) Displays the closed connection statistics for the peer with the specified identifier. Number from 0 to 4294967295 identifying a peer.
server-ip	(Optional) Displays the connection statistics for the server with the specified IP address or hostname.
server-port port	(Optional) Displays the connection statistics for the server with the specified port number (1–65535).

Defaults No default behavior or values.

Command Modes EXEC

Device Modes application-accelerator

Usage Guidelines Using the **show statistics connection closed** command with no options displays a summary of the closed TCP connections on the WAE. To obtain detailed statistics for a connection, use the command options to filter the connection. While most filters show detail statistics, some filters (such as peer-id) show summary information and not details.

Examples [Table 3-91](#) describes the fields shown in the **show statistics connection closed** command display.

Table 3-91 *Field Descriptions for the show statistics connection closed Command*

Field	Description
Current Active Optimized Flows	Number of current active optimized TCP connections of all types.
Current Active Optimized TCP Plus Flows	Number of current active connections using DRE/LZ optimization or handled by an accelerator.
Current Active Optimized TCP Only Flows	Number of current active connections using TFO optimization only.
Current Active Optimized TCP Preposition Flows	Number of current active connections that were originated by an accelerator to acquire data in anticipation of its future use.
Current Active Auto-Discovery Flows	Number of current active connections in the auto-discovery state.
Current Active Pass-Through Flows	Number of current active pass-through connections.
Historical Flows	Number of closed TCP connections for which statistical data exists.
ConnID	Identification number assigned to the connection.
Source IP:Port	IP address and port of the incoming source connection.
Dest IP:Port	IP address and port of the outgoing destination connection.
PeerID	The MAC address of the peer device.
Accel	Types of acceleration in use on the connection. D = DRE, L = LZ, T = TCP optimization, C = CIFS, E = EPM, G = generic, H = HTTP, M = MAPI, N = NFS, S = SSL, V = video

Related Commands [clear arp-cache](#)
[show statistics accelerator](#)

■ `show statistics connection closed`

`show statistics connection egress-methods`

show statistics connection conn-id

To display connection ID statistics for a WAAS device, use the **show statistics connection conn-id EXEC** command.

```
show statistics connection conn-id connection_id
```

Syntax Description	conn-id <i>connection_id</i> (Optional) Displays connection statistics for the connection with the specified identifier number.
---------------------------	--

Defaults	No default behavior or values.
-----------------	--------------------------------

Command Modes	EXEC
----------------------	------

Device Modes	application-accelerator
---------------------	-------------------------

Usage Guidelines	The show statistics connection conn-id command displays the statistics for individual TCP connections. This information is updated in real time.
-------------------------	---

Examples	Table 3-87 describes the fields shown in the show statistics connection conn-id command display.
-----------------	---

Table 3-92 *Field Descriptions for the show statistics connection conn-id Command*

Field	Description
Connection Information	
Peer ID	MAC address of the peer device.
Connection Type	Type of connection established with the peer.
Start Time	Date and time connection started.
Source IP Address	IP address of the connection source.
Source Port Number	Port number of the connection source.
Destination IP Address	IP address of the connection destination.
Destination Port Number	Port number of the connection destination.
Application Name	Name of the application traffic on the connection.
Classifier Name	Name of the application classifier on the connection.
Map Name	Name of the policy engine application map.
Directed Mode	State of directed mode: true (on) or false (off).
Preposition Flow	Flow was originated by an accelerator to acquire data in anticipation of its future use: true or false.

Table 3-92 Field Descriptions for the show statistics connection conn-id Command (continued)

Field	Description
Policy Details: Configured	Name of the configured application policy.
Policy Details: Derived	Named of the derived application policy.
Policy Details: Peer	Name of the application policy on the peer side.
Policy Details: Negotiated	Name of the negotiated application acceleration policy.
Policy Details: Applied	Name of the applied application acceleration policy.
Accelerator Details: Configured	Accelerators configured.
Accelerator Details: Derived	Accelerators derived.
Accelerator Details: Applied	Accelerators applied.
Accelerator Details: Hist	Accelerators historically used.
Original and Optimized Bytes Read/Written	Number of bytes that have been rear and written on the original (incoming) side and the optimized (outgoing) side.
DRE Stats	
Encode	Statistics for compressed messages.
Overall: [msg in out ratio]	Aggregated statistics for compressed messages. msg = Total number of messages. in = Number of bytes before decompression. out = Number of bytes after decompression. ratio = Percentage of the total number of bytes that were compressed.
DRE: [msg in out ratio]	Number of DRE messages.
DRE Bypass: [msg in]	Number of DRE messages that were bypassed for compression.
LZ: [msg in out ratio]	Number of LZ messages.
Avg Latency	Average latency (transmission delay) of the DRE traffic.
Encode Th-put	Speed of DRE traffic throughput, in kilobytes per second.
Message Size Distribution	Percentage of total messages that fall within indicated size ranges.
Connection Details	
Chunks	Number of chunks encoded, decode, and anchored (forced).
Total Messages	Total number of messages processed and the number of blocks used per message.
Ack [msg size]	Number and size of acknowledgement messages.
Encode Bypass Due To	Reason for previous traffic encoding bypass.
Nack	Number and size of negative acknowledgement messages.
R-tx	Number of ready-to-transmit messages.
Aggregation Encode/Decode	Aggregated statistics for compressed messages.
TFO Stats	
Conn-Type	Type of connection (see Table 3-89).

Table 3-92 Field Descriptions for the *show statistics connection conn-id* Command (continued)

Field	Description
Policy	Policy in use on connection.
EOT State [write req ack read ack]	End of transmission state for data written and read.
Socket States	Socket states, including read-shut , write-shut , close , choke , and envoy .
DRE Hints [local remote active]	Number of DRE hints sent for the local, remote, and active connections.
Read Encode/Decode Flows	Number of encode and decode messages, and total bytes used.
Decoder Pending Queue	Size of the messages waiting in the decode queue, including maximum size, current size, average size, and the number of flow-control stop messages.
Encode/Decode	Number of calls encoded and decoded, the message latency (in ms), and the number of transmitted data/acknowledgment frames.
Writer Pending Queue	Size of the messages waiting in the write queue, including maximum size, current size, average size, and the number of flow-control stop messages.
Write	The size of the messages written, total number of messages, the average size, and the message latency (in ms).

Related Commands[clear arp-cache](#)[show statistics accelerator](#)[show statistics connection egress-methods](#)

show statistics connection egress-methods

To display detailed egress method-related information about the connection segments for a WAE, use the **show statistics connection egress-methods EXEC** command.

show statistics connection egress-methods

```
client-ip {ip_address | hostname} | client-port port | peer-id peer_id |
server-ip {ip_address | hostname} | server-port port
```

Syntax	Description
client-ip	(Optional) Displays the closed connection statistics for the client with the specified IP address or hostname.
<i>ip_address</i>	IP address of a client or server.
<i>hostname</i>	Hostname of a client or server.
client-port <i>port</i>	(Optional) Displays the closed connection statistics for the client with the specified port number (1–65535).
peer-id <i>peer_id</i>	(Optional) Displays the connection statistics for the peer with the specified identifier. Number from 0 to 4294967295 identifying a peer.
server-ip	(Optional) Displays the connection statistics for the server with the specified IP address or hostname.
server-port <i>port</i>	(Optional) Displays the connection statistics for the server with the specified port number (1–65535).

Defaults No default behavior or values.

Command Modes EXEC

Device Modes application-accelerator

Usage Guidelines Using the **show statistics connection egress-methods** command without options displays detailed information about each of the TFO connections for a WAE.

The **show statistics connection egress-methods** command displays egress method-related information about connection segments in an environment where the data flow from start-point to end-point is being transparently intercepted by multiple devices. A connection tuple represents one segment of an end-to-end connection that is intercepted by a WAAS device (WAE) for processing.

For example, a single client-server connection may have three segments (see [Figure 3-1](#)):

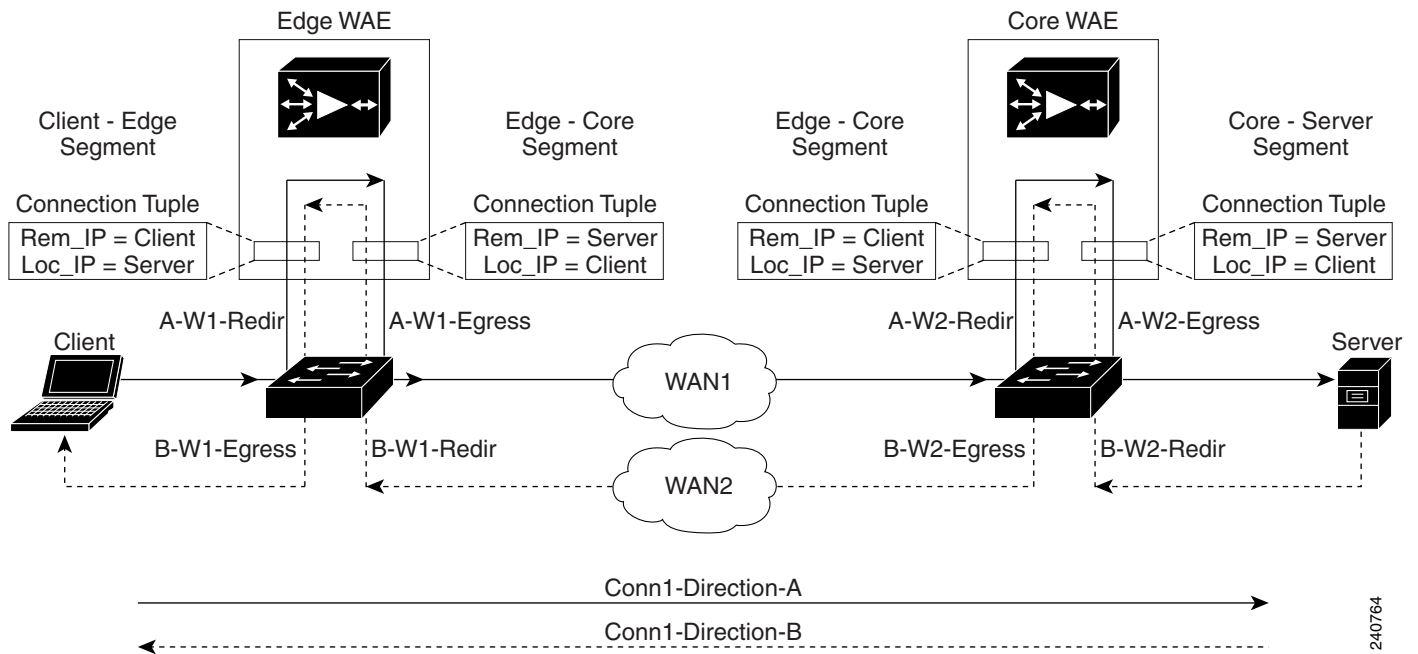
- Between the client and the Edge WAE
- Between the Edge WAE and the Core WAE
- Between the Core WAE and the server

In this example, the Edge WAE has two connection tuples for the two segments that it participates in the following:

- One connection tuple to represent the Client—Edge segment
- One connection tuple to represent the Edge—Core segment

In the **show** output, these two connection tuples appear as TUPLE and MATE. (See [Table 3-93](#).) The important information to view is the local and remote IP address of the connection tuple and not whether it is marked as TUPLE or MATE.

Figure 3-1 Topology with Three Segments and Corresponding Connection Tuples



Because the WAAS device is transparent to both the client-end of the connection and the server-end of the connection, the local IP address for a connection tuple depends on the segment in the end-to-end topology.

For example, when WAAS intercepts a packet from the client, this packet enters the connection tuple that represents the Client—Edge segment. On this tuple, the WAAS device appears to the client as though it were the server: the local IP address in this connection tuple is the IP address of the server, while the remote IP address in this connection tuple is that of the client. Similarly, when the Edge WAE sends data to the client, the packet egresses from this connection tuple as though it were coming from the server.

When WAAS sends a packet to the server, the packet egresses from the connection tuple that represents the Edge—Core segment. On this tuple, the WAAS device appears to the server as though it were the client: the local IP address in the connection tuple is the IP address of the client, while the remote IP address in this connection tuple is that of the server. Similarly, when the Edge WAE intercepts a packet from the Core WAE, the data in this connection tuple appears to be coming from the server.

Examples

[Table 3-93](#) describes the fields shown in the **show tfo egress-methods connection** command display.

Table 3-93 Field Descriptions for the show tfo egress-methods connection Command

Field	Description
TUPLE	
Client-IP:Port	IP address and port number of the client device in the connection tuple.
Server-IP:Port	IP address and port number of the server device in the connection tuple.
MATE	
Client-IP:Port	IP address and port number of the client device in the mate connection tuple.
Server-IP:Port	IP address and port number of the server device in the mate connection tuple.
Egress method	Egress method being used.
WCCP Service Bucket	WCCP service number and bucket number for the connection tuple and mate connection tuple.
Tuple Flags	Flags for intercept method and intercept mechanism. This field may contain the following values: WCCP or NON-WCCP as the intercept method; L2 or GRE as the intercept mechanism; or PROT showing whether this tuple is receiving packets through the flow protection mechanism.
Intercepting device (ID)	
ID IP address	IP address of the intercepting device.
ID MAC address	MAC address of the intercepting device.
ID IP address updates	Number of IP address changes for the intercepting device.
ID MAC address updates	Number of MAC address changes for the intercepting device.
Memory address	Memory address.

Each time a packet enters the connection tuple, the intercepting device IP address or MAC address is recorded. The updates field in the command output indicates whether the intercepting device IP address or intercepting device MAC address has been recorded. If, for example, the ID MAC address updates field is zero (0), the MAC address was not recorded, and the ID MAC address field will be blank. The recorded intercepting device information is used when a packet egresses from the WAE.

If the egress method for the connection tuple is IP forwarding, the updates fields are always zero (0) because the intercepting device information is neither required nor recorded for the IP forwarding egress method.

If the intercept method is WCCP GRE redirect and the egress method is WCCP GRE, only the IP address field is updated and recorded. The MAC address information is neither required nor recorded because the destination address in the GRE header only accepts an IP address.

If the intercept method is WCCP L2 redirect and the egress method is WCCP GRE, both the MAC address and the IP address fields are updated and recorded because incoming WCCP L2 packets contain only a MAC header. The MAC address is recorded and the intercepting device IP address is derived from

a reverse ARP lookup and is then recorded, also. When packets egress the connection tuple in this scenario, they will have a GRE header with the destination IP address of the intercepting device that was recorded.

The updates count may be greater than 1 in certain topologies. For example, in a redundant router topology, where for the same direction of the same connection between two hosts, packets may be coming in from different intercepting routers. Each time a packet comes in, the intercepting device MAC or IP address is compared against the last recorded address. If the MAC or IP address has changed, the updates field is incremented and the new MAC or IP address is recorded.

Related Commands [show egress-methods](#)
 [show statistics tfo](#)

show statistics connection optimized

To display optimized connection statistics for a WAAS device, use the **show statistics connection optimized** EXEC command.

show statistics connection optimized

```

client-ip { ip_address | hostname } | client-port port | peer-id peer_id | server-ip { ip_address |
hostname } | server-port port |
{ cifs | http | mapi | nfs | ssl | video { detail | windows-media { incoming | outgoing } | dre { all
| savings | { cifs | http | mapi | nfs | ssl | video } } }

```

Syntax	Description
optimized	(Optional) Displays active connection statistics for optimized connections.
client-ip	(Optional) Displays the closed connection statistics for the client with the specified IP address or hostname.
<i>ip_address</i>	IP address of a client or server.
<i>hostname</i>	Hostname of a client or server.
client-port <i>port</i>	(Optional) Displays the closed connection statistics for the client with the specified port number (1–65535).
peer-id <i>peer_id</i>	(Optional) Displays the connection statistics for the peer with the specified identifier. Number from 0 to 4294967295 identifying a peer.
server-ip	(Optional) Displays the connection statistics for the server with the specified IP address or hostname.
server-port <i>port</i>	(Optional) Displays the connection statistics for the server with the specified port number (1–65535).
cifs	(Optional) Displays closed connection statistics for connections optimized by the CIFS application accelerator.
http	(Optional) Displays closed connection statistics for connections optimized by the HTTP application accelerator.
mapi	(Optional) Displays closed connection statistics for connections optimized by the MAPI application accelerator.
nfs	(Optional) Displays closed connection statistics for connections optimized by the NFS application accelerator.
ssl	(Optional) Displays active connection statistics for connections optimized by the SSL application accelerator.
video	(Optional) Displays closed connection statistics for connections optimized by the video application accelerator.
detail	(Optional) Displays detailed closed connection statistics for connections optimized by the video application accelerator for Windows Media streams.
windows-media	(Optional) Displays active connection statistics for connections optimized by the video application accelerator for Windows Media streams.
incoming	(Optional) Displays active incoming connection statistics for connections optimized by the video application accelerator for Windows Media streams.
outgoing	(Optional) Displays active outgoing connection statistics for connections optimized by the video application accelerator for Windows Media streams.
dre	(Optional) Displays closed connection statistics for connections optimized by the DRE feature.

all	(Optional) Displays all the connection statistics for connections of the filtered type.
savings	(Optional) Displays the savings connection statistics for connections of the filtered type.

Defaults

No default behavior or values.

Command Modes

EXEC

Device Modes

application-accelerator

Usage Guidelines

The **show statistics connection optimized** command displays the statistics for optimized TCP connections. This information is updated in real time.

Using the **show statistics connection optimized** command with no options displays a summary of all the optimized TCP connections on the WAE. To obtain detailed statistics for a connection, use the command options to filter the connection. While most filters show detail statistics, some filters (such as peer-id) show summary information and not details.

Examples

[Table 3-94](#) describes the fields shown in the **show statistics connection optimized** command display.

Table 3-94 *Field Descriptions for the show statistics connection optimized Command*

Field	Description
Current Active Optimized Flows	Number of current active optimized TCP connections of all types.
Current Active Optimized TCP Plus Flows	Number of current active connections using DRE/LZ optimization or handled by an accelerator.
Current Active Optimized TCP Only Flows	Number of current active connections using TFO optimization only.
Current Active Optimized TCP Preposition Flows	Number of current active connections that were originated by an accelerator to acquire data in anticipation of its future use.
Current Active Auto-Discovery Flows	Number of current active connections in the auto-discovery state.
Current Active Pass-Through Flows	Number of current active pass-through connections.
Historical Flows	Number of closed TCP connections for which statistical data exists.
ConnID	Identification number assigned to the connection.
Source IP:Port	IP address and port of the incoming source connection.
Dest IP:Port	IP address and port of the outgoing destination connection.

Table 3-94 *Field Descriptions for the show statistics connection optimized Command*

Field	Description
PeerID	The MAC address of the peer device.
Accel	Types of acceleration in use on the connection. D = DRE, L = LZ, T = TCP optimization, C = CIFS, E = EPM, G = generic, H = HTTP, M = MAPI, N = NFS, S = SSL, V = video

Related Commands[clear arp-cache](#)[show statistics accelerator](#)[show statistics connection egress-methods](#)

show statistics connection pass-through

To display pass through connection statistics for a WAAS device, use the **show statistics connection pass-through** EXEC command.

show statistics connection pass-through

```
client-ip {ip_address | hostname} | client-port port | peer-id peer_id |
server-ip {ip_address | hostname} | server-port port
```

Syntax Description		
pass-through	(Optional)	Displays active connection statistics for pass-through connections.
client-ip	(Optional)	Displays the closed connection statistics for the client with the specified IP address or hostname.
<i>ip_address</i>		IP address of a client or server.
<i>hostname</i>		Hostname of a client or server.
client-port port	(Optional)	Displays the closed connection statistics for the client with the specified port number (1–65535).
peer-id peer_id	(Optional)	Displays the connection statistics for the peer with the specified identifier. Number from 0 to 4294967295 identifying a peer.
server-ip	(Optional)	Displays the connection statistics for the server with the specified IP address or hostname.
server-port port	(Optional)	Displays the connection statistics for the server with the specified port number (1–65535).

Defaults No default behavior or values.

Command Modes EXEC

Device Modes application-accelerator

Usage Guidelines The **show statistics connection pass-through** command displays the statistics for passed through TCP connections. This information is updated in real time.

Using the **show statistics connection pass-through** command with no options displays a summary of all the passed through TCP connections on the WAE. To obtain detailed statistics for a connection, use the command options to filter the connection. While most filters show detail statistics, some filters (such as peer-id) show summary information and not details.

Examples [Table 3-95](#) describes the fields shown in the **show statistics connection pass-through** command display.

Table 3-95 Field Descriptions for the show statistics connection pass-through Command

Field	Description
Current Active Optimized Flows	Number of current active optimized TCP connections of all types.
Current Active Optimized TCP Plus Flows	Number of current active connections using DRE/LZ optimization or handled by an accelerator.
Current Active Optimized TCP Only Flows	Number of current active connections using TFO optimization only.
Current Active Optimized TCP Preposition Flows	Number of current active connections that were originated by an accelerator to acquire data in anticipation of its future use.
Current Active Auto-Discovery Flows	Number of current active connections in the auto-discovery state.
Current Active Pass-Through Flows	Number of current active pass-through connections.
Historical Flows	Number of closed TCP connections for which statistical data exists.
Local IP:Port	IP address and port of the incoming local connection.
Remote IP:Port	IP address and port of the outgoing remote connection.
PeerID	The MAC address of the peer device.
ConnType	Status of the connection (see Table 3-89).

Related Commands[clear arp-cache](#)[show statistics accelerator](#)[show statistics connection egress-methods](#)

show statistics crypto ssl ciphers

To display crypto SSL cipher usage statistics, use the **show statistics crypto ssl ciphers EXEC** command.

show statistics crypto ssl ciphers

Syntax Description This command has no arguments or keywords.

Defaults No default behavior or values.

Command Modes EXEC

Device Modes application-accelerator

Usage Guidelines The **show statistics crypto ssl ciphers** command displays the number of times each cipher was used on each segment of optimized flows.

Examples [Table 3-96](#) describes the fields shown in the **show statistics crypto ssl ciphers** command display.

Table 3-96 Field Descriptions for the show statistics crypto ssl ciphers Command

Field	Description
LAN	Segment between WAAS devices and client or server.
WAN	Segment between WAAS devices for data traffic.
Peering	Segment between WAAS devices for control traffic.

Related Commands [show crypto](#)

show statistics datamover

To display statistics about the internal datamover component, use the **show statistics datamover** EXEC command.

show statistics datamover

Syntax Description This command has no arguments or keywords.

Defaults No default behavior or values.

Command Modes EXEC

Device Modes application-accelerator

Usage Guidelines The **show statistics datamover** command displays the statistics for the internal datamover component.

Examples [Table 3-100](#) describes the fields shown in the **show statistics datamover** command display.

Table 3-97 Field Descriptions for the show statistics datamover Command

Field	Description
Global Datamover Statistics	
Datamover users	Number of datamover clients (and Area blocks in the output).
Datamover container maps	Number of container_map structures allocated.
Datamover containers	Number of container structures allocated.
Datamover pages	Number of system pages used by datamover.
Datamover kmalloc areas	Number of kmalloc areas used by datamover.
Calls to cs_compact	Number of calls to cs_compact.
Container map allocation failures	Number of container_map structure allocation failures.
Container allocation failures	Number of container structure allocation failures.
Zone allocation failures	Number of zone allocation failures.
Kmem allocation failures	Number of kernel memory allocation failures.
Page allocation failures	Number of page allocation failures.
Area <i>n</i>	Name of application area. There is one Area block in the output for every datamover client.
Max Area size in pages	Total datamover size limit in pages.
Number of identifiers	Number of distinct datamover objects.

Table 3-97 *Field Descriptions for the show statistics datamover Command (continued)*

Field	Description
32 . . . 2048 byte areas used	Number of storage areas of each size.
Zone pages used	Number of pages used for the 32-2048 byte storage areas.
Non-zone pages used	Number of pages used for page mapping.
Cloned identifiers	Number of cloned identifiers.
Number of lookup stalls	Number of lookup stalls.
Calls to cs_compact	Number of calls to cs_compact.
Calls to cs_dup	Number of calls to cs_dup.
Calls to cs_send_bycopy	Number of calls to cs_send_bycopy.
Calls to cs_send_envoy	Number of calls to cs_send_envoy.
Calls to cs_recv_bycopy	Number of calls to cs_recv_bycopy.
Calls to cs_recv_envoy	Number of calls to cs_recv_envoy.
Identifier allocation failures	Number of identifier allocation failures.
Address allocation failures	Number of address allocation failures.
Total pages used	Number of pages used and percentage of the maximum area size used.

show statistics directed-mode

To directed mode statistics for a device, use the **show statistics directed-mode** EXEC command.

show statistics directed-mode

Syntax Description This command has no arguments or keywords.

Defaults No default behavior or values.

Command Modes EXEC

Device Modes application-accelerator

Examples [Table 3-98](#) describes the fields shown in the **show statistics directed-mode** command display.

Table 3-98 *Field Descriptions for the show statistics directed-mode Command*

Field	Description
Cumulative number of connections	Cumulative number of directed mode connections.
Total outgoing packets encapsulated	Number of outgoing packets encapsulated.
Total incoming packets de-capsulated	Number of incoming packets decapsulated.
Total RST+OPT packets received and dropped	Number of RST packets with option 33 set that are received and dropped.
Outgoing packet encapsulation failed	Number of outgoing packet encapsulation failures.
Invalid incoming packets received	Number of invalid incoming packets.
Invalid packet length received	Number of incoming packets with an invalid length.
Incoming packet pullups needed	Number of incoming packets that were fragmented and needed copying from data fragments.
Incoming packets with inner fragments	Number of incoming packets with inner fragments.

Related Commands

- [clear arp-cache](#)
- [show directed-mode](#)
- [show statistics auto-discovery](#)
- [show statistics connection closed](#)
- [\(config\) directed-mode](#)

show statistics dre

To display Data Redundancy Elimination (DRE) general statistics for a WAE, use the **show statistics dre EXEC** command,

show statistics dre [detail]

Syntax Description	detail (Optional) Specifies to show detail.
Defaults	No default behavior or values.
Command Modes	EXEC
Device Modes	application-accelerator

Examples [Table 3-99](#) describes the fields shown in the **show statistics dre** command display. This command shows the aggregated statistics for all connections.

Table 3-99 Field Descriptions for the show statistics dre Command

Field	Description
Cache	Aggregated DRE cache data statistics.
Status	Current DRE status. Status values include: Initializing, Usable, and Fail.
Oldest Data (age)	Time that the DRE data has been in the cache in days (d), hours (h), minutes (m), and seconds (s). For example, "1d1h" means 1 day, 1 hour.
Total usable disk size	Total disk space allocated to the DRE cache.
Used (%)	Percentage of the total DRE cache disk space being used.
Hash table RAM size	Amount of memory allocated for the DRE hash table.
Used (%)	Percentage of allocated memory being used for the DRE hash table.
Connections	
Total (cumulative)	Total cumulative connections.
Ack Queue	
Ack Queue	
Used Disk	
Wait Queue	
Total disk write	

Table 3-99 Field Descriptions for the show statistics dre Command

Field	Description
Optimized size	
Object buffer size	
Number	
Lowmem Errors	
Open	
Decode	
Malloc	
PLZ-off	
MinRes	
Chunk aggregation node memory consumption	
Open	
Persistent LZ	
Disk activity ratio	
max used RAM size	
Score	
Encode	
Overall: msg, in, out, ratio	All messages coming to DRE components. Number of messages, input bytes, output bytes, compression ratio (in less out, divided by in).
DRE: msg, in, out, ratio	All messages handled by DRE compression. Number of DRE compressed messages, input bytes, output bytes, compression ratio (in less out, divided by in).
DRE Bypass: msg, in	Number of messages bypassed by DRE. Number of messages, number of bytes.
LZ: msg, in, out, ratio	All messages handled by LZ. Number of messages, input bytes, output bytes, compression ratio (in less out, divided by in).
LZ: bypass: msg, in	Number of messages bypassed by LZ. Number of messages, number of bytes.
Avg latency: ms, Delayed msg	Average latency introduced to compress a message.
Encode th-put	Average message size.
Message size distribution	Message sizes divided into six size groups. Number of message fails into each group and distribution.
Decode	
Overall: msg, in, out, ratio	All messages coming to DRE components. Number of messages, input bytes, output bytes, compression ratio (in less out, divided by in).

Table 3-99 Field Descriptions for the *show statistics dre* Command

Field	Description
DRE: msg, in, out, ratio	All messages handled by DRE compression. Number of DRE compressed messages, input bytes, output bytes, compression ratio (in less out, divided by in).
LZ: msg, in, out, ratio	Number of messages bypassed by DRE. Number of messages, number of bytes.
LZ: bypass: msg, in	All messages handled by LZ. Number of messages, input bytes, output bytes, compression ratio (in less out, divided by in).
Avg latency: ms, Delayed msg	Average latency introduced to compress a message.
Decode th-put:	Average message size.
Message size distribution	Message sizes divided into six size groups. Number of message fails into each group and distribution.

Related Commands [show statistics peer](#)

show statistics filtering

To display statistics about the incoming and outgoing TFO flows that the WAE currently has, use the **show statistics filtering** EXEC command.

show statistics filtering

Syntax Description This command has no arguments or keywords.

Defaults No default behavior or values.

Command Modes EXEC

Device Modes application-accelerator

Usage Guidelines The **show statistics filtering** command displays statistics about the TCP flows that the WAE is handling.

Examples [Table 3-100](#) describes the fields shown in the **show statistics filtering** command display.

Table 3-100 Field Descriptions for the show statistics filtering Command

Field	Description
Number of filtering tuples	Number of filtering tuple structures.
Number of filtering tuple collisions	Number of times creation of duplicate filtering tuples was detected and avoided.
Packets dropped due to filtering tuple collisions	Number of packet drops resulting from duplicate filtering tuple detection. Not all duplicate tuple detection results in packet drops.
Number of transparent packets locally delivered	Number of incoming packets delivered to an application on the WAE that is optimizing the connection transparently.
Number of transparent packets dropped	Number of incoming transparent packets dropped.
Packets dropped due to ttl expiry	Number of incoming packets dropped because their TTL had reached 0.
Packets dropped due to bad route	Number of outgoing packets dropped because route lookup failed.
Syn packets dropped with our own id in the options	Syn packets output by the auto-discovery module that looped back to the WAE and were dropped.
Internal client syn packets dropped	Number of syn packets generated by a process on the WAE that were dropped.

Table 3-100 Field Descriptions for the *show statistics filtering* Command

Field	Description
Syn packets received and dropped on estab. conn	Number of syn packets received for a connection that was in established state. In established state, the syn packet is invalid and is dropped.
Syn-Ack packets received and dropped on estab. conn	Number of syn-ack packets received on a connection that was in established state. In established state, the syn-ack packet is invalid and is dropped.
Syn packets dropped due to peer connection alive	Number of syn packets received on a partially terminated connection. In this state, the syn is invalid and is dropped.
Syn-Ack packets dropped due to peer connection alive	Number of syn-ack packets received on a partially terminated connection. In this state, the syn-ack is invalid and is dropped.
Packets recvd on in progress conn. and not handled	Number of first packets on an in-progress connection that were dropped. If the first packet seen by the WAE for a connection is not a syn, it is called an in-progress connection.
Packets dropped due to peer connection alive	Number of packets received and dropped on a partially terminated connection.
Packets dropped due to invalid TCP flags	Number of TCP packets dropped because they had an invalid combination of the syn/find/ack/rst flags set.
Packets dropped by FB packet input notifier	Number of input packets dropped.
Packets dropped by FB packet output notifier	Number of output packets dropped.
Number of errors by FB tuple create notifier	Number of packets dropped because some action that was to be taken when a connection tuple is created failed.
Number of errors by FB tuple delete notifier	Number of packets dropped because some action that was to be taken when a connection tuple is destroyed failed.
Dropped WCCP GRE packets due to invalid WCCP service	Number of incoming packets received by WCCP GRE intercept that were dropped because of invalid WCCP service information.
Dropped WCCP L2 packets due to invalid WCCP service	Number of incoming packets received by WCCP L2 intercept that were dropped because of invalid WCCP service information.
Number of deleted tuple refresh events	Number of times invalid tuples were submitted for garbage collection.
Number of times valid tuples found on refresh list	Number of times valid tuples were reclaimed from the garbage collector.
SYN packets sent with non-opt option due to MAPI	Number of syn packets sent with the non-optimizing option due to the MAPI accelerator.

Table 3-100 *Field Descriptions for the show statistics filtering Command*

Field	Description
Internal Server conn. not optimized due to Serial Peer	Number of server connections not optimized because this device is in a serial cluster and is passing through the connections to its serial peer.
Duplicate packets to synq dropped	Number of dropped syn packets that were retransmitted and received for a connection while it was being processed in synq (without impacting the connection).

Related Commands[show filtering list](#)[show statistics auto-discovery](#)[show statistics connection closed](#)

show statistics flow

To display flow statistics for a WAAS device, use the **show statistics flow** EXEC command.

```
show statistics flow {filters | monitor tcpstat-v1}
```

Syntax Description	filters	Displays flow filter statistics.
	monitor	Displays flow performance statistics.
	tcpstat-v1	Displays tcpstat-v1 collector statistics.

Defaults No default behavior or values.

Command Modes EXEC

Device Modes application-accelerator

Examples [Table 3-101](#) describes the fields shown in the **show statistics flow filters** command display.

Table 3-101 *Field Descriptions for the show statistics flow filters Command*

Field	Description
Number of Filters	Number of filters.
Status	Status of whether the filters are enabled or disabled.
Capture Mode	Operation of the filter. Values include FILTER or PROMISCUOUS. The promiscuous operation is not available in WAAS.
Server	IP address list of the servers for which flows are being monitored.
Flow Hits	Number of flow hits for each server.
Flags	Flags identifying the flows. CSN: Client-Side Non-Optimized (Edge) SSO: Server-Side Optimized (Edge) CSO: Client-Side Optimized (Core) SSN: Server-Side Non-Optimized (Core) PT: Pass Through (Edge/Core/Intermediate) IC: Internal Client

Table 3-102 describes the fields shown in the **show statistics flow monitor** command display.

Table 3-102 Field Descriptions for the **show statistics flow monitor** Command

Field	Description
Host Connection	
Configured host address	IP address of the tcpstat-v1 console for the connection.
Connection State	State of the connection.
Connection Attempts	Number of connection attempts.
Connection Failures	Number of connection failures.
Last connection failure	Date and time of the last connection failure.
Last configuration check sent	Date and time that the last configuration check was sent.
Last registration occurred	Date and time that the last registration occurred.
Host Version	Version number of the tcpstat-v1 console for the connection.
Collector Connection	
Collector host address:port	IP address and port number of the tcpstat-v1 aggregator identified through the host connection.
Connection State	State of the connection.
Connection Attempts	Number of connection attempts.
Connection Failures	Number of connection failures.
Last connection failure	Date and time of the last connection failure.
Last configuration check sent	Date and time that the last configuration check was sent.
Last update sent	Date and time that the last update was sent.
Updates sent	Number of updates sent.
Summaries discarded	Number of summaries that were discarded because disk space allocated for storage has reached its limit. The numbers in this field indicate when summaries are being collected faster than they are able to be transferred to the collector. Counters in this field generate a data_update alarm.
Last registration occurred	Date and time that the last registration occurred.
Host Version	Version number of the tcpstat-v1 aggregator for the connection.
Collection Statistics	
Collection State	State of the summary collection operation.
Summaries collected	Number of summaries collected. Summaries are packet digests of the traffic that is being monitored.
Summaries dropped	Total number of summaries dropped. This is the sum of the following subcategories.
Dropped by TFO	Number of packets that were dropped by TFO because of an error, such as not being able to allocate memory.

Table 3-102 *Field Descriptions for the show statistics flow monitor Command (continued)*

Field	Description
Dropped due to backlog	Number of packets that were dropped because the queue limit has been reached. This counter indicates whether the flow monitor application can keep up with the number of summaries being received.
Summary backlog	Number of packets that are waiting in the queue to be read by the collector module on the WAE.
Last drop occurred	Date and time that the last packet drop occurred.

Related Commands [clear arp-cache](#)

show statistics generic-gre

To view the GRE tunnel statistics for each intercepting router, use the **show statistics generic-gre** EXEC command.

show statistics generic-gre

Syntax Description This command has no arguments or keywords.

Defaults No default behavior or values.

Command Modes EXEC

Device Modes application-accelerator

Usage Guidelines Use the **clear statistics generic-gre** EXEC command to clear the generic GRE statistics.

Examples [Table 3-103](#) describes the fields shown in the **show statistics generic-gre** command display.

Table 3-103 Field Descriptions for the show statistics generic-gre Command

Field	Description
Tunnel Destination	IP address of the GRE tunnel destination.
Tunnel Peer Status	Tunnel peer status. When the egress method is not generic GRE, N/A is shown.
Tunnel Reference Count	Number of connections using the tunnel.
Packets dropped due to failed encapsulation	Number of generic GRE packets dropped due to failed encapsulation.
Packets dropped due to no route found	Number of generic GRE packets dropped due to no route found.
Packets sent	Number of generic GRE packets sent.
Packets sent to tunnel interface that is down	Number of generic GRE packets sent to a tunnel interface that is down.
Packets fragmented	Number of outgoing generic GRE packets fragmented.

Related Commands

- [clear arp-cache](#)
- [show egress-methods](#)
- [\(config\) egress-method](#)

show statistics icmp

To display ICMP statistics for a WAAS device, use the **show statistics icmp** EXEC command.

show statistics icmp

Syntax Description This command has no arguments or keywords.

Defaults No default behavior or values.

Command Modes EXEC

Device Modes application-accelerator
central-manager

Examples [Table 3-104](#) describes the fields shown in the **show statistics icmp** command display.

Table 3-104 Field Descriptions for the show statistics icmp Command

Field	Description
ICMP messages received	Total number of Internet Control Message Protocol (ICMP) messages which the entity received, including all those counted as ICMP input errors.
ICMP messages receive failed	Number of ICMP messages which the entity received but determined as having ICMP-specific errors, such as bad ICMP checksums, bad length, and so forth.
Destination unreachable	Number of ICMP messages of this type received.
Timeout in transit	Number of ICMP messages of this type received.
Wrong parameters	Number of ICMP messages of this type received.
Source quenches	Number of ICMP messages of this type received.
Redirects	Number of ICMP messages of this type received.
Echo requests	Number of ICMP messages of this type received.
Echo replies	Number of ICMP messages of this type received.
Timestamp requests	Number of ICMP messages of this type received.
Timestamp replies	Number of ICMP messages of this type received.
Address mask requests	Number of ICMP messages of this type received.
Address mask replies	Number of ICMP messages of this type received.

Table 3-104 Field Descriptions for the show statistics icmp Command (continued)

Field	Description
ICMP messages sent	Total total number of ICMP messages which this entity attempted to send. This counter includes all those counted as ICMP output errors.
ICMP messages send failed	Number of number of ICMP messages which this entity did not send because of problems discovered within ICMP, such as a lack of buffers.
Destination unreachable	Number of ICMP messages of this type sent out.
Time exceeded	Number of ICMP messages of this type sent out.
Wrong parameters	Number of ICMP messages of this type sent out.
Source quenches	Number of ICMP messages of this type sent out.
Redirects	Number of ICMP messages of this type sent out.
Echo requests	Number of ICMP messages of this type sent out.
Echo replies	Number of ICMP messages of this type sent out.
Timestamp requests	Number of ICMP messages of this type sent out.
Timestamp replies	Number of ICMP messages of this type sent out.
Address mask requests	Number of ICMP messages of this type sent out.
Address mask replies	Number of ICMP messages of this type sent out.

Related Commands [clear arp-cache](#)

show statistics ip

To display IP statistics for a WAAS device, use the **show statistics ip** EXEC command.

show statistics ip

Syntax Description This command has no arguments or keywords.

Defaults No default behavior or values.

Command Modes EXEC

Device Modes application-accelerator
central-manager

Examples [Table 3-105](#) describes the fields shown in the **show statistics ip** command display.

Table 3-105 Field Descriptions for the show statistics ip Command

Field	Description
IP statistics	
Total packets in	Total number of input datagrams received from interfaces, including all those counted as input errors.
with invalid address	Number of input datagrams discarded because the IP address in their IP header destination field was not a valid address to be received at this entity. This count includes invalid addresses (such as 0.0.0.0) and addresses of unsupported classes (such as Class E). For entities that are not IP gateways and therefore do not forward datagrams, this counter includes datagrams discarded because the destination address was not a local address.
with invalid header	Number of input datagrams discarded because of errors in their IP headers, including bad checksums, version number mismatches other format errors, time-to-live exceeded errors, and errors discovered in processing their IP options.
forwarded	Number of input datagrams for which this entity was not their final IP destination, and as a result, an attempt was made to find a route to forward them to that final destination. In entities which do not act as IP gateways, this counter includes only those packets which were source-routed by way of this entity, and the source-route option processing was successful.

Table 3-105 Field Descriptions for the show statistics ip Command (continued)

Field	Description
unknown protocol	Number of locally-addressed datagrams received successfully but discarded because of an unknown or unsupported protocol.
discarded	Number of input IP datagrams for which no problems were encountered to prevent their continued processing, but which were discarded (such as, for lack of buffer space). This counter does not include any datagrams discarded while awaiting reassembly.
delivered	Total number of input datagrams successfully delivered to IP user protocols (including ICMP).
Total packets out	Total number of IP datagrams which local IP user protocols (including ICMP) supplied to IP in requests for transmission. This counter does not include any datagrams counted in the forwarded field.
dropped	Number of output IP datagrams for which no problem was encountered to prevent their transmission to their destination, but which were discarded (such as, for lack of buffer space). This counter includes datagrams counted in the forwarded field if any such packets meet this (discretionary) discard criterion.
dropped (no route)	Number of IP datagrams discarded because no route could be found to transmit them to their destination. This counter includes any packets counted in the forwarded field which meet this no-route criterion, including any datagrams that a host cannot route because all of its default gateways are down.
Fragments dropped after timeout	Maximum number of seconds that received fragments are held while they are awaiting reassembly at this entity.
Reassemblies required	Number of IP fragments received which needed to be reassembled at this entity.
Packets reassembled	Number of IP datagrams successfully reassembled.
Packets reassemble failed	Number of number of failures detected by the IP reassembly algorithm (for whatever reason: timed out, errors, and so forth). This count is not necessarily a count of discarded IP fragments because some algorithms (notably the algorithm in RFC 815) can lose track of the number of fragments by combining them as they are received.
Fragments received	Total number of IP datagrams that have been successfully fragmented at this entity.
Fragments failed	Number of IP datagrams that have been discarded because they needed to be fragmented at this entity but could not be fragmented because their Don't Fragment flag was set.
Fragments created	Number of IP datagram fragments that have been generated as a result of fragmentation at this entity.

Related Commands [clear arp-cache](#)
[\(config\) ip](#)

```
(config-if) ip  
show ip routes
```

show statistics netstat

To display Internet socket connection statistics for a WAAS device, use the **show statistics netstat EXEC** command.

show statistics netstat

Syntax Description This command has no arguments or keywords.

Defaults No default behavior or values.

Command Modes EXEC

Device Modes application-accelerator
central-manager

Examples [Table 3-106](#) describes the fields shown in the **show statistics netstat** command display.

Table 3-106 Field Descriptions for the show statistics netstat Command

Field	Description
Active Internet connections (w/o servers)	The following output prints the list of all open Internet connections to and from this WAE.
Proto	Layer 4 protocol used on the Internet connection, such as, TCP, UDP, and so forth.
Recv-Q	Amount of data buffered by the Layer 4 protocol stack in the receive direction on a connection.
Send-Q	Amount of data buffered by the Layer 4 precool stack in the send direction on a connection.
Local Address	IP address and Layer 4 port used at the WAE end point of a connection.
Foreign Address	IP address and Layer 4 port used at the remote end point of a connection.
State	Layer 4 state of a connection. TCP states include the following: ESTABLISHED, TIME-WAIT, LAST-ACK, CLOSED, CLOSED-WAIT, SYN-SENT, SYN-RCVD, SYN-SENT, SYN-ACK-SENT, and LISTEN.

show statistics pass-through

To display pass-through traffic statistics for a WAAS device, use the **show statistics pass-through EXEC** command.

show statistics pass-through

Syntax Description This command has no arguments or keywords.

Defaults No default behavior or values.

Command Modes EXEC

Device Modes application-accelerator

Examples [Table 3-107](#) describes the fields shown in the **show statistics pass-through** command display.

Table 3-107 Field Descriptions for the show statistics pass-through Command

Field	Description
Outbound	
PT Client: Bytes	Number of bytes passed through in the client to server direction.
PT Client: Packets	Number of packets passed through in the client to server direction.
PT Server: Bytes	Number of bytes passed through in the server to client direction.
PT Server: Packets	Number of packets passed through in the server to client direction.
PT In Progress: Bytes	Number of bytes passed through in progress.
PT In Progress: Packets	Number of packets passed through in progress.
Active/Completed	
Overall	Total number of connections passed through.
No Peer	Number of connections passed through because a remote peer WAE was not found.
Rjct Capabilities	Number of connections passed through due to capability mismatch.
Rjct Resources	Number of connections passed through due to unavailability of resources.
Rjct No License	Number of connections passed through due to no license.
App Config	Number of connections passed through due to policy configuration.
Global Config	Number of connections passed through due to optimization being disabled globally.
Asymmetric	Number of connections passed through due to asymmetric routing in the network (could be an interception problem).

Table 3-107 *Field Descriptions for the show statistics pass-through Command (continued)*

Field	Description
In Progress	Number of connections passed through due to connections seen by the WAE mid-stream.
Intermediate	Number of connections passed through because the WAE was in between two other WAEs.
Internal Error	Number of connections passed through due to miscellaneous internal errors such as memory allocation failures, and so on.
App Override	Number of connections passed through because an application accelerator requested the connection to be passed through.
Server Black List	Number of connections passed through due to the server IP being present in the black list.
AD Version Mismatch	Number of connections passed through due to auto discovery version incompatibility.
AD AO Incompatible	Number of connections passed through due application accelerator versions being incompatible.
AD AOIM Progress	Number of connections passed through due to ongoing peer negotiations.
DM Version Mismatch	Number of connections passed through because directed mode, though enabled locally, is not supported by the peer device.
Peer Override	Number of connections passed through due to an upstream serial peer handling optimization and telling this WAE not to optimize the connection.
Bad AD Options	Number of connections passed through due to invalid auto discovery options.
Non-optimizing Peer	Number of connections passed through because the only peer found is configured as a non-optimizing serial peer.
Interception ACL	Number of connections passed through due to an interception ACL denying them.

show statistics peer

To display peer Data Redundancy Elimination (DRE) statistics for a WAE, use the **show statistics peer EXEC** command.

show statistics peer

show statistics peer dre [**context** *context-value* | **peer-id** *peer-id* | **peer-ip** *ip-address* | **peer-no** *peer-no*]

show statistics peer dre detail [**context** *context-value* | **peer-id** *peer-id* | **peer-ip** *ip-address* | **peer-no** *peer-no*]

Syntax Description

context <i>context-value</i>	Displays peer statistics for the specified context (0–4294967295).
peer-id <i>peer-id</i>	(Optional) Specifies the MAC address of the peer (0–4294967295).
peer-ip <i>ip_address</i>	(Optional) Specifies the IP address of the peer.
peer-no <i>peer-no</i>	(Optional) Specifies the peer number.

Defaults

No default behavior or values.

Command Modes

EXEC

Device Modes

application-accelerator

Examples

[Table 3-108](#) describes the fields shown in the **show statistics peer dre** command display. This command shows the peer DRE device connection information.

Table 3-108 Field Descriptions for the show statistics peer dre Command

Field	Description
Peer-No	Number assigned to the peer compression device.
Context	Context ID for the DRE debugging trace.
Peer-ID	MAC address of the peer device.
Hostname	Hostname of the peer device.
Cache	DRE cache data statistics as shown by the peer.
Used disk:	Number of megabytes (MB) used on the disk for the DRE cache.
Age:	Time that the DRE data has been in the cache in days (d), hours (h), minutes (m), and seconds (s).
Connections:	
Total (cumulative):	Number of cumulative connections that have been processed.

Table 3-108 Field Descriptions for the *show statistics peer dre* Command (continued)

Field	Description
Active:	Number of connections that are still open.
Concurrent connections (Last 2 min):	
max	Maximum number of concurrent connections in the last two minutes.
avg	Average number of concurrent connections in the last two minutes.
Encode	
Overall: [msg in out ratio]	Aggregated statistics for compressed messages. msg = Total number of messages. in = Number of bytes before decompression. out = Number of bytes after decompression. ratio = Percentage of the total number of bytes that were compressed.
DRE: [msg in out ratio]	Number of DRE messages.
DRE Bypass: [msg in]	Number of DRE messages that were bypassed for compression.
LZ: [msg in out ratio]	Number of LZ messages.
LZ Bypass: [msg in]	Number of LZ messages that were bypassed for compression.
Message size distribution	Percentage of messages that fall into each size grouping. (The message size field is divided into 6 size groups.)
Decode	
Overall: [msg in out ratio]	Aggregated statistics for decompressed messages. msg = Total number of messages. in = Number of bytes before decompression. out = Number of bytes after decompression. ratio = Percentage of the total number of bytes that were decompressed.
DRE: [msg in out ratio]	Number of DRE messages.
DRE Bypass: [msg in]	Number of DRE messages that were bypassed for decompression.
LZ: [msg in out ratio]	Number of LZ messages.
LZ Bypass: [msg in]	Number of LZ messages that were bypassed for decompression.
Latency (Last 3 sec): [max avg]	Maximum time to decompress one message for both DRE and LZ in milliseconds (ms). Average time to decompress one message for both DRE and LZ in milliseconds (ms).
Message size distribution	Percentage of messages that fall into each size grouping. (The message size field is divided into 6 size groups.)

Related Commands [show statistics connection closed](#)

show statistics radius

To display RADIUS authentication statistics for a WAAS device, use the **show statistics radius EXEC** command.

show statistics radius

Syntax Description This command has no arguments or keywords.

Defaults No default behavior or values.

Command Modes EXEC

Device Modes application-accelerator
central-manager

Examples [Table 3-109](#) describes the fields shown in the **show statistics radius** command display.

Table 3-109 Field Descriptions for the show statistics radius Command

Field	Description
RADIUS Statistics	
Authentication	
Number of access requests	Number of access requests.
Number of access deny responses	Number of access deny responses.
Number of access allow responses	Number of access allow responses.
Authorization	
Number of authorization requests	Number of authorization requests.
Number of authorization failure responses	Number of authorization failure responses.
Number of authorization success responses	Number of authorization success responses.
Accounting	
Number of accounting requests	Number of accounting requests.

Table 3-109 *Field Descriptions for the show statistics radius Command (continued)*

Field	Description
Number of accounting failure responses	Number of accounting failure responses.
Number of accounting success responses	Number of accounting success responses.

Related Commands

[clear arp-cache](#)
[\(config\) radius-server](#)
[show radius-server](#)

show statistics services

To display services statistics for a WAAS device, use the **show statistics services** EXEC command.

show statistics services

Syntax Description This command has no arguments or keywords.

Defaults No default behavior or values.

Command Modes EXEC

Device Modes application-accelerator
central-manager

Examples [Table 3-110](#) describes the fields shown in the **show statistics services** command display.

Table 3-110 *Field Descriptions for the show statistics services Command*

Field	Description
Port Statistics	Service-related statistics for each port on the WAAS device.
Port	Port number.
Total Connections	Number of total connections.

Related Commands [show services](#)

show statistics snmp

To display SNMP statistics for a WAAS device, use the **show statistics snmp** EXEC command.

show statistics snmp

Syntax Description This command has no arguments or keywords.

Defaults No default behavior or values.

Command Modes EXEC

Device Modes application-accelerator
central-manager

Examples [Table 3-111](#) describes the fields shown in the **show statistics snmp** command display.

Table 3-111 Field Descriptions for the show statistics snmp Command

Field	Description
SNMP packets input	Total number of SNMP packets input.
Bad SNMP version errors	Number of packets with an invalid SNMP version.
Unknown community name	Number of SNMP packets with an unknown community name.
Illegal operation for community name supplied	Number of packets requesting an operation not allowed for that community.
Encoding errors	Number of SNMP packets that were improperly encoded.
Number of requested variables	Number of variables requested by SNMP managers.
Number of altered variables	Number of variables altered by SNMP managers.
Get-request PDUs	Number of GET requests received.
Get-next PDUs	Number of GET-NEXT requests received.
Set-request PDUs	Number of SET requests received.
SNMP packets output	Total number of SNMP packets sent by the router.
Too big errors	Number of SNMP packets that were larger than the maximum packet size.
Maximum packet size	Maximum size of SNMP packets.
No such name errors	Number of SNMP requests that specified a MIB object that does not exist.

Table 3-111 *Field Descriptions for the show statistics snmp Command (continued)*

Field	Description
Bad values errors	Number of SNMP SET requests that specified an invalid value for a MIB object.
General errors	Number of SNMP SET requests that failed because of some other error. (It was not a No such name error, Bad values error, or any of the other specific errors.)
Response PDUs	Number of responses sent in reply to requests.
Trap PDUs	Number of SNMP traps sent.

Related Commands[show snmp](#)[\(config\) snmp-server user](#)[\(config\) snmp-server view](#)

show statistics synq

To display the cumulative statistics for the SynQ module, use the **show statistics synq** EXEC command.

show statistics synq

Syntax Description This command has no arguments or keywords.

Defaults No default behavior or values.

Command Modes EXEC

Device Modes application-accelerator

Usage Guidelines Use the **show statistics synq** command to display statistics for the SynQ module.

Examples The following is sample output from the **show statistics synq** command:

```
WWAE# show statistics synq
Synq structures allocations success:           0
Synq structures allocations failure:          0
Synq structures deallocations:                0
Synq table entry adds:                        0
Synq table entry drops:                       0
Synq table entry lookups:                     0
Synq table overflows:                         0
Synq table entry count:                       0
Packets received by synq:                     0
Packets received with invalid filtering tuple: 0
Non-syn packets received:                     0
Locally originated/terminating syn packets received: 0
Retransmitted syn packets received while in Synq: 0
Synq user structure allocations success:       0
Synq user structure allocations failure:       0
Synq user structure deallocations:            0
```

Related Commands [show synq list](#)

show statistics tacacs

To display TACACS+ authentication and authorization statistics for a WAAS device, use the **show statistics tacacs EXEC** command.

show statistics tacacs

Syntax Description This command has no arguments or keywords.

Defaults No default behavior or values.

Command Modes EXEC

Device Modes application-accelerator
central-manager

Examples [Table 3-112](#) describes the fields shown in the **show statistics tacacs** command display.

Table 3-112 Field Descriptions for the show statistics tacacs Command

Field	Description
TACACS+ Statistics	
Authentication	
Number of access requests	Number of access requests.
Number of access deny responses	Number of access deny responses.
Number of access allow responses	Number of access allow responses.
Authorization	
Number of authorization requests	Number of authorization requests.
Number of authorization failure responses	Number of authorization failure responses.
Number of authorization success responses	Number of authorization success responses.
Accounting	
Number of accounting requests	Number of accounting requests.

Table 3-112 *Field Descriptions for the show statistics tacacs Command (continued)*

Field	Description
Number of accounting failure responses	Number of accounting failure responses.
Number of accounting success responses	Number of accounting success responses.

Related Commands

[clear arp-cache](#)
[\(config\) tacacs](#)
[show tacacs](#)

show statistics tcp

To display TCP statistics for a WAAS device, use the **show statistics tcp** EXEC command.

show statistics tcp

Syntax Description This command has no arguments or keywords.

Defaults No default behavior or values.

Command Modes EXEC

Device Modes application-accelerator
central-manager

Examples [Table 3-113](#) describes the fields shown in the **show statistics tcp** command display.

Table 3-113 Field Descriptions for the show statistics tcp Command

Field	Description
TCP statistics	
Server connection openings	Number of times that TCP connections have made a direct transition to the SYN-SENT state from the CLOSED state.
Client connection openings	Number of times that TCP connections have made a direct transition to the SYN-RCVD state from the LISTEN state.
Failed connection attempts	Number of times TCP connections have made a direct transition to the CLOSED state from either the SYN-SENT state or the SYN-RCVD state, plus the number of times TCP connections have made a direct transition to the LISTEN state from the SYN-RCVD state.
Connections established	Number of TCP connections for which the current state is either ESTABLISHED or CLOSE-WAIT.
Connections resets received	Number of times TCP connections have made a direct transition to the CLOSED state from either the ESTABLISHED state or the CLOSE-WAIT state.
Connection resets sent	Number of TCP segments sent containing the RST flag.
Segments received	Total number of segments received, including those received in error. This count includes segments received on currently established connections.

Table 3-113 Field Descriptions for the *show statistics tcp* Command (continued)

Field	Description
Segments sent	Total number of segments sent, including those on current connections but excluding those containing only retransmitted octets.
Bad segments received	Number of bad segments received.
Segments retransmitted	Total number of segments retransmitted, that is, the number of TCP segments transmitted containing one or more previously transmitted octets.
TCP memory usage (KB)	TCP memory usage.
TCP extended statistics	
Sync cookies sent	Number of SYN-ACK packets sent with SYN cookies in response to SYN packets.
Sync cookies received	Number of ACK packets received with the correct SYN cookie that was sent in the SYN-ACK packet by the device.
Sync cookies failed	Number of ACK packets received with the incorrect SYN cookie that was sent in the SYN-ACK packet by the device.
Embryonic connection resets	Number of times TCP connections have made a direct transition to the CLOSED state from either the SYN-RCVD state, the SYN-SENT state, or the SYN-ACK-SENT state.
Prune message called	Number of times that the device exceeded the memory pool allocated for the connection.
Packets pruned from receive queue	Number of packets dropped from the receive queue of the connection because of a memory overrun.
Out-of-order-queue pruned	Number of times that the out-of-order queue was pruned because of a memory overrun.
Out-of-window Icmp messages	Number of ICMP packets received on a TCP connection that were out of the received window.
Lock dropped Icmp messages	Number of ICMP packets dropped because the socket is busy.
Arp filter	Number of ICMP responses dropped because of the ARP filter.
Time-wait sockets	Number of times that the TCP connection made a transition to the CLOSED state from the TIME-WAIT state.
Time-wait sockets recycled	Number of times that the TCP connection made a transition to the CLOSED state from the TIME-WAIT state.
Time-wait sockets killed	Number of times that the TCP connection made a transition to the CLOSED state from TIME-WAIT state.
PAWS passive	Number of incoming SYN packets dropped because of a PAWS check failure.
PAWS active	Number of incoming SYN-ACK packets dropped because of a PAWS check failure.
PAWS established	Number of packets dropped in ESTABLISHED state because of a PAWS check failure.
Delayed acks sent	Number of delayed ACKs sent.

Table 3-113 Field Descriptions for the show statistics tcp Command (continued)

Field	Description
Delayed acks blocked by socket lock	Number of delayed ACKs postponed because the socket is busy.
Delayed acks lost	Number of delayed ACKs lost.
Listen queue overflows	Number of incoming TCP connections dropped because of a listening server queue overflow.
Connections dropped by listen queue	Number of incoming TCP connections dropped because of an internal error.
TCP packets queued to prequeue	Number of incoming TCP packets prequeued to a process.
TCP packets directly copied from backlog	Number of incoming TCP packets copied from the backlog queue directly to a process.
TCP packets directly copied from prequeue	Number of incoming TCP packets copied from the prequeue directly to a process.
TCP prequeue dropped packets	Number of packets removed from the TCP prequeue.
TCP header predicted packets	Number of TCP header-predicted packets.
Packets header predicted and queued to user	Number of TCP packets header-predicted and queued to the user.
TCP pure ack packets	Number of ACK packets received with no data.
TCP header predicted acks	Number of header-predicted TCP ACK packets.
TCP Reno recoveries	Number of TCP Reno recoveries.
TCP SACK recoveries	Number of TCP SACK recoveries.
TCP SACK renegeing	Number of TCP SACK renegeing.
TCP FACK reorders	Number of TCP FACK reorders.
TCP SACK reorders	Number of TCP SACK reorders.
TCP Reno reorders	Number of TCP Reno reorders.
TCP TimeStamp reorders	Number of TCP TimeStamp reorders.
TCP full undos	Number of TCP full undos.
TCP partial undos	Number of TCP partial undos.
TCP DSACK undos	Number of TCP DSACK undos.
TCP loss undos	Number of TCP loss undos.
TCP losses	Number of TCP losses.
TCP lost retransmit	Number of TCP lost retransmit.
TCP Reno failures	Number of TCP Reno failures.
TCP SACK failures	Number of TCP SACK failures.
TCP loss failures	Number of TCP loss failures.
TCP fast retransmissions	Number of TCP fast retransmissions.
TCP forward retransmissions	Number of TCP forward retransmissions.
TCP slowstart retransmissions	Number of TCP slow start retransmissions.
TCP Timeouts	Number of TCP timeouts.

Table 3-113 Field Descriptions for the *show statistics tcp* Command (continued)

Field	Description
TCP Reno recovery fail	Number of TCP Reno recovery fail.
TCP Sack recovery fail	Number of TCP Sack recovery failures.
TCP scheduler failed	Number of TCP scheduler failures.
TCP receiver collapsed	Number of TCP receiver collapsed failures.
TCP DSACK old packets sent	Number of TCP DSACK old packets sent.
TCP DSACK out-of-order packets sent	Number of TCP DSACK out-of-order packets sent.
TCP DSACK packets received	Number of TCP DSACK packets received.
TCP DSACK out-of-order packets received	Number of TCP DSACK out-of-order packets received.
TCP connections abort on sync	Number of TCP connections aborted on sync.
TCP connections abort on data	Number of TCP connections aborted on data.
TCP connections abort on close	Number of TCP connections aborted on close.
TCP connections abort on memory	Number of TCP connections aborted on memory.
TCP connections abort on timeout	Number of TCP connections aborted on timeout.
TCP connections abort on linger	Number of TCP connections aborted on linger.
TCP connections abort failed	Number of TCP connections abort failed.
TCP memory pressures	Number of times the device approaches the allocated memory pool for the TCP stack.

Related Commands

[clear arp-cache](#)
[show tcp](#)
[\(config\) tcp](#)

show statistics tfo

To display Traffic Flow Optimization (TFO) statistics for a WAE, use the **show statistics tfo** EXEC command.

```
show statistics tfo [connection | detail]
```

```
show statistics tfo peer [peer-id peer-id | peer-ip peer-ip | peer-no peer-no]
```

Syntax Description

connection	(Optional) Displays aggregated TFO connection statistics.
detail	(Optional) Displays detailed TFO statistics.
peer	(Optional) Displays DRE peer statistics.
peer-id <i>peer-id</i>	(Optional) Displays peer statistics for peer ID.
peer-ip <i>peer-ip</i>	(Optional) Displays peer statistics for peer IP.
peer-no <i>peer-no</i>	(Optional) Displays peer statistics for peer number.

Command Modes

EXEC

Device Modes

application-accelerator

Examples

[Table 3-114](#) describes the fields shown in the **show statistics tfo** command. The Policy Engine Statistics and Auto-Discovery Statistics sections are displayed only when you use the **detail** option.

Table 3-114 Field Descriptions for the **show statistics tfo** Command

Field	Description
Total number of connections	Total number of TCP connections that were optimized since the last TFO statistics reset.
No. of active connections	Total number of TCP optimized connections.
No. of pending (to be accepted) connections	Number of TCP connections that will be optimized but are currently in the setup stage.
No. of bypass connections	Number of connections using TFO only, with no DRE or LZ.
No. of normal closed connections	Number of optimized connections closed without any issues using TCP FIN.
No. of reset connections	Number of connections closed with one of the following errors.
Socket write failure	Failed to write on a socket (either on the LAN or WAN side).
Socket read failure	Failed to read from a socket (either LAN or WAN side).
WAN socket close while waiting to write	The socket between two WAEs (WAN socket) closed before completing writing into it.
AO socket close while waiting to write	The socket between the WAE and the client/server (LAN socket) closed before completing writing into it.

Table 3-114 Field Descriptions for the *show statistics tfo* Command (continued)

Field	Description
WAN socket error close while waiting to read	The socket between two WAEs (WAN socket) closed before completing reading from it.
AO socket error close while waiting to read	The socket between the WAE and the client/server (LAN socket) closed before completing reading from it.
DRE decode failure	DRE internal error while decoding data. (Should not happen.)
DRE encode failure	DRE internal error while encoding data. (Should not happen.)
Connection init failure	Failed to setup the connection although auto-discovery finished successfully.
WAN socket unexpected close while waiting to read	The socket between two WAEs (WAN socket) closed before completing reading from it.
Exceeded maximum number of supported connections	Connection closed ungracefully because the WAE reached its scalability limit.
Buffer allocation or manipulation failed	Internal memory allocation failure. (Should not happen.)
Peer received reset from end host	TCP RST sent by the server or client. (Can be normal behavior and does not necessarily indicate a problem.)
DRE connection state out of sync	DRE internal error. (Should not happen.)
Memory allocation failed for buffer heads	Internal memory allocation failure. (Should not happen.)
Unoptimized packet received on optimized side	Unoptimized packet received by the WAE when it expected an optimized packet.
Data buffer usages	Data buffer usage statistics for allocated (Used) and cloned buffers. The first column indicates the size of the data stored in the buffers; the second column indicates the size of the buffers; and the third column indicates the number of memory blocks used.
Buffer Control	Buffer control statistics for encode and decode queue buffers. The first column indicates the size of the buffers; the second column indicates the number of slow reads issued to control the queue size; and the third column indicates the number of stop reads issued to control the queue size.
AckQ Control	Shows the total and current number of connections blocked due to a full ack queue.
Scheduler	Scheduler queue sizes and number of jobs processed by each queue.
Policy Engine Statistics	
Session timeouts	The number of times the TFO component did not issue a keepalive to the Policy Engine in a timely manner. A session refers to the particular registration of the TFO component within the Policy Engine.

Table 3-114 Field Descriptions for the show statistics tfo Command (continued)

Field	Description
Total timeouts	The total number of times the TFO component did not issue a keepalive to the Policy Engine in a timely manner. This may encompass multiple registrations.
Last keepalive received	The amount of time since the last keepalive (seconds).
Last registration occurred	The amount of time since the TFO component registered with the Policy Engine (seconds). Most likely causes are: <ul style="list-style-type: none"> • WAE was rebooted • Configuration change with TFO enabled • Restart of the TFO component by the Node Manager
Hits	Number of connections that had a configured policy that specified the use of TFO.
Updated Released	Number of hits that were released during Auto-Discovery and did not make use of the TFO component.
Active Connections	Number of hits that represent either active connections using the TFO component or connections that are still in the process of performing Auto-Discovery.
Completed Connections	Number of hits that have made use of the TFO component and have completed.
Drops	Number of hits that attempted use of the TFO component but were rejected for some reason. A separate hit and drop will be tallied for each TCP SYN packet received for a connection. This includes the original SYN and any retries.
Rejected Connection Counts Due To: (Total:)	<ul style="list-style-type: none"> • The number of all of the reject reasons that represent hits that were not able to use TFO. Reject reasons include the following: <ul style="list-style-type: none"> • Not registered • Keepalive timeout • No license • Load level not within range • Connection limit exceeded • Rate limit exceeded (a new connection exceeded the number of connections allowed within the time window) • Minimum TFO not available • Resource manager (minimum resources not available) • Global config optimization disabled • TFO limit exceeded (systemwide connection limit reached) • Server-side invoked • DM deny (Policy Engine dynamic match deny rule matched) • No DM accept was matched

Table 3-114 Field Descriptions for the *show statistics tfo* Command (continued)

Field	Description
Auto-Discovery Statistics	
Total connections queued for accept	Total number of connections added to the TFO connection accept queue by auto discovery.
Accept queue add failures	Number of connections that could not be added to the TFO connection accept queue due to a failure. The failure could possibly be due to queue overflow.
AO discovery successful	Number of times TFO discovery was successful.
AO discovery failure	Number of times TFO discovery failed.

Related Commands [show statistics connection closed](#)

show statistics udp

To display User Datagram Protocol (UDP) statistics for a WAAS device, use the **show statistics udp EXEC** command.

show statistics udp

Syntax Description This command has no arguments or keywords.

Defaults No default behavior or values.

Command Modes EXEC

Device Modes application-accelerator
central-manager

Examples [Table 3-115](#) describes the fields shown in the **show statistics udp** command display.

Table 3-115 Field Descriptions for the show statistics udp Command

Field	Description
UDP statistics	
Packets received	Total number of UDP datagrams delivered to UDP users.
Packets to unknown port received	Total number of received UDP datagrams for which there was no application at the destination port.
Packet receive error	Number of received UDP datagrams that could not be delivered for reasons other than the lack of an application at the destination port.
Packet sent	Total number of UDP datagrams sent from this entity.

show statistics wccp

To display WCCP statistics for a WAE, use the **show statistics wccp** EXEC command.

show statistics wccp gre

Syntax Description	gre	Displays WCCP generic routing encapsulation packet-related statistics.
---------------------------	------------	--

Defaults	No default behavior or values.
-----------------	--------------------------------

Command Modes	EXEC
----------------------	------

Device Modes	application-accelerator
---------------------	-------------------------

Usage Guidelines GRE is a Layer 3 technique that allows datagrams to be encapsulated into IP packets at the WCCP-enabled router and then redirected to a WAE (the transparent proxy server). At this intermediate destination, the datagrams are decapsulated and then routed to an origin server to satisfy the request if a cache miss occurs. In doing so, the trip to the origin server appears to the inner datagrams as one hop. Usually, the redirected traffic using GRE is referred to as GRE tunnel traffic. With GRE, all redirection is handled by the router software.

With WCCP redirection, a Cisco router does not forward the TCP SYN packet to the destination because the router has WCCP enabled on the destination port of the connection. Instead, the WCCP-enabled router encapsulates the packet using GRE tunneling and sends it to the WAE that has been configured to accept redirected packets from this WCCP-enabled router.

After receiving the redirected packet, the WAE does the following:

1. Strips the GRE layer from the packet.
2. Decides whether it should accept this redirected packet and process the request for the content as follows:
 - a. If the WAE accepts the request, it sends a TCP SYN ACK packet to the client. In this response packet, the WAE uses the IP address of the original destination (origin server) that was specified as the source address so that the WAE can be invisible (transparent) to the client; it acts as if it is the destination that the TCP SYN packet of the client was trying to reach.
 - b. If the WAE does not accept the request, it reencapsulates the TCP SYN packet in GRE and sends it back to the WCCP-enabled router. The router identifies that the WAE is not interested in this connection and forwards the packet to its original destination (the origin server).

For example, a WAE would not accept the request because it is configured to bypass requests that originate from a certain set of clients or that are destined to a particular set of servers.

Examples	Table 3-116 describes the fields shown in the show statistics wccp gre command display.
-----------------	--

Table 3-116 Field Descriptions for the show statistics wccp gre Command

Field	Description
Transparent GRE packets received	Total number of GRE packets received by the WAE, regardless of whether or not they have been intercepted by WCCP. GRE is a Layer 3 technique that allows packets to reach the WAE, even if there are any number of routers in the path to the WAE.
Transparent non-GRE packets received	Number of non-GRE packets received by the WAE, either using the traffic interception and redirection functions of WCCP in the router hardware at Layer 2 or Layer 4 switching (a Content Switching Module [CSM]) that redirects requests transparently to the WAE.
Transparent non-GRE packets passed through	Number of non-GRE packets transparently intercepted by a Layer 4 switch and redirected to the WAE.
Total packets accepted	Total number of packets that are transparently intercepted and redirected to the WAE to serve client requests for content.
Invalid packets received	Number of packets that are dropped either because the redirected packet is a GRE packet and the WCCP GRE header has invalid data or the IP header of the redirected packet is invalid.
Packets received with invalid service	Number of WCCP version 2 GRE redirected packets that contain an invalid WCCP service number.
Packets received on a disabled service	Number of WCCP version 2 GRE redirected packets that specify the WCCP service number for a service that is not enabled on the WAE. For example, an HTTPS request redirected to the WAE when the HTTPS-caching service (service 70) is not enabled.
Packets received too small	Number of GRE packets redirected to the WAE that do not contain the minimum amount of data required for a WCCP GRE header.
Packets dropped due to zero TTL	Number of GRE packets that are dropped by the WAE because the IP header of the redirected packet has a zero TTL.
Packets dropped due to bad buckets	Number of packets that are dropped by the WAE because the WCCP flow redirection could not be performed due to a bad mask or hash bucket determination. Note A bucket is defined as a certain subsection of the allotted hash assigned to each WAE in a WAE cluster. If only one WAE exists in this environment, it has 256 buckets assigned to it.
Packets dropped due to no redirect address	Number of packets that are dropped because the flow redirection destination IP address could not be determined.
Packets dropped due to loopback redirect	Number of packets that are dropped by the WAE when the destination IP address is the same as the loopback address.
Pass-through pkts dropped on assignment update	Number of packets that were targeted for TFO pass-through, but were dropped instead because the bucket was not owned by the device.

Table 3-116 Field Descriptions for the *show statistics wccp gre* Command (continued)

Field	Description
Connections bypassed due to load	Number of connection flows that are bypassed when the WAE is overloaded. When the overload bypass option is enabled, the WAE bypasses a bucket and reroutes the overload traffic. If the load remains too high, another bucket is bypassed, and so on, until the WAE can handle the load.
Packets sent back to router	Number of requests that are passed back by the WAE to the WCCP-enabled router from which the request was received. The router then sends the flow toward the origin web server directly from the web browser, which bypasses the WAE.
Packets sent to another WAE	Number of packets that are redirected to another WAE in the WCCP service group. Service groups consist of up to 32 WAEs and 32 WCCP-enabled routers. In both packet-forwarding methods, the hash parameters specify how redirected traffic should be load balanced among the WAEs in the various WCCP service groups.
GRE fragments redirected	Number of GRE packets received by the WAE that are fragmented. These packets are redirected back to the router.
GRE encapsulated fragments received	Number of GRE encapsulated fragments received by the WAE. The tcp-promiscuous service does not inspect port information and therefore the router or switch may GRE encapsulate IP fragments and redirect them to the WAE. These fragments are then reassembled into packets before being processed.
Packets failed encapsulated reassembly	Number of reassembled GRE encapsulated packets that were dropped because they failed the reassembly sanity check. Reassembled GRE encapsulated packets are composed of two or more GRE encapsulated fragments. This field is related to the previous statistic.
Packets failed GRE encapsulation	Number of GRE packets that are dropped by the WAE because they could not be redirected due to problems while encapsulating the packet with a GRE header.
Packets dropped due to invalid fwd method	Number of GRE packets that are dropped by the WAE because it was redirected using GRE but the WCCP service was configured for Layer 2 redirection.
Packets dropped due to insufficient memory	Number of GRE packets that are dropped by the WAE due to the failure to allocate additional memory resources required to handle the GRE packet.
Packets bypassed, no pending connection	Number of packets that failed to be associated with a pending connection because the initial handshake was not completed.
Packets due to clean wccp shutdown	Number of connection flows that are bypassed due to a clean WCCP shutdown. During a proper shutdown of WCCP, the WAE continues to service the flows it is handling but starts to bypass new flows. When the number of flows goes down to zero, the WAE takes itself out of the cluster by having its buckets reassigned to other WAEs by the lead WAE.

Table 3-116 Field Descriptions for the `show statistics wccp gre` Command (continued)

Field	Description
Packets bypassed due to bypass-list lookup	Number of connection flows that are bypassed due to a bypass list entry. When the WAE receives an error response from an origin server, it adds an entry for the server to its bypass list. When it receives subsequent requests for the content residing on the bypassed server, it redirects packets to the bypass gateway. If no bypass gateway is configured, then the packets are returned to the redirecting Layer 4 switch.
Conditionally Accepted connections	Number of connection flows that are accepted by the WAE due to the conditional accept feature.
Conditionally Bypassed connections	Number of connection flows that are bypassed by the WAE due to the conditional accept feature.
Packets dropped due to received on loopback	Number of packets that were dropped by the WCCP L2 intercept layer because they were received on the loopback interface but were not destined to a local address of the device. There is no valid or usable route for the packet.
Packets w/WCCP GRE received too small	Number of packets transparently intercepted by the WCCP-enabled router at Layer 2 and sent to the WAE that need to be fragmented for the packets to be redirected using GRE. The WAE drops the packets since it cannot encapsulate the IP header.
Packets dropped due to IP access-list deny	Number of packets that are dropped by the WAE when an IP access list that the WAE applies to WCCP GRE encapsulated packets denies access to WCCP applications (the <code>wccp access-list</code> command).
Packets fragmented for bypass	Number of GRE packets that do not contain enough data to hold an IP header.
Packet pullups needed	Number of times a packet had to be consolidated as part of its processing. Consolidation is required when a packet is received as fragments and the first fragment does not contain all the information needed to process it.
Packets dropped due to no route found	Number of packets that are dropped by the WAE because it cannot find the route.

Related Commands

[\(config\) wccp access-list](#)
[\(config\) wccp flow-redirect](#)
[\(config\) wccp router-list](#)
[\(config\) wccp shutdown](#)
[\(config\) wccp tcp-promiscuous mask](#)

show statistics windows-domain

To display Windows domain server information for a WAAS device, use the **show statistics windows-domain** EXEC command.

show statistics windows-domain

Syntax Description This command has no arguments or keywords.

Defaults No default behavior or values.

Command Modes EXEC

Device Modes application-accelerator
central-manager

Usage Guidelines Use the **show statistics windows-domain** EXEC command to view the Windows domain server statistics, then clear the counters for these statistics by entering the **clear statistics windows-domain** EXEC command.

Examples [Table 3-117](#) describes the fields shown in the **show statistics windows-domain** command display.

Table 3-117 Field Descriptions for the show statistics windows-domain Command

Field	Description
Windows Domain Statistics	
Authentication	
Number of access requests	Number of access requests.
Number of access deny responses	Number of access deny responses.
Number of access allow responses	Number of access allow responses.
Authorization	
Number of authorization requests	Number of authorization requests.
Number of authorization failure responses	Number of authorization failure responses.
Number of authorization success responses	Number of authorization success responses.

Table 3-117 *Field Descriptions for the show statistics windows-domain Command (continued)*

Field	Description
Accounting	
Number of accounting requests	Number of accounting requests.
Number of accounting failure responses	Number of accounting failure responses.
Number of accounting success responses	Number of accounting success responses.

Related Commands[windows-domain](#)[\(config\) windows-domain](#)

show statistics windows-print requests

To display Windows print acceleration statistics for a WAE, use the **show statistics windows-print requests EXEC** command.

show statistics windows-print requests

Syntax Description This command has no arguments or keywords.

Defaults No default behavior or values.

Command Modes EXEC

Device Modes application-accelerator

Usage Guidelines Use the **show statistics windows-print requests** command to view the Windows print traffic details.

Examples [Table 3-118](#) describes the fields shown in the **show statistics windows-print requests** command display.

Table 3-118 Field Descriptions for the show statistics windows-print requests Command

Field	Description
Statistics gathering period	Number of hours, minutes, seconds, and milliseconds of the statistics gathering period.
Documents spooled	Number of documents spooled.
Pages spooled	Number of pages spooled.
Total commands	Total number of print commands.
Remote commands	Number of print commands that were not handled from the local cache.
ALL_COMMANDS	All the print commands combined.
total	Total number of requests for all commands.
remote	Number of remote requests for all commands.
async	Number of async requests for all commands.
avg local	Average local request time in milliseconds for all commands.
avg remote	Average remote request time in milliseconds for all commands.
Bind, ClosePrinter, EnumJobs, and so on	Statistics for individual print commands. Each has the same fields as the ALL_COMMANDS section.

■ show statistics windows-print requests

Related Commands [\(config\) accelerator windows-print](#)

show synq list

To display the connections for the SynQ module, use the **show synq list** EXEC command.

```
show synq list [| {begin regex [regex] | exclude regex [regex] | include regex [regex]}] [| {begin
regex [regex] | exclude regex [regex] | include regex [regex]}]
```

Syntax Description	
	 (Optional) Output modifier.
begin <i>regex</i>	Begins with the line that matches the regular expression. You can enter multiple expressions.
exclude <i>regex</i>	Excludes lines that match the regular expression. You can enter multiple expressions.
include <i>regex</i>	Includes lines that match the regular expression. You can enter multiple expressions.

Defaults No default behavior or values.

Command Modes EXEC

Device Modes application-accelerator

Usage Guidelines Use the **show synq list** command to list connections that are currently being tracked in the SynQ module.

Examples The following is sample output from the **show synq list** command:

```
WAE# show synq list
Src-IP:Src-Port      Dest-IP:Dest-Port      Timeout(msec)  Rexit cnt
```

Related Commands [show statistics synq](#)

show sysfs volumes

To display system file system (sysfs) information for a WAAS device, use the **show sysfs volumes EXEC** command.

show sysfs volumes

Syntax Description This command has no arguments or keywords.

Defaults No default behavior or values.

Command Modes EXEC

Device Modes application-accelerator
central-manager

Usage Guidelines The system file system (sysfs) stores log files, including transaction logs, syslogs, and internal debugging logs. It also stores system image files and operating system files.

Examples [Table 3-119](#) describes the fields shown in the **show sysfs volumes** command display.

Table 3-119 *Field Descriptions for the show sysfs volumes Command*

Field	Description
sysfs 00–04	System file system and disk number.
/local/local1–5	Mount point of the volume.
nnnnnnKB	Size of the volume in kilobytes.
nn% free	Percentage of free space in the SYSFS partition.

Related Commands [disk](#)
[\(config\) disk error-handling](#)

show tacacs

To display TACACS+ authentication protocol configuration information for a WAAS device, use the **show tacacs EXEC** command.

show tacacs

Syntax Description This command has no arguments or keywords.

Defaults No default behavior or values.

Command Modes EXEC

Device Modes application-accelerator
central-manager

Examples [Table 3-120](#) describes the fields shown in the **show tacacs** command display.

Table 3-120 Field Descriptions for the show tacacs Command

Field	Description
Login Authentication for Console/Telnet Session	Indicates whether TACACS+ server is enabled for login authentication.
Configuration Authentication for Console/Telnet Session	Indicates whether TACACS+ server is enabled for authorization or configuration authentication.
TACACS+ Configuration	TACACS+ server parameters.
TACACS+ Authentication	Indicates whether TACACS+ authentication is enabled on the the WAAS device.
Key	Secret key that the WAE uses to communicate with the TACACS+ server. The maximum number of characters in the TACACS+ key should not exceed 99 printable ASCII characters (except tabs).
Timeout	Number of seconds that the WAAS device waits for a response from the specified TACACS+ authentication server before declaring a timeout.
Retransmit	Number of times that the WAAS device is to retransmit its connection to the TACACS+ if the TACACS+ timeout interval is exceeded.
Password type	Mechanism for password authentication. By default, the Password Authentication Protocol (PAP) is the mechanism for password authentication.

Table 3-120 *Field Descriptions for the show tacacs Command (continued)*

Field	Description
Server	Hostname or IP address of the TACACS+ server.
Status	Indicates whether server is the primary or secondary host.

Related Commands[clear arp-cache](#)[show statistics tacacs](#)[show tacacs](#)[\(config\) tacacs](#)

show tcp

To display TCP configuration information for a WAAS device, use the **show tcp** EXEC command.

show tcp

Syntax Description This command has no arguments or keywords.

Defaults No default behavior or values.

Command Modes EXEC

Device Modes application-accelerator
central-manager

Examples [Table 3-121](#) describes the fields shown in the **show tcp** command display. This command displays the settings configured with the **tcp** global configuration command.

Table 3-121 Field Descriptions for the show tcp Command

Field	Description
TCP Configuration	
TCP keepalive timeout XX sec	Length of time that the WAAS device is set to keep a connection open before disconnecting.
TCP keepalive probe count X	Number of times the WAAS device will retry a connection before the connection is considered unsuccessful.
TCP keepalive probe interval XX sec	Length of time (in seconds) that the WAAS device is set to keep an idle connection open.
TCP explicit congestion notification disabled	Configuration status of the TCP explicit congestion notification feature. Values are enabled or disabled.
TCP cwnd base value X	Value (in segments) of the send congestion window.
TCP initial slowstart threshold value X	Threshold (in segments) for slow start.
TCP increase (multiply) retransmit timer by X	Number of times set to increase the length of the retransmit timer base value.
TCP memory_limit	
Low water mark	Lower limit (in MB) of memory pressure mode, below which TCP enters into normal memory allocation mode.
High water mark (pressure)	Upper limit (in MB) of normal memory allocation mode, beyond which TCP enters into memory pressure mode.
High water mark (absolute)	Absolute limit (in MB) on TCP memory usage.

Related Commands[clear arp-cache](#)[show statistics tcp](#)[\(config\) tcp](#)

show tech-support

To view information necessary for Cisco TAC to assist you, use the **show tech-support EXEC** command.

show tech-support [page]

Syntax Description	page (Optional) Displays command output page by page.
Defaults	No default behavior or values.
Command Modes	EXEC
Device Modes	application-accelerator central-manager
Usage Guidelines	Use the show tech-support command to view system information necessary for Cisco TAC to assist you with a WAAS device. We recommend that you log the output to a disk file. (See the (config) logging console command.)

Examples The following is sample output from the **show tech-support** command:



Note

Because the **show tech-support** command output can be long, excerpts are shown in this example.

```
WAE# show tech-support
----- version and hardware -----

Cisco Wide Area Application Services Software (WAAS)
Copyright (c) 1999-2006 by Cisco Systems, Inc.
...
Version: ce510-4.0.0.180

Compiled 18:08:17 Feb 16 2006 by cnbuild

System was restarted on Fri Feb 17 23:09:53 2006.
The system has been up for 5 weeks, 3 days, 2 hours, 9 minutes, 49 seconds.

CPU 0 is GenuineIntel Intel(R) Celeron(R) CPU 2.40GHz (rev 2) running at 2401MHz
.
Total 1 CPU.
512 Mbytes of Physical memory.
...
BIOS Information:
Vendor                : IBM
Version               : -[PLEC52AUS-C.52]-
Rel. Date             : 05/19/03
...
```

List of all disk drives:
Physical disk information:

```
disk00: Normal          (IDE disk)          76324MB( 74.5GB)
disk01: Normal          (IDE disk)          76324MB( 74.5GB)
```

Mounted filesystems:

MOUNT POINT	TYPE	DEVICE	SIZE	INUSE	FREE	USE%
/	root	/dev/root	31MB	26MB	5MB	83%
/sw	internal	/dev/md0	991MB	430MB	561MB	43%
/swstore	internal	/dev/md1	991MB	287MB	704MB	28%
/state	internal	/dev/md2	3967MB	61MB	3906MB	1%
/disk00-04	CONTENT	/dev/md4	62539MB	32MB	62507MB	0%
/local/local1	SYSFS	/dev/md5	3967MB	197MB	3770MB	4%
.../local1/spool	PRINTSPOOL	/dev/md6	991MB	16MB	975MB	1%

Software RAID devices:

DEVICE NAME	TYPE	STATUS	PHYSICAL DEVICES AND STATUS	
/dev/md0	RAID-1	NORMAL OPERATION	disk00/00[GOOD]	disk01/00[GOOD]
/dev/md1	RAID-1	NORMAL OPERATION	disk00/01[GOOD]	disk01/01[GOOD]
/dev/md0	RAID-1	NORMAL OPERATION	disk00/00[GOOD]	disk01/00[GOOD]
/dev/md1	RAID-1	NORMAL OPERATION	disk00/01[GOOD]	disk01/01[GOOD]
/dev/md2	RAID-1	NORMAL OPERATION	disk00/02[GOOD]	disk01/02[GOOD]

...
Currently content-filestystems RAID level is not configured to change.

----- running configuration -----

```
! WAAS version 4.0.0
!
!
...
```

----- processes -----

CPU average usage since last reboot:

```
cpu: 0.00% User, 1.79% System, 3.21% User(nice), 95.00% Idle
```

```
-----
PID  STATE  PRI  User  T  SYS  T  COMMAND
-----
  1   S    0   20138 21906 (init)
  2   S    0     0     0 (migration/0)
  3   S   19     0     0 (ksoftirqd/0)
  4   S  -10     0     0 (events/0)
  5   S  -10     0     0 (khelper)
 17   S  -10     0     0 (kacpid)
 93   S  -10     0     0 (kblockd/0)
...
```

Related Commands

[show version](#)

[show hardware](#)

[show disks details](#)

[show running-config](#)

[show processes](#)

show processes memory
show memory
show interface
show cdp entry
show cdp neighbors
show statistics wccp
show alarms all
show statistics auto-discovery
show statistics filtering
show statistics ip
show statistics icmp
show statistics netstat
show statistics peer
show statistics tfo
show policy-engine status
show policy-engine application
show disks SMART-info
show disks SMART-info details
show disks failed-sectors

show telnet

To display Telnet services configuration for a WAAS device, use the **show telnet** EXEC command.

show telnet

Syntax Description This command has no arguments or keywords.

Defaults No default behavior or values.

Command Modes EXEC

Device Modes application-accelerator
central-manager

Examples The following is sample output from the **show telnet** command. It shows whether or not Telnet is enabled on the WAAS device.

```
WAE# show telnet
telnet service is enabled
```

Related Commands [telnet](#)
[\(config\) telnet enable](#)
[\(config\) exec-timeout](#)

show tfo tcp

To display global Traffic Flow Optimization (TFO) TCP buffer information for a WAE, use the **show tfo tcp** EXEC command.

show tfo tcp

Syntax Description This command has no arguments or keywords.

Defaults No default behavior or values.

Command Modes EXEC

Device Modes application-accelerator

Examples The following is sample output from the **show tfo tcp** command. It displays TCP buffer information for the WAE.

```
WAE# show tfo tcp
Buffer Sizing Status:
Configured:
Adaptive buffer sizing : disabled
Maximum receive buffer size : 4096 KB
Maximum send buffer size : 4096 KB
Fix buffer sizes:
Optimized side receive buffer size : 1024 KB
Optimized side send buffer size : 1024 KB
Original side receive buffer size : 512 KB
Original side send buffer size : 512 KB
Default:
Fixed buffer sizes:
Optimized side receive buffer size : 32 KB
Optimized side send buffer size : 32 KB
Original side receive buffer size : 32 KB
Original side send buffer size : 32 KB
Adaptive buffer sizes :
Maximum receive buffer size : 4096 KB
Maximum send buffer size : 4096 KB
```

Related Commands

- [show statistics tfo](#)
- [show statistics auto-discovery](#)
- [show statistics connection closed](#)
- [show statistics filtering](#)
- [\(config\) tfo tcp adaptive-buffer-sizing](#)

show transaction-logging

To display the transaction log configuration settings and a list of archived transaction log files for a WAE, use the **show transaction-logging EXEC** command.

show transaction-logging

Syntax Description This command has no arguments or keywords.

Defaults No default behavior or values.

Command Modes EXEC

Device Modes application-accelerator

Usage Guidelines Use the **show transaction-logging EXEC** command to display information about the current configuration of transaction logging on a WAE. Transaction log file information is displayed for TFO transactions and video accelerator transactions.



Note

For security reasons, passwords are never displayed in the output of the **show transaction-logging EXEC** command.

Examples The following is sample output from the **show transaction-logging** command. It lists information about the current configuration of transaction logging on a WAE.

```
WAAE# show transaction-logging
Flow transaction log configuration:
-----
Flow Logging is disabled.
Flow Archive interval: every-day every 1 hour
Flow Maximum size of archive file: 2000000 KB

Exporting files to ftp servers is disabled.
File compression is disabled.
Export interval: every-day every 1 hour
Accelerator video windows-media transaction log configuration:
-----
Accelerator video windows-media logging is disabled.
Accelerator video windows-media archive interval: every-day every 1 hour
Accelerator video windows-media maximum size of archive file: 2000000 KB

Exporting files to ftp servers is disabled.
File compression is disabled.
Export interval: every-day every 1 hour
```

Related Commands

[clear arp-cache](#)
[transaction-log](#)
[\(config\) transaction-logs](#)

show user

To display user identification number and username information for a particular user of a WAAS device, use the **show user** EXEC command.

```
show user {uid number | username name}
```

Syntax Description

uid <i>number</i>	Displays user information based on the identification number of the user (0–65535).
username <i>name</i>	Displays user information based on the name of the user.

Command Default

No default behavior or values.

Command Modes

EXEC

Device Modes

application-accelerator
central-manager

Examples

[Table 3-122](#) describes the fields shown in the **show user** command display.

Table 3-122 Field Descriptions for the show user Command

Field	Description
Uid	User ID number.
Username	Username.
Password	Login password. This field does not display the actual password.
Privilege	Privilege level of the user.
Configured in	Database in which the login authentication is configured.

Related Commands

[clear arp-cache](#)
[show users administrative](#)
[\(config\) username](#)

show users administrative

To display users with administrative privileges to the WAAS device, use the **show users administrative EXEC** command.

show users administrative [history | locked-out | logged-in]

Syntax Description		
	administrative	Displays a list of users defined on the device.
	history	Displays a historical list of user log-ins.
	locked-out	Displays a list of locked out users.
	logged-in	Displays a list of users that are logged in.

Defaults No default behavior or values.

Command Modes EXEC

Device Modes application-accelerator
central-manager

Examples [Table 3-123](#) describes the fields shown in the **show users administrative history** command display.

Table 3-123 Field Descriptions for the show users administrative history Command

Field	Description
Username	Users that have logged in to this appliance CLI during the historical period.
Line	Type of terminal used to access this appliance.
IP address/Host	IP address or hostname of the user that logged in to this appliance.
Login details	Day of the week, month, date, time, and whether or not the user is still logged in.

[Table 3-124](#) describes the fields shown in the **show users administrative logged-in** command display.

Table 3-124 Field Descriptions for the show users administrative logged-in Command

Field	Description
Username	Users currently logged in to the appliance CLI.
Line	Type of terminal used to access this appliance.

Table 3-124 Field Descriptions for the *show users administrative logged-in* Command

Field	Description
IP address/Host	IP address or hostname of the user that is logged in to this appliance.
Loginn details	Day of week, month, date, and time that each user logged in.

Related Commands

[clear arp-cache](#)
[\(config\) username](#)

show version

To display version information about the WAAS software that is running on the WAAS device, use the **show version EXEC** command.

show version [last | pending]

Syntax Description	
last	(Optional) Displays the version information for the last saved image.
pending	(Optional) Displays the version information for the pending upgraded image.

Defaults No default behavior or values.

Command Modes EXEC

Device Modes application-accelerator
central-manager

Examples [Table 3-125](#) describes the fields shown in the **show version** command display.

Table 3-125 Field Descriptions for the show version Command

Field	Description
Cisco Wide Area Application Services Software (WAAS) Copyright (c) <i>year</i> by Cisco Systems, Inc. Cisco Wide Area Application Services Software (WAAS-UNIVERSAL-K9) Release XXX (build bXXX month day year)	Software application, copyright, release, and build information. Displays WAAS-UNIVERSAL-K9 for the full software image or WAAS-ACCELERATOR-K9 for the accelerator only software image.
Version	Version number of the software that is running on the device.
Compiled hour:minute:second month day year by cnbuild	Complete information for the software build.
System was restarted on day of week month day hour:minute:second year	Date and time that the system was last restarted.
The system has been up for X hours, X minutes, X seconds	Length of time the system has been running since the last reboot.

show virtual-blade

To display virtual blade information on your WAE device, use the **show virtual-blade** EXEC command.

show virtual-blade [*virtual-blade-number* [**blockio** | **interface** {**1** | **2**}] | **detail** | **vmstat**]

Syntax Description	
<i>virtual-blade-number</i>	Specifies an individual virtual blade for which to view detailed information.
blockio	Displays statistics information for disk devices on a virtual blade.
interface 1 2	Displays statistics information for a bridged network interface on a virtual blade.
detail	Displays detailed information about all virtual blades.
vmstat	Displays virtual machine statistics information for all virtual blades.

Command Default No default behavior or values.

Command Modes EXEC

Device Modes application-accelerator

Examples The following is sample output from the **show virtual-blade** command. It displays general virtual blade information for all virtual blades.

```
WAE# show virtual-blade
Virtual-blade resources:
  VB Memory: 1000MiB configured, 3072MiB available.
  VB Disk space: 40GiB configured, 180GiB available.
  VB Image space /local1/vbs: 128MiB used, 125644MiB available
  CPU(s) assigned: 2
Virtual-blade(s) state:
  virtual-blade 1 is running
```

The following is sample output from the **show virtual-blade detail** command. It displays detailed information for all virtual blades.

```
WAE# show virtual-blade detail
*** virtual blade 1 ***
virtual-blade 1
config:
  description Windows 2008 Server
  device cpu qemu64
  device nic rtl8139
  device disk IDE
  device keyboard us
  cpu-list 1 2
  memory 1000
  disk 40
  no boot fd-image
  boot cd-image /local1/vbs/WoW_1.0.2.iso
  boot from cd-rom
```



```

interface 1 bridge GigabitEthernet 1/0 mac-address 00:16:3E:97:6F:84
no vnc
autostart
state:
  running
  serial console session inactive
  vnc server disabled
current cd /local1/vbs/WoW_1.0.2.iso
current floppy [not inserted]

```

Table 3-126 describes the fields shown in the general **show virtual-blade** display.

Table 3-126 Field Descriptions for the General **show virtual-blade** Command

Field	Description
VB Memory	The amount of WAAS system memory assigned to all virtual blades, and the amount of memory remaining.
VB Disk Space	The amount of WAAS system disk space assigned to all virtual blades, and the amount of disk space remaining.
VB Image space	The location and amount of virtual blade image space assigned to the virtual blade, and the amount of disk space remaining.
CPU(s) Assigned	CPU numbers of the CPUs assigned for use by virtual blades. (For example, if 2 is shown, that means that CPU number 2 is assigned for use by virtual blades.)
Virtual Blade State	The state of each defined virtual blade (running or stopped).

Table 3-127 describes the fields shown in the **show virtual-blade detail** command display for each virtual blade.

Table 3-127 Field Descriptions for the **show virtual-blade detail** Command

Field	Description
virtual blade	Virtual blade number.
description	Description of the virtual blade.
device	Device emulation parameters used by the virtual blade.
cpu-list	CPUs allocated to the virtual blade.
memory	Memory allocated to the virtual blade, in MB.
disk	Disk space allocated to the virtual blade, in GB.
no boot fd-image	Floppy disk image from which the virtual blade is configured to boot. In this case, it shows that the virtual blade is not configured to boot from the floppy disk image.
boot cd-image	CD-ROM image from which the virtual blade is configured to boot. Appears only if boot cd-image is configured.
boot from	Boot source location.
interface	Interface bridging configuration.
no vnc	Shows that the VNC server is disabled. (This line does not appear when the VNC server is enabled.)

Table 3-127 Field Descriptions for the *show virtual-blade detail* Command

Field	Description
autostart	Shows that the virtual blade is configured to start automatically.
state	State of the virtual blade (running or stopped) and other runtime information.

Related Commands**virtual-blade****(config) virtual-blade****(config-vb) autostart****(config-vb) boot****(config-vb) cpu-list****(config-vb) description****(config-vb) device****(config-vb) disk****(config-vb) interface****(config-vb) memory****(config-vb) vnc**

show wccp

To display Web Cache Connection Protocol (WCCP) information for a WAE, use the **show wccp EXEC** command.

show wccp wide-area-engines

show wccp flows {tcp-promiscuous} [summary]

show wccp gre

show wccp masks {tcp-promiscuous} [summary]

show wccp routers

show wccp services [detail]

show wccp status

Syntax	Description
wide-area-engines	Displays which WAEs are seen by which routers.
flows	Displays WCCP packet flows.
tcp-promiscuous	Displays TCP-PROMISCUOUS caching service packet flows.
summary	(Optional) Displays summarized information about TCP-PROMISCUOUS caching service packet flows.
gre	Displays WCCP generic routing encapsulation packet-related information.
masks	Displays WCCP mask assignments for a given service.
routers	Displays routers seen and not seen by this WAE.
services	Displays WCCP services configured.
detail	(Optional) Displays details of services.
status	Displays version of WCCP that is enabled and running.

Defaults No default behavior or values.

Command Modes EXEC

Device Modes application-accelerator

Examples [Table 3-128](#) describes the fields shown in the **show wccp gre** command display.

Table 3-128 Field Descriptions for the show wccp gre Command

Field	Description
Transparent GRE packets received	Total number of GRE packets received by the WAE, regardless of whether or not they have been intercepted by WCCP. GRE is a Layer 3 technique that allows packets to reach the WAE, even if there are any number of routers in the path to the WAE.
Transparent non-GRE packets received	Number of non-GRE packets received by the WAE, either using the traffic interception and redirection functions of WCCP in the router hardware at Layer 2 or Layer 4 switching (a Content Switching Module [CSM]) that redirects requests transparently to the WAE.
Transparent non-GRE packets passed through	Number of non-GRE packets transparently intercepted by a Layer 4 switch and redirected to the WAE.
Total packets accepted	Total number of packets that are transparently intercepted and redirected to the WAE to serve client requests for content.
Invalid packets received	Number of packets that are dropped either because the redirected packet is a GRE packet and the WCCP GRE header has invalid data or the IP header of the redirected packet is invalid.
Packets received with invalid service	Number of WCCP version 2 GRE redirected packets that contain an invalid WCCP service number.
Packets received on a disabled service	Number of WCCP version 2 GRE redirected packets that specify the WCCP service number for a service that is not enabled on the WAE. For example, an HTTPS request redirected to the WAE when the HTTPS-caching service (service 70) is not enabled.
Packets received too small	Number of GRE packets redirected to the WAE that do not contain the minimum amount of data required for a WCCP GRE header.
Packets dropped due to zero TTL	Number of GRE packets that are dropped by the WAE because the IP header of the redirected packet has a zero TTL.
Packets dropped due to bad buckets	Number of packets that are dropped by the WAE because the WCCP flow redirection could not be performed due to a bad mask or hash bucket determination. Note A bucket is defined as a certain subsection of the allotted hash assigned to each WAE in a WAE cluster. If only one WAE exists in this environment, it has 256 buckets assigned to it.
Packets dropped due to no redirect address	Number of packets that are dropped because the flow redirection destination IP address could not be determined.
Packets dropped due to loopback redirect	Number of packets that are dropped by the WAE when the destination IP address is the same as the loopback address.
Pass-through pkts dropped on assignment update	Number of packets that were targeted for TFO pass-through, but were dropped instead because the bucket was not owned by the device.

Table 3-128 Field Descriptions for the show wccp gre Command (continued)

Field	Description
Connections bypassed due to load	Number of connection flows that are bypassed when the WAE is overloaded. When the overload bypass option is enabled, the WAE bypasses a bucket and reroutes the overload traffic. If the load remains too high, another bucket is bypassed, and so on, until the WAE can handle the load.
Packets sent back to router	Number of requests that are passed back by the WAE to the WCCP-enabled router from which the request was received. The router then sends the flow toward the origin web server directly from the web browser, which bypasses the WAE.
Packets sent to another WAE	Number of packets that are redirected to another WAE in the WCCP service group. Service groups consist of up to 32 WAEs and 32 WCCP-enabled routers. In both packet-forwarding methods, the hash parameters specify how redirected traffic should be load balanced among the WAEs in the various WCCP service groups.
GRE fragments redirected	Number of GRE packets received by the WAE that are fragmented. These packets are redirected back to the router.
GRE encapsulated fragments received	Number of GRE encapsulated fragments received by the WAE. The tcp-promiscuous service does not inspect port information and therefore the router or switch may GRE encapsulate IP fragments and redirect them to the WAE. These fragments are then reassembled into packets before being processed.
Packets failed encapsulated reassembly	Number of reassembled GRE encapsulated packets that were dropped because they failed the reassembly sanity check. Reassembled GRE encapsulated packets are composed of two or more GRE encapsulated fragments. This field is related to the previous statistic.
Packets failed GRE encapsulation	Number of GRE packets that are dropped by the WAE because they could not be redirected due to problems while encapsulating the packet with a GRE header.
Packets dropped due to invalid fwd method	Number of GRE packets that are dropped by the WAE because it was redirected using GRE but the WCCP service was configured for Layer 2 redirection.
Packets dropped due to insufficient memory	Number of GRE packets that are dropped by the WAE due to the failure to allocate additional memory resources required to handle the GRE packet.
Packets bypassed, no pending connection	Number of packets that failed to be associated with a pending connection because the initial handshake was not completed.
Packets due to clean wccp shutdown	Number of connection flows that are bypassed due to a clean WCCP shutdown. During a proper shutdown of WCCP, the WAE continues to service the flows it is handling but starts to bypass new flows. When the number of flows goes down to zero, the WAE takes itself out of the cluster by having its buckets reassigned to other WAEs by the lead WAE.

Table 3-128 Field Descriptions for the `show wccp gre` Command (continued)

Field	Description
Packets bypassed due to bypass-list lookup	Number of connection flows that are bypassed due to a bypass list entry. When the WAE receives an error response from an origin server, it adds an entry for the server to its bypass list. When it receives subsequent requests for the content residing on the bypassed server, it redirects packets to the bypass gateway. If no bypass gateway is configured, then the packets are returned to the redirecting Layer 4 switch.
Conditionally Accepted connections	Number of connection flows that are accepted by the WAE due to the conditional accept feature.
Conditionally Bypassed connections	Number of connection flows that are bypassed by the WAE due to the conditional accept feature.
Packets dropped due to received on loopback	Number of packets that were dropped by the WCCP L2 intercept layer because they were received on the loopback interface but were not destined to a local address of the device. There is no valid or usable route for the packet.
Packets w/WCCP GRE received too small	Number of packets transparently intercepted by the WCCP-enabled router at Layer 2 and sent to the WAE that need to be fragmented for the packets to be redirected using GRE. The WAE drops the packets since it cannot encapsulate the IP header.
Packets dropped due to IP access-list deny	Number of packets that are dropped by the WAE when an IP access list that the WAE applies to WCCP GRE encapsulated packets denies access to WCCP applications (the <code>wccp access-list</code> command).
Packets fragmented for bypass	Number of GRE packets that do not contain enough data to hold an IP header.
Packet pullups needed	Number of times a packet had to be consolidated as part of its processing. Consolidation is required when a packet is received as fragments and the first fragment does not contain all the information needed to process it.
Packets dropped due to no route found	Number of packets that are dropped by the WAE because it cannot find the route.

The following is sample output from the `show wccp services` command:

```
WAE# show wccp services
Services configured on this File Engine
    TCP Promiscuous 61
    TCP Promiscuous 62
```

The following is sample (partial) output from the `show wccp services detail` command:

```
WAE# show wccp services detail
Service Details for TCP Promiscuous 61 Service
  Service Enabled           : Yes
  Service Priority          : 34
  Service Protocol         : 6
  Application               : Unknown
  Service Flags (in Hex)   : 501
  Service Ports            :    0    0    0    0
                          :    0    0    0    0
```

```

Security Enabled for Service      : No
Multicast Enabled for Service    : No
Weight for this Web-CE          : 0
Negotiated forwarding method     : GRE
Negotiated assignment method     : HASH
Negotiated return method        : GRE
Received Values:
Source IP mask (in Hex)         : 0
Destination IP mask (in Hex)    : 0
Source Port mask (in Hex)       : 0
Destination Port mask (in Hex)  : 0
Calculated Values:
Source IP mask (in Hex)         : 0
Destination IP mask (in Hex)    : 1741
Source Port mask (in Hex)       : 0
Destination Port mask (in Hex)  : 0

```

```

Service Details for TCP Promiscuous 62 Service
Service Enabled                  : Yes
Service Priority                  : 34
Service Protocol                 : 6
Application                      : Unknown
Service Flags (in Hex)          : 502
Service Ports                    :      0      0      0      0
                                :      0      0      0      0
Security Enabled for Service     : No
Multicast Enabled for Service    : No
Weight for this Web-CE          : 0
Negotiated forwarding method     : GRE
Negotiated assignment method     : HASH
Negotiated return method        : GRE
Received Values:
Source IP mask (in Hex)         : 0
Destination IP mask (in Hex)    : 0
Source Port mask (in Hex)       : 0
Destination Port mask (in Hex)  : 0
Calculated Values:
Source IP mask (in Hex)         : 0
Destination IP mask (in Hex)    : 1741
Source Port mask (in Hex)       : 0
Destination Port mask (in Hex)  : 0

```

The following is sample output from the **show wccp routers** command:

```

WAE# show wccp routers
Router Information for Service: TCP Promiscuous 61
  Routers Configured and Seeing this File Engine(1)
    Router Id      Sent To      Recv ID
    0.0.0.0        10.10.20.1    00000000
  Routers not Seeing this File Engine
    10.10.20.1
  Routers Notified of but not Configured
  -NONE-
  Multicast Addresses Configured
  -NONE-
Router Information for Service: TCP Promiscuous 62
  Routers Configured and Seeing this File Engine(1)
    Router Id      Sent To      Recv ID
    0.0.0.0        10.10.20.1    00000000
  Routers not Seeing this File Engine
    10.10.20.1
  Routers Notified of but not Configured
  -NONE-
  Multicast Addresses Configured

```

-NONE-

The following is sample output from the **show wccp status** command:

```
WAE# show wccp status
WCCP version 2 is enabled and currently active
```

Related Commands

- [\(config\) wccp access-list](#)
- [\(config\) wccp flow-redirect](#)
- [\(config\) wccp router-list](#)
- [\(config\) wccp shutdown](#)
- [\(config\) wccp tcp-promiscuous mask](#)
- [\(config\) wccp version](#)

show windows-domain

To display Windows domain configuration information for a WAAS device, use the **show windows-domain** EXEC command.

show windows-domain

Syntax Description This command has no arguments or keywords.

Defaults No default behavior or values.

Command Modes EXEC

Device Modes application-accelerator
central-manager

Examples [Table 3-129](#) describes the fields shown in the **show windows-domain** command display.

Table 3-129 Field Descriptions for the show windows-domain Command

Field	Description
Login Authentication for Console/Telnet Session:	Status of the primary login authentication method for the session: enabled or disabled.
Configuration Authentication for Console/Telnet Session: enabled (secondary)	Status of the secondary login authentication method for the session:enabled or disabled.
Windows domain Configuration:	Shows the Windows domain configuration settings.
Workgroup	Workgroup identification string.
Comment	Comment line.
Net BIOS	Windows NetBIOS name for the WAE.
Realm	Kerberos Realm (similar to the Windows domain name, except for Kerberos).
WINS Server	IP address of the WINS server.
Password Server	Kerberos server DNS name.
Security	Type of authentication configured, either "Domain" for NTLM or "ADS" for Kerberos.
Administrative groups	

Table 3-129 Field Descriptions for the show windows-domain Command (continued)

Field	Description
Super user group	Active Directory(AD) group name. Users in this group have administrative rights.
Normal user group	AD group name. Users in this group have the normal/default privilege level in the WAE.

Related Commands[windows-domain](#)[\(config\) windows-domain](#)

shutdown

To shut down the WAAS device, use the **shutdown** EXEC command.

shutdown [poweroff]

Syntax Description	poweroff (Optional) Turns off the power after closing all applications and operating system.
---------------------------	---

Defaults No default behavior or values.

Command Modes EXEC

Device Modes application-accelerator
central-manager

Usage Guidelines A controlled shutdown refers to the process of properly shutting down a WAAS device without turning off the power on the device. With a controlled shutdown, all of the application activities and the operating system are properly stopped on a WAE, but the power remains on. Controlled shutdowns of a WAAS device can help you minimize the downtime when the WAAS device is being serviced.



Caution

If a controlled shutdown is not performed, the WAAS file system can be corrupted. Rebooting the WAAS device takes longer if it was not properly shut down.



Note

A WAAS device cannot be powered on again through the WAAS software after a software poweroff. You must press the power button once on a WAAS device to bring it back online.

The **shutdown** EXEC command facilitates a proper shutdown for WAAS device, and is supported on all WAE hardware models. The **shutdown poweroff** command is also supported by all of the WAE hardware models as they support the ACPI.

The **shutdown** command closes all applications and stops all system activities, but keeps the power on. The fans continue to run and the power LED is on, indicating that the device is still powered on. The device console displays the following menu after the shutdown process is completed:

```
===== SHUTDOWN SHELL =====
System has been shut down.
```

You can

0. Power down system by pressing and holding power button
 1. Reload system by software
 2. Power down system by software
- [1-2]?

The **shutdown poweroff** command closes all applications and the operating system, stops all system activities, and turn off the power. The fans stop running and the power LED starts flashing, indicating that the device has been powered off.

**Note**

If you use the **shutdown** or **shutdown poweroff** commands, the device does not perform a file system check when you power on and boot the device the next time.

Table 3-130 describes the shutdown-only operation and the shutdown poweroff operation for a WAAS device.

Table 3-130 Description of the shutdown Command Operations

Activity	Process
User performs a shutdown operation on the WAE	Shutdown poweroff WAE# shutdown poweroff
User intervention to bring WAE back online	After a shutdown poweroff, you must press the power button once to bring the WAAS device back online.
File system check	Is <i>not</i> performed after you turn the power on again and reboot the WAAS device.

You can enter the **shutdown EXEC** command from a console session or from a remote session (Telnet or SSH version 1 or SSH version 2) to perform shutdown on a WAAS device.

To perform a shutdown on a WAAS device, enter the **shutdown EXEC** command as follows:

```
WAE# shutdown
```

When you are asked if you want to save the system configuration, enter **yes**.

```
System configuration has been modified. Save?[yes]:yes
```

When you are asked if you want to proceed with the shutdown, press **Enter** to proceed with the shutdown operation.

```
Device can not be powered on again through software after shutdown.
Proceed with shutdown?[confirm]
```

A message appears, reporting that all services are being shut down on this WAE.

```
Shutting down all services, will timeout in 15 minutes.
shutdown in progress ..System halted.
```

After the system is shut down (the system has halted), a WAAS software shutdown shell displays the current state of the system (for example, “System has been shut down”) on the console. You are asked whether you want to perform a software power off (the **Power down system by software** option), or if you want to reload the system through the software.

```
===== SHUTDOWN SHELL =====
System has been shut down.
You can either
    Power down system by pressing and holding power button
or
1. Reload system through software
2. Power down system through software
```

To power down the WAAS device, press and hold the power button on the WAAS device, or use one of the following methods to perform a shutdown poweroff:

- From the console command line, enter **2** when prompted, as follows:

```
===== SHUTDOWN SHELL =====
System has been shut down.
You can either
    Power down system by pressing and holding power button
or
1. Reload system through software
2. Power down system through software
```

- From the WAAS CLI, enter the **shutdown poweroff EXEC** command as follows:

```
WAE# shutdown poweroff
```

When you are asked if you want to save the system configuration, enter **yes**.

```
System configuration has been modified. Save?[yes]:yes
```

When you are asked to confirm your decision, press **Enter**.

```
Device can not be powered on again through software after poweroff.
Proceed with poweroff?[confirm]
Shutting down all services, will timeout in 15 minutes.
poweroff in progress ..Power down.
```

Examples

The following example shows how to close all applications and stop all system activities using the **shutdown** command:

```
WAE1# shutdown
System configuration has been modified. Save?[yes]:yes
Device can not be powered on again through software after shutdown.
Proceed with shutdown?[confirm]
Shutting down all services, will timeout in 15 minutes.
shutdown in progress ..System halted.
```

The following example shows how to close all applications, stop all system activities, and then turn off power to the WAAS device using the **shutdown poweroff** command:

```
WAE2# shutdown poweroff
System configuration has been modified. Save?[yes]:yes
Device can not be powered on again through software after poweroff.
Proceed with poweroff?[confirm]
Shutting down all services, will timeout in 15 minutes.
poweroff in progress ..Power down.
```

snmp trigger

To configure thresholds for a user-selected MIB object for monitoring purposes on a WAAS device, use the **snmp trigger EXEC** command.

```
snmp trigger {create mibvar [wildcard] [wait-time [
absent [LINE | mibvar1 mibvar1] [LINE | mibvar2 mibvar2] [LINE | mibvar3 mibvar3]
[LINE] |
equal [absolute value [[LINE | mibvar1 mibvar1] [LINE | mibvar2 mibvar2] [LINE | mibvar3
mibvar3] [LINE] | delta value [LINE | mibvar1 mibvar1] [LINE | mibvar2 mibvar2]
[LINE | mibvar3 mibvar3] [LINE]] |
falling [absolute value [LINE | mibvar1 mibvar1] [LINE | mibvar2 mibvar2] [LINE | mibvar3
mibvar3] [LINE] | delta value [LINE | mibvar1 mibvar1] [LINE | mibvar2 mibvar2]
[LINE | mibvar3 mibvar3] [LINE]] |
greater-than [absolute value [LINE | mibvar1 mibvar1] [LINE | mibvar2 mibvar2]
[LINE | mibvar3 mibvar3] [LINE] | delta value [LINE | mibvar1 mibvar1]
[LINE | mibvar2 mibvar2] [LINE | mibvar3 mibvar3] [LINE]] |
less-than [absolute value [LINE | mibvar1 mibvar1] [LINE | mibvar2 mibvar2]
[LINE | mibvar3 mibvar3] [LINE] | delta value [LINE | mibvar1 mibvar1] [LINE | mibvar2
mibvar2] [LINE | mibvar3 mibvar3] [LINE]] |
on-change [[LINE | mibvar1 mibvar1][LINE | mibvar2 mibvar2] [LINE | mibvar3 mibvar3]
[LINE]] |
present [LINE | mibvar1 mibvar1] [LINE | mibvar2 mibvar2] [LINE | mibvar3 mibvar3]
[LINE] |
rising [absolute value [LINE | mibvar1 mibvar1] [LINE | mibvar2 mibvar2]
[LINE | mibvar3 mibvar3] [LINE] | delta value [LINE | mibvar1 mibvar1]
[LINE | mibvar2 mibvar2] [LINE | mibvar3 mibvar3] [LINE]]]]}

snmp trigger delete mibvar
```

Syntax Description

create <i>mibvar</i>	Configures a threshold for a MIB object. Specifies the name of the MIB object that you want to monitor or the MIB object for which you want to remove a monitoring threshold.
wildcard	(Optional) Treats the specified MIB variable name as having a wildcard.
<i>wait-time</i>	(Optional) Number of seconds, 60–600, to wait between trigger samples.
absent	(Optional) Applies the absent existence test.
<i>LINE</i>	(Optional) Description of the threshold being created.
mibvar1 <i>mibvar1</i>	(Optional) Adds a MIB object to the notification.
mibvar2 <i>mibvar2</i>	(Optional) Adds a MIB object to the notification.
mibvar3 <i>mibvar3</i>	(Optional) Adds a MIB object to the notification.
equal	Applies the equality threshold test.
absolute <i>value</i>	(Optional) Specifies an absolute value sample type.

delta value	Specifies a delta sample type.
falling	Applies the falling threshold test.
greater-than	Applies the greater-than threshold test.
less-than	Applies the less-than threshold test.
on-change	Applies the changed existence test.
present	Applies the present test.
rising	Applies the rising threshold test.
delete	Removes a threshold for a MIB object.

Defaults

No default behavior or values.

Command Modes

EXEC

Device Modes

application-accelerator
central-manager

Usage Guidelines

Using the **snmp trigger** EXEC command, you can define additional SNMP traps for other MIB objects of interest to your particular configuration. You can select any MIB object from any of the support MIBs for your trap. The trap can be triggered based on a variety of tests:

- **absent**—A specified MIB object that was present at the last sampling is no longer present as of the current sampling.
- **equal**—The value of the specified MIB object is equal to the specified threshold.
- **falling**—The value of the specified MIB object has fallen below the specified threshold value. After a trap is generated against this condition, another trap for this same condition is not generated until the sampled MIB object value rises above the threshold value and then falls below the falling threshold value again.
- **greater-than**—The value of the specified MIB object is greater than the specified threshold value.
- **less-than**—The value of the specified MIB object is less than the specified threshold value.
- **on-change**—The value of the specified MIB object has changed since the last sampling.
- **present**—A specified MIB object is present as of the current sampling that was not present at the previous sampling.
- **rising**—The value of the specified MIB object has risen above the specified threshold. After a trap is generated against this condition, another trap for this same condition is not generated until the sampled MIB object value falls below the threshold value and then rises above the rising threshold value again.

The threshold value can be based on an *absolute* sample type or on a *delta* sample type. An absolute sample type is one in which the test is evaluated against a fixed integer value between zero and 4294967295. A delta sample type is one in which the test is evaluated against the change in the MIB object value between the current sampling and the previous sampling.

After you configure SNMP traps, you must use the **snmp-server enable traps event** global configuration command for the event traps you just created to be generated. Also, to preserve SNMP trap configuration across a system reboot, you must configure event persistence using the **snmp-server mib persist event** global configuration command, and save the MIB data using the **write mib-data EXEC** command.

Examples

The following example shows how to create a threshold for the MIB object *esConTabIsConnected* so that a trap is sent when the connection from the Edge WAE to the Core WAE is lost:

```
WAE# snmp trigger create esConTabIsConnected ?
  <60-600> The number of seconds to wait between trigger sample
  wildcard Option to treat the MIB variable as wildcarded
WAE# snmp trigger create esConTabIsConnected wildcard 600 ?
  absent          Absent existence test
  equal           Equality threshold test
  falling         Falling threshold test
  greater-than    Greater-than threshold test
  less-than       Less-than threshold test
  on-change       Changed existence test
  present         Present present test
  rising          Rising threshold test
WAE# snmp trigger create esConTabIsConnected wildcard 600 falling ?
  absolute Absolute sample type
  delta         Delta sample type
WAE# snmp trigger create esConTabIsConnected wildcard 600 falling absolute ?
  <0-4294967295> Falling threshold value
WAE# snmp trigger create esConTabIsConnected wildcard 600 falling absolute 1 ?
  LINE          Trigger-comment
  mibvar1       Optional mib object to add to the notification
WAE# snmp trigger create esConTabIsConnected wildcard 600 falling absolute 1 "Lost the
connection with the core server."
WAE# configure
WAE(config)# snmp-server enable traps event
```

Once you have configured the WAE to send SNMP traps, you can view the results of these newly created traps using the **show snmp events EXEC** command.

You can also delete user-created SNMP traps. The following example shows how to delete the trap set for *esConTabIsConnected* that we created in the previous example.

```
WAE# snmp trigger delete esConTabIsConnected
```

Related Commands

- [show snmp](#)
- [\(config\) snmp-server community](#)
- [\(config\) snmp-server contact](#)
- [\(config\) snmp-server enable traps](#)
- [\(config\) snmp-server group](#)
- [\(config\) snmp-server host](#)
- [\(config\) snmp-server location](#)
- [\(config\) snmp-server mib](#)
- [\(config\) snmp-server notify inform](#)


```
(config) snmp-server user  
(config) snmp-server view  
write
```

ssh

To allow secure encrypted communications between an untrusted client machine and a WAAS device over an insecure network, use the **ssh** EXEC command.

ssh *options*

Syntax Description

options

Options to use with the **ssh** EXEC command. For more information about the possible options, see RFC 4254 at <http://www.rfc-archive.org/getrfc.php?rfc=4254>.

Defaults

By default, the Secure Shell (SSH) feature is disabled on a WAAS device.

Command Modes

EXEC

Device Modes

application-accelerator
central-manager

Usage Guidelines

SSH consists of a server and a client program. Like Telnet, you can use the client program to remotely log in to a machine that is running the SSH server, but unlike Telnet, messages transported between the client and the server are encrypted. The functionality of SSH includes user authentication, message encryption, and message authentication.



Note

The Telnet daemon can still be used with the WAAS device. SSH does not replace Telnet.

Related Commands

(config) [sshd](#)
(config) [ssh-key-generate](#)

tcpdump

To dump network traffic, use the **tcpdump** EXEC command.

tcpdump [*LINE*]

Syntax Description	<i>LINE</i> (Optional) Dump options. For more information see the “Usage Guidelines” section.
---------------------------	---

Defaults No default behavior or values.

Command Modes EXEC

Device Modes application-accelerator
central-manager

Usage Guidelines TCPdump is a utility that allows a user to intercept and capture packets passing through a network interface, making it useful for troubleshooting network applications.

During normal network operation, only the packets which are addressed to a network interface are intercepted and passed on to the upper layers of the TCP/IP protocol layer stack. Packets which are not addressed to the interface are ignored. In Promiscuous mode, the packets which are not intended to be received by the interface are also intercepted and passed on to the higher levels of the protocol stack. TCPdump works by putting the network interface into promiscuous mode. TCPdump uses the free libpcap (packet capture library).

Use the *-h* option to view the options available, as shown in the following example:

```
WAE# tcpdump -h
tcpdump version 3.8.1 (jlemon)
libpcap version 0.8
Usage: tcpdump [-aAdDeflLnNOpqRStuUvxxX] [-c count] [ -C file_size ]
               [ -E algo:secret ] [ -F file ] [ -i interface ] [ -r file ]
               [ -s snaplen ] [ -T type ] [ -w file ] [ -y datalinktype ]
               [ expression ]
```

Examples The following example shows how to start a network traffic dump to a file named *tcpdump.txt*:

```
WAE# tcpdump -w tcpdump.txt
```

Related Commands [less](#)
[ping](#)
[tethereal](#)

traceroute

telnet

To log in to a WAAS device using the Telnet client, use the **telnet** EXEC command.

```
telnet {hostname | ip-address} [portnum]
```

Syntax Description	hostname	Hostname of the network device.
	ip-address	IP address of the network device.
	portnum	(Optional) Port number (1–65535). Default port number is 23.

Defaults The default port number is 23.

Command Modes EXEC

Device Modes application-accelerator
central-manager

Usage Guidelines UNIX shell functions such as escape and the **suspend** command are not available in the Telnet client. Multiple Telnet sessions are also not supported. This Telnet client allows you to specify a destination port.

Examples The following example shows how to log in to a WAAS device using the Telnet client in several ways:

```
WAE# telnet cisco-wae
WAE# telnet 10.168.155.224
WAE# telnet cisco-wae 2048
WAE# telnet 10.168.155.224 2048
```

Related Commands (config) telnet enable

terminal

To set the number of lines displayed in the console window, or to display the current console **debug** command output, use the **terminal EXEC** command.

```
terminal {length length | monitor [disable]}
```

Syntax Description	length <i>length</i>	monitor	disable
	Sets the length of the display on the terminal (0–512). Setting the length to 0 means there is no pausing.	Copies the debug output to the current terminal.	(Optional) Disables monitoring at this specified terminal.

Defaults The default is 24 lines.

Command Modes EXEC

Device Modes application-accelerator
central-manager

Usage Guidelines When 0 is entered as the *length* parameter, the output to the screen does not pause. For all nonzero values of *length*, the -More- prompt is displayed when the number of output lines matches the specified *length* number. The -More- prompt is considered a line of output. To view the next screen, press the **Spacebar**. To view one line at a time, press the **Enter** key.

The **terminal monitor** command allows a Telnet session to display the output of the **debug** commands that appear on the console. Monitoring continues until the Telnet session is terminated.

Examples The following example shows how to set the number of lines to display to 20:

```
WAE# terminal length 20
```

The following example shows how to configure the terminal for no pausing:

```
WAE# terminal length 0
```

Related Commands All **show** commands.

test

To perform diagnostic tests and display the results, use the **test EXEC** command.

```
test self-diagnostic [system | basic | connectivity | interfaces | application-security | tfo | wccp | inline | wafs ] | all
```

Syntax	Description
self-diagnostic	Performs self-diagnostics tests.
system	(Optional) Checks the device status, presence of core files, and alarms.
basic	(Optional) Checks the device network configuration.
connectivity	(Optional) Checks if the external hosts required for device operation are reachable by sending ICMP ping packets.
interfaces	(Optional) Checks the operation of physical interfaces, including ports on the Cisco WAE Inline Network Adapter.
application-security	(Optional) Checks for potentially malicious (XSS) entries.
tfo	(Optional) Checks the traffic optimization configuration settings and operation. (Applies only to application accelerator devices.)
wccp	(Optional) Checks the WCCP configuration settings and operation. (Applies only to application accelerator devices.)
inline	(Optional) Checks the inline group configuration settings and operation. (Applies only to application accelerator devices that have the Cisco WAE Inline Network Adapter installed.)
wafs	(Optional) Checks the WAFS configuration settings and operation. (Applies only to application accelerator devices.)
all	(Optional) Runs all of the diagnostic tests.

Defaults No default behavior or values.

Command Modes EXEC mode

Device Modes application-accelerator
central-manager

Usage Guidelines If you use the **test self-diagnostic** command with the **all** option, all applicable tests are performed. You can specify one or more test options to perform just those tests.

The last diagnostic test report is stored on the device in the following file: /local1/diagnostic_report.txt.

Examples The following example shows how to perform the basic, connectivity, interfaces, and WCCP tests:

```
WAE# test self-diagnostic basic connectivity interfaces wccp
```

Table 3-131 describes the error messages that can be returned by the **test self-diagnostics** command.

Table 3-131 Error Codes Returned by the test self-diagnostics Command

Test	Error Code	Description
system	HAS_COREDUMP	Core files are present.
	HAS_ALARM	Critical or major alarms are pending.
basic	NO_PRIM_IFACE	The primary interface is not configured.
	NO_PRIM_ADDR	The primary interface has no IP address configured.
	NO_HOSTNAME	The hostname is not configured.
	NO_NAMESERVER	The name servers are not configured.
	NO_DOMAIN	The domain name is not configured.
	NO_DEFAULT_GW	The default gateway is not configured.
	NO_CM_ADDR	The WAAS Central Manager IP address is not configured.
	NO_NTP_CFG	The NTP server is not configured.
connectivity	UNREACHABLE	The default gateway, name servers, NTP servers, authentication servers (RADIUS, TACACS, or Windows domain), or WAAS Central Manager are unreachable.
	UNRESOLVABLE	The fully qualified domain name of the device cannot be resolved.
	WINS_UNAVAILABLE	The WINS server is unreachable or not operational and cannot resolve the device netbios name.
interfaces	IFACE_DOWN	The interface is in shutdown mode. If all interfaces are shut down, the test will fail.
	IFACE_BW	The interface is configured or negotiated to use 10-MB speed instead of a faster speed.
	IFACE_HD	The interface is configured or negotiated to use half duplex instead of full duplex.
	IFACE_ERRORS	The interface has packet errors on more than 1 percent of received or sent packets.
	IFACE_COLLISIONS	The interface has packet collisions on more than 1 percent of sent packets.
tfo	TFO_DISABLED	TFO is disabled.
	TFO_NO_DRE	DRE is disabled.
	TFO_NO_LZ	Compression is disabled.
	TFO_NOAOACCL	An application accelerator in the policy engine is not enabled to accelerate traffic.
	PE_OTHER	Unclassified traffic is configured to pass through.
	TFO_NOPT	Traffic that is configured to be optimized is being passed through.
wccp	NO_RTRCFG	WCCP is enabled but TCP promiscuous mode is not configured.
	NO_RTRLIST	The router list specified in WCCP configuration is not configured.
	UNREACHABLE	Configured WCCP routers are unreachable or other WAEs in the WCCP farm are unreachable.
	NO_WCCP_RTRS	The WAE and WCCP routers cannot communicate with each other.
	NO_INTERCEPT	The WAE is not receiving intercepted traffic.

Table 3-131 Error Codes Returned by the test self-diagnostics Command (continued)

Test	Error Code	Description
inline	INLINE_NO_INT	Traffic interception is not configured on the inlineGroup interface.
	INLINE_SHUTDOWN	The inlineGroup interface is shut down.
	INLINE_BYPASS	The inlineGroup interface is in bypass mode.
	INLINE_INTRCPT	The inlineGroup interface is not intercepting traffic.
wafs	NO_CONNECTIVITY	The edge and core WAEs do not have connectivity defined or the peer devices are unreachable.
	UNREACHABLE	The WAFS connectivity peers are unreachable.
	NO_WAFS_CONN	The WAFS transport is not established.

tethereal

To analyze network traffic from the command line, use the **tethereal** EXEC command.

tethereal [*LINE*]

Syntax Description	<i>LINE</i> (Optional) Options. For more information see the “Usage Guidelines” and “Examples” sections.
---------------------------	--

Defaults	No default behavior values.
-----------------	-----------------------------

Command Modes	EXEC
----------------------	------

Device Modes	application-accelerator central-manager
---------------------	--

Usage Guidelines	Tethereal is the command-line version of the network traffic analyzer tool Ethereal. Like TCPdump, it also uses the packet capture library (libpcap). Aside from network traffic analysis, Tethereal also provides facilities for decoding packets.
-------------------------	---

When using the **-a** option to print heavy traffic to the screen, it can take significantly longer than the autostop duration to display the information on the screen. Wait for the command to finish. Displaying output to the console can take significantly longer than through telnet or SSH, therefore console display is not recommended.

When using the **-f** option with the host or not host filter expression, the wrong traffic may be captured with WCCP GRE encapsulated or VLAN traffic. With WCCP GRE traffic, tethereal sees only the outermost IP address, not the original IP address inside the encapsulated packets. Add the **proto 47** keyword into the **-f** filter expression to capture the correct traffic (protocol 47 is GRE traffic). Additionally, for VLAN traffic, add the **vlan** keyword into the **-f** filter expression so that VLAN traffic is parsed correctly.

When using the **-a** filesize option together with the **-R** option, tethereal may stop unexpectedly and print the message "Memory limit is reached" before reaching the specified autostop file size. In this case, the maximum memory limit for the command was reached before the autostop file size limit.

Examples	The following example shows how to display the options available with the WAAS tethereal command:
-----------------	--

```
WAE# tethereal -h
tethereal: Setting virtual memory limit to 209715200
TShark 1.0.0
Dump and analyze network traffic.
See http://www.wireshark.org for more information.
```

```
Copyright 1998-2008 Gerald Combs <gerald@wireshark.org> and contributors.
This is free software; see the source for copying conditions. There is NO
warranty; not even for MERCHANTABILITY or FITNESS FOR A PARTICULAR PURPOSE.
```

```

Usage: tshark [options] ...

Capture interface:
  -i <interface>          name or idx of interface (def: first non-loopback)
  -f <capture filter>     packet filter in libpcap filter syntax
  -s <snaplen>            packet snapshot length (def: 65535)
  -p                      don't capture in promiscuous mode
  -y <link type>          link layer type (def: first appropriate)
  -D                      print list of interfaces and exit
  -L                      print list of link-layer types of iface and exit

Capture stop conditions:
  -c <packet count>       stop after n packets (def: infinite)
  -a <autostop cond.> ... duration:NUM - stop after NUM seconds
                        filesize:NUM - stop this file after NUM KB
                        files:NUM - stop after NUM files

Capture output:
  -b <ringbuffer opt.> ... duration:NUM - switch to next file after NUM secs
                        filesize:NUM - switch to next file after NUM KB
                        files:NUM - ringbuffer: replace after NUM files

Input file:
  -r <infile>             set the filename to read from (no pipes or stdin!)

Processing:
  -R <read filter>        packet filter in Wireshark display filter syntax
  -n                      disable all name resolutions (def: all enabled)
  -N <name resolve flags> enable specific name resolution(s): "mntC"
  -d <layer_type>===<selector>,<decode_as_protocol> ...
                        "Decode As", see the man page for details
                        Example: tcp.port==8888,http

Output:
  -w <outfile|->          set the output filename (or '-' for stdout)
  -C <config profile>     start with specified configuration profile
  -F <output file type>   set the output file type, default is libpcap
                        an empty "-F" option will list the file types
  -V                      add output of packet tree (Packet Details)
  -S                      display packets even when writing to a file
  -x                      add output of hex and ASCII dump (Packet Bytes)
  -T pdml|ps|psml|text|fields
                        format of text output (def: text)
  -e <field>              field to print if -Tfields selected (e.g. tcp.port);
                        this option can be repeated to print multiple fields
  -E<fieldsoption>=<value> set options for output when -Tfields selected:
    header=y|n            switch headers on and off
    separator=/t|/s|<char> select tab, space, printable character as separator
    quote=d|s|n          select double, single, no quotes for values
  -t ad|a|r|d|dd|e       output format of time stamps (def: r: rel. to first)
  -l                      flush standard output after each packet
  -q                      be more quiet on stdout (e.g. when using statistics)
  -X <key>:<value>        eXtension options, see the man page for details
  -z <statistics>       various statistics, see the man page for details

Miscellaneous:
  -h                      display this help and exit
  -v                      display version info and exit
  -o <name>:<value> ...  override preference setting

```

Related Commands [tcpdump](#)

top

To view the current top CPU activities, use the **top** EXEC command.

```
top -hv | -cisS -d delay -n iterations [-u user | -U user] -p pid [,pid ...]
```

Syntax Description		
-h	(Optional)	Print help information and exit.
-v	(Optional)	Print version information and exit.
-c	(Optional)	Display the command line instead of the command name only.
-i	(Optional)	Suppress display of any idle or zombie processes.
-s	(Optional)	Tells top to run in secure mode. This option disables the potentially dangerous interactive commands.
-S	(Optional)	Specifies cumulative mode, where each process is listed with the CPU time it has spent. It also lists the CPU time of the dead children for each process.
-d delay	(Optional)	Specifies the delay between screen updates.
-n iterations	(Optional)	Number of iterations. Update the display this number of times and then exit.
-u user	(Optional)	Monitor only processes with the specified effective UID or username.
-p pid	(Optional)	Monitors only those processes with the given process id. This option can be given up to twenty times. This option is not available interactively.

Defaults No default behavior or values.

Command Modes EXEC

Device Modes application-accelerator
central-manager

Usage Guidelines The **top** command is a system-defined alias for the Linux **top** command, which displays and updates information about the top CPU processes. It provides a real-time view of the processor activity. It lists the most CPU-intensive tasks on the system, and provides an interactive interface for manipulating processes. It can sort the tasks by CPU usage, memory usage, and runtime.

The command runs in an interactive environment and you can interact with the output by pressing various keys. Press h or ? to display the following help for interactive commands:

```
Help for Interactive Commands - procps version 3.2.5
Window 1:Def: Cumulative mode Off. System: Delay 3.0 secs; Secure mode Off.
```

```
Z,B      Global: 'Z' change color mappings; 'B' disable/enable bold
l,t,m    Toggle Summaries: 'l' load avg; 't' task/cpu stats; 'm' mem info
```

```

1,I      Toggle SMP view: '1' single/separate states; 'I' Irix/Solaris mode

f,o      . Fields/Columns: 'f' add or remove; 'o' change display order
F or O   . Select sort field
<,>     . Move sort field: '<' next col left; '>' next col right
R        . Toggle normal/reverse sort
c,i,S    . Toggle: 'c' cmd name/line; 'i' idle tasks; 'S' cumulative time
x,y      . Toggle highlights: 'x' sort field; 'y' running tasks
z,b      . Toggle: 'z' color/mono; 'b' bold/reverse (only if 'x' or 'y')
u        . Show specific user only
n or #   . Set maximum tasks displayed

k,r      Manipulate tasks: 'k' kill; 'r' renice
d or s   Set update interval
W        Write configuration file
q        Quit
          ( commands shown with '.' require a visible task display window )
Press 'h' or '?' for help with Windows,
any other key to continue

```

Examples

The following example shows how to display the options available with the WAAS **top** command:

```

WAE# top -h
top: procps version 3.2.5
usage: top -hv | -bcisS -d delay -n iterations [-u user | -U user] -p pid [,pid ...]

```

**Note**

The **-b** option is not supported.

The following example shows an example of the interactive command output:

```

WAE# top
top - 17:54:02 up 9 days, 6:09, 1 user, load average: 0.05, 0.17, 0.19
Tasks: 992 total, 1 running, 991 sleeping, 0 stopped, 0 zombie
Cpu(s): 0.7% us, 2.3% sy, 4.0% ni, 91.1% id, 1.7% wa, 0.0% hi, 0.3% si
Mem: 1939124k total, 1528440k used, 410684k free, 159720k buffers
Swap: 2037624k total, 812k used, 2036812k free, 554824k cached

  PID USER      PR  NI  VIRT  RES  SHR S %CPU %MEM    TIME+  COMMAND
28359 admin    20   0  2544 1584  808 R  1.3  0.1   0:00.29 top
 7694 admin    30  10 1448m 105m  15m S  0.7  5.6  19:33.74 java
 9312 admin    30  10  494m 173m  20m S  0.7  9.2   2:47.23 java
 6950 admin    30  10  684m 204m 4876 S  0.3 10.8  28:31.64 so_dre
 7702 admin    30  10  955m 121m  18m S  0.3  6.4   3:07.97 java
 8782 admin    30  10 1448m 105m  15m S  0.3  5.6   3:32.04 java
 8802 admin    30  10 1448m 105m  15m S  0.3  5.6   0:49.17 java
    1 admin    20   0  1488  540  468 S  0.0  0.0   0:06.78 init
    2 admin    15  -5     0   0     0 S  0.0  0.0   0:00.00 kthreadd
    3 admin    RT  -5     0   0     0 S  0.0  0.0   0:00.00 migration/0
    4 admin    15  -5     0   0     0 S  0.0  0.0   0:09.07 ksoftirqd/0
    5 admin    RT  -5     0   0     0 S  0.0  0.0   0:00.00 watchdog/0

```

Related Commands

[show processes](#)

tracert

To trace the route between a WAAS device to a remote host, use the **tracert** EXEC command.

```
tracert {hostname | ip-address}
```

Syntax Description	
<i>hostname</i>	Name of remote host.
<i>ip-address</i>	IP address of remote host.

Defaults No default behavior or values.

Command Modes EXEC

Device Modes application-accelerator
central-manager

Usage Guidelines Tracert is a widely available utility on most operating systems. Much like ping, it is a valuable tool for determining connectivity in a network. Ping allows the user to find out if there is a connection between two end systems. Tracert does this as well, but also lists the intermediate routers between the two systems. Users can therefore see the possible routes packets can take from one system to another. Use **tracert** to find the route to a remote host, when either the hostname or the IP address is known.

Examples The following example shows how to trace the route between the WAAS device and a device with an IP address of 10.0.0.0:

```
WAE# tracert 10.0.0.0
tracert to 10.0.0.0 (10.0.0.0), 30 hops max, 38 byte packets
 1 sblab2-rtr.abc.com (192.168.10.1) 0.959 ms 0.678 ms 0.531 ms
 2 192.168.1.1 (192.168.1.1) 0.665 ms 0.576 ms 0.492 ms
 3 172.24.115.66 (172.24.115.66) 0.757 ms 0.734 ms 0.833 ms
 4 sjc20-sbb5-gw2.abc.com (192.168.180.93) 0.683 ms 0.644 ms 0.544 ms
 5 sjc20-rbb-gw5.abc.com (192.168.180.9) 0.588 ms 0.611 ms 0.569 ms
 6 sjce-rbb-gw1.abc.com (172.16.7.249) 0.746 ms 0.743 ms 0.737 ms
 7 sj-wall-2.abc.com (172.16.7.178) 1.505 ms 1.101 ms 0.802 ms
 8 * * *
 9 * * *
.
.
.
29 * * *
30 * * *
```

Related Commands [ping](#)

transaction-log

To force the exporting or the archiving of the transaction log, use the **transaction-log EXEC** command.

transaction-log force {archive | export} {flow | accelerator video windows-media}

Syntax Description		
archive		Forces the archiving of the transaction log file.
export		Forces the archived transaction log files to be exported.
flow		Forces the archiving or exporting of the Traffic Flow Optimization (TFO) transaction log file.
accelerator video windows-media		Forces the archiving or exporting of the video accelerator transaction log file.

Defaults No default behavior or values.

Command Modes EXEC

Device Modes application-accelerator

Examples The following example shows how to force the archiving of the TFO transaction log file on the WAE:

```
WAE# transaction-log force archive flow
```

The following example shows how to force the exporting of the video transaction file on the WAE:

```
WAE# transaction-log force export accelerator video windows-media
```

Related Commands [\(config\) transaction-logs](#)
[show transaction-logging](#)

type

To display a file, use the **type** EXEC command.

type *filename*

Syntax Description	<i>filename</i> Name of file.
Defaults	No default behavior or values.
Command Modes	EXEC
Device Modes	application-accelerator central-manager
Usage Guidelines	Use the type command to display the contents of a file within any file directory on a WAAS device. The type command may be used to monitor features such as transaction logging or system logging (syslog).
Examples	The following example shows how to display the contents of the <i>syslog.txt</i> file: WAE# type /local1/syslog.txt
Related Commands	cpfile dir lls ls pwd rename

type-tail

To view a specified number of lines of the end of a log file, to view the end of the file continuously as new lines are added to the file, to start at a particular line in the file, or to include or exclude specific lines in the file, use the **type-tail** EXEC command.

```
type-tail filename [line | follow | {begin LINE | exclude LINE | include LINE}]
```

Syntax Description	
<i>filename</i>	File to be examined.
<i>line</i>	(Optional) Number of lines from the end of the file to be displayed (1–65535).
follow	(Optional) Displays the end of the file continuously as new lines are added to the file.
 	(Optional) Displays contents of the file according to the begin , exclude , and include output modifiers.
begin <i>LINE</i>	Identifies the line at which to begin file display. Specifies a regular expression to match in the file.
exclude <i>LINE</i>	Indicates lines that are to be excluded from the file display. Specifies a regular expression to match in the file.
include <i>LINE</i>	Indicates lines that are to be included in the file display. Specifies a regular expression to match in the file.

Defaults The last ten lines are shown.

Command Modes EXEC

Device Modes application-accelerator
central-manager

Usage Guidelines The **type-tail** command allows you to monitor a log file by letting you view the end of the file. You can specify the number of lines at the end of the file that you want to view, or you can follow the last line of the file as it continues to log new information. To stop the last line from continuously scrolling as with the **follow** option, use the key sequence **Ctrl-C**.

You can further indicate the type of information to display using the output modifiers. These allow you to include or exclude specific lines or to indicate where to begin displaying the file.

Examples The following example shows how to look for a list of log files in the */local1* directory and then displays the last ten lines of the *syslog.txt* file. In this example, the number of lines to display is not specified, so the default of ten lines is used:

```
WAE# ls /local1
actona
core_dir
crash
```

```

dbupgrade.log
downgrade
errorlog
logs
lost+found
sa
service_logs
spool
syslog.txt
syslog.txt.1
syslog.txt.2
syslog.txt.3
syslog.txt.4
var
wdd.sh.signed

```

WAE# **type-tail /local1/syslog.txt**

```

Apr 17 00:21:09 edge-wae-11 java: %CE-CMS-4-700001: unable to get https
equest throughput stats(error 4)
Apr 17 00:21:09 edge-wae-11 java: %CE-CMS-4-700001: ds_getStruct got err
r : 4 for key stat/cache/ftp connection 5
Apr 17 00:21:09 edge-wae-11 java: %CE-CMS-4-700001: ds_getStruct: unable
to get `stat/cache/ftp' from dataserver
Apr 17 00:21:09 edge-wae-11 java: %CE-CMS-4-700001: unable to get ftp-ov
er-http request throughput stats(error 4)
Apr 17 00:21:09 edge-wae-11 java: %CE-CMS-4-700001: setValues getMethod
all ...
Apr 17 00:21:09 edge-wae-11 java: %CE-CMS-4-700001: setValues found...
Apr 17 00:21:48 edge-wae-11 java: %CE-CMS-4-700001: ds_getStruct got err
r : 4 for key stat/cache/http/perf/throughput/requests/sum connection 5
Apr 17 00:21:48 edge-wae-11java: %CE-CMS-4-700001: ds_getStruct: unable
to get `stat/cache/http/perf/throughput/requests/sum' from dataserver
Apr 17 00:21:48 edge-wae-11 java: %CE-CMS-4-700001: unable to get http r
quest throughput stats(error 4)
Apr 17 00:23:20 edge-wae-11 java: %CE-TBD-3-100000: WCCP_COND_ACCEPT: TU
LE DELETE conditional accept tuple {Source IP [port] = 0.0.0.0 [0] Destinati
o IP [port] = 32.60.43.2 [53775] }returned error: -1 errno 9

```

The following example shows how to follow the *syslog.txt* file as it grows:

WAE# **type-tail /local1/syslog.txt follow**

virtual-blade

To change the virtual blade CD-ROM, save or delete the memory state, reset, or start and stop a virtual blade, use the **virtual-blade EXEC** command.

```
virtual-blade [bladenumber] {cd {cd-rom | disk pathname | eject} | kill-save-state | reset | save | session [clear] | start [delay] | stop [timeout]}
```

Syntax Description		
<i>bladenumber</i>		Number of the virtual blade. Valid values depend on the hardware capabilities. If you do not specify a number, the command is applied to all virtual blades.
cd		Changes the virtual blade CD-ROM.
cd-rom		Uses the WAE CD-ROM drive.
disk <i>pathname</i>		Specifies a CD-ROM image file located on the WAE hard drive. This file is located in the <i>/local1/vbs</i> directory.
eject		Ejects the disk from the WAE CD-ROM drive.
kill-save-state		Deletes the saved virtual blade memory state.
reset		Resets the virtual blade immediately.
save		Saves the current memory state of the virtual blade.
session		Opens a telnet session to the remote host/port.
clear		(Optional) Cancels the telnet session to the remote host/port.
start		Starts the specified virtual blade.
<i>delay</i>		Specifies the startup delay for the virtual blade being started. Valid values are 1 through 60 seconds.
stop		Stops the specified virtual blade.
<i>timeout</i>		Specifies the shutdown timeout delay for the virtual blade being stopped. Valid values are 0 through 900 seconds. Specify 0 to force immediate shutdown of the virtual blade (not a clean shutdown).

Defaults No default behavior or values.

Command Modes EXEC

Device Modes application-accelerator

Usage Guidelines The **virtual-blade EXEC** command is used to execute general operations on a virtual blade. The **virtual-blade n cd** command changes the source of the virtual blade operating system image or ejects the CD. The **virtual-blade n save** command saves a snapshot of the current virtual blade memory state and saves it to */local1/vbs*. The **virtual-blade n kill-save-state** command deletes the memory snapshot.

The **virtual-blade *n* reset** command immediately resets the virtual blade operating system, similar to pressing the reset button on a real computer. Because this is not a clean shutdown, you are prompted to confirm this command.

The **virtual-blade *n* start** and **virtual-blade *n* stop** commands allow you to activate and deactivate the virtual blade. Each command has an optional delay.

When you use the **virtual-blade *n* stop** command, it sends a power down command to the virtual blade so that the guest OS can shut down cleanly. If the guest OS does not respond within the specified timeout, the virtual blade is not shut down. You may want to cleanly shut down the guest OS from the VNC console. You can specify a timeout of 0 to force an immediate unclean shutdown of the guest OS; you are also prompted to confirm this command.

Examples

The following example shows how to start virtual blade 1 immediately:

```
WAE# virtual-blade 1 start
```

The following example shows how to stop virtual blade 1 after a 3 minute timeout period:

```
WAE# virtual-blade 1 stop 180
```

The following example shows how to eject the CD in the WAE CD-ROM drive:

```
WAE# virtual-blade 1 cd eject
```

Related Commands

- [show virtual-blade](#)
- [\(config\) virtual-blade](#)
- [\(config-vb\) boot](#)
- [\(config-vb\) device](#)
- [\(config-vb\) disk](#)
- [\(config-vb\) interface](#)
- [\(config-vb\) memory](#)

wafs

To back up, restore, or create a system report about the legacy Wide Area File Services (WAFS)-related network configuration, plus the configurations of file servers, printers, users, and so forth, on a WAE, use the **wafs** EXEC command.

```
wafs { backup-config filename | restore-config filename |
sysreport [filename | date-range from_date end_date filename] }
```



Note

Executing the **wafs sysreport** command can temporarily impact the performance of your WAE.

Syntax Description

backup-config <i>filename</i>	Copies current WAFS-related configuration information to a file. Name of the file, in <i>xxx.tar.gz</i> format, where you want to save the WAFS configuration. This file is saved to the <i>/local/local1</i> directory.
restore-config <i>filename</i>	Loads saved WAFS-related configuration information from a file. Name of the file, in <i>xxx.tar.gz</i> format, where the desired WAFS configuration information has been stored. This file should be in the <i>/local/local1</i> directory.
sysreport	Deprecated; use copy sysreport .
date-range <i>from_date</i> <i>to_date</i> <i>filename</i>	(Optional) Displays the range of time that the system report is to cover. Specifies start date, end date, and name of the file, in <i>xxx.tar.gz</i> format, in which the system information is to be stored.

Defaults

No default behavior or values.

Command Modes

EXEC

Device Modes

application-accelerator

Usage Guidelines

CIFS legacy mode is deprecated and no longer supported in WAAS 4.2.x and later. We recommend using the CIFS accelerator instead (see the [\(config\) accelerator cifs](#) command).

The **wafs backup-config** EXEC command is used when back up of basic network configuration is not sufficient (performed using the **copy running-config** command), for example, when you want to back up system configurations before making any changes using the WAAS CLI global configuration mode and you want to protect the current configuration from loss of data by erroneous operations.

The **wafs restore-config** automatically performs a reload function. We strongly recommend that you re-register your WAE on completion of this command.

This **wafs** command is also useful when backup and system restoration, or generation of a system report, are not available from the WAAS Central Manager GUI.

Examples

The following example shows how to create a backup file of the WAFS configuration information:

```
WAE# wafs ?
  backup-config  backup system configurations to a file.
  restore-config restore system configurations from a file. WARNING: After
                  restoring configuration, the system needs to be restarted and
                  re-registered.
  sysreport      system report to a file
```

```
WAE# wafs backup-config backup.tar.gz
      system configuration is stored in file /local/local1/backup.tar.gz
```

The following example shows how to restore a system with previously saved WAAS configuration information:

```
WAE# wafs restore-config backup.tar.gz
Restoring configurations ...
After upload is completed the File Engine will be reloaded. We strongly recommend you
re-register after the engine is reloaded.
```

Related Commands

[copy running-config](#)

whoami

To display the username of the current user, use the **whoami** EXEC command.

whoami

Syntax Description This command has no arguments or keywords.

Defaults No default behavior or values.

Command Modes EXEC

Device Modes application-accelerator
central-manager

Usage Guidelines Use the **whoami** command to display the username of the current user.

Examples The following example shows how to display your username:

```
WAE# whoami  
admin
```

Related Commands [pwd](#)

windows-domain

To access the Windows domain utilities on a WAAS device, use the **windows-domain EXEC** command.

windows-domain diagnostics { **findsmb** | **getent** | **net** | **nmblookup** | **smbclient** | **smbstatus** | **smbtree** | **tdbbackup** | **tdbdump** | **testparm** | **wbinfo** }

Syntax	Description
diagnostics	Enables selection of Windows domain diagnostic utilities.
findsmb	Displays the utility for troubleshooting NetBIOS name resolution and browsing.
getent	Displays the utility to get unified list of both local and PDC users and groups.
net	Displays the utility for administration of remote CIFS servers.
nmblookup	Displays the utility for troubleshooting NetBIOS name resolution and browsing.
smbclient	Displays the utility for troubleshooting the Windows environment and integration.
smbstatus	Displays the utility for inspecting the Samba server status, connected clients, and so on.
smbtree	Displays the utility for inspecting the Windows network neighborhood structure and content.
tdbbackup	Displays the utility for backing up, verifying and restoring Samba database files.
tdbdump	Displays the utility for inspecting the Samba database files.
testparm	Displays the utility to validate <i>smb.conf</i> file correctness.
wbinfo	Displays the utility for Winbind and domain integration troubleshooting.

Defaults No default behavior or values.

Command Modes EXEC

Device Modes application-accelerator
central-manager

Usage Guidelines Use the **windows-domain** command to activate the selected Windows domain diagnostic utility.

Examples The following example shows how to display the options available for the Get Entity utility:

```
WAE# windows-domain diagnostics getent --help
Usage: getent [OPTION...] database [key ...]
getent - get entries from administrative database.
```



```

-s, --service=CONFIG      Service configuration to be used
-?, --help                Give this help list
    --usage                Give a short usage message
-V, --version              Print program version

```

Mandatory or optional arguments to long options are also mandatory or optional for any corresponding short options.

Supported databases:

```

aliases ethers group hosts netgroup networks passwd protocols rpc
services shadow

```

The following example shows how to display the options available for the NMB Lookup Utility for troubleshooting NetBIOS name resolution and browsing:

```

WAE# windows-domain diagnostics nmblookup -h
Usage: [-?TV] [--usage] [-B BROADCAST-ADDRESS] [-f VAL] [-U STRING] [-M VAL]
      [-R VAL] [-S VAL] [-r VAL] [-A VAL] [-d DEBUGLEVEL] [-s CONFIGFILE]
      [-l LOGFILEBASE] [-O SOCKETOPTIONS] [-n NETBIOSNAME] [-W WORKGROUP]
      [-i SCOPE] <NODE> ...

```

The following example shows how to display the options available for the Samba Client Utility for troubleshooting the Windows environment and integration:

```

WAE# windows-domain diagnostics smbclient -h
Usage: [-?EgVNkP] [--usage] [-R NAME-RESOLVE-ORDER] [-M HOST] [-I IP] [-L HOST]
      [-t CODE] [-m LEVEL] [-T <c|x>IXFqgbNan] [-D DIR] [-c STRING] [-b BYTES]
      [-p PORT] [-d DEBUGLEVEL] [-s CONFIGFILE] [-l LOGFILEBASE]
      [-O SOCKETOPTIONS] [-n NETBIOSNAME] [-W WORKGROUP] [-i SCOPE]
      [-U USERNAME] [-A FILE] [-S on|off|required] service <password>

```

The following example shows how to display the options available for the TDB Backup Utility:

```

WAE# windows-domain diagnostics tdbbackup -h
Usage: tdbbackup [options] <fname...>

-h          this help message
-s suffix   set the backup suffix
-v          verify mode (restore if corrupt)

```

The following example shows how to use the -u option of the WinBind Utility to view the information about a user registered in a Windows domain:

```

WAE# windows-domain diagnostics wbinform -u
administrator
guest
user98
tuser1

```

```

WAE# show user username user98
Uid          : 70012
Username     : user98
Password     : *****
Privilege    : super user
Configured in : Windows Domain database

```

```

WAE# show user uid 70012
Uid          : 70012
Username     : user98
Password     : *****
Privilege    : super user
Configured in : Windows Domain database

```

The following example shows how to register a Windows domain:

```
WAE# windows-domain diagnostics
      net join -S<domain server> -U<domain admin username>%<domain admin password>
```

Related Commands [\(config\) windows-domain](#)

write

To save startup configurations on a WAAS device, use the **write EXEC** command.

write [**erase** | **memory** | **mib-data** | **terminal**]

Syntax Description		
erase	(Optional)	Erases startup configuration from NVRAM.
memory	(Optional)	Writes the configuration to NVRAM. This is the default location for saving startup information.
mib-data	(Optional)	Saves MIB persistent configuration data to disk.
terminal	(Optional)	Writes the configuration to a terminal session.

Defaults The configuration is written to NVRAM by default.

Command Modes EXEC

Device Modes application-accelerator
central-manager

Usage Guidelines Use the **write** command to either save running configurations to NVRAM or to erase memory configurations. Following a **write erase** command, no configuration is held in memory, and a prompt for configuration specifics occurs after you reboot the WAAS device.

Use the **write terminal** command to display the current running configuration in the terminal session window. The equivalent command is **show running-config**.

Examples The following example shows how to save the current startup configuration to memory:

```
WAE# write memory
```

Related Commands [copy running-config](#)
[copy startup-config](#)
[show running-config](#)
[show startup-config](#)

Global Configuration Mode Commands

Use global configuration mode for setting, viewing, and testing configuration of WAAS software features for the entire device. To enter this mode, enter the **configure** command from privileged EXEC mode. The prompt for global configuration mode consists of the hostname of the WAE followed by (config) and the pound sign (#). You must be in global configuration mode to enter global configuration commands.

```
WAE# configure  
WAE(config)#
```

Commands entered in global configuration mode update the running configuration file as soon as they are entered. These changes are not saved into the startup configuration file until you enter the **copy running-config startup-config** EXEC mode command. Once the configuration is saved, it is maintained across WAE reboots.

You also can use global configuration mode to enter specific configuration modes. From global configuration mode you can enter the interface configuration mode, standard ACL configuration mode, or the extended ACL configuration mode.

To exit global configuration mode and return to privileged-level EXEC mode, use either the **exit** or **end** global configuration command:

```
WAE(config)# exit  
WAE#
```

(config) aaa accounting

To configure AAA accounting on a WAAS device, use the **aaa accounting** global configuration command. To unconfigure AAA, use the **no** form of this command.

aaa accounting commands {0 | 15} default {start-stop | stop-only | wait-start} tacacs

no aaa accounting commands {0 | 15} default {start-stop | stop-only | wait-start} tacacs

aaa accounting exec default {start-stop | stop-only | wait-start} tacacs

no aaa accounting exec default {start-stop | stop-only | wait-start} tacacs

aaa accounting system default {start-stop | stop-only} tacacs

no aaa accounting system default {start-stop | stop-only} tacacs

Syntax Description

commands	Configures accounting for all commands at the specified privilege level.
0	Specifies user privilege level for a normal user.
15	Specifies user privilege level for an administrative user.
default	Sets AAA accounting to use the default accounting list.
start-stop	Sends a start accounting notice at the beginning of a process and a stop accounting notice at the end of a process. The start accounting record is sent in the background. The requested user process begins regardless of whether the start accounting notice was received by the accounting server.
stop-only	Sends a stop accounting notice at the end of the process requested by the user.
wait-start	Sends both a start and a stop accounting notice to the accounting server. However, the requested user service does not begin until the start accounting notice is acknowledged. The user cannot execute a CLI command or login until the user is on record. A stop accounting notice is also sent but does not need acknowledgement.
tacacs	Enables use of TACACS+ for accounting.
exec	Enables accounting for user EXEC processes (user shells). When enabled, the EXEC shell accounting reports EXEC terminal session (user shell) events and login and logout by an administrator to the EXEC shell.
system	Enables accounting for all system-level events not associated with users, such as reloads.

Defaults

AAA accounting is disabled by default.

Command Modes

global configuration

Device Modes

application-accelerator
central-manager

Examples

The following example shows how to configure TACACS+ on the WAAS device, specify that a start accounting notice should be sent at the beginning of the process and a stop accounting notice at the end of the process, and request that the user process should begin regardless of whether the start accounting notice was received by the accounting server:

```
WAE(config)# tacacs key abc
WAE(config)# tacacs server 192.168.50.1 primary
WAE(config)# aaa accounting system default start-stop tacacs
WAE# show aaa accounting
Accounting Type      Record event(s)  Protocol
-----
Exec shell           unknown          unknown
Command level 0     unknown          unknown
Command level 15    unknown          unknown
System               start-stop       TACACS+
```

The following example shows that the WAAS device is set to record all user EXEC sessions. The command also specifies that a stop accounting notice should be sent to the TACACS+ server at the end of the session.

```
WAE(config)# aaa accounting exec default stop-only tacacs
```

The following example shows that the WAAS device is set to record all CLI commands executed by a normal user. The command also specifies that a stop accounting notice should be sent to the TACACS+ server at the end of each CLI command executed by a normal user.

```
WAE(config)# aaa accounting commands 0 default stop-only tacacs
```

The following example shows that the WAAS device is set to record all CLI commands executed by an administrative user. The command also specifies that a start accounting notice should be sent to the TACACS+ server at the beginning of the process and a stop accounting notice at the end of the process. The CLI command executed by the administrative user does not proceed until the start accounting notice has been acknowledged.

```
WAE(config)# aaa accounting commands 15 default wait-start tacacs
```

The following example shows the EXEC shell accounting report that is available on the TACACS+ server:

```
Wed Apr 14 11:19:19 2004 172.16.0.0 super10 pts/0 172.31.0.0 start
start_time=1081919558 task_id=3028 timezone=PST service=shell
Wed Apr 14 11:19:23 2004 172.16.0.0 super10 pts/0 172.31.0.0
stop stop_time=1081919562 task_id=3028 timezone=PST service=shell
Wed Apr 14 11:22:13 2004 172.16.0.0 normal20 pts/0 via5.abc.com start
start_time=1081919732 task_id=3048 timezone=PST service=shell
Wed Apr 14 11:22:16 2004 172.16.0.0 normal20 pts/0 via5.abc.com stop
stop_time=1081919735 task_id=3048 timezone=PST service=shell
Wed Apr 14 11:25:29 2004 172.16.0.0 admin ftp via5.abc.com start start_time=1081919928
task_id=3069 timezone=PST service=shell
Wed Apr 14 11:25:33 2004 172.16.0.0 admin ftp via5.abc.com stop stop_time=1081919931
task_id=3069 timezone=PST service=shell
```

The following example shows the system accounting report that is available on the TACACS+ server:

```
Wed Apr 14 08:37:14 2004 172.16.0.0 unknown unknown 0.0.0.0 start start_time=1081909831
task_id=2725 timezone=PST service=system event=sys_acct reason=reload
Wed Apr 14 10:19:18 2004 172.16.0.0 admin ttyS0 0.0.0.0 stop stop_time=1081915955
```

```
task_id=5358 timezone=PST service=system event=sys_acct reason=shutdown
```

The following example shows the command accounting report that is available on the TACACS+ server:

```
Wed Apr 14 12:35:38 2004 172.16.0.0 admin ttyS0 0.0.0.0 start start_time=1081924137
task_id=3511 timezone=PST service=shell -lvl=0 cmd=logging console enable
Wed Apr 14 12:35:39 2004 172.16.0.0 admin ttyS0 0.0.0.0 stop stop_time=1081924137
task_id=3511 timezone=PST service=shell priv-lvl=0 cmd=logging console enable
```

In addition to command accounting, the WAAS device records any executed CLI command in the system log (*syslog.txt*). The message format is as follows:

```
ce_syslog(LOG_INFO, CESH_PARSER, PARSER_ALL, CESH_350232,
"CLI_LOG %s: %s \n", __FUNCTION__, pd->command_line);
```

Related Commands [show aaa accounting](#)

(config) aaa authorization commands

To authorize commands issued through the CLI by a user on a WAAS device, use the **aaa authorization commands** global configuration command. To disable command authorization, use the **no** form of this command.

aaa authorization commands *level* **default tacacs+**

no aaa authorization commands *level* **default tacacs+**

Syntax Description

level **default tacacs+** Configures command authorization for commands issued by the CLI user. Commands at the specified privilege level (0 or 15) are authorized. Level 0 authorizes EXEC commands, level 15 authorizes both EXEC and global configuration commands.

Defaults

AAA command authorization is disabled by default.

Command Modes

global configuration

Device Modes

application-accelerator
central-manager

Usage Guidelines

Command authorization enforces authorization through an external AAA server for each command executed by the user. All commands executed by a CLI user are authorized before they are executed.

When command authorization is configured for level 0, only EXEC commands are authorized, regardless of user level (normal or super).

When command authorization is configured for level 15, EXEC and global configuration commands are authorized, regardless of user level (normal or super).

Once it is configured, command authorization configuration is displayed in the running config. When the running config is copied to the startup config, command authorization is configured as the last config so that during the reload, the startup config need not be authorized.

Only commands executed through the CLI interface are subject to command authorization.

Examples

The following example shows how to configure command authorization for level 15 (authorization for both EXEC and global configuration commands) on the WAAS device:

```
WAE(config)# aaa authorization commands 15 default tacacs+
```

Related Commands

[show aaa authorization](#)

(config) accelerator cifs

To enable the CIFS application accelerator, use the **accelerator cifs** global configuration command. To disable the CIFS application accelerator, use the **no** form of this command.

```
accelerator cifs [[double-byte-unicode] | enable | dynamic-share share | clear cache |
cache server-rename oldname newname | exception {coredump | debug | no-coredump}}
```

```
no accelerator cifs [[double-byte-unicode] | enable | dynamic-share share | clear cache |
cache server-rename oldname newname | exception {coredump | debug | no-coredump}}
```

Syntax Description		
double-byte-unicode	Enables support for double-byte Unicode languages for Windows 98 clients.	
enable	Enables the CIFS traffic accelerator.	
dynamic-share <i>share</i>	Enables support for CIFS dynamic shares and specifies a path in the format: <i>cifs://server/share</i>	
clear cache	Clears the CIFS application accelerator cache and restarts the accelerator.	
cache server-rename <i>oldname newname</i>	Renames a CIFS file server for the cached data.	
exception	(Optional) Configures the action to be taken if an exception occurs.	
coredump	Writes a core file (default).	
debug	Hangs the system until it is explicitly restarted.	
no-coredump	Restarts the accelerator and does not write a core file.	

Defaults

The CIFS accelerator is enabled by default and will start automatically if the Enterprise license is installed. The default exception action is **coredump**.

Command Modes

global configuration

Device Modes

application-accelerator

Usage Guidelines

Use the **accelerator cifs enable** command to enable the acceleration of CIFS traffic with the transparent CIFS accelerator (not the legacy mode of acceleration).

The CIFS application accelerator requires that the WINS server be configured. Use the **windows-domain wins-server** global configuration command to configure the WINS server.

To configure prepositioning directives, use the **accelerator cifs preposition** global configuration command.

Use the **accelerator cifs dynamic-share** command to define a dynamic share, which allows multiple users to access the same share but then be automatically mapped to a different directory based on the user's credentials. Defining a dynamic share allows each user to see a different view of the share, and allows the operation of Access Based Enumeration, if configured on Windows Server.

**Note**

We recommend that you use the WAAS Central Manager GUI to configure dynamic shares because the dynamic share CLI configuration can be overwritten by the Central Manager. For more information, see the “[Creating Dynamic Shares](#)” section in the *Cisco Wide Area Application Services Configuration Guide*.

Use the **accelerator cifs cache server-rename** command to rename the data in the cache if the name of a file server changed and you do not want to lose the cached data for the server. The renaming applies to prepositioned files and files cached on demand.

**Note**

Do not specify the name of another existing cached file server as the new name. If you do specify an existing name as the new name, the cached contents of this file server are overwritten with the cached contents of the file server you are renaming.

Examples

The following example shows how to enable the CIFS application accelerator:

```
WAE(config)# accelerator cifs enable
```

Related Commands

[show accelerator](#)

[show statistics accelerator](#)

[\(config\) windows-domain](#)

(config) accelerator cifs preposition

To configure a CIFS application accelerator preposition directive, use the **accelerator cifs preposition** global configuration command. To disable the application accelerator, use the **no** form of this command.

accelerator cifs preposition [**remove**] *directive_id*

no accelerator cifs preposition [**remove**] *directive_id*

Syntax Description	remove	(Optional) Deletes a preposition directive.
	<i>directive_id</i>	ID of an existing preposition directive that you want to change or delete, or a new directive that you want to create.

Defaults No default behavior or values.

Command Modes global configuration

Device Modes application-accelerator

Usage Guidelines Use the **accelerator cifs preposition** command to create and edit preposition directives to be used with the transparent CIFS accelerator. A preposition directive defines a set of files that are to be prepositioned about the WAE device.

The **accelerator cifs preposition** command invokes the preposition configuration submode. For details on the commands available in this submode to configure a preposition directive, see the [“Preposition Configuration Mode Commands”](#) section.



Note

We recommend that you use the WAAS Central Manager GUI to configure preposition directives. For more information, see the [“Creating a Preposition Directive”](#) section in the *Cisco Wide Area Application Services Configuration Guide*.



Note

If you create a preposition directive from the CLI before the secure store on the WAE is initialized, you must wait at least two datafeed poll cycles (10 minutes by default) before initializing the secure store; otherwise, the preposition directive will not propagate to the Central Manager because the credentials will not be able to be decrypted on the WAE.

Examples The following example shows how to create a new CIFS preposition directive with ID 3:

```
WAE(config)# accelerator cifs preposition 3
WAE(config-preposition)
```

■ (config) accelerator cifs preposition

Related Commands [show accelerator](#)
 [show statistics accelerator](#)
 [\(config\) windows-domain](#)

(config) accelerator epm

To enable the Endpoint Mapper (EPM) application accelerator, use the **accelerator epm** global configuration command. To disable the EPM application accelerator, use the **no** form of this command.

accelerator cifs preposition [**remove**] *directive_id*

no accelerator cifs preposition [**remove**] *directive_id*

Syntax Description		
enable	(Optional)	Enables the EPM application accelerator.
exception	(Optional)	Configures the action to be taken if an exception occurs.
coredump		Writes a core file (default).
debug		Hangs the system until it is explicitly restarted.
no-core dump		Restarts the accelerator and does not write a core file.

Defaults The EPM accelerator is enabled by default and will start automatically if the Enterprise license is installed. The default exception action is coredump.

Command Modes global configuration

Device Modes application-accelerator

Usage Guidelines Use the **accelerator epm enable** command to enable the acceleration of EPM traffic. The EPM accelerator must be enabled for the MAPI accelerator to operate.

Examples The following example shows how to enable the EPM application accelerator:

```
WAE(config)# accelerator epm enable
```

Related Commands

- [\(config\) accelerator mapi](#)
- [show accelerator](#)
- [show statistics accelerator](#)

(config) accelerator http

To enable the HTTP application accelerator, use the **accelerator http** global configuration command. To disable the HTTP application accelerator, use the **no** form of this command.

```
accelerator http {enable | exception {coredump | debug | no-coredump} | metadatacache
  {enable | conditional-response enable | redirect-response enable | unauthorized-response
  enable | max-age seconds | min-age seconds | filter-extension extension-list} |
  suppress-server-encoding enable}
```

```
no accelerator http {enable | exception {coredump | debug | no-coredump}}
```

Syntax Description

enable	(Optional) Enables the HTTP application accelerator.
exception	(Optional) Configures the action to be taken if an exception occurs.
coredump	Writes a core file (default).
debug	Hangs the system until it is explicitly restarted.
no-coredump	Restarts the accelerator and does not write a core file.
metadatacache	(Optional) Configures metadata caching.
enable	(Optional) Enables metadata caching.
conditional-response enable	(Optional) Enables caching of HTTP 304 messages.
redirect-response enable	(Optional) Enables caching of HTTP 301 messages.
unauthorized-response enable	(Optional) Enables caching of HTTP 401 messages.
max-age seconds	(Optional) Maximum number of seconds to retain HTTP header information in the cache. The default is 86400 seconds (24 hours). Valid time periods range from 5–2592000 seconds (30 days).
min-age seconds	(Optional) Minimum number of seconds to retain HTTP header information in the cache. The default is 60 seconds. Valid time periods range from 5–86400 seconds (24 hours).
filter-extension extension-list	(Optional) String containing a comma-separated list of file extensions to which metadata caching is to be applied. Do not include the dot at the beginning of the file extension. You can specify a maximum of 20 file extensions.
suppress-server-encoding enable	(Optional) Enables suppression of Accept-Encoding compress, gzip, and deflate request-headers between the client and the server.

Defaults

The HTTP accelerator is enabled by default and will start automatically if the Enterprise license is installed. The default exception action is **coredump**.

The metadata caching feature is disabled by default for all response types. The default max-age is 86400 seconds (24 hours), the default min-age is 60 seconds, and the default filter extension list is empty (meaning that metadata caching is applied to all extension types).

The suppress-server-encoding feature is disabled by default.

Command Modes global configuration

Device Modes application-accelerator

Usage Guidelines Use the **accelerator http enable** command to enable the acceleration of HTTP traffic.

You can enable or disable each of three metadata caches (conditional-response, redirect-response, and unauthorized-response) separately. By default they are all enabled when you enable HTTP metadata caching. If you disable the HTTP accelerator, metadata caching is also disabled.

When you enable the suppress-server-encoding feature, the WAE removes the Accept-Encoding header from HTTP requests, preventing the web server from compressing HTTP data that it sends to the client. This allows the WAE to apply its own compression to the HTTP data, typically resulting in much better compression than the web server.

Examples The following example shows how to enable the HTTP application accelerator:

```
WAE(config)# accelerator http enable
```

The following example shows how to enable and configure the metadata cache to operate only on specific file types:

```
WAE(config)# accelerator http metadatatcache enable  
WAE(config)# accelerator http metadatatcache filter-extension html,css,jpg,gif
```

Related Commands

- [clear cache](#)
- [show accelerator](#)
- [show cache http-metadatatcache](#)
- [show statistics accelerator](#)

(config) accelerator mapi

To enable the MAPI application accelerator, use the **accelerator mapi** global configuration command. To disable the MAPI application accelerator, or one of its options, use the **no** form of this command.

```
accelerator mapi { enable | read-opt | write-opt | reserved-pool-size maximum-percent
max_percent | exception { coredump | debug | no-coredump } }
```

```
no accelerator mapi { enable | read-opt | write-opt | reserved-pool-size maximum-percent
max_percent | exception { coredump | debug | no-coredump } }
```

Syntax Description		
enable		Enables the MAPI traffic accelerator.
read-opt		Enables the read-ahead optimization of the MAPI traffic for mail reading.
write-opt		Enables the asynchronous write optimization of the MAPI traffic for mail sending.
reserved-pool-size maximum-percent <i>max_percent</i>		Configures the maximum reserved connection pool percent, specified as the percent of the device TFO connection limit, to restrict the maximum connections reserved for MAPI optimization during TFO overload. Range is from 5 to 50. Default is 15.
exception		(Optional) Configures the action to be taken if an exception occurs.
coredump		Writes a core file (default).
debug		Hangs the system until it is explicitly restarted.
no-coredump		Restarts the accelerator and does not write a core file.

Defaults

The MAPI accelerator is enabled by default and will start automatically if the Enterprise license is installed. The read optimization (**read-opt**) and write optimization (**write-opt**) features are enabled by default when the MAPI accelerator is enabled. The default maximum reserved connection pool percent is 15. The default exception action is coredump.

Command Modes

global configuration

Device Modes

application-accelerator

Usage Guidelines

Use the **accelerator mapi enable** command to enable MAPI acceleration. This feature supports Microsoft Outlook 2000–2007 clients. Secure connections that use message authentication (signing) or encryption are not accelerated and MAPI over HTTP is not accelerated.

You must enable the EPM accelerator before the MAPI accelerator can operate.

Use the **reserved-pool-size** keyword to restrict the maximum number of connections reserved for MAPI optimization during TFO overload. It is specified as a percent of the TFO connection limit of the platform. Valid percent ranges from 5%-50%. The default is 15% which would reserve approximately 0.5 connection for each client-server Association Group (AG) optimized by MAPI accelerator.

The client maintains at least one AG per server it connects to with an average of about 3 connections per AG. For deployments that observe a greater average number of connections per AG, or where TFO overload is a frequent occurrence, a higher value for the reserved pool size maximum percent is recommended.

Reserved connections would remain unused when the device is not under TFO overload. Reserved connections are released when the AG terminates.

Examples

The following example shows how to enable the MAPI application accelerator:

```
WAE(config)# accelerator mapi enable
```

Related Commands

[\(config\) accelerator epm](#)

[show accelerator](#)

[show statistics accelerator](#)

(config) accelerator nfs

To enable the NFS application accelerator, use the **accelerator nfs** global configuration command. To disable the NFS application accelerator, use the **no** form of this command.

```
accelerator nfs {enable | exception {coredump | debug | no-coredump}}
```

```
no accelerator nfs {enable | exception {coredump | debug | no-coredump}}
```

Syntax Description	enable	(Optional) Enables the EPM application accelerator.
	exception	(Optional) Configures the action to be taken if an exception occurs.
	coredump	Writes a core file (default).
	debug	Hangs the system until it is explicitly restarted.
	no-coredump	Restarts the accelerator and does not write a core file.

Defaults The NFS accelerator is enabled by default and will start automatically if the Enterprise license is installed. The default exception action is coredump.

Command Modes global configuration

Device Modes application-accelerator

Examples The following example shows how to enable the NFS application accelerator:

```
WAE(config)# accelerator nfs enable
```

Related Commands [show accelerator](#)
[show statistics accelerator](#)

(config) accelerator ssl

To enable the SSL application accelerator, use the **accelerator ssl** global configuration command. To disable the SSL application accelerator, use the **no** form of this command.

```
accelerator ssl {enable | exception {coredump | debug | no-coredump}}
```

```
no accelerator ssl {enable | exception {coredump | debug | no-coredump}}
```

Syntax Description		
enable	(Optional)	Enables the EPM application accelerator.
exception	(Optional)	Configures the action to be taken if an exception occurs.
coredump		Writes a core file (default).
debug		Hangs the system until it is explicitly restarted.
no-coredump		Restarts accelerator and does not write a core file.

Defaults The SSL accelerator is enabled by default and will start automatically if the Enterprise license is installed. The default exception action is coredump.

Command Modes global configuration

Device Modes application-accelerator

Usage Guidelines Use the **accelerator ssl enable** command to enable the acceleration of SSL traffic. To undo this command, for example to disable SSL acceleration after you have enabled it, use the **no** version of this command.

Examples The following example shows how to enable the SSL application accelerator:

```
WAE(config)# accelerator ssl enable
```

Related Commands

- [show accelerator](#)
- [show statistics accelerator](#)
- [crypto delete](#)
- [crypto export](#)
- [crypto generate](#)
- [crypto import](#)
- [\(config\) crypto pki](#)
- [\(config\) crypto ssl](#)

(config-ca) ca-certificate

(config-ca) description

(config-ca) revocation-check

(config) accelerator video

To enable the video application accelerator, use the **accelerator video** global configuration command. To disable the video application accelerator, use the **no** form of this command.

```
accelerator video {enable | unaccelerated-traffic type {all | overload} action drop |
max-initial-setup-delay seconds |
windows-media {client idle-timeout seconds | log-forwarding enable}}
```

```
no accelerator video {enable | unaccelerated-traffic type {all | overload} action drop |
max-initial-setup-delay seconds |
windows-media {client idle-timeout seconds | log-forwarding enable}}
```

```
accelerator video exception {coredump | debug | no-coredump}
```

```
no accelerator video exception {coredump | debug | no-coredump}
```

Syntax Description

enable	Enables the video traffic accelerator.
unaccelerated-traffic type	Configures the handling of video traffic that is not being accelerated due to overload or unsupported transport or format, including Windows Media video on demand traffic and all RTSP traffic that is not for Windows Media.
all	Selects all video traffic that is not being accelerated due to overload or unsupported transport or format, including Windows Media video on demand traffic and all RTSP traffic that is not for Windows Media.
overload	Selects video traffic that is not being accelerated due to an overload condition.
action drop	Drops the specified type of video traffic that is not being accelerated. The connection is actually reset. If you do not specify this action, the default is to handle such traffic with the negotiated TCP optimization policy.
max-initial-setup-delay seconds	Sets the maximum number of seconds to wait for the first message from the client and the first response from the server, after the connection is accepted by the video accelerator, and before timing out the connection. Valid values range from 10–180 seconds. The default is 60.
windows-media	Configures Windows Media-specific settings.
client idle-timeout seconds	Sets the maximum number of seconds to wait after the initial client request, while the client connection is idle, before timing out the connection. Valid values range from 30–300 seconds. The default is 60.
log-forwarding enable	Enables forwarding of Windows Media logs to the upstream Windows Media Server. Log forwarding is enabled by default.
exception	(Optional) Configures the action to be taken if an exception occurs.
coredump	Writes a core file (default).
debug	Hangs the system until it is explicitly restarted.
no-coredump	Restarts the accelerator and does not write a core file.

Defaults

The video accelerator is enabled by default and will start automatically if both the Enterprise and Video licenses are installed. The default exception action is coredump.

Command Modes global configuration

Device Modes application-accelerator

Usage Guidelines Use the **accelerator video enable** command to enable the acceleration of Windows Media live streaming video traffic that uses the RTSP.

You can configure the video accelerator to discard unaccelerated video traffic by using the **unaccelerated-traffic type {all | overload} action drop** option. If you do not specify this option, the unaccelerated video traffic is handled with the negotiated TCP optimization policy.

Examples The following example shows how to enable the video application accelerator:

```
WAE(config)# accelerator video enable
```

Related Commands [show accelerator](#)
[show statistics accelerator](#)

(config) accelerator windows-print

To enable the Windows print accelerator, use the **accelerator windows-print** global configuration command. To disable the Windows print accelerator, use the **no** form of this command.

accelerator windows-print enable

no accelerator windows-print enable

Syntax Description This command has no arguments or keywords.

Defaults The Windows print accelerator is enabled by default and will start automatically if the Enterprise license is installed.

Command Modes global configuration

Device Modes application-accelerator

Examples The following example shows how to enable the Windows print accelerator:

```
WAE(config)# accelerator windows-print enable
```

Related Commands [show statistics windows-print requests](#)

(config) alarm overload-detect

To detect alarm overload situations, use the **alarm overload-detect** global configuration command. To unconfigure alarm parameters, use the **no** form of this command.

```
alarm overload-detect { clear 1-999 [raise 10-1000] | enable | raise 10-1000 [clear 1-999]}
```

```
no alarm overload-detect { clear 1-999 [raise 10-1000] | enable | raise 10-1000 [clear 1-999]}
```

Syntax Description

clear 1-999	Specifies the number of alarms per second at which the alarm overload state on the WAAS device is cleared. When the alarm drops below this threshold, the alarm is cleared and the SNMP traps and alarm notifications are again sent to your NMS. Note The alarm overload-detect clear value must be less than the alarm overload-detect raise value.
raise 10-1000	(Optional) Specifies the number of alarms per second at which the WAAS device enters an alarm overload state and SNMP traps and alarm notifications to your network management station (NMS) are suspended.
enable	Enables the detection of alarm overload situations.

Defaults

clear: 1 alarm per second
raise: 10 alarms per second

Command Modes

global configuration

Device Modes

application-accelerator
central-manager

Usage Guidelines

In the alarm overload state, applications continue to raise alarms and these alarms are recorded within the WAAS device. Use the **show alarms** and **show alarms history EXEC** commands to display all the alarms in the alarm overload state.

Examples

The following example shows how to enable detection of alarm overload:

```
WAE(config)# alarm overload-detect enable
```

The following example shows how to set the threshold for triggering the alarm overload at 100 alarms per second:

```
WAE(config)# alarm overload-detect raise 100
```

The following example shows how to set the level for clearing the alarm overload at 10 alarms per second:


```
WAE(config)# alarm overload-detect clear 10
```

Related Commands [show alarms](#)

(config) asset

To set the tag name for the asset tag string, use the **asset** global configuration command. To remove the asset tag name, use the **no** form of this command.

asset tag *name*

no asset tag *name*

Syntax	Description
tag <i>name</i>	Sets the asset tag name.

Defaults	Description
	No default behaviors or values.

Command Modes	Description
	global configuration

Device Modes	Description
	application-accelerator
	central-manager

Examples	Description
	The following example shows how to configure a tag name for the asset tag string on a WAAS device: <pre>WAE(config)# asset tag entitymib</pre>

(config) authentication configuration

To specify administrative login authorization parameters for a WAAS device, use the **authentication configuration** global configuration mode command. To selectively disable options, use the **no** form of this command.

```
authentication { configuration { local | radius | tacacs | windows-domain }
enable [ primary | secondary | tertiary | quaternary ]
```

```
no authentication { configuration { local | radius | tacacs | windows-domain }
enable [ primary | secondary | tertiary | quaternary ]
```

Syntax Description

configuration	Sets the administrative login authorization (configuration) parameters for the WAAS device.
local	Selects the local database method for the WAAS device.
radius	Selects the RADIUS method for the WAAS device.
tacacs	Selects the TACACS+ method for the WAAS device.
windows-domain	Selects the Windows domain controller method for the WAAS device.
enable	Enables the specified methods for the WAAS device.
primary	(Optional) Specifies the first method that the WAAS device should use.
secondary	(Optional) Specifies the second method that the WAAS device should use.
tertiary	(Optional) Specifies the third method that the WAAS device should use if the primary and secondary methods fail.
quaternary	(Optional) Specifies the fourth method that the WAAS device should use if the primary, secondary, and tertiary methods all fail.

Defaults

The local authentication method is enabled by default.

Command Modes

global configuration

Device Modes

application-accelerator
central-manager

Usage Guidelines

The **authentication** command configures both the authentication and authorization methods that govern login and configuration access to the WAAS device.



Note

We strongly recommend that you use the WAAS Central Manager GUI instead of the WAAS CLI to configure administrative login authentication and authorization for your WAAS devices, if possible. For information about how to use the WAAS Central Manager GUI to centrally configure administrative login authentication and authorization on a single WAE or group of WAEs, which are registered with a WAAS Central Manager, see the *Cisco Wide Area Application Services Configuration Guide*.

The **authentication login** command determines whether the user has any level of permission to access the WAAS device. The **authentication configuration** command authorizes the user with privileged access (configuration access) to the WAAS device.

The **authentication login local** and the **authentication configuration local** commands use a local database for authentication and authorization.

The **authentication login tacacs** and **authentication configuration tacacs** commands use a remote TACACS+ server to determine the level of user access. The WAAS software supports only TACACS+ and not TACACS or Extended TACACS.

To configure TACACS+, use the **authentication** and **tacacs** commands. To enable TACACS+, use the **tacacs enable** command. For more information on TACACS+ authentication, see the **(config) tacacs** command.

The **authentication login radius** and **authentication configuration radius** commands use a remote RADIUS server to determine the level of user access.

By default, the local method is enabled, with TACACS+ and RADIUS both disabled for login and configuration. Whenever TACACS+ and RADIUS are disabled the local method is automatically enabled. TACACS+, RADIUS, and local methods can be enabled at the same time.

The **primary** option specifies the first method to attempt for both login and configuration; the **secondary** option specifies the method to use if the primary method fails. The **tertiary** option specifies the method to use if both primary and secondary methods fail. The **quaternary** option specifies the method to use if the primary, secondary, and tertiary methods fail. If all methods of an **authentication login** or **authentication configuration** command are configured as primary, or all as secondary or tertiary, local is attempted first, then TACACS+, and then RADIUS.

Enforcing Authentication with the Primary Method

The **authentication fail-over server-unreachable** global configuration command allows you to specify that a failover to the secondary authentication method should occur only if the primary authentication server is unreachable. This feature ensures that users gain access to the WAAS device using the local database only when remote authentication servers (TACACS+ or RADIUS) are unreachable. For example, when a TACACS+ server is enabled for authentication with a user authentication failover configured and the user tries to log in to the WAAS device using an account defined in the local database, login fails. Login succeeds only when the TACACS+ server is unreachable.

You can configure multiple TACACS+ or RADIUS servers; authentication is attempted on the primary server first. If the primary server is unreachable, then authentication is attempted on the other servers in the TACACS+ or RADIUS farm, in order. If authentication fails for any reason other than a server is unreachable, authentication is not attempted on the other servers in the farm. This process applies regardless of the setting of the **authentication fail-over server-unreachable** command.

Login Authentication and Authorization Through the Local Database

Local authentication and authorization uses locally configured login and passwords to authenticate administrative login attempts. The login and passwords are local to each WAAS device and are not mapped to individual usernames.

By default, local login authentication is enabled first. You can disable local login authentication only after enabling one or more of the other administrative login authentication methods. However, when local login authentication is disabled, if you disable all other administrative login authentication methods, local login authentication is reenabled automatically.

Specifying RADIUS Authentication and Authorization Settings

To configure RADIUS authentication on a WAAS device, you must first configure a set of RADIUS authentication server settings on the WAAS device by using the **radius-server** global configuration command. (See the (config) **radius-server** command.)

Use the **authentication login radius** global configuration command to enable RADIUS authentication for normal login mode.

Use the **authentication configuration radius** global configuration command to enable RADIUS authorization.

To disable RADIUS authentication and authorization on a WAAS device, use the **no** form of the **authentication** global configuration command (for example, use the **no authentication login radius enable** command to disable RADIUS authentication).

Specifying TACACS+ Authentication and Authorization Settings

To configure TACACS+ authentication on WAAS devices, you must configure a set of TACACS+ authentication settings on the WAAS device by using the **tacacs** global configuration command. (See the (config) **tacacs** command.)

Server Redundancy

Authentication servers can be specified with the **tacacs host** or **radius-server host** global configuration commands. In the case of TACACS+ servers, the **tacacs host hostname** command can be used to configure additional servers. These additional servers provide authentication redundancy and improved throughput, especially when WAAS device load-balancing schemes distribute the requests evenly between the servers. If the WAAS device cannot connect to any of the authentication servers, no authentication takes place and users who have not been previously authenticated are denied access. Secondary authentication servers are queried in order only if the primary server is unreachable. If authentication fails for any other reason, alternate servers are not queried.

Specifying the Windows Domain Login Authentication

You can enable the Windows domain as an administrative login authentication and authorization method for a device or device group. Before you enable Windows authentication, you must first configure the Windows domain controller by using the **windows-domain wins-server** global configuration command. (See the (config) **windows-domain** command.)



Note

WAAS supports authentication by a Windows domain controller running only on Windows Server 2000 or Windows Server 2003.

Examples

The following example shows how to query the secondary authentication database if the primary authentication server is unreachable. This feature is referred to as the failover server-unreachable feature.

```
WAE(config)# authentication fail-over server-unreachable
```

If you enable the failover server-unreachable feature on the WAAS device, only two login authentication schemes (a primary and secondary scheme) can be configured on the WAAS device. The WAAS device fails over from the primary authentication scheme to the secondary authentication scheme only if the specified authentication server is unreachable.

To enable authentication privileges using the local, TACACS+, RADIUS, or Windows databases, and to specify the order of the administrative login authentication, use the **authentication login** global configuration command. In the following example, RADIUS is specified as the primary method, TACACS+ as the secondary method, Windows as the third method, and the local database as the fourth method. In this example, four login authentication methods are specified because the failover server-unreachable feature is not enabled on the WAAS device.

```
WAE(config)# authentication login radius enable primary
WAE(config)# authentication login tacacs enable secondary
WAE(config)# authentication login windows-domain enable tertiary
WAE(config)# authentication login local enable quaternary
```



Note If you enable the failover server unreachable feature on the WAAS device, make sure that you specify either **TACACS+** or **RADIUS** as the primary scheme for authentication, and specify **local** as the secondary scheme for authentication.

To enable authorization privileges using the local, TACACS+, RADIUS, or Windows databases, and to specify the order of the administrative login authorization (configuration), use the **authentication configuration** global configuration command.



Note Authorization privileges apply to console and Telnet connection attempts, secure FTP (SFTP) sessions, and Secure Shell (SSH, Version 1 and Version 2) sessions.

We strongly recommend that you set the administrative login authentication and authorization methods in the same order. For example, configure the WAAS device to use RADIUS as the primary login method, TACACS+ as the secondary login method, Windows as the tertiary method, and the local method as the quaternary method for both administrative login authentication and authorization.

The following example shows that RADIUS is specified as the primary method, TACACS+ as the secondary method, Windows as the third method, and the local database as the fourth method. In this example, four login authorization (configuration) methods are specified because the failover server-unreachable feature is not enabled on the WAAS device.

```
WAE(config)# authentication configuration radius enable primary
WAE(config)# authentication configuration tacacs enable secondary
WAE(config)# authentication configuration windows-domain enable tertiary
WAE(config)# authentication configuration local enable quaternary
```



Note If you enable the failover server unreachable feature on the WAAS device, make sure that you specify either **TACACS+** or **RADIUS** as the primary scheme for authorization (configuration), and specify **local** as the secondary scheme for authorization (configuration).

The following example shows the resulting output of the **show authentication** command:

```
WAE# show authentication user

Login Authentication:          Console/Telnet/Ftp/SSH Session
-----
local                        enabled (primary)
Windows domain               enabled
Radius                       disabled
Tacacs+                      disabled
```

```
Configuration Authentication: Console/Telnet/Ftp/SSH Session
-----
local                enabled (primary)
Radius               disabled
Tacacs+              disabled
```

Related Commands

[\(config\) radius-server](#)
[show authentication](#)
[show statistics radius](#)
[show statistics tacacs](#)
[\(config\) tacacs](#)
[windows-domain](#)
[\(config\) windows-domain](#)

(config) authentication content-request

To authenticate a request for content, use the **authentication content-request** global configuration mode command. To selectively disable options, use the **no** form of this command.

authentication content-request windows-domain-ctrl disconnected-mode enable

no authentication content-request windows-domain-ctrl disconnected-mode enable

Syntax Description

content-request	Authenticates a request for content.
	Note This option is available in the application-accelerator device mode only.
windows-domain-ctrl	Selects a Windows domain controller for domain server authentication.
disconnected-mode enable	Enables authentication in the disconnected mode.

Defaults

The local authentication method is enabled by default.

Command Modes

global configuration

Device Modes

application-accelerator

Usage Guidelines

The **authentication** command configures both the authentication and authorization methods that govern login and configuration access to the WAAS device.



Note

We strongly recommend that you use the WAAS Central Manager GUI instead of the WAAS CLI to configure administrative login authentication and authorization for your WAAS devices, if possible. For information about how to use the WAAS Central Manager GUI to centrally configure administrative login authentication and authorization on a single WAE or group of WAEs, which are registered with a WAAS Central Manager, see the *Cisco Wide Area Application Services Configuration Guide*.

The **authentication login** command determines whether the user has any level of permission to access the WAAS device. The **authentication configuration** command authorizes the user with privileged access (configuration access) to the WAAS device.

The **authentication login local** and the **authentication configuration local** commands use a local database for authentication and authorization.

The **authentication login tacacs** and **authentication configuration tacacs** commands use a remote TACACS+ server to determine the level of user access. The WAAS software supports only TACACS+ and not TACACS or Extended TACACS.

To configure TACACS+, use the **authentication** and **tacacs** commands. To enable TACACS+, use the **tacacs enable** command. For more information on TACACS+ authentication, see the [\(config\) tacacs](#) command.

The **authentication login radius** and **authentication configuration radius** commands use a remote RADIUS server to determine the level of user access.

By default, the local method is enabled, with TACACS+ and RADIUS both disabled for login and configuration. Whenever TACACS+ and RADIUS are disabled the local method is automatically enabled. TACACS+, RADIUS, and local methods can be enabled at the same time.

The **primary** option specifies the first method to attempt for both login and configuration; the **secondary** option specifies the method to use if the primary method fails. The **tertiary** option specifies the method to use if both primary and secondary methods fail. The **quaternary** option specifies the method to use if the primary, secondary, and tertiary methods fail. If all methods of an **authentication login** or **authentication configuration** command are configured as primary, or all as secondary or tertiary, local is attempted first, then TACACS+, and then RADIUS.

Enforcing Authentication with the Primary Method

The **authentication fail-over server-unreachable** global configuration command allows you to specify that a failover to the secondary authentication method should occur only if the primary authentication server is unreachable. This feature ensures that users gain access to the WAAS device using the local database only when remote authentication servers (TACACS+ or RADIUS) are unreachable. For example, when a TACACS+ server is enabled for authentication with a user authentication failover configured and the user tries to log in to the WAAS device using an account defined in the local database, login fails. Login succeeds only when the TACACS+ server is unreachable.

You can configure multiple TACACS+ or RADIUS servers; authentication is attempted on the primary server first. If the primary server is unreachable, then authentication is attempted on the other servers in the TACACS+ or RADIUS farm, in order. If authentication fails for any reason other than a server is unreachable, authentication is not attempted on the other servers in the farm. This process applies regardless of the setting of the **authentication fail-over server-unreachable** command.

Login Authentication and Authorization Through the Local Database

Local authentication and authorization uses locally configured login and passwords to authenticate administrative login attempts. The login and passwords are local to each WAAS device and are not mapped to individual usernames.

By default, local login authentication is enabled first. You can disable local login authentication only after enabling one or more of the other administrative login authentication methods. However, when local login authentication is disabled, if you disable all other administrative login authentication methods, local login authentication is reenabled automatically.

Specifying RADIUS Authentication and Authorization Settings

To configure RADIUS authentication on a WAAS device, you must first configure a set of RADIUS authentication server settings on the WAAS device by using the **radius-server** global configuration command. (See the [\(config\) radius-server](#) command.)

Use the **authentication login radius** global configuration command to enable RADIUS authentication for normal login mode.

Use the **authentication configuration radius** global configuration command to enable RADIUS authorization.

To disable RADIUS authentication and authorization on a WAAS device, use the **no** form of the **authentication** global configuration command (for example, use the **no authentication login radius enable** command to disable RADIUS authentication).

Specifying TACACS+ Authentication and Authorization Settings

To configure TACACS+ authentication on WAAS devices, you must configure a set of TACACS+ authentication settings on the WAAS device by using the **tacacs** global configuration command. (See the [\(config\) tacacs](#) command.)

Server Redundancy

Authentication servers can be specified with the **tacacs host** or **radius-server host** global configuration commands. In the case of TACACS+ servers, the **tacacs host hostname** command can be used to configure additional servers. These additional servers provide authentication redundancy and improved throughput, especially when WAAS device load-balancing schemes distribute the requests evenly between the servers. If the WAAS device cannot connect to any of the authentication servers, no authentication takes place and users who have not been previously authenticated are denied access. Secondary authentication servers are queried in order only if the primary server is unreachable. If authentication fails for any other reason, alternate servers are not queried.

Specifying the Windows Domain Login Authentication

You can enable the Windows domain as an administrative login authentication and authorization method for a device or device group. Before you enable Windows authentication, you must first configure the Windows domain controller by using the **windows-domain wins-server** global configuration command. (See the [\(config\) windows-domain](#) command.)



Note

WAAS supports authentication by a Windows domain controller running only on Windows Server 2000 or Windows Server 2003.

Examples

The following example shows how to query the secondary authentication database if the primary authentication server is unreachable. This feature is referred to as the failover server-unreachable feature.

```
WAE(config)# authentication fail-over server-unreachable
```

If you enable the failover server-unreachable feature on the WAAS device, only two login authentication schemes (a primary and secondary scheme) can be configured on the WAAS device. The WAAS device fails over from the primary authentication scheme to the secondary authentication scheme only if the specified authentication server is unreachable.

To enable authentication privileges using the local, TACACS+, RADIUS, or Windows databases, and to specify the order of the administrative login authentication, use the **authentication login** global configuration command. In the following example, RADIUS is specified as the primary method, TACACS+ as the secondary method, Windows as the third method, and the local database as the fourth method. In this example, four login authentication methods are specified because the failover server-unreachable feature is not enabled on the WAAS device.

```
WAE(config)# authentication login radius enable primary
WAE(config)# authentication login tacacs enable secondary
WAE(config)# authentication login windows-domain enable tertiary
WAE(config)# authentication login local enable quaternary
```



Note

If you enable the failover server unreachable feature on the WAAS device, make sure that you specify either **TACACS+ or RADIUS** as the primary scheme for authentication, and specify **local** as the secondary scheme for authentication.

To enable authorization privileges using the local, TACACS+, RADIUS, or Windows databases, and to specify the order of the administrative login authorization (configuration), use the **authentication configuration** global configuration command.



Note Authorization privileges apply to console and Telnet connection attempts, secure FTP (SFTP) sessions, and Secure Shell (SSH, Version 1 and Version 2) sessions.

We strongly recommend that you set the administrative login authentication and authorization methods in the same order. For example, configure the WAAS device to use RADIUS as the primary login method, TACACS+ as the secondary login method, Windows as the tertiary method, and the local method as the quaternary method for both administrative login authentication and authorization.

The following example shows that RADIUS is specified as the primary method, TACACS+ as the secondary method, Windows as the third method, and the local database as the fourth method. In this example, four login authorization (configuration) methods are specified because the failover server-unreachable feature is not enabled on the WAAS device.

```
WAE(config)# authentication configuration radius enable primary
WAE(config)# authentication configuration tacacs enable secondary
WAE(config)# authentication configuration windows-domain enable tertiary
WAE(config)# authentication configuration local enable quaternary
```



Note If you enable the failover server unreachable feature on the WAAS device, make sure that you specify either **TACACS+** or **RADIUS** as the primary scheme for authorization (configuration), and specify **local** as the secondary scheme for authorization (configuration).

The following example shows the resulting output of the **show authentication** command:

```
WAE# show authentication user

Login Authentication:      Console/Telnet/Ftp/SSH Session
-----
local                     enabled (primary)
Windows domain           enabled
Radius                   disabled
Tacacs+                  disabled

Configuration Authentication: Console/Telnet/Ftp/SSH Session
-----
local                     enabled (primary)
Radius                   disabled
Tacacs+                  disabled
```

Related Commands

(config) radius-server
 show authentication
 show statistics radius
 show statistics tacacs
 (config) tacacs
 windows-domain
 (config) windows-domain

(config) authentication fail-over

To specify authentication failover if the primary authentication server is unreachable, use the **authentication fail-over** global configuration mode command. To disable this feature, use the **no** form of this command.

authentication fail-over server-unreachable

no authentication fail-over server-unreachable

Syntax Description	fail-over server-unreachable	Specifies that the WAAS device is to query the secondary authentication database only if the primary authentication server is unreachable.
---------------------------	-------------------------------------	--

Defaults This feature is disabled by default. This means that the WAAS device tries the other authentication methods if the primary method fails for any reason, not just if the server is unreachable.

Command Modes global configuration

Device Modes application-accelerator
central-manager

Usage Guidelines The **authentication** command configures both the authentication and authorization methods that govern login and configuration access to the WAAS device.



Note

We strongly recommend that you use the WAAS Central Manager GUI instead of the WAAS CLI to configure administrative login authentication and authorization for your WAAS devices, if possible. For information about how to use the WAAS Central Manager GUI to centrally configure administrative login authentication and authorization on a single WAE or group of WAEs, which are registered with a WAAS Central Manager, see the *Cisco Wide Area Application Services Configuration Guide*.

The **authentication fail-over server-unreachable** global configuration command allows you to specify that a failover to the secondary authentication method should occur only if the primary authentication server is unreachable. This feature ensures that users gain access to the WAAS device using the local database only when remote authentication servers (TACACS+ or RADIUS) are unreachable. For example, when a TACACS+ server is enabled for authentication with a user authentication failover configured and the user tries to log in to the WAAS device using an account defined in the local database, login fails. Login succeeds only when the TACACS+ server is unreachable.

You can configure multiple TACACS+ or RADIUS servers; authentication is attempted on the primary server first. If the primary server is unreachable, then authentication is attempted on the other servers in the TACACS+ or RADIUS farm, in order. If authentication fails for any reason other than a server is unreachable, authentication is not attempted on the other servers in the farm. This process applies regardless of the setting of the **authentication fail-over server-unreachable** command.

Examples

The following example shows how to query the secondary authentication database if the primary authentication server is unreachable. This feature is referred to as the failover server-unreachable feature.

```
WAE(config)# authentication fail-over server-unreachable
```

If you enable the failover server-unreachable feature on the WAAS device, only two login authentication schemes (a primary and secondary scheme) can be configured on the WAAS device. The WAAS device fails over from the primary authentication scheme to the secondary authentication scheme only if the specified authentication server is unreachable.



Note If you enable the failover server unreachable feature on the WAAS device, make sure that you specify either **TACACS+** or **RADIUS** as the primary scheme for authentication, and specify **local** as the secondary scheme for authentication.

Related Commands

[\(config\) radius-server](#)

[show authentication](#)

[show statistics radius](#)

[show statistics tacacs](#)

[\(config\) tacacs](#)

[windows-domain](#)

[\(config\) windows-domain](#)

(config) authentication login

To set the administrative login authentication parameters for a WAAS device, use the **authentication login** global configuration mode command. To selectively disable options, use the **no** form of this command.

```
authentication login {local | radius | tacacs | windows-domain}
    enable [primary | secondary | tertiary| quaternary]
```

```
no authentication login {local | radius | tacacs | windows-domain}
    enable [primary | secondary | tertiary| quaternary]
```

Syntax Description	login	Sets the administrative login authentication parameters for the WAAS device.
	local	Selects the local database method for the WAAS device.
	radius	Selects the RADIUS method for the WAAS device.
	tacacs	Selects the TACACS+ method for the WAAS device.
	windows-domain	Selects the Windows domain controller method for the WAAS device.
	enable	Enables the specified methods for the WAAS device.
	primary	(Optional) Specifies the first method that the WAAS device should use.
	secondary	(Optional) Specifies the second method that the WAAS device should use.
	tertiary	(Optional) Specifies the third method that the WAAS device should use if the primary and secondary methods fail.
	quaternary	(Optional) Specifies the fourth method that the WAAS device should use if the primary, secondary, and tertiary methods all fail.

Defaults The local authentication method is enabled by default.

Command Modes global configuration

Device Modes application-accelerator
central-manager

Usage Guidelines The **authentication** command configures both the authentication and authorization methods that govern login and configuration access to the WAAS device.



Note

We strongly recommend that you use the WAAS Central Manager GUI instead of the WAAS CLI to configure administrative login authentication and authorization for your WAAS devices, if possible. For information about how to use the WAAS Central Manager GUI to centrally configure administrative login authentication and authorization on a single WAE or group of WAEs, which are registered with a WAAS Central Manager, see the *Cisco Wide Area Application Services Configuration Guide*.

The **authentication login** command determines whether the user has any level of permission to access the WAAS device. The **authentication configuration** command authorizes the user with privileged access (configuration access) to the WAAS device.

The **authentication login local** and the **authentication configuration local** commands use a local database for authentication and authorization.

The **authentication login tacacs** and **authentication configuration tacacs** commands use a remote TACACS+ server to determine the level of user access. The WAAS software supports only TACACS+ and not TACACS or Extended TACACS.

To configure TACACS+, use the **authentication** and **tacacs** commands. To enable TACACS+, use the **tacacs enable** command. For more information on TACACS+ authentication, see the [\(config\) tacacs](#) command.

The **authentication login radius** and **authentication configuration radius** commands use a remote RADIUS server to determine the level of user access.

By default, the local method is enabled, with TACACS+ and RADIUS both disabled for login and configuration. Whenever TACACS+ and RADIUS are disabled the local method is automatically enabled. TACACS+, RADIUS, and local methods can be enabled at the same time.

The **primary** option specifies the first method to attempt for both login and configuration; the **secondary** option specifies the method to use if the primary method fails. The **tertiary** option specifies the method to use if both primary and secondary methods fail. The **quaternary** option specifies the method to use if the primary, secondary, and tertiary methods fail. If all methods of an **authentication login** or **authentication configuration** command are configured as primary, or all as secondary or tertiary, local is attempted first, then TACACS+, and then RADIUS.

Enforcing Authentication with the Primary Method

The **authentication fail-over server-unreachable** global configuration command allows you to specify that a failover to the secondary authentication method should occur only if the primary authentication server is unreachable. This feature ensures that users gain access to the WAAS device using the local database only when remote authentication servers (TACACS+ or RADIUS) are unreachable. For example, when a TACACS+ server is enabled for authentication with a user authentication failover configured and the user tries to log in to the WAAS device using an account defined in the local database, login fails. Login succeeds only when the TACACS+ server is unreachable.

You can configure multiple TACACS+ or RADIUS servers; authentication is attempted on the primary server first. If the primary server is unreachable, then authentication is attempted on the other servers in the TACACS+ or RADIUS farm, in order. If authentication fails for any reason other than a server is unreachable, authentication is not attempted on the other servers in the farm. This process applies regardless of the setting of the **authentication fail-over server-unreachable** command.

Login Authentication and Authorization Through the Local Database

Local authentication and authorization uses locally configured login and passwords to authenticate administrative login attempts. The login and passwords are local to each WAAS device and are not mapped to individual usernames.

By default, local login authentication is enabled first. You can disable local login authentication only after enabling one or more of the other administrative login authentication methods. However, when local login authentication is disabled, if you disable all other administrative login authentication methods, local login authentication is reenabled automatically.

Specifying RADIUS Authentication and Authorization Settings

To configure RADIUS authentication on a WAAS device, you must first configure a set of RADIUS authentication server settings on the WAAS device by using the **radius-server** global configuration command. (See the [\(config\) radius-server](#) command.)

Use the **authentication login radius** global configuration command to enable RADIUS authentication for normal login mode.

Use the **authentication configuration radius** global configuration command to enable RADIUS authorization.

To disable RADIUS authentication and authorization on a WAAS device, use the **no** form of the **authentication** global configuration command (for example, use the **no authentication login radius enable** command to disable RADIUS authentication).

Specifying TACACS+ Authentication and Authorization Settings

To configure TACACS+ authentication on WAAS devices, you must configure a set of TACACS+ authentication settings on the WAAS device by using the **tacacs** global configuration command. (See the [\(config\) tacacs](#) command.)

Server Redundancy

Authentication servers can be specified with the **tacacs host** or **radius-server host** global configuration commands. In the case of TACACS+ servers, the **tacacs host hostname** command can be used to configure additional servers. These additional servers provide authentication redundancy and improved throughput, especially when WAAS device load-balancing schemes distribute the requests evenly between the servers. If the WAAS device cannot connect to any of the authentication servers, no authentication takes place and users who have not been previously authenticated are denied access. Secondary authentication servers are queried in order only if the primary server is unreachable. If authentication fails for any other reason, alternate servers are not queried.

Specifying the Windows Domain Login Authentication

You can enable the Windows domain as an administrative login authentication and authorization method for a device or device group. Before you enable Windows authentication, you must first configure the Windows domain controller by using the **windows-domain wins-server** global configuration command. (See the [\(config\) windows-domain](#) command.)



Note

WAAS supports authentication by a Windows domain controller running only on Windows Server 2000 or Windows Server 2003.

Examples

The following example shows how to query the secondary authentication database if the primary authentication server is unreachable. This feature is referred to as the failover server-unreachable feature.

```
WAE(config)# authentication fail-over server-unreachable
```

If you enable the failover server-unreachable feature on the WAAS device, only two login authentication schemes (a primary and secondary scheme) can be configured on the WAAS device. The WAAS device fails over from the primary authentication scheme to the secondary authentication scheme only if the specified authentication server is unreachable.

To enable authentication privileges using the local, TACACS+, RADIUS, or Windows databases, and to specify the order of the administrative login authentication, use the **authentication login** global configuration command. In the following example, RADIUS is specified as the primary method, TACACS+ as the secondary method, Windows as the third method, and the local database as the fourth method. In this example, four login authentication methods are specified because the failover server-unreachable feature is not enabled on the WAAS device.

```
WAE(config)# authentication login radius enable primary
WAE(config)# authentication login tacacs enable secondary
WAE(config)# authentication login windows-domain enable tertiary
WAE(config)# authentication login local enable quaternary
```



Note If you enable the failover server unreachable feature on the WAAS device, make sure that you specify either **TACACS+** or **RADIUS** as the primary scheme for authentication, and specify **local** as the secondary scheme for authentication.

To enable authorization privileges using the local, TACACS+, RADIUS, or Windows databases, and to specify the order of the administrative login authorization (configuration), use the **authentication configuration** global configuration command.



Note Authorization privileges apply to console and Telnet connection attempts, secure FTP (SFTP) sessions, and Secure Shell (SSH, Version 1 and Version 2) sessions.

We strongly recommend that you set the administrative login authentication and authorization methods in the same order. For example, configure the WAAS device to use RADIUS as the primary login method, TACACS+ as the secondary login method, Windows as the tertiary method, and the local method as the quaternary method for both administrative login authentication and authorization.

The following example shows that RADIUS is specified as the primary method, TACACS+ as the secondary method, Windows as the third method, and the local database as the fourth method. In this example, four login authorization (configuration) methods are specified because the failover server-unreachable feature is not enabled on the WAAS device.

```
WAE(config)# authentication configuration radius enable primary
WAE(config)# authentication configuration tacacs enable secondary
WAE(config)# authentication configuration windows-domain enable tertiary
WAE(config)# authentication configuration local enable quaternary
```



Note If you enable the failover server unreachable feature on the WAAS device, make sure that you specify either **TACACS+** or **RADIUS** as the primary scheme for authorization (configuration), and specify **local** as the secondary scheme for authorization (configuration).

The following example shows the resulting output of the **show authentication** command:

```
WAE# show authentication user

Login Authentication:          Console/Telnet/Ftp/SSH Session
-----
local                          enabled (primary)
Windows domain                 enabled
Radius                         disabled
Tacacs+                        disabled
```

(config) authentication login

```
Configuration Authentication: Console/Telnet/Ftp/SSH Session
-----
local                enabled (primary)
Radius               disabled
Tacacs+              disabled
```

Related Commands

[\(config\) radius-server](#)
[show authentication](#)
[show statistics radius](#)
[show statistics tacacs](#)
[\(config\) tacacs](#)
[windows-domain](#)
[\(config\) windows-domain](#)

(config) authentication strict-password-policy

To activate the strong password policy on a WAAS device, use the **authentication strict-password-policy** global configuration command. To deactivate the strong password policy and use the standard password policy on a WAAS device, use the **no** form of this command.

authentication strict-password-policy [**max-retry-attempts** *number*]

no authentication strict-password-policy [**max-retry-attempts** *number*]

Syntax Description	max-retry-attempts <i>number</i>	Specifies the maximum number of failed login attempts allowed before the user is locked out. The range is 1–25; the default is 3.
---------------------------	---	---

Defaults The strong password policy is enabled on the WAAS device.

Command Modes global configuration

Device Modes application-accelerator
central-manager

Usage Guidelines When you enable the strong password policy, your user passwords must meet the following requirements:

- The password must be 8 to 31 characters long.
- The password can include both uppercase and lowercase letters (A–Z and a–z), numbers (0–9), and special characters including ~`!@#\$\$%^&*()_+=[\] ; , < / > .
- The password cannot contain all the same characters (for example, 99999).
- The password cannot contain consecutive characters (for example, 12345).
- The password cannot be the same as the username.
- Each new password must be different from the previous 12 passwords. User passwords expire within 90 days.
- The password cannot contain the characters ' " | (apostrophe, double quote, or pipe) or any control characters.
- The password cannot contain dictionary words.

When you disable the strong password policy, user passwords must meet the following requirements:

- The password must have 1 to 31 characters.
- The password can include both uppercase and lowercase letters (A–Z and a–z), and numbers (0–9).
- The password cannot contain the characters ' " | (apostrophe, double quote, or pipe) or any control characters.

**Note**

When you enable the strong password policy, existing standard-policy passwords will still work. However, these passwords are subject to expiration under the strong password policy.

Examples

The following example shows how to enable the strong password policy:

```
WAE(config)# authentication strict-password-policy
```

The following example shows how to enable the strong password policy and set the maximum retry attempts to 5:

```
WAE(config)# authentication strict-password-policy max-retry-attempts 5
```

The following example shows how to disable the strong password policy:

```
WAE(config)# no authentication strict-password-policy
```

Related Commands

[clear users](#)

[show authentication](#)

[\(config\) authentication configuration](#)

(config) auto-discovery

To configure a WAE to automatically discover origin servers (such as those servers behind firewalls) that cannot receive TCP packets with setup options and add these server IP addresses to a blacklist for a specified number of minutes, use the **auto-discovery** global configuration command. To disable auto-discovery, use the **no** form of this command.

auto-discovery blacklist { **enable** | **hold-time** *minutes* }

no auto-discovery blacklist { **enable** | **hold-time** *minutes* }

Syntax Description		
blacklist	Specifies the TFO auto-discovery blacklist server configuration.	
enable	Enables the TFO auto-discovery blacklist operation.	
hold-time <i>minutes</i>	Specifies the maximum time to hold the blacklisted server address in the cache. The range is 1–10080 minutes. The default is 60 minutes.	

Defaults The default auto-discovery blacklist hold time is 60 minutes.

Command Modes global configuration

Device Modes application-accelerator

Usage Guidelines Use the **auto-discovery blacklist hold-time** command to adjust the blacklist hold time for the TFO auto-discovery feature. With auto-discovery, the WAE keeps track of origin servers (such as those servers behind firewalls) that cannot receive TCP packets with options and learns not to send out TCP packets with options to these blacklisted servers. When a server IP address is added to the blacklist, it remains on the blacklist for the configured number of minutes. After the hold time expires, subsequent connection attempts will again include TCP options so that the WAE can redetermine if the server can receive them. Resending TCP options periodically is useful because network packet loss could cause a server to be blacklisted erroneously.

Examples The following example shows how to enable TFO auto-discovery blacklist using the **auto-discovery** command:

```
WAE(config)# auto-discovery blacklist enable
```

Related Commands [show statistics auto-discovery](#)

(config) auto-register

To enable the discovery of a Fast Ethernet or Gigabit Ethernet WAE and its automatic registration with the WAAS Central Manager through the Dynamic Host Configuration Protocol (DHCP), use the **auto-register** global configuration command. To disable the autoregistration feature on a WAE, use the **no** form of this command.

auto-register enable [**FastEthernet** *slot/port* | **GigabitEthernet** *slot/port*]

no auto-register enable [**FastEthernet** *slot/port* | **GigabitEthernet** *slot/port*]

Syntax Description	enable	Enables the automatic registration of devices using DHCP with the WAAS Central Manager.
	FastEthernet <i>slot/port</i>	(Optional) Selects a Fast Ethernet interface for automatic registration using DHCP. Slot number and port number of the Fast Ethernet interface. Valid slot values are from 0 to 3.
	GigabitEthernet <i>slot/port</i>	(Optional) Selects a Gigabit Ethernet interface for automatic registration using DHCP. Slot number and port number of the Gigabit Ethernet interface. Valid slot values are 1 or 2.

Defaults Automatic registration using DHCP is enabled on a WAE by default.

Command Modes global configuration

Device Modes application-accelerator

Usage Guidelines Autoregistration automatically configures network settings and registers WAEs with the WAAS Central Manager. On bootup, devices that run the WAAS software (with the exception of the WAAS Central Manager) automatically discover the WAAS Central Manager and register with it. You do not have to do any manual configuration on the device. Once the WAE is registered, you can approve the device and configure it remotely using the WAAS Central Manager GUI.

You can use the **auto-register enable** command to allow a Fast Ethernet or Gigabit Ethernet WAE to discover the hostname of the WAAS Central Manager through DHCP and to automatically register the device with the WAAS Central Manager. Discovery and registration occur at bootup.



Note

You must disable autoregistration when both device interfaces are configured as port-channel interfaces.

For autoregistration to work, you must have a DHCP server that is configured with the hostname of the WAAS Central Manager and that is capable of handling vendor class option 43.



Note

The DHCP that is used for autoregistration is *not* the same as the interface-level DHCP that is configurable through the **ip address dhcp** interface configuration command.

To assign a static IP address using the **interface GigabitEthernet *slot/port*** command, you must first disable the automatic registration of devices through DHCP by using the **no auto-register enable** command.

Examples

The following example shows how to enable autoregistration on GigabitEthernet port 2/0:

```
WAE(config)# auto-register enable GigabitEthernet 2/0
```

The following example shows how to disable autoregistration on all configured interfaces on the WAE:

```
WAE(config)# no auto-register enable
```

Related Commands

[show auto-register](#)
[show running-config](#)
[show startup-config](#)

(config) banner

To configure the EXEC, login, and message-of-the-day (MOTD) banners, use the **banner** global configuration command. To disable the banner feature, use the **no** form of this command.

```
banner {enable | {{exec | login | motd} [message text]}}
```

```
no banner {enable | {{exec | login | motd} [message text]}}
```

Syntax Description

enable	Enables banner support on the WAE.
exec	Configures an EXEC banner.
message text	(Optional) Specifies a message to be displayed when an EXEC process is created. The message text is on a single line (980 characters maximum). The WAE translates the \n portion of the message to a new line when the banner is displayed to the user.
login	Configures a login banner.
motd	Configures an MOTD banner.

Defaults

Banner support is disabled by default.

Command Modes

global configuration

Usage Guidelines

The **message** keyword is optional. If you enter a carriage return without specifying the **message** keyword, you will be prompted to enter your message text. For message text on one or more lines, press the **Return** key or enter delimiting characters (\n) to specify a message to appear on a new line. You can enter up to a maximum of 980 characters, including new-line characters (\n). Enter a period (.) at the beginning of a new line to save the message and return to the prompt for the global configuration mode.



Note

The EXEC banner content is obtained from the command-line input that you enter when prompted for the input.

After you configure the banners, enter the **banner enable** global configuration command to enable banner support on the appliance. Enter the **show banner** EXEC command to display information about the configured banners.



Note

When you run an SSH version 1 client and log in to the WAE, the MOTD and login banners are not displayed. You need to use SSH version 2 to display the banners when you log in to the WAE.

Examples

The following example shows how to use the **banner motd message** global configuration command to configure the MOTD banner. In this example, the MOTD message consists of a single line of text.

```
WAE(config)# banner motd message This is a WAAS 4.0.7 device
```


The following example shows how to use the **banner motd message** global command to configure a MOTD message that is longer than a single line. In this case, the WAE translates the \n portion of the message to a new line when the MOTD message is displayed to the user.

```
WAE(config)# banner motd message "This is the motd message.
\nThis is a WAAS 4.0.7 device\n"
```

The following example shows how to use the **banner login message** global configuration command to configure a login message that is longer than a single line. In this case, WAE translates the \n portion of the message to a new line in the login message that is displayed to the user.

```
WAE(config)# banner login message "This is login banner.
\nUse your password to login\n"
```

The following example shows how to enable banner support:

```
WAE(config)# banner enable
```

The following example shows how to use the **banner exec** global configuration command to configure an interactive banner. The **banner exec** command is similar to the **banner motd message** commands except that for the **banner exec** command, the banner content is obtained from the command-line input that the user enters after being prompted for the input.

```
WAE(config)# banner exec
Please type your MOTD messages below and end it with '.' at beginning of line:
(plain text only, no longer than 980 bytes including newline)
This is the EXEC banner.\nUse your WAAS username and password to log in to this WAE.\n
.
Message has 99 characters.
WAE(config)#
```

Assume that a WAE has been configured with the MOTD, login, and EXEC banners as shown in the previous examples. When a user uses an SSH session to log in to the WAE, the user will see a login session that includes a MOTD banner and a login banner that asks the user to enter a login password as follows:

```
This is the motd banner.
This is a WAAS 4.0.7 device
This is login banner.
Use your password to login.

Cisco Wide Area Application Services Engine

admin@wae's password:
```

After the user enters a valid login password, the EXEC banner is displayed, and the user is asked to enter the WAAS username and password as follows:

```
Last login: Fri Oct 1 14:54:03 2004 from client
System Initialization Finished.
This is the EXEC banner.
Use your WAAS username and password to log in to this WAE.
```

After the user enters a valid WAAS username and password, the WAE CLI is displayed. The CLI prompt varies depending on the privilege level of the login account. In the following example, because the user entered a username and password that had administrative privileges (privilege level of 15), the EXEC mode CLI prompt is displayed:

```
WAE#
```

■ (config) banner

Related Commands [show banner](#)

(config) bypass

To configure static bypass lists on a WAE, use the **bypass** global configuration command. To disable the bypass feature (clear the static bypass lists), use the **no** form of this command.

```
bypass static { clientip | any-client } { serverip | any-server }
```

```
no bypass static { clientip | any-client } { serverip | any-server }
```

Syntax Description

static	Adds a static entry to the bypass list.
<i>clientip</i>	Requests from this IP address bypass the WAE.
any-client	Bypasses the traffic from any client destined to a particular server.
<i>serverip</i>	Requests from this IP address bypass the WAE.
any-server	Requests from a specified client to any server bypass the WAE.

Defaults

No default behaviors or values.

Command Modes

global configuration

Device Modes

application-accelerator

Usage Guidelines

The **bypass static** command permits traffic from specified sources to bypass the WAE. Wildcards in either the client or server IP addresses are not supported.



Note

We recommend that you use IP access lists on the WCCP-enabled router or an interception access list on the WAE, rather than using the static bypass feature, because access lists are more flexible and give better statistics about passed-through connections.

A static bypass list is mutually exclusive with an interception ACL (configured by the **interception access-list** global configuration command). If you have configured an interception ACL, you must remove it before using this command.

Examples

The following example shows how to force traffic from a specified client to a specified server to bypass the WAE:

```
WAE(config)# bypass static 10.1.17.1 172.16.7.52
```

The following example shows how to force all traffic destined to a specified server to bypass the WAE:

```
WAE(config)# bypass static any-client 172.16.7.52
```

The following example shows how to force all traffic from a specified client to any file server to bypass the WAE:

```
WAE(config)# bypass static 10.1.17.1 any-server
```

A static list of source and destination addresses helps to isolate instances of problem-causing clients and servers. To display static configuration list items, use the **show bypass list** command as follows:

```
WAE# show bypass list
Client          Server          Entry type
-----
10.1.17.1:0     172.16.7.52:0  static-config
any-client:0    172.16.7.52:0  static-config
10.1.17.2:0    any-server:0    static-config
```

Related Commands

[show bypass](#)

[\(config\) interception access-list](#)

(config) cdp

To configure the Cisco Discovery Protocol (CDP) options globally on all WAAS device interfaces, use the **cdp** global configuration command. To disable CDP, use the **no** form of this command.

cdp { **enable** | **holdtime** *seconds* | **timer** *seconds* }

no cdp { **enable** | **holdtime** *seconds* | **timer** *seconds* }

Syntax Description	enable	Enables CDP globally.
	holdtime <i>seconds</i>	Sets the length of time in seconds (10–255) that a receiver keeps CDP packets before they are discarded. The default is 180 seconds.
	timer <i>seconds</i>	Interval between the CDP advertisements in seconds (5–254). The default is 60 seconds.

Defaults

holdtime: 180 seconds
timer: 60 seconds

Command Modes global configuration

Device Modes application-accelerator
 central-manager

Examples The following example shows that when CDP is first enabled, the hold time is set to 10 seconds for keeping CDP packets, and then the rate at which CDP packets are sent (15 seconds) is set:

```
WAE(config)# cdp enable
WAE(config)# cdp holdtime 10
WAE(config)# cdp timer 15
```

Related Commands

- [\(config-if\) cdp](#)
- [clear arp-cache](#)
- [show cdp](#)

(config) central-manager

To specify the WAAS Central Manager role and port number, use the **central-manager** global configuration command in central-manager device mode. To specify the IP address or hostname of the WAAS Central Manager with which a WAE is to register, use the **central-manager** global configuration command in application-accelerator device mode. To negate these actions, use the **no** form of this command.

```
central-manager {address {hostname | ip-address} | role {primary | standby} | ui port port-num}
```

```
no central-manager {address {hostname | ip-address} | role {primary | standby} | ui port port-num}
```

Syntax Description

address	Specifies the hostname or IP address of the WAAS Central Manager with which the WAE should register.
<i>hostname</i>	Hostname of the WAAS Central Manager with which the WAE should register.
<i>ip-address</i>	IP address of the WAAS Central Manager with which the WAE should register.
role	Configures the WAAS Central Manager role to either primary or standby.
primary	Configures the WAAS Central Manager to be the primary WAAS Central Manager for the WAEs that are registered with it.
standby	Configures the WAAS Central Manager to be the standby WAAS Central Manager for the WAEs that are registered with it.
ui	Configures the WAAS Central Manager GUI port address.
port <i>port-num</i>	Configures the WAAS Central Manager GUI port (1–65535). The default is port 8443.



Note

The **address** option works in the application-accelerator device mode only. The **role** and **ui port** options work in the central-manager device mode only.

Defaults

The WAAS Central Manager GUI is preconfigured to use port 8443.

Command Modes

global configuration

Device Modes

application-accelerator
central-manager

Examples

The following example shows how to specify that the WAAS device named waas-cm is to function as the primary WAAS Central Manager for the WAAS network:

```
waas-cm(config)# central-manager role primary
```

The following example shows how to specify that the WAE should register with the WAAS Central Manager that has an IP address of 10.1.1.1. This command associates the WAE with the primary WAAS Central Manager so that the WAE can be approved as a part of the WAAS network.

```
WAE(config)# central-manager address 10.1.1.1
```

The following example shows how to configure a new GUI port to access the WAAS Central Manager GUI:

```
WAE(config)# central-manager ui port 8550
```

The following example shows how to configure the WAAS Central Manager as the standby WAAS Central Manager:

```
WAE(config)# central-manager role standby
```

```
Switching CDM to standby will cause all configuration settings made on this CDM to be lost.
```

```
Please confirm you want to continue [no]?yes
```

```
Restarting CMS services
```

(config) clock

To set the summer daylight saving time and time zone for display purposes, use the **clock** global configuration command. To disable this function, use the **no** form of this command.

```
clock { timezone timezone hoursoffset [minutesoffset] } |
summertime timezone { date startday startmonth startyear starthour endday endmonth
endyear offset | recurring { 1-4 startweekday startmonth starthour endweekday endmonth
endhour offset | first startweekday startmonth starthour endweekday endmonth endhour
offset | last startweekday startmonth starthour endweekday endmonth endhour offset }
```

```
no clock { timezone timezone hoursoffset [minutesoffset] } |
summertime timezone { date startday startmonth startyear starthour endday endmonth
endyear offset | recurring { 1-4 startweekday startmonth starthour endweekday endmonth
endhour offset | first startweekday startmonth starthour endweekday endmonth endhour
offset | last startweekday startmonth starthour endweekday endmonth endhour offset }
```

Syntax Description	
timezone <i>timezone</i>	Configures the name of the standard time zone and hours offset from UTC (–23 to +23). See “Usage Guidelines” section tables.
<i>hoursoffset</i>	
<i>minutesoffset</i>	(Optional) Minutes offset (see the table below in the “Usage Guidelines” section) from UTC (0–59).
summertime <i>timezone</i>	Configures the name of the summer or daylight saving time zone.
date	Configures the absolute summer time.
<i>startday</i>	Date (1–31) to start.
<i>startmonth</i>	Month (January through December) to start.
<i>startyear</i>	Year (1993–2032) to start.
<i>starthour</i>	Hour (0–23) to start in hour:minute (hh:mm) format.
<i>endday</i>	Date (1–31) to end.
<i>endmonth</i>	Month (January through December) to end.
<i>endyear</i>	Year (1993–2032) to end.
<i>endhour</i>	Hour (0–23) to end in hour:minute (hh:mm) format.
<i>offset</i>	Minutes offset (see the table below in the “Usage Guidelines” section) from UTC (0–59).
recurring	Configures the recurring summer time.
1-4	Configures the starting week number 1–4.
<i>startweekday</i>	Day of the week (Monday–Friday) to start.
<i>endweekday</i>	Weekday (Monday–Friday) to end.
first	Configures the summer time to recur beginning the first week of the month.
last	Configures the summer time to recur beginning the last week of the month.

Defaults No default behavior or values.

Command Modes global configuration

Device Modes

application-accelerator
central-manager

Usage Guidelines

To set and display the local and UTC current time of day without an NTP server, use the **clock timezone** command with the **clock set** command. The **clock timezone** parameter specifies the difference between UTC and local time, which is set with the **clock set EXEC** command. The UTC and local time are displayed with the **show clock detail EXEC** command.

**Note**

Unexpected time changes can result in unexpected system behavior. We recommend reloading the system after changing the system clock.

Use the **clock timezone offset** command to specify a time zone, where *timezone* is the desired time zone entry listed in the table below and *0 0* is the offset (ahead or behind) UTC is in hours and minutes. (UTC was formerly known as Greenwich mean time [GMT]).

```
WAE(config)# clock timezone timezone 0 0
```

**Note**

The time zone entry is case sensitive and must be specified in the exact notation listed in [Table 3-1](#). When you use a time zone entry from the time zone table, the system is automatically adjusted for daylight saving time.

Table 3-1 Time Zone—Offsets from UTC

Time Zone	Offset from UTC
Africa/Algiers	+1
Africa/Cairo	+2
Africa/Casablanca	0
Africa/Harare	+2
Africa/Johannesburg	+2
Africa/Nairobi	+3
America/Buenos_Aires	-3
America/Caracas	-4
America/Mexico_City	-6
America/Lima	-5
America/Santiago	-4
Atlantic/Azores	-1
Atlantic/Cape_Verde	-1
Asia/Almaty	+6
Asia/Baghdad	+3
Asia/Baku	+4
Asia/Bangkok	+7
Asia/Colombo	+6

Table 3-1 Time Zone—Offsets from UTC (continued)

Time Zone	Offset from UTC
Asia/Dacca	+6
Asia/Hong_Kong	+8
Asia/Irkutsk	+8
Asia/Jerusalem	+2
Asia/Kabul	+4.30
Asia/Karachi	+5
Asia/Katmandu	+5.45
Asia/Krasnoyarsk	+7
Asia/Magadan	+11
Asia/Muscat	+4
Asia/New Delhi	+5.30
Asia/Rangoon	+6.30
Asia/Riyadh	+3
Asia/Seoul	+9
Asia/Singapore	+8
Asia/Taipei	+8
Asia/Tehran	+3.30
Asia/Vladivostok	+10
Asia/Yekaterinburg	+5
Asia/Yakutsk	+9
Australia/Adelaide	+9.30
Australia/Brisbane	+10
Australia/Darwin	+9.30
Australia/Hobart	+10
Australia/Perth	+8
Australia/Sydney	+10
Canada/Atlantic	-4
Canada/Newfoundland	-3.30
Canada/Saskatchewan	-6
Europe/Athens	+2
Europe/Berlin	+1
Europe/Bucharest	+2
Europe/Helsinki	+2
Europe/London	0
Europe/Moscow	+3
Europe/Paris	+1

Table 3-1 Time Zone—Offsets from UTC (continued)

Time Zone	Offset from UTC
Europe/Prague	+1
Europe/Warsaw	+1
Japan	+9
Pacific/Auckland	+12
Pacific/Fiji	+12
Pacific/Guam	+10
Pacific/Kwajalein	-12
Pacific/Samoa	-11
US/Alaska	-9
US/Central	-6
US/Eastern	-5
US/East-Indiana	-5
US/Hawaii	-10
US/Mountain	-7
US/Pacific	-8

Examples

The following example shows how to specify the local time zone as Pacific Standard Time with an offset of 8 hours behind UTC:

```
WAE(config)# clock timezone US/Pacific -8 0
```

The following example shows how to negate the time zone setting on the WAAS device:

```
WAE(config)# no clock timezone
```

The following example shows how to configure daylight saving time:

```
WAE(config)# clock summertime US/Pacific date 10 October 2005 23:59 29 April 2006 23:59 60
```

Related Commands

[clock](#)

[show clock](#)

(config) cms

To schedule maintenance and enable the Centralized Management System (CMS) on a WAAS device, use the **cms** global configuration command. To negate these actions, use the **no** form of this command.

```
cms {database maintenance {full {enable | schedule weekday at time}} |
    regular {enable | schedule weekday at time}} | enable
```

```
no cms {database maintenance {full {enable | schedule weekday at time}} |
    regular {enable | schedule weekday at time}} | enable
```

```
cms rpc timeout {connection 5-1800 | incoming-wait 10-600 | transfer 10-7200}
```

```
no cms rpc timeout {connection 5-1800 | incoming-wait 10-600 | transfer 10-7200}
```

Syntax Description	
database maintenance	Configures the embedded database clean or reindex maintenance routine.
full	Configures the full maintenance routine and cleans the embedded database tables.
enable	Enables the specified routine or process to be performed on the embedded database tables.
schedule weekday	Sets the schedule for performing the maintenance routine to a day of the week. every-day Every day Mon every Monday Tue every Tuesday Wed every Wednesday Thu every Thursday Fri every Friday Sat every Saturday Sun every Sunday
at time	Sets the maintenance schedule time of day to start the maintenance routine (0–23:0–59) (hh:mm). at Maintenance time of day Mon every Monday Tue every Tuesday Wed every Wednesday Thu every Thursday Fri every Friday Sat every Saturday Sun every Sunday
regular	Configures the regular maintenance routine and reindexes the embedded database tables.
rpc timeout	Configures the timeout values for remote procedure call connections.
connection 5-1800	Specifies the maximum time to wait when making a connection. The timeout period is in seconds. The default for the WAAS Central Manager is 30 seconds; the default for a WAE is 180 seconds.

incoming-wait <i>10-600</i>	Specifies the maximum time to wait for a client response. The timeout period is in seconds. The default is 30 seconds.
transfer <i>10-7200</i>	Specifies the maximum time to allow a connection to remain open. The timeout period is in seconds. The default is 300 seconds.

Defaults

database maintenance regular: enabled
database maintenance full: enabled
connection: 30 seconds for WAAS Central Manager; 180 seconds for a WAE
incoming wait: 30 seconds
transfer: 300 seconds

Command Modes

global configuration

Device Modes

application-accelerator
central-manager

Usage Guidelines

Use the **cms database maintenance** global configuration command to schedule routine full maintenance cleaning (vacuuming) or a regular maintenance reindexing of the embedded database. The full maintenance routine runs only when the disk is more than 90 percent full and only runs once a week. Cleaning the tables returns reusable space to the database system.

The **cms enable** global configuration command automatically registers the node in the database management tables and enables the CMS process. The **no cms enable** global configuration command only stops the management services on the WAAS device. Use the **cms deregister EXEC** command to de-register (remove) a WAAS device from the WAAS network.

Examples

The following example shows how to schedule a regular (reindexing) maintenance routine to start every Friday at 11:00 p.m on the WAAS device:

```
WAE(config)# cms database maintenance regular schedule Fri at 23:00
```

The following example shows how to enable the CMS process on a WAAS device:

```
WAE(config)# cms enable
Generating new RPC certificate/key pair
Restarting RPC services

Creating database backup file emerg-debug-db-01-25-2006-15-31.dump
Registering Wide Area Central Manager...
Registration complete.
Please preserve running configuration using 'copy running-config startup-config'.
Otherwise management service will not be started on reload and node will be shown
'offline' in Wide Area Central Manager UI.
management services enabled
```

■ (config) cms

Related Commands [cms](#)
 [show cms](#)

(config) crypto pki

To configure public key infrastructure (PKI) encryption parameters on a WAAS device, use the **crypto pki** global configuration command. To negate these actions, use the **no** form of this command.

crypto pki { **ca** *certificate-authority-name* | **global-settings** }

Syntax Description		
ca		Configures encryption certificate authority information. Using this command enables certificate authority configuration mode. See PKI Certificate Authority Configuration Mode Commands, page -725 .
<i>certificate-authority-name</i>		The name of the certificate authority that you want to edit.
global-settings		Configures PKI encryption global settings. Using this command enables PKI global settings configuration mode. See PKI Certificate Authority Configuration Mode Commands, page -725 .

Defaults No default behavior or values.

Command Modes global configuration

Device Modes application-accelerator
central-manager

Usage Guidelines Use the **crypto pki** global configuration command to enter CA configuration mode or PKI global settings configuration mode.

Examples The following example puts WAAS into CA configuration mode, editing the “my-ca” certification authority. The mode change is indicated by the system prompt:

```
WAE(config)# crypto pki my-ca
WAE(config-ca)#
```

Related Commands [\(config\) crypto ssl](#)
[\(config-ca\) ca-certificate](#)
[\(config-ca\) description](#)
[\(config-ca\) revocation-check](#)

(config) crypto ssl

To configure secure sockets layer (SSL) encryption parameters on a WAAS device, use the **crypto ssl** global configuration command. To negate these actions, use the **no** form of this command.

```
crypto ssl { cipher-list cipher-list-name | management-service |
  services { accelerated-service service-name | global-settings | host-service peering } }
```

```
no crypto ssl { cipher-list cipher-list-name | management-service |
  services { accelerated-service service-name | global-settings | host-service peering } }
```

Syntax Description

cipher-list <i>cipher-list-name</i>	Configures the SSL cipher suite list. Using this command enables SSL cipher list configuration mode. See the SSL Cipher List Configuration Mode Commands chapter.
management-service	Configures SSL management services. Using this command enables SSL management service configuration mode. See the SSL Management Service Configuration Mode Commands chapter.
services	Configures other SSL services (accelerated, global, and host peering).
accelerated-service <i>service-name</i>	Configures SSL accelerated services. Using this command enables SSL accelerated service configuration mode. See the SSL Accelerated Service Configuration Mode Commands chapter.
global-settings	Configures SSL service global settings. Using this command enables SSL service global configuration mode. See the SSL Global Service Configuration Mode Commands chapter.
host-service peering	Configures SSL host peering services. Using this command enables SSL host peering service configuration mode. See the SSL Host Peering Service Configuration Mode Commands chapter.

Defaults

No default behavior or values.

Command Modes

global configuration

Device Modes

application-accelerator
central-manager

Usage Guidelines

Use the **crypto ssl** global configuration command to enter SSL cipher list configuration mode, SSL management service configuration mode, SSL accelerated service configuration mode, SSL service global configuration mode, or SSL host peering service configuration mode.

Examples

The following example puts the WAAS device into SSL cipher list configuration mode, editing the mylist cipher suite list. The mode change is indicated by the system prompt:


```
WAE(config)# crypto ssl cipher-list mylist  
WAE(config-cipher-list)#
```

The following example puts the WAAS device into SSL management service configuration mode. The mode change is indicated by the system prompt:

```
WAE(config)# crypto ssl management-service  
WAE(config-ssl-mgmt)#
```

The following example puts the WAAS device into SSL accelerated service configuration mode, editing the myservice accelerated service. The mode change is indicated by the system prompt:

```
WAE(config)# crypto ssl services accelerated-service myservice  
WAE(config-ssl-accelerated)#
```

The following example puts the WAAS device into SSL global service configuration mode. The mode change is indicated by the system prompt:

```
WAE(config)# crypto ssl services global-settings  
WAE(config-ssl-global)#
```

The following example puts the WAAS device into SSL host peering service configuration mode. The mode change is indicated by the system prompt:

```
WAE(config)# crypto ssl services host-service peering  
WAE(config-ssl-peering)#
```

Related Commands [\(config\) crypto pki](#)

(config) device mode

To configure the device mode for the WAAS device, use the **device mode** global configuration command. To reset the mode of operation on your WAAS device, use the **no** form of this command.

device mode { **application-accelerator** | **central-manager** }

no device mode { **application-accelerator** | **central-manager** }

Syntax Description

application-accelerator	Configures the WAAS device to function as a WAAS Accelerator. All of your branch and data center WAEs should be operating in this mode.
central-manager	Configures the WAAS device to function as a WAAS Central Manager.

Defaults

The default device operation mode is application-accelerator.

Command Modes

global configuration

Device Modes

application-accelerator
central-manager

Usage Guidelines

If the WAAS device is operating with an Accelerator only image, you will not be able to convert it to central-manager mode until after you update it with a Full image and reboot. You can use the **show version EXEC** command to check the type of software image the WAE is running.

Examples

The following example shows how to specify central manager as the device mode of a WAAS device:

```
WAE(config)# device mode central-manager
```

The following example shows how to specify application accelerator as the device mode of a WAAS device:

```
WAE(config)# device mode application-accelerator
```

To change the device mode from central-manager to application-accelerator, you must first use the **cms deregister** command in EXEC mode to disable the Centralized Management System on the Central Manager, and then use the **device mode** command in global configuration mode, as shown in the following example:

```
WAE# cms deregister
WAE(config)# device mode application-accelerator
WAE# copy running-config startup-config
```

Related Commands [show device-mode](#)

(config) directed-mode

To configure the mode by which traffic is sent between two WAEs, use the **directed-mode** global configuration command. To configure the WAAS device not to use directed mode, use the **no** form of this command.

directed-mode enable [*port udp-port*]

no directed-mode enable [*port udp-port*]

Syntax Description	enable	Enables directed mode.
	port <i>udp-port</i>	Sets the UDP port number to use to send traffic between two WAEs. The default port is 4050.

Defaults The default communication mode to a peer WAE is transparent mode (not directed mode).

Command Modes global configuration

Device Modes application-accelerator

Examples The following example shows how to configure a WAE for directed mode on the default UDP port of 4050:

```
WAE(config)# directed-mode enable
```

Related Commands

- [show statistics auto-discovery](#)
- [show statistics connection closed](#)

(config) disk disk-name

To disable the disk for online removal, use the **disk disk-name** global configuration command. To reenble the disk, use the **no** form of this command.

disk disk-name diskxx shutdown [force]

no disk disk-name diskxx shutdown [force]

Syntax Description	
<i>diskxx</i>	Name of the disk (disk00-disk05).
shutdown	Disables the disk for maintenance.
force	(Optional) Forces a disk to be reenbled when used with the no form of this command. This option is not available on RAID-5 systems.

Defaults Disks are enabled.

Command Modes global configuration

Device Modes application-accelerator
central-manager

Usage Guidelines This command is not available on the WAE-7341 and WAE-7371 models. Instead, use the **disk disk-name diskxx replace EXEC** mode command.

You can replace a failed disk or perform a scheduled disk maintenance on the WAE-612 and WAE-7326. Use the **disk disk-name diskxx shutdown** global configuration command to manually shut down a disk for a scheduled disk maintenance, or on the WAE-7341 and WAE-7371, use the **disk disk-name diskxx replace EXEC** command to manually shut down a disk for scheduled disk maintenance. (For the schedule disk maintenance procedure, see the *Cisco Wide Area Application Services Configuration Guide*, Chapter 14.)



Note

The **show disks failed-disk-id EXEC** command is not available on WAE-7341 and WAE-7371 models.

Examples The following example shows how to disable disk00 for online removal using the **disk disk-name** command:

```
WAE(config)# disk disk-name disk00 shutdown
```

Related Commands [\(config\) disk error-handling](#)

■ (config) disk disk-name

(config) disk logical shutdown

disk

show disks

(config) disk encrypt

To enable disk encryption, use the **disk encrypt** global configuration command. To disable disk encryption, use the **no** form of this command.

disk encrypt enable

no disk encrypt enable

Syntax Description This command has no arguments or keywords.

Defaults Disk encryption is disabled by default.

Command Modes global configuration

Device Modes application-accelerator

Usage Guidelines To view the encryption status details, use the **show disks details EXEC** command. While the file system is initializing, you will see the following message: “system initialization is not finished, please wait...” You may also view the disk encryption status to check whether a disk is enabled or disabled in the Central Manager GUI, Device Home window.

Examples The following example shows how to enable disk encryption using the **disk encrypt** command:

```
WAE(config)# disk encrypt enable
```

Related Commands [disk](#)
[show disks](#)

(config) disk error-handling

To configure how disk errors are handled on a WAAS device, use the **disk error-handling** global configuration command. To disable automatic remapping of disk errors, use the **no** form of this command.

disk error-handling remap

no disk error-handling remap

Syntax Description	remap Sets the disk to attempt to remap disk errors automatically.
Defaults	The disk is configured to remap disk errors automatically.
Command Modes	global configuration
Device Modes	application-accelerator central-manager
Examples	The following example shows how to disable automatic remapping of disk errors: <pre>WAE(config)# no disk error-handling remap</pre>
Related Commands	disk show disks

(config) disk logical shutdown

To shut down the RAID-5 logical disk drive, use the **disk logical shutdown** global configuration command. To reenale the RAID-5 logical disk drive, use the **no** form of this command.

disk logical shutdown

no disk logical shutdown [force]

Syntax Description	force	(Optional) Forces RAID Logical drive to be reenabled when used with the no form of this command.
--------------------	-------	---

Defaults	The RAID-5 array is configured by default.
----------	--

Command Modes	global configuration
---------------	----------------------

Device Modes	application-accelerator
--------------	-------------------------

Usage Guidelines	<p>This command is supported on WAE-7341, WAE-7371, and WAE-674 models only.</p> <p>Use this command to operate the WAE in diskless mode. In diskless mode, the partitions and disks are not mounted and cannot be used.</p> <p>You must reload the device for this command to take effect.</p> <p>After a multiple disk failure or RAID controller failure, and after the drives are replaced and the RAID disk is rebuilt, the logical disk may remain in the error state. To reenale the disk, use the no disk logical shutdown force command, then reload the WAE.</p>
------------------	---

Examples	The following example shows how shutdown the RAID-5 logical disk drive using the disk logical shutdown command:
----------	--

```
WAE(config)# disk logical shutdown
```

Related Commands	(config) disk disk-name
------------------	---

(config) disk object-cache extend

To enable extended object cache, use the **disk object-cache** global configuration command. To disable this feature, use the **no** form of this command.

disk object-cache extend

no disk object-cache extend

Syntax Description This command has no arguments or keywords.

Command Default No default behavior or values.

Command Modes global configuration

Device Modes application-accelerator

Usage Guidelines When extended object cache is enabled, the object cache space is increased only after saving the configuration and performing a reload.



Note

If you have a virtual blade enabled using vspace of greater than 30-GB, you must stop the virtual blade and remove the configuration before enabling extended object cache. If the virtual blade usage is less than 30-GB (including saved memory state) vspace content will be preserved, otherwise vspace content will be erased. In either case, after enabling extended object cache, the vspace filesystem will be reduced to 30-GB if virtual blade is enabled.

The status of extended object cache can be displayed using the **show disk details EXEC** mode command. The output of this command states whether extended object cache is enabled or disabled.

This feature is only supported on 674-4G and 674-8G models.

Examples The following example shows how to enable extended object cache using the **disk object-cache extend** command on a 674-4GB model:

```
WAE(config)# disk object-cache extend
Cumulative disk space for all VBs will be reduced to 30GB.
Are you sure want to enable [yes/no]?
```

Related Commands [\(config\) disk logical shutdown](#)

(config) egress-method

To configure the egress method for intercepted connections, use the **egress-method** global configuration command. To unconfigure the egress method, use the **no** form of this command.

```
egress-method { ip-forwarding | negotiated-return | generic-gre } intercept-method wccp
```

```
no egress-method { ip-forwarding | negotiated-return | generic-gre } intercept-method wccp
```

Syntax Description		
ip-forwarding		Configures the IP forwarding egress method.
negotiated-return		Configures the WCCP negotiated return egress method.
generic-gre		Configures the generic GRE egress method.
intercept-method		Chooses for which interception method the egress method is being configured.
wccp		Configures the egress method for WCCP interception.

Defaults The default egress method is IP forwarding.

Command Modes global configuration

Device Modes application-accelerator

Examples The following example shows how to configure the interception and egress method for WCCP GRE packet return from the CLI:

```
WAE(config)# egress-method negotiated-return intercept-method wccp
```

The following example shows how to configure the interception and egress method for IP forwarding from the CLI:

```
WAE(config)# egress-method ip-forwarding intercept-method wccp
```

The following example shows how to configure the interception and egress method for the generic GRE egress method from the CLI by configuring an intercepting router list, and then configuring the generic GRE egress method:

```
WAE(config)# wccp router-list 1 192.168.68.98  
WAE(config)# egress-method generic-gre intercept-method wccp
```

The router list must contain the IP address of each intercepting router. Multicast addresses are not supported. Additionally, you must configure a GRE tunnel interface on each router.

To view the egress method that is configured and that is being used on a particular WAE, use the **show egress-methods EXEC** command or the **show statistics connection egress-methods EXEC** command.

To view information about the generic GRE egress method, use the **show generic-gre EXEC** command. To clear statistics information for the generic GRE egress method, use the **clear statistics generic-gre EXEC** command.

Related Commands

[clear arp-cache](#)
[debug egress-method](#)
[show egress-methods](#)
[show tfo tcp](#)
[\(config\) wcep tcp-promiscuous mask](#)

(config) end

To exit global configuration mode, use the **end** global configuration command.

end

Syntax Description This command has no arguments or keywords.

Defaults No default behavior or values.

Command Modes global configuration

Device Modes application-accelerator
central-manager

Usage Guidelines Use the **end** command to exit global configuration mode after completing any changes to the running configuration. To save new configurations to NVRAM, use the **write** command.
In addition, you can press **Ctrl-Z** to exit global configuration mode.

Examples The following example shows how to exit global configuration mode on a WAAS device:

```
WAE(config)# end
WAE#
```

Related Commands [\(config\) exit](#)

(config) exec-timeout

To configure the length of time that an inactive Telnet or SSH session remains open on a WAAS device, use the **exec-timeout** global configuration command. To revert to the default value, use the **no** form of this command.

exec-timeout *timeout*

no exec-timeout *timeout*

Syntax Description

timeout Timeout in minutes (0–44640). A value of 0 sets the logout timeout to infinite.

Defaults

The default is 15 minutes.

Command Modes

global configuration

Device Modes

application-accelerator
central-manager

Usage Guidelines

A Telnet session or Secure Shell (SSH) session with the WAAS device can remain open and inactive for the interval of time specified by the **exec-timeout** command. When the **exec-timeout** interval elapses, the WAAS device automatically closes the Telnet or SSH session.

Examples

The following example shows how to configure a timeout of 100 minutes:

```
WAE(config)# exec-timeout 100
```

The following example shows how to negate the configured timeout of 100 minutes and revert to the default value of 15 minutes:

```
WAE(config)# no exec-timeout
```

Related Commands

[\(config\) telnet enable](#)

(config) exit

To terminate global configuration mode and return to the privileged-level EXEC mode, use the **exit** command.

exit

Syntax Description This command has no arguments or keywords.

Defaults No default behavior or values.

Command Modes All modes

Device Modes application-accelerator
central-manager

Usage Guidelines This command is equivalent to pressing **Ctrl-Z** or entering the **end** command.

Examples The following example shows how to terminate global configuration mode and return to the privileged-level EXEC mode:

```
WAE(config)# exit
WAE#
```

Related Commands [\(config\) end](#)

(config) flow monitor

To enable network traffic flow monitoring and to register the WAE with the tcpstat-v1 collector for traffic analysis, use the **flow monitor** global configuration command. To disable the network traffic flow configuration, use the **no** form of this command.

```
flow monitor tcpstat-v1 {enable | host ip_address}
```

```
no flow monitor tcpstat-v1 {enable | host ip_address}
```

Syntax Description	tcpstat-v1	Sets the tcpstat-v1 collector configuration.
	enable	Enables flow monitoring.
	host ip_address	Specifies the IP address of the collection control agent.

Defaults The default configuration has no host address configured and the feature is disabled.

Command Modes global configuration

Device Modes application-accelerator

Usage Guidelines For information about how to configure flow monitoring on the WAE, see the *Cisco Wide Area Application Services Configuration Guide*, Chapter 15.

Examples The following example shows how to enable flow monitoring using the **flow monitor** command:

```
WAE(config)# flow monitor tcpstat-v1 enable
```

Related Commands [debug flow](#)

(config) help

To obtain online help for the command-line interface, use the **help** global configuration command. To disable help, use the **no help** form of this command.

help

no help

Syntax Description This command has no arguments or keywords.

Defaults No default behavior or values.

Command Modes EXEC and global configuration

Device Modes application-accelerator
central-manager

Usage Guidelines You can obtain help at any point in a command by entering a question mark (?). If nothing matches, the help list will be empty, and you must use the backspace key until entering a ? shows the available options. Two styles of help are provided:

- Full help is available when you are ready to enter a command argument (for example, **show ?**) and describes each possible argument.
- Partial help is provided when you enter an abbreviated command and you want to know what arguments match the input (for example, **show stat?**).

Examples The following example shows the output of the **help** global configuration command:

```
WAE# configure
WAE(config)# help
Help may be requested at any point in a command by entering a question mark '?'. If
nothing matches, the help list will be empty and you must backup until entering a '?'
shows the available options.
```

Two styles of help are provided:

1. Full help is available when you are ready to enter a command argument.
2. Partial help is provided when an abbreviated argument is entered.

The following example shows how to use full help to see what WCCP command arguments are available:

```
WAE# configure
WAE(config)# wccp ?
  access-list      Configure an IP access-list for inbound WCCP encapsulate
                   traffic
  flow-redirect    Redirect moved flows
  router-list      Router List for use in WCCP services
```

```
shutdown          Wccp Shutdown parameters
slow-start        accept load in slow-start mode
tcp-promiscuous   TCP promiscuous mode service
version           WCCP Version Number
```

The following example shows how to use partial help to determine the syntax of a WCCP argument:

```
WAE(config)# wccp tcp ?
mask             Specify mask used for CE assignment
router-list-num  Router list number
```

Related Commands [show running-config](#)

(config) hostname

To configure the network hostname on a WAAS device, use the **hostname** global configuration command. To reset the hostname to the default setting, use the **no** form of this command.

hostname *name*

no hostname *name*

Syntax Description	<i>name</i> New hostname for the WAAS device; the name is case sensitive. The name may be from 1 to 30 alphanumeric characters.
Defaults	The default hostname is the model number of the WAAS device (for example WAE-612 or WAE-7371).
Command Modes	global configuration
Device Modes	application-accelerator central-manager
Usage Guidelines	<p>Use this command to configure the hostname for the WAAS device. The hostname is used for the command prompts and default configuration filenames. This name is also used for routing, so it conforms to the following rules:</p> <ul style="list-style-type: none"> • It can use only alphanumeric characters and hyphens (-). • The maximum length is 30 characters. • The following characters are considered illegal and cannot be used when naming a device: @, #, \$, %, ^, &, *, (), , \"/>, <>.
Examples	<p>The following example shows how to change the hostname of the WAAS device to <i>sandbox</i>:</p> <pre>WAE-674 (config) # hostname sandbox Sandbox (config) #</pre> <p>The following example shows how to remove the hostname:</p> <pre>Sandbox (config) # no hostname WAE-674 (config) #</pre>
Related Commands	<p>dnslookup</p> <p>(config) ip</p> <p>(config-if) ip</p>

■ (config) hostname

show hosts

(config) inetd

To enable FTP and RCP services on a WAAS device, use the **inetd enable** global configuration command. To disable these same services, use the **no** form of this command.

```
inetd enable {ftp | rcp}
```

```
no inetd enable {ftp | rcp}
```

Syntax Description

enable	Enables services.
ftp	Enables FTP services.
rcp	Enables RCP services.

Defaults

FTP is enabled; RCP is disabled.

Command Modes

global configuration

Device Modes

application-accelerator
central-manager

Usage Guidelines

Inetd (an Internet daemon) is a program that listens for connection requests or messages for certain ports and starts server programs to perform the services associated with those ports. Use the **inetd enable** command with the **ftp** and **rcp** keywords to enable and disable services on the WAAS device. To disable the service, enter the **no** form of the **inetd enable** command. Use the **show inetd EXEC** command to see whether current **inetd** sessions are enabled or disabled.

Examples

The following example shows how to enable an FTP service session on the WAAS device:

```
WAE(config)# inetd enable ftp
```

The following example shows how to disable FTP services:

```
WAE(config)# no inetd enable ftp
```

Related Commands

[show inetd](#)

(config) inline vlan-id-connection-check

To enable VLAN ID checking on intercepted traffic, use the **inline vlan-id-connection-check** global configuration command. To disable VLAN ID checking, use the **no** form of this command.

inline vlan-id-connection-check

no inline vlan-id-connection-check

Syntax Description This command has no arguments or keywords.

Defaults VLAN ID checking is enabled.

Command Modes global configuration

Device Modes application-accelerator
central-manager

Examples The following example shows how to enable VLAN ID checking of the intercepted traffic on the WAAS device:

```
WAE(config)# inline vlan-id-connection-check
```

The following example shows how to disable VLAN ID checking:

```
WAE(config)# no inline vlan-id-connection-check
```

Related Commands [\(config\) interface GigabitEthernet](#)
[\(config-if\) encapsulation dot1Q](#)

(config) interception access-list

To configure traffic interception with an access list, use the **interception access-list** global configuration command. To disable the interception access list, use the **no** form of this command.

interception access-list {*acl-num* | *acl_name*}

no interception access-list

Syntax Description

<i>acl_num</i>	Numeric identifier that identifies the ACL to apply to traffic interception. For standard ACLs, the valid range is 1–99; for extended ACLs, the valid range is 100–199.
<i>acl_name</i>	Alphanumeric identifier of up to 30 characters, beginning with a letter that identifies the ACL to apply to traffic interception.

Defaults

No default behaviors or values.

Command Modes

global configuration

Device Modes

application-accelerator
central-manager

Usage Guidelines

Use the **interception access-list** command to apply an access list (ACL) to traffic interception. Packets permitted by the ACL are intercepted for WAAS optimization. Packets denied by the ACL are passed through by WAAS. You can define ACLs by using the **ip access-list standard** or **ip access-list extended** configuration commands.

You can configure only one interception ACL on a device.

If you specify an interception ACL that is not defined, it is considered to be a “permit any” ACL and all traffic is intercepted.

An interception ACL is mutually exclusive with a static bypass list (configured by the **bypass** global configuration command). If you have configured a static bypass list, you must remove it before using this command.

An interception ACL works both with WCCP and inline interception modes.

When used with interface ACLs and WCCP ACLs, the interface ACL is applied first, the WCCP ACL is applied second, and then the interception ACL is applied last.

Examples

The following example shows how to define and apply an ACL that intercepts all traffic except WWW traffic from a particular client:

```
dc-wae(config)# ip access-list extended iacl
dc-wae(config-ext-nacl)# deny tcp host 10.74.2.132 any eq www
dc-wae(config-ext-nacl)# permit ip any any
```

(config) interception access-list

```
dc-wae(config-ext-nacl)# exit
```

```
dc-wae(config)# interception access-list iacl
```

Related Commands

[\(config\) bypass](#)

[\(config\) ip access-list](#)

(config) interface GigabitEthernet

To configure a Gigabit Ethernet interface, use the **interface** global configuration command. To disable selected options, restore default values, or enable a shutdown interface, use the **no** form of this command.

```
interface GigabitEthernet slot/port [autosense | bandwidth {10 | 100 | 1000} | cdp enable |
channel-group 1 | description text | full-duplex | half-duplex |
ip {access-group {acl-num | acl_name} {in | out} |
address {ip_address netmask [secondary] | dhcp [client-id id hostname name |
hostname name client-id id]} | mtu mtusize | shutdown |
standby 1 [primary]]
```

```
no interface GigabitEthernet slot/port [autosense | bandwidth {10 | 100 | 1000} | cdp enable |
channel-group 1 | description text | full-duplex | half-duplex |
ip {access-group {acl-num | acl_name} {in | out} |
address {ip_address netmask [secondary] | dhcp [client-id id hostname name |
hostname name client-id id]} | mtu mtusize | shutdown |
standby 1 [primary]]
```

Syntax Description	GigabitEthernet <i>slot/port</i>	Selects a Gigabit Ethernet interface to configure (slot and port number). The slot range is 0–2; the port range is 0–3. The slot number and port number are separated with a forward slash character (/).
autosense	(Optional) Sets the GigabitEthernet interface to automatically sense the interface speed.	
bandwidth	(Optional) Sets the bandwidth of the specified interface.	
10	Sets the bandwidth of the interface to 10 megabits per second (Mbps).	
100	Sets the bandwidth of the interface to 100 Mbps.	
1000	Sets the bandwidth of the interface to 1000 Mbps. This option is not available on all ports and is the same as autosense.	
cdp enable	(Optional) Enables Cisco Discovery Protocol (CDP) on the specified interface.	
channel-group 1	(Optional) Assigns the interface EtherChannel to group 1.	
description text	Enters a description of the interface.	
full-duplex	(Optional) Sets the interface to full-duplex operation.	
half-duplex	(Optional) Sets the interface to half-duplex operation.	
	Note We strongly recommend that you do not use half duplex on the WAE, routers, switches, or other devices.	
ip	(Optional) Enables IP configuration commands for the interface.	
access-group	Configures access control for IP packets on this interface using access control list (ACL).	
<i>acl_num</i>	Numeric identifier that identifies the ACL to apply to the current interface. For standard ACLs, the valid range is 1–99; for extended ACLs, the valid range is 100–199.	
<i>acl_name</i>	Alphanumeric identifier of up to 30 characters, beginning with a letter that identifies the ACL to apply to the current interface.	

in	Applies the specified ACL to inbound packets on the current interface.
out	Applies the specified ACL to outbound packets on the current interface.
address <i>ip-address</i> <i>netmask</i>	Sets the interface IP address and netmask.
secondary	(Optional) Specifies that the configured address is a secondary IP address. If this keyword is omitted, the configured address is the primary IP address.
dhcp	(Optional) Sets the IP address to the address that is negotiated over Dynamic Host Configuration Protocol (DHCP).
client-id <i>id</i>	(Optional) Specifies the client identifier.
hostname <i>name</i>	(Optional) Specifies the hostname.
mtu <i>mtusize</i>	(Optional) Sets the interface Maximum Transmission Unit (MTU) size in bytes (88–1500).
shutdown	(Optional) Shuts down this interface.
standby 1	(Optional) Sets the standby group number to 1.
primary	(Optional) Sets this interface as the active interface in the standby group.

Defaults

The first attached interface in a standby group is defined as the active interface. There are no other default behaviors or values.

Command Modes

global configuration

Device Modes

application-accelerator
central-manager

Usage Guidelines

Although the CLI contains the **no interface** option, you cannot apply the **no** command to an interface. The software displays the following error message: Removing of physical interface is not permitted.

To configure an interface bandwidth on a WAAS device, use the **bandwidth** interface configuration command. The bandwidth is specified in megabits per second (Mbps). Using this option automatically enables autosense on the interface.

Using the **cdp enable** command in global configuration mode enables CDP globally on all the interfaces. If you want to control CDP behavior per interface, use the **cdp enable** command in interface configuration mode. The interface level control overrides the global control.

To display the interface identifiers (for example, interface GigabitEthernet 1/0), use the **show running-config** or **show startup-config** commands. The **autosense**, **bandwidth**, **full-duplex**, **half-duplex**, **ip**, and **shutdown** commands are listed separately in this command reference.

**Note**

When you use the **ip address** command to change the IP address of an interface that has been shut down, it automatically brings up that interface by default.

Configuring Multiple Secondary IP Addresses on a Single Physical Interface

Use the **interface secondary** global configuration command to configure more than one IP address on the same interface. By configuring multiple IP addresses on a single interface, the WAAS device can be present in more than one subnet. This configuration allows you to optimize the response time because the content goes directly from the WAAS device to the requesting client without being redirected through a router. The WAAS device becomes visible to the client because they are configured on the same subnet.

You can assign up to four secondary addresses to an interface. These addresses become active only after you configure the primary address. No two interfaces can have the same IP address in the same subnetwork. To set these secondary IP addresses, use the **ip address** command.

If a WAAS device has one physical interface that has multiple secondary IP addresses assigned to it, the egress traffic uses the source IP address that is chosen by IP routing. If the secondary IP addresses of a WAAS device in the same subnet as the primary IP address, then the egress traffic uses the primary IP address only. If the secondary IP addresses are in a different subnet than the primary IP address, then the destination IP address determines which IP address on the WAAS device is used for the egress traffic.

Configuring Interfaces for DHCP

When you configure a WAAS device initially, you can configure a static IP address or use interface-level DHCP to dynamically assign IP addresses to the interfaces on the WAAS device.

If you do not enable interface-level DHCP on the WAAS device, you must manually specify a static IP address and network mask for the WAAS device. If the WAAS device moves to another location in another part of the network, you must manually enter a new static IP address and network mask for this WAAS device.

You can enable an interface for DHCP using the **ip address dhcp** [*client_id* | *hostname*] interface configuration command. The client identifier is an ASCII value. The WAAS device sends its configured client identifier and hostname to the DHCP server when requesting network information. You can configure DHCP servers to identify the client identifier and the hostname that the WAAS device is sending and then send the specific network settings that are assigned to the WAAS device.



Note

You must disable autoregistration before you can manually configure an interface for DHCP. Autoregistration is enabled by default on the first interface of the device.

Defining Interface Descriptions

You can specify a one-line description for a specific interface on a WAAS device. Use the **description text** interface configuration command to enter the description for the specific interface. The maximum length of the description text is 240 characters. This feature is supported for the Gigabit Ethernet, port-channel, and Standby interfaces.



Note

This feature is not currently supported for the SCSI or IDE interfaces.

After you define the description for an interface, use the **show EXEC** commands to display the defined interface descriptions. Enter the **show interface** *interface type slot/port* EXEC command to display the defined description for a specific interface on the WAE.

Configuring a Standby Group

You can associate an interface with a standby group by using the **standby 1** interface configuration command. To make an interface the active interface in a standby group, use the **standby 1 primary** interface configuration command. If you have already associated an interface with a standby group but

have not made it the primary interface, you cannot specify the command again to add the primary designation. First, remove the interface from the standby group, then reassign it, specifying the **primary** option at the same time.

A physical interface can be a member of a standby group or a port channel, but not both.

You cannot assign an IP address to both a standby group and a port channel. Only one virtual interface can be configured with an IP address.

Examples

The following example shows how to configure an attribute of an interface with a single CLI command:

```
WAE(config)# interface GigabitEthernet 1/0 full-duplex
```

The following example shows that an interface can be configured in a sequence of CLI commands:

```
WAE(config)# interface GigabitEthernet 1/0
WAE(config-if)# full-duplex
WAE(config-if)# exit
WAE(config)#
```

The following example shows how to enable a shut down interface:

```
WAE(config)# no interface GigabitEthernet 1/0 shutdown
```

The following example shows how to create an EtherChannel. The port channel is port channel 1 and is assigned an IP address of 10.10.10.10 and a netmask of 255.0.0.0

```
WAE# configure
WAE(config)# interface PortChannel 1
WAE(config-if)# ip address 10.10.10.10 255.0.0.0
WAE(config-if)# exit
```

The following example shows how to remove an EtherChannel:

```
WAE(config)# interface PortChannel 1
WAE(config-if)# no ip address 10.10.10.10 255.0.0.0
WAE(config-if)# exit
WAE(config)# no interface PortChannel 1
```

The following example shows how to add an interface to a channel group:

```
WAE# configure
WAE(config)# interface GigabitEthernet 1/0
WAE(config-if)# channel-group 1
WAE(config-if)# exit
```

The following example shows how to remove an interface from a channel group:

```
WAE(config)# interface GigabitEthernet 1/0
WAE(config-if)# no channel-group 1
WAE(config-if)# exit
```

The following example shows how to assign a secondary IP address on a Gigabit Ethernet interface on a WAAS device:

```
WAE# configure
WAE(config)# interface GigabitEthernet 1/0
WAE(config-if)# ip address 10.10.10.10 255.0.0.0 secondary
```

The following example shows how to configure a description for a Gigabit Ethernet interface:

```
WAE(config)# interface GigabitEthernet 1/0
WAE(config-if)# description This is a GigabitEthernet interface.
```

Related Commands [show interface](#)
 [show running-config](#)
 [show startup-config](#)

(config) interface InlineGroup

To configure an InlineGroup interface, use the **interface** global configuration command. To disable selected options, restore default values, or enable a shutdown interface, use the **no** form of this command.

```
interface InlineGroup slotgrpnumber [autosense | bandwidth { 10 | 100 | 1000 } | cdp enable |
encapsulation dot1q VLAN | failover timeout { 1 | 3 | 5 } | full-duplex | half-duplex | inline
[vlan { all | native | vlan_list } ] | ip { access-group { acl-num | acl_name } } { in | out } | shutdown]
```

```
no interface InlineGroup slotgrpnumber [autosense | bandwidth { 10 | 100 | 1000 } | cdp enable
| encapsulation dot1q VLAN | failover timeout { 1 | 3 | 5 } | full-duplex | half-duplex | inline
[vlan { all | native | vlan_list } ] | ip { access-group { acl-num | acl_name } } { in | out } | shutdown]
```

Syntax Description

InlineGroup <i>slotgrpnumber</i>	Sets the slot and inline group number for the selected interface. The group number for the inline feature is either 0 or 1 (each adapter has 2 grouped pairs).
autosense	(Optional) Sets the Gigabit Ethernet interface to automatically sense the interface speed.
bandwidth	(Optional) Sets the bandwidth of the specified interface.
10	Sets the bandwidth of the interface to 10 megabits per second (Mbps).
100	Sets the bandwidth of the interface to 100 Mbps.
1000	Sets the bandwidth of the interface to 1000 Mbps. This option is not available on all ports and is the same as autosense.
cdp enable	(Optional) Enables Cisco Discovery Protocol (CDP) on the specified interface.
encapsulation dot1q <i>VLAN</i>	(Optional) Sets the 802.1Q VLAN ID to be assigned to traffic leaving the WAE through this interface. The VLAN ID can range from 1–4094.
failover	(Optional) Modifies failover parameters.
timeout	(Optional) Sets the maximum time for the inline group of interfaces to transfer traffic to another port in the group after a failover event.
1	Number of seconds before a failover occurs.
3	Number of seconds before a failover occurs.
5	Number of seconds before a failover occurs.
full-duplex	(Optional) Sets the interface to full duplex.
half-duplex	(Optional) Sets the interface to half duplex.
	Note We strongly recommend that you do not use half duplex on the WAE, routers, switches, or other devices.
inline	(Optional) Enables inline interception for an InlineGroup of interfaces.
vlan	(Optional) Modifies the VLAN list parameters.
all	Applies the command to all tagged and untagged packets.
native	Specifies untagged packets.
<i>vlan_list</i>	Comma-separated list of VLAN IDs. Restricts the inline feature to the specified set of VLANs.
ip	(Optional) Enables IP configuration commands for the interface.

access-group	Configures access control for IP packets on this interface using access control list (ACL).
<i>acl_num</i>	Numeric identifier that identifies the ACL to apply to the current interface. For standard ACLs, the valid range is 1–99; for extended ACLs, the valid range is 100–199.
<i>acl_name</i>	Alphanumeric identifier of up to 30 characters, beginning with a letter that identifies the ACL to apply to the current interface.
in	Applies the specified ACL to inbound packets on the current interface.
out	Applies the specified ACL to outbound packets on the current interface.
shutdown	(Optional) Shuts down this interface.

Defaults

No default behavior or values.

Command Modes

global configuration

Device Modes

application-accelerator
central-manager

Usage Guidelines

An InlineGroup interface is a logical grouping of a pair of Ethernet ports that are physically contained in the optional 4-port Cisco WAE Inline Network Adapter. The inline network adapter is supported on all WAAS appliance platforms beginning with the WAAS 4.0.7 release. Two Cisco WAE Inline Network Adapters are supported in the WAE-7341/7371/674 beginning with the WAAS 4.2.1 release.

You can have up to two (or four) InlineGroup interfaces, which allows for two (or four) bypass-enabled paths for traffic to pass through the WAE appliance, making multiple-router deployments possible. The InlineGroup interfaces provide failover capability and can be assigned to any set of VLANs. (For examples of InlineGroup interface configurations, see the [\(config-if\) inline](#) command.)

You can configure the InlineGroup interface for link speed (**bandwidth** or **autosense**) and mode of operation (**half-duplex** or **full-duplex**).

**Note**

If the VLAN ID that you set with the **encapsulation dot1q** option does not match the VLAN ID expected by the router subinterface, you may not be able to connect to the inline interface IP address.

The inline adapter supports only a single VLAN ID for each inline group interface. If you have configured a secondary address from a different subnet on an inline interface, you must have the same secondary address assigned on the router subinterface for the VLAN.

**Note**

We strongly recommend that you do not use half duplex on the WAE, routers, switches, or other devices. Use of half-duplex impedes system ability to improve performance and should not be used. Double-check each Cisco WAE interface as well as the port configuration on the adjacent device (router, switch, firewall, WAE) to verify that full-duplex is configured.

■ (config) interface InlineGroup

Related Commands [show interface](#)
 [show running-config](#)
 [show startup-config](#)

(config) interface PortChannel

To configure a port-channel interface, use the **interface** global configuration command. To disable selected options, restore default values, or enable a shutdown interface, use the **no** form of this command.

```
interface PortChannel 1 [description text | ip {access-group {acl-num | acl_name} {in | out} | address ip-address netmask} | shutdown]
```

```
no interface PortChannel 1 [description text | ip {access-group {acl-num | acl_name} {in | out} | address ip-address netmask} | shutdown]
```

Syntax	Description
PortChannel 1	Configures an EtherChannel.
description <i>text</i>	(Optional) Enters a description of the interface.
ip	(Optional) Enables IP configuration commands for the interface.
access-group	Configures access control for IP packets on this interface using an access control list (ACL).
<i>acl_num</i>	Numeric identifier that identifies the ACL to apply to the current interface. For standard ACLs, the valid range is 1–99; for extended ACLs, the valid range is 100–199.
<i>acl_name</i>	Alphanumeric identifier of up to 30 characters, beginning with a letter that identifies the ACL to apply to the current interface.
in	Applies the specified ACL to inbound packets on the current interface.
out	Applies the specified ACL to outbound packets on the current interface.
address <i>ip-address netmask</i>	Sets the interface IP address and netmask.
shutdown	(Optional) Shuts down this interface.

Defaults No default behavior or values.

Command Modes global configuration

Device Modes application-accelerator
central-manager

Usage Guidelines EtherChannel for the WAAS software supports the grouping of two same-speed network interfaces into one virtual interface. This configuration allows you to set or remove a virtual interface that consists of the two integrated Gigabit Ethernet interfaces. EtherChannel also provides interoperability with Cisco routers, switches, and other networking devices or hosts supporting EtherChannel, load balancing, and automatic failure detection and recovery based on the current link status of each interface. You must configure EtherChannel on the switch or router if you configure it on the WAE.

You cannot remove an EtherChannel that is configured as the primary interface on a WAE.

**Note**

You cannot use the inline Ethernet interfaces that are located on the WAE inline network adapter to form an EtherChannel.

**Note**

No two interfaces can have IP addresses in the same subnet.

Examples

The following example shows how to create an EtherChannel. The port channel is port channel 1 and is assigned an IP address of 10.10.10.10 and a netmask of 255.0.0.0:

```
WAE# configure
WAE(config)# interface PortChannel 1
WAE(config-if)# ip address 10.10.10.10 255.0.0.0
WAE(config-if)# exit
```

The following example shows how to remove an EtherChannel:

```
WAE(config)# interface PortChannel 1
WAE(config-if)# no ip address 10.10.10.10 255.0.0.0
WAE(config-if)# exit
WAE(config)# no interface PortChannel 1
```

Related Commands

[show interface](#)

[show running-config](#)

[show startup-config](#)

(config) interface standby

To configure a standby interface, use the **interface standby** global configuration command. To disable selected options, restore default values, or enable a shutdown interface, use the **no** form of this command.

```
interface Standby 1 { description text | ip address ip_address netmask | shutdown }
```

```
no interface Standby 1 { description text | ip address ip_address netmask | shutdown }
```

Syntax Description

Standby 1	Configures a standby interface.
description <i>text</i>	Enters a description of the interface.
ip address <i>ip_address netmask</i>	Specifies the IP address and netmask of the interface.
shutdown	Shuts down this interface.

Defaults

No default behavior or values.

Command Modes

global configuration

Device Modes

application-accelerator
central-manager

Usage Guidelines

A standby interface cannot be removed if it is configured as the system primary interface.



Note

No two interfaces can have IP addresses in the same subnet.

Related Commands

[show interface](#)
[show running-config](#)
[show startup-config](#)

(config) ip

To change the initial network device configuration settings, use the **ip** global configuration command. To delete or disable these settings, use the **no** form of this command.

```
ip { default-gateway ip-address | domain-name name1 name2 name3 |
ip host hostname ip-address | ip name-server ip-addresses |
ip path-mtu-discovery enable | ip route dest_addrs net_addrs gateway_addrs }

no ip { default-gateway ip-address | domain-name name1 name2 name3 |
ip host hostname ip-address | ip name-server ip-addresses |
ip path-mtu-discovery enable | ip route dest_addrs net_addrs gateway_addrs }
```

Syntax Description	
default-gateway <i>ip-address</i>	Specifies the IP address of the default gateway (if not routing IP).
domain-name <i>name1 name2 name3</i>	Specifies domain names (up to three can be specified).
host <i>hostname ip-address</i>	Adds an entry to the /etc/hosts file on the device, mapping the specified hostname to the specified IP address of the host.
name-server <i>ip-addresses</i>	Specifies the address of the name server and IP addresses of the name servers (up to a maximum of eight).
path-mtu-discovery enable	Enables RFC 1191 Path Maximum Transmission Unit (MTU) discovery.
route <i>dest_addrs net_addrs gateway_addrs</i>	Specifies the net route (destination route address, netmask address, and gateway address).

Defaults No default behavior or values.

Command Modes global configuration

Device Modes application-accelerator
central-manager

Usage Guidelines To define a default gateway, use the **ip default-gateway** command. You can only configure one default gateway. To remove the IP default gateway, use the **no** form of this command. The WAAS device uses the default gateway to route IP packets when there is no specific route found to the destination.

To define a default domain name, use the **ip domain-name** command. To remove the IP default domain name, use the **no** form of this command. You can enter up to three domain names. If a request arrives without a domain name appended in its hostname, the proxy tries to resolve the hostname by appending *name1*, *name2*, and *name3* in that order until one of these names succeeds.

To add an entry to the `/etc/hosts` file on the device, mapping a hostname to an IP address, use the **ip host** command. A given hostname can be mapped only to a single IP address, while an IP address can have multiple hostnames mapped to it, each one through a separate issuance of this command. To remove the entry from the `/etc/hosts` file, use the **no** form of this command. You can use the **show hosts EXEC** command to display the contents of the `/etc/hosts` file.

To specify the address of one or more name servers to use for name and address resolution, use the **ip name-server ip-addresses** command. To disable IP name servers, use the **no** form of this command. For proper resolution of the hostname to the IP address or the IP address to the hostname, the WAAS device uses DNS servers. Use the **ip name-server** command to point the WAAS device to a specific DNS server. You can configure up to eight servers.

Path MTU autodiscovery discovers the MTU and automatically sets the correct value. Use the **ip path-mtu-discovery enable** command to start this autodiscovery utility. By default, this feature is disabled because the WAE does not receive ICMP packets. When this feature is disabled, the sending device uses a packet size that is smaller than 576 bytes and the next hop MTU. Existing connections are not affected when this feature is turned on or off.

Use the **ip route** command to add a specific static route for a network or host. Any IP packet designated for the specified destination uses the configured route.

To configure static IP routing, use the **ip route** command. To remove the route, use the **no** form of this command. Do not use the **ip route 0.0.0.0 0.0.0.0** command to configure the default gateway; use the **ip default-gateway** command instead.

Examples

The following example shows how to configure a default gateway for the WAAS device:

```
WAE(config)# ip default-gateway 192.168.7.18
```

The following example shows how to configure a static IP route for the WAAS device:

```
WAE(config)# ip route 172.16.227.128 255.255.255.0 172.16.227.250
```

The following example shows how to configure a default domain name for the WAAS device:

```
WAE(config)# ip domain-name cisco.com
```

The following example shows how to add an entry to the `/etc/hosts` file on the WAAS device:

```
WAE(config)# ip host corp-B7 10.11.12.140
```

The following example shows how to configure a name server for the WAAS device:

```
WAE(config)# ip name-server 10.11.12.13
```

Related Commands

[show hosts](#)

[show ip routes](#)

(config) ip access-list

To create and modify access lists on a WAAS device for controlling access to interfaces or applications, use the **ip access-list** global configuration command. To disable an access list, use the **no** form of this command.

ip access-list { **standard** { *acl-name* | *acl-num* } | **extended** { *acl-name* | *acl-num* } | **logging** }

no ip access-list { **standard** { *acl-name* | *acl-num* } | **extended** { *acl-name* | *acl-num* } | **logging** }

Syntax Description

standard	Enables standard ACL configuration mode. The CLI enters the standard ACL configuration mode in which all subsequent commands apply to the current standard access list. The (config-std-nacl) prompt appears: WAE(config-std-nacl)# See the “ Standard ACL Configuration Mode Commands ” section for details about working with entries in a standard access list and the commands available from the standard ACL configuration mode (config-std-nacl)#.
extended	Enables extended ACL configuration mode. The CLI enters the extended ACL configuration mode in which all subsequent commands apply to the current extended access list. The (config-ext-nacl) prompt appears: WAE(config-ext-nacl)# See the “ Extended ACL Configuration Mode Commands ” section for details about working with entries in an extended access list and the commands available from the extended ACL configuration mode (config-ext-nacl)#.
<i>acl-name</i>	Access list to which all commands entered from ACL configuration mode apply, using an alphanumeric string of up to 30 characters, beginning with a letter.
<i>acl-num</i>	Access list to which all commands entered from access list configuration mode apply, using a numeric identifier. For standard access lists, the valid range is 1 to 99; for extended access lists, the valid range is 100 to 199.
logging	Enables logging for all IP access lists.

Defaults

An access list drops all packets unless you configure at least one **permit** entry.

Command Modes

global configuration

Device Modes

application-accelerator
central-manager

Usage Guidelines

Within ACL configuration mode, you can use the editing commands (**list**, **delete**, and **move**) to display the current condition entries, to delete a specific entry, or to change the order in which the entries will be evaluated. To return to global configuration mode, use the **exit** command at the ACL configuration mode prompt.

To create an entry, use a the **deny** or **permit** keyword and specify the type of packets that you want the WAAS device to drop or to accept for further processing. By default, an access list denies everything because the list is terminated by an implicit **deny any** entry. You must include at least one **permit** entry to create a valid access list.

**Note**

IP ACLs that are defined on a router take precedence over the IP ACLs that are defined on the WAE. IP ACLs that are defined on a WAE take precedence over the WAAS application definition policies that are defined on the WAE.

After creating an access list, you can include the access list in an access group using the **access-group** command, which determines how the access list is applied. You can also apply the access list to a specific application using the appropriate command. A reference to an access list that does not exist is the equivalent of a **permit any** condition statement.

To work with access lists, enter either the **ip access-list standard** or **ip access-list extended** global configuration command. Identify the new or existing access list with a name up to 30 characters long beginning with a letter, or with a number. If you use a number to identify a standard access list, it must be between 1 and 99; for an extended access list, use a number from 100 to 199. You must use a standard access list for providing access to the SNMP server or to the TFTP gateway/server. However, you can use either a standard access list or an extended access list for providing access to the WCCP application.

After you identify the access list, the CLI enters the appropriate configuration mode and all subsequent commands apply to the specified access list. The prompt for each configuration mode is shown in the following examples.

```
WAE(config)# ip access-list standard test
WAE(config-std-nacl)# exit
WAE(config)# ip access-list extended test2
WAE(config-ext-nacl)#
```

Use the **ip access-list logging** command to log denied packets.

Examples

The following example shows how to create an access list on the WAAS device. You create this access list to allow the WAAS device to accept all web traffic that is redirected to it but limit host administrative access using SSH:

```
WAE(config)# ip access-list extended example
WAE(config-ext-nacl)# permit tcp any any eq www
WAE(config-ext-nacl)# permit tcp host 10.1.1.5 any eq ssh
WAE(config-ext-nacl)# exit
```

The following example shows how to activate the access list for an interface:

```
WAE(config)# interface gigabitethernet 1/0
WAE(config-if)# ip access-group example in
WAE(config-if)# exit
```

The following example shows how this configuration appears when you enter the **show running-configuration** command:

```
...
!
```

(config) ip access-list

```
interface GigabitEthernet 1/0
 ip address 10.1.1.50 255.255.0.0
 ip access-group example in
 exit
. . .
ip access-list extended example
 permit tcp any any eq www
 permit tcp host 10.1.1.5 any eq ssh
 exit
. . .
```

Related Commands[clear arp-cache](#)[\(config-if\) ip access-group](#)[show ip access-list](#)

(config) kerberos

To authenticate a user that is defined in the Kerberos database, use the **kerberos** global configuration command. To disable authentication, use the **no** form of this command.

```
kerberos {local-realm kerberos-realm | realm {dns-domain | host} kerberos-realm |
server kerberos-realm {hostname | ip-address} [port-number]}
```

```
no kerberos {local-realm kerberos-realm | realm {dns-domain | host} kerberos-realm |
server kerberos-realm {hostname | ip-address} [port-number]}
```

Syntax Description		
local-realm <i>kerberos-realm</i>	Displays the default Kerberos realm (IP address or name in uppercase letters) for WAAS. Configures a switch to authenticate users defined in the Kerberos database. The default value is a null string.	
realm <i>dns-domain</i>	Maps a hostname or DNS domain name to a Kerberos realm.	
<i>host</i>	DNS domain name to map to the Kerberos realm.	Note The name must begin with a leading dot (.).
<i>kerberos-realm</i>	Host IP address or name to map to Kerberos host realm.	
server <i>hostname</i>	Kerberos realm (IP address or name in uppercase letters). The default value is a null string.	Specifies the Key Distribution Center (KDC) to use in a given Kerberos realm and, optionally, the port number that the KDC is monitoring.
<i>ip-address</i>	Name of the host running the KDC.	
<i>port-number</i>	IP address of the host running the KDC.	
	(Optional) Number of the port on the KDC server.	

Defaults

kerberos-realm: NULL string
port-number: 88

Command Modes global configuration

Device Modes application-accelerator
central-manager

Usage Guidelines All Windows 2000 domains are also Kerberos realms. Because the Windows 2000 domain name is also a DNS domain name, the Kerberos realm name for the Windows 2000 domain name is always in uppercase letters. This capitalization follows the recommendation for using DNS names as realm names in the Kerberos Version 5 protocol document (RFC-1510) and affects only interoperability with other Kerberos-based environments.

**Note**

Your Windows domain server must have a Reverse DNS Zone configured for this command to execute successfully.

The KDC server and all hosts with Kerberos authentication configured must interact within a 5-minute window or authentication will fail. All hosts, especially the KDC, should be running NTP. For information about configuring NTP, see the [\(config\) ntp](#) command.

The KDC server and Admin server must have the same IP address. The default port number for both servers is port 88.

The **kerberos** command modifies the krb5.conf file.

Examples

The following example shows how to configure the WAAS device to authenticate with a specified KDC in a specified Kerberos realm. The configuration is then verified.

```
WAE(config)# kerberos ?
  local-realm  Set local realm name
  realm       Add domain to realm mapping
  server      Add realm to host mapping
WAE(config)# kerberos local-realm WAE.ABC.COM
WAE(config)# kerberos realm wae.abc.com WAE.ABC.COM
WAE(config)# kerberos server wae.abc.com 10.10.192.50
WAE(config)# exit
WAE# show kerberos
Kerberos Configuration:
-----
  Local Realm: WAE.ABC.COM
  DNS suffix: wae.abc.com
  Realm for DNS suffix: WAE.ABC.COM
  Name of host running KDC for realm:
  Master KDC: 10.10.192.50
  Port: 88
```

Related Commands

[show kerberos](#)

(config) kernel kdb

To enable access to the kernel debugger (kdb), use the **kernel kdb** global configuration command. To disable access to the kernel debugger, use the **no** form of this command.

kernel kdb

no kernel kdb

Syntax Description This command has no arguments or keywords.

Defaults The kernel debugger is disabled by default.

Command Modes global configuration

Device Modes application-accelerator
central-manager

Usage Guidelines Once enabled, kdb is automatically activated if kernel problems occur, or you can manually activate it from the local console for the WAAS device. Once activated, all normal functioning of the WAAS device is suspended until kdb is manually deactivated. The kdb prompt looks like this:

```
[0]kdb>
```

To deactivate kdb, enter the **go** command at the kdb prompt. If kdb was automatically activated because of kernel problems, the system generates a core dump and restarts. If you activated kdb manually for diagnostic purposes, the system resumes normal functioning in whatever state it was when you activated kdb. In either case, if you enter the **reboot** command, the system restarts and normal operation resumes.

kdb is disabled by default and you must enter the **kernel kdb** command in global configuration mode to enable it. If kdb has been previously enabled, you can enter the **no kernel kdb** global configuration command to disable it. When kdb is enabled, you can activate it manually from the local console by pressing **Ctrl-_** followed by **Ctrl-B**.

The WAAS device is often unattended at many sites, and it is desirable for the WAAS device to automatically reboot after generating a core dump instead of requiring user intervention. Disabling the kernel debugger allows automatic recovery.

Examples The following example shows how to enable, and then disable, access to the kernel debugger:

```
WAE(config)# kernel kdb
WAE(config)# no kernel kdb
```

Related Commands [\(config\) kernel kdump](#)

(config) kernel kdump

To enable the kernel crash dump mechanism, use the **kernel kdump enable** global configuration command. To disable the kernel crash dump mechanism, use the **no** form of this command.

kernel kdump enable

no kernel kdump enable

Syntax Description This command has no arguments or keywords.

Defaults The kernel crash dump mechanism is enabled by default.

Command Modes global configuration

Device Modes application-accelerator
central-manager

Usage Guidelines A kernel crash dump file is stored in the following disk location:
/local/local1/crash/timestamp/vmcore

The analysis of the kernel crash dump file is stored in the following file:
/local/local1/crash/timestamp/analysis.txt

Examples The following example shows how to enable, and then disable, the kernel crash dump mechanism:

```
WAE(config)# kernel kdump enable
WAE(config)# no kernel kdump enable
```

Related Commands [\(config\) kernel kdb](#)
[show kdump](#)

(config) line

To specify terminal line settings, use the **line** global configuration command. To configure the WAAS device to not check for the carrier detect signal, use the **no** form of this command.

line console carrier-detect

no line console carrier-detect

Syntax	Description
console	Configures the console terminal line settings.
carrier-detect	Sets the device to check the carrier detect signal before writing to the console.

Defaults No default behavior or values.

Command Modes global configuration

Device Modes application-accelerator
central-manager

Examples The following example shows how to set the WAAS device to check for the carrier detect signal:

```
WAE(config)# line console carrier-detect
```

(config) logging console

To set system logging to console, use the **logging console** global configuration command. To disable logging functions, use the **no** form of this command.

logging console {enable | priority *loglevel*}

no logging console {enable | priority *loglevel*}

Syntax Description	
console	Sets system logging to a console.
enable	Enables system logging.
priority <i>loglevel</i>	Sets which priority level messages to send. Use one of the following keywords or you can specify the numeric priority: <ul style="list-style-type: none"> • alert—Immediate action needed. Priority 1. • critical—Immediate action needed. Priority 2. • debug—Debugging messages. Priority 7. • emergency—System is unusable. Priority 0. • error—Error conditions. Priority 3. • information—Informational messages. Priority 6. • notice—Normal but significant conditions. Priority 5. • warning—Warning conditions. Priority 4.

Defaults	
	Logging: on
	Priority of message for console: warning (4)
	Log file: /local1/syslog.txt

Command Modes	
	global configuration

Device Modes	
	application-accelerator
	central-manager

Usage Guidelines	
	Use the logging command to set specific parameters of the system log file.
	You can configure logging to send various levels of messages to the console using the logging console priority option.

Examples	
	The following example shows how to send messages that have a priority code of “error” (Level 3) to the console:
	<pre>WAE(config)# logging console priority error</pre>

The following example shows how to disable sending of messages that have a priority code of “error” (level 3) to the console:

```
WAE(config)# no logging console error
```

Related Commands

[clear arp-cache](#)

[show logging](#)

(config) logging disk

To system logging to a disk file, use the **logging disk** global configuration command. To disable logging functions, use the **no** form of this command.

logging disk { **enable** | **filename** *filename* | **priority** *loglevel* | **recycle** *size* }

no logging disk { **enable** | **filename** *filename* | **priority** *loglevel* | **recycle** *size* }

Syntax Description

disk	Sets system logging to a disk file.
enable	Enables system logging.
filename <i>filename</i>	Sets the name of the syslog file.
priority <i>loglevel</i>	Sets which priority level messages to send. Use one of the following keywords or you can specify the numeric priority: <ul style="list-style-type: none"> • alert—Immediate action needed. Priority 1. • critical—Immediate action needed. Priority 2. • debug—Debugging messages. Priority 7. • emergency—System is unusable. Priority 0. • error—Error conditions. Priority 3. • information—Informational messages. Priority 6. • notice—Normal but significant conditions. Priority 5. • warning—Warning conditions. Priority 4.
recycle <i>size</i>	Overwrites <i>syslog.txt</i> when it surpasses the recycle size (1000000–5000000 bytes).

Defaults

Logging: on
Priority of message for disk log file: debug (7)
Log file: /local1/syslog.txt
Log file recycle size: 10,000,000 bytes

Command Modes

global configuration

Device Modes

application-accelerator
central-manager

Usage Guidelines

Use the **logging** command to set specific parameters of the system log file.

The **no logging disk recycle size** command sets the file size to the default value. Whenever the current log file size surpasses the recycle size, the log file is rotated. The log file cycles through at most five rotations, and they are saved as *[log file name].[1-5]* under the same directory as the original log. The rotated log file is the one configured using the **logging disk filename** command.

Examples

The following example shows how to send messages that have a priority code of “error” (level 3) to a file:

```
WAE(config)# logging disk priority error
```

Related Commands

[clear arp-cache](#)

[show logging](#)

(config) logging facility

To set the facility parameter for system logging, use the **logging facility** global configuration command. To disable logging functions, use the **no** form of this command.

logging facility *facility*

no logging facility *facility*

Syntax Description	facility <i>facility</i>	Sets the facility parameter for syslog messages. Use one of the following keywords:
		<ul style="list-style-type: none"> • auth—Authorization system • daemon—System daemons • kernel—Kernel • local0—Local use • local1—Local use • local2—Local use • local3—Local use • local4—Local use • local5—Local use • local6—Local use • local7—Local use • mail—Mail system • news—USENET news • syslog—Syslog itself • user—User process • uucp—UUCP system

Defaults Logging: on

Command Modes global configuration

Device Modes application-accelerator
central-manager

Examples The following example shows how to set the facility parameter to authorization system for syslog messages:

```
WAE(config)# logging facility auth
```

Related Commands [clear arp-cache](#)
 [show logging](#)

(config) logging host

To configure system logging to a remote host, use the **logging host** global configuration command. To disable logging functions, use the **no** form of this command.

logging host {*hostname* | *ip-address*} [**port** *port_num* | **priority** *loglevel* | **rate-limit** *message_rate*]

no logging host {*hostname* | *ip-address*} [**port** *port_num* | **priority** *loglevel* | **rate-limit** *message_rate*]

Syntax Description

host	Sets system logging to a remote host.
<i>hostname</i>	Hostname of the remote syslog host. Specify up to four remote syslog hosts. Note To specify more than one syslog host, use multiple command lines; specify one host per command.
<i>ip-address</i>	IP address of the remote syslog host. Specify up to four remote syslog hosts. Note To specify more than one syslog host, use multiple command lines; specify one host per command.
port <i>port_num</i>	(Optional) Specifies the port to be used when logging to a host. The default port is 514.
priority <i>loglevel</i>	Sets which priority level messages to send. Use one of the following keywords or you can specify the numeric priority: <ul style="list-style-type: none"> • alert—Immediate action needed. Priority 1. • critical—Immediate action needed. Priority 2. • debug—Debugging messages. Priority 7. • emergency—System is unusable. Priority 0. • error—Error conditions. Priority 3. • information—Informational messages. Priority 6. • notice—Normal but significant conditions. Priority 5. • warning—Warning conditions. Priority 4.
rate-limit <i>message_rate</i>	(Optional) Sets the rate limit (in messages per second) for sending messages to a host. Rate limit is 0-10000 (in messages per second). Setting the rate limit to 0 disables rate limiting.

Defaults

Logging: on
Priority of message for a host: warning (4)

Command Modes

global configuration

Device Modes

application-accelerator
central-manager

Usage Guidelines

Use the **logging** command to set specific parameters of the system log file.

To configure the WAAS device to send varying levels of event messages to an external syslog host, use the **logging host** option.

You can configure a WAAS device to send varying levels of messages to up to four remote syslog hosts using the **logging host hostname** command.

Examples

The following example shows how to send messages that have a priority code of “error” (level 3) to the remote syslog host that has an IP address of 172.31.2.160:

```
WAE(config)# logging host 172.31.2.160 priority error
```

Related Commands

[clear arp-cache](#)

[show logging](#)

(config) ntp

To configure the NTP server and to allow the system clock to be synchronized by a time server, use the **ntp** global configuration command. To disable this function, use the **no** form of this command.

```
ntp [authenticate | authentication-key key-num [md5 authentication-key] |  
  server {ip-address | hostname} [ip-addresses | hostnames] |  
  server-with-authentication {ip-address | hostname} key key-num]
```

```
ntp [authenticate | authentication-key authentication-key [md5 encryption-type] |  
  server {ip-address | hostname} [ip-addresses | hostnames] |  
  server-with-authentication {ip-address | hostname} key authentication-key]
```

```
no ntp [authenticate | authentication-key key-num [md5 authentication-key] |  
  server {ip-address | hostname} [ip-addresses | hostnames] |  
  server-with-authentication {ip-address | hostname} key key-num]
```

Syntax Description

authenticate	(Optional) Authenticates the NTP server.
authentication-key <i>key-num</i>	(Optional) Sets the ID of the NTP authentication key. Maximum of 4 authentication keys can be configured. The ID must be a positive integer.
md5 <i>authentication-key</i>	(Optional) Sets the value for the NTP authentication key (type MD5). The key value must be from 0 to 4294967295.
server	(Optional) Sets the NTP server IP address for the WAAS device.
<i>ip-address</i>	NTP server IP address.
<i>hostname</i>	NTP server hostname.
<i>ip-addresses</i>	(Optional) IP address of the time server that provides the clock synchronization (maximum of 4).
<i>hostnames</i>	(Optional) Hostname of the time server that provides the clock synchronization (maximum of 4).
server-with-authentication	(Optional) Sets the authentication NTP server IP address for the WAAS device.
key <i>key-num</i>	(Optional) Sets the NTP authentication key ID for the authentication NTP server.

Defaults

The default NTP version number is 3.

Command Modes

global configuration

Device Modes

application-accelerator
central-manager

Usage Guidelines**Note**

Unexpected time changes can result in unexpected system behavior. We recommend reloading the system after enabling an NTP server.

Examples

The following example shows how to specify the NTP server IP address as the time source for a WAAS device. It also removes this configuration.

```
WAE(config)# ntp 172.16.22.44  
WAE(config)# no ntp 172.16.22.44
```

```
clock
```

```
(config) clock
```

```
show clock
```

```
show ntp
```

(config) peer

To enable peer optimization, use the **peer** global configuration command. To disable peer optimization, use the **no** form of this command.

peer device-id *deviceid* [**description** *description*] **optimization enable**

no peer device-id *deviceid* [**description** *description*] **optimization enable**

Syntax Description		
device-id <i>deviceid</i>		Configures the device ID of the peer device with which to enable or disable optimization.
description <i>hostname</i>		Configures a string that is the device description of the peer device. We suggest using the hostname of the peer WAE for the description.
optimization enable		Enables optimization with the specified peer.

Defaults No default behavior or values.

Command Modes global configuration

Device Modes application-accelerator

Usage Guidelines

Use the **no peer** command to disable optimization between peer devices in a serial cluster.

Use the **peer** command to reenable optimization between peer devices if it has been disabled previously.

The *deviceid* is a hexadecimal string (for example, d4:65:01:40:40:8a) that you can obtain with the **show device-id** or **show hardware EXEC** commands.

You can configure optimization for only one peer device with this command.

Examples

The following example shows how to disable optimization with a serial peer device:

```
WAE(config)# no peer device-id d4:65:01:40:40:8a description wae-sj-dc2 optimization enable
```

Related Commands

- [show device-id](#)
- [show hardware](#)
- [\(config\) interception access-list](#)

(config) policy-engine application classifier

To create or edit an existing application classifier on a WAE, use the **policy-engine application classifier** global configuration command. To delete an application classifier or a condition, use the **no** form of this command.

policy-engine application

```
classifier classifier-name [list | match
{all | dst {host hostname | ip ip_address | port {eq port | range port1 port2}} |
src {host hostname | ip ip_address | port {eq port | range port1 port2}}}]
```

```
no policy-engine application classifier classifier-name
```

Syntax Description		
classifier <i>classifier-name</i>		Classifier name (up to 30 characters). The name must start with a letter representing the application class.
list		(Optional) Lists the conditions contained in the specified classifier.
match		(Optional) Specifies the criteria for matching traffic.
all		Matches any type of traffic.
dst		Specifies the criteria for identifying the destination host.
host <i>hostname</i>		Specifies the hostname of the system that is the source or destination of the traffic.
ip <i>ip_address</i>		Specifies the IP address of the system that is the source or destination of the traffic.
port		Specifies the criteria for identifying the port or ports used by the source or destination hosts.
eq <i>port</i>		Specifies the source or destination port number.
range <i>port1 port2</i>		Specifies a range of source or destination port numbers.
src		Specifies the criteria for identifying the source host.

Command Modes global configuration

Device Modes application-accelerator

Usage Guidelines You can use this command to add or modify rules, also known as match conditions, to identify specific types of traffic. You can also use this command to list the classifier match conditions.

You cannot delete a classifier if any policies are using it. When creating a new application classifier or adding an existing application classifier, the WAAS CLI enters into a submode allowing you to specify one or more conditions. However, if the condition specified matches an already existing condition in the classifier conditions list, no action is taken. You can delete a condition by using the **no** form of this command. When creating a new classifier, you must add at least one condition.



Note

You cannot have more than 512 different application classifiers.

The WAAS software comes with over 150 default application policies that help your WAAS system classify and optimize some of the most common traffic on your network. Before you create a new application policy, we recommend that you review the default policies and modify them as appropriate. It is usually easier to modify an existing policy than to create a new one. For a list of the default applications and classifiers that WAAS will either optimize or pass through based on the policies that come bundled with the system, see the *Cisco Wide Area Application Services Configuration Guide*.

**Note**

We strongly recommend that you use the WAAS Central Manager GUI to centrally configure application policies for your WAEs. For more information, see the *Cisco Wide Area Application Services Configuration Guide*.

Related Commands

(config) policy-engine application map adaptor EPM
(config) policy-engine application map adaptor WAFS transport
(config) policy-engine application map basic
(config) policy-engine application map other optimize DRE
(config) policy-engine application map other optimize full
(config) policy-engine application map other pass-through
(config) policy-engine application name

(config) policy-engine application map adaptor EPM

To configure the application policy with advanced policy map lists of the EndPoint Mapper (EPM) service on a WAE, use the **policy-engine application map adaptor EPM** global configuration command. To disable the EPM service in the application policy configuration, use the **no** form of this command.

```

policy-engine application map adaptor EPM epm-map {

    delete line-number |

    disable line-number |

    insert {first | last | pos line-number} name app-name {All | classifier classifier-name}
    [disable] action {optimize {DRE {yes | no} compression {LZ | none} | full} |
    pass-through} [accelerate {cifs | http | mapi | MS-port-mapper | nfs | video}]
    [set-dscp dscp-marking] |

    list [from line-number [to line-number] | to line-number [from line-number]] |

    move from line-number to line-number |

    name app-name {All | classifier classifier-name} [disable] action {optimize {DRE {yes | no}
    compression {LZ | none} | full} | pass-through} [accelerate {cifs | http | mapi |
    MS-port-mapper | nfs | video}] [set-dscp dscp-marking]}

no policy-engine application map adaptor EPM epm-map disable line-number

```

Syntax Description

EPM <i>epm-map</i>	Specifies the messaging Application Programming Interface (MAPI) or Universal Unique ID (UUID).
delete <i>line-number</i>	Deletes the application policy map specified by the line number.
disable <i>line-number</i>	Disables the application policy map specified by the line number.
insert	Inserts or adds a new policy map at the specified position.
first	Inserts the new application policy map at the beginning of the list.
last	Inserts the new application policy map at the end of the list.
pos <i>line-number</i>	Inserts the new application policy map at the specified line number.
name <i>app-name</i>	Specifies the name of the application.
All	Specifies all traffic.
classifier <i>classifier-name</i>	Specifies the name of the application traffic classifier.
disable	(Optional) Disables optimization or pass through.
action	Specifies whether to optimize the traffic or let it pass through.
optimize	Applies general optimization.
DRE	Enables or disables DRE optimization.
yes	Enables DRE optimization.
no	Disables DRE optimization.
compression	Applies Lempel-Ziv (LZ) compression or no compression.

LZ	Applies LZ compression.
none	Applies no compression.
full	Applies full generic optimization.
pass-through	Allows traffic to pass through without any optimization.
accelerate	(Optional) Accelerates the traffic using a special adapter.
cifs	Accelerates the traffic using the CIFS accelerator.
http	Accelerates the traffic using the HTTP accelerator.
mapi	Accelerates the traffic using the MAPI accelerator.
MS-port-mapper	Accelerates the traffic using the Microsoft EndPoint Port Mapper (EPM).
nfs	Accelerates the traffic using the NFS accelerator.
video	Accelerates the traffic using the video accelerator.
set-dscp <i>dscp-marking</i>	(Optional) Sets the DSCP marking value (Table 3-2) to be applied to the traffic classified in the policy. Applies only if the action includes the optimize or accelerate keywords.
list	Lists the specified application policy maps.
from <i>line-number</i>	(Optional) Specifies the line number of the first application policy map to list.
to <i>line-number</i>	(Optional) Specifies the line number of the last application policy map to list.
move	Moves the specified application policy map from one line to another.

Command Modes

global configuration

Device Modes

application-accelerator

**Usage Guidelines**

Note We strongly recommend that you use the WAAS Central Manager GUI to centrally configure application policies for your WAAs. For more information, see the *Cisco Wide Area Application Services Configuration Guide*.

Related Commands

(config) [policy-engine application classifier](#)
 (config) [policy-engine application map adaptor WAFS transport](#)
 (config) [policy-engine application map basic](#)
 (config) [policy-engine application map other optimize DRE](#)
 (config) [policy-engine application map other optimize full](#)
 (config) [policy-engine application name](#)
 (config) [policy-engine application set-dscp](#)

(config) policy-engine application map adaptor WAFS transport

To configure application policies with the Wide Area File Services (WAFS) transport option, use the **policy-engine application map adaptor WAFS transport** global configuration command. To disable the WAFS transport policy map in the application policy configuration, use the **no** form of this command.

```

policy-engine application map adaptor WAFS transport {

    delete line-number |

    disable line-number |

    insert {first | last | pos line-number} name app-name {All | classifier classifier-name}
    [disable] action {optimize {DRE {yes | no} compression {LZ | none} | full} | pass-through}
    [accelerate {cifs | http | mapi | MS-port-mapper | nfs | video}] [set-dscp dscp-marking] |

    list [from line-number [to line-number] | to line-number [from line-number]] |

    move from line-number to line-number |

    name app-name {All | classifier classifier-name} [disable] action {optimize {DRE {yes | no}
    compression {LZ | none} | full} | pass-through} [accelerate {cifs | http | mapi |
    MS-port-mapper | nfs | video}] [set-dscp dscp-marking]}

no policy-engine application map adaptor WAFS transport disable line-number

```

Syntax Description

delete <i>line-number</i>	Deletes the application policy map specified by the line number.
disable <i>line-number</i>	Disables the application policy map specified by the line number.
insert	Inserts or adds a new policy map at the specified position.
first	Inserts the new application policy map at the beginning of the list.
last	Inserts the new application policy map at the end of the list.
pos <i>line-number</i>	Inserts the new application policy map at the specified line number.
name <i>app-name</i>	Specifies the name of the application.
All	Specifies all traffic.
classifier <i>classifier-name</i>	Specifies the name of the application traffic classifier.
disable	(Optional) Disables optimization or pass through.
action	Specifies whether to optimize the traffic or let it pass through.
optimize	Applies general optimization.
DRE	Enables or disables DRE optimization.
yes	Enables DRE optimization.
no	Disables DRE optimization.
compression	Applies Lempel-Ziv (LZ) compression or no compression.
LZ	Applies LZ compression.
none	Applies no compression.
full	Applies full generic optimization.
pass-through	Allows traffic to pass through without any optimization.

accelerate	(Optional) Accelerates the traffic using a special adaptor.
cifs	Accelerates the traffic using the CIFS accelerator.
http	Accelerates the traffic using the HTTP accelerator.
mapi	Accelerates the traffic using the MAPI accelerator.
MS-port-mapper	Accelerates the traffic using the Microsoft EndPoint Port Mapper (EPM).
nfs	Accelerates the traffic using the NFS accelerator.
video	Accelerates the traffic using the video accelerator.
set-dscp <i>dscp-marking</i>	Sets the DSCP marking value (Table 3-2) to be applied to the traffic classified in the policy. Applies only if the action includes the optimize or accelerate keywords.
list	Lists the specified application policy maps.
from <i>line-number</i>	(Optional) Specifies the line number of the first application policy map to list.
to <i>line-number</i>	(Optional) Specifies the line number of the last application policy map to list.
move	Moves the specified application policy map from one line to another.

Command Modes

global configuration

Device Modes

application-accelerator

Usage Guidelines**Note**

We strongly recommend that you use the WAAS Central Manager GUI to centrally configure application policies for your WAEs. For more information, see the *Cisco Wide Area Application Services Configuration Guide*.

Related Commands

(config) [policy-engine application classifier](#)
 (config) [policy-engine application map adaptor EPM](#)
 (config) [policy-engine application map basic](#)
 (config) [policy-engine application map other optimize DRE](#)
 (config) [policy-engine application map other optimize full](#)
 (config) [policy-engine application map other pass-through](#)
 (config) [policy-engine application name](#)
 (config) [policy-engine application set-dscp](#)

(config) policy-engine application map basic

To configure the application policy with the basic policy map, use the **policy-engine application map basic** global configuration command. To disable the EPM service in the application policy configuration, use the **no** form of this command.

```

policy-engine application map basic {

    delete line-number |

    disable line-number |

    insert {first | last | pos line-number} name app-name classifier classifier-name [disable]
    action {optimize {DRE {yes | no} compression {LZ | none} | full} | pass-through}
    [accelerate {cifs | http | mapi | MS-port-mapper | nfs | video}] [set-dscp dscp-marking] |

    list [from line-number [to line-number] | to line-number [from line-number]] |

    move from line-number to line-number |

    name app-name classifier classifier-name [{disable} action {optimize {DRE {yes | no}
    compression {LZ | none} | full} | pass-through} [accelerate {cifs | http | mapi |
    MS-port-mapper | nfs | video}] [set-dscp dscp-marking]}

no policy-engine application map basic disable line-number

```

Syntax Description

delete <i>line-number</i>	Deletes the application policy map specified by the line number.
disable <i>line-number</i>	Disables the application policy map specified by the line number.
insert	Inserts or adds a new policy map at the specified position.
first	Inserts the new application policy map at the beginning of the list.
last	Inserts the new application policy map at the end of the list.
pos <i>line-number</i>	Inserts the new application policy map at the specified line number.
name <i>app-name</i>	Specifies the name of the application traffic classifier.
classifier <i>classifier-name</i>	Specifies the name of the application traffic classifier.
disable	(Optional) Disables optimization or pass-through.
action	Specifies whether to optimize the traffic or let it pass through.
optimize	Applies general optimization.
DRE	Enables or disables DRE optimization.
yes	Enables DRE optimization.
no	Disables DRE optimization.
compression	Applies Lempel-Ziv (LZ) compression or no compression.
LZ	Applies LZ compression.
none	Applies no compression.
full	Applies full generic optimization.
pass-through	Allows traffic to pass through without any optimization.
accelerate	(Optional) Accelerates the traffic using a special adapter.

cifs	Accelerates the traffic using the CIFS accelerator.
http	Accelerates the traffic using the HTTP accelerator.
mapi	Accelerates the traffic using the MAPI accelerator.
MS-port-mapper	Accelerates the traffic using the Microsoft EndPoint Port Mapper (EPM).
nfs	Accelerates the traffic using the NFS accelerator.
video	Accelerates the traffic using the video accelerator.
set-dscp <i>dscp-marking</i>	(Optional) Sets the DSCP marking value (Table 3-2) to be applied to the traffic classified in the policy. Applies only if the action includes the optimize or accelerate keywords.
list	Lists the specified application policy maps.
from <i>line-number</i>	(Optional) Specifies the line number of the first application policy map to list.
to <i>line-number</i>	(Optional) Specifies the line number of the last application policy map to list.
move	Moves the specified application policy map from one line to another.

Command Modes

global configuration

Device Modes

application-accelerator

Usage Guidelines

A policy map consists of a set of application policies and the order in which they are checked.

Use the **policy-engine application map basic insert** global configuration command to insert a new basic (static) application policy map to the list of application policy maps on a WAE.

To view WAFS dynamic accept or deny list entries, use the **show policy-engine application dynamic** command.

**Note**

We strongly recommend that you use the WAAS Central Manager GUI to centrally configure application policies for your WAEs. For more information, see the *Cisco Wide Area Application Services Configuration Guide*.

Related Commands

(config) [policy-engine application classifier](#)

(config) [policy-engine application map adaptor EPM](#)

(config) [policy-engine application map adaptor WAFS transport](#)

(config) [policy-engine application map basic](#)

(config) [policy-engine application map other optimize DRE](#)

(config) [policy-engine application map other optimize full](#)

(config) [policy-engine application map other pass-through](#)

(config) [policy-engine application name](#)

show policy-engine application

(config) policy-engine application map other optimize DRE

To configure the **optimize DRE** action on nonclassified traffic on a WAE, use the **policy-engine application map other optimize DRE** global configuration command.

```
policy-engine application map other optimize DRE {yes | no} compression {LZ | none}
[set-dscp dscp-marking]
```

Syntax Description		
yes		Applies the optimize DRE action on nonclassified traffic.
no		Specifies not to apply the optimize DRE action on nonclassified traffic.
compression		Applies the specified compression.
LZ		Applies the Lempel-Ziv (LZ) compression.
none		Applies no compression.
set-dscp <i>dscp-marking</i>		(Optional) Sets the DSCP marking value (Table 3-2) to be applied to the traffic classified in the policy.

Command Modes global configuration

Device Modes application-accelerator

Usage Guidelines Use the **policy-engine application map other optimize DRE** global configuration command to configure the **optimize DRE** action on nonclassified traffic on a WAE.



Note

We strongly recommend that you use the WAAS Central Manager GUI to centrally configure application policies for your WAEs. For more information, see the *Cisco Wide Area Application Services Configuration Guide*.

Examples The following example shows how to configure the **optimize DRE** action on nonclassified traffic with no compression:

```
WAE(config)# policy-engine application map other optimize DRE yes compression none
```

Related Commands

- [\(config\) policy-engine application classifier](#)
- [\(config\) policy-engine application map adaptor EPM](#)
- [\(config\) policy-engine application map adaptor WAFS transport](#)
- [\(config\) policy-engine application map basic](#)
- [\(config\) policy-engine application map other optimize full](#)
- [\(config\) policy-engine application map other pass-through](#)


(config) policy-engine application name

(config) policy-engine application set-dscp

(config) policy-engine application map other optimize full

To configure the application policy on nonclassified traffic with the **optimize full** action, use the **policy-engine application map other optimize full** global configuration command.

policy-engine application map other optimize full [set-dscp *dscp-marking*]

Syntax Description	set-dscp <i>dscp-marking</i> (Optional) Sets the DSCP marking value (Table 3-2) to be applied to the traffic classified in the policy.
Command Modes	global configuration
Device Modes	application-accelerator
Usage Guidelines	Use the policy-engine application map other optimize full global configuration command to configure the application policy on nonclassified traffic with the optimize full action.
 Note	We strongly recommend that you use the WAAS Central Manager GUI to centrally configure application policies for your WAEs. For more information, see the <i>Cisco Wide Area Application Services Configuration Guide</i> .
Related Commands	<p>(config) policy-engine application classifier</p> <p>(config) policy-engine application map adaptor EPM</p> <p>(config) policy-engine application map adaptor WAFS transport</p> <p>(config) policy-engine application map basic</p> <p>(config) policy-engine application map other optimize DRE</p> <p>(config) policy-engine application map other pass-through</p> <p>(config) policy-engine application name</p> <p>(config) policy-engine application set-dscp</p>

(config) policy-engine application map other pass-through

To configure the application policy on nonclassified traffic with the **pass-through** action on a WAE, use the **policy-engine application map other pass-through** global configuration command.

policy-engine application map other pass-through

Syntax Description This command has no arguments or keywords.

Defaults No default behavior or values.

Command Modes global configuration

Device Modes application-accelerator

Usage Guidelines Use the **policy-engine application map other pass-through** global configuration command to configure the application policy on nonclassified traffic with the **pass-through** action on a WAE.



Note

We strongly recommend that you use the WAAS Central Manager GUI to centrally configure application policies for your WAEs. For more information, see the *Cisco Wide Area Application Services Configuration Guide*.

Related Commands [\(config\) policy-engine application map basic](#)
[\(config\) policy-engine application map other optimize full](#)

(config) policy-engine application name

To create a new application definition that specifies general information about an application on a WAE, use the **policy-engine application name** global configuration command. To delete the application definition, use the **no** form of this command.

policy-engine application name *app-name* [**set-dscp** *dscp-marking*]

no policy-engine application name *app-name* [**set-dscp** *dscp-marking*]

Syntax Description

application name <i>app-name</i>	Application name (up to 30 characters). The name cannot contain spaces or special characters. Specify the reserved name Other to set the DSCP marking value on nonclassified traffic.
set-dscp <i>dscp-marking</i>	(Optional) Sets the DSCP marking value (Table 3-2) to be applied to the application traffic.

Defaults

No default behavior or values.

Command Modes

global configuration

Device Modes

application-accelerator

Usage Guidelines

Use this command to create a new application name that can be used later to gather statistics about an application or to apply a DSCP marking value to the application traffic. You cannot delete an application name if other policies are using this name. Successful deletion clears all statistics that were once associated with this application.



Note

There is a limitation of 255 different application names.

You cannot delete the application definition named Other.

A DSCP value that you specify in the **policy-engine application name** command applies to all traffic associated with the application, unless it is overridden by a DSCP marking value that you specify in a specific map by one of the **policy-engine application map** commands. If a DSCP marking value is not assigned or defined, the default DSCP marking value (defined by the **policy-engine application set-dscp** command) is applied to traffic.



Note

We strongly recommend that you use the WAAS Central Manager GUI to centrally configure application policies for your WAEs. For more information, see the *Cisco Wide Area Application Services Configuration Guide*.

Examples

The following example shows how to create an application definition for the Payroll application:

```
WAE(config)# policy-engine application name Payroll
```

The following example shows how to assign a DSCP marking value to traffic associated with the Payroll application:

```
WAE(config)# policy-engine application name Payroll set-dscp cs1
```

Related Commands

- [\(config\) policy-engine application classifier](#)
- [\(config\) policy-engine application map adaptor EPM](#)
- [\(config\) policy-engine application map adaptor WAFS transport](#)
- [\(config\) policy-engine application map basic](#)
- [\(config\) policy-engine application map other optimize DRE](#)
- [\(config\) policy-engine application map other optimize full](#)
- [\(config\) policy-engine application map other pass-through](#)

(config) policy-engine application set-dscp

To set the default DSCP marking value for use with applications, use the **policy-engine application set-dscp** global configuration command. To set the default DSCP marking value to its default value, use the **no** form of this command.

policy-engine application set-dscp *dscp-marking*

no policy-engine application set-dscp *dscp-marking*

Syntax Description

set-dscp *dscp-marking* Specifies the DSCP marking value, as shown in [Table 3-2](#).

Defaults

No default behavior or values.

Command Modes

global configuration

Device Modes

application-accelerator

Usage Guidelines

The DSCP field in an IP packet enables different levels of service to be assigned to network traffic. Levels of service are assigned by marking each packet on the network with a DSCP code. DSCP is the combination of IP Precedence and Type of Service (ToS) fields. For more information, see RFC 2474.

A DSCP value is assigned in an application definition or an application policy map and applies to all traffic associated with the application or policy map. If a DSCP value is not assigned or defined, the default DSCP value is applied to traffic. The global default DSCP value is copy, which copies the DSCP value from the incoming packet and uses it for the outgoing packet.

[Table 3-2](#) lists the valid DSCP marking values that you can specify.

Table 3-2 DSCP Marking Values

DSCP Code	Description
0 - 63	Sets packets with a numeric dscp from 0 to 63.
af11	Sets packets with AF11 dscp (001010).
af12	Sets packets with AF11 dscp (001100).
af13	Sets packets with AF13 dscp (001110).
af21	Sets packets with AF21 dscp (010010).
af22	Sets packets with AF22 dscp (010100).
af23	Sets packets with AF23 dscp (010110).
af31	Sets packets with AF31 dscp (011010).
af32	Sets packets with AF32 dscp (011100).
af33	Sets packets with AF33 dscp (011110).
af41	Sets packets with AF41 dscp (100010).
af42	Sets packets with AF42 dscp (100100).

Table 3-2 DSCP Marking Values (continued)

DSCP Code	Description
af43	Sets packets with AF43 dscp (100110).
cs1	Sets packets with CS1 (precedence 1) dscp (001000).
cs2	Sets packets with CS2 (precedence 2) dscp (010000).
cs3	Sets packets with CS3 (precedence 3) dscp (011000).
cs4	Sets packets with CS4 (precedence 4) dscp (100000).
cs5	Sets packets with CS5 (precedence 5) dscp (101000).
cs6	Sets packets with CS6 (precedence 6) dscp (110000).
cs7	Sets packets with CS7 (precedence 7) dscp (111000).
copy	Copies the DSCP value from the incoming packet to the outgoing packet. (default)
default	Sets packets with default dscp (000000).
ef	Sets packets with EF dscp (101110).

Examples

The following example shows how to set the default DSCP marking value to copy:

```
WAE(config)# policy-engine application set-dscp copy
```

Related Commands

[\(config\) policy-engine application name](#)

(config) policy-engine config

To remove application policy configurations or replace application policy configurations with factory defaults on a WAE, use the **policy-engine config** global configuration command.

policy-engine config {remove-all | restore-predefined}

Syntax Description		
remove-all	Removes the application policy configurations and resets other changed configurations.	
	Note: This does not apply to applications defined in the WAAS Central Manager, which are global, including the applications defined in device/device group level. They will be propagated to all devices that are registered with the Central Manager.	
restore-predefined	Replaces application policy configurations (including the application names, classifiers, and policy maps) with factory defaults.	

Defaults No default behavior or values.

Command Modes global configuration

Device Modes application-accelerator

Usage Guidelines This action includes but is not limited to the following:

- Remove all application names except “other.”
- Remove all classifiers.
- Remove all policy maps.
- Reset the default action to **pass-through**.



Note

We strongly recommend that you use the WAAS Central Manager GUI to centrally configure application policies for your WAEs. For more information, see the *Cisco Wide Area Application Services Configuration Guide*.

Examples The following example shows how to remove all application policy configurations on a WAE using the **policy-engine config** command:

```
WAE#(config) policy-engine config remove-all
```

Related Commands [show policy-engine status](#)

```
show statistics auto-discovery  
show statistics connection closed
```

(config) port-channel

To configure the port channel load-balancing options on a WAAS device, use the **port-channel** global configuration command. To set load balancing on the port channel to its default method, use the **no** form of this command.

```
port-channel load-balance {src-dst-ip-port | round-robin}
```

```
no port-channel load-balance {src-dst-ip-port | round-robin}
```

Syntax Description

load-balance	Configures the load-balancing method.
src-dst-ip-port	Specifies the load-balancing method based on a combination of source and destination IP addresses/ports. This load-balancing method has replaced the dst-ip method on devices running WAAS version 4.1.3 or later.
round-robin	Specifies the load-balancing method using a round-robin resource allocation.

Defaults

Round-robin is the default load-balancing method.

Command Modes

global configuration

Device Modes

application-accelerator
central-manager

Usage Guidelines

The **port-channel load-balance** command configures one of two load-balancing algorithms and provides flexibility in choosing interfaces when an Ethernet frame is sent. The **round-robin** option allows evenly balanced usage of identical network interfaces in a channel group. Because this command takes effect globally, if two channel groups are configured, they must use the same load-balancing option.

Examples

The following example shows how to configure IP load balancing on a port channel and then disable it:

```
WAE(config)# port-channel load-balance src-dst-ip-port  
WAE(config)# no port-channel load-balance
```

(config) primary-interface

To configure the primary interface for a WAAS device, use the **primary-interface** global configuration command. To remove the configured primary interface, use the **no** form of this command.

```
primary-interface { GigabitEthernet 1-2/port | PortChannel 1 | Standby 1 | inlineGroup
slot/grpnumber }
```

```
no primary-interface { GigabitEthernet 1-2/port | PortChannel 1 | Standby 1 | inlineGroup
slot/grpnumber }
```

Syntax Description		
GigabitEthernet <i>1-2/port</i>	Selects a Gigabit Ethernet interface as the primary interface of the WAAS device. Slot number 1 or 2 and port number.	
PortChannel 1	Selects a port channel interface as the primary interface of the WAAS device. (Only one port channel interface is supported.)	
Standby 1	Selects a standby group as the primary interface of the WAAS device. (Only one standby group is supported.)	
inlineGroup <i>slot/grpnumber</i>	Selects an interface on the Cisco WAE Inline Network Adapter as the primary interface of the WAAS device. The group number for the inline feature is either 0 or 1 (each adapter has 2 grouped pairs).	

Defaults

The default primary interface is the Gigabit Ethernet 1/0 interface. If this interface is not configured, then the first operational interface on which a link beat is detected becomes the default primary interface. Interfaces with lower number IDs are polled first (for example, Gigabit Ethernet 1/0 is checked before 2/0). The Gigabit Ethernet interfaces are polled before the port-channel interfaces.

Command Modes

global configuration

Device Modes

application-accelerator
central-manager

Usage Guidelines

You can change the primary interface without disabling the WAAS device. To change the primary interface, reenter the command string and specify a different interface.



Note

If you use the **restore factory-default preserve basic-config** command, the configuration for the primary interface is not preserved. If you want to reenble the WAAS device after using the **restore factory-default preserve basic-config** command, make sure to reconfigure the primary interface after the factory defaults are restored.

Setting the primary interface to be a Standby group does not imply that Standby functionality is available. You must configure Standby interfaces using the **interface standby** global configuration command.

Examples

The following example shows how to specify the Gigabit Ethernet slot 1, port 0 as the primary interface on a WAAS device:

```
WAE(config)# primary-interface GigabitEthernet 1/0
```

The following example shows how to specify the Gigabit Ethernet slot 2, port 0 as the primary interface on a WAAS device:

```
WAE(config)# primary-interface GigabitEthernet 2/0
```

The following example shows how to specify the inline interface slot 1, group 0 as the primary interface on a WAAS device:

```
WAE(config)# primary-interface inlineGroup 1/0
```

Related Commands

[\(config\) interface GigabitEthernet](#)

(config) print-services

To enable legacy print services and designate a group name for administrators who are allowed configuration access on a WAAS device, use the **print-services** global configuration command. To disable print services on a WAAS device or to clear the administrative group, use the **no** form of this command.

```
print-services { enable | admin-group admin-group-name | guest-print enable }
```

```
no print-services { enable | admin-group admin-group-name | guest-print enable }
```

Syntax Description	enable	admin-group <i>admin-group-name</i>	guest-print enable
	Enables legacy print services on the WAAS device.	Configures a group of administrators with print services configuration privileges. You can enter a maximum of 127 characters. No spaces are allowed.	Enables the guest print service. Guest printing allows any user to print to the WAAS print server.
			Note This option is available only in the application-accelerator device mode.

Defaults By default, legacy print services are disabled and no administrative group is defined (*admin-group-name* is null).

Command Modes global configuration

Device Modes application-accelerator
central-manager

Usage Guidelines Legacy print services are deprecated and no longer supported in WAAS 4.2.x and later. We recommend using the Windows print accelerator instead (see the [\(config\) accelerator windows-print](#) command).

Examples The following example shows how to enable print services on a WAAS device:

```
WAE(config)# print-services enable
```

The following example shows how to add a print services administrative group called printAdmins:

```
WAE(config)# print-services admin-group printAdmins
```

The new print-services administrator group is configured successfully. Please restart print services for the change to take effect.

```
WAE(config)# no print-services enable
```

```
WAE(config)# print-services enable
```

The following example removes the print service administrative group from the WAAS device:

```
WAE(config)# no print-services admin-group printAdmins
```

(config) print-services

The print-services administrator group is removed successfully. Please restart print services for the change to take effect.

```
WAE(config)# no print-services enable
```

```
WAE(config)# print-services enable
```

Related Commands

- [\(config\) accelerator windows-print](#)
- [show print-services](#)
- [show running-config](#)
- [show startup-config](#)

(config) radius-server

To configure a set of RADIUS authentication server settings on the WAAS device, use the **radius-server** global configuration command. To disable RADIUS authentication server settings, use the **no** form of this command.

```
radius-server {host hostname | hostipaddr [primary] | key keyword | retransmit retries | timeout seconds}
```

```
no radius-server {host hostname | hostipaddr [primary] | key keyword | retransmit retries | timeout seconds}
```

Syntax Description		
host <i>hostname</i>		Specifies a RADIUS server. You can have a maximum of 5 servers.
<i>hostipaddr</i>		IP address of the RADIUS server.
primary		(Optional) Sets the server as the primary server.
key <i>keyword</i>		Specifies the encryption key shared with the RADIUS servers. You can have a maximum of 15 characters.
retransmit <i>retries</i>		Specifies the number of transmission attempts (1–3) to an active server for a transaction. The default is 2.
timeout <i>seconds</i>		Specifies the time to wait for a RADIUS server to reply. The range is from 1 to 20 seconds. The default is 5 seconds.

Defaults

```
retransmit retries: 2  
timeout seconds: 5
```

Command Modes

```
global configuration
```

Device Modes

```
application-accelerator  
central-manager
```

Usage Guidelines

RADIUS authentication is disabled by default. You can enable RADIUS authentication and other authentication methods at the same time. You can also specify which method to use first. (See the [\(config\) authentication configuration](#) command.)

You can configure multiple RADIUS servers; authentication is attempted on the primary server first. If the primary server is unreachable, then authentication is attempted on the other servers in the RADIUS farm, in the order in which they were configured. If authentication fails for any reason other than a server is unreachable, authentication is not attempted on the other servers in the farm. This process applies regardless of the setting of the **authentication fail-over server-unreachable** command.

Examples

The following example shows how to specify a RADIUS server, specify the RADIUS key, and accept retransmit defaults. You can verify the configuration using the **show radius-server** command.

```
WAE(config)# radius-server host 172.16.90.121
WAE(config)# radius-server key myradiuskey
WAE# show radius-server
Radius Configuration:
-----
Radius Authentication is on
  Timeout      = 5
  Retransmit   = 3
  Key          = ****
  Servers
  -----
```

Related Commands [show radius-server](#)

(config) smb-conf

To manually configure the parameters for a WAAS device Samba configuration file, *smb.conf*, use the **smb-conf** global configuration command. To return a parameter to its default value, use the **no** form of this command.

smb-conf section {**global** | **print\$** | **printers**} **name** *attr-name* **value** *attr-value* [**service print**]

no smb-conf section {**global** | **print\$** | **printers**} **name** *attr-name* **value** *attr-value* [**service print**]

Syntax Description

global	Specifies one of the global print parameters.
print\$	Specifies one of the print\$ parameters.
printers	Specifies the parameters for one of the printers.
name <i>attr-name</i>	Specifies the name of the parameter in the specified section that you want to manually configure (up to 80 characters).
value <i>attr-value</i>	Specifies the value of the parameter (up to 255 characters).
service print	(Optional) Updates the Samba configuration file for legacy print services. Without this option, the smb-conf command updates the Samba configuration file that is used for windows authentication.

See [Table 3-3](#) for a description of the parameters for the global, print\$, and printers, including the names and default values.

Defaults

No default behavior or values.

Command Modes

global configuration

Device Modes

application-accelerator
central-manager

Usage Guidelines

Legacy print services are deprecated and no longer supported in WAAS 4.2.x and later. We recommend using the Windows print accelerator (see the [\(config\) accelerator windows-print](#) command).

The *smb.conf* file contains a variety of print-related parameters. Global parameters apply to the server. Service level parameters, which define default settings for all other sections and shares, allow you to avoid the need to set the same value repeatedly. You can override these globally set share settings and specify other values for each individual section or share. Print\$ parameters apply to the printers. Printers parameters, which apply to the shares, make it possible to share all printers with a minimal configuration. These parameters apply as defaults to all printers.

[Table 3-3](#) describes the print-related parameters.

Table 3-3 *Print-Related Parameters*

Parameter Name	Default Value	Parameter Description
global parameters		
idmap uid	70000-200000	Range of user IDs allocated for mapping UNIX users to NT user SIDs.
idmap gid	70000-200000	Range of group IDs allocated for mapping UNIX groups to NT group SIDs.
winbind enum users	no	Parameter that does not enumerate domain users using MSRPC.
winbind enum groups	no	Parameter that does not enumerate domain groups using MSRPC.
winbind cache time	10	Time that a domain user or group information remains in the cache before expiring.
winbind use default domain	yes	Use the default domain for users and groups.
printcap name	cups	Use CUPS to determine available printer names.
load printers	yes	Automatically creates all available printer shares.
printing	cups	Parameter that uses CUPS-compatible print commands.
cups options	raw	Parameter that sets the format of the print output to raw.
force printername	yes	Parameter that enforces the same printer name specified in the CUPS GUI to be used as the printer name in Samba.
lpq cache time	0	Cache time for the results of the lpq command.
log file	/local/local1/errorlog/samba.log	Location where print-related errors are logged.
max log size	50	Maximum number of errors the log file can contain. After 50 errors, for each new error logged, the oldest error is removed.
socket options	TCP_NODELAY SO_RCVBUF=8192 SO_SNDBUF=8192	Controls on the network layer of the operating system that allows the connection with the client to be tuned. This option is typically used to tune your Samba server for optimal performance for your local network.
smb ports	50139	Available ports on the Samba server.
local master	no	Parameter that sets <i>nmbd</i> to be a local master browser on a subnet.
domain master	no	Parameter that sets <i>nmbd</i> to be a domain master browser for its given workgroup.
preferred master	no	Parameter that sets <i>nmbd</i> to be a preferred master browser for its workgroup.
dns proxy	no	DNS proxy that is not enabled.
template homedir	/local/local1/	Home directory on File Engine or WAE.
template shell	/admin-shell	Directory of the administrative shell.
comment	Comment:	Optional description of the print server (or share) that is visible when a client queries the server. This parameter can also be set by the windows-domain comment command.

Table 3-3 Print-Related Parameters (continued)

Parameter Name	Default Value	Parameter Description
netbios name	MYFILEENGINE	Name of the Samba server hosting print services. This parameter can also be set by the windows-domain netbios-name command.
realm	CISCO	Active Directory domain name. Always uppercase. This parameter can also be set by the windows-domain realm command.
wins server	10.10.10.1	IP address of the Windows domain server used to authenticate user access to print services. This parameter can also be set by the windows-domain wins-server command.
password server	10.10.10.10	Optional IP address of the password server used for authentication of users. This parameter can also be set by the windows-domain password-server command.
security	domain	Use Windows domain server for authentication. This parameter can also be set by the windows-domain security command.
client schannel	no	Secure channel indicator used for Windows domain server authentication.
ldap ssl	on	Defines whether or not Samba should use SSL when connecting to the LDAP server. The default is to always use SSL when contacting the LDAP server. If set to "off," SSL is never used when querying the directory server. If set to "start_tls," LDAPv3 StartTLS extended operation (RFC2830) is used for communicating with the directory server.
print\$ Parameters		
path	/state/samba/printers	Location of printer list.
guest ok	yes	Parameter that does not require a password to connect to the printer.
browseable	yes	Parameter that allows the printer to be visible in the list of printers.
read only	yes	Parameter that prevents users from creating or modifying the printer list.
write list	root	Parameter that allows the printer administrator (root user) to modify the printer list.
printers Parameters		
path	/local/local1/spool/samba	Location where incoming files are spooled for printing.
browseable	no	Parameter that always sets to no if printable = yes. It makes the printer share invisible in the list of available shares.
guest ok	yes	Parameter that does not require a password to connect to the printer's service.
writable	no	Parameter that prevents users from creating or modifying files in the print service directory.

Table 3-3 *Print-Related Parameters (continued)*

Parameter Name	Default Value	Parameter Description
printable	yes	Parameter that allows connected clients to open, write to and submit spool files into the directory specified with the path parameter for printing. Used by Samba to differentiate printer shares from file shares. If this is set to no, printing is not allowed.
printer admin	root	Parameter that allows the print administrator (root user) to add drivers and to set the printer properties.

Examples

The following example shows how to change the maximum size of the Samba error log file from the default of 50 errors to 75 errors:

```
WAE# smb-conf global max log size 75
```

The following example shows how to change the realm from the default of CISCO to MYCOMPANYNAME:

```
WAE# smb-conf global realm MYCOMPANYNAME
```

The following example shows how to enable and then disable LDAP server signing:

```
WAE# smb-conf global name "ldap ssl" value "start_tls"
```

Related Commands

[show smb-conf](#)
[windows-domain](#)
[\(config\) accelerator windows-print](#)
[\(config\) windows-domain](#)

(config) snmp-server access-list

To configure a standard access control list on a WAAS device to allow access through an SNMP agent, use the **snmp-server access-list** global configuration command. To remove a standard access control list, use the **no** form of this command.

```
snmp-server access-list {num | name}
```

```
no snmp-server access-list {num | name}
```

Syntax Description

<i>num</i>	Standard access list number (1–99).
<i>name</i>	Standard access list name. You can use a maximum of 30 characters.

Defaults

No default behavior or values.

Command Modes

global configuration

Device Modes

application-accelerator
central-manager

Examples

The following example shows how to allow the SNMP agent to check against access control list 12 before accepting or dropping packets:

```
WAE(config)# snmp-server access-list 12
```



Note

You must first create access list 12 using the **ip access-list standard** global configuration command.

Related Commands

[\(config\) ip access-list](#)
[show running-config](#)

(config) snmp-server community

To enable the SNMP agent on a WAAS device and to set up the community access string to permit access to the SNMP agent, use the **snmp-server community** global configuration command. To disable the SNMP agent and remove the previously configured community string, use the **no** form of this command.

```
snmp-server community string [group groupname | rw]
```

```
no snmp-server community string [group groupname | rw]
```

Syntax Description

<i>string</i>	Community string that acts like a password and permits access to the SNMP agent. You can use up to a maximum of 64 characters.
group <i>groupname</i>	(Optional) Specifies the group name to which the community string belongs. You can use a maximum of 64 characters.
rw	(Optional) Enables read-write access to this community string.

Defaults

The SNMP agent is disabled and a community string is not configured. When configured, an SNMP community string by default permits read-only access to all objects.

Command Modes

global configuration

Device Modes

application-accelerator
central-manager

Examples

The following example shows how to enable the SNMP agent and assign the community string comaccess to SNMP:

```
WAE(config)# snmp-server community comaccess
```

The following example shows how to disable the SNMP agent and remove the previously defined community string:

```
WAE(config)# no snmp-server community
```

Related Commands

(config) snmp-server community
(config) snmp-server contact
(config) snmp-server enable traps
(config) snmp-server group
(config) snmp-server host
(config) snmp-server location
(config) snmp-server mib

(config) snmp-server notify inform

(config) snmp-server user

(config) snmp-server view

snmp trigger

(config) snmp-server contact

To set the system server contact string on a WAAS device, use the **snmp-server contact** global configuration command. To remove the system contact information, use the **no** form of this command.

snmp-server contact *line*

no snmp-server contact *line*

Syntax Description	contact <i>line</i>	Specifies the text for MIB-II object <i>sysContact</i> . This is the identification of the contact person for this managed node.
---------------------------	----------------------------	--

Command Modes	global configuration
----------------------	----------------------

Device Modes	application-accelerator central-manager
---------------------	--

Defaults	No system contact string is set.
-----------------	----------------------------------

Usage Guidelines	The system contact string is the value stored in the MIB-II system group <i>sysContact</i> object.
-------------------------	--

Examples The following example shows how to set a system contact string and then remove it:

```
WAE(config)# snmp-server contact Dial System Operator at beeper # 27345
```

```
WAE(config)# no snmp-server contact
```

Related Commands	(config) snmp-server community (config) snmp-server enable traps (config) snmp-server group (config) snmp-server host (config) snmp-server location (config) snmp-server mib (config) snmp-server notify inform (config) snmp-server user (config) snmp-server view snmp trigger
-------------------------	---

(config) snmp-server enable traps

To enable the WAAS device to send SNMP traps, use the **snmp-server enable traps** global configuration command. To disable all SNMP traps or only SNMP authentication traps, use the **no** form of this command.

snmp-server enable traps [alarm [clear-critical | clear-major | clear-minor | raise-critical | raise-major | raise-minor]

snmp-server enable traps config | entity | event

snmp-server enable traps content-engine [disk-fail | disk-read | disk-write | overload-bypass | transaction-log]

snmp-server enable traps snmp [authentication | cold-start | linkdown | linkup]

snmp-server enable traps wafs [cslog | eslog | mgrlog]

Syntax Description

alarm	Enables WAAS alarm traps.
clear-critical	(Optional) Enables clear-critical alarm traps.
clear-major	(Optional) Enables clear-major alarm traps.
clear-minor	(Optional) Enables clear-minor alarm traps.
raise-critical	(Optional) Enables raise-critical alarm traps.
raise-major	(Optional) Enables raise-major alarm traps.
raise-minor	(Optional) Enables raise-minor alarm traps.
config	Enables CiscoConfigManEvent traps.
entity	Enables SNMP entity traps.
event	Enables Event MIB traps.
content-engine	Enables SNMP WAAS traps.
disk-fail	(Optional) Enables disk failure error traps.
disk-read	(Optional) Enables disk read error traps.
disk-write	(Optional) Enables disk write error traps.
overload-bypass	(Optional) Enables WCCP overload bypass error traps.
transaction-log	(Optional) Enables transaction log write error traps.
snmp	Enables SNMP-specific traps.
authentication	(Optional) Enables authentication trap.
cold-start	(Optional) Enables cold start trap.
linkdown	(Optional) Enables link down trap.
linkup	(Optional) Enables link up trap.
wafs	Enables all WAFS-specific traps.
cslog	(Optional) Enables the WAFS core server error log traps.
eslog	(Optional) Enables the WAFS edge server error log traps.
mgrlog	(Optional) Enables the WAFS Central Manager error log traps.

Defaults This command is disabled by default. No traps are enabled.

Command Modes global configuration

Device Modes application-accelerator
central-manager

Usage Guidelines In the WAAS software the following six generic alarm traps are available in the CISCO-CONTENT-ENGINE-MIB:

Name of Alarm Trap	Severity	Action
cceAlarmCriticalRaised	Critical	Raised
cceAlarmCriticalCleared	Critical	Cleared
cceAlarmMajorRaised	Major	Raised
cceAlarmMajorCleared	Major	Cleared
cceAlarmMinorRaised	Minor	Raised
cceAlarmMinorCleared	Minor	Cleared



Note

By default, these six general alarm traps are disabled.

These six general alarm traps provide SNMP and Node Health Manager integration. You can enable or disable each of these six alarm traps through the WAAS CLI.

To configure traps, you must enter the **snmp-server enable traps** command. If you do not enter the **snmp-server enable traps** command, no traps are sent.

The **snmp-server enable traps** command is used with the **snmp-server host** command. Use the **snmp-server host** command to specify which host or hosts receive SNMP traps. To send traps, you must configure at least one host using the **snmp-server host** command.

To allow a host to receive a trap, you must enable both the **snmp-server enable traps** command and the **snmp-server host** command for that host.

You must enable SNMP with the **snmp-server community** command.

To disable the sending of the MIB-II SNMP authentication trap, you must enter the command **no snmp-server enable traps snmp authentication**.

Examples The following example shows how to enable the WAAS device to send all traps to the host 172.31.2.160 using the community string public:

```
WAE(config)# snmp-server enable traps
WAE(config)# snmp-server host 172.31.2.160 public
```

The following example shows how to disable all traps:

```
WAE(config)# no snmp-server enable traps
```

Related Commands

(config) snmp-server community
(config) snmp-server contact
(config) snmp-server group
(config) snmp-server host
(config) snmp-server location
(config) snmp-server mib
(config) snmp-server notify inform
(config) snmp-server user
(config) snmp-server view
snmp trigger

(config) snmp-server group

To define a user security model group for a WAAS device, use the **snmp-server group** global configuration command. To remove the specified group, use the **no** form of this command.

```
snmp-server group name {v1 [notify name] [read name] [write name] |
v2c [notify name] [read name] [write name] |
v3 {auth [notify name] [read name] [write name] |
noauth [notify name] [read name] [write name] |
priv [notify name] [read name] [write name]}}
```

```
no snmp-server group name {v1 [notify name] [read name] [write name] |
v2c [notify name] [read name] [write name] |
v3 {auth [notify name] [read name] [write name] |
noauth [notify name] [read name] [write name] |
priv [notify name] [read name] [write name]}}
```

Syntax Description	group name	Specifies the SNMP group. You can enter a maximum of 64 characters.
	v1	Specifies the group using the Version 1 Security Model.
	notify name	(Optional) Specifies a notify view name for the group that enables you to specify a notify, inform, or trap. You can enter a maximum of 64 characters.
	read name	(Optional) Specifies a read view name for the group that enables you to view only the contents of the agent. You can enter a maximum of 64 characters.
	write	(Optional) Specifies a write view name for the group that enables you to enter data and configure the contents of the agent. You can enter a maximum of 64 characters.
	v2c	Specifies the group using the Version 2c Security Model.
	v3	Specifies the group using the User Security Model (SNMPv3).
	auth	Specifies the group using the AuthNoPriv Security Level.
	noauth	Specifies the group using the noAuthNoPriv Security Level.
	priv	Specifies the group using the AuthPriv Security Level.

Defaults The default is that no user security model group is defined.

Command Modes global configuration

Device Modes application-accelerator
central-manager

Usage Guidelines The maximum number of SNMP groups that can be created is 10.

Select one of three SNMP security model groups: Version 1 (**v1**) Security Model, Version 2c (**v2c**) Security Model, or the User Security Model (**v3** or SNMPv3). Optionally, you then specify a notify, read, or write view for the group for the particular security model chosen. The **v3** option allows you to specify the group using one of three security levels: **auth** (AuthNoPriv Security Level), **noauth** (noAuthNoPriv Security Level), or **priv** (AuthPriv Security Level).

Examples

The following example shows how to define a user security model group named acme that uses the SNMP version 1 security model and a view name of mymib for notifications:

```
WAE(config)# snmp-server group acme v1 notify mymib
```

Related Commands

(config) snmp-server community
(config) snmp-server contact
(config) snmp-server enable traps
(config) snmp-server host
(config) snmp-server location
(config) snmp-server mib
(config) snmp-server notify inform
(config) snmp-server user
(config) snmp-server view
snmp trigger

(config) snmp-server host

To specify the recipient of a host SNMP trap operation, use the **snmp-server host** global configuration command. To remove the specified host, use the **no** form of this command.

```
snmp-server host {hostname | ip-address} communitystring
    [v2c [retry number] [timeout seconds] |
    [v3 {auth [retry number] [timeout seconds] |
    noauth [retry number] [timeout seconds] |
    priv [retry number] [timeout seconds]}]]
```

```
no snmp-server host {hostname | ip-address} communitystring
    [v2c [retry number] [timeout seconds] |
    [v3 {auth [retry number] [timeout seconds] |
    noauth [retry number] [timeout seconds] |
    priv [retry number] [timeout seconds]}]]
```

Syntax Description

<i>hostname</i>	Hostname of the SNMP trap host that will be sent in the SNMP trap messages from the WAAS device.
<i>ip-address</i>	IP address of the SNMP trap host that will be sent in the SNMP trap messages from the WAAS device.
<i>communitystring</i>	Password-like community string sent in the SNMP trap messages from the WAE. You can enter a maximum of 64 characters.
v2c	(Optional) Specifies the Version 2c Security Model.
retry number	(Optional) Sets the count for the number of retries (1–10) for the inform request. (The default is 2 tries.)
timeout seconds	(Optional) Sets the timeout for the inform request (1–1000 seconds). The default is 15 seconds.
v3	(Optional) Specifies the User Security Model (SNMPv3).
auth	Sends a notification using the AuthNoPriv Security Level.
noauth	Sends a notification using the noAuthNoPriv Security Level.
priv	Sends a notification using the AuthPriv Security Level.

Defaults

This command is disabled by default. No traps are sent. If enabled, the default version of the SNMP protocol used to send the traps is SNMP Version 1.

retry number: 2 retries

timeout: 15 seconds

Command Modes

global configuration

Device Modes

application-accelerator

central-manager

Usage Guidelines

If you do not enter an **snmp-server host** command, no traps are sent. To configure the WAAS device to send SNMP traps, you must enter at least one **snmp-server host** command. To enable multiple hosts, you must enter a separate **snmp-server host** command for each host. The maximum number of **snmp-server host** commands is four.

When multiple **snmp-server host** commands are given for the same host, the community string in the last command is used.

The **snmp-server host** command is used with the **snmp-server enable traps** command to enable SNMP traps.

You must enable SNMP with the **snmp-server community** command.

Examples

The following example shows how to send the SNMP traps defined in RFC 1157 to the host specified by the IP address 172.16.2.160. The community string is comaccess:

```
WAE(config)# snmp-server enable traps
WAE(config)# snmp-server host 172.16.2.160 comaccess
```

The following example shows how to remove the host 172.16.2.160 from the SNMP trap recipient list:

```
WAE(config)# no snmp-server host 172.16.2.160
```

Related Commands

(config) snmp-server community
(config) snmp-server contact
(config) snmp-server enable traps
(config) snmp-server group
(config) snmp-server location
(config) snmp-server mib
(config) snmp-server notify inform
(config) snmp-server user
(config) snmp-server view
snmp trigger

(config) snmp-server location

To set the SNMP system location string on a WAAS device, use the **snmp-server location** global configuration command. To remove the location string, use the **no** form of this command.

snmp-server location *line*

no snmp-server location *line*

Syntax Description

location *line* Specifies text for MIB-II object *sysLocation*. This string describes the physical location of this node.

Defaults

No system location string is set.

Command Modes

global configuration

Device Modes

application-accelerator
central-manager

Usage Guidelines

The system location string is the value stored in the MIB-II system group system location object. You can see the system location string with the **show snmp EXEC** command.

Examples

The following example shows how configure a system location string:

```
WAE(config)# snmp-server location Building 3/Room 214
```

Related Commands

(config) snmp-server community
(config) snmp-server contact
(config) snmp-server enable traps
(config) snmp-server group
(config) snmp-server host
(config) snmp-server mib
(config) snmp-server notify inform
(config) snmp-server user
(config) snmp-server view
snmp trigger

(config) snmp-server mib

To configure persistence for the SNMP Event MIB, use the **snmp-server mib** global configuration command. To disable the Event MIB, use the **no** form of this command.

snmp-server mib persist event

no snmp-server mib persist event

Syntax Description		
	persist	Configures MIB persistence.
	event	Enables MIB persistence for the Event MIB.

Defaults No default behavior or values.

Command Modes global configuration

Device Modes application-accelerator

Usage Guidelines The Event MIB can set the threshold on any MIB variables supported by the WAAS software and store the threshold permanently on the disk.

The WAAS software implementation of SNMP supports the following MIBs:

- ACTONA-ACTASTORE-MIB
- CISCO-CONFIG-MAN-MIB
- CISCO-CDP-MIB
- CISCO-CONTENT-ENGINE-MIB (partial)
- CISCO-ENTITY-ASSET-MIB
- CISCO-SMI
- CISCO-TC
- ENTITY-MIB
- EVENT-MIB
- HOST-RESOURCES-MIB
- MIB-II
- SNMP-COMMUNITY-MIB
- SNMP-FRAMEWORK-MIB
- SNMP-NOTIFICATION-MIB
- SNMP-TARGET-MIB
- SNMP-USM-MIB

- SNMPv2
- SNMP-VACM-MIB

**Note**

The WAAS software supports six generic alarm traps in the CISCO-CONTENT-ENGINE-MIB for SNMP and Node Health Manager integration.

Examples

The following example shows how to set persistence for the Event MIB:

```
WAE(config)# snmp-server mib persist event
```

Related Commands

(config) snmp-server community
(config) snmp-server contact
(config) snmp-server enable traps
(config) snmp-server group
(config) snmp-server host
(config) snmp-server location
(config) snmp-server notify inform
(config) snmp-server user
(config) snmp-server view
snmp trigger

(config) snmp-server notify inform

To configure the SNMP notify inform request on a WAAS device, use the **snmp-server notify inform** global configuration command. To return the setting to the default value, use the **no** form of this command.

snmp-server notify inform

no snmp-server notify inform

Syntax Description This command has no arguments or keywords.

Defaults If you do not enter the **snmp-server notify inform** command, the default is an SNMP trap request.

Command Modes global configuration

Device Modes application-accelerator
central-manager

Examples The following example shows how to configure an SNMP notify inform request versus the default SNMP trap:

```
WAE(config)# snmp-server notify inform
```

Related Commands [\(config\) snmp-server community](#)
[\(config\) snmp-server contact](#)
[\(config\) snmp-server enable traps](#)
[\(config\) snmp-server group](#)
[\(config\) snmp-server host](#)
[\(config\) snmp-server location](#)
[\(config\) snmp-server mib](#)
[\(config\) snmp-server user](#)
[\(config\) snmp-server view](#)
[snmp trigger](#)

(config) snmp-server trap-source

To set the source interface from which SNMP traps are sent on a WAAS device, use the **snmp-server trap-source** global configuration command. To remove the trap source configuration, use the **no** form of this command.

```
snmp-server trap-source { GigabitEthernet slot/port | PortChannel 1 | Standby grpnumber }
```

```
no snmp-server trap-source { GigabitEthernet slot/port | PortChannel 1 | Standby grpnumber }
```

Syntax Description		
GigabitEthernet <i>slot/port</i>	Selects a Gigabit Ethernet interface to configure as the trap source. The slot range is 1–2; the port must be 0. The slot number and port number are separated with a forward slash character (/).	
PortChannel 1	Selects a port channel to configure as the trap source. There is only port channel 1.	
Standby <i>grpnumber</i>	Selects a standby group to configure as the trap source. The group number value is 1.	

Defaults No system trap source is set.

Command Modes global configuration

Device Modes application-accelerator
central-manager

Examples The following example shows how to configure gigabit Ethernet interface 1/0 as the trap source:

```
WAE(config)# snmp-server trap-source gigabitethernet 1/0
```

Related Commands

- [\(config\) snmp-server community](#)
- [\(config\) snmp-server contact](#)
- [\(config\) snmp-server enable traps](#)
- [\(config\) snmp-server group](#)
- [\(config\) snmp-server host](#)
- [\(config\) snmp-server mib](#)
- [\(config\) snmp-server notify inform](#)
- [\(config\) snmp-server user](#)
- [\(config\) snmp-server view](#)
- [snmp trigger](#)

(config) snmp-server user

To define a user who can access the SNMP server, use the **snmp-server user** global configuration command. To remove access, use the **no** form of this command.

```
snmp-server user name group
  [auth {md5 password [priv password]} |
  sha password [priv password]} |
  remote octetstring [auth {md5 password [priv password]} |
  sha password [priv password]]]
```

```
no nmp-server user name group
  [auth {md5 password [priv password]} |
  sha password [priv password]} |
  remote octetstring [auth {md5 password [priv password]} |
  sha password [priv password]]]
```

Syntax Description		
user <i>name group</i>		Specifies the name and group of the SNMP user. Use letters, numbers, dashes, and underscores, but no blanks. The name specifies the user on the SNMP host who wants to communicate with the SNMP agent on the WAAS device. You can enter a maximum of 32 characters for the name. The group specifies the group to which the SNMP user belongs. You can enter a maximum of 64 characters for the group.
auth		(Optional) Configures user authentication parameters.
md5 password		Configures HMAC MD5 user authentication password.
priv password		(Optional) Configures authentication HMAC-MD5 user private password. You can enter a maximum of 256 characters.
sha password		Configures the HMAC-SHA authentication password. You can enter a maximum of 256 characters.
remote <i>octetstring</i>		(Optional) Specifies the globally unique identifier (engineID) for a remote SNMP entity (for example, the SNMP network management station) for at least one of the SNMP users (10 to 64 characters, not counting colons). To send an SNMPv3 inform message, you must configure at least one SNMPv3 user with a remote SNMP ID option on the WAAS device. The SNMP ID is entered in octet string form. For example, if the IP address of a remote SNMP entity is 192.147.142.129, then the octet string would be 00:00:63:00:00:00:a1:c0:93:8e:81. (Colons will be removed in the show running-config command output.)

Defaults No default behavior or values.

Command Modes global configuration

Device Modes application-accelerator

central-manager

Examples

The following example shows how to create an SNMPv3 user account on the WAAS device. The SNMPv3 user is named acme and belongs to the group named admin. Because this SNMP user account has been set up with no authentication password, the SNMP agent on the WAAS device does not perform authentication on SNMP requests from this user.

```
WAE(config)# snmp-server user acme admin
```

Related Commands

(config) snmp-server community
(config) snmp-server contact
(config) snmp-server enable traps
(config) snmp-server group
(config) snmp-server host
(config) snmp-server location
(config) snmp-server mib
(config) snmp-server notify inform
(config) snmp-server view
snmp trigger

(config) snmp-server view

To define an SNMPv2 MIB view on a WAAS device, use the **snmp-server view** global configuration command. To remove the MIB view definition, use the **no** form of this command.

```
snmp-server view viewname MIBfamily {excluded | included}
```

```
no snmp-server view viewname MIBfamily {excluded | included}
```

Syntax Description

<i>viewname MIBfamily</i>	Name of this family of view subtrees and a subtree of the MIB. You can enter a maximum of 64 characters.
excluded	Excludes the MIB family from the view.
included	Includes the MIB family in the view.

Defaults

No default behavior or values.

Command Modes

global configuration

Device Modes

application-accelerator
central-manager

Examples

The following example shows how to define an SNMPv2 MIB view:

```
WAE(config)# snmp-server view fileview ciscoFileEngineMIB included
```

Related Commands

(config) [snmp-server community](#)
 (config) [snmp-server contact](#)
 (config) [snmp-server enable traps](#)
 (config) [snmp-server group](#)
 (config) [snmp-server host](#)
 (config) [snmp-server location](#)
 (config) [snmp-server mib](#)
 (config) [snmp-server notify inform](#)
 (config) [snmp-server user](#)
[snmp trigger](#)

(config) sshd

To enable the SSH daemon on a WAAS device, use the **sshd** global configuration command. To disable the SSH daemon on a WAAS device, use the **no** form of this command.

```
sshd {allow-non-admin-users | enable | password-guesses number | timeout seconds |
      version {1 | 2}}
```

```
no sshd {allow-non-admin-users | enable | password-guesses number | timeout seconds |
         version {1 | 2}}
```

Syntax Description

allow-non-admin-users	Allows nonadministrative users to gain SSH access to the chosen device (or device group). By default, this option is disabled.
Note	Nonadministrative users are nonsuperuser administrators. All nonsuperuser administrators have restricted access to a WAAS device because their login accounts have a privilege level of 0. Superuser administrators have full access to a WAAS device because their login accounts have the highest level of privileges, a privilege level of 15.
enable	Enables the SSH daemon on a WAAS device.
password-guesses <i>number</i>	Specifies the maximum number of allowable password guesses per connection (1–99). The default is 3.
timeout <i>seconds</i>	Configures the number of seconds for which an SSH session will be active during the negotiation (authentication) phase between the client and server before it times out. The SSH login grace time value in seconds is 1–99999. The default is 300. If you have established an SSH connection to the WAAS device but have not entered the username when prompted at the login prompt, the connection will be terminated by the WAAS device if the grace period expires even after a successful login.
version	Configures the SSH version to be supported on the WAAS device.
1	Specifies that SSH Version 1 is supported on the WAAS device.
2	Specifies that SSH Version 2 is supported on the WAAS device.

Defaults

By default, the SSH daemon is disabled on a WAAS device. If you use the **sshd enable** command to enable the SSH daemon on a WAAS device, the following default settings are used:

password-guesses *number*: 3 guesses

timeout *seconds*: 300 seconds

version: Both SSH Version 1 and 2 are enabled.

Command Modes

global configuration

Device Modes

application-accelerator

central-manager

Usage Guidelines

Before you enable the **sshd** command, use the **ssh-key-generate** command to generate a private and a public host key, which the client uses to verify the server identity.

Although the **sshd password-guesses** command specifies the number of allowable password guesses from the SSH server side, the actual number of password guesses for an SSH login session is determined by the combined number of allowable password guesses of the SSH server and the SSH client. Some SSH clients limit the maximum number of allowable password guesses to three (or to one in some cases), even though SSH server side allows more than this number of guesses.

When you enter the **sshd password-guesses** command and specify *n* allowable password guesses, certain SSH clients interpret this *number* as *n+1*. For example, when configuring the number of guesses to two by issuing the command **sshd password-guesses 2** for a particular device, SSH sessions from some SSH clients will allow three password guesses.

You can enable both SSH Version 1 and Version 2, or you can enable one version and not the other. When you enable the SSH daemon using the **sshd enable** global configuration command, support for both SSH Version 1 and SSH Version 2 is enabled. If you want the WAAS device to support only one version of SSH (for example SSH version 2), you must disable the other version. For example, to disable SSH Version 1, enter the **no sshd version 1** command.

If the SSH daemon is currently enabled on a WAAS device, at least one version of SSH must be enabled on the device. Before you can disable both versions of SSH, you must enter the **no sshd enable** command to disable the SSH daemon on the WAAS device. If you attempt to disable both versions of SSH before you have disabled the SSH daemon, the following message will appear on your console informing you that you must disable the SSH daemon before you can disable both versions of SSH:

```
WAE(config)# no sshd version 1
WAE(config)# no sshd version 2
Atleast SSHv1 or SSHv2 must be enabled with sshd enabled.
Disable sshd to disable both SSHv1 and SSHv2.
Did not update ssh version support. Please retry.
```

When support for both SSH version 1 and SSH version 2 are enabled in the WAAS device, the **show running-config EXEC** command output does not display any SSHD configuration.

If you have disabled the support for one version of SSH, the **show running-config EXEC** command output contains the following line:

```
no sshd version version_number
```



Note

You can use the Telnet daemon with the WAAS device. SSH does not replace Telnet.

Examples

The following example shows how to enable and configure a Secure Shell daemon on the WAAS device:

```
WAE(config)# sshd enable
WAE(config)# sshd password-guesses 4
WAE(config)# sshd timeout 20
```

The following example shows how to disable the support for SSH Version 1 in the WAAS device:

```
WAE(config)# no sshd version 1
```

■ (config) sshd

Related Commands [\(config\) ssh-key-generate](#)

(config) ssh-key-generate

To generate the SSH host key for a WAAS device, use the **ssh-key-generate** global configuration command. To remove the SSH key, use the **no** form of this command.

```
ssh-key-generate [key-length length]
```

```
no ssh-key-generate [key-length length]
```

Syntax Description	key-length length (Optional) Configures the length of the SSH key. The number of bits is 512–2048.
Defaults	key-length length : 1024 bits
Command Modes	global configuration
Device Modes	application-accelerator central-manager
Usage Guidelines	<p>Before you enter the sshd enable command, enter the ssh-key-generate command to generate a private and a public host key, which the client programs use to verify a server identity.</p> <p>When you use an SSH client and log in to a WAAS device, the public key for the SSH daemon that is running on the device is recorded in the client machine known_hosts file in your home directory. If you regenerate the host key by specifying the number of bits in the key-length command option, you must delete the old public key entry associated with the WAAS device in the known_hosts file before running the SSH client program to log in to the WAAS device. When you use the SSH client program after deleting the old entry, the known_hosts file is updated with the new SSH public key for the WAAS device.</p>
Examples	<p>The following example shows how to generate an SSH public key and then enables the SSH daemon on the WAAS device:</p> <pre>WAE(config)# ssh-key-generate Ssh host key generated successfully Saving the host key to box ... Host key saved successfully WAE(config)# sshd enable Starting ssh daemon ... Ssh daemon started successfully</pre>
Related Commands	(config) sshd

(config) tacacs

To configure TACACS+ server parameters on a WAAS device, use the **tacacs** global configuration command. To disable individual options, use the **no** form of this command.

```
tacacs {host {hostname | ip-address} [primary] | key keyword | password ascii | retransmit retries | timeout seconds}
```

```
no tacacs {host {hostname | ip-address} [primary] | key keyword | password ascii | retransmit retries | timeout seconds}
```

Syntax Description

host	Specifies a server address.
<i>hostname</i>	Hostname of the TACACS+ server.
<i>ip-address</i>	IP address of the TACACS+ server.
primary	(Optional) Sets the server as the primary server.
key <i>keyword</i>	Sets the security word. An empty string is the default.
password ascii	Specifies ASCII as the TACACS+ password type.
retransmit <i>retries</i>	Sets the number of times that requests are retransmitted to a server. The number of retry attempts allowed is 1–3. The default is 2 retry attempts.
timeout <i>seconds</i>	Sets the number of seconds to wait before a request to a server is timed out. The timeout is in seconds (1–20). The default is 5 seconds.

Defaults

keyword: none (empty string)

timeout *seconds*: 5

retries: 2

password: The default password type is PAP.

Command Modes

global configuration

Device Modes

application-accelerator

central-manager

Usage Guidelines

To enable user authentication with a TACACS+ server, use the **authentication** global configuration command. (See the [\(config\) authentication configuration](#) command.)



Note

When AAA Command Authorization is enabled for a device through the Central Manager GUI, TACACS+ CLI configuration changes are not allowed and **tacacs** commands will fail.

You can use the TACACS+ remote database to maintain login and configuration privileges for administrative users. The **tacacs host** command allows you to configure the network parameters required to access the remote database.

Use the **tacacs key** command to specify the TACACS+ key, used to encrypt the packets transmitted to the server. This key must be the same as the one specified on the server daemon. The maximum number of characters in the key should not exceed 99 printable ASCII characters (except tabs). An empty key string is the default. All leading spaces are ignored; spaces within and at the end of the key string are not ignored. Double quotes are not required even if there are spaces in the key, unless the quotes themselves are part of the key.

The **tacacs timeout** is the number of seconds that the WAAS device waits before declaring a timeout on a request to a particular TACACS+ server. The range is from 1 to 20 seconds, with 5 seconds as the default. The number of times that the WAAS device repeats a retry-timeout cycle before trying the next TACACS+ server is specified by the **tacacs retransmit** command. The default is two retry attempts.

Three unsuccessful login attempts are permitted. TACACS+ logins may appear to take more time than local logins depending on the number of TACACS+ servers and the configured timeout and retry values.

Use the **tacacs password ascii** command to specify the TACACS+ password type as ASCII. The default password type is PAP (Password Authentication Protocol). When the **no tacacs password ascii** command is used to disable the ASCII password type, the password type is once again reset to PAP.

You can configure multiple TACACS+ servers; authentication is attempted on the primary server first. If the primary server is unreachable, then authentication is attempted on the other servers in the TACACS+, in the order in which they were configured. If authentication fails for any reason other than a server is unreachable, authentication is not attempted on the other servers in the farm. This process applies regardless of the setting of the **authentication fail-over server-unreachable** command.

Examples

The following example shows how to configure the key used in encrypting packets:

```
WAE(config)# tacacs key human789
```

The following example shows how to configure the host named spearhead as the primary TACACS+ server:

```
WAE(config)# tacacs host spearhead primary
```

The following example shows how to set the timeout interval for the TACACS+ server:

```
WAE(config)# tacacs timeout 10
```

The following example shows how to set the number of times that authentication requests are retried (retransmitted) after a timeout:

```
WAE(config)# tacacs retransmit 5
```

The following example shows the password type to be PAP by default:

```
WAE# show tacacs
Login Authentication for Console/Telnet Session: enabled (secondary)
Configuration Authentication for Console/Telnet Session: enabled (secondary)

TACACS+ Configuration:
-----
TACACS+ Authentication is off
Key           = *****
Timeout       = 5
Retransmit    = 2
Password type: pap
```

```

Server                               Status
-----
10.107.192.148                       primary
10.107.192.168
10.77.140.77

```

You can configure the password type to be ASCII using the **tacacs password ascii** command. You can then verify the changes using the **show tacacs** command.

```

WAE(config)# tacacs password ascii
WAE(config)# exit
WAE# show tacacs
Login Authentication for Console/Telnet Session: enabled (secondary)
Configuration Authentication for Console/Telnet Session: enabled (secondary)

TACACS+ Configuration:
-----
TACACS+ Authentication is off
Key           = *****
Timeout       = 5
Retransmit    = 2
Password type: ascii

Server                               Status
-----
10.107.192.148                       primary
10.107.192.168
10.77.140.77

```

Related Commands

- [\(config\) authentication configuration](#)
- [show authentication](#)
- [show statistics authentication](#)
- [show statistics tacacs](#)
- [show tacacs](#)

(config) tcp

To configure TCP parameters on a WAAS device, use the **tcp** global configuration command. To disable TCP parameters, use the **no** form of this command.

```
tcp { cwnd-base segments | ecn enable | increase-xmit-timer-value value |
init-ss-threshold value | keepalive-probe-cnt count | keepalive-probe-interval seconds |
keepalive-timeout seconds }
```

```
no tcp { cwnd-base segments | ecn enable | increase-xmit-timer-value value |
init-ss-threshold value | keepalive-probe-cnt count | keepalive-probe-interval seconds |
keepalive-timeout seconds }
```

Syntax Description		
cwnd-base <i>segments</i>	Sets initial send congestion window in segments (1–10).	
ecn enable	Enables TCP explicit congestion notification.	
increase-xmit-timer-value <i>value</i>	Specifies the factor (1-3) used to modify the length of the retransmit timer by 1 to 3 times the base value determined by the TCP algorithm.	Note Use this keyword with caution. The keyword can improve throughput when TCP is used over slow reliable connections but should never be changed in an unreliable packet delivery environment.
init-ss-threshold <i>value</i>	Sets initial slow-start threshold value (2-10).	
keepalive-probe-cnt <i>count</i>	Specifies the length of time that the WAAS device keeps an idle connection open. The number of probe counts is 1–10.	
keepalive-probe-interval <i>seconds</i>	Specifies the number of times that the WAAS device retries a connection. The keepalive probe interval is in seconds (1–300).	
keepalive-timeout <i>seconds</i>	Specifies the length of time that the WAAS device keeps a connection open before disconnecting. The keepalive timeout is in seconds (1–3600).	

Defaults

```
tcp cwnd-base: 2
tcp increase-xmit-timer-value: 1
tcp init-ss-threshold: 2 segments
tcp keepalive-probe-cnt: 4
tcp keepalive-probe-interval: 75 seconds
tcp keepalive-timeout: 90 seconds
```

Command Modes

global configuration

Device Modes

application-accelerator
central-manager

Usage Guidelines

The following are the usage guidelines for this command:

**Caution**

Be careful using these parameters. In nearly all environments, the default TCP settings are adequate. Fine tuning of TCP settings is for network administrators who are experienced and have a full understanding of TCP operation details. See the *Cisco Wide Area Application Services Configuration Guide* for more information.

Use the **tcp keepalive-probe-cnt** global configuration command to specify how many times the WAAS device should attempt to connect to the device before closing the connection. The count can be from 1 to 10. The default is 4 attempts.

Use the **tcp keepalive-probe-interval** global configuration command to specify how often the WAAS device is to send out a TCP keepalive. The interval can be from 1 to 120 seconds. The default is 75 seconds.

Use the **tcp keepalive-timeout** global configuration command to wait for a response (the device does not respond) before the WAAS device logs a miss. The timeout can be from 1 to 120 seconds. The default is 90 seconds.

Examples

The following example shows how to enable a TCP explicit congestion notification:

```
WAE(config)# tcp ecn enable
```

Related Commands

[clear arp-cache](#)

[show statistics tcp](#)

[show tcp](#)

(config) telnet enable

To enable Telnet on a WAAS device, use the **telnet enable** global configuration command. To disable this feature, use the **no** form of this command.

telnet enable

no telnet enable

Syntax Description This command has no arguments or keywords.

Defaults By default, the Telnet service is enabled on a WAAS device.

Command Modes global configuration

Device Modes application-accelerator
central-manager

Usage Guidelines Use terminal emulation software to start a Telnet session with a WAAS device. You must use a console connection instead of a Telnet session to define device network settings on the WAAS device. However, after you have used a console connection to define the device network settings, you can use a Telnet session to perform subsequent configuration tasks.



Note

Messages transported between the client and the device are not encrypted.

Examples The following example shows how to enable the use of Telnet on the WAAS device:

```
WAE(config)# telnet enable
```

Related Commands [telnet](#)
[show telnet](#)

(config) tfo exception

To configure exception handling for Traffic Flow Optimization (TFO), use the **tfo exception** global configuration command. To disable TFO exception handling configuration, use the **no** form of this command.

```
tfo exception { coredump | debug | no-coredump }
```

```
no tfo exception { coredump | debug | no-coredump }
```

Syntax Description

coredump	Writes a core file (default).
debug	Hangs the system until it is explicitly restarted.
no-coredump	Restarts the accelerator and does not write a core file.

Defaults

The default is **coredump**.

Command Modes

global configuration

Device Modes

application-accelerator

Examples

The following example shows how to write TFO exception handling to a core file using the **tfo exception** command:

```
WAE(config)# tfo exception coredump
```

Related Commands

[\(config\) tfo optimize](#)

(config) tfo optimize

To configure a WAE for Traffic Flow Optimization (TFO), use the **tfo optimize** global configuration command. To disable TFO optimization, use the **no** form of this command.

```
tfo optimize {DRE {yes | no} compression {LZ | none} | full}
```

```
no tfo optimize {DRE {yes | no} compression {LZ | none} | full}
```

Syntax Description	DRE	Configures TFO optimization with or without Data Redundancy Elimination (DRE).
	yes	Enables DRE.
	no	Disables DRE.
	compression	Configures TFO optimization with or without generic compression.
	LZ	Configures TFO optimization with Lempel-Ziv (LZ) compression.
	none	Configures TFO optimization with no compression.
	full	Configures TFO optimization with DRE and LZ compression. Using this keyword is the same as specifying the tfo optimize DRE yes compression LZ command.

Defaults The default TFO optimization on a WAAS device is **tfo optimize full**.

Command Modes global configuration

Device Modes application-accelerator

Examples The following example shows to configure TFO optimization with DRE and full compression using the **tfo optimize** command:

```
WAE(config)# tfo optimize DRE yes compression full
```

Related Commands [show statistics tfo](#)

(config) tfo tcp adaptive-buffer-sizing

To configure a WAE for Traffic Flow Optimization (TFO) with TCP adaptive buffering, use the **tfo tcp adaptive-buffer-sizing** global configuration command. To disable adaptive buffer sizing or to unconfigure the buffer size, use the **no** form of this command.

tfo tcp adaptive-buffer-sizing {enable | receive-buffer-max *size* | send-buffer-max *size*}

no tfo tcp adaptive-buffer-sizing {enable | receive-buffer-max *size* | send-buffer-max *size*}

Syntax Description

enable	Enables TCP adaptive buffer sizing.
receive-buffer-max <i>size</i>	Sets the maximum size of the receive buffer. Valid values range from 1 to 32768 KB.
send-buffer-max <i>size</i>	Sets the maximum size of the send buffer. Valid values range from 1 to 32768 KB.

Defaults

Adaptive buffering is enabled by default. The default maximum send and receive buffer sizes depend on the WAE device model.

Command Modes

global configuration

Device Modes

application-accelerator

Usage Guidelines

If you would rather use preallocated and unchanging send and receive buffers, you can configure them with the following global configuration commands: **tfo tcp optimized-receive-buffer**, **tfo tcp optimized-send-buffer**, **tfo tcp original-receive-buffer**, and **tfo tcp original-send-buffer**. You can turn off adaptive buffer sizing by using the **no tfo tcp adaptive-buffer-sizing** command.

Examples

The following example shows how to configure a WAE for Traffic Flow Optimization (TFO) with TCP adaptive buffering using the **tfo tcp adaptive-buffer-sizing** command:

```
WAE(config)# tfo tcp adaptive-buffer-sizing enable
```

Related Commands

(config) tfo tcp optimized-mss
 (config) tfo tcp optimized-receive-buffer
 (config) tfo tcp optimized-send-buffer
 (config) tfo tcp original-receive-buffer
 (config) tfo tcp original-send-buffer
 show tfo tcp

(config) tfo tcp keepalive

To configure a WAE for Traffic Flow Optimization (TFO) with TCP keepalives, use the **tfo tcp keepalive** global configuration command. To disable TFO TCP keepalives, use the **no** form of this command.

tfo tcp keepalive

no tfo tcp keepalive

Syntax Description This command has no arguments or keywords.

Defaults Keepalives are disabled by default.

Command Modes global configuration

Device Modes application-accelerator

Usage Guidelines This command enables TCP keepalives on the TFO optimized sockets (the connection between two peer WAEs).

Examples The following example shows how to configure a WAE for Traffic Flow Optimization with TCP keepalives using the **tfo tcp keepalive** command:

```
WAE(config)# tfo tcp keepalive
```

Related Commands

- [\(config\) tfo tcp optimized-mss](#)
- [\(config\) tfo tcp optimized-receive-buffer](#)
- [\(config\) tfo tcp optimized-send-buffer](#)
- [\(config\) tfo tcp original-mss](#)
- [\(config\) tfo tcp original-receive-buffer](#)
- [\(config\) tfo tcp original-send-buffer](#)

(config) tfo tcp optimized-mss

To configure a WAE for Traffic Flow Optimization (TFO) with an optimized-side TCP maximum segment size, use the **tfo tcp optimized-mss** global configuration command. To disable this function, use the **no** form of this command.

tfo tcp optimized-mss *segment-size*

no tfo tcp optimized-mss *segment-size*

Syntax Description

segment-size Optimized side TCP max segment size (512–1460).

Defaults

The default value of the segment size is 1432 bytes.

Command Modes

global configuration

Device Modes

application-accelerator

Usage Guidelines

This command sets the TCP maximum segment size on TFO optimized sockets (the connection between two peer WAEs).

Examples

The following example shows how to configure a WAE for Traffic Flow Optimization with an optimized-side TCP maximum segment size of 512 using the **tfo tcp optimized-mss** command:

```
WAE(config)# tfo tcp optimized-mss 512
```

Related Commands

[\(config\) tfo tcp keepalive](#)

[\(config\) tfo tcp optimized-receive-buffer](#)

[\(config\) tfo tcp optimized-send-buffer](#)

[\(config\) tfo tcp original-mss](#)

[\(config\) tfo tcp original-receive-buffer](#)

[\(config\) tfo tcp original-send-buffer](#)

(config) tfo tcp optimized-receive-buffer

To configure a WAE for Traffic Flow Optimization (TFO) with an optimized-side receive buffer, use the **tfo tcp optimized-receive-buffer** global configuration command. To disable this function, use the **no** form of this command.

tfo tcp optimized-receive-buffer *buffer-size*

no tfo tcp optimized-receive-buffer *buffer-size*

Syntax Description	<i>buffer-size</i>	Receive buffer size in kilobytes. Valid values range from 1 to 32768 KB.
---------------------------	--------------------	--

Defaults	32 KB
-----------------	-------

Command Modes	global configuration
----------------------	----------------------

Device Modes	application-accelerator
---------------------	-------------------------

Examples	The following example shows how to configure a WAE for Traffic Flow Optimization with a 32 KB optimized-side receive buffer using the tfo tcp optimized-receive-buffer command:
-----------------	--

```
WAE(config)# tfo tcp optimized-receive-buffer 32
```

Related Commands	<p>(config) tfo tcp keepalive</p> <p>(config) tfo tcp optimized-mss</p> <p>(config) tfo tcp optimized-send-buffer</p> <p>(config) tfo tcp original-mss</p> <p>(config) tfo tcp original-receive-buffer</p> <p>(config) tfo tcp original-send-buffer</p>
-------------------------	---

(config) tfo tcp optimized-send-buffer

To configure a WAE for Traffic Flow Optimization (TFO) with an optimized-side send buffer, use the **tfo tcp optimized-send-buffer** global configuration command. To disable this function, use the **no** form of this command.

tfo tcp optimized-send-buffer *buffer-size*

no tfo tcp optimized-send-buffer *buffer-size*

Syntax Description	<i>buffer-size</i> Send buffer size in kilobytes. Valid values range from 1 to 32768 KB.
Defaults	32 KB
Command Modes	global configuration
Device Modes	application-accelerator
Usage Guidelines	The buffer should be equal to or greater than twice the Bandwidth Delay Product (BDP). The BDP is equivalent to the bandwidth (in bits per second) * latency (in seconds). For example, for a 45-Mbps link with a 150-ms (0.15 sec) round-trip delay, the BDP is 45 Mbps * 0.15 sec = 6.75 Mb, or 0.844 MB (844 KB). In this case, you could set the buffer size to 2000 KB.
Examples	The following example shows how to configure a WAE for Traffic Flow Optimization with a 32 KB optimized-side send buffer using the tfo tcp optimized-send-buffer command: WAE(config)# tfo tcp optimized-send-buffer 32
Related Commands	(config) tfo tcp keepalive (config) tfo tcp optimized-mss (config) tfo tcp optimized-receive-buffer (config) tfo tcp original-mss (config) tfo tcp original-receive-buffer (config) tfo tcp original-send-buffer

(config) tfo tcp original-mss

To configure a WAE for Traffic Flow Optimization (TFO) with an unoptimized-side TCP maximum segment size, use the **tfo tcp original-mss** global configuration command. To disable this function, use the **no** form of this command.

tfo tcp original-mss *segment-size*

no tfo tcp original-mss *segment-size*

Syntax Description	<i>segment-size</i> Specifies original (end-point) side TCP max segment size (512–1460).
Defaults	1432 bytes
Command Modes	global configuration
Device Modes	application-accelerator
Examples	<p>The following example shows how to configure a WAE for Traffic Flow Optimization with a 1432 byte unoptimized-side TCP maximum segment size using the tfo tcp original-mss command:</p> <pre>WAE(config)# tfo tcp original-mss 1432</pre>
Related Commands	<p>(config) tfo tcp keepalive</p> <p>(config) tfo tcp optimized-mss</p> <p>(config) tfo tcp optimized-receive-buffer</p> <p>(config) tfo tcp optimized-send-buffer</p> <p>(config) tfo tcp original-receive-buffer</p> <p>(config) tfo tcp original-send-buffer</p>

(config) tfo tcp original-receive-buffer

To configure a WAE for Traffic Flow Optimization (TFO) with an unoptimized-side receive buffer, use the **tfo tcp original-receive-buffer** global configuration command. To disable this function, use the **no** form of this command.

tfo tcp original-receive-buffer *buffer-size*

no tfo tcp original-receive-buffer *buffer-size*

Syntax Description	<i>buffer-size</i>	Receive buffer size in kilobytes. Valid values range from 1 to 32768 KB.
---------------------------	--------------------	--

Defaults	32 KB
-----------------	-------

Command Modes	global configuration
----------------------	----------------------

Device Modes	application-accelerator
---------------------	-------------------------

Examples	The following example shows how to configure a WAE for Traffic Flow Optimization with a 32 KB unoptimized-side receive buffer using the tfo tcp original-receive-buffer command:
-----------------	---

```
WAE(config)# tfo tcp original-receive-buffer 32
```

Related Commands	(config) tfo tcp keepalive (config) tfo tcp optimized-mss (config) tfo tcp optimized-receive-buffer (config) tfo tcp optimized-send-buffer (config) tfo tcp original-mss (config) tfo tcp original-send-buffer
-------------------------	---

(config) tfo tcp original-send-buffer

To configure a WAE for Traffic Flow Optimization (TFO) with an unoptimized-side send buffer, use the **tfo tcp original-send-buffer** global configuration command. To disable this function, use the **no** form of this command.

tfo tcp original-send-buffer *buffer-size*

no tfo tcp original-send-buffer *buffer-size*

Syntax Description	<i>buffer-size</i> Send buffer size in kilobytes. Valid values range from 1 to 32768 KB.
Defaults	32 KB
Command Modes	global configuration
Device Modes	application-accelerator
Examples	<p>The following example shows how to configure a WAE for Traffic Flow Optimization with a 32 KB unoptimized-side receive buffer using the tfo tcp original-send-buffer command:</p> <pre>WAE(config)# tfo tcp original-send-buffer 32</pre>
Related Commands	<p>(config) tfo tcp keepalive</p> <p>(config) tfo tcp optimized-mss</p> <p>(config) tfo tcp optimized-receive-buffer</p> <p>(config) tfo tcp optimized-send-buffer</p> <p>(config) tfo tcp original-mss</p> <p>(config) tfo tcp original-receive-buffer</p>

(config) transaction-logs

To configure and enable transaction logging on a WAE, use the **transaction-logs** global configuration command. To disable a transaction logging option, use the **no** form of this command.

transaction-logs { accelerator video windows-media | flow } enable

transaction-logs flow access-list *acl-name*

transaction-logs { accelerator video windows-media | flow } archive interval *seconds*

transaction-logs { accelerator video windows-media | flow } archive interval every-day
{ **at** *hour:minute* | **every** *hours* }

transaction-logs { accelerator video windows-media | flow } archive interval every-hour
{ **at** *minute* | **every** *minutes* }

transaction-logs { accelerator video windows-media | flow } archive interval every-week
[**on** *weekdays* **at** *hour:minute*]

transaction-logs { accelerator video windows-media | flow } archive max-file-size *filesize*

transaction-logs { accelerator video windows-media | flow } export compress

transaction-logs { accelerator video windows-media | flow } export enable

transaction-logs { accelerator video windows-media | flow } export ftp-server
{ *hostname* | *servipaddr* } *login passw directory*

transaction-logs { accelerator video windows-media | flow } export interval *minutes*

transaction-logs { accelerator video windows-media | flow } export interval every-day
{ **at** *hour:minute* | **every** *hours* }

transaction-logs { accelerator video windows-media | flow } export interval every-hour
{ **at** *minute* | **every** *minutes* }

transaction-logs { accelerator video windows-media | flow } export interval every-week
[**on** *weekdays* **at** *hour:minute*]

transaction-logs { accelerator video windows-media | flow } export sftp-server
{ *hostname* | *servipaddr* } *login passw directory*

Syntax Description

accelerator video windows-media	Specifies the video accelerator transaction log feature for Windows Media transactions.
flow	Specifies the TFO flow transaction log feature.
enable	Enables the transaction log feature.
access-list <i>acl-name</i>	Configures an access list name to restrict logged traffic. Only traffic that is included in the access list is logged.
archive	Configures archive parameters.
interval <i>seconds</i>	Determines how frequently the archive file is to be saved. Value is in seconds (120–604800).

every-day	Archives using intervals of 1 day or less.
at <i>hour:minute</i>	Specifies the local time at which to archive each day (hh:mm).
every <i>hours</i>	Specifies the interval in hours. The interval aligns with midnight. The intervals are as follows: 1 Hourly 12 Every 12 hours 2 Every 2 hours 24 Every 24 hours 3 Every 3 hours 4 Every 4 hours 6 Every 6 hours 8 Every 8 hours
every-hour	Specifies intervals of 1 hour or less.
at <i>minute</i>	Sets the time at each hour. The minute alignment for the hourly task is from 0 to 59.
every <i>minutes</i>	Specifies the interval in minutes for hourly task that aligns with the top of the hour. The intervals are as follows: 10 Every 10 minutes 15 Every 15 minutes 2 Every 2 minutes 20 Every 20 minutes 30 Every 30 minutes 5 Every 5 minutes
every-week	Specifies intervals of 1 or more times a week.
on <i>weekdays</i>	(Optional) Sets the day of the week and the weekdays on which to perform the task. You can specify one or more weekdays: Fri Every Friday Mon Every Monday Sat Every Saturday Sun Every Sunday Thu Every Thursday Tue Every Tuesday Wed Every Wednesday
max-file-size <i>filesize</i>	Specifies the maximum size in kilobytes (1000–2000000) of the archive file to be maintained on the local disk.
export	Configures file export parameters. The FTP export feature can support up to four servers. Each server must be configured with a username, password, and directory that are valid for that server.
compress	Enables compression of archived log files into a zip format before exporting them to external FTP servers.
ftp-server	Sets the FTP server to receive exported archived files.
<i>hostname</i>	Hostname of the target server.
<i>servipaddr</i>	IP address of the target server.
<i>login</i>	User login to target server (1–10080).
<i>passw</i>	User password to target server (less than 40 characters).
<i>directory</i>	Target directory path for exported files on the server.

interval <i>minutes</i>	Specifies the interval in minutes (1–10080) at which to export a file.
sftp-server	Sets the Secure File Transfer Protocol (SFTP) server to receive exported archived files.

Defaults

The default settings for the logging feature are as follows:

archive: disabled

enable: disabled

export compress: disabled

export: disabled

archive interval: every day, every one hour

archive max-file-size: 2,000,000 KB

export interval: every day, every one hour

Command Modes

global configuration

Device Modes

application-accelerator

Related Commands

[clear arp-cache](#)

[show transaction-logging](#)

[transaction-log](#)

(config) username

To establish username authentication on a WAAS device, use the **username** global configuration command. To disable this feature, use the **no** form of this command.

```
username name {password {0 plainword | 1 cryptoword | plainword} [uid uid] |
print-admin-password {0 plainword | 1 cryptoword plainword | plainword} |
privilege {0 | 15}}
```

```
no username name {password {0 plainword | 1 cryptoword | plainword} [uid uid] |
print-admin-password {0 plainword | 1 cryptoword plainword | plainword} |
privilege {0 | 15}}
```

Syntax Description

<i>name</i>	Username.
password	Specifies the password for the user.
0	Specifies an unencrypted user password.
<i>plainword</i>	Clear-text user password. Passwords are case sensitive, must be 1 to 31 characters, and cannot contain the characters ' " (apostrophe, double quote, or pipe) or any control characters.
1	Specifies a hidden user password.
<i>cryptoword</i>	Encrypted user password.
uid <i>uid</i>	(Optional) Sets the text user ID for the password (2001–65535).
print-admin-password	Sets the user print administration password.
privilege	Sets the user privilege level.
0	Specifies the user privilege level for the normal user.
15	Specifies the user privilege level for the superuser.

Defaults

The **password** value is set to 0 (clear text) by default.

The default administrator account is as follows:

- Uid: 0
- Username: admin
- Password: default
- Privilege: superuser (15)

Command Modes

global configuration

Device Modes

application-accelerator

central-manager

**Usage Guidelines****Note**

We strongly recommend that you use the WAAS Central Manager GUI instead of the WAAS CLI to configure passwords and privilege levels for users on your WAAS devices, if possible. For information about how to use the WAAS Central Manager GUI to centrally configure and administer users on a single WAE or group of WAEs, which are registered with a WAAS Central Manager, see the *Cisco Wide Area Application Services Configuration Guide*.

Legacy print services are deprecated and no longer supported in WAAS 4.2.x and later. We recommend using the Windows print accelerator (see the [\(config\) accelerator windows-print](#) command).

Examples

The following example demonstrates how passwords and privilege levels are reconfigured:

```
WAE# show user username abeddoe
Uid          : 2003
Username     : abeddoe
Password     : ghQ.GyGhP96K6
Privilege    : normal user

WAE# show user username bwhidney
Uid          : 2002
Username     : bwhidney
Password     : bhlohIbIwAMOk
Privilege    : normal user

WAE(config)# username bwhidney password 1 victoria

WAE(config)# username abeddoe privilege 15
User's privilege changed to super user (=15)

WAE# show user username abeddoe
Uid          : 2003
Username     : abeddoe
Password     : ghQ.GyGhP96K6
Privilege    : super user

WAE# show user username bwhidney
Uid          : 2002
Username     : bwhidney
Password     : mhYWYw.7P1Ld6
Privilege    : normal user
```

Related Commands

[show user](#)

(config) virtual-blade

To configure virtual blades on your WAAS device, use the **virtual-blade** global configuration command. To negate these actions, use the **no** form of this command.

virtual-blade {*virtual-blade-number* | **enable**}

no virtual-blade {*virtual-blade-number* | **enable**}

Syntax Description

<i>virtual-blade-number</i>	Number of the virtual blade that you want to edit. This value can be from 1 through 6, depending on the number of virtual blades supported on the device. Using this command enables virtual blade configuration mode. See the “ Virtual Blade Configuration Mode Commands ” section for more information.
enable	Enables the virtual blade feature on your WAAS device. You must reboot the device after executing this command.

Defaults

No default behavior or values.

Command Modes

global configuration

Device Modes

application-accelerator

Usage Guidelines

Use the **virtual-blade** global configuration command to enter virtual blade configuration mode. This command is available only on WAAS devices that support virtual blades.

Examples

The following example shows how to enable the virtual blade feature on your device:

```
WAE(config)# virtual-blade enable
WAE(config)# exit
```

The following example shows that after a reload, you can enter **show EXEC** command to see the new virtual blade resource allocation:

```
# show virtual-blade
Virtual-blade resources:
  VB Memory: 299MiB configured, 1749MiB available.
  VB Disk space: 0GiB configured, 204GiB available.
  /local1/vbs: 128MiB used, 214203MiB available
  CPU(s) assigned: 3 4
Virtual-blade(s) state:
  virtual-blade 2 has incomplete configuration
```

The following example puts your device into virtual blade configuration mode, editing virtual blade 2. The mode change is indicated by the system prompt:

```
WAE(config)# virtual-blade 2
```

```
WAE(config-vb) #
```

Related Commands

[show virtual-blade](#)
[\(config-vb\) autostart](#)
[\(config-vb\) boot](#)
[\(config-vb\) cpu-list](#)
[\(config-vb\) description](#)
[\(config-vb\) device](#)
[\(config-vb\) disk](#)
[\(config-vb\) interface](#)
[\(config-vb\) memory](#)
[\(config-vb\) vnc](#)

(config) wccp access-list

To configure an IP access list on a WAE for inbound WCCP GRE encapsulated traffic, use the **wccp access-list** global configuration command. To disable this feature, use the **no** form of this command.

```
wccp access-list {acl-number | ext-acl-number | acl-name }
```

```
no wccp access-list {acl-number | ext-acl-number | acl-name }
```

Syntax Description		
	<i>acl-number</i>	Standard IP access list number (1–99).
	<i>ext-acl-number</i>	Extended IP access list number (100–199).
	<i>acl-name</i>	Name of the access list. You can use a maximum of 30 characters.

Defaults WCCP access lists are not configured by default.

Command Modes global configuration

Device Modes application-accelerator

Usage Guidelines The **wccp access-list** *number* global configuration command configures an access control list to allow access to WCCP applications. See the *Cisco Wide Area Application Services Configuration Guide* for a detailed description of how to use standard IP ACLs to control WCCP access on a WAE.



Note

WCCP works only with IPv4 networks.

Examples The following example shows how to configure the WAE to apply IP access list number 10 to the inbound WCCP traffic:

```
WAE(config)# wccp access-list 10
```

The following example shows sample output from the **show ip access-list** EXEC command from a WAE that has several WCCP access lists configured:

```
WAE(config)# show ip access-list
Space available:
  40 access lists
 489 access list conditions

Standard IP access list 10
 1 deny 10.1.1.1
 2 deny any
   (implicit deny any: 0 matches)
 total invocations: 0
Standard IP access list 98
 1 permit any
```

```

        (implicit deny any: 0 matches)
    total invocations: 0
Extended IP access list 100
  1 permit icmp any any
    (implicit fragment permit: 0 matches)
    (implicit deny ip any any: 0 matches)
  total invocations: 0
Extended IP access list 101
  1 permit ip any any
    (implicit fragment permit: 0 matches)
    (implicit deny ip any any: 0 matches)
  total invocations: 0
Extended IP access list 102
  1 permit icmp 0.0.1.1 255.255.0.0 any
    (implicit fragment permit: 0 matches)
    (implicit deny ip any any: 0 matches)
  total invocations: 0
Extended IP access list 111
  1 permit gre 0.1.1.1 255.0.0.0 any
    (implicit fragment permit: 0 matches)
    (implicit deny ip any any: 0 matches)
  total invocations: 0
Extended IP access list 112
  1 permit ip any any
    (implicit fragment permit: 0 matches)
    (implicit deny ip any any: 0 matches)
  total invocations: 0
Extended IP access list 113
  1 permit gre 0.1.1.1 255.0.0.0 any
    (implicit fragment permit: 0 matches)
    (implicit deny ip any any: 0 matches)
  total invocations: 0
Extended IP access list ext_acl_2
  1 permit gre any any
    (implicit fragment permit: 0 matches)
    (implicit deny ip any any: 0 matches)
  total invocations: 0
Extended IP access list extended_ip_acl
  1 permit tcp any eq 2 any eq exec
    (implicit fragment permit: 0 matches)
    (implicit deny ip any any: 0 matches)
  total invocations: 0

Interface access list references:
PortChannel    2    inbound  extended_ip_acl
PortChannel    2    outbound 101

Application access list references:
snmp-server                standard 2
  UDP ports: none (List Not Defined)
WCCP                       either 10
  Any IP Protocol

```

The following example shows sample output from the **show wccp gre EXEC** command when WCCP access lists are defined on the WAE:

```

WAE# show wccp gre
Transparent GRE packets received:          366
Transparent non-GRE packets received:      0
Transparent non-GRE packets passed through: 0
Total packets accepted:                    337
Invalid packets received:                  0
Packets received with invalid service:     0
Packets received on a disabled service:    0

```

```
Packets received too small: 0
Packets dropped due to zero TTL: 0
Packets dropped due to bad buckets: 0
Packets dropped due to no redirect address: 0
Packets dropped due to loopback redirect: 0
Connections bypassed due to load: 0
Packets sent back to router: 0
Packets sent to another CE: 0
GRE fragments redirected: 0
Packets failed GRE encapsulation: 0
Packets dropped due to invalid fwd method: 0
Packets dropped due to insufficient memory: 0
Packets bypassed, no conn at all: 0
Packets bypassed, no pending connection: 0
Packets due to clean wccp shutdown: 0
Packets bypassed due to bypass-list lookup: 0
Packets received with client IP addresses: 0
Conditionally Accepted connections: 0
Conditionally Bypassed connections: 0
L2 Bypass packets destined for loopback: 0
Packets w/WCCP GRE received too small: 0
Packets dropped due to IP access-list deny: 29
L2 Packets fragmented for bypass: 0
```

Related Commands**(config) egress-method****show ip access-list****show wccp**

(config) wccp flow-redirect

To enable WCCP flow redirection on a WAE, use the **wccp flow-redirect** global configuration command. To disable flow redirection, use the **no** form of this command.

wccp flow-redirect enable

no wccp flow-redirect enable

Syntax Description	enable	Enables flow redirection.
--------------------	--------	---------------------------

Defaults	Enabled
----------	---------

Command Modes	global configuration
---------------	----------------------

Device Modes	application-accelerator
--------------	-------------------------

Usage Guidelines	Use the wccp flow-redirect global configuration command to implement WCCP flow protection. Flow protection is designed to keep the TCP flow intact as well as to not overwhelm WAEs when they are first started up or are reassigned new traffic. This feature also has a slow start mechanism where the WAEs try to take a load appropriate for their capacity.
------------------	---



Note

When you enable bypass, the client tries to reach the origin web server. You must disable all bypass options to eliminate an unnecessary burden on the network.

WCCP works only with IPv4 networks.

Examples	The following example shows how to enable WCCP flow protection on a WAE:
----------	--

```
WAE(config)# wccp flow-redirect enable
```

Related Commands	show wccp
------------------	---------------------------

(config) wccp router-list

To configure a router list for WCCP Version 2, use the **wccp router-list** global configuration command. To disable this function, use the **no** form of this command.

wccp router-list *number ip-address*

no wccp router-list *number ip-address*

Syntax Description	
<i>number</i>	Router list number (1–8).
<i>ip-address</i>	IP address of the router to add to the list.

Defaults Disabled

Command Modes global configuration

Device Modes application-accelerator

Usage Guidelines Each router list can contain up to 32 routers and you can have up to 8 router lists.



Note

Do not create or modify router list number 8. The WAAS Central Manager uses router list number 8 for a default router list that contains the default gateway.



Note

The **ip wccp** global configuration command must be used to enable WCCP on each router that is included on the router list.

WCCP works only with IPv4 networks.

Examples

The following example shows how that router list number 7 is created and contains a single router (the WCCP Version 2-enabled router with IP address 192.168.68.98):

```
WAE(config)# wccp router-list 7 192.168.68.98
```

The following example shows how to delete the router list number 7 created in the previous example:

```
WAE(config)# no wccp router-list 7 192.168.68.98
```

The following example shows how to create a router list (router list 1) and then configure the WAE to accept redirected TCP traffic from the WCCP Version 2-enabled router on router list 1:

```
WAE(config)# wccp router-list 1 10.10.10.2
WAE(config)# wccp tcp-promiscuous router-list 1
WAE(config)# wccp version 2
```

■ (config) wccp router-list

Related Commands [\(config\) wccp version](#)

(config) wccp shutdown

To set the maximum time interval after which the WAE will perform a clean shutdown of the WCCP, use the **wccp shutdown** global configuration command. To disable the clean shutdown, use the **no** form of this command.

wccp shutdown max-wait *seconds*

no wccp shutdown max-wait *seconds*

Syntax Description

max-wait <i>seconds</i>	Sets the clean shutdown time interval. The time is in seconds (0–86400). The default is 120 seconds
--------------------------------	---

Defaults

The maximum time interval before a clean shutdown is 120 seconds by default.

Command Modes

global configuration

Device Modes

application-accelerator

Usage Guidelines

To prevent broken TCP connections, the WAE performs a clean shutdown of the WCCP after you enter the **reload** or **wccp version** command. The WAE does not reboot until either all connections have been serviced or the configured **max-wait** interval has elapsed.



Note

WCCP works only with IPv4 networks.

Examples

The following example shows how to configure the WAE to wait 1000 seconds:

```
WAE(config)# wccp shutdown max-wait 1000
```

The following example shows how to shut down WCCP Version 2 on the WAE by entering the **no wccp version 2** command. In this case, after you enter the **no wccp version 2** command, the WAE waits 1000 seconds before it shuts down WCCP Version 2.

```
WAE(config)# no wccp version 2
```

A countdown message appears, indicating how many seconds remain before WCCP will be shut down on the WAE:

```
Waiting (999 seconds) for WCCP shutdown. Press ^C to skip shutdown
```

The clean shutdown can be aborted while in progress by simultaneously pressing **^C** after the countdown message appears.

■ (config) wccp shutdown

Related Commands (config) wccp flow-redirect
 (config) wccp version

(config) wccp tcp-promiscuous mask

To configure the Web Cache Coordination Protocol (WCCP) Version 2 TCP promiscuous mode service (WCCP Version 2 services 61 and 62) mask on a WAE, use the **wccp tcp-promiscuous mask** global configuration command. To disable this function, use the **no** form of this command.

```
wccp tcp-promiscuous mask {dst-ip-mask mask | src-ip-mask mask}
```

```
no wccp tcp-promiscuous mask {dst-ip-mask mask | src-ip-mask mask}
```

Syntax Description

mask	Specifies the mask used for WAE assignment.
dst-ip-mask <i>mask</i>	Specifies the IP address mask defined by a hexadecimal number (for example, 0xFE000000) used to match the packet destination IP address. The range is 0x00000000–0xFE000000. The default is 0x00000000.
src-ip-mask <i>mask</i>	Specifies the IP address mask defined by a hexadecimal number (for example, 0xFE000000) used to match the packet source IP address. The range is 0x00000000–0xFE000000. The default is 0xF00.

Command Modes

global configuration

Device Modes

application-accelerator

Usage Guidelines

In a service farm where the WAEs have different masks, the first WAE to establish two-way communication with the router(s) determines the farm's mask. All other WAEs cannot join the farm unless they are configured with the same mask.

Examples

The following example shows how to set a TCP promiscuous mode service mask on the source IP address:

```
WAE # wccp tcp-promiscuous mask src-ip-mask 0xFC0
```

Related Commands

(config) [egress-method](#)
 (config) [wccp router-list](#)
[show wccp](#)

(config) wccp tcp-promiscuous router-list-num

To configure the Web Cache Coordination Protocol (WCCP) Version 2 TCP promiscuous mode service (WCCP Version 2 services 61 and 62) on a WAE, use the **wccp tcp-promiscuous router-list-num** global configuration command. To disable this function, use the **no** form of this command.

```
wccp tcp-promiscuous router-list-num number [assign-method-strict | hash-destination-ip |
hash-source-ip | l2-redirect | l2-return | mask-assign | password password | weight weight]
```

```
no wccp tcp-promiscuous router-list-num number [assign-method-strict | hash-destination-ip |
hash-source-ip | l2-redirect | l2-return | mask-assign | password password | weight weight]
```

Syntax Description

router-list-num <i>number</i>	Specifies the number of the WCCP router list (1–8) that should be associated with the TCP promiscuous mode service. (These WCCP Version 2-enabled routers will transparently redirect TCP traffic to the WAE.)
assign-method-strict	(Optional) Specifies that only the configured assignment method be used.
hash-destination-ip	(Optional) Specifies that the load-balancing hash method should make use of the destination IP address. You can specify both the hash-destination-ip option and the hash-source-ip option.
hash-source-ip	(Optional) Specifies that the load-balancing hash method should make use of the source IP address. This is the default.
l2-redirect	(Optional) Specifies that Layer 2 redirection be used for packet forwarding. If the WAE has a Layer 2 connection with the device, and the device is configured for Layer 2 redirection, Layer 2 redirection permits the WAE to receive transparently redirected traffic from a WCCP Version 2-enabled switch or router.
l2-return	(Optional) Specifies that Layer 2 rewriting be used for packet return.
mask-assign	(Optional) Specifies that the mask method be used for WAE assignment.
password <i>password</i>	(Optional) Specifies the WCCP service password to be used for secure traffic between the WAEs within a cluster and the router for a specified service. Be sure to enable all other WAEs and routers within the cluster with the same password. You can use a maximum of 8 characters.
weight <i>weight</i>	(Optional) Specifies that a weight percentage be used. The weight represents a percentage of the total load redirected to the device for load-balancing purposes (for example, a WAE with a weight of 30 receives 30 percent of the total load). The weight value ranges from 0 to 100 percent. By default, weights are not assigned and the traffic load is distributed evenly between the WAEs in a service groups.

Command Modes

global configuration

Device Modes

application-accelerator

Usage Guidelines

To configure the egress method for WCCP intercepted connections, use the **egress-method** global configuration command.

**Note**

WCCP works with IPv4 networks only.

Examples

The following example shows how to turn on the TCP promiscuous mode service and associate this service with the router list:

```
WAE # wccp tcp-promiscuous router-list-num 1
WCCP configuration for TCP Promiscuous service 61 succeeded.
WCCP configuration for TCP Promiscuous succeeded.
Please remember to configure WCCP service 61 and 62 on the corresponding router.
```

Related Commands

(config) [egress-method](#)
(config) [wccp router-list](#)
[show wccp](#)

(config) wccp version

To specify the version of WCCP that the WAE should use, enter the **wccp version** global configuration command. To disable the currently running version, use the **no** form of this command.

wccp version 2

no wccp version 2

Syntax Description This command has no arguments or keywords.

Defaults No default behavior or values.

Command Modes global configuration

Device Modes application-accelerator

Usage Guidelines You must configure a WAE to use WCCP Version 2 instead of WCCP Version 1 because WCCP Version 1 only supports web traffic (port 80).

The WAE performs a clean shutdown after a **reload** or **no wccp version 2** command is entered. A clean shutdown prevents broken TCP connections.



Note

WCCP works only with IPv4 networks.

Examples The following example shows how to enable WCCP Version 2 on a WAE:

```
WAE(config)# wccp version 2
```

Related Commands [\(config\) wccp tcp-promiscuous mask](#)
[\(config\) wccp router-list](#)

(config) windows-domain

To configure Windows domain server options on a WAAS device, use the **windows-domain** global configuration command. To disable this feature, use the **no** form of this command.

```
windows-domain { administrative group { normal-user | super-user } groupname |
comment string | netbios-name name | password-server { hostname | ipaddress } |
realm kerberos-realm | wins-server { hostname | ipaddress } | workgroup name |
security ADS }
```

```
no windows-domain { administrative group { normal-user | super-user } groupname |
comment string | netbios-name | password-server { hostname | ipaddress } |
realm kerberos-realm | wins-server { hostname | ipaddress } | workgroup name |
security ADS }
```

Syntax Description

administrative	Sets administrative options.
group	Sets an administrative group name.
normal-user	Sets the administrative group name for the normal user (privilege 0).
super-user	Sets the administrative group name for the superuser (privilege 15).
<i>groupname</i>	Name of the administrative group.
comment <i>string</i>	Specifies a comment for the Windows domain server. This is a text string.
netbios-name <i>name</i>	Specifies the NetBIOS name of the WAE. This name is provided when the Edge FE announces its availability for print services.
password-server	Specifies the password server used to verify a client password.
<i>hostname</i>	Hostname of the password server.
<i>ipaddress</i>	IP address of the password server.
realm <i>kerberos-realm</i>	Specifies the Kerberos realm to use for authentication. The realm is used as the Active Directory Service (ADS) equivalent of the NT4 domain. This argument is valid only when Kerberos ADS mode is used. The value is an IP address or name (in uppercase letters) of the Kerberos realm. The Kerberos realm is typically set to the DNS name of the Kerberos server or Active Directory domain. The default value is a null string. Example: <code>kerberos-realm = MYBOX.MYCOMPANY.COM</code>
wins-server	Specifies the Windows Internet Naming Service (WINS) server.
<i>hostname</i>	Hostname of the WINS server.
<i>ipaddress</i>	IP address of the WINS server.
workgroup <i>name</i>	Specifies the name of the workgroup (or domain) in which the WAAS device resides.
security	Sets Kerberos authentication.
ADS	Specifies the Active Directory Service.

Defaults

Windows domain options are disabled by default.

Command Modes global configuration

Device Modes application-accelerator
central-manager

Usage Guidelines Use this global configuration command to set the Windows domain server parameters for a WAAS device.

When you enable Kerberos authentication, the default **realm** is DOMAIN.COM and the **security** is ADS. If you disable Kerberos authentication, the **security** is domain.

**Note**

WAAS supports authentication by a Windows domain controller running only on Windows Server 2000 or Windows Server 2003.

Examples The following example shows how to configure the Windows domain server at 10.10.24.1 for an Edge FE with a NetBIOS name of myFileEngine in the ABD domain. It also identifies the password server:

```
WAE(config)# windows-domain wins-server 10.10.24.1
WAE(config)# windows-domain password-server 10.10.100.4
WAE(config)# windows-domain netbios-name myFileEngine
WAE(config)# windows-domain workgroup ABC
```

The following example shows how to configure the windows domain server when Kerberos authentication is enabled using the **kerberos** command:

```
WAE(config)# windows-domain realm ABC.COM
WAE(config)# windows security ADS

===== checking new config using testparm =====

Load smb config files from /state/actona/conf/smb.conf
Processing section "[print$]"
Processing section "[printers]"
Loaded services file OK.

WAE(config)# exit
WAE# show windows-domain
  Login Authentication for Console/Telnet Session: enabled

Windows domain Configuration:
-----
  Workgroup:
  Comment: Comment:
  Net BIOS: MYFILEENGINE
  Realm: ABC
  WINS Server: 10.10.10.1
  Password Server: 10.10.10.10
  Security: ADS
```

Related Commands [\(config\) kerberos](#)

```
show windows-domain  
windows-domain
```

Interface Configuration Mode Commands

To set, view, and test the configuration of WAAS software features on a specific interface, use the **interface** global configuration command.

```
interface { GigabitEthernet slot/port | InlineGroup slot/group | PortChannel 1 | Standby 1 }
```

Syntax Description

GigabitEthernet <i>slot/port</i>	Selects a gigabit ethernet interface to configure.
InlineGroup <i>slot/group</i>	Selects an inline group interface to configure.
PortChannel 1	Selects the port channel interface to configure.
Standby 1	Selects the standby group to configure.

Defaults

No default behavior or values.

Command Modes

global configuration

Device Modes

application-accelerator

Usage Guidelines

Within interface configuration mode, you can use the interface commands (**autosense**, **bandwidth**, **cdp**, etc.) to configure the specified interface.

To return to global configuration mode, use the **exit** command at the interface configuration mode prompt.

Examples

The following example shows how to enter interface configuration mode:

```
WAE(config)# interface gigabitethernet 1/0
WAE(config-if)#
```

Related Commands

[\(config\) interface InlineGroup](#)
[\(config\) interface PortChannel](#)
[\(config\) interface standby](#)

(config-if) autosense

To enable autosense on an interface, use the **autosense** interface configuration command. To disable this function, use the **no** form of this command.

autosense

no autosense

Syntax Description This command has no arguments or keywords.

Defaults Autosense is enabled by default.

Command Modes interface configuration

Device Modes application-accelerator
central-manager

Usage Guidelines Cisco router Ethernet interfaces do not negotiate duplex settings. If the WAAS device is connected to a router directly with a crossover cable, the WAAS device interface must be manually set to match the router interface settings. Disable **autosense** before configuring an Ethernet interface. When **autosense** is on, manual configurations are overridden. You must reboot the WAAS device to start autosensing.

Examples The following example shows how to disable autosense on Gigabit Ethernet port 1/0:

```
WAE(config)# interface GigabitEthernet 1/0
WAE(config-if)# no autosense
```

The following example shows how to reenable autosense on Gigabit Ethernet port 1/0:

```
WAE(config)# interface GigabitEthernet 1/0
WAE(config-if)# autosense
WAE(config-if)# exit
WAE(config)# exit
WAE# reload
```

Related Commands [\(config\) interface GigabitEthernet](#)
[show interface](#)
[show running-config](#)
[show startup-config](#)

(config-if) bandwidth

To configure the link speed on a network interface, use the **bandwidth** interface configuration command. To restore default values, use the **no** form of this command.

bandwidth {10 | 100 | 1000}

no bandwidth {10 | 100 | 1000}

Syntax Description	10	Sets the link speed to 10 megabits per second (Mbps).
	100	Sets the link speed to 100 Mbps.
	1000	Sets the link speed to 1000 Mbps. This option is not available on all ports and is the same as autosense.

Defaults No default behaviors or values.

Command Modes interface configuration

Device Modes application-accelerator
central-manager

Usage Guidelines To configure the link speed of a network interface on a WAAS device, use the **bandwidth** interface configuration command. The speed is specified in megabits per second (Mbps). The WAAS software automatically enables autosense if the speed is set to 1000 Mbps.

You can configure the Gigabit Ethernet interface settings (autosense, link speed, and duplex settings) if the Gigabit over copper interface is up or down. If the interface is up, it applies the specific interface settings. If the interface is down, the specified settings are stored and then applied when the interface is brought up. For example, you can specify any of the following commands for a Gigabit over copper interface, which is currently down, and have these settings automatically applied when the interface is brought up.

```
WAE(config-if)# bandwidth 10
WAE(config-if)# bandwidth 100
WAE(config-if)# bandwidth 1000
WAE(config-if)# autosense
WAE(config-if)# half-duplex
WAE(config-if)# full-duplex
```



Note We strongly recommend that you do not use half duplex on the WAE, routers, switches, or other devices. Half duplex impedes the system ability to improve performance and should not be used. Check each Cisco WAE interface and the port configuration on the adjacent device (router, switch, firewall, WAE) to verify that full duplex is configured.

Examples

The following example shows how to set an interface bandwidth to 1000 Mbps:

```
WAE(config-if)# bandwidth 1000
```

The following example shows how to restore default bandwidth values on an interface:

```
WAE(config-if)# no bandwidth
```

Related Commands

[\(config-if\) autosense](#)

[\(config\) interface GigabitEthernet](#)

(config-if) cdp

To enable the Cisco Discovery Protocol (CDP) on a particular interface on a WAAS device, rather than on all interfaces, use the **cdp enable** interface configuration command.

cdp enable

Syntax	Description
enable	Enables CDP on an interface.

Defaults No default behavior or values.

Command Modes interface configuration

Device Modes application-accelerator
central-manager

Usage Guidelines Using the **cdp enable** command in global configuration mode enables CDP globally on all the interfaces of the WAAS device. If you want to control CDP behavior per interface, then use the **cdp enable** command in interface configuration mode.



Note

Enabling CDP at the interface level overrides the global control. However, you must enable CDP globally on the WAAS device before you enable CDP on an interface. Otherwise, the following message is displayed in the command output:

```
WAE(config-if)# cdp enable
Cannot enable CDP on this interface, CDP Global is disabled
```

Examples The following example shows how to enable CDP on Gigabit Ethernet interface (slot 1/port 0) of the WAAS device:

```
WAE# configure
WAE(config)# cdp enable
WAE(config)# interface GigabitEthernet 1/0
WAE(config-if)# cdp enable
```

Related Commands

- [\(config\) cdp](#)
- [show cdp](#)
- [show interface](#)
- [show running-config](#)

`show startup-config`

(config-if) encapsulation dot1Q

To set the VLAN ID that is to be assigned to traffic that leaves a WAE, use the **encapsulation dot1Q** interface configuration command.

encapsulation dot1Q *VLAN*

Syntax Description	<i>VLAN</i> VLAN ID from 1–4094.
Defaults	No default behavior or values.
Command Modes	interface configuration
Device Modes	application-accelerator

Usage Guidelines The **encapsulation dot1Q** command is available only for the inlineGroup interface.



Note

If the VLAN ID that you set with the **encapsulation dot1Q** interface command does not match the VLAN ID expected by the router subinterface, you may not be able to connect to the inline interface IP address.

The inline adapter supports only a single VLAN ID for each inline group interface. If you have configured a secondary address from a different subnet on an inline interface, you must have the same secondary address assigned on the router subinterface for the VLAN.

Examples The following example shows how to set a VLAN ID to encapsulate traffic leaving the WAE:

```
(config)# interface inlineGroup 1/0
(config-if)# encapsulation dot1Q 100
```

Related Commands [\(config\) interface GigabitEthernet](#)
[\(config-if\) ip](#)

(config-if) exit

To terminate interface configuration mode and return to the global configuration mode, use the **exit** command.

exit

Syntax Description This command has no arguments or keywords.

Defaults No default behavior or values

Command Modes All modes

Device Modes application-accelerator
central-manager

Examples The following example shows how to terminate interface configuration mode and return to global configuration mode:

```
WAE(config-if)# exit
WAE(config)#
```

(config-if) failover timeout

To set the maximum time for the inline interface to transition traffic to another port after a failure event, use the **failover timeout** interface configuration command. To disable this function, use the **no** form of this command.

failover timeout {1 | 3 | 5}

no failover timeout {1 | 3 | 5}

Syntax Description

1	Specifies the number of seconds to a failover.
3	Specifies the number of seconds to a failover.
5	Specifies the number of seconds to a failover.

Defaults

The default is 1 second.

Command Modes

interface configuration

Device Modes

application-accelerator
central-manager

Usage Guidelines

The **failover timeout** command is used in inlineGroup interface scope. It sets the maximum time (in seconds) for the inline interface to transition to a fail-to-wire mode of operation after a failure event occurs (such as a power outage and kernel crash). For example, if the timeout is set to 3 seconds, traffic is dropped for a maximum of 3 seconds after the WAE loses power or suffers a kernel crash. After this time, all traffic received on either port of the group interface is sent out of the other port in the group. The default timeout is 1 second.

Examples

The following example shows how to set the failover time limit for the inline group 0 of the adapter that is installed in slot 1 to 5 seconds and then remove that setting:

```
(config)# interface inlineGroup 1/0
(config-if)# failover timeout 5
(config-if)# no failover timeout 5
```

Related Commands

[\(config\) interface GigabitEthernet](#)
[\(config-if\) inline](#)
[\(config-if\) shutdown](#)

(config-if) full-duplex

To configure an interface for full-duplex operation on a WAAS device, use the **full-duplex** interface configuration command. To disable this function, use the **no** form of this command.

full-duplex

no full-duplex

Syntax Description This command has no arguments or keywords.

Defaults No default behavior or values.

Command Modes interface configuration

Device Modes application-accelerator
central-manager

Usage Guidelines Use this interface command to configure an interface for full duplex. Full duplex allows data to travel in both directions at the same time through an interface or a cable. Half duplex ensures that data travels only in one direction at any given time. Although full duplex is faster, the interfaces sometimes cannot operate effectively in this mode. If you encounter excessive collisions or network errors, configure the interface for half duplex rather than full duplex.



Note We strongly recommend that you do not use half duplex on the WAE, routers, switches, or other devices. Half duplex impedes the system ability to improve performance and should not be used. Check each Cisco WAE interface and the port configuration on the adjacent device (router, switch, firewall, WAE) to verify that full duplex is configured.

Examples The following example shows how to configure full duplex on a Gigabit Ethernet interface in slot 1/port 0:

```
WAE# configure
WAE(config)# interface GigabitEthernet 1/0
WAE(config-if)# full-duplex
```

The following example shows how to disable full duplex:

```
WAE(config-if)# no full-duplex
```

Related Commands [\(config-if\) half-duplex](#)

```
(config) interface GigabitEthernet  
show interface  
show running-config  
show startup-config
```

(config-if) half-duplex

To configure an interface for half-duplex operation on a WAAS device, use the **half-duplex** interface configuration command. To disable this function, use the **no** form of this command.

half-duplex

no half-duplex

Syntax Description This command has no arguments or keywords.

Defaults No default behavior or values.

Command Modes interface configuration

Device Modes application-accelerator
central-manager

Usage Guidelines Use this interface configuration command to configure an interface for half duplex. Full duplex allows data to travel in both directions at the same time through an interface or a cable. Half duplex ensures that data travels only in one direction at any given time. Although full duplex is faster, the interfaces sometimes cannot operate effectively in this mode. If you encounter excessive collisions or network errors, configure the interface for half duplex rather than full duplex.



Note We strongly recommend that you do not use half duplex on the WAE, routers, switches, or other devices. Half duplex impedes the system ability to improve performance and should not be used. Check each Cisco WAE interface and the port configuration on the adjacent device (router, switch, firewall, WAE) to verify that full duplex is configured.

Examples The following example shows how to configure half duplex on the Gigabit Ethernet interface in slot 1/port 0:

```
WAE# configure
WAE(config)# interface GigabitEthernet 1/0
WAE(config-if)# half-duplex
```

The following example shows how to disable half duplex:

```
WAE(config-if)# no half-duplex
```

Related Commands [\(config-if\) full-duplex](#)

```
(config) interface GigabitEthernet  
show interface  
show running-config  
show startup-config
```


(config-if) inline

To enable inline interception for an inlineGroup interface, use the **inline** interface configuration command. To disable inline interception, use the **no** form of this command.

```
inline [vlan {all | native | vlan_list}]
```

```
no inline [vlan {all | native | vlan_list}]
```

Syntax Description

vlan	(Optional) Modifies the VLAN list parameters.
all	Applies the command to all tagged and untagged packets.
native	Specifies untagged packets.
<i>vlan_list</i>	List of VLAN IDs to either allow or restrict on this interface. A comma (,) is used to separate list entries. A hyphen (-) is used to specify a range of VLAN IDs. The valid range is 0 to 4095.

Defaults

The default is enabled for all VLANs if you have a WAE inline network adapter installed.

Command Modes

interface configuration

Device Modes

application-accelerator
central-manager

Usage Guidelines

The **inline** command is used in the inlineGroup interface scope. It enables or disables inline interception. If the VLAN list is omitted, the command applies to all VLAN tagged or untagged packets. You can restrict the inline feature to any specified set of VLANs.

The VLAN list can be “all,” a comma-separated list of VLAN IDs, or ranges of VLAN IDs. The special VLAN ID “native” can be included to specify untagged packets.



Note When inline inspection is active, you cannot configure WCCP until you explicitly disable the inline capability on all VLANs. Conversely, you cannot enable inline interception on any inline groups until you disable WCCP.

Examples

The following example shows how to enable inline interception for all untagged and tagged packets with any VLAN ID received on ports in inlineGroup 0 of the adapter that is installed in slot 1:

```
(config)# interface inlineGroup 1/0
(config-if)# inline
(config-if)# exit
```

The following example shows how to disable inline interception on the same ports for 802.1Q-encapsulated packets that have the VLAN ID 5 or any VLAN ID between 10 and 15, inclusive. If the two VLANs are combined in the given order, inline interception is performed for all packets received on ports in group 0 of slot 1, except those packets on VLANs 5, 10, 11, 12, 13, 14, and 15.

```
(config)# interface inlineGroup 1/0
(config-if)# no inline vlan 5,10-15
(config-if)# exit
```

The following example shows how to enable inline interception for all untagged traffic and traffic only on VLANs 0 through 100 on the ports in group 1 in slot 2:

```
(config)# interface inlineGroup 2/1
(config-if)# no inline vlan 101-4095
(config-if)# exit
```

The following example shows how to enable inline interception for traffic only on VLAN 395 on the ports in group 1 in slot 2. Because the default behavior is to enable traffic on all VLANs, you must first disable all VLANs, and then enable just the set that you want.

```
(config)# interface inlineGroup 2/1
(config-if)# no inline vlan all
(config-if)# inline vlan 395
(config-if)# exit
```

Related Commands [show interface](#)

(config-if) ip

To configure the IP address or subnet mask, or to negotiate an IP address from DHCP on the interface of the WAAS device, use the **ip** interface configuration command. To disable this function, use the **no** form of this command.

```
ip address { ip-address ip-subnet [secondary] | dhcp [client-id id [hostname name] | hostname name [client-id id]] }
```

```
no ip address { ip-address ip-subnet [secondary] | dhcp [client-id id [hostname name] | hostname name [client-id id]] }
```

Syntax Description	address	Sets the IP address of an interface.
	<i>ip-address</i>	IP address.
	<i>ip-subnet</i>	IP subnet mask.
	secondary	(Optional) Makes this IP address a secondary address.
	dhcp	Sets the IP address negotiated over DHCP.
	client-id <i>id</i>	(Optional) Specifies the client identifier.
	hostname <i>name</i>	(Optional) Specifies the hostname.

Defaults No default behavior or values.

Command Modes interface configuration

Device Modes application-accelerator
central-manager

Usage Guidelines Use this command to set or change the IP address, subnet mask, or DHCP IP address negotiation of the network interfaces of the WAAS device or Cisco WAE Inline Network Adapter. The change in the IP address takes place immediately.

The **ip address** interface configuration command allows configuration of secondary IP addresses for a specified interface as follows:

```
WAE(config-if)# ip address ip_address netmask [secondary]
```

Up to four secondary IP addresses can be specified for each interface. The same IP address cannot be assigned to more than one interface. The secondary IP address becomes active only after a primary IP address is configured. The following command configures the primary IP address:

```
WAE(config-if)# ip address ip_address netmask
```

The secondary IP addresses are disabled when the interface is shut down and are enabled when the interface is brought up.

Use the **no** form of the command to disable a specific IP address:

```
WAE(config-if)# no ip address ip_address netmask
```

**Note**

No two interfaces can have IP addresses in the same subnet.

Use the **ip-address dhcp** command to negotiate a reusable IP address from DHCP.

Examples

The following example shows how to configure the port-channel interface with an IP address of 10.10.10.10 and a netmask of 255.0.0.0:

```
WAE# configure
WAE(config)# interface PortChannel 1
WAE(config-if)# ip address 10.10.10.10 255.0.0.0
```

The following example shows how to delete the IP address configured on the interface:

```
WAE(config-if)# no ip address
```

The following example shows how to enable an interface for DHCP:

```
WAE(config-if)# ip address dhcp
```

The following example shows how to configure a client identifier and hostname on the WAAS device to be sent to the DHCP server:

```
WAE(config-if)# ip address dhcp client-id myclient hostname myhost
```

Related Commands

[\(config\) interface GigabitEthernet](#)

[show interface](#)

[show running-config](#)

[show startup-config](#)

(config-if) ip access-group

To control connections on a specific interface of a WAAS device by applying a predefined access list, use the **ip access-group** interface configuration command. To disable an access list, use the **no** form of this command.

```
ip access-group {acl-name | acl-num} {in | out}
```

```
no ip access-group {acl-name | acl-num} {in | out}
```

Syntax Description

<i>acl-name</i>	Alphanumeric identifier of up to 30 characters, beginning with a letter that identifies the ACL to apply to the current interface.
<i>acl-num</i>	Numeric identifier that identifies the access list to apply to the current interface. For standard access lists, the valid range is 1 to 99; for extended access lists, the valid range is 100 to 199.
in	Applies the specified access list to inbound packets on the current interface.
out	Applies the specified access list to outbound packets on the current interface.

Defaults

No default behavior or values.

Command Modes

interface configuration

Device Modes

application-accelerator
central-manager

Usage Guidelines

Use the **ip access-group** interface configuration command to activate an access list on a particular interface. You can use one outbound access list and one inbound access list on each interface.

Before entering the **ip access-group** command, enter interface configuration mode for the interface to which you want to apply the access list. Define the access list to apply using the **ip access-list** command.

Examples

The following example shows how to apply the access list named *acl-out* to outbound traffic on the interface Gigabit Ethernet 1/2:

```
WAE(config)# interface GigabitEthernet 1/2  
WAE(config-if)# ip access-group acl-out out
```

Related Commands

[clear arp-cache](#)
[\(config\) ip access-list](#)
[show ip access-list](#)

(config-if) mtu

To set the interface Maximum Transmission Unit (MTU) packet size, use the **mtu** interface configuration command. To reset the MTU packet size, use the **no** form of this command.

mtu *mtusize*

no mtu *mtusize*

Syntax Description	<i>mtusize</i>	MTU packet size in bytes (88–1500).
---------------------------	----------------	-------------------------------------

Defaults	No default behavior or values.
-----------------	--------------------------------

Command Modes	interface configuration
----------------------	-------------------------

Device Modes	application-accelerator central-manager
---------------------	--

Usage Guidelines	The MTU is the largest size of IP datagram that can be transferred using a specific data link connection. Use the mtu command to set the maximum packet size in bytes.
-------------------------	---

Examples	The following example shows how to set the MTU to 1500 bytes and then remove that setting:
-----------------	--

```
WAE(config-if)# mtu 1500
WAE(config-if)# no mtu 1500
```

Related Commands	show interface show running-config show startup-config
-------------------------	--

(config-if) shutdown

To shut down a specific hardware interface on a WAAS device, use the **shutdown** interface configuration command. To restore an interface to operation, use the **no** form of this command.

shutdown

no shutdown

Syntax Description This command has no arguments or keywords.

Defaults No default behavior or values.

Command Modes interface configuration

Device Modes application-accelerator
central-manager

Usage Guidelines See the “(config) interface GigabitEthernet” command for alternative syntax.

Examples The following example shows how to shut down a Gigabit Ethernet interface on the WAAS device:

```
WAE# configure
WAE(config)# interface GigabitEthernet 2/0
WAE(config-if)# shutdown
```

Related Commands [\(config\) interface GigabitEthernet](#)
[show interface](#)
[show running-config](#)
[show startup-config](#)

(config-if) standby

To configure an interface on a WAAS device to be a backup for another interface, use the **standby** interface configuration command. To restore the default configuration of the interface, use the **no** form of this command.

standby 1 [primary]

no standby 1 [primary]

Syntax Description	1	Configures standby group 1.
	primary	(Optional) Defines the active interface in the standby group. By default, the first attached interface is active.

Defaults There are no standby interfaces by default.

Command Modes interface configuration

Device Modes application-accelerator
central-manager

Usage Guidelines You can associate an interface with a standby group by using the **standby 1** interface configuration command. To make an interface the active interface in a standby group, use the **standby 1 primary** interface configuration command. If you have already associated an interface with a standby group but have not made it the primary interface, you cannot specify the command again to add the primary designation. First, remove the interface from the standby group by using the **no standby 1** command, then reassign it, specifying the **primary** option at the same time.

A physical interface can be a member of a standby group or a port channel, but not both.

Examples The following example shows how to create a standby group:

```
WAE# configure
WAE(config)# interface standby 1
WAE(config-if)#
```

The following example shows how to assign a group IP address of 10.10.10.10 and a netmask of 255.0.0.0 to Standby Group 1. You can configure a group IP address regardless of whether the standby group is shut down or not.

```
WAE(config-if)# ip address 10.10.10.10 255.0.0.0
```

The following example shows how to add two Gigabit Ethernet interfaces to Standby Group 1 and then assign one of these member interfaces as the active interface in the group:

- a. A Gigabit Ethernet interface (slot 1/port 0) is added to Standby Group 1.


```
WAE(config)# interface gigabitEthernet 1/0
WAE(config-if)# standby 1
```

- b. A second Gigabit Ethernet interface (slot 2/port 0) is added to Standby Group 1 and assigned as the primary (active) interface.

```
WAE(config)# interface gigabitEthernet 2/0
WAE(config-if)# standby 1 primary
WAE(config-if)# exit
WAE(config)#
```

The following example shows how to remove the GigabitEthernet slot 1/port 0 interface from Standby Group 1 using the **no** form of the **standby** command:

```
WAE(config)# interface gigabitEthernet 1/0
WAE(config-if)# no standby 1
WAE(config-if)# exit
WAE(config)#
```

The following example shows how to shut down Standby Group 1. When a standby group is shut down, all of the alarms previously raised by this standby group are cleared:

```
WAE(config)# interface standby 1
WAE(config-if)# exit
WAE(config)# exit
```

The following example shows how to tear down Standby Group 1:

```
WAE(config)# interface standby 1
WAE(config-if)# no ip address 10.10.10.10 255.0.0.0
Please remove member interface(s) from this standby group first.
WAE(config)# interface GigabitEthernet 2/0
WAE(config-if)# no standby 1
WAE(config-if)# exit
WAE(config)# interface standby 1
WAE(config-if)# no ip address 10.10.10.10 255.0.0.0
WAE(config-if)# exit
WAE(config)# no interface standby 1
WAE(config)# exit
```

Related Commands

[\(config\) interface GigabitEthernet](#)

[show interface](#)

[show running-config](#)

[show startup-config](#)

Standard ACL Configuration Mode Commands

To create and modify standard access lists on a WAAS device for controlling access to interfaces or applications, use the **ip access-list standard** global configuration command. To disable a standard access list, use the **no** form of this command.

```
ip access-list standard {acl-name | acl-num}
```

```
no ip access-list standard {acl-name | acl-num}
```

Syntax Description	standard	Enables standard ACL configuration mode. The CLI enters the standard ACL configuration mode in which all subsequent commands apply to the current standard access list. The (config-std-nacl) prompt appears: WAE(config-std-nacl)#
	<i>acl-name</i>	Access list to which all commands entered from ACL configuration mode apply, using an alphanumeric string of up to 30 characters, beginning with a letter.
	<i>acl-num</i>	Access list to which all commands entered from access list configuration mode apply, using a numeric identifier. For standard access lists, the valid range is 1 to 99.

Defaults An access list drops all packets unless you configure at least one **permit** entry.

Command Modes global configuration

Device Modes application-accelerator
central-manager

Usage Guidelines Within ACL configuration mode, you can use the editing commands (**list**, **delete**, and **move**) to display the current condition entries, to delete a specific entry, or to change the order in which the entries will be evaluated. To return to global configuration mode, enter the **exit** command at the ACL configuration mode prompt.

To create an entry, use the **deny** or **permit** keyword and specify the type of packets that you want the WAAS device to drop or to accept for further processing. By default, an access list denies everything because the list is terminated by an implicit **deny any** entry. Therefore, you must include at least one **permit** entry to create a valid access list.

**Note**

IP ACLs that are defined on a router take precedence over the IP ACLs that are defined on the WAE. IP ACLs that are defined on a WAE take precedence over the WAAS application definition policies that are defined on the WAE.

After creating an access list, you can include the access list in an access group using the **access-group** command, which determines how the access list is applied. You can also apply the access list to a specific application using the appropriate command. A reference to an access list that does not exist is the equivalent of a **permit any** condition statement.

To create a standard access list, enter the **ip access-list standard** global configuration command. Identify the new or existing access list with a name up to 30 characters beginning with a letter, or identify a new or existing access list beginning with a number. If you use a number to identify a standard access list, it must be between 1 and 99.

**Note**

You must use a standard access list for providing access to the SNMP server or to the TFTP gateway/server. However, you can use either a standard access list or an extended access list for providing access to the WCCP application.

You typically use a standard access list to allow connections from a host with a specific IP address or from hosts on a specific network. To allow connections from a specific host, use the **permit host source-ip** option and replace *source-ip* with the IP address of the specific host.

To allow connections from a specific network, use the **permit host source-ip wildcard** option. Replace *source-ip* with a network ID or the IP address of any host on the network that you want to specify. Replace *wildcard* with the dotted decimal notation for a mask that is the reverse of a subnet mask, where a 0 indicates a position that must be matched and a 1 indicates a position that does not matter. For instance, the wildcard 0.0.0.255 causes the last eight bits in the source IP address to be ignored. Therefore, the **permit 192.168.1.0 0.0.0.255** entry allows access from any host on the 192.168.1.0 network.

After you identify the standard access list, the CLI enters the standard ACL configuration mode and all subsequent commands apply to the specified access list.

```
WAE(config)# ip access-list standard teststdacl
WAE(config-std-nacl)# exit
```

Examples

The following example shows how to create a standard access list on the WAAS device that permits any packets from source IP address 192.168.1.0 for further processing:

```
WAE(config)# ip access-list standard teststdacl
WAE(config-std-nacl)# permit 192.168.1.0 any
WAE(config-std-nacl)# exit
```

The following example shows how to activate the access list for an interface:

```
WAE(config)# interface gigabitethernet 1/0
WAE(config-if)# ip access-group teststdacl in
WAE(config-if)# exit
```

The following example shows how this configuration appears when you enter the **show running-configuration** command:

```
...
!
interface GigabitEthernet 1/0
```

```
ip address 10.1.1.50 255.255.0.0
ip access-group teststdacl in
exit
. . .
ip access-list standard teststdacl
permit 192.168.1.0 any
exit
. . .
```

Related Commands

clear arp-cache
show ip access-list
(config) ip access-list
(config-if) ip access-group
(config-std-nacl) deny
(config-std-nacl) delete
(config-std-nacl) list
(config-std-nacl) move
(config-std-nacl) permit

(config-std-nacl) delete

To delete a line from the standard IP ACL, use the **delete** standard ACL configuration command.

delete *line-num*

Syntax Description	<i>line-num</i>	Entry at a specific line number in the access list.
--------------------	-----------------	---

Defaults	No default behavior or values.
----------	--------------------------------

Command Modes	standard ACL configuration mode
---------------	---------------------------------

Device Modes	application-accelerator central-manager
--------------	--

Examples	The following example shows how to delete line 10 from the standard IP ACL teststdacl:
----------	--

```
WAE(config)# ip access-list standard teststdacl  
WAE(config-std-nacl)# delete 10
```

Related Commands	(config-std-nacl) deny (config-std-nacl) delete (config-std-nacl) list (config-std-nacl) move (config-std-nacl) permit
------------------	--

(config-std-nacl) deny

To add a line to a standard access-list that specifies the type of packets that you want the WAAS device to drop, use the **deny** standard ACL configuration command. To negate a standard IP ACL, use the **no** form of this command.

```
[insert line-num] deny {source-ip [wildcard] | host source-ip | any}
```

```
no deny {source-ip [wildcard] | host source-ip | any}
```

Syntax Description	insert <i>line-num</i>	(Optional) Inserts the conditions following the specified line number into the access list.
	deny	Causes packets that match the specified conditions to be dropped.
	<i>source-ip</i>	Source IP address. The number of the network or host from which the packet is being sent, specified as a 32-bit quantity in 4-part dotted-decimal format (for example, 0.0.0.0).
	<i>wildcard</i>	(Optional) Portions of the preceding IP address to match, expressed using 4-digit, dotted-decimal notation. Bits to match are identified by a digital value of 0; bits to ignore are identified by a 1. Note For standard IP ACLs, the <i>wildcard</i> parameter of the ip access-list command is always optional. If the host keyword is specified for a standard IP ACL, then the <i>wildcard</i> parameter is not allowed.
	host <i>source-ip</i>	Matches the following IP address.
	any	Matches any IP address.

Defaults An access list drops all packets unless you configure at least one **permit** entry.

Command Modes standard ACL configuration mode

Device Modes application-accelerator
central-manager

Usage Guidelines To create an entry, use the **deny** or **permit** keyword and specify the type of packets that you want the WAAS device to drop or to accept for further processing. By default, an access list denies everything because the list is terminated by an implicit **deny any** entry. Therefore, you must include at least one **permit** entry to create a valid access list.

You typically use a standard access list to allow connections from a host with a specific IP address or from hosts on a specific network. To allow connections from a specific host, use the **permit host** *source-ip* option and replace *source-ip* with the IP address of the specific host.

To allow connections from a specific network, use the **permit host** *source-ip wildcard* option. Replace *source-ip* with a network ID or the IP address of any host on the network that you want to specify. Replace *wildcard* with the dotted decimal notation for a mask that is the reverse of a subnet mask, where

a 0 indicates a position that must be matched and a 1 indicates a position that does not matter. For instance, the wildcard 0.0.0.255 causes the last eight bits in the source IP address to be ignored. Therefore, the **permit 192.168.1.0 0.0.0.255** entry allows access from any host on the 192.168.1.0 network.

Examples

The following example shows how to create a standard access list that denies any packets from source IP address 192.168.1.0 for processing:

```
WAE(config)# ip access-list standard teststdacl
WAE(config-std-nacl)# deny 192.168.1.0 any
WAE(config-std-nacl)# exit
```

The following example shows how to activate the standard access list for an interface:

```
WAE(config)# interface gigabitethernet 1/0
WAE(config-if)# ip access-group teststdacl in
WAE(config-if)# exit
```

The following example shows how this configuration appears when you enter the **show running-configuration** command:

```
...
!
interface GigabitEthernet 1/0
 ip address 10.1.1.50 255.255.0.0
 ip access-group teststdacl in
 exit
...
ip access-list standard example
 deny 192.168.1.0 any
 exit
...

```

Related Commands

[\(config-std-nacl\) delete](#)

[\(config-std-nacl\) list](#)

[\(config-std-nacl\) move](#)

[\(config-std-nacl\) permit](#)

(config-std-nacl) exit

To terminate standard ACL configuration mode and return to the global configuration mode, use the **exit** command.

exit

Syntax Description This command has no arguments or keywords.

Defaults No default behavior or values.

Command Modes All modes

Device Modes application-accelerator
central-manager

Examples The following example shows how to terminate standard ACL configuration mode and return to global configuration mode:

```
WAE(config-std-nacl)# exit  
WAE(config)#
```


(config-std-nacl) list

To display a list of specified entries within the standard IP ACL, use the **list** standard ACL configuration command.

```
list [start-line-num [end-line-num]]
```

Syntax Description	<i>start-line-num</i>	(Optional) Line number from which the list begins.
	<i>end-line-num</i>	(Optional) Last line number in the list.

Defaults No default behavior or values.

Command Modes standard ACL configuration mode

Device Modes application-accelerator
central-manager

Examples The following example shows how to display a list of specified entries within the standard IP ACL:

```
WAE(config)# ip access-list standard teststdacl  
WAE(config-std-nacl)# list 25 50
```

Related Commands [\(config-std-nacl\) delete](#)
[\(config-std-nacl\) move](#)

(config-std-nacl) move

To move a line to a new position within the standard IP ACL, use the **move** standard ACL configuration command.

move *old-line-num* *new-line-num*

Syntax Description	<i>old-line-num</i>	Line number of the entry to move.
	<i>new-line-num</i>	New position of the entry. The existing entry is moved to the following position in the access list.

Command Modes standard ACL configuration mode

Device Modes application-accelerator
central-manager

Examples The following example shows how to move a line to a new position within the standard IP ACL:

```
WAE(config)# ip access-list standard teststdacl
WAE(config-std-nacl)# move 25 30
```

Related Commands [\(config-std-nacl\) delete](#)
[\(config-std-nacl\) list](#)

(config-std-nacl) permit

To add a line to a standard access list that specifies the type of packets that you want the WAAS device to accept for further processing, use the **permit** standard ACL configuration command. To negate a standard IP ACL, use the **no** form of this command.

```
[insert line-num] permit {source-ip [wildcard] | host source-ip | any }
```

```
no permit {source-ip [wildcard] | host source-ip | any }
```

Syntax	Description
insert <i>line-num</i>	(Optional) Inserts the conditions following the specified line number into the access list.
<i>source-ip</i>	Source IP address. The number of the network or host from which the packet is being sent, specified as a 32-bit quantity in 4-part dotted-decimal format (for example, 0.0.0.0).
<i>wildcard</i>	(Optional) Portions of the preceding IP address to match, expressed using 4-digit, dotted-decimal notation. Bits to match are identified by a digital value of 0; bits to ignore are identified by a 1. Note For standard IP ACLs, the <i>wildcard</i> parameter of the ip access-list command is always optional. If the host keyword is specified for a standard IP ACL, then the <i>wildcard</i> parameter is not allowed.
host <i>source-ip</i>	Matches the following IP address.
any	Matches any IP address.

Defaults

An access list drops all packets unless you configure at least one **permit** entry.

Command Modes

standard ACL configuration mode

Device Modes

application-accelerator
central-manager

Usage Guidelines

To create an entry, use the **deny** or **permit** keyword and specify the type of packets that you want the WAAS device to drop or to accept for further processing. By default, an access list denies everything because the list is terminated by an implicit **deny any** entry. Therefore, you must include at least one **permit** entry to create a valid access list.

You typically use a standard access list to allow connections from a host with a specific IP address or from hosts on a specific network. To allow connections from a specific host, use the **permit host** *source-ip* option and replace *source-ip* with the IP address of the specific host.

To allow connections from a specific network, use the **permit host** *source-ip wildcard* option. Replace *source-ip* with a network ID or the IP address of any host on the network that you want to specify. Replace *wildcard* with the dotted decimal notation for a mask that is the reverse of a subnet mask, where a 0 indicates a position that must be matched and a 1 indicates a position that does not matter. For

instance, the wildcard 0.0.0.255 causes the last eight bits in the source IP address to be ignored. Therefore, the **permit 192.168.1.0 0.0.0.255** entry allows access from any host on the 192.168.1.0 network.

Examples

The following example shows how to create a standard access list that permits any packets from source IP address 192.168.1.0 for further processing:

```
WAE(config)# ip access-list standard teststdacl
WAE(config-std-nacl)# permit 192.168.1.0 any
WAE(config-std-nacl)# exit
```

The following example shows how to activate the standard access list for an interface:

```
WAE(config)# interface gigabitethernet 1/0
WAE(config-if)# ip access-group teststdacl in
WAE(config-if)# exit
```

The following example shows how this configuration appears when you enter the **show running-configuration** command:

```
...
!
interface GigabitEthernet 1/0
 ip address 10.1.1.50 255.255.0.0
 ip access-group teststdacl in
 exit
...
ip access-list standard example
 permit 192.168.1.0 any
 exit
...

```

Related Commands

[\(config-std-nacl\) delete](#)

[\(config-std-nacl\) deny](#)

[\(config-std-nacl\) list](#)

[\(config-std-nacl\) move](#)

Extended ACL Configuration Mode Commands

To create and modify extended access lists on a WAAS device for controlling access to interfaces or applications, use the **ip access-list extended** global configuration command. To disable an extended access list, use the **no** form of this command.

```
ip access-list extended {acl-name | acl-num}
```

```
no ip access-list extended {acl-name | acl-num}
```

Syntax Description	extended	Enables extended ACL configuration mode. The CLI enters the extended ACL configuration mode in which all subsequent commands apply to the current extended access list. The (config-ext-nacl) prompt appears: WAE(config-ext-nacl)#
	<i>acl-name</i>	Access list to which all commands entered from ACL configuration mode apply, using an alphanumeric string of up to 30 characters, beginning with a letter.
	<i>acl-num</i>	Access list to which all commands entered from access list configuration mode apply, using a numeric identifier. For extended access lists, valid values range from 100 to 199.

Defaults

An access list drops all packets unless you configure at least one **permit** entry.

Command Modes

global configuration

Device Modes

application-accelerator
central-manager

Usage Guidelines

Within ACL configuration mode, you can use the editing commands (**list**, **delete**, and **move**) to display the current condition entries, to delete a specific entry, or to change the order in which the entries will be evaluated. To return to global configuration mode, enter the **exit** command at the ACL configuration mode prompt.

To create an entry, use a **deny** or **permit** keyword and specify the type of packets that you want the WAAS device to drop or to accept for further processing. By default, an access list denies everything because the list is terminated by an implicit **deny any** entry. Therefore, you must include at least one **permit** entry to create a valid access list.

**Note**

ACLs that are defined on a router take precedence over the ACLs that are defined on the WAE. ACLs that are defined on a WAE take precedence over the WAAS application definition policies that are defined on the WAE.

After creating an access list, you can include the access list in an access group using the **access-group** command, which determines how the access list is applied. You can also apply the access list to a specific application using the appropriate command. A reference to an access list that does not exist is the equivalent of a **permit any** condition statement.

To create an extended access list, enter the **ip access-list extended** global configuration command. Identify the new or existing access list with a name up to 30 characters long beginning with a letter, or with a number. If you use a number to identify an extended access list, it must be from 100 to 199

**Note**

You must use a standard access list for providing access to the SNMP server or to the TFTP gateway/server. However, you can use either a standard access list or an extended access list for providing access to the WCCP application.

To allow connections from a specific host, use the **permit host source-ip** option and replace *source-ip* with the IP address of the specific host.

To allow connections from a specific network, use the **permit host source-ip wildcard** option. Replace *source-ip* with a network ID or the IP address of any host on the network that you want to specify. Replace *wildcard* with the dotted decimal notation for a mask that is the reverse of a subnet mask, where a 0 indicates a position that must be matched and a 1 indicates a position that does not matter. For instance, the wildcard 0.0.0.255 causes the last eight bits in the source IP address to be ignored. Therefore, the **permit 192.168.1.0 0.0.0.255** entry allows access from any host on the 192.168.1.0 network.

After you identify the extended access list, the CLI enters the extended ACL configuration mode and all subsequent commands apply to the specified access list.

```
WAE(config)# ip access-list extended testextacl
WAE(config-ext-nacl)#
```

Examples

The following example shows how to create an access list on the WAAS device. You create this access list to allow the WAAS device to accept all web traffic that is redirected to it but limit host administrative access using SSH:

```
WAE(config)# ip access-list extended testextacl
WAE(config-ext-nacl)# permit tcp any any eq www
WAE(config-ext-nacl)# permit tcp host 10.1.1.5 any eq ssh
WAE(config-ext-nacl)# exit
```

The following example shows how to activate the access list for an interface:

```
WAE(config)# interface gigabitethernet 1/0
WAE(config-if)# ip access-group testextacl in
WAE(config-if)# exit
```

The following example shows how this configuration appears when you enter the **show running-configuration** command:

```
...
!
```

```
interface GigabitEthernet 1/0
 ip address 10.1.1.50 255.255.0.0
 ip access-group testextacl in
 exit
. . .
ip access-list extended testextacl
 permit tcp any any eq www
 permit tcp host 10.1.1.5 any eq ssh
 exit
. . .
```

Related Commands

[clear arp-cache](#)
[show ip access-list](#)
[\(config-if\) ip access-group](#)
[\(config-ext-nacl\) deny](#)
[\(config-ext-nacl\) delete](#)
[\(config-ext-nacl\) list](#)
[\(config-ext-nacl\) move](#)
[\(config-ext-nacl\) permit](#)

(config-ext-nacl) delete

To delete a line from the extended ACL, use the **delete** extended ACL configuration command.

delete *line-num*

Syntax Description	<i>line-num</i>	Entry at a specific line number in the access list.
--------------------	-----------------	---

Defaults	No default behavior or values.
----------	--------------------------------

Command Modes	extended ACL configuration mode
---------------	---------------------------------

Device Modes	application-accelerator central-manager
--------------	--

Examples	The following example shows how to delete line 10 from the extended ACL testextacl:
----------	---

```
WAE(config)# ip access-list extended testextacl
WAE(config-ext-nacl)# delete 10
```

Related Commands	(config-ext-nacl) list (config-ext-nacl) move
------------------	--

(config-ext-nacl) deny

To add a line to an extended access list that specifies the type of packets that you want the WAAS device to drop, use the **deny** extended ACL configuration command. To add a condition to the extended ACL, note that the options depend on the chosen protocol.

For IP, use the following syntax to add a condition:

```
[insert line-num] deny {gre | icmp | tcp | udp | ip | proto-num} {source-ip [wildcard] |
  host source-ip | any} {dest-ip [wildcard] | host dest-ip | any}
```

```
no deny {gre | icmp | tcp | udp | ip | proto-num} {source-ip [wildcard] | host source-ip | any}
  {dest-ip [wildcard] | host dest-ip | any}
```

For TCP, use the following syntax to add a condition:

```
[insert line-num] deny tcp {source-ip [wildcard] | host source-ip | any} [operator port [port]]
  {dest-ip [wildcard] | host dest-ip | any} [operator port [port]] [established]
```

```
no deny tcp {source-ip [wildcard] | host source-ip | any} [operator port [port]]
  {dest-ip [wildcard] | host dest-ip | any} [operator port [port]] [established]
```

For UDP, use the following syntax to add a condition:

```
[insert line-num] deny udp {source-ip [wildcard] | host source-ip | any} [operator port [port]]
  {dest-ip [wildcard] | host dest-ip | any} [operator port [port]]
```

```
no deny udp {source-ip [wildcard] | host source-ip | any} [operator port [port]]
  {dest-ip [wildcard] | host dest-ip | any} [operator port [port]]
```

For ICMP, use the following syntax to add a condition:

```
[insert line-num] deny icmp {source-ip [wildcard] | host source-ip | any} {dest-ip [wildcard] |
  host dest-ip | any} [icmp-type [code] | icmp-msg]
```

```
no deny icmp {source-ip [wildcard] | host source-ip | any} {dest-ip [wildcard] | host dest-ip | any}
  [icmp-type [code] | icmp-msg]
```

Syntax	Description
insert line-num	(Optional) Specifies to insert the conditions following the specified line number into the access list.
gre	Specifies to match packets using the Generic Routing Encapsulation protocol.
icmp	Specifies to match ICMP packets.
tcp	Specifies to match packets using the TCP protocol.
udp	Specifies to match packets using the UDP protocol.
ip	Specifies to match all IP packets.
<i>proto-num</i>	IP protocol number.
<i>source-ip</i>	Source IP address. The number of the network or host from which the packet is being sent, specified as a 32-bit quantity in 4-part dotted-decimal format (for example, 0.0.0.0).

<i>wildcard</i>	(Optional) Wildcard. The notation is in 4-digit, dotted-decimal format. The bits to match are identified by a digital value of 0; the bits to ignore are identified by a 1. For extended IP ACLs, the <i>wildcard</i> parameter of the ip access-list command is always optional. If the host keyword is specified for an extended IP ACL, then the <i>wildcard</i> parameter is not allowed.
host <i>source-ip</i>	Specifies to match the following IP address.
any	Specifies to match any IP address.
<i>dest-ip</i>	Specifies destination IP address. The number of the network or host to which the packet is being sent, specified as a 32-bit quantity in 4-part dotted decimal format (for example, 0.0.0.0).
<i>operator port</i>	(Optional) Operator to use with specified ports, where lt = less than, gt = greater than, eq = equal to, neq = not equal to, and range = an inclusive range. The port value is a number (0–65535) or a keyword; two port numbers are required with the range keyword. See the “Usage Guidelines” section for a listing of the UDP and TCP keywords.
established	(Optional) Specifies to match TCP packets with the acknowledgment or reset bits set.
<i>icmp-type</i>	(Optional) Match with ICMP message type (0–255).
<i>code</i>	(Optional) Code type is 0–255.
<i>icmp-msg</i>	(Optional) Match a combination of ICMP message type and code types, as expressed by the keywords shown in the “Usage Guidelines” section.

Defaults

An access list drops all packets unless you configure at least one **permit** entry.

Command Modes

extended ACL configuration mode

Device Modes

application-accelerator
central-manager

Usage Guidelines

To create an entry, use a **deny** or **permit** keyword and specify the type of packets that you want the WAAS device to drop or to accept for further processing. By default, an access list denies everything because the list is terminated by an implicit **deny any** entry. You must include at least one **permit** entry to create a valid access list.

To allow connections from a specific host, use the **permit host source-ip** option and replace *source-ip* with the IP address of the specific host.

To allow connections from a specific network, use the **permit host source-ip wildcard** option. Replace *source-ip* with a network ID or the IP address of any host on the network that you want to specify. Replace *wildcard* with the dotted decimal notation for a mask that is the reverse of a subnet mask, where

a 0 indicates a position that must be matched and a 1 indicates a position that does not matter. For instance, the wildcard 0.0.0.255 causes the last eight bits in the source IP address to be ignored. The **permit 192.168.1.0 0.0.0.255** entry allows access from any host on the 192.168.1.0 network.

For extended IP ACLs, the **wildcard** parameter is required if the **host** keyword is not specified.

Use an extended access list to control connections based on the destination IP address or based on the protocol type. You can combine these conditions with information about the source IP address to create more restrictive conditions.

Table 3-1 lists the UDP keywords that you can use with extended access lists.

Table 3-1 UDP Keywords for Extended Access Lists

CLI UDP Keyword	Description	UDP Port Number
bootpc	Bootstrap Protocol (BOOTP) client	68
bootps	Bootstrap Protocol (BOOTP) server	67
domain	Domain Name System (DNS)	53
mms	Microsoft Media Server	1755
netbios-dgm	NetBIOS datagram service	138
netbios-ns	NetBIOS name service	137
netbios-ss	NetBIOS session service	139
nfs	Network File System service	2049
ntp	Network Time Protocol	123
snmp	Simple Network Management Protocol	161
snmptrap	SNMP traps	162
tacacs	Terminal Access Controller Access Control System	49
tftp	Trivial File Transfer Protocol	69
wccp	Web Cache Communication Protocol	2048

Table 3-2 lists the TCP keywords that you can use with extended access lists.

Table 3-2 TCP Keywords for Extended Access Lists

CLI TCP Keyword	Description	TCP Port Number
domain	Domain Name System	53
exec	Exec (rcp)	512
ftp	File Transfer Protocol	21
ftp-data	FTP data connections (used infrequently)	20
https	Secure HTTP	443
mms	Microsoft Media Server	1755
nfs	Network File System service	2049
ssh	Secure Shell login	22

Table 3-2 TCP Keywords for Extended Access Lists (continued)

CLI TCP Keyword	Description	TCP Port Number
tacacs	Terminal Access Controller Access Control System	49
telnet	Telnet	23
www	World Wide Web (HTTP)	80

Table 3-3 lists the keywords that you can use to match specific ICMP message types and codes.

Table 3-3 Keywords for ICMP Messages

administratively-prohibited	alternate-address	conversion-error
dod-host-prohibited	dod-net-prohibited	echo
echo-reply	general-parameter-problem	host-isolated
host-precedence-unreachable	host-redirect	host-tos-redirect
host-tos-unreachable	host-unknown	host-unreachable
information-reply	information-request	mask-reply
mask-request	mobile-redirect	net-redirect
net-tos-redirect	net-tos-unreachable	net-unreachable
network-unknown	no-room-for-option	option-missing
packet-too-big	parameter-problem	port-unreachable
precedence-unreachable	protocol-unreachable	reassembly-timeout
redirect	router-advertisement	router-solicitation
source-quench	source-route-failed	time-exceeded
timestamp-reply	timestamp-request	traceroute
ttl-exceeded	unreachable	

Examples

The following example shows how to create an access list on the WAAS device. You create this access list to allow the WAAS device to accept all web traffic that is redirected to it but limit host administrative access using SSH:

```
WAE(config)# ip access-list extended testextacl
WAE(config-ext-nacl)# permit tcp any any eq www
WAE(config-ext-nacl)# deny tcp host 10.1.1.5 any eq ssh
WAE(config-ext-nacl)# exit
```

The following example shows how to activate the access list for an interface:

```
WAE(config)# interface gigabitethernet 1/0
WAE(config-if)# ip access-group extended testextacl in
WAE(config-if)# exit
```

The following example shows how this configuration appears when you enter the **show running-configuration** command:

```
...
!
```

```
interface GigabitEthernet 1/0
 ip address 10.1.1.50 255.255.0.0
 ip access-group extended testextacl in
 exit
. . .
ip access-list extended testextacl
 permit tcp any any eq www
 permit tcp host 10.1.1.5 any eq ssh
 exit
. . .
```

Related Commands[\(config-ext-nacl\) delete](#)[\(config-ext-nacl\) list](#)[\(config-ext-nacl\) move](#)[\(config-ext-nacl\) permit](#)

(config-ext-nacl) exit

To terminate extended ACL configuration mode and return to the global configuration mode, use the **exit** command.

exit

Syntax Description This command has no arguments or keywords.

Defaults No default behavior or values

Command Modes all modes

Device Modes application-accelerator
central-manager

Examples The following example shows how to terminate extended ACL configuration mode and return to global configuration mode:

```
WAE(config-ext-nacl)# exit  
WAE(config)#
```

(config-ext-nacl) list

To display a list of specified entries within the extended ACL, use the **list** extended ACL configuration command.

list [*start-line-num* [*end-line-num*]]

Syntax Description	<i>start-line-num</i>	(Optional) Line number from which the list begins.
	<i>end-line-num</i>	(Optional) Last line number in the list.

Defaults No default behavior or values.

Command Modes extended ACL configuration mode

Device Modes application-accelerator
central-manager

Examples The following example shows how to display a list of specified entries within the extended ACL:

```
WAE(config)# ip access-list extended testextacl
WAE(config-ext-nacl)# list 25 50
```

Related Commands [\(config-ext-nacl\) delete](#)
[\(config-ext-nacl\) move](#)

(config-ext-nacl) move

To move a line to a new position within the extended ACL, use the **move** extended ACL configuration command.

move *old-line-num new-line-num*

Syntax	Description
<i>old-line-num</i>	Line number of the entry to move.
<i>new-line-num</i>	New position of the entry. The existing entry is moved to the following position in the access list.

Defaults No default behavior or values.

Command Modes extended ACL configuration mode

Device Modes application-accelerator
central-manager

Examples The following example shows how to move a line to a new position within the extended ACL:

```
WAE(config)# ip access-list extended testextacl
WAE(config-ext-nacl)# move 25 30
```

Related Commands [\(config-ext-nacl\) delete](#)
[\(config-ext-nacl\) list](#)

(config-ext-nacl) permit

To add a line to an extended access list that specifies the type of packets that you want the WAAS device to accept for further processing, use the **permit** extended ACL configuration command. To add a condition to the extended ACL, note that the options depend on the chosen protocol.

For IP, use the following syntax to add a condition:

```
[insert line-num] permit {gre | icmp | tcp | udp | ip | proto-num} {source-ip [wildcard] |
  host source-ip | any} {dest-ip [wildcard] | host dest-ip | any}
```

```
no permit {gre | icmp | tcp | udp | ip | proto-num} {source-ip [wildcard] | host source-ip | any}
  {dest-ip [wildcard] | host dest-ip | any}
```

For TCP, use the following syntax to add a condition:

```
[insert line-num] permit tcp {source-ip [wildcard] | host source-ip | any} [operator port [port]]
  {dest-ip [wildcard] | host dest-ip | any} [operator port [port]] [established]
```

```
no permit tcp {source-ip [wildcard] | host source-ip | any} [operator port [port]]
  {dest-ip [wildcard] | host dest-ip | any} [operator port [port]] [established]
```

For UDP, use the following syntax to add a condition:

```
[insert line-num] permit udp {source-ip [wildcard] | host source-ip | any} [operator port [port]]
  {dest-ip [wildcard] | host dest-ip | any} [operator port [port]]
```

```
no permit udp {source-ip [wildcard] | host source-ip | any} [operator port [port]]
  {dest-ip [wildcard] | host dest-ip | any} [operator port [port]]
```

For ICMP, use the following syntax to add a condition:

```
[insert line-num] permit icmp {source-ip [wildcard] | host source-ip | any} {dest-ip [wildcard] |
  host dest-ip | any} [icmp-type [code] | icmp-msg]
```

```
no permit icmp {source-ip [wildcard] | host source-ip | any} {dest-ip [wildcard] | host dest-ip |
  any} [icmp-type [code] | icmp-msg]
```

Syntax	Description
insert <i>line-num</i>	(Optional) Specifies to insert the conditions following the specified line number into the access list.
gre	Specifies to match packets using the Generic Routing Encapsulation protocol.
icmp	Specifies to match ICMP packets.
tcp	Specifies to match packets using the TCP protocol.
udp	Specifies to match packets using the UDP protocol.
ip	Specifies to match all IP packets.
<i>proto-num</i>	IP protocol number.
<i>source-ip</i>	Source IP address. The number of the network or host from which the packet is being sent, specified as a 32-bit quantity in 4-part dotted-decimal format (for example, 0.0.0.0).

<i>wildcard</i>	(Optional) Wildcard. The notation is in 4-digit, dotted-decimal format. The bits to match are identified by a digital value of 0; the bits to ignore are identified by a 1. For extended IP ACLs, the <i>wildcard</i> parameter of the ip access-list command is always optional. If the host keyword is specified for an extended IP ACL, then the <i>wildcard</i> parameter is not allowed.
host <i>source-ip</i>	Specifies to match the following IP address.
any	Specifies to match any IP address.
<i>dest-ip</i>	Specifies destination IP address. The number of the network or host to which the packet is being sent, specified as a 32-bit quantity in 4-part dotted decimal format (for example, 0.0.0.0).
<i>operator port</i>	(Optional) Operator to use with specified ports, where lt = less than, gt = greater than, eq = equal to, neq = not equal to, and range = an inclusive range. The port value is a number (0–65535) or a keyword; two port numbers are required with the range keyword. See the “Usage Guidelines” section for a listing of the UDP and TCP keywords.
established	(Optional) Specifies to match TCP packets with the acknowledgment or reset bits set.
<i>icmp-type</i>	(Optional) Match with ICMP message type (0–255).
<i>code</i>	(Optional) Code type is 0–255.
<i>icmp-msg</i>	(Optional) Match a combination of ICMP message type and code types, as expressed by the keywords shown in the “Usage Guidelines” section.

Defaults

An access list drops all packets unless you configure at least one **permit** entry.

Command Modes

extended ACL configuration mode

Device Modes

application-accelerator
central-manager

Usage Guidelines

To create an entry, use a **deny** or **permit** keyword and specify the type of packets that you want the WAAS device to drop or to accept for further processing. By default, an access list denies everything because the list is terminated by an implicit **deny any** entry. You must include at least one **permit** entry to create a valid access list.

To allow connections from a specific host, use the **permit host source-ip** option and replace *source-ip* with the IP address of the specific host.

To allow connections from a specific network, use the **permit host source-ip wildcard** option. Replace *source-ip* with a network ID or the IP address of any host on the network that you want to specify. Replace *wildcard* with the dotted decimal notation for a mask that is the reverse of a subnet mask, where

a 0 indicates a position that must be matched and a 1 indicates a position that does not matter. For instance, the wildcard 0.0.0.255 causes the last eight bits in the source IP address to be ignored. The **permit 192.168.1.0 0.0.0.255** entry allows access from any host on the 192.168.1.0 network.

For extended IP ACLs, the **wildcard** parameter is required if the **host** keyword is not specified.

Use an extended access list to control connections based on the destination IP address or based on the protocol type. You can combine these conditions with information about the source IP address to create more restrictive condition.

Table 3-4 lists the UDP keywords that you can use with extended access lists.

Table 3-4 UDP Keywords for Extended Access Lists

CLI UDP Keyword	Description	UDP Port Number
bootpc	Bootstrap Protocol (BOOTP) client	68
bootps	Bootstrap Protocol (BOOTP) server	67
domain	Domain Name System (DNS)	53
mms	Microsoft Media Server	1755
netbios-dgm	NetBIOS datagram service	138
netbios-ns	NetBIOS name service	137
netbios-ss	NetBIOS session service	139
nfs	Network File System service	2049
ntp	Network Time Protocol	123
snmp	Simple Network Management Protocol	161
snmptrap	SNMP traps	162
tacacs	Terminal Access Controller Access Control System	49
tftp	Trivial File Transfer Protocol	69
wccp	Web Cache Communication Protocol	2048

Table 3-5 lists the TCP keywords that you can use with extended access lists.

Table 3-5 TCP Keywords for Extended Access Lists

CLI TCP Keyword	Description	TCP Port Number
domain	Domain Name System	53
exec	Exec (rcp)	512
ftp	File Transfer Protocol	21
ftp-data	FTP data connections (used infrequently)	20
https	Secure HTTP	443
mms	Microsoft Media Server	1755
nfs	Network File System service	2049
ssh	Secure Shell login	22

Table 3-5 TCP Keywords for Extended Access Lists (continued)

CLI TCP Keyword	Description	TCP Port Number
tacacs	Terminal Access Controller Access Control System	49
telnet	Telnet	23
www	World Wide Web (HTTP)	80

Table 3-6 lists the keywords that you can use to match specific ICMP message types and codes.

Table 3-6 Keywords for ICMP Messages

administratively-prohibited	alternate-address	conversion-error
dod-host-prohibited	dod-net-prohibited	echo
echo-reply	general-parameter-problem	host-isolated
host-precedence-unreachable	host-redirect	host-tos-redirect
host-tos-unreachable	host-unknown	host-unreachable
information-reply	information-request	mask-reply
mask-request	mobile-redirect	net-redirect
net-tos-redirect	net-tos-unreachable	net-unreachable
network-unknown	no-room-for-option	option-missing
packet-too-big	parameter-problem	port-unreachable
precedence-unreachable	protocol-unreachable	reassembly-timeout
redirect	router-advertisement	router-solicitation
source-quench	source-route-failed	time-exceeded
timestamp-reply	timestamp-request	traceroute
ttl-exceeded	unreachable	

Examples

The following example shows how to create an access list on the WAAS device. You create this access list to allow the WAAS device to accept all web traffic that is redirected to it but limit host administrative access using SSH:

```
WAE(config)# ip access-list extended testextacl
WAE(config-ext-nacl)# permit tcp any any eq www
WAE(config-ext-nacl)# permit tcp host 10.1.1.5 any eq ssh
WAE(config-ext-nacl)# exit
```

The following example shows how to activate the access list for an interface:

```
WAE(config)# interface gigabitethernet 1/0
WAE(config-if)# ip access-group example in
WAE(config-if)# exit
```

The following example shows how this configuration appears when you enter the **show running-configuration** command:

```
...
!
```

```
interface GigabitEthernet 1/0
 ip address 10.1.1.50 255.255.0.0
 ip access-group testextacl in
 exit
. . .
ip access-list extended testextacl
 permit tcp any any eq www
 permit tcp host 10.1.1.5 any eq ssh
 exit
. . .
```

Related Commands[\(config-ext-nacl\) delete](#)[\(config-ext-nacl\) deny](#)[\(config-ext-nacl\) list](#)[\(config-ext-nacl\) move](#)

■ (config-ext-nacl) permit

Preposition Configuration Mode Commands

To create and modify preposition directives on a WAAS device for prepositioning files for WAFS, use the **accelerator cifs preposition** global configuration command.

accelerator cifs preposition *directive_id*

Syntax Description

directive_id Preposition directive ID of an existing preposition directive that you want to change or a new directive that you want to create.

Defaults

No default behavior or values.

Command Modes

global configuration

Device Modes

application-accelerator

Usage Guidelines

Use the **accelerator cifs preposition** command to create and edit preposition directives to be used with the transparent CIFS accelerator. A preposition directive defines a set of files that are to be prepositioned on the WAE device.

Within preposition configuration mode, you can use the various commands (**server**, **root**, **scan-type**, **schedule**, and so on) to configure a preposition directive. After you are done defining and scheduling the preposition directive, you must use the `enable` command to enable it. To return to global configuration mode, enter the **exit** command at the preposition configuration mode prompt.



Note

We recommend that you use the WAAS Central Manager GUI to configure preposition directives. For more information, see the [“Creating a Preposition Directive”](#) section in the *Cisco Wide Area Application Services Configuration Guide*.



Note

If you create a preposition directive from the CLI before the secure store on the WAE is initialized, you must wait at least two datafeed poll cycles (10 minutes by default) before initializing the secure store; otherwise, the preposition directive will not propagate to the Central Manager because the credentials will not be able to be decrypted on the WAE.

Examples

The following example shows how to enter preposition configuration mode and configure a preposition directive using the **accelerator cifs preposition** command:

```
WAE(config)# accelerator cifs preposition 1
WAE(config-preposition)# credentials username administrator domain PRINT password 0 foo
```

```
WAE(config-preposition)# dscp 45
WAE(config-preposition)# duration 30
WAE(config-preposition)# min-file-size 0
WAE(config-preposition)# name "Program Files"
WAE(config-preposition)# root Program_Files
WAE(config-preposition)# scan-type full
WAE(config-preposition)# server 10.1.221.3
WAE(config-preposition)# schedule daily 23:00
WAE(config-preposition)# enable
WAE(config-preposition)# exit
```

Related Commands [\(config\) accelerator cifs](#)

(config-preposition) credentials

To set the username and password credentials for a file server in a preposition directive, use the **credentials** preposition configuration command.

```
credentials username username password {0 | 1} password}
```

Syntax Description		
username <i>username</i>		Specifies the username.
password { 0 1 } <i>password</i>		Specifies the password. To indicate that the password string is unencrypted, specify 0 . To indicate that the password string is encrypted, specify 1 .

Defaults No default behavior or values.

Command Modes preposition configuration mode

Device Modes application-accelerator

Examples The following example shows how to set the username and password credentials:

```
WAE(config)# accelerator cifs preposition 3
WAE(config-preposition)# credentials username ramyav password 0 ux5TjW8r
```

Related Commands [\(config-preposition\) server](#)

(config-preposition) dscp

To set the DSCP marking value for a preposition task, use the **dscp** preposition configuration command. To remove a DSCP marking value, use the **no** form of this command.

dscp *value*

no dscp *value*

Syntax Description	<i>value</i> DSCP marking value to assign to prepositioning traffic.
--------------------	--

Defaults	No default behavior or values.
----------	--------------------------------

Command Modes	preposition configuration mode
---------------	--------------------------------

Device Modes	application-accelerator
--------------	-------------------------

Usage Guidelines	<p>This command specifies the DSCP marking value to be used for prepositioning traffic.</p> <p>DSCP is a field in an IP packet that enables different levels of service to be assigned to the network traffic. The levels of service are assigned by marking each packet on the network with a DSCP code and associating a corresponding level of service. DSCP is the combination of IP Precedence and Type of Service (ToS) fields. For more information, see RFC 2474.</p> <p>For details on the valid DSCP marking values, see Table 3-2 on page -564.</p>
------------------	--

Examples	The following example shows how to set the DSCP marking value to cs7:
----------	---

```
WAE(config)# accelerator cifs preposition 3
WAE(config-preposition)# dscp cs7
```

Related Commands	(config) policy-engine application set-dscp
------------------	---

(config-preposition) duration

To set the maximum duration for a preposition task, use the **duration** preposition configuration command. To remove a duration limit, use the **no** form of this command.

duration *minutes*

no duration *minutes*

Syntax Description	<i>minutes</i>	Maximum number of minutes that the preposition task is allowed to run.
--------------------	----------------	--

Defaults	No default behavior or values.
----------	--------------------------------

Command Modes	preposition configuration mode
---------------	--------------------------------

Device Modes	application-accelerator
--------------	-------------------------

Usage Guidelines	This command specifies the maximum amount of time that the WAAS software should take to complete the preposition task. If the software takes longer than this amount of time, the software stops the prepositioning process before all files are copied to the Edge WAE cache. If the preposition task does not start at the scheduled start time (for example, because the Edge and the Core have no connection), the start retries are counted in the duration. If you do not specify a value for this command, WAAS takes as much time as needed to export this file server.
------------------	---

Examples	The following example shows how to set the maximum task duration to 60 minutes:
----------	---

```
WAE(config)# accelerator cifs preposition 3
WAE(config-preposition)# duration 60
```

Related Commands	(config-preposition) schedule
------------------	---

(config-preposition) enable

To enable a preposition directive, use the **enable** preposition configuration command. To disable a preposition directive, use the **no** form of this command.

enable

no enable

Syntax Description This command has no arguments or keywords.

Defaults Not enabled.

Command Modes preposition configuration mode

Device Modes application-accelerator

Usage Guidelines You must use this command to enable a preposition directive after you define it and schedule it.

Examples The following example shows how to enable a preposition directive:

```
WAE(config)# accelerator cifs preposition 5  
WAE(config-preposition)# enable
```

Related Commands [\(config\) accelerator cifs preposition](#)

(config-preposition) ignore-hidden-dir

To ignore hidden directories in the set of files to be prepositioned, use the **ignore-hidden-dir** preposition configuration command.

ignore-hidden-dir

Syntax Description This command has no arguments or keywords.

Defaults Hidden directories are not ignored.

Command Modes preposition configuration mode

Device Modes application-accelerator

Examples The following example shows how to prevent hidden directories from being prepositioned:

```
WAE(config)# accelerator cifs preposition 3  
WAE(config-preposition)# ignore-hidden-dir
```

Related Commands [\(config-preposition\) root](#)

(config-preposition) max-cache

To set the maximum percentage of the cache that the files from a preposition directive can use, use the **max-cache** preposition configuration command.

max-cache *percentage*

Syntax Description	<i>percentage</i>	Integer from 1–100 that specifies a percentage of the overall Edge WAE cache that prepositioned files can consume.
--------------------	-------------------	--

Defaults	5
----------	---

Command Modes	Preposition configuration mode
---------------	--------------------------------

Device Modes	application-accelerator
--------------	-------------------------

Examples	The following example shows how to set the maximum cache percentage to 10 percent:
----------	--

```
WAE(config)# accelerator cifs preposition 3
WAE(config-preposition)# max-cache 10
```

Related Commands	(config-preposition) max-file-size
------------------	--

(config-preposition) max-file-size

To set the maximum size file that can be prepositioned, use the **max-file-size** preposition configuration command. To remove this limit, use the **no** form of this command.

```
max-file-size size_in_kb
```

```
no max-file-size size_in_kb
```

Syntax Description	<i>size_in_kb</i>	Number of kilobytes of the maximum file size.
--------------------	-------------------	---

Defaults	No default behavior or values.
----------	--------------------------------

Command Modes	preposition configuration mode
---------------	--------------------------------

Device Modes	application-accelerator
--------------	-------------------------

Usage Guidelines	Files that are larger than the specified size are not prepositioned.
------------------	--

Examples	The following example shows how to set the maximum file size to 1000 KB:
----------	--

```
WAE(config)# accelerator cifs preposition 3  
WAE(config-preposition)# max-file-size 1000
```

Related Commands	(config-preposition) max-cache
------------------	--

(config-preposition) min-file-size

To set the minimum size file that can be prepositioned, use the **min-file-size** preposition configuration command. To remove this limit, use the **no** form of this command.

min-file-size *size_in_kb*

no min-file-size *size_in_kb*

Syntax Description	<i>size_in_kb</i>	Number of kilobytes of the minimum file size.
--------------------	-------------------	---

Defaults	20 KB
----------	-------

Command Modes	preposition configuration mode
---------------	--------------------------------

Device Modes	application-accelerator
--------------	-------------------------

Usage Guidelines	Files that are smaller than the specified size are not prepositioned.
------------------	---

Examples	The following example shows how to set the minimum file size to 50 KB:
----------	--

```
WAE(config)# accelerator cifs preposition 3
WAE(config-preposition)# min-file-size 50
```

Related Commands	(config-preposition) max-file-size
------------------	--

(config-preposition) name

To set the display name of a preposition directive, use the **name** preposition configuration command.

name *name*

Syntax Description	<i>name</i>	Name of a preposition directive.
--------------------	-------------	----------------------------------

Defaults	The default name is New preposition directive <i>n</i> .
----------	--

Command Modes	preposition configuration mode
---------------	--------------------------------

Device Modes	application-accelerator
--------------	-------------------------

Examples	The following example shows how to set the preposition directive name:
----------	--

```
WAE(config)# accelerator cifs preposition 3  
WAE(config-preposition)# name working_files
```

Related Commands	(config-preposition) enable
------------------	---

(config-preposition) pattern

To filter the files included for a preposition directive, use the **pattern** preposition configuration command. To remove this filter, use the **no** form of this command.

```
pattern { equals | starts-with | ends-with | contains } text
```

```
no pattern { equals | starts-with | ends-with | contains } text
```

Syntax Description	equals	Specifies to limit the selected files to those filenames that are equal to the specified text.
	starts-with	Specifies to limit the selected files to those filenames that start with the specified text.
	ends-with	Specifies to limit the selected files to those filenames that end with the specified text.
	contains	Specifies to limit the selected files to those filenames that contain the specified text.
	<i>text</i>	Text string that filters the selected files based on the pattern option.

Defaults No default behavior or values.

Command Modes preposition configuration mode

Device Modes application-accelerator

Examples The following example shows how to set a pattern filter to select only files that end with .doc:

```
WAE(config)# accelerator cifs preposition 3
WAE(config-preposition)# pattern ends-with .doc
```

Related Commands [\(config-preposition\) root](#)

(config-preposition) recursive

To include files in subdirectories for a preposition directive, use the **recursive** preposition configuration command. To not include subdirectories, use the **no** form of this command.

recursive

no recursive

Syntax Description This command has no arguments or keywords.

Defaults Subdirectories are included.

Command Modes preposition configuration mode

Device Modes application-accelerator

Examples The following example shows how to exclude subdirectories from prepositioning:

```
WAE(config)# accelerator cifs preposition 3  
WAE(config-preposition)# no recursive
```

Related Commands [\(config-preposition\) root](#)

(config-preposition) root

To set a root directory for a preposition directive, use the **root** preposition configuration command.

root *path*

Syntax Description	<i>path</i>	Full pathname to the directory, not including the server name.
--------------------	-------------	--

Defaults	No default behavior or values.
----------	--------------------------------

Command Modes	preposition configuration mode
---------------	--------------------------------

Device Modes	application-accelerator
--------------	-------------------------

Usage Guidelines	You can configure multiple root directories by executing this command multiple times for a preposition directive.
------------------	---

Examples	The following example shows how to set a root preposition directory:
----------	--

```
WAE(config)# accelerator cifs preposition 3
WAE(config-preposition)# root home/working
```

Related Commands	(config-preposition) pattern (config-preposition) recursive (config-preposition) scan-type (config-preposition) server
------------------	---

(config-preposition) scan-type

To set the file scanning type for a preposition directive, use the **scan-type** preposition configuration command.

scan-type { **full** | **since last** | **since period units** }

Syntax Description	full	since last	since period units
	Specifies to copy all files to the Edge WAE cache.	Specifies to copy only the files that have changed since the last preposition to the Edge WAE cache. This differential filter is applied from the second iteration of a task execution onward.	Specifies to copy only the files that have changed within the specified period. Period values are the number of minutes, hours, days, or weeks (depending on the units specified). Unit values are min , hour , day , or week .

Defaults Full

Command Modes preposition configuration mode

Device Modes application-accelerator

Examples The following example shows how to set the scan-type for a preposition directive:

```
WAE(config)# accelerator cifs preposition 3
WAE(config-preposition)# scan-type since last
```

Related Commands [\(config-preposition\) recursive](#)
[\(config-preposition\) root](#)

(config-preposition) schedule

To set the schedule for starting a preposition task, use the **schedule** preposition configuration command.

```

schedule { now |
             daily time |
             date date time |
             weekly { dayname [dayname]... } time time |
             monthly { week-day dayname weeknumber time time | { day day [day]... } } time time }

```

Syntax Description		
now		Specifies that prepositioning occurs within a few minutes of submitting the schedule.
daily <i>time</i>		Specifies that prepositioning occurs daily at the defined time at which to run the prepositioning task, in the following format: <i>hh:mm</i> , where <i>hh</i> is the hour (00–23) and <i>mm</i> is the minutes (00–59). Hours are in 24-hour format, as in the following example: 23:01
date <i>date time</i>		Specifies that prepositioning occurs at the defined time and date at which to run the prepositioning task, in the following format: <i>DD:MM:YYYY</i> , where <i>DD</i> is the day (01–31), <i>MM</i> is the month (01–12), and <i>YYYY</i> is the year (1993–2035). The time is in the following format: <i>hh:mm</i> , where <i>hh</i> is the hour (00–23) and <i>mm</i> is the minutes (00–59). Example: 28:09:2008 23:01
weekly <i>dayname</i>		Specifies that prepositioning occurs on the selected days of the week at the defined time. To specify multiple days, separate them with spaces, as follows: Monday Tuesday
time <i>time</i>		Specifies the time to run the preposition task on the specified days.
monthly		Specifies that prepositioning occurs on the selected days or dates of the month at the defined time.
week-day <i>dayname weeknumber</i>		Specifies a named day of the week and week of the month to start preposition. Only one day is allowed. Week number values are 1–4.
day <i>day</i>		Specifies a numbered day of the month (integer). To specify multiple days, separate them with spaces, as follows: day 1 6 11 16 21 26 31.

Defaults **now**

Command Modes preposition configuration mode

Device Modes application-accelerator

Examples The following example shows how to set the preposition task to run daily at 11:30 p.m.:

```

WAE(config)# accelerator cifs preposition 3
WAE(config-preposition)# schedule daily 23 30 00

```

The following example shows how to set the preposition task to run on December 15, 2008 at midnight:

```
WAE(config-preposition)# schedule date 15:12:2008 00:00
```

The following example shows how to set the preposition task to run weekly on Wednesdays and Fridays at 8 p.m.:

```
WAE(config-preposition)# schedule weekly Wednesday Friday time 20:00
```

The following example shows how to set the preposition task to run monthly on the 1st and 15th days at 1:00 a.m.:

```
WAE(config-preposition)# schedule monthly day 1 time 15 1:00
```

Related Commands [\(config-preposition\) duration](#)

(config-preposition) server

To set a server name for a preposition directive, use the **server** preposition configuration command.

server *name*

Syntax	Description
<i>name</i>	Server name.

Defaults	Description
	No default behavior or values.

Command Modes	Description
	preposition configuration mode

Device Modes	Description
	application-accelerator

Examples	Description
	The following example shows how to set a server name for a preposition directive:

```
WAE(config)# accelerator cifs preposition 3
WAE(config-preposition)# server win12srv
```

Related Commands	Description
	(config-preposition) credentials
	(config-preposition) root

Virtual Blade Configuration Mode Commands

To configure virtual blades on a WAE device, use the **virtual-blade** global configuration command. To disable a virtual blade, use the **no** form of this command.

```
virtual-blade [virtual-blade-number]
```

```
no virtual-blade [virtual-blade-number]
```

Syntax Description	<i>virtual-blade-number</i>	Number of the virtual blade that you want to configure. The range of valid values depends on the number of virtual blades that your WAE or WAVE appliance can support.
---------------------------	-----------------------------	--

Defaults	No default behavior or values.
-----------------	--------------------------------

Command Modes	global configuration
----------------------	----------------------

Device Modes	application-accelerator
---------------------	-------------------------

Usage Guidelines	<p>Use the virtual-blade command to configure virtual blades on a WAAS device that supports virtual blades. This command initiates the virtual blade configuration mode as indicated by the (config-vb) prompt.</p> <p>Within virtual blade configuration mode, you can use the various commands (device, disk, interface, and so on) to define the resource parameters for the virtual blade. To return to global configuration mode, enter the exit command.</p>
-------------------------	---

Examples	The following example shows how to edit virtual blade 2 and put your WAE into virtual blade configuration mode:
-----------------	---

```
WAE(config)# virtual-blade 2
WAE(config-vb)#
```

The following example shows that the prompt changes to (config-vb) to indicate virtual blade mode.

```
WAE(config-vb)# description This-is-my-virtual-blade-description
WAE(config-vb)# exit
WAE(config)#
```

Related Commands	<p>(config-vb) autostart</p> <p>(config-vb) boot</p>
-------------------------	--

(config-vb) cpu-list
(config-vb) description
(config-vb) device
(config-vb) disk
(config-vb) interface
(config-vb) memory
(config-vb) vnc

(config-vb) autostart

To set a virtual blade to automatically start when the WAE is started, use the **autostart** virtual blade configuration command. To prevent a virtual blade from starting automatically, use the **no** form of this command.

autostart

no autostart

Syntax Description This command has no arguments or keywords.

Defaults No default behavior or values.

Command Modes virtual blade configuration mode

Device Modes application-accelerator

Examples The following example shows how to configure virtual blade 2 to start automatically when the WAE restarts:

```
WAE(config)# virtual-blade 2  
WAE(config-vb)# autostart
```

Related Commands

- [\(config-vb\) boot](#)
- [\(config-vb\) cpu-list](#)
- [\(config-vb\) description](#)
- [\(config-vb\) device](#)
- [\(config-vb\) disk](#)
- [\(config-vb\) interface](#)
- [\(config-vb\) memory](#)

(config-vb) boot

To configure the boot image location and source for a virtual blade, use the **boot** virtual blade configuration command.

```
boot {cd-image {cd-rom | disk location} | fd-image disk location |
      from {cd-rom | disk | network}}
```

Syntax Description		
cd-image		Specifies the location of the boot CD image for the virtual blade. This image can be located on a CD in the WAE CD-ROM drive or it can be an ISO file located on the WAE hard drive.
cd-rom		Specifies that the CD image location is a physical CD in the WAE CD-ROM drive.
disk location		Specifies that the CD image location is an ISO file on the WAE hard drive (for example, /local1/vbs/windows_2003.iso).
fd-image disk location		Specifies the location of the floppy disk image for the virtual blade. This image file must be located on the WAE hard drive (for example, /local1/vbs/fdimage).
from		Specifies the source from which the virtual blade will boot. The boot source (defined by the boot cd-image command) can be a physical CD or a CD image.
cd-rom		Specifies that the virtual blade boots from a physical CD or a CD image (.iso image file stored in the /local1/vbs directory). If you specify this option, the cd-image option is required and configures the location of the boot image.
disk		Specifies that the virtual blade boots from a guest OS installed on the WAE hard drive. If you specify this option, the cd-image option is optional and configures the location of a CD-ROM image that is made available to the guest OS (but is not used for booting).
network		Specifies that the virtual blade boots from a network location. You must have PXE enabled on your network.

Defaults No default behavior or values.

Command Modes virtual blade configuration mode

Device Modes application-accelerator

Usage Guidelines The floppy disk image and bootable CD-ROM image must be located in the /local1/vbs directory. The path used with the **boot cd-image disk** and **boot fd-image disk** commands must be /local1/vbs/*filename*. The CD-ROM image can be used to boot the operating system running on the virtual blade. The floppy disk image reserves resources for an emulated floppy disk drive on the virtual blade.

Use the **boot from cd-rom** option before you have installed a guest OS, to boot from a guest OS installer CD (a physical CD or an .iso file located in /local1/vbs).

Use the **boot from disk** option after you have installed a guest OS, to boot from the installed guest OS.

If you specified **boot from disk**, the **cd-image** keyword is optional and configures the location of a CD-ROM image that is made available to the guest OS (but is not used for booting). The CD image can be changed during operation, by using the **virtual-blade n cd eject EXEC** command followed by the **virtual-blade n cd disk /local1/vbs/newimage.iso** or the **virtual-blade n cd cd-rom EXEC** command.

The **boot from network** option requires PXE to be enabled on your network. A DHCP broadcast message with PXE boot options is sent, and the DHCP server provides the location of files to download for boot.

Use the **boot from network** option to install the same version of software to many virtual blades, or to boot each virtual blade with a complete OS stored and managed in a centralized network location. If you are network booting to install the guest OS, then you may want to configure the virtual blade to boot from the disk on subsequent boots. You can do this by modifying the **boot from** parameter while the virtual blade is running.

Examples

The following example shows how to configure virtual blade 2 to boot from a CD image file (such as a guest OS installer CD) located on the WAE hard disk:

```
WAE(config)# virtual-blade 2
WAE(config-vb)# boot from cd-rom
WAE(config-vb)# boot cd-image disk /local1/vbs/windows_2003.iso
```

The following example shows how to configure virtual blade 1 to boot from a CD-ROM located in the WAE optical drive:

```
WAE(config)# virtual-blade 1
WAE(config-vb)# boot from cd-rom
WAE(config-vb)# boot cd-image cd-rom
```

The following example shows how to configure virtual blade 1 to boot from a previously installed guest OS installed on the WAE hard disk:

```
WAE(config)# virtual-blade 1
WAE(config-vb)# boot from disk
```

The following example shows how to configure virtual blade 1 to boot from a network location:

```
WAE(config)# virtual-blade 1
WAE(config-vb)# boot from network
```

Related Commands


- [\(config-vb\) autostart](#)
- [\(config-vb\) cpu-list](#)
- [\(config-vb\) description](#)
- [\(config-vb\) device](#)
- [\(config-vb\) disk](#)
- [\(config-vb\) interface](#)
- [\(config-vb\) memory](#)

(config-vb) cpu-list

To configure the CPU assignments that the virtual blade runs on, use the **cpu-list** virtual blade configuration command. To remove the virtual blade CPU list configuration, use the **no** form of this command.

```
cpu-list cpu1 [cpu2]
```

```
no cpu-list cpu1 [cpu2]
```

Syntax Description	cpu-list <i>cpu1</i> [<i>cpu2</i>] Specifies the CPUs that are available for this virtual blade. The virtual blade may run on a single CPU or both, if available.
Defaults	A single CPU is assigned per virtual blade by default. If more than one CPU is available, odd numbered virtual blades will use CPU 1, and even numbered virtual blades will use CPU 2.
Command Modes	virtual blade configuration mode
Device Modes	application-accelerator
Usage Guidelines	<p>If the CPU list contains a single entry, then only that CPU will be used. If the CPU list contains two entries, then both CPUs will be used in SMP mode.</p> <p>You may configure any combination of CPUs, however enabling a virtual blade to use more than one core in SMP mode may interfere with another virtual blade using the same core. In this case, a warning is displayed.</p> <p> Note A running virtual blade can be moved between CPUs, but the virtual blade must be stopped to add or remove CPUs.</p> <p>The number of CPUs available for virtual blades depends on the device. On a device with two CPUs, one CPU is always reserved for the WAAS software. On a device with four CPUs, two are reserved for the WAAS software. If no virtual blades are started, all CPUs are used for the WAAS software.</p>
Examples	<p>The following example shows how to configure CPU 1 and CPU 2 for virtual blade 2:</p> <pre>WAE(config)# virtual-blade 2 WAE(config-vb)# cpu-list 1 2</pre>
Related Commands	<p>(config-vb) autostart</p> <p>(config-vb) boot</p>

(config-vb) device
(config-vb) disk
(config-vb) interface
(config-vb) memory

(config-vb) description

To enter a description for a virtual blade on your WAE, use the **description** virtual blade configuration command.

description *description-text*

Syntax	Description
<i>description-text</i>	Text to briefly describe the virtual blade.

Defaults No default behavior or values.

Command Modes virtual blade configuration mode

Device Modes application-accelerator

Examples The following example shows how to define the descriptive text for virtual blade 2 as “Windows Server 2003”:

```
WAE(config)# virtual-blade 2
WAE(config-vb)# description Windows Server 2003
```

Related Commands

- [\(config-vb\) autostart](#)
- [\(config-vb\) boot](#)
- [\(config-vb\) cpu-list](#)
- [\(config-vb\) device](#)
- [\(config-vb\) disk](#)
- [\(config-vb\) interface](#)
- [\(config-vb\) memory](#)

(config-vb) device

To set the device emulation parameters used by the virtual blade on your WAE, use the **device** virtual blade configuration command.

```
device {cpu {qemu64 | qemu32} | nic {rtl8139 | E1000 | virtio} | disk {IDE | virtio} |
       keyboard {emulation}}
```

Syntax Description

cpu	Specifies the CPU emulation to be used on the virtual blade.
qemu64	Specifies a 64-bit processor emulator.
qemu32	Specifies a 32-bit processor emulator
nic	Specifies the network interface card emulation to be used on the virtual blade.
rtl8139	Specifies a Realtek network card emulator.
E1000	Specifies an Intel PRO/1000 network card emulator.
virtio	Specifies a generic NIC emulator optimized for virtual machines.
disk	Specifies the type of hard drive emulation to be used on the virtual blade.
IDE	Specifies an IDE (ATA) type disk emulator.
virtio	Specifies a generic disk controller emulator optimized for virtual machines.
keyboard <i>emulation</i>	Specifies the keyboard device emulation. See Usage Guidelines for values.

Defaults

The default values are as follows:

- **device cpu qemu64**
- **device nic rtl8139**
- **device disk IDE**
- **device keyboard en-us**

Command Modes

virtual blade configuration mode

Device Modes

application-accelerator

Usage Guidelines

Table 3-1 shows valid values for keyboard device emulation.

Table 3-1 Keyboard Device Emulation Values

Emulation	Value
Arabic	ar
Danish	da
German	de

Table 3-1 Keyboard Device Emulation Values (continued)

Emulation	Value
German (Swiss)	de-ch
English (UK)	en-gb
English (US) (default)	en-us
Spanish	es
Estonian	et
Finnish	fi
Faroese	fo
French	fr
French (Belgium)	fr-be
French (Canada)	fr-ca
French (Switzerland)	fr-ch
Croatian	hr
Hungarian	hu
Icelandic	is
Italian	it
Japanese	ja
Lithuanian	lt
Latvian	lv
Macedonian	mk
Dutch	nl
Dutch (Belgium)	nl-be
Norwegian	nor
Polish	pl
Portugese	pt
Portugese (Brazil)	pt-br
Russian	ru
Slovenian	sl
Swedish	sv
Thai	th
Turkish	tr

Examples

The following example shows how to set the device emulation parameters for virtual blade 2. The CPU emulator is set to qemu64, the NIC emulator is set to rtl8139, and the disk type emulator is set to IDE.

```
WAE(config)# virtual-blade 2
WAE(config-vb)# device cpu qemu64
WAE(config-vb)# device nic rtl8139
WAE(config-vb)# device disk IDE
```

Related Commands

(config-vb) autostart
(config-vb) boot
(config-vb) cpu-list
(config-vb) description
(config-vb) disk
(config-vb) interface
(config-vb) memory

(config-vb) disk

To allocate disk space for a virtual blade on the WAE hard drive, use the **disk** virtual blade configuration command.

```
disk disk1-size disk2-size disk3-size disk4-size
```

Syntax Description		
	<i>disk1-size</i>	Amount of disk space allocated for the virtual disk 1 of the virtual blade in gigabytes. The range of valid values is from 1 to 1000.
	<i>disk2-size</i>	Amount of disk space allocated for the virtual disk 2 of the virtual blade in gigabytes. The range of valid values is from 0 to 1000.
	<i>disk3-size</i>	Amount of disk space allocated for the virtual disk 3 of the virtual blade in gigabytes. The range of valid values is from 0 to 1000. If you are using IDE disk emulation, you must specify 0 for the size of disk 3, because this IDE bus position is used for a CD-ROM.
	<i>disk4-size</i>	Amount of disk space allocated for the virtual disk 4 of the virtual blade in gigabytes. The range of valid values is from 0 to 1000.

Defaults No default behavior or values.

Command Modes virtual blade configuration mode

Device Modes application-accelerator

Usage Guidelines You can configure up to four virtual hard disks on the virtual blade.

Examples The following example shows how to allocate 40 GB of disk space for a single virtual hard disk in virtual blade 1:

```
WAE(config)# virtual-blade 1
WAE(config-vb)# disk 40
```

The following example shows how to allocate four virtual hard disks in virtual blade 2:

```
WAE(config)# virtual-blade 2
WAE(config-vb)# disk 10 30 0 15
```

Related Commands

- [\(config-vb\) autostart](#)
- [\(config-vb\) boot](#)
- [\(config-vb\) cpu-list](#)
- [\(config-vb\) description](#)

(config-vb) device
(config-vb) interface
(config-vb) memory

(config-vb) interface

To bridge a virtual blade interface to an interface on your WAE, use the **interface** virtual blade configuration command.

```
interface vb-interface bridge { GigabitEthernet [slot]/[port] | PortChannel channel }
```

Syntax Description	<i>vb-interface</i>	Virtual blade interface to be bridged; valid values are 1 or 2.
	bridge	Specifies that a virtual blade interface will be bridged to a physical WAE interface.
	GigabitEthernet	Specifies a Gigabit Ethernet interface on the WAE, and the port value is 0.
	<i>slot</i>	(Optional) Slot value is 1 or 2.
	<i>port</i>	(Optional) Port value is 0.
	PortChannel <i>channel</i>	Specifies a port channel interface on the WAE. The value is 1.

Defaults No default behavior or values.

Command Modes virtual blade configuration mode

Device Modes application-accelerator

Usage Guidelines The virtual blade requires bridging of its virtual interface to a physical interface on the WAE so that it can connect to the network and other services.

Examples The following example shows how to bridge interface 1 on virtual blade 2 to Gigabit Ethernet slot 2, port 0 on the WAE:

```
WAE(config)# virtual-blade 2
WAE(config-vb)# interface 1 bridge GigabitEthernet 2/0
```

Related Commands

- [\(config-vb\) autostart](#)
- [\(config-vb\) boot](#)
- [\(config-vb\) cpu-list](#)
- [\(config-vb\) description](#)
- [\(config-vb\) device](#)
- [\(config-vb\) disk](#)
- [\(config-vb\) memory](#)

(config-vb) memory

To allocate memory for a virtual blade from the WAE system, use the **memory** virtual blade configuration command.

memory *memory-allocation*

Syntax Description	<i>memory-allocation</i>	Amount of memory allocated for the virtual memory of a virtual blade, in megabytes.
---------------------------	--------------------------	---

Defaults No default behavior or values.

Command Modes virtual blade configuration mode

Device Modes application-accelerator

Usage Guidelines The amount of memory that can be allocated for a virtual blade depends on the amount of memory in your WAE or WAVE appliance, and on the amount of memory that is assigned to other virtual blades. The minimum amount of memory that you can allocate for a single virtual blade is 512 MB.

Examples The following example shows how to allocate 4 MB of memory for virtual blade 2:

```
WAE(config)# virtual-blade 2
WAE(config-vb)# memory 4
```

Related Commands

- [\(config-vb\) autostart](#)
- [\(config-vb\) boot](#)
- [\(config-vb\) cpu-list](#)
- [\(config-vb\) description](#)
- [\(config-vb\) device](#)
- [\(config-vb\) disk](#)
- [\(config-vb\) interface](#)

(config-vb) vnc

To enable the VNC server for a virtual blade, use the **vnc** virtual blade configuration command. To disable the VNC server for a virtual blade, use the **no** form of this command.

vnc

no vnc

Syntax Description This command has no arguments or keywords.

Defaults The VNC server is enabled by default.

Command Modes virtual blade configuration mode

Device Modes application-accelerator

Usage Guidelines The VNC server is enabled by default.
When you disable the VNC server, any active VNC connections are closed.

Examples The following example shows how to disable the VNC server for virtual blade 2:

```
WAE(config)# virtual-blade 2  
WAE(config-vb)# no vnc
```

Related Commands

- [\(config-vb\) autostart](#)
- [\(config-vb\) boot](#)
- [\(config-vb\) cpu-list](#)
- [\(config-vb\) description](#)
- [\(config-vb\) device](#)
- [\(config-vb\) disk](#)
- [\(config-vb\) interface](#)

PKI Certificate Authority Configuration Mode Commands

To configure public key infrastructure (PKI) encryption certificate authorities on a WAAS device, use the **crypto pki ca** global configuration command. To delete a PKI encryption certificate authority, use the **no** form of the command.

```
crypto pki ca certificate_authority_name
```

```
no crypto pki ca certificate_authority_name
```

Syntax Description

certificate_authority_name The name of the certificate authority (CA). The CA name may contain up to 64 characters.

Defaults

No default behavior or values.

Command Modes

global configuration

Device Modes

application-accelerator
central-manager

Usage Guidelines

Use the command to add and configure a certificate authority. This command initiates the certificate authority configuration mode, indicated by the **(config-ca)** prompt.

Within certificate authority configuration mode, you can use the various commands (**ca-certificate**, **description**, **revocation check**, and so on) to define an encryption certificate authority. To return to global configuration mode, enter **exit** at the certificate authority configuration mode prompt.

Examples

The following example shows how to create or edit a certificate authority named mycertauth. If the certificate authority is already established on the WAAS device, the **crypto pki ca** command edits it. If the certificate authority does not exist, the **crypto pki ca** command creates it.

```
WAE(config)# crypto pki ca mycertauth
WAE(config-ca)# description This-is-my-CA-description
WAE(config-ca)# exit
WAE(config)#
```

Related Commands

[\(config-ca\) ca-certificate](#)

(config-ca) description

(config-ca) revocation-check

(config-ca) ca-certificate

To set the certification authority file to be used by the WAAS device, use the **ca-certificate** certification authority configuration command.

```
ca-certificate filename.ca
```

Syntax Description	<i>filename.ca</i>	The filename of the certificate authority. The filename must end in .ca and be no longer than 32 characters.
---------------------------	--------------------	--

Defaults	No default behavior or values.
-----------------	--------------------------------

Command Modes	certification authority configuration
----------------------	---------------------------------------

Device Modes	application-accelerator central-manager
---------------------	--

Usage Guidelines	Before you can assign a certification authority file using the ca-certificate command, the certification authority file must be imported using the crypto import ca-certificate EXEC command. See the crypto import command.
-------------------------	--

Examples	The following example shows how to specify the certification authority file to use:
-----------------	---

```
WAE(config)# crypto pki ca mycertauth  
WAE(config-ca)# ca-certificate mycafile.ca
```

Related Commands	(config-ca) description (config-ca) revocation-check
-------------------------	---

(config-ca) description

To enter a description for the certification authority to be used by the WAAS device, use the **description** command.

description *description-text*

Syntax Description

<i>description-text</i>	Test to briefly describe the certification authority being used. The description text cannot contain spaces and must not exceed 256 characters.
-------------------------	---

Defaults

No default behavior or values.

Command Modes

certification authority configuration

Device Modes

application-accelerator
central-manager

Examples

The following example shows how to define the descriptive text for the certification authority:

```
WAE(config)# crypto pki ca mycertauth
WAE(config-ca)# description This-is-my-CA-description
```

Related Commands

[\(config-ca\) ca-certificate](#)
[\(config-ca\) revocation-check](#)

(config-ca) revocation-check

To configure the certification authority revocation checking method, use the **revocation-check** command.

```
revocation-check { none | ocsf-cert-url | ocsf-url } [none | ocsf-cert-url | ocsf-url]
```

Syntax Description	none	No revocation checking is used.
	ocsf-cert-url	Enables Online Certificate Status Protocol (OCSP) revocation status checking using the CA server URL defined in the CA certificate.
	ocsf-url	Enables OCSP revocation status checking using the URL defined for the global OCSP settings.

Defaults No default behavior or values.

Command Modes certification authority configuration

Device Modes application-accelerator
central-manager

Examples The following example shows how to configure certification authority revocation checking to use the URL defined in the global OCSP settings:

```
WAE(config)# crypto pki ca mycertauth
WAE(config-ca)# revocation-check ocsf-url
```

The following example shows how to configure revocation checking to use the URL defined in the global OCSP settings as the first method, and to use no checking as the second method:

```
WAE(config)# crypto pki ca mycertauth
WAE(config-ca)# revocation-check ocsf-url none
```

Related Commands [\(config-ca\) ca-certificate](#)
[\(config-ca\) description](#)

■ (config-ca) revocation-check

PKI Global Settings Configuration Mode Commands

To configure public key infrastructure (PKI) encryption global settings on a WAAS device, use the **crypto pki global-settings** global configuration command.

crypto pki global-settings

Syntax Description This command has no arguments or keywords.

Defaults No default behavior or values.

Command Modes global configuration

Device Modes application-accelerator

Usage Guidelines Use the **crypto pki global-settings** command to configure OCSP and revocation checking. The **crypto pki global-settings** command initiates the global settings configuration mode, as indicated by the following prompt:

```
WAE(config-pki-global-settings)
```

Within PKI global settings configuration mode, you can use PKI global settings commands to define PKI settings. To return to global configuration mode, enter **exit** at the PKI global settings configuration mode prompt.

Examples The following example shows how to enter PKI global settings configuration mode:

```
WAE(config)# crypto pki global-settings  
WAE(config-pki-global-settings)#
```

Related Commands [\(config-pki-global-settings\) obsp](#)
[\(config-pki-global-settings\) revocation-check](#)

(config-pki-global-settings) oosp

To enter the URL to be used as the global settings for the Online Certificate Status Protocol (OCSP) protocol revocation status checking, use the oosp PKI global settings configurations mode command.

```
oosp url http://address
```

Syntax Description	url http://address The URL to be used for OCSP revocation status checking.
Defaults	No default behavior or values.
Command Modes	PKI global settings configuration
Device Modes	application-accelerator central-manager
Examples	The following example shows how to define the OCSP URL as www.myocspurl.com: <pre>WAE(config)# crypto pki global-settings WAE(config-pki-global-settings)# oosp url http://www.myocspurl.com</pre>
Related Commands	(config-pki-global-settings) revocation-check

(config-pki-global-settings) revocation-check

To configure the global settings revocation checking method, use the **revocation-check** command.

```
revocation-check { ojsp-cert-url | ojsp-url } [none]
```

Syntax Description	Parameter	Description
	ojsp-cert-url	Enables Online Certificate Status Protocol (OCSP) revocation status checking using the CA server URL defined in the CA certificate.
	ojsp-url	Enables OCSP revocation status checking using the URL defined for the global OCSP settings.

Defaults No default behavior or values.

Command Modes PKI global settings configuration

Device Modes application-accelerator
central-manager

Examples The following example shows how to configure the global revocation checking to use the URL defined in the global OCSP settings:

```
WAE(config)# crypto pki global-settings
WAE(config-pki-global-settings)# revocation-check ojsp-url
```

The following example shows how to configure the global revocation checking use the URL defined in the global OCSP settings as the first method, and to use no checking as the second method:

```
WAE(config)# crypto pki global-settings
WAE(config-pki-global-settings)# revocation-check ojsp-url none
```

Related Commands [\(config-pki-global-settings\) ojsp](#)

■ (config-pki-global-settings) revocation-check

SSL Accelerated Service Configuration Mode Commands

SSL accelerated services lets you enable and configure SSL acceleration on your WAAS system, and define services to be accelerated on the SSL path. To configure secure socket layer (SSL) encryption accelerated services on a WAAS device, use the **crypto ssl services accelerated-service** global configuration command. To delete a parameter use the **no** form of the command.

```
crypto ssl service accelerated-service service-name
```

```
no crypto ssl service accelerated-service service-name
```

Syntax Description	<i>service-name</i>	The name of the accelerated service that you want to create or edit. The service list name may contain up to 64 characters.
Defaults	No default behavior or values.	
Command Modes	global configuration	
Device Modes	application-accelerator central-manager	
Usage Guidelines	<p>Use the crypto ssl services accelerated-service command to add and configure an accelerated service. The crypto ssl services accelerated-service command initiates accelerated service configuration mode, as indicated by the following prompt:</p> <pre>WAE(config-ssl-accelerated)#</pre> <p>Within SSL accelerated service configuration mode, you can use SSL accelerated service configuration commands. To return to global configuration mode, enter exit at the accelerated service configuration mode prompt.</p>	
Examples	<p>The following example shows how to create or edit an accelerated service called myservice. If the service is already established on the WAAS device, the crypto ssl services accelerated-service command edits it. If the service does not exist, the crypto ssl services accelerated-service command creates it:</p> <pre>WAE(config)# crypto ssl services accelerated-service myservice WAE(config-ssl-accelerated)# exit WAE(config)#</pre>	

Related Commands

(config-ssl-accelerated) cipher-list
(config-ssl-accelerated) client-cert-verify
(config-ssl-accelerated) client-version-rollback-check
(config-ssl-accelerated) description
(config-ssl-accelerated) inservice
(config-ssl-accelerated) server-cert-key
(config-ssl-accelerated) server-cert-verify
(config-ssl-accelerated) server-domain
(config-ssl-accelerated) server-ip
(config-ssl-accelerated) server-name
(config-ssl-accelerated) version

(config-ssl-accelerated) cipher-list

To configure secure socket layer (SSL) encryption cipher lists on a WAAS device, use the **cipher-list** command. To delete a cipher list use the **no** form of the command.

cipher-list *cipher-list-name*

no cipher-list *cipher-list-name*

Syntax Description	<i>cipher-list-name</i>	The name of the cipher list you want to create or edit. The cipher list name may contain up to 64 characters.
Defaults	No default behavior or values.	
Command Modes	SSL accelerated service configuration	
Device Modes	application-accelerator central-manager	
Usage Guidelines	A cipher list is customer list of cipher suites that you assign to an SSL connection. (See the SSL Cipher List Configuration Mode Commands chapter for more information.)	
Examples	<p>The following example shows how to enter SSL accelerated service configuration mode, and then create or edit a cipher list called myciphers. If the cipher list is already established on the WAAS device, the cipher-list command edits it. If the cipher list does not exist, the cipher-list command creates it:</p> <pre>WAE(config)# crypto ssl services accelerated-service myservice WAE(config-ssl-accelerated)# cipher-list myciphers</pre>	
Related Commands	(config) crypto ssl	

(config-ssl-accelerated) client-cert-verify

To enable verification of client certificates, use the **client-cert-verify** command.

client-cert-verify [revocation-check none]

Syntax Description	revocation-check none Specifies a revocation check null method that returns revocation success.
Defaults	No default behavior or values.
Command Modes	SSL accelerated service configuration
Device Modes	application-accelerator central-manager
Usage Guidelines	If the server and client devices are using self-signed certificates and certificate verification is enabled, WAAS devices will not be able to accelerate SSL traffic. To disable OCSP certificate revocation checking, set the revocation check value to none.
Examples	The following example shows how to enter SSL accelerated service configuration mode, and then set the revocation check method to none: <pre>WAE(config)# crypto ssl services accelerated-service myservice WAE(config-ssl-accelerated)# client-cert-verify revocation-check none</pre>
Related Commands	(config) crypto ssl

(config-ssl-accelerated) client-version-rollback-check

To disable the client SSL version rollback check, use the **client-version-rollback-check** command.

client-version-rollback-check disable

Syntax Description	disable Disables the client SSL version rollback check.
Defaults	No default behavior or values.
Command Modes	SSL accelerated service configuration
Device Modes	application-accelerator central-manager
Usage Guidelines	If a non-RFC 2246 compliant client passes the incorrect client version in the SSL message, a bad record MAC SSL handshake failure may occur. The SSL accelerator terminates such connections. In this case, you can disable the client version rollback check which allows these connections to be optimized.
Examples	The following example shows how to enter SSL accelerated service configuration mode, and then disable the client SSL version rollback check: <pre>WAE(config)# crypto ssl services accelerated-service myservice WAE(config-ssl-accelerated)# client-version-rollback-check disable</pre>
Related Commands	(config) crypto ssl

(config-ssl-accelerated) description

To add a description of the SSL accelerated service, use the **description** command.

description *description*

Syntax Description	<i>description</i>	Configures a string that is the description of the SSL accelerated service.
---------------------------	--------------------	---

Defaults No default behavior or values.

Command Modes SSL accelerated service configuration

Device Modes application-accelerator
central-manager

Examples The following example shows how to enter SSL accelerated service configuration mode, and then a description of the accelerated service:

```
WAE(config)# crypto ssl services accelerated-service myservice
WAE(config-ssl-accelerated)# description SSL accelerated service
```

Related Commands [\(config\) crypto ssl](#)

(config-ssl-accelerated) inservice

To enable the accelerated service, use the **inservice** command.

inservice

Syntax Description This command has no arguments or keywords.

Defaults No default behavior or values.

Command Modes SSL accelerated service configuration

Device Modes application-accelerator
central-manager

Examples The following example shows how to enter SSL accelerated service configuration mode, and then enable the accelerated service:

```
WAE(config)# crypto ssl services accelerated-service myservice  
WAE(config-ssl-accelerated)# inservice
```

Related Commands [\(config\) crypto ssl](#)

(config-ssl-accelerated) server-cert-key

To configure a certificate and private key, use the **server-cert-key** command.

server-cert-key *filename*

Syntax Description	<i>filename</i>	Filename of the certificate and key. Must be in PKCS#12 and have a “.p12” extension.
---------------------------	-----------------	--

Defaults No default behavior or values.

Command Modes SSL accelerated service configuration

Device Modes application-accelerator
central-manager

Examples The following example shows how to enter SSL accelerated service configuration mode, and then import a certificate and key:

```
WAE(config)# crypto ssl services accelerated-service myservice
WAE(config-ssl-accelerated)# server-cert-key cert.p12
```

Related Commands [\(config\) crypto ssl](#)

(config-ssl-accelerated) server-cert-verify

To enable verification of server certificates, use the **server-cert-verify** command.

```
server-cert-verify [revocation-check none]
```

Syntax Description	revocation-check none	Specifies a revocation check null method that returns revocation success.
Defaults	No default behavior or values.	
Command Modes	SSL accelerated service configuration	
Device Modes	application-accelerator central-manager	
Usage Guidelines	If the server and client devices are using self-signed certificates and certificate verification is enabled, WAAS devices will not be able to accelerate SSL traffic. To disable OCSP certificate revocation checking, set the revocation check value to none.	
Examples	The following example shows how to enter SSL accelerated service configuration mode, and then set the revocation check method to none: WAE(config)# crypto ssl services accelerated-service myservice WAE(config-ssl-accelerated)# server-cert-verify revocation-check none	
Related Commands	(config) crypto ssl	

(config-ssl-accelerated) server-domain

To configure the accelerated server domain and TCP port, use the **server-domain** command.

```
server-domain srv-domain {port port-no}
```

Syntax Description	server-domain <i>srv-domain</i>	port <i>port-no</i>
	Specifies the domain name of the accelerated server starting with the characters "*.". 255 alphanumeric characters maximum, 63 characters per label/segment.	Specifies the port number of the accelerated server. Range is 1 to 65535.

Defaults No default behavior or values.

Command Modes SSL accelerated service configuration

Device Modes application-accelerator
central-manager

Examples The following example shows how to enter SSL accelerated service configuration mode, and then set the accelerated server domain name and port:

```
WAE(config)# crypto ssl services accelerated-service myservice
WAE(config-ssl-accelerated)# server-domain 2.2.2.2 port 1
```

Related Commands [\(config\) crypto ssl](#)

(config-ssl-accelerated) server-ip

To configure the accelerated server IP address and TCP port, use the **server-ip** command.

```
server-ip ip-address {port port-no}
```

Syntax Description	server-ip ip-address	Specifies the IP address of the accelerated server.
	port port-no	Specifies the port number of the accelerated server. Range is 1 to 65535.

Defaults No default behavior or values.

Command Modes SSL accelerated service configuration

Device Modes application-accelerator
central-manager

Examples The following example shows how to enter SSL accelerated service configuration mode, and then set the accelerated server IP address and port:

```
WAE(config)# crypto ssl services accelerated-service myservice
WAE(config-ssl-accelerated)# server-ip 2.2.2.2 port 1
```

Related Commands (config) crypto ssl

(config-ssl-accelerated) server-name

To configure the accelerated server hostname and TCP port, use the **server-name** command.

```
server-name hostname {port port-no}
```

Syntax Description	server-name <i>hostname</i>	port <i>port-no</i>
	Specifies the hostname of the accelerated server. 255 alphanumeric characters max, 63 characters per label/segment.	Specifies the port number of the accelerated server. Range is 1 to 65535.

Defaults No default behavior or values.

Command Modes SSL accelerated service configuration

Device Modes application-accelerator
central-manager

Examples The following example shows how to enter SSL accelerated service configuration mode, and then set the accelerated server name and port:

```
WAE(config)# crypto ssl services accelerated-service myservice
WAE(config-ssl-accelerated)# server-name acc_server port 1
```

Related Commands [\(config\) crypto ssl](#)

(config-ssl-accelerated) version

To specify the type of SSL protocol to use for accelerated services, use the **version** command.

```
version {all | ssl3 | tls1}
```

Syntax Description	version {all ssl3 tls1}	Specifies SSL3 for the SSL version 3 protocol, TLS1 for the Transport Layer Security version 1 protocol, or All to use both SSL3 and TLS1 SSL protocols.
Defaults	No default behavior or values.	
Command Modes	SSL accelerated service configuration	
Device Modes	application-accelerator central-manager	
Examples	The following example shows how to enter SSL accelerated service configuration mode, and then set the protocol to SSL version 3: WAE(config)# crypto ssl services accelerated-service myservice WAE(config-ssl-accelerated)# version SSL3	
Related Commands	(config) crypto ssl	

■ (config-ssl-accelerated) version

SSL Cipher List Configuration Mode Commands

A cipher list is customer list of cipher suites that you assign to an SSL connection. To configure secure socket layer (SSL) encryption cipher lists on a WAAS device, use the **crypto ssl cipher-list** global configuration command. To delete a cipher list use the **no** form of the command.

```
crypto ssl cipher-list cipher-list-name
```

```
no crypto ssl cipher-list cipher-list-name
```

Syntax Description	<i>cipher-list-name</i>	The name of the cipher list you want to create or edit. The cipher list name may contain up to 64 characters.
Defaults	No default behavior or values.	
Command Modes	global configuration	
Device Modes	application-accelerator central-manager	
Usage Guidelines	<p>Use the crypto ssl cipher-list command to add and configure a cipher list. The crypto ssl cipher-list command initiates cipher list configuration mode, as indicated by the following prompt:</p> <pre>WAE(config-cipher-list)#</pre> <p>Within cipher list configuration mode, you can use the cipher cipher list configuration command to define list of cipher suites. To return to global configuration mode, enter exit at the cipher list configuration mode prompt.</p>	
Examples	<p>The following example shows how to create or edit a cipher list called myciphers. If the cipher list is already established on the WAAS device, the crypto ssl cipher-list command edits it. If the cipher list does not exist, the crypto ssl cipher-list command creates it:</p> <pre>WAE(config)# crypto ssl cipher-list myciphers WAE(config-ca)# cipher rsa-with-rc4-128-sha WAE(config-ca)# exit WAE(config)#</pre>	
Related Commands	(config-cipher-list) cipher	

(config-cipher-list) cipher

To add a cipher suite to a cipher list, or to change the priority of a cipher suite on the list, use the **cipher** command.

cipher *cipher-suite-name* [**priority** *value*]

Syntax Description		
	<i>cipher-suite-name</i>	The name of the cipher suite you want to add or reprioritize. Type any of the following strings: dhe-rsa-with-3des-ede-cbc-sha dhe-rsa-with-aes-128-cbc-sha dhe-rsa-with-aes-256-cbc-sha dhe-rsa-with-des-cbc-sha rsa-with-3des-ede-cbc-sha rsa-with-aes-128-cbc-sha rsa-with-aes-256-cbc-sha rsa-with-des-cbc-sha rsa-with-rc4-128-md5 rsa-with-rc4-128-sha If you are establishing an SSL connection to a Microsoft IIS server, do not select a DHE-based cipher suite.
	priority <i>value</i>	The priority of the cipher suite in relation to other suites in the list. The priority value is from 1 to 15 (15 is the highest).

Defaults No default behavior or values.

Command Modes cipher list configuration

Device Modes application-accelerator
central-manager

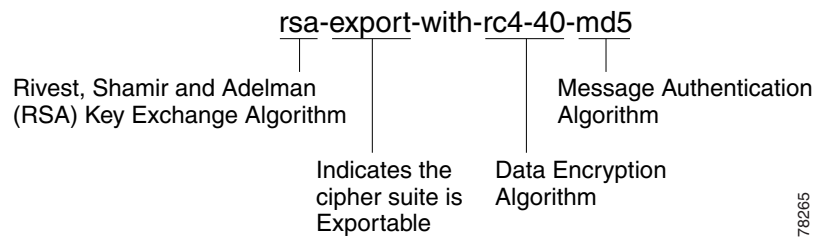
Usage Guidelines The SSL protocol supports a variety of different cryptographic algorithms, or ciphers, for use in operations such as authenticating the server and client to each other, transmitting certificates, and establishing session keys. Clients and servers may support different cipher suites, or sets of ciphers, depending on various factors such as the version of SSL they support, company policies regarding acceptable encryption strength, and government restrictions on export of SSL-enabled software. Among its other functions, the SSL handshake protocol determines how the server and client negotiate which cipher suites they will use to authenticate each other to transmit certificates and to establish session keys.

**Note**

Note *Exportable* cipher suites are those cipher suites that are considered not to be as strong as some of the other cipher suites (for example, 3DES or RC4 with 128-bit encryption) as defined by U.S. export restrictions on software products. Exportable cipher suites may be exported to most countries from the United States, and provide the strongest encryption available for exportable products.

Each cipher suite specifies a set of key exchange algorithms. For example, [Figure 3-1](#) summarizes the algorithms associated with the `rsa-export-with-rc4-40-md5` cipher suite.

Figure 3-1 Cipher Suite Algorithms



[Table 3-1](#) lists the supported cipher suites and indicates whether those cipher suites are exportable, the authentication certificate, and the encryption key required by the cipher suite.

Table 3-1 SSL Cipher Suites

Cipher Suite	Exportable	Authentication Certificate Used	Key Exchange Algorithm Used
rsa-with-rc4-128-md5	No	RSA certificate	RSA key exchange
rsa-with-rc4-128-sha	No	RSA certificate	RSA key exchange
rsa-with-des-cbc-sha	No	RSA certificate	RSA key exchange
rsa-with-3des-ede-cbc-sha	No	RSA certificate	RSA key exchange
dhe-rsa-with-des-cbc-sha	No	RSA certificate	Ephemeral Diffie-Hellman key exchange
dhe-rsa-with-3des-ede-cbc-sha	No	RSA certificate	Ephemeral Diffie-Hellman key exchange

**Note**

The client-specified order for ciphers overrides the cipher list priority assigned here if the cipher list is applied to an accelerated service. The priorities assigned in this cipher list are only applicable if the cipher list is applied to SSL peering and management services.

Examples

The following example shows how to enter cipher list configuration mode for the cipher list named `myciphers`, and then add the cipher suite `rsa-with-3des-ede-cbc-sha` with a priority of 1:

```
WAE(config)# crypto ssl cipher-list myciphers
```

(config-cipher-list) cipher

```
WAE(config-cipher-list)# cipher rsa-with-3des-edc-sha priority 1
```

Related Commands [\(config\) crypto ssl](#)

SSL Global Service Configuration Mode Commands

SSL global service lets you enable and configure basic SSL acceleration settings on your WAAS system. To configure global services on a WAAS device, use the **crypto ssl services global-settings** global configuration command. To delete a parameter use the **no** form of the command.

crypto ssl services global-settings

no crypto ssl services global-settings

Syntax Description This command has no arguments or keywords.

Defaults No default behavior or values.

Command Modes global configuration

Device Modes application-accelerator
central-manager

Usage Guidelines Use the **crypto ssl services global-settings** command to configure basic SSL acceleration settings. The **crypto ssl services global-settings** command initiates SSL global service configuration mode, as indicated by the following prompt:

```
WAE(config-ssl-global)#
```

Within SSL global service configuration mode, you can use SSL global service configuration commands. To return to global configuration mode, enter **exit** at the SSL global service configuration mode prompt.

Examples The following example shows how to enter SSL global service configuration mode:

```
WAE(config)# crypto ssl services global-settings
WAE(config-ssl-global)# exit
WAE(config)#
```

Related Commands [\(config-ssl-global\) cipher-list](#)
[\(config-ssl-global\) machine-cert-key](#)

(config-ssl-global) version

(config-ssl-global) cipher-list

To configure secure socket layer (SSL) encryption cipher lists on a WAAS device, use the **cipher-list** command. To delete a cipher list use the **no** form of the command.

cipher-list *cipher-list-name*

no cipher-list *cipher-list-name*

Syntax Description	<i>cipher-list-name</i>	The name of the cipher list you want to create or edit. The cipher list name may contain up to 64 characters.
Defaults	No default behavior or values.	
Command Modes	SSL global service configuration	
Device Modes	application-accelerator central-manager	
Usage Guidelines	A cipher list is customer list of cipher suites that you assign to an SSL connection. (See the SSL Cipher List Configuration Mode Commands chapter for more information.)	
Examples	The following example shows how to enter SSL global service configuration mode, and then create or edit a cipher list called myciphers. If the cipher list is already established on the WAAS device, the cipher-list command edits it. If the cipher list does not exist, the cipher-list command creates it: <pre>WAE(config)# crypto ssl services management-service WAE(config-ssl-global)# cipher-list myciphers</pre>	
Related Commands	(config) crypto ssl	

(config-ssl-global) machine-cert-key

To configure a certificate and private key, use the **machine-cert-key** command.

machine-cert-key *filename*

Syntax Description	<i>filename</i>	Filename of the certificate and key. Must be in PKCS#12 and have a “.p12” extension.
---------------------------	-----------------	--

Defaults No default behavior or values.

Command Modes SSL global service configuration

Device Modes application-accelerator
central-manager

Examples The following example shows how to enter SSL global service configuration mode, and then import a certificate and key:

```
WAE(config)# crypto ssl services global-settings
WAE(config-ssl-global)# machine-cert-key cert.p12
```

Related Commands [\(config\) crypto ssl](#)

(config-ssl-global) version

To specify the type of SSL protocol to use for global services, use the **version** command.

```
version {all | ssl3 | tls1}
```

Syntax Description	version {all ssl3 tls1}	Specifies SSL3 for the SSL version 3 protocol, TLS1 for the Transport Layer Security version 1 protocol, or All to use both SSL3 and TLS1 SSL protocols.
Defaults	No default behavior or values.	
Command Modes	SSL global service configuration	
Device Modes	application-accelerator central-manager	
Examples	The following example shows how to enter SSL global service configuration mode, and then set the protocol to SSL version 3: WAE(config)# crypto ssl global-settings WAE(config-ssl-global)# version SSL3	
Related Commands	(config) crypto ssl	

■ (config-ssl-global) version

SSL Host Peering Service Configuration Mode Commands

SSL peering service configuration parameters control secure communications established by the SSL accelerator between WAE devices while optimizing SSL connections. To configure secure socket layer (SSL) encryption peering services on a WAAS device, use the **crypto ssl services host-service** global configuration command. To delete a parameter use the **no** form of the command.

crypto ssl services host-service peering

no crypto ssl services host-service peering

Syntax Description This command has no arguments or keywords.

Defaults No default behavior or values.

Command Modes global configuration

Device Modes application-accelerator
central-manager

Usage Guidelines Use the **crypto ssl services host-service** command to configure SSL peering service parameters. The **crypto ssl services host-service** command initiates SSL host peering service configuration mode, as indicated by the following prompt:

```
WAE(config-ssl-peering)#
```

Within SSL host peering service configuration mode, you can use SSL host peering service configuration commands. To return to global configuration mode, enter **exit** at the SSL host peering service configuration mode prompt.

Examples The following example shows how to enter SSL host peering service configuration mode:

```
WAE(config)# crypto ssl services host-service
WAE(config-ssl-peering)# exit
WAE(config)#
```

Related Commands [\(config-ssl-peering\) cipher-list](#)
[\(config-ssl-peering\) peer-cert-verify](#)

(config-ssl-peering) version

(config-ssl-peering) cipher-list

To configure secure socket layer (SSL) encryption cipher lists on a WAAS device, use the **cipher-list** command. To delete a cipher list use the **no** form of the command.

cipher-list *cipher-list-name*

no cipher-list *cipher-list-name*

Syntax Description	<i>cipher-list-name</i>	The name of the cipher list you want to create or edit. The cipher list name may contain up to 64 characters.
---------------------------	-------------------------	---

Defaults	No default behavior or values.
-----------------	--------------------------------

Command Modes	SSL host peering service configuration
----------------------	--

Device Modes	application-accelerator central-manager
---------------------	--

Usage Guidelines	A cipher list is customer list of cipher suites that you assign to an SSL connection. (See the SSL Cipher List Configuration Mode Commands chapter for more information.)
-------------------------	---

Examples	The following example shows how to enter SSL host peering service configuration mode, and then create or edit a cipher list called myciphers. If the cipher list is already established on the WAAS device, the cipher-list command edits it. If the cipher list does not exist, the cipher-list command creates it:
-----------------	--

```
WAE(config)# crypto ssl services management-service  
WAE(config-ssl-peering)# cipher-list myciphers
```

Related Commands	(config) crypto ssl
-------------------------	-------------------------------------

(config-ssl-peering) peer-cert-verify

To enable verification of peer certificates, use the **peer-cert-verify** command.

peer-cert-verify [revocation-check none]

Syntax Description	revocation-check none	Specifies a revocation check null method that returns revocation success.
Defaults	No default behavior or values.	
Command Modes	SSL host peering service configuration	
Device Modes	application-accelerator central-manager	
Usage Guidelines	<p>SSL peering service configuration parameters control secure communications established by the SSL accelerator between WAE devices while optimizing SSL connections.</p> <p>If peer certificate verification is enabled, WAAS devices that use self-signed certificates will not be able to establish peering connections to each other and, thus, not be able to accelerate SSL traffic.</p> <p>To disable OCSP certificate revocation checking, set the revocation check value to none.</p>	
Examples	<p>The following example shows how to enter SSL host peering service configuration mode, and then set the revocation check method to none:</p> <pre>WAE(config)# crypto ssl services host-service peering WAE(config-ssl-peering)# peer-cert-verify revocation-check none</pre>	
Related Commands	(config) crypto ssl	

(config-ssl-peering) version

To specify the type of SSL protocol to use for management services, use the **version** command.

```
version {all | ssl3 | tls1}
```

Syntax Description	version {all ssl3 tls1}	Specifies SSL3 for the SSL version 3 protocol, TLS1 for the Transport Layer Security version 1 protocol, or All to use both SSL3 and TLS1 SSL protocols.
Defaults	No default behavior or values.	
Command Modes	SSL host peering service configuration	
Device Modes	application-accelerator central-manager	
Examples	The following example shows how to enter SSL host peering service configuration mode, and then set the protocol to SSL version 3: WAE(config)# crypto ssl services host-service peering WAE(config-ssl-peering)# version SSL3	
Related Commands	(config) crypto ssl	

■ (config-ssl-peering) version

SSL Management Service Configuration Mode Commands

SSL management services lets you configure SSL parameters used for secure communications between the Central Manager and the WAE devices. To configure secure socket layer (SSL) encryption management service parameters on a WAAS device, use the **crypto ssl management-service** global configuration command. To delete a parameter use the **no** form of the command.

crypto ssl management-service

no crypto ssl management-service

Syntax Description This command has no arguments or keywords.

Defaults No default behavior or values.

Command Modes global configuration

Device Modes application-accelerator
central-manager

Usage Guidelines Use the **crypto ssl management-service** command to configure management services. The **crypto ssl management-service** command initiates SSL management service configuration mode, as indicated by the following prompt:

```
WAE(config-ssl-mgmt)#
```

Within SSL management service configuration mode, you can use the SSL management service configuration commands. To return to global configuration mode, enter **exit** at the SSL management service configuration mode prompt.

Examples The following example shows how to enter SSL management service configuration mode:

```
WAE(config)# crypto ssl management-service
WAE(config-ssl-mgmt)# exit
WAE(config)#
```

Related Commands [\(config-ssl-mgmt\) cipher-list](#)
[\(config-ssl-mgmt\) peer-cert-verify](#)

(config-ssl-mgmt) version

(config-ssl-mgmt) cipher-list

To configure secure socket layer (SSL) encryption cipher lists on a WAAS device, use the **cipher-list** command. To delete a cipher list use the **no** form of the command.

cipher-list *cipher-list-name*

no cipher-list *cipher-list-name*

Syntax Description	<i>cipher-list-name</i>	The name of the cipher list you want to create or edit. The cipher list name may contain up to 64 characters.
Defaults	No default behavior or values.	
Command Modes	SSL management service configuration	
Device Modes	application-accelerator central-manager	
Usage Guidelines	A cipher list is customer list of cipher suites that you assign to an SSL connection. (See the SSL Cipher List Configuration Mode Commands chapter for more information.)	
Examples	<p>The following example shows how to enter SSL management service configuration mode, and then create or edit a cipher list called myciphers. If the cipher list is already established on the WAAS device, the cipher-list command edits it. If the cipher list does not exist, the cipher-list command creates it:</p> <pre>WAE(config)# crypto ssl services management-service WAE(config-ssl-mgmt)# cipher-list myciphers</pre>	
Related Commands	(config) crypto ssl	

(config-ssl-mgmt) peer-cert-verify

To enable verification of peer certificates, use the **peer-cert-verify** command.

peer-cert-verify [revocation-check none]

Syntax Description	revocation-check none	Specifies a revocation check null method that returns revocation success.
---------------------------	------------------------------	---

Defaults No default behavior or values.

Command Modes SSL management service configuration

Device Modes application-accelerator
central-manager

Usage Guidelines SSL peering service configuration parameters control secure communications established by the SSL accelerator between WAE devices while optimizing SSL connections.

If peer certificate verification is enabled, WAAS devices that use self-signed certificates will not be able to establish peering connections to each other and, thus, not be able to accelerate SSL traffic.

To disable OCSP certificate revocation checking, set the revocation check value to none.

Examples The following example shows how to enter SSL management service configuration mode, and then set the revocation check method to none:

```
WAE(config)# crypto ssl management-service
WAE(config-ssl-mgmt)# peer-cert-verify revocation-check none
```

Related Commands [\(config\) crypto ssl](#)

(config-ssl-mgmt) version

To specify the type of SSL protocol to use for management services, use the **version** command.

```
version {all | ssl3 | tls1}
```

Syntax Description	version {all ssl3 tls1}	Specifies SSL3 for the SSL version 3 protocol, TLS1 for the Transport Layer Security version 1 protocol, or All to use both SSL3 and TLS1 SSL protocols.
Defaults	No default behavior or values.	
Command Modes	SSL management service configuration	
Device Modes	application-accelerator central-manager	
Examples	The following example shows how to enter SSL management service configuration mode, and then set the protocol to SSL version 3: WAE(config)# crypto ssl management-service WAE(config-ssl-mgmt)# version SSL3	
Related Commands	(config) crypto ssl	

■ (config-ssl-mgmt) version



APPENDIX **A**

Acronyms and Abbreviations

[Table A-1](#) defines the acronyms and abbreviations that are used in this publication.

Table A-1 *List of Acronyms and Abbreviations*

Acronym	Expansion
AAA	authentication, authorization, and accounting
ACL	access control list
ACPI	Advanced Configuration and Power Interface
ADS	Active Directory Service
ARP	Address Resolution Protocol
BIOS	Basic Input Output System
BOOTP	Bootstrap Protocol
CBA	cipher block chaining
CDP	Cisco Discovery Protocol
CIFS	Common Internet File System
CLI	command-line interface
CUPS	Common UNIX Printing System
DES	Data Encryption Standard
DHCP	Dynamic Host Configuration Protocol
DNS	Domain Name System
DSCP	differentiated services code point
ECN	Explicit Congestion Notification
FTP	file transfer protocol
GMT	Greenwich Mean Time (now known as UTC)
GRE	generic routing encapsulation
GUI	graphical user interface
HMAC	Hash-Based Message Authentication Code
ICMP	Internet Control Message Protocol
IDE	Integrated Drive Electronics
IP	Internet Protocol

Table A-1 *List of Acronyms and Abbreviations (continued)*

Acronym	Expansion
KDC	key distribution center
LDAP	Lightweight Directory Access Protocol
MAC	Media Access Control
Mbps	megabits per second
MD5	Message Digest 5
MIB	Management Information Base
MSRPC	Microsoft Remote Procedure Call
MTU	maximum transmission unit
NAS	network access server/network attached storage
NetBIOS	Network Basic Input/Output System
NMS	Network Management system
NTP	Network Time Protocol
NTLM	NT LAN Manager
NVRAM	nonvolatile RAM
PAP	Password Authentication Protocol
PDC	primary domain controller
PID	product ID
POST	Power-on Self Test
RADIUS	Remote Access Dial-In User Service
RAID	Redundant Array of Independent Disks
RAM	random access memory
rcp	remote copy protocol
RMSS	receiver maximum segment size
ROM	read-only memory
SCSI	Small Computer Systems Interface
SHA	Secure Hash Algorithm
SMART	Self Monitoring, Analysis, and Reporting Technology
SMB	Server Message Block
SMSS	sender maximum segment size
SN	serial number
SNMP	Simple Network Management Protocol
SSH	Secure Shell Protocol
SYSFS	System File System
TAC	Technical Assistance Center
TACACS+	Terminal Access Controller Access Control System Plus
TCP/IP	Transmission Control Protocol/Internet Protocol

Table A-1 *List of Acronyms and Abbreviations (continued)*

Acronym	Expansion
TDB	Trivial DataBase
TFTP	Trivial File Transfer Protocol
ToS	type of service
UDI	unique device identifier
UDP	User Datagram Protocol
UPS	uninterruptible power supply
USB	Universal Serial Bus
UTC	Coordinated Universal Time
UUCP	Unix-to-Unix Copy Program
VID	version ID
WAE	Wide Area Application Engine
WAAS	Wide Area Application Services
WAFSFS	Wide Area File Services File System
WCCP	Web Cache Communication Protocol
WINS	Windows naming service



CLI COMMAND SUMMARY BY MODE

Configuration Mode Commands

- (config) aaa accounting [3-433](#)
- (config) aaa authorization commands [3-436](#)
- (config) accelerator cifs [3-437](#)
- (config) accelerator cifs preposition [3-439](#)
- (config) accelerator epm [3-441](#)
- (config) accelerator http [3-442](#)
- (config) accelerator mapi [3-444](#)
- (config) accelerator nfs [3-446](#)
- (config) accelerator ssl [3-447](#)
- (config) accelerator video [3-449](#)
- (config) accelerator windows-print [3-451](#)
- (config) alarm overload-detect [3-452](#)
- (config) asset [3-454](#)
- (config) authentication configuration [3-455](#)
- (config) authentication content-request [3-460](#)
- (config) authentication fail-over [3-464](#)
- (config) authentication login [3-466](#)
- (config) auto-discovery [3-473](#)
- (config) auto-register [3-474](#)
- (config) banner [3-476](#)
- (config) bypass [3-479](#)
- (config) cdp [3-481](#)
- (config) central-manager [3-482](#)
- (config) clock [3-484](#)
- (config) cms [3-488](#)
- (config) crypto pki [3-491](#)
- (config) crypto ssl [3-492](#)
- (config) device mode [3-494](#)
- (config) directed-mode [3-496](#)
- (config) disk disk-name [3-497](#)
- (config) disk encrypt [3-499](#)
- (config) disk error-handling [3-500](#)
- (config) disk logical shutdown [3-501](#)
- (config) disk object-cache extend [3-502](#)
- (config) egress-method [3-503](#)
- (config) end [3-505](#)
- (config) exec-timeout [3-506](#)
- (config) exit [3-507](#)
- (config) flow monitor [3-508](#)
- (config) help [3-509](#)
- (config) hostname [3-511](#)
- (config) inetd [3-513](#)
- (config) inline vlan-id-connection-check [3-514](#)
- (config) interception access-list [3-515](#)
- (config) interface GigabitEthernet [3-517](#)
- (config) interface InlineGroup [3-522](#)
- (config) interface PortChannel [3-525](#)
- (config) interface standby [3-527](#)
- (config) ip [3-528](#)
- (config) ip access-list [3-530](#)
- (config) kerberos [3-533](#)
- (config) kernel kdb [3-535](#)
- (config) kernel kdump [3-536](#)
- (config) line [3-537](#)
- (config) logging console [3-538](#)
- (config) logging disk [3-540](#)
- (config) logging facility [3-542](#)
- (config) logging host [3-544](#)
- (config) ntp [3-546](#)
- (config) peer [3-548](#)
- (config) policy-engine application classifier [3-549](#)
- (config) policy-engine application map adaptor EPM [3-551](#)
- (config) policy-engine application map adaptor WAFS transport [3-553](#)

(config) policy-engine application map basic [3-555](#)
 (config) policy-engine application map other optimize DRE [3-558](#)
 (config) policy-engine application map other optimize full [3-560](#)
 (config) policy-engine application map other pass-through [3-561](#)
 (config) policy-engine application name [3-562](#)
 (config) policy-engine application set-dscp [3-564](#)
 (config) policy-engine config [3-566](#)
 (config) port-channel [3-568](#)
 (config) primary-interface [3-569](#)
 (config) print-services [3-571](#)
 (config) radius-server [3-573](#)
 (config) smb-conf [3-575](#)
 (config) snmp-server access-list [3-579](#)
 (config) snmp-server community [3-580](#)
 (config) snmp-server contact [3-582](#)
 (config) snmp-server enable traps [3-583](#)
 (config) snmp-server group [3-586](#)
 (config) snmp-server host [3-588](#)
 (config) snmp-server location [3-590](#)
 (config) snmp-server mib [3-591](#)
 (config) snmp-server notify inform [3-593](#)
 (config) snmp-server trap-source [3-594](#)
 (config) snmp-server user [3-595](#)
 (config) snmp-server view [3-597](#)
 (config) sshd [3-598](#)
 (config) ssh-key-generate [3-601](#)
 (config) tacacs [3-602](#)
 (config) tcp [3-605](#)
 (config) telnet enable [3-607](#)
 (config) tfo exception [3-608](#)
 (config) tfo optimize [3-609](#)
 (config) tfo tcp adaptive-buffer-sizing [3-610](#)
 (config) tfo tcp keepalive [3-611](#)
 (config) tfo tcp optimized-mss [3-612](#)
 (config) tfo tcp optimized-receive-buffer [3-613](#)
 (config) tfo tcp optimized-send-buffer [3-614](#)
 (config) tfo tcp original-mss [3-615](#)

(config) tfo tcp original-receive-buffer [3-616](#)
 (config) tfo tcp original-send-buffer [3-617](#)
 (config) transaction-logs [3-618](#)
 (config) username [3-621](#)
 (config) virtual-blade [3-623](#)
 (config) wccp access-list [3-625](#)
 (config) wccp flow-redirect [3-628](#)
 (config) wccp router-list [3-629](#)
 (config) wccp shutdown [3-631](#)
 (config) wccp tcp-promiscuous mask [3-633](#)
 (config) wccp tcp-promiscuous router-list-num [3-634](#)
 (config) wccp version [3-636](#)
 (config) windows-domain [3-637](#)

EXEC Mode Commands

authentication strict-password-policy [3-471](#)
 cd [3-4](#)
 cifs [3-5](#)
 clear arp-cache [3-7](#)
 clear cache [3-8](#)
 clear cdp [3-10](#)
 clear ip [3-11](#)
 clear license [3-12](#)
 clear logging [3-13](#)
 clear statistics [3-14](#)
 clear statistics accelerator [3-16](#)
 clear statistics connection [3-17](#)
 clear transaction-log [3-19](#)
 clear users [3-20](#)
 clear windows-domain-log [3-22](#)
 clock [3-23](#)
 cms [3-24](#)
 cms secure-store [3-27](#)
 configure [3-30](#)
 copy cdrom [3-31](#)
 copy cdrom wow-recovery [3-32](#)
 copy compactflash [3-33](#)
 copy disk [3-34](#)

copy ftp [3-36](#)
 copy http [3-39](#)
 copy running-config [3-42](#)
 copy startup-config [3-44](#)
 copy sysreport [3-45](#)
 copy system-status [3-47](#)
 copy tech-support [3-48](#)
 copy tftp [3-50](#)
 cpfile [3-52](#)
 crypto delete [3-53](#)
 crypto export [3-54](#)
 crypto generate [3-56](#)
 crypto import [3-58](#)
 crypto pki [3-60](#)
 debug aaa accounting [3-61](#)
 debug accelerator [3-65](#)
 debug all [3-69](#)
 debug authentication [3-71](#)
 debug buf [3-73](#)
 debug cdp [3-75](#)
 debug cli [3-77](#)
 debug cms [3-79](#)
 debug dataserver [3-81](#)
 debug dhcp [3-83](#)
 debug dre [3-85](#)
 debug egress-method [3-87](#)
 debug emdb [3-89](#)
 debug epm [3-91](#)
 debug flow [3-93](#)
 debug generic-gre [3-95](#)
 debug key-manager [3-97](#)
 debug logging [3-99](#)
 debug ntp [3-101](#)
 debug print-spooler [3-103](#)
 debug rbcop [3-105](#)
 debug rpc [3-107](#)
 debug snmp [3-109](#)
 debug stats [3-111](#)
 debug tfo [3-113](#)
 debug translog [3-115](#)
 debug wafs [3-117](#)
 debug wccp [3-119](#)
 delfile [3-121](#)
 deltree [3-122](#)
 dir [3-123](#)
 disable [3-125](#)
 disk [3-126](#)
 dnslookup [3-129](#)
 enable [3-130](#)
 exit [3-131](#)
 find-pattern [3-132](#)
 help [3-134](#)
 install [3-135](#)
 less [3-137](#)
 license add [3-138](#)
 lls [3-139](#)
 ls [3-141](#)
 mkdir [3-143](#)
 mkfile [3-144](#)
 ntpdate [3-145](#)
 ping [3-146](#)
 pwd [3-147](#)
 reload [3-148](#)
 rename [3-149](#)
 restore [3-150](#)
 rmdir [3-154](#)
 scp [3-155](#)
 script [3-157](#)
 setup [3-158](#)
 show aaa accounting [3-159](#)
 show aaa authorization [3-161](#)
 show accelerator [3-162](#)
 show alarms [3-164](#)
 show arp [3-167](#)
 show authentication [3-168](#)
 show auto-discovery [3-170](#)
 show auto-register [3-171](#)
 show banner [3-172](#)

show bypass [3-173](#)
 show cache http-metadatabacache [3-174](#)
 show cdp [3-176](#)
 show cifs [3-182](#)
 show clock [3-184](#)
 show cms [3-186](#)
 show cms secure-store [3-189](#)
 show crypto [3-190](#)
 show debugging [3-192](#)
 show device-id [3-193](#)
 show device-mode [3-194](#)
 show directed-mode [3-196](#)
 show disks [3-197](#)
 show egress-methods [3-204](#)
 show filtering list [3-205](#)
 show flash [3-207](#)
 show hardware [3-208](#)
 show hosts [3-211](#)
 show inetd [3-212](#)
 show interface [3-213](#)
 show inventory [3-218](#)
 show ip access-list [3-219](#)
 show ip routes [3-221](#)
 show kdump [3-222](#)
 show kerberos [3-223](#)
 show key-manager [3-224](#)
 show license [3-225](#)
 show logging [3-226](#)
 show memory [3-227](#)
 show ntp [3-228](#)
 show peer optimization [3-230](#)
 show policy-engine application [3-231](#)
 show policy-engine status [3-235](#)
 show print-services [3-237](#)
 show processes [3-239](#)
 show radius-server [3-241](#)
 show running-config [3-243](#)
 show services [3-245](#)
 show smb-conf [3-246](#)
 show snmp [3-248](#)
 show ssh [3-254](#)
 show startup-config [3-255](#)
 show statistics accelerator [3-257](#)
 show statistics aaim [3-287](#)
 show statistics application [3-291](#)
 show statistics authentication [3-294](#)
 show statistics auto-discovery [3-295](#)
 show statistics cifs [3-298](#)
 show statistics connection [3-300](#)
 show statistics connection auto-discovery [3-304](#)
 show statistics connection closed [3-306](#)
 show statistics connection conn-id [3-309](#)
 show statistics connection egress-methods [3-312](#)
 show statistics connection optimized [3-316](#)
 show statistics connection pass-through [3-319](#)
 show statistics crypto ssl ciphers [3-321](#)
 show statistics datamover [3-322](#)
 show statistics directed-mode [3-324](#)
 show statistics dre [3-325](#)
 show statistics filtering [3-328](#)
 show statistics flow [3-331](#)
 show statistics generic-gre [3-334](#)
 show statistics icmp [3-335](#)
 show statistics ip [3-337](#)
 show statistics netstat [3-340](#)
 show statistics pass-through [3-341](#)
 show statistics peer [3-343](#)
 show statistics radius [3-346](#)
 show statistics services [3-348](#)
 show statistics snmp [3-349](#)
 show statistics synq [3-351](#)
 show statistics tacacs [3-352](#)
 show statistics tcp [3-354](#)
 show statistics tfo [3-358](#)
 show statistics udp [3-362](#)
 show statistics wccp [3-363](#)
 show statistics windows-domain [3-367](#)
 show statistics windows-print requests [3-369](#)

show synq list [3-371](#)
 show sysfs volumes [3-372](#)
 show tacacs [3-373](#)
 show tcp [3-375](#)
 show tech-support [3-377](#)
 show telnet [3-380](#)
 show tfo tcp [3-381](#)
 show transaction-logging [3-382](#)
 show user [3-384](#)
 show users administrative [3-385](#)
 show version [3-387](#)
 show virtual-blade [3-388](#)
 show wccp [3-391](#)
 show windows-domain [3-397](#)
 shutdown [3-399](#)
 snmp trigger [3-402](#)
 ssh [3-406](#)
 tcpdump [3-407](#)
 telnet [3-409](#)
 terminal [3-410](#)
 test [3-411](#)
 tethereal [3-414](#)
 top [3-416](#)
 traceroute [3-418](#)
 transaction-log [3-419](#)
 type [3-420](#)
 type-tail [3-421](#)
 virtual-blade [3-423](#)
 wafs [3-425](#)
 whoami [3-427](#)
 windows-domain [3-428](#)
 write [3-431](#)

Extended ACL Configuration Mode Commands

(config-ext-nacl) delete [3-676](#)
 (config-ext-nacl) deny [3-677](#)
 (config-ext-nacl) exit [3-682](#)

(config-ext-nacl) list [3-683](#)
 (config-ext-nacl) move [3-684](#)
 (config-ext-nacl) permit [3-685](#)

Interface Configuration Mode Commands

(config-if) autosense [3-641](#)
 (config-if) bandwidth [3-642](#)
 (config-if) cdp [3-644](#)
 (config-if) encapsulation dot1Q [3-646](#)
 (config-if) exit [3-647](#)
 (config-if) failover timeout [3-648](#)
 (config-if) full-duplex [3-649](#)
 (config-if) half-duplex [3-651](#)
 (config-if) inline [3-653](#)
 (config-if) ip [3-655](#)
 (config-if) ip access-group [3-657](#)
 (config-if) mtu [3-658](#)
 (config-if) shutdown [3-659](#)
 (config-if) standby [3-660](#)

PKI Certificate Authority Configuration Mode Commands

(config-ca) ca-certificate [3-727](#)
 (config-ca) description [3-728](#)
 (config-ca) revocation-check [3-729](#)

PKI Global Settings Configuration Mode Commands

(config-pki-global-settings) oosp [3-732](#)
 (config-pki-global-settings) revocation-check [3-733](#)

Preposition Configuration Mode Commands

(config-preposition) credentials [3-693](#)

(config-preposition) dscp [3-694](#)
 (config-preposition) duration [3-695](#)
 (config-preposition) enable [3-696](#)
 (config-preposition) ignore-hidden-dir [3-697](#)
 (config-preposition) max-cache [3-698](#)
 (config-preposition) max-file-size [3-699](#)
 (config-preposition) min-file-size [3-700](#)
 (config-preposition) name [3-701](#)
 (config-preposition) recursive [3-703](#)
 (config-preposition) root [3-704](#)
 (config-preposition) scan-type [3-702, 3-705](#)
 (config-preposition) schedule [3-706](#)
 (config-preposition) server [3-708](#)

(config-ssl-global) machine-cert-key [3-756](#)
 (config-ssl-global) version [3-757](#)

SSL Accelerated Service Configuration Mode Commands

(config-ssl-accelerated) cipher-list [3-737](#)
 (config-ssl-accelerated) client-cert-verify [3-738](#)
 (config-ssl-accelerated) client-version-rollback-check [3-739](#)
 (config-ssl-accelerated) description [3-740](#)
 (config-ssl-accelerated) inservice [3-741](#)
 (config-ssl-accelerated) server-cert-key [3-742](#)
 (config-ssl-accelerated) server-cert-verify [3-743](#)
 (config-ssl-accelerated) server-domain [3-744](#)
 (config-ssl-accelerated) server-ip [3-745](#)
 (config-ssl-accelerated) server-name [3-746](#)
 (config-ssl-accelerated) version [3-747](#)

SSL Cipher List Configuration Mode Commands

(config-cipher-list) cipher [3-750](#)

SSL Global Service Configuration Mode Commands

(config-ssl-global) cipher-list [3-755](#)

SSL Host Peering Service Configuration Mode Commands

(config-ssl-peering) cipher-list [3-761](#)
 (config-ssl-peering) peer-cert-verify [3-762](#)
 (config-ssl-peering) version [3-763](#)

SSL Management Service Configuration Mode Commands

(config-ssl-mgmt) cipher-list [3-767](#)
 (config-ssl-mgmt) peer-cert-verify [3-768](#)
 (config-ssl-mgmt) version [3-769](#)

Standard ACL Configuration Mode Commands

(config-std-nacl) delete [3-665](#)
 (config-std-nacl) deny [3-666](#)
 (config-std-nacl) exit [3-668](#)
 (config-std-nacl) list [3-669](#)
 (config-std-nacl) move [3-670](#)
 (config-std-nacl) permit [3-671](#)

Virtual Blade Configuration Mode Commands

(config-vb) autostart [3-711](#)
 (config-vb) boot [3-712](#)
 (config-vb) cpu-list [3-714](#)
 (config-vb) description [3-716, 3-717](#)
 (config-vb) disk [3-720](#)
 (config-vb) interface [3-722](#)
 (config-vb) memory [3-723](#)
 (config-vb) vnc [3-724](#)