

Installing the 14-Seat 2nd Row Table

Revised: April 18, 2016

Required Parts

5x Table legs (1x far left leg 800-44198-xx, 1x far right leg 800-44197-xx, 3x inside legs 800-44200-xx)

21x M8x16MM screws 69-2802-xx

4x each Back row cable management assembly (2x 800-42717-xx right, 2x 800-42715-xx left)

2x switches WS-C2960C-8PC-L

4x switch bracket 700-44758-xx

2x TDMs 800-40951-xx

2x Power distribution units (PDUs) 74-8655-xx

12x M6 nuts 49-100235-xx

4x #10-32 pan head screws 69-2818-xx

5x Metal trim pieces (700-103477-xx far left, 700-103476-xx far right, 700-45431-xx center, 2x 700-45430-xx mid-left and mid-right)

Ethernet/Power modules:

- o 8x Power/Ethernet connectivity modules (part varies by country)
- o 5x Power/Ethernet connectivity cover 700-47772-xx
- o 2x Power/Ethernet connectivity blanking plates 700-45421-xx
- o 20x #4-40 nuts for power/Ethernet connectivity brackets

50x M4x12mm screws 69-2801-xx

30x M4 countersunk screw 69-2817-xx

1x downspout kit (includes short round piece 700-46612-xx, long flat piece 700-46613-xx, 3x M4x10 screws 69-2817-xx, and 3x M6x10mm screws 69-2803-xx)

4x Mute button assembly 74-12200-xx

8x M6x10mm screws 69-2803-xx

1x Microphone bars 74-12199-xx*

3x Turnaround microphone bars 74-12552-xx*

* The packaging includes the mic bar and the center cap. Do **not** throw the small round caps away.

Required Parts Cont'd

Tabletops (700-45242-xx far right, 700-45239-xx far left, 700-45241-xx mid-right, 700-45240-xx mid-left)

12x Biscuit joiner, 700-23909-xx

6x Half moon bolt, M6X80MM, 51-6068-xx

6x Joint plate, 700-23345-xx

102x M8x16mm screws, black 69-2802-xx

Mute button covers (2x 700-45426-xx, 2x 700-45427-xx)

24x M4x10mm black screws 69-2817-xx

14x leg PET panels (2x outside panels 700-43424-xx, 4x right inside panels 700-43426-xx, 4x left inside panels 700-43427-xx)

6x front panel covers (2x 700-43502-xx, 2x 700-43005-xx)

Velcro cable straps 52-0449-xx as needed

Required Tools

- o #4 and #2 Philips screwdrivers
- o 7mm & 10mm socket
- o 7mm Allen driver or wrench
- o 10mm ratcheting wrench or socket
- o Laser level

Required Cables

cabling kit, includes the following subkits:

69-2670-xx, includes 2x Ethernet cables 37-1558-xx and 37-1534-xx, [EX2](#) and [EX3](#)

69-2672-xx, includes 13x Ethernet cables 37-1558-xx [C7-C18](#), [CX2](#)

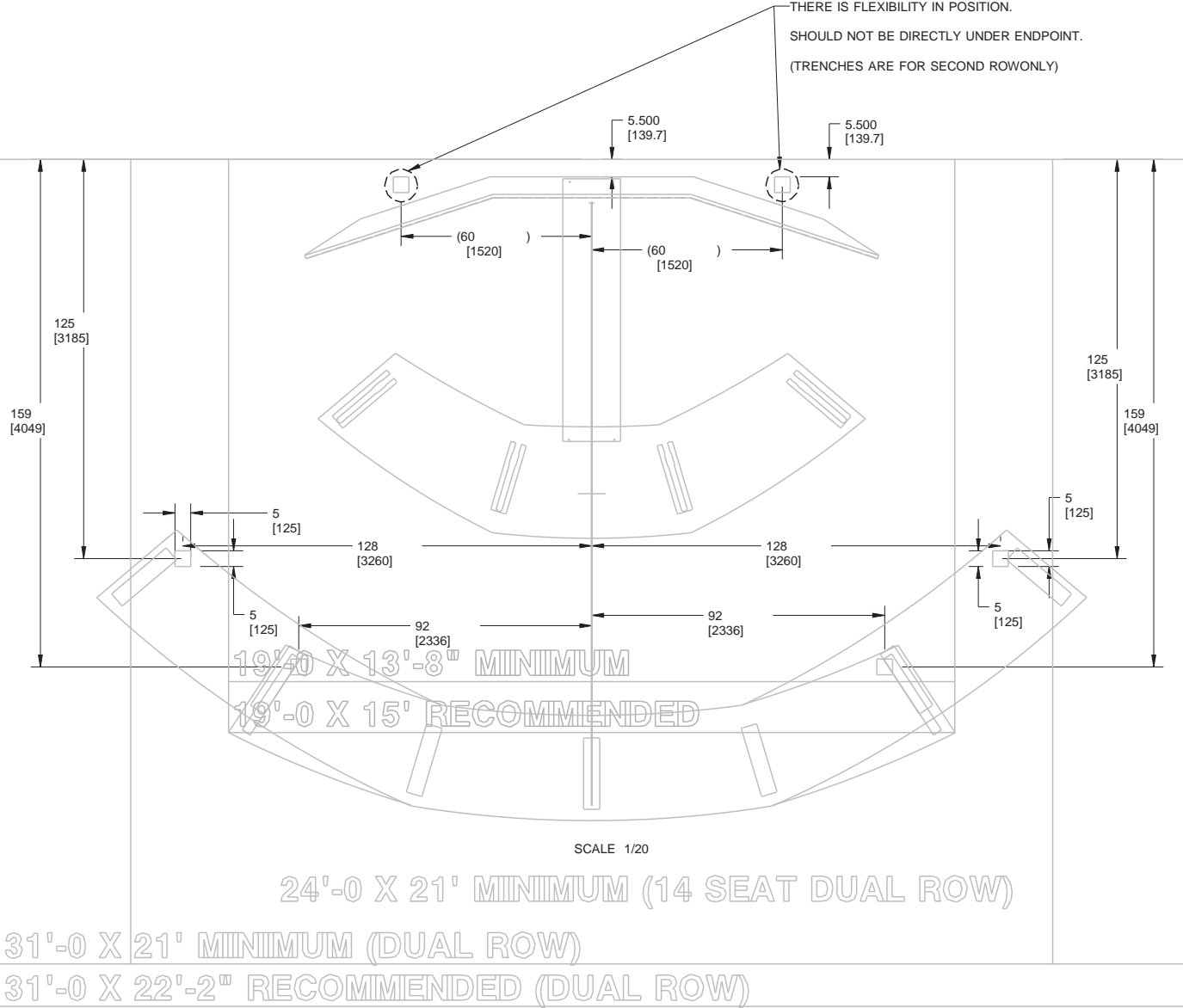
69-2675-xx (mic bar and mute button), includes:

o 2x DisplayPort-to-DisplayPort cables, 12 meter, 37-1541-xx

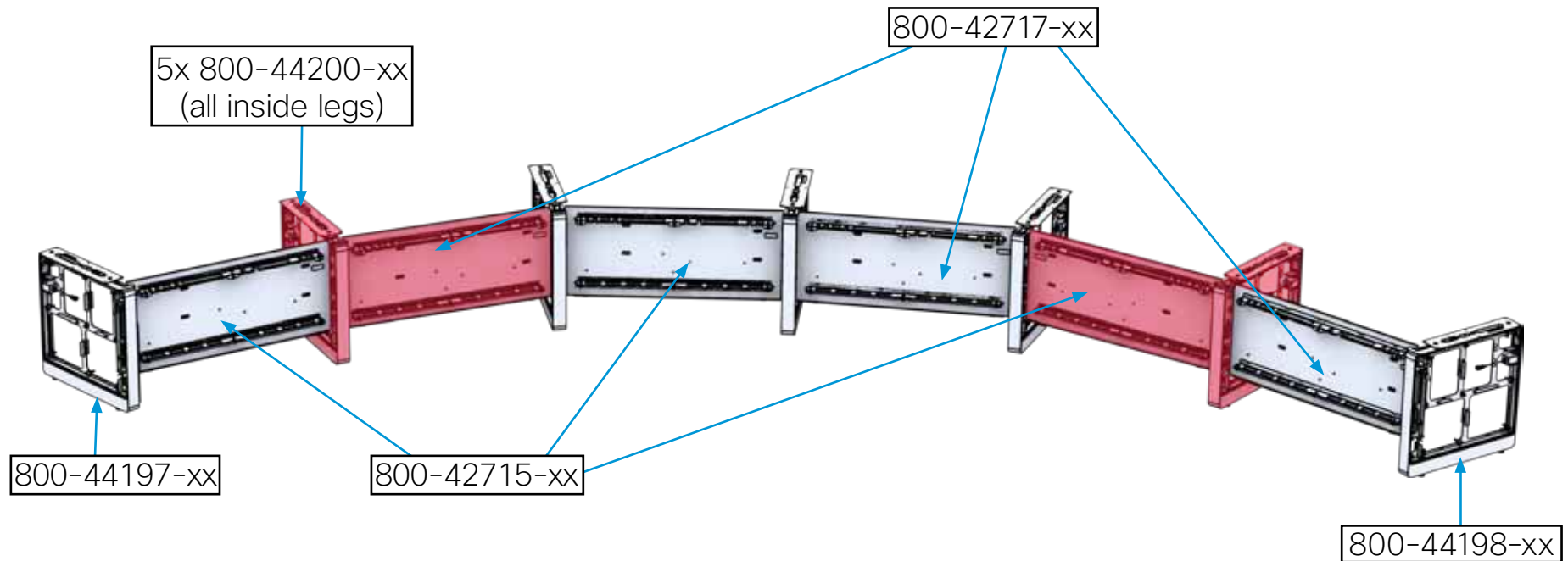
o 12x Mini-DisplayPort-to-Mini-DisplayPort cables, 2.6 meters, 37-1542-xx

69-2677-xx, includes 3x Jumper Cord, 2 meter, 37-0994-xx

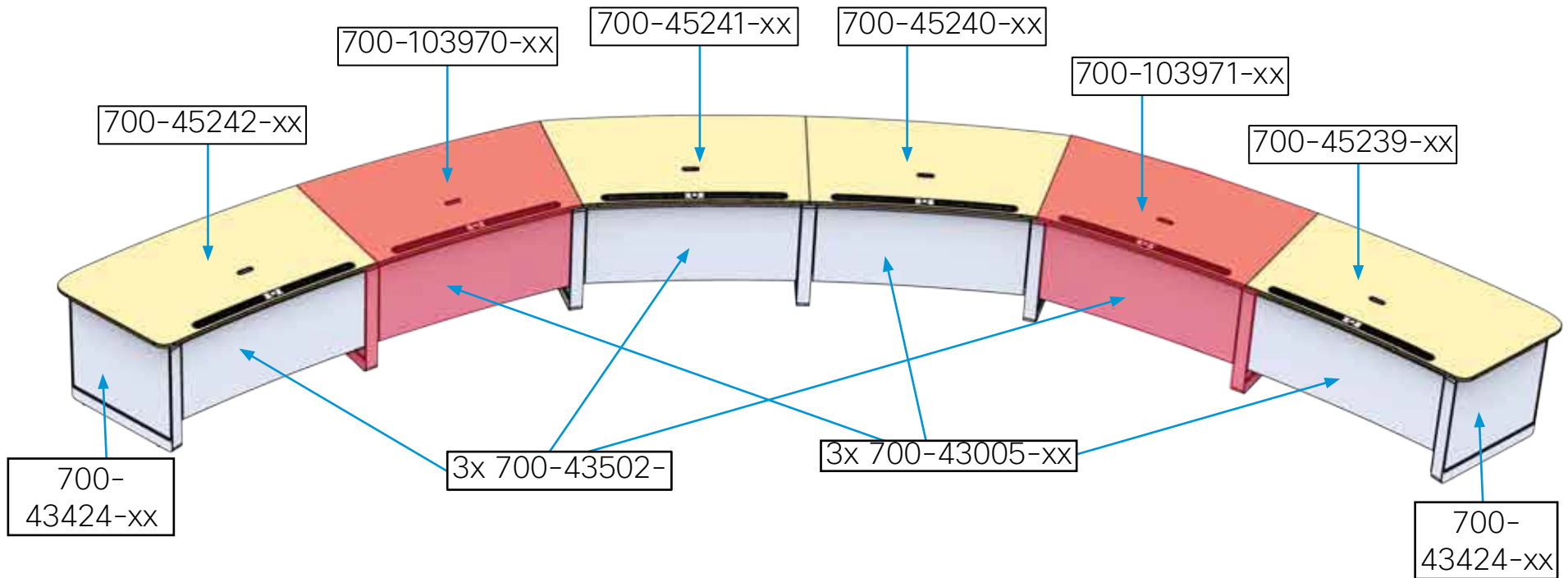
Pre-installation requirement: Plan for trenching for cables in the room using the following diagram.



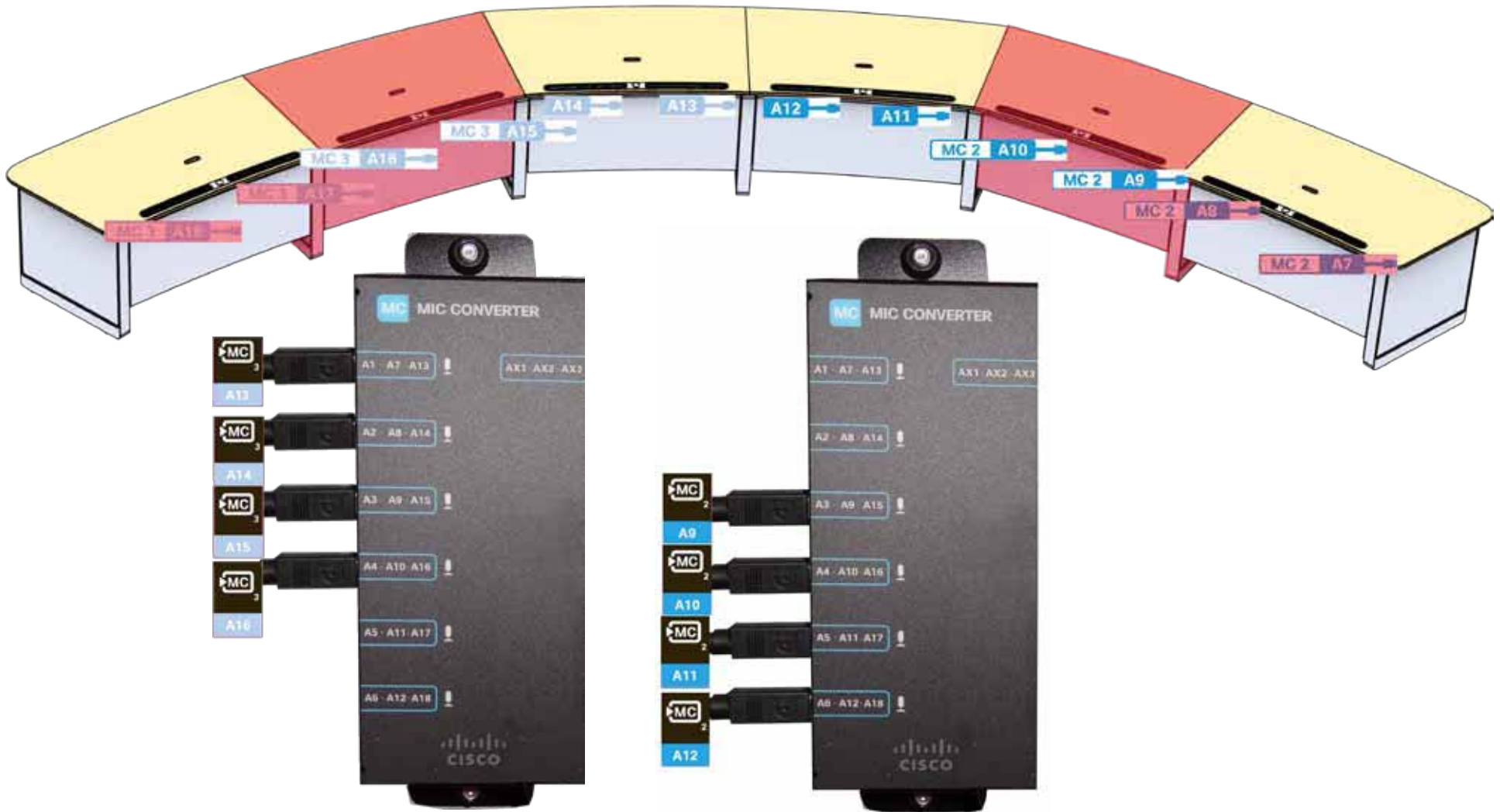
1a Note the table leg and cable management panel differences between an 18-seat and 14-seat system. Items in red are omitted.



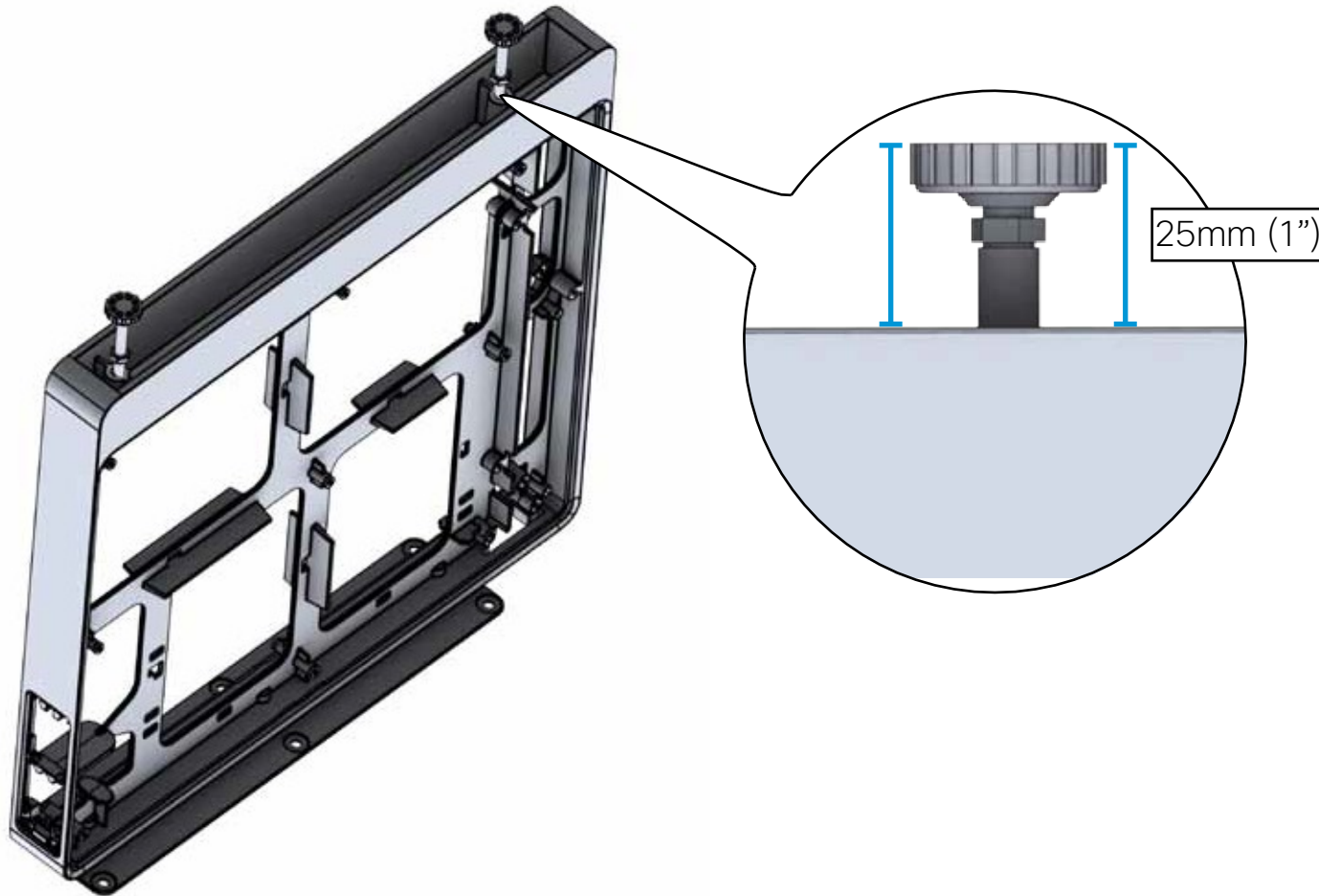
1b Note the tabletop, PET panel, and front panel cover differences between an 18-seat and 14-seat system. Items in red are omitted.



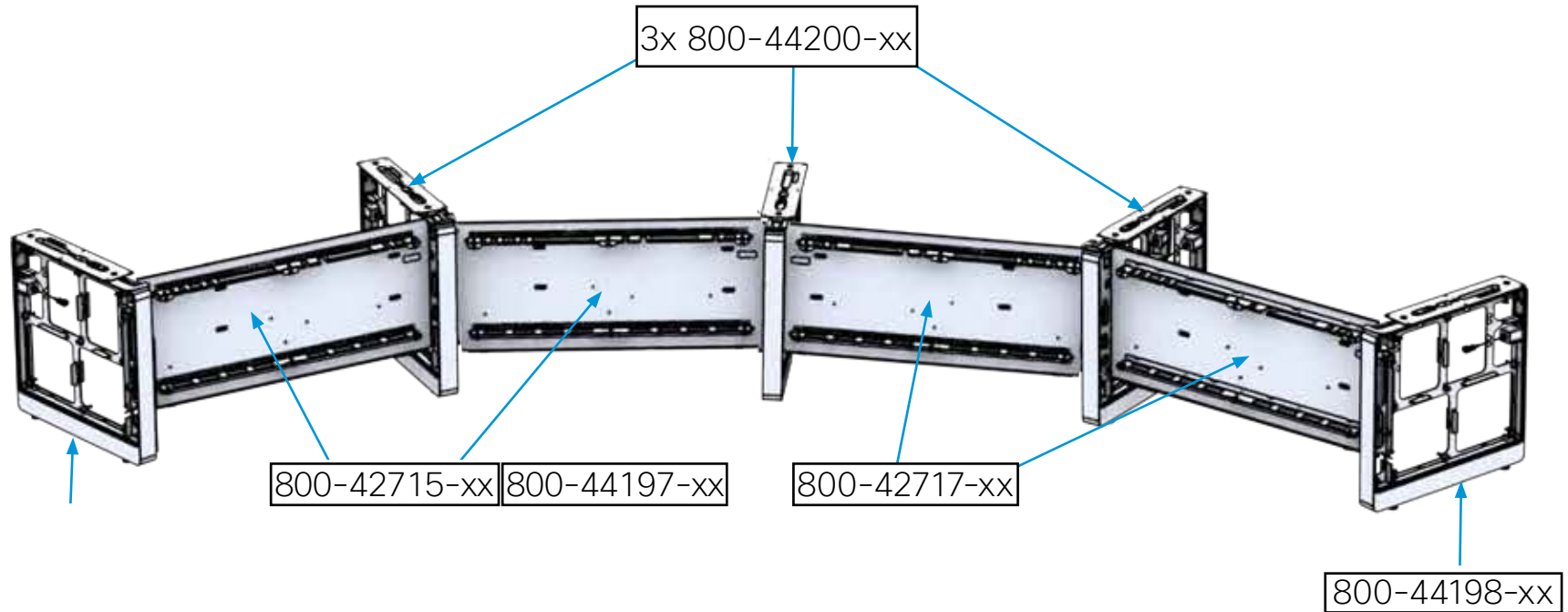
1c Note the microphone connection differences. The A7, A8, A17, and A18 microphone bar cables are omitted.



- 1 Turn the 5x table legs (1x far left 800-44198-xx, 1x far right 800-44197-xx, 3X inside 800-44200-xx) upside down. Adjust the levelers until there is 1 inch (25mm) between the bottom of the leg and the base of the foot.

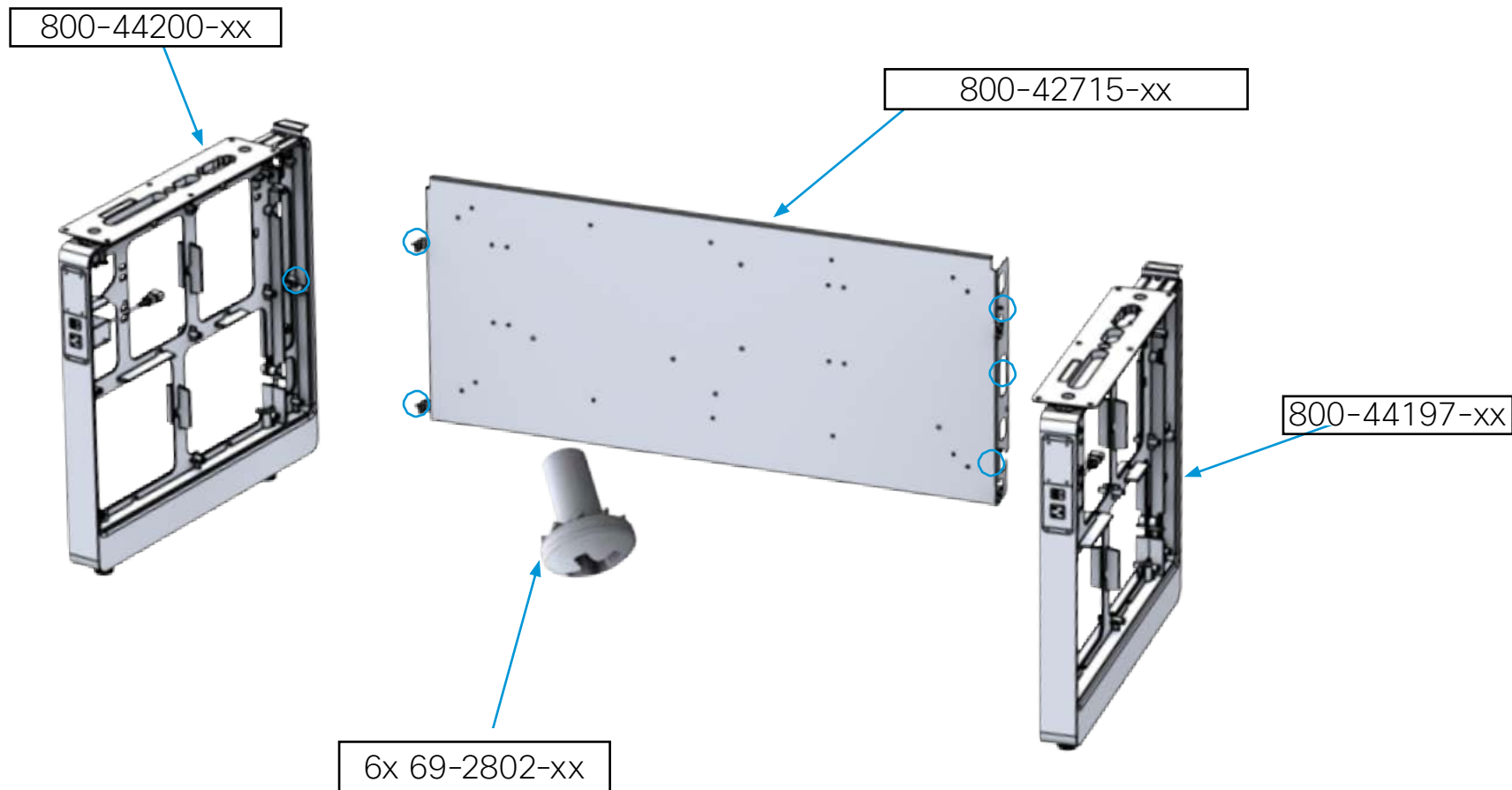


2 Make a note of the table legs and assemblies used for the cable management panels that go between the legs, and be sure to assemble these panels in the correct order. **NOTE:** This is shown from the front. Left and right are reversed.

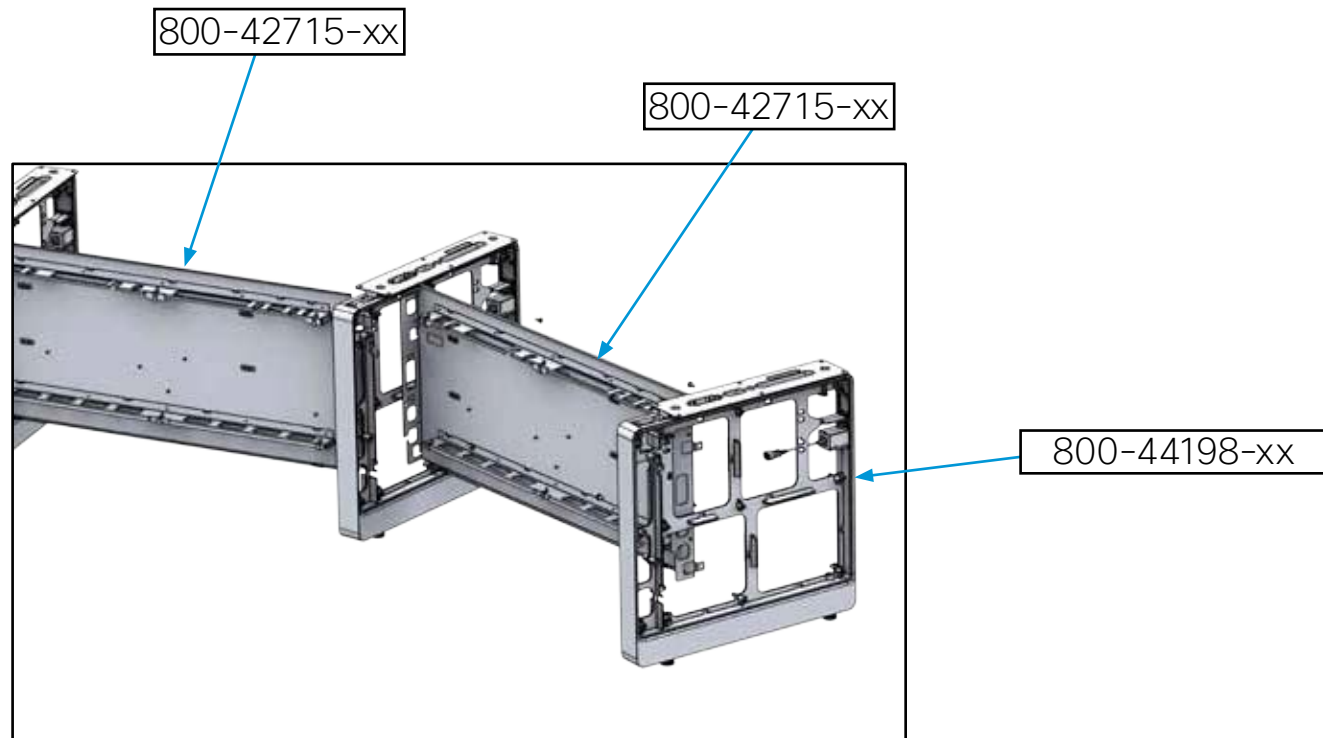


Installing the 14-Seat 2nd Row Table

- 3 Connect the far-right cable management assembly 800-42715-xx to the far-right table leg 800-44197-xx and the second-from right table leg 800-44200-xx by inserting 6x M8x16mm screws 69-2802-xx into each leg.

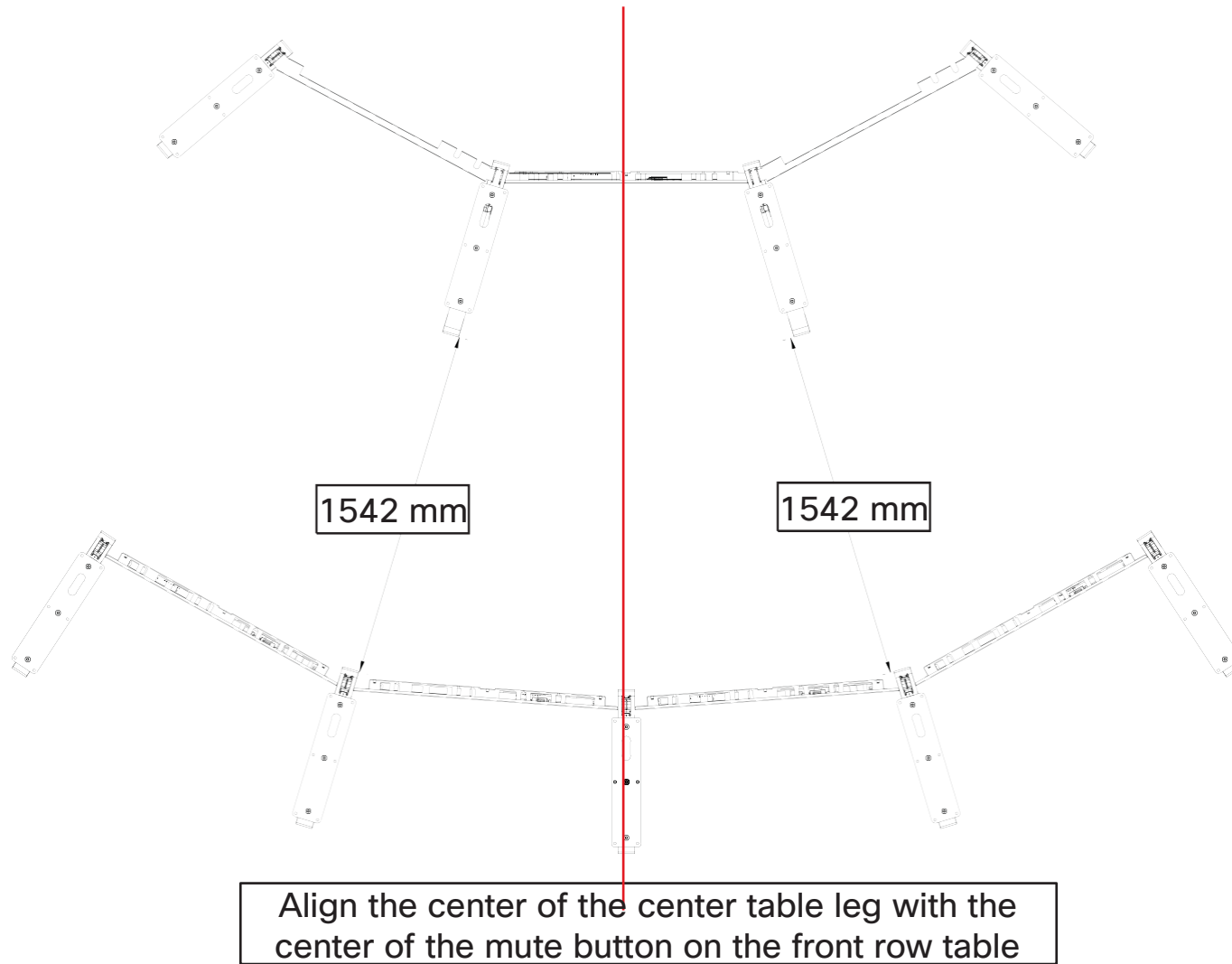


- 4 Continue to build the table from the right to the left, alternating cable management assemblies and using the same attachment procedures. Save the far-left table leg 800-44198-xx until the very last step. Keep the structure centered behind the first row table, and use the measurements in the next slide to position the distance accurately.
-

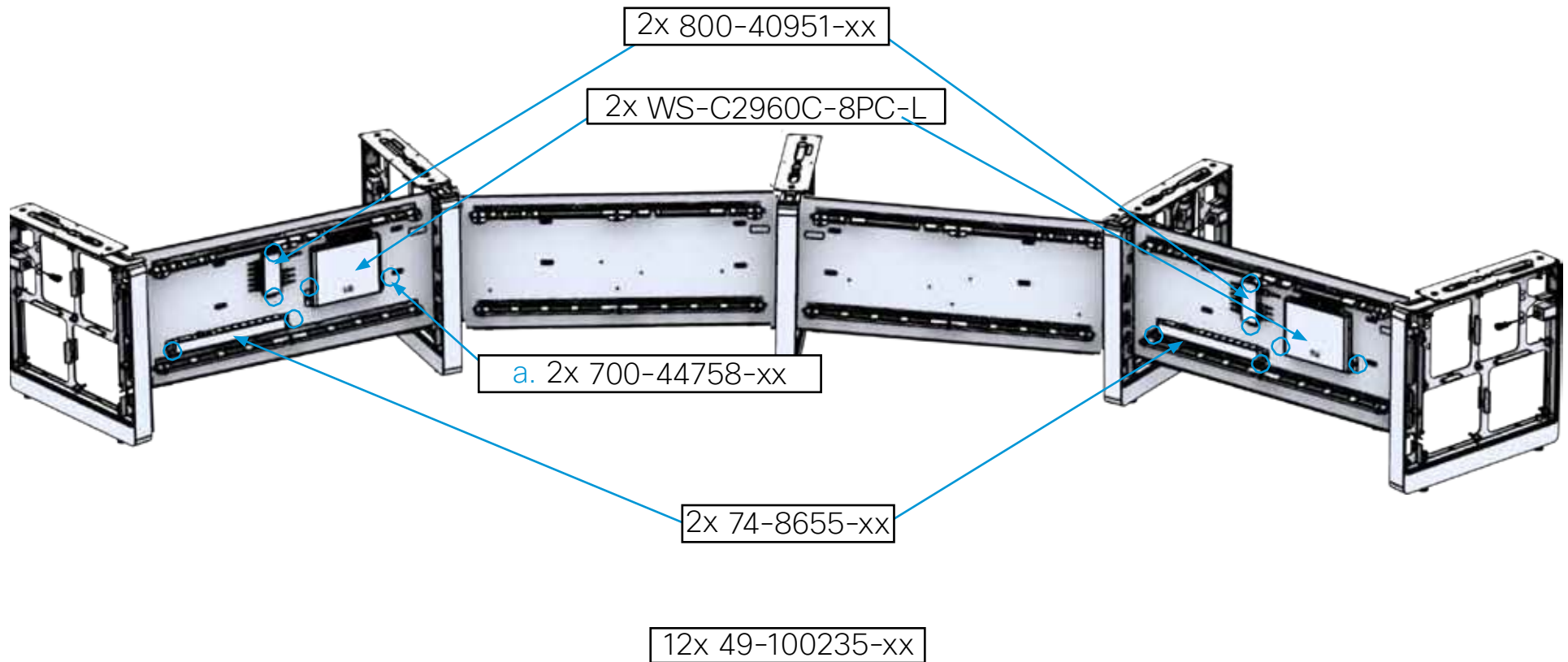


Installing the 14-Seat 2nd Row Table

- 5** Measure the distance between the 1st and 2nd row table legs and center the system relative to the front row.

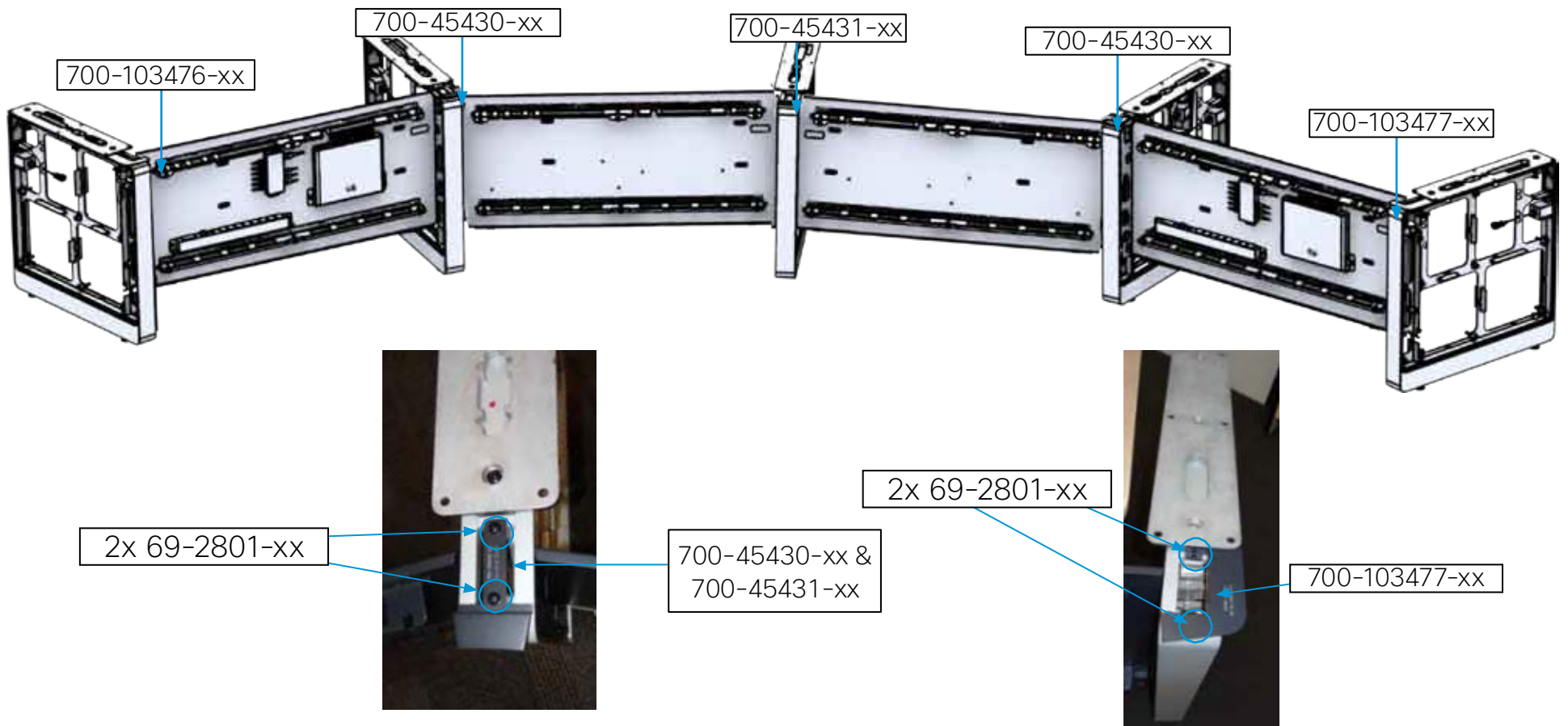


- 6** a. Connect the 2x switch brackets 700-44758-xx to the switch with 2x 10-32 screws 69-2818-xx.
b. Install the 2x switches WS-C2960C-8PC-L, 2x TDMs 800-40951-xx, and 2x PDUs 74-8655-xx using 12x M6 nuts 49-100235-xx.

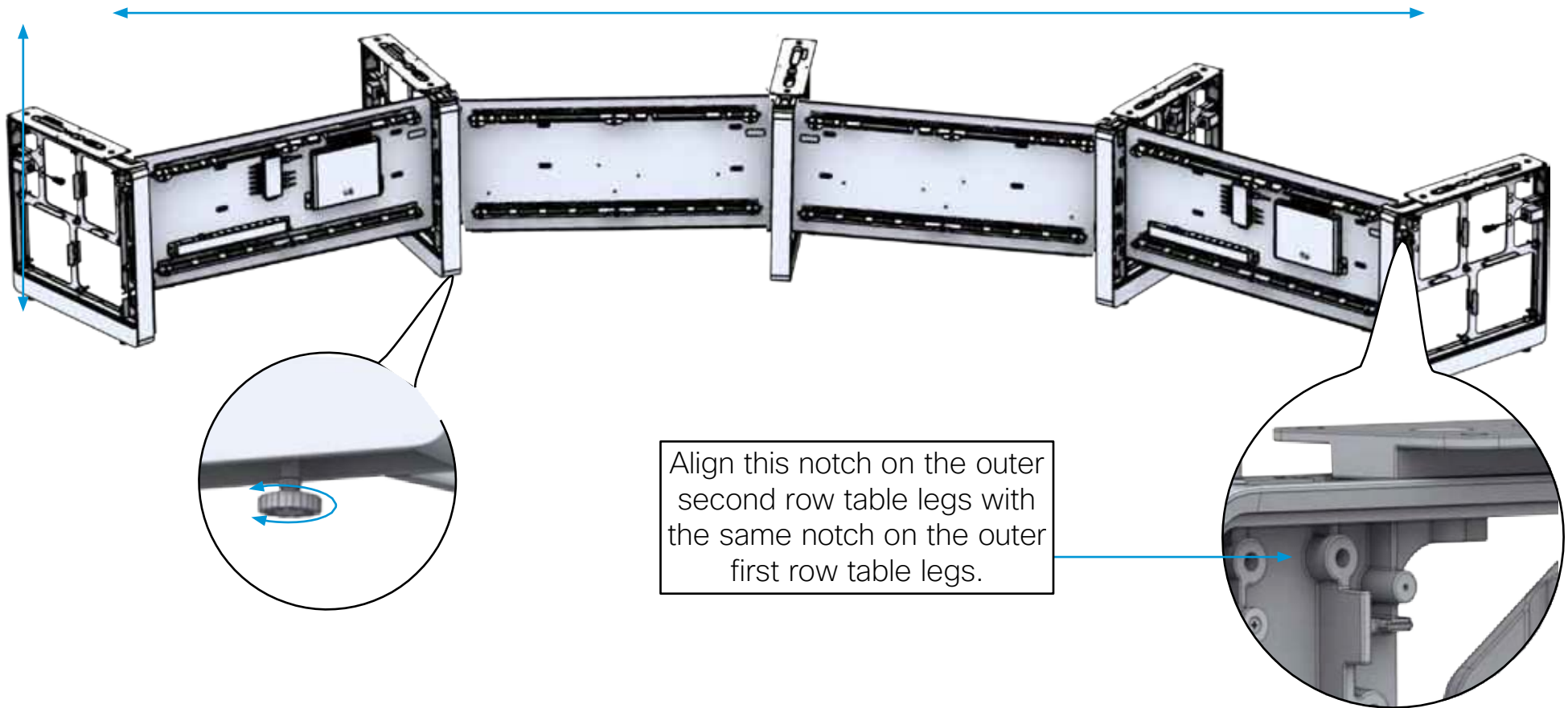


Installing the 14-Seat 2nd Row Table

7 Install the 5x metal trim pieces onto the outside table legs (5x Metal trim pieces (700-103477-xx far left, 700-103476-xx far right, 700-45431-xx center, 2x 700-45430-xx mid-left and mid-right) using 14x M4x12mm 69-2801-xx screws. NOTE: This drawing is shown from the front - left and right are reversed.

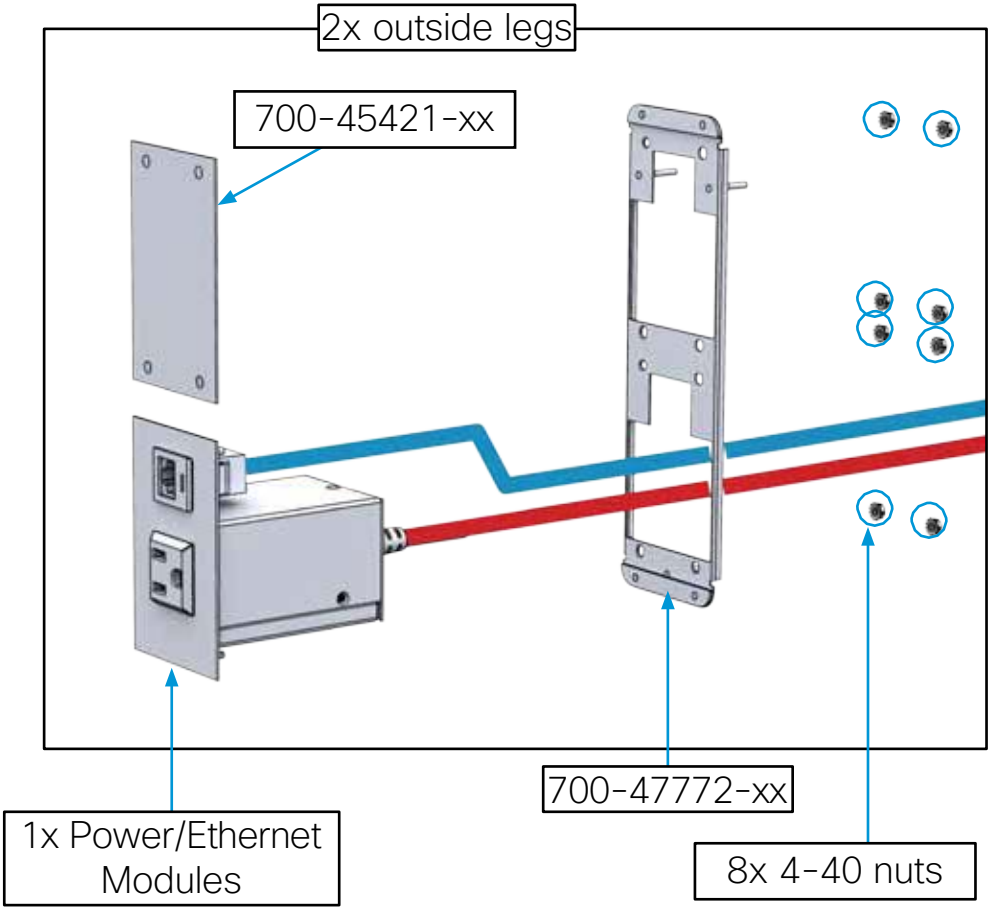
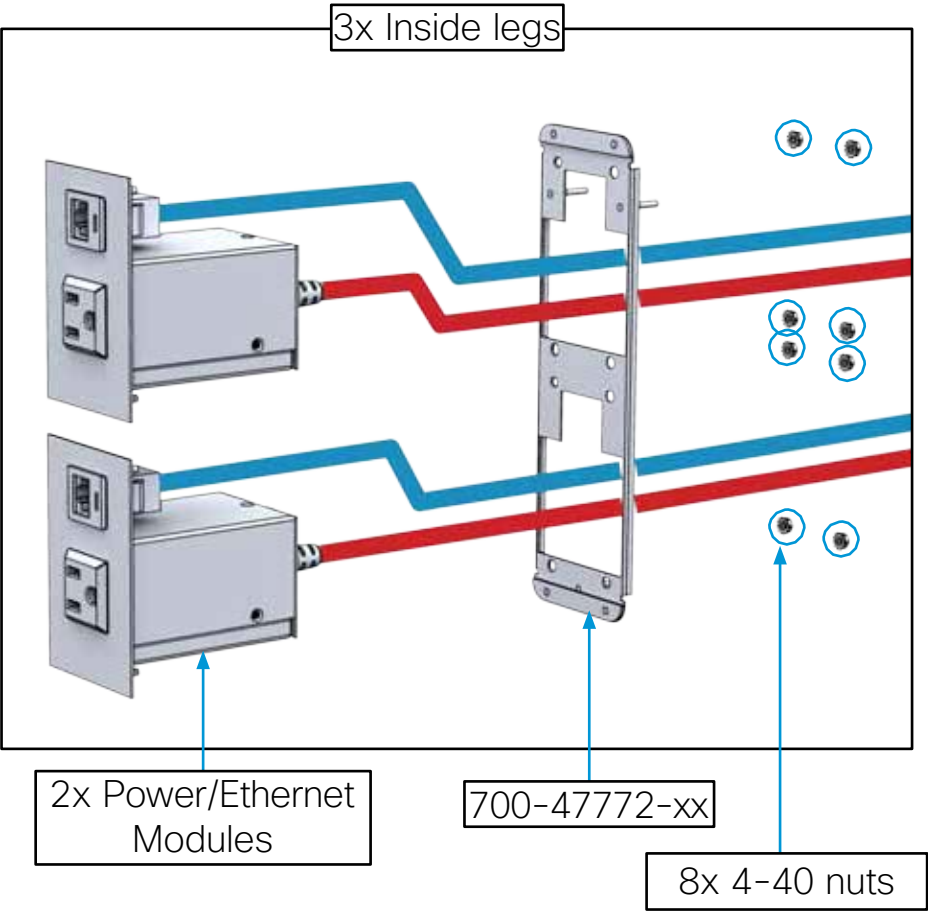


8 Check the level in the vertical and horizontal axis using a laser level. Use the leveling feet to raise or lower the legs. Check the height of the second row relative to the first row by removing the outer panels on the first row table legs and aligning the horizontal notches on the outer first and second row table legs.

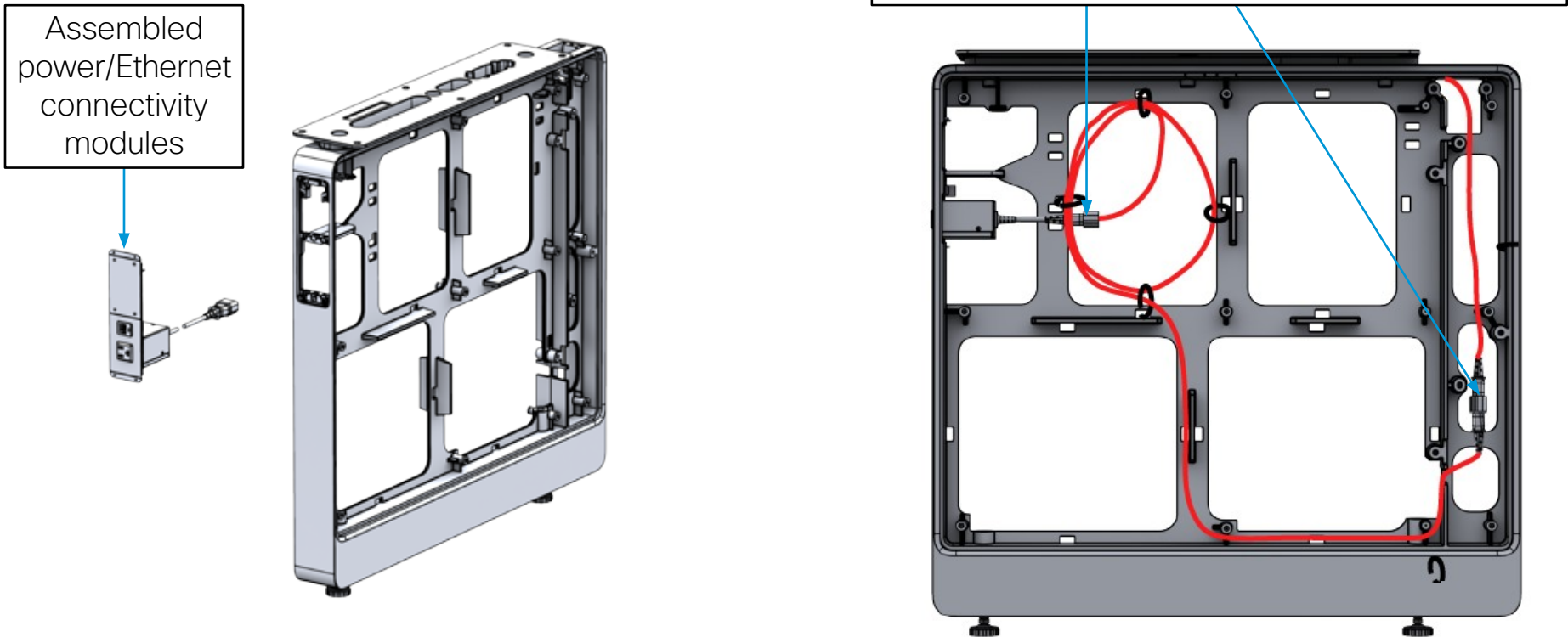


Installing the 14-Seat 2nd Row Table

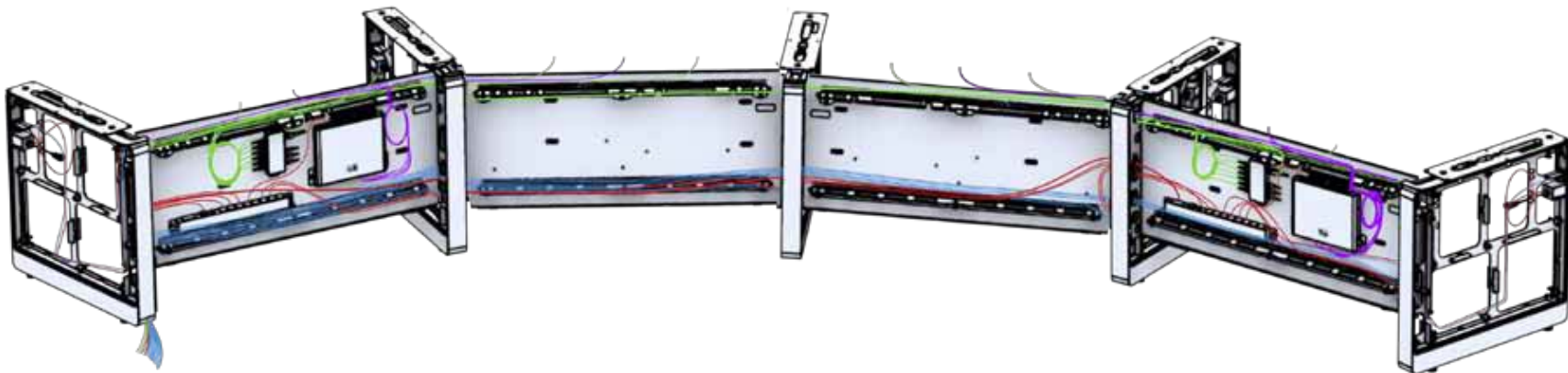
9 Assemble the power outlets to the outlet covers. **a.** Take the 8x Power/Ethernet connectivity modules (part number varies by country) and assemble them to the 5x Power/Ethernet connectivity cover 700-47772-xx using the 4-40 nuts included with the power/Ethernet module. **b.** Use 2x blanking plates 700-45421-xx for the two outside legs as shown.



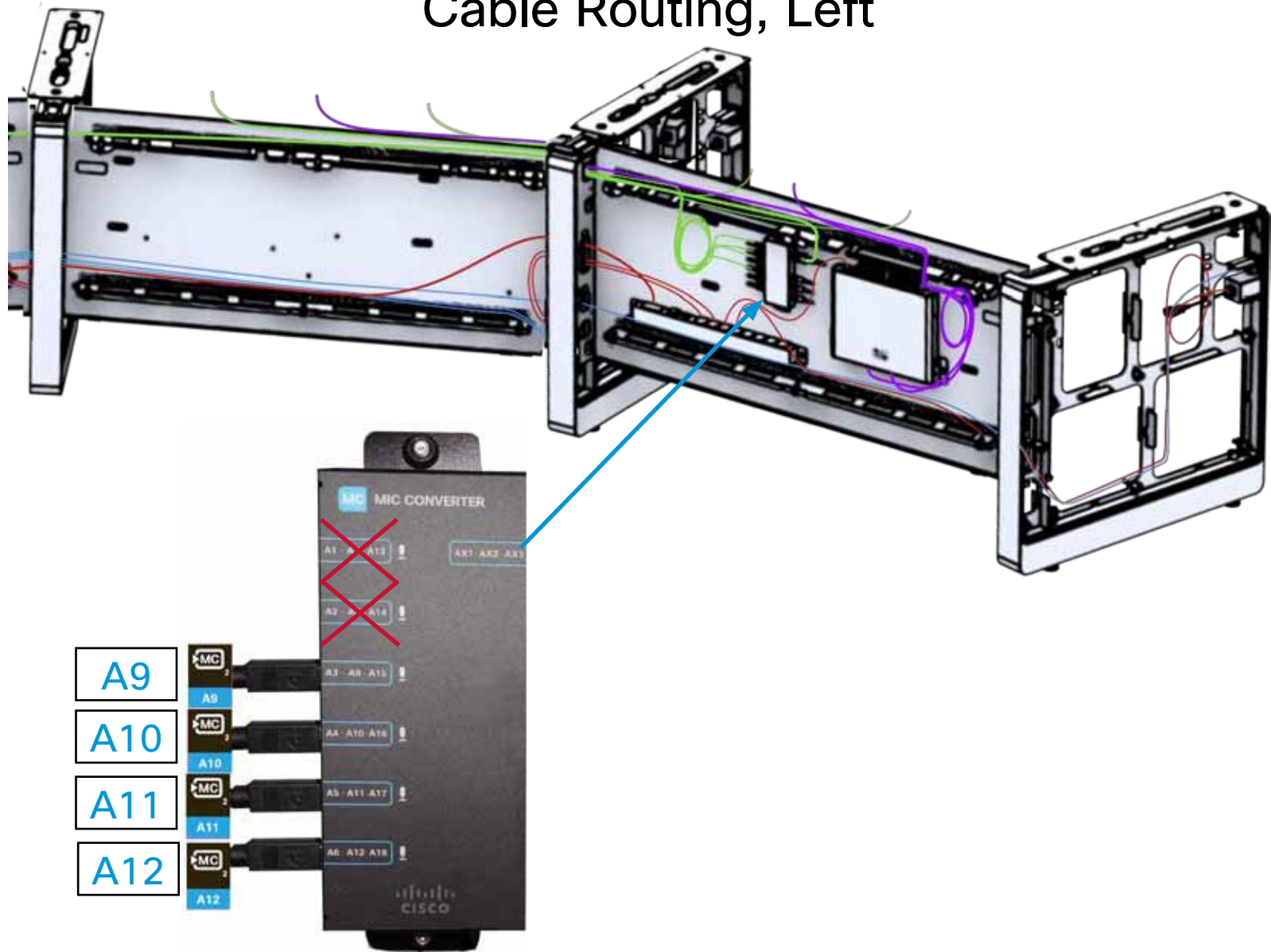
10 Install the 5x power/Ethernet connectivity modules to the table legs. Install 3x #4-40 nuts to the studs and tighten the nuts. Insert the modules with one outlet and one blanking plate into the two outside table legs. **Add one additional jumper cable to each table leg (to facilitate any replacement procedures).**



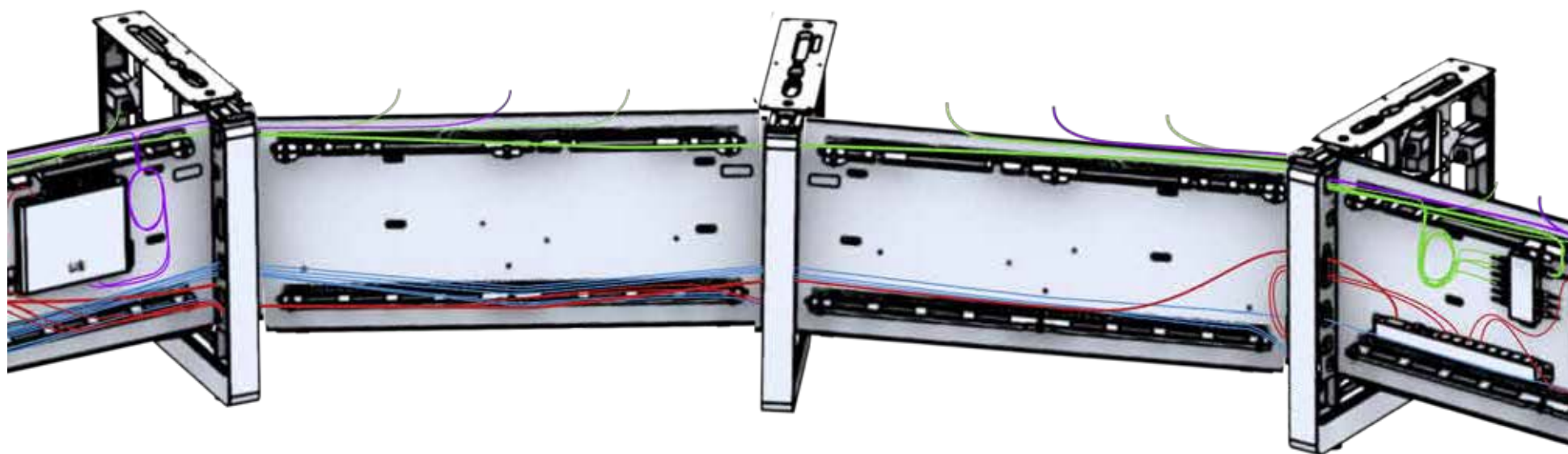
- 1 1 Perform all cabling for the second row, including the following:
- Mute button cables
 - Mini-DisplayPort cables for the mic bars. **Note:** Use the correctly numbered cables for the mic bars and match the cable numbering to the numbering on the TDMs. Use the cabling diagram for complete information.
 - 8x Ethernet cables for the 8 Ethernet participant laptop connections
 - 8x power cables for the 8 power connections for participants



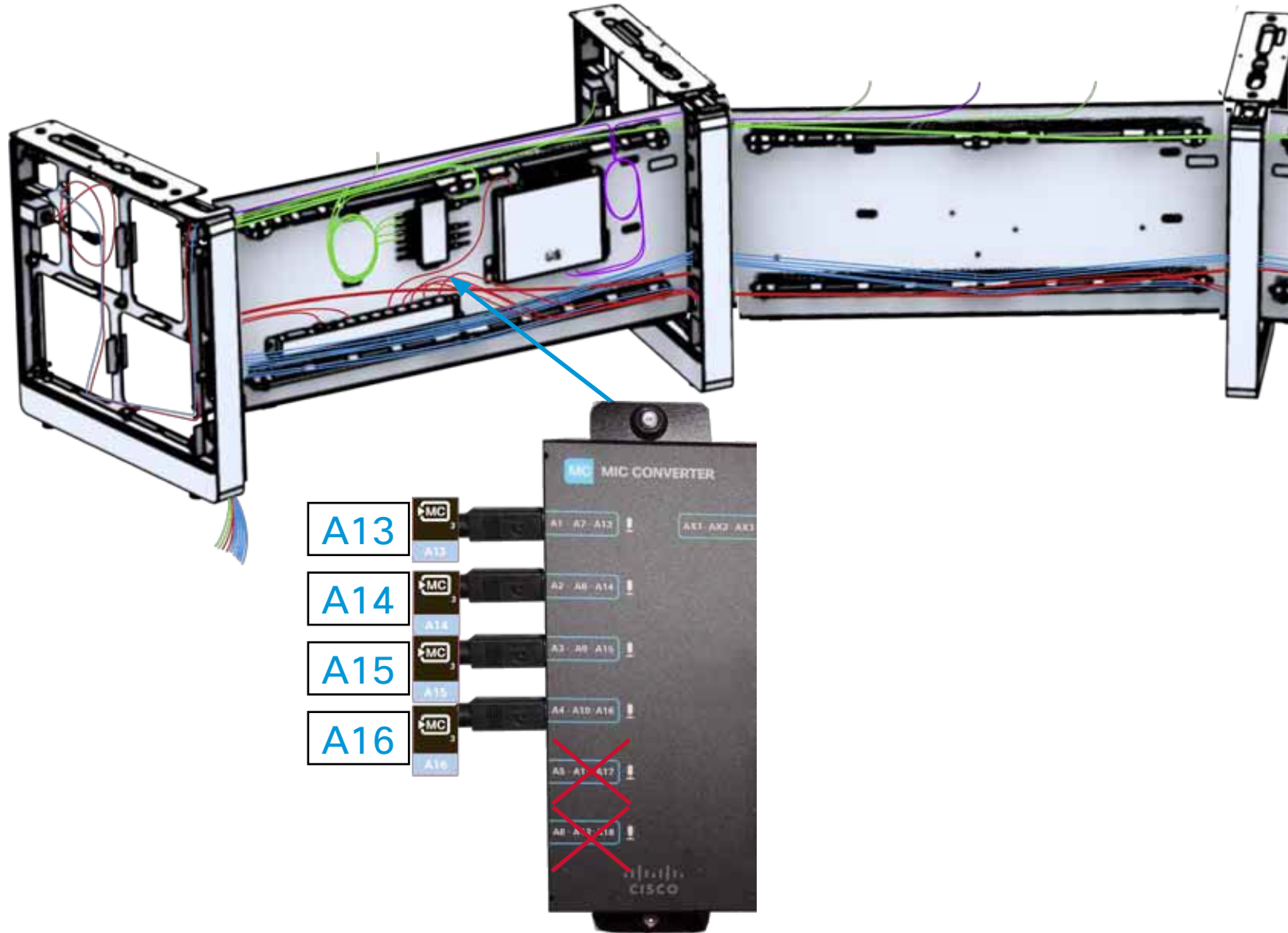
Cable Routing, Left



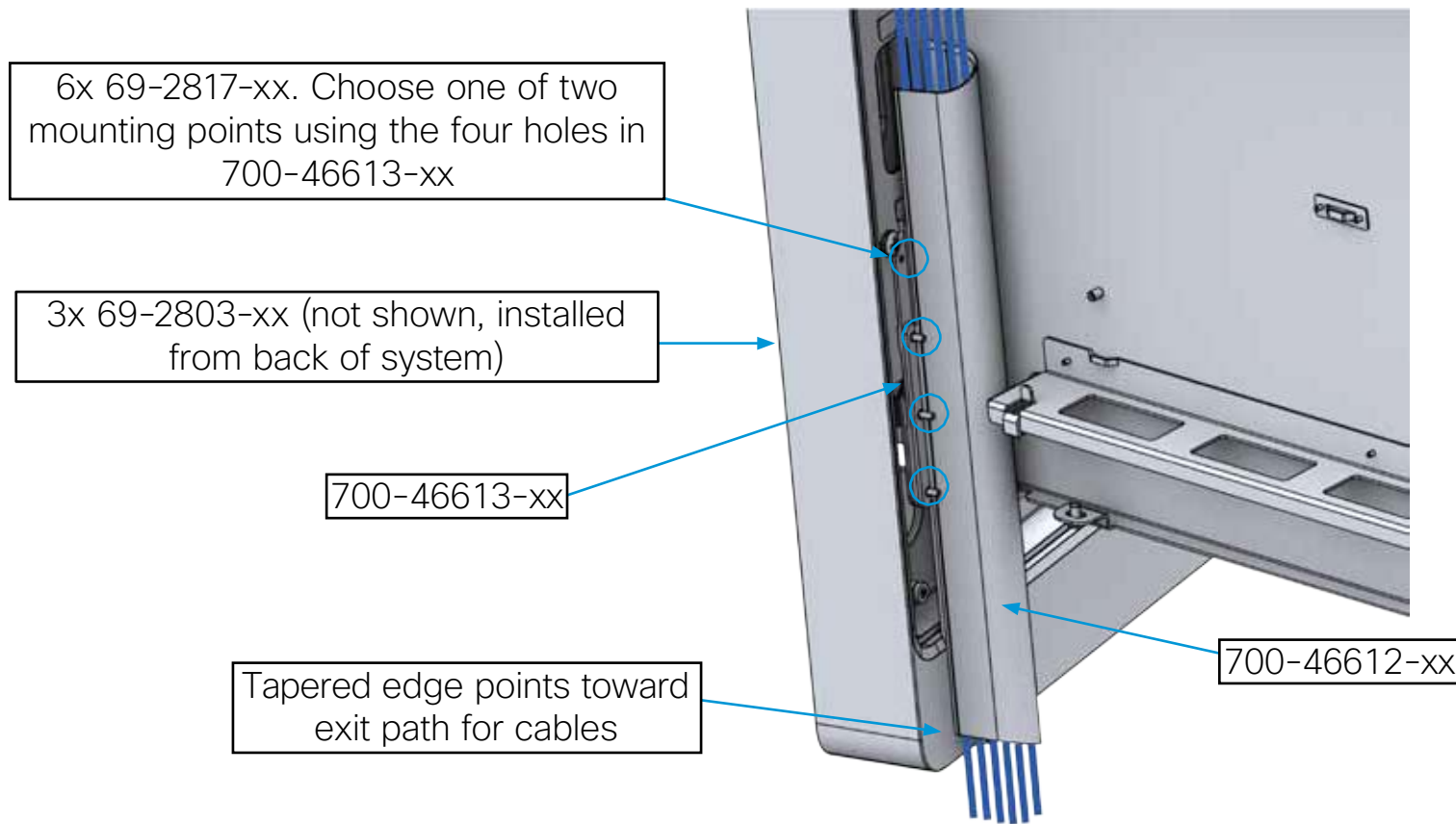
Cable Routing, Center



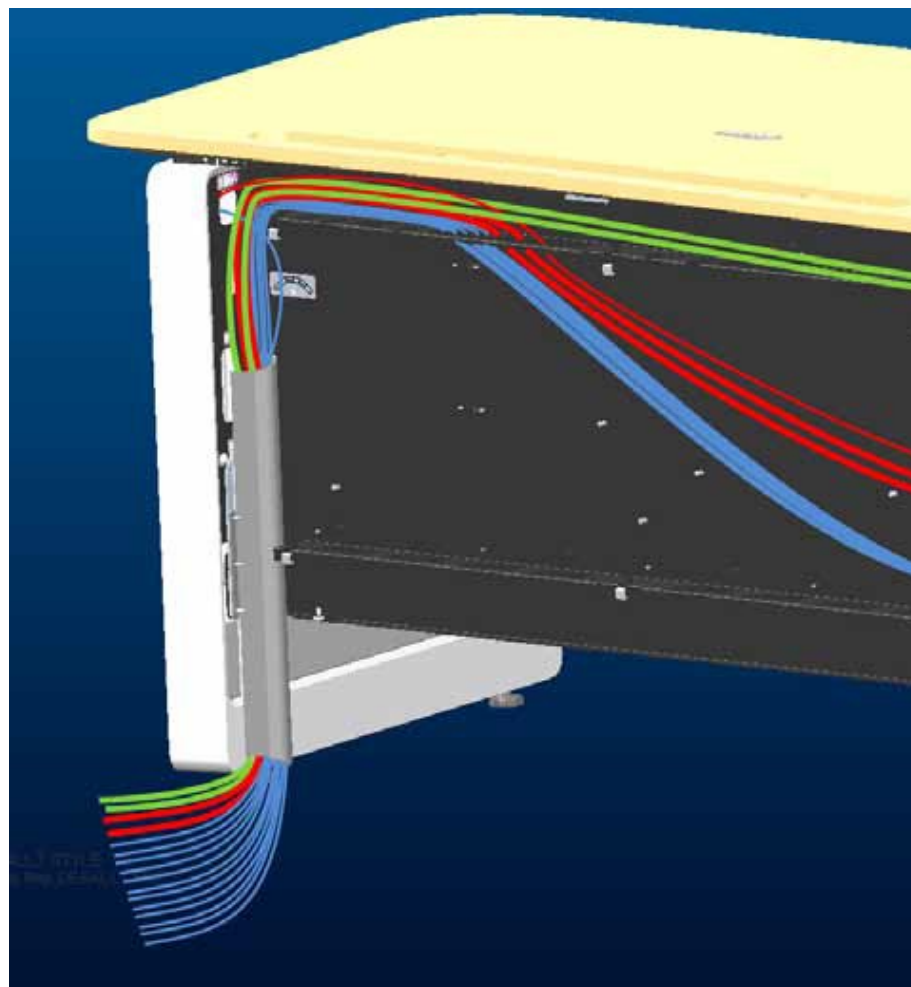
Cable Routing, Right



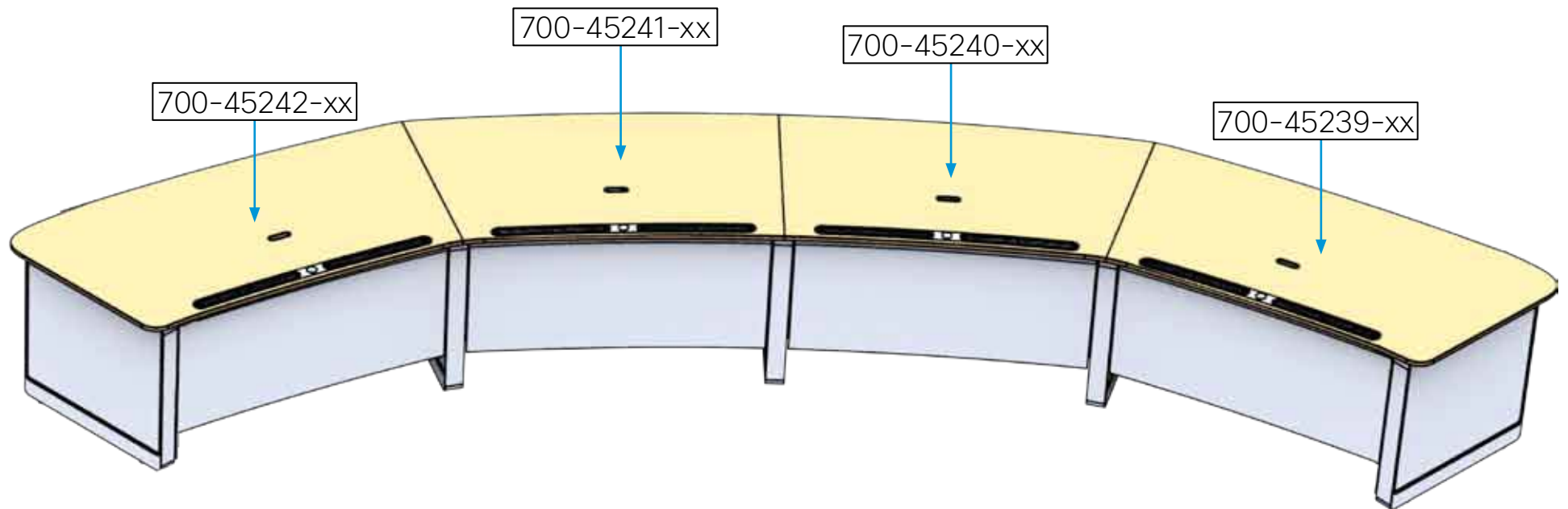
12 Determine the exit point for the cables (on the right or the left of the system). Bundle the cables into the short round piece of the downspout 700-46612-xx from the left or right exit point. Connect this piece to the long flat piece 700-46613-xx using 6x M4x10mm screws 69-2817-xx. Then connect the assembled downspout to the far-right or far-left table leg using 3x M6x10mm screws 69-2803-xx. **Note:** There are four holes in 700-46613-xx in which 700-46613-xx may be mounted. If the round piece is too close to the floor, slide it up and use the top three holes. **Tip:** Install the downspout so that the tapered area points toward the exit path for the cables.



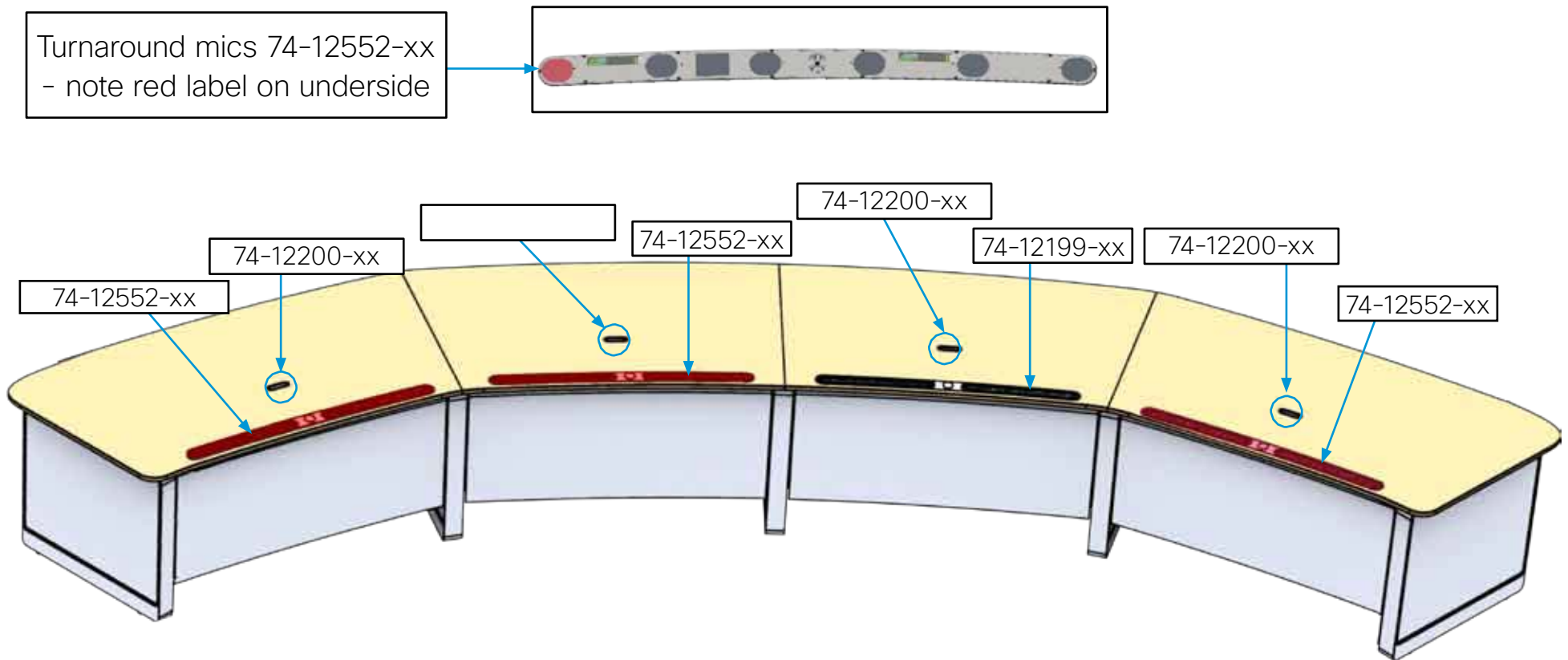
Cable Routing For the Downspout



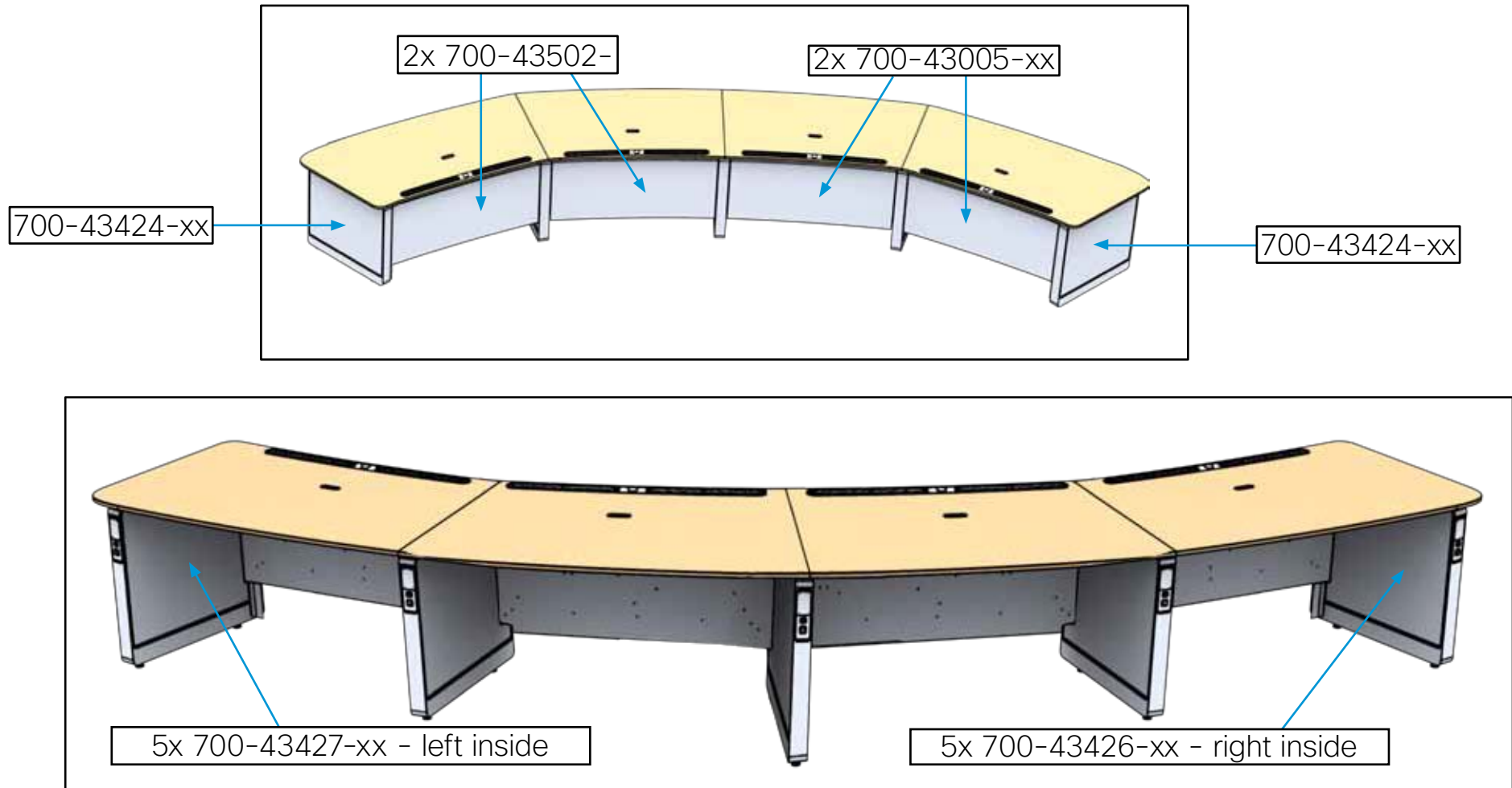
13 Install the tabletops. Install the right two sections, then the left two sections, and then put the sections together. Use the table joiners, half moon bolts, and joint plates, the same as the first row.



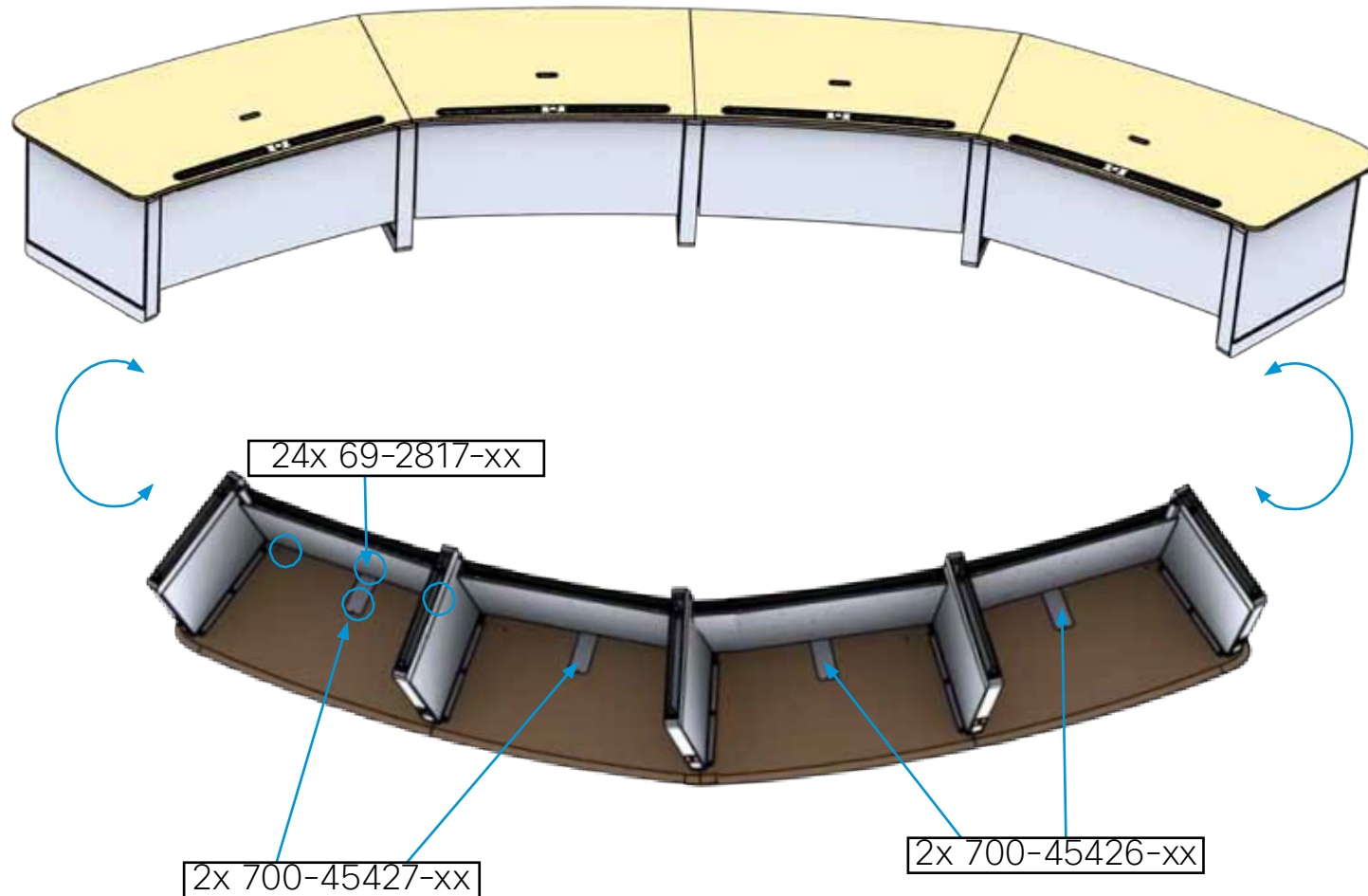
- 14** Install the 4x mute buttons 74-12200-xx and 4x microphone (mic) bars (2x 74-12552-xx and 2x 74-12199-xx) using 36x M4x12mm screws 69-2801-xx. See page 107 through page 112 of the [Cisco TelePresence IX5000 and IX5200 Installation Guide](#) for the steps. If your second row has Touch 10 devices, install them to the switches now. **Note that you install 1x regular mic bars, and 3x turnaround mic bars.** Turnaround mic bars have a red label on the underside.



15 Install the leg PET panels and the front panel covers. Place the PET panels over the magnets on the side of the table legs until they stick into place. Secure the front panel covers to the cable management assemblies using 8x M6x10mm screws 69-2803-xx.



16 Attach the mute button covers to the underside of the second row table to the underside of the tabletop assemblies using 4x M4x10mm black screws 69-2817-xx for each cover.



17 Measure the distance between the 1st and 2nd rows and adjust the tables as required. Use a laser level down the center of the table, and the seams between the table sections, to line it up with the first row table. Perform a final height check and make sure that the first and second row tables are the same height.

