



# Spare Part List

for Cisco Webex Board

## Thank You for Choosing Cisco!

Your Cisco product has been designed to give you many years of safe, reliable operation.

This part of the product documentation has been designed to help you to pick the right spare parts for order and replacement purposes. Our main objective is to address your goals and needs. Please let us know how well we succeeded!

May we recommend that you visit the Cisco web site regularly for updated versions of this guide.

## How to Use This Guide

The top menu bar and the entries in the Table of Contents are all hyperlinks when viewed on javascript enabled devices. You can click on them to go to the topic.

## Installation Information

You may want to consult the Installation Guides for the Webex Board when dealing with spare parts. The Installation Guides are found here:

▶ <https://www.cisco.com/c/en/us/support/collaboration-endpoints/spark-board/products-installation-guides-list.html>

## Table of contents

Introduction.....	3
<b>Spare Parts</b> .....	<b>5</b>
Cisco Webex Board Wall Mount—Complete Kit .....	6
Cisco Webex Board Wall Mount—Spare Parts .....	7
Cisco Webex Board Floor Stand—Complete Kit.....	8
Cisco Webex Board Floor Stand—Spare Parts.....	9
Cisco Webex Board Wall Stand—Complete Kit .....	10
Cisco Webex Board Wall Stand—Spare Parts.....	11
Cisco Webex Board—Other Spare Parts .....	12
<b>Cables</b> .....	<b>13</b>
Cisco Webex Board—Cables .....	14
<b>Appendices</b> .....	<b>15</b>
<b>Cisco contacts</b> .....	<b>17</b>

Note that Cisco has rebranded Cisco Spark to Cisco Webex Teams. The products remain unchanged, but you may occasionally see references to both Spark and Webex in various documents and web links.



## Chapter 1

# Introduction



Products covered in this guide:

- Cisco Webex Board

### What Is in This Guide

This guide lists all spare parts and cables that may be ordered for Cisco Webex Board 55, 70 and 85. Part numbers are included for all items.

### Ordering Information

To place an order, please contact your local Cisco representative or Cisco partner and refer to part numbers as listed in this document.

### Cisco Service and Support

Cisco and our partners provide a broad portfolio of smart, personalized services and support. For more information about these services, go to:

▶ <https://www.cisco.com/c/en/us/solutions/collaboration/service-listing.html>

### Installation Guides

You may want to consult the Installation Guides for the Webex Board when dealing with spare parts. The Installation Guides are found here:

▶ <https://www.cisco.com/c/en/us/support/collaboration-endpoints/spark-board/products-installation-guides-list.html>

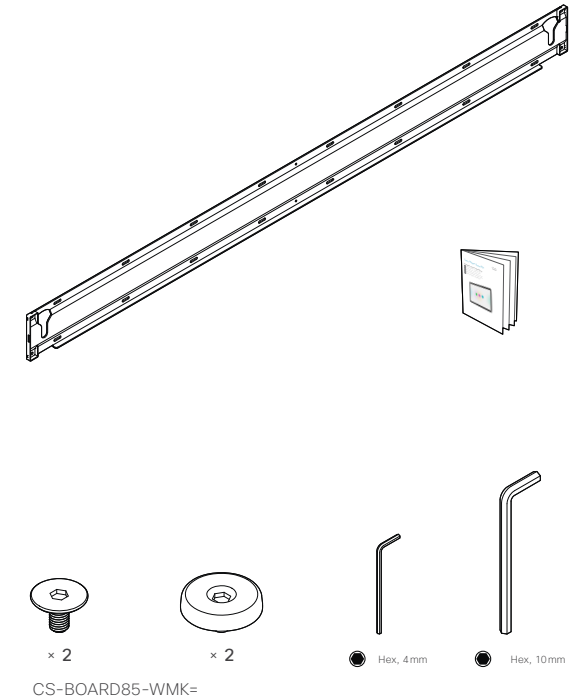
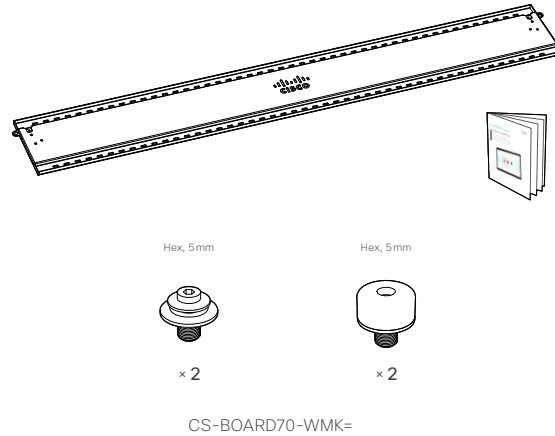
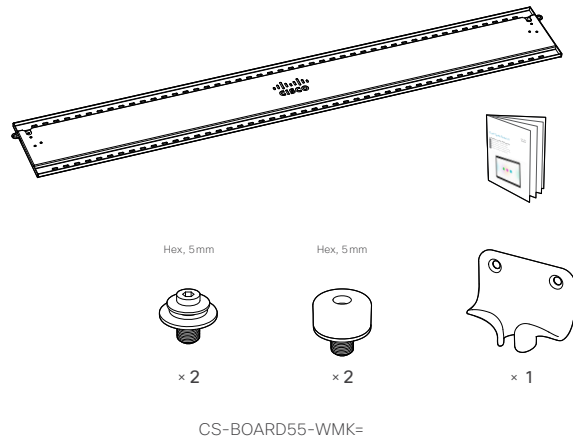


## Chapter 2

# Spare Parts

## Cisco Webex Board Wall Mount – Complete Kit

Part number	Part description
CS-BOARD55-WMK=	Complete Wall Mount Kit for Cisco Webex Board 55/55S
CS-BOARD70-WMK=	Complete Wall Mount Kit for Cisco Webex Board 70/70S
CS-BOARD85-WMK=	Complete Wall Mount Kit for Cisco Webex Board 85S

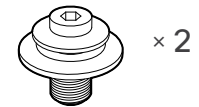
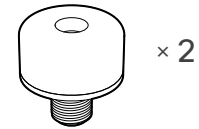


The Cisco Webex Board Installation Guides are found here: <https://www.cisco.com/c/en/us/support/collaboration-endpoints/spark-board/products-installation-guides-list.html>

## Cisco Webex Board Wall Mount – Spare Parts

Part number	Part description
SPBOARD-WMK-SCRW=	Adapters (screws) for the Wall Mount Kit for 55 and 70 (included in the complete kit, shown on the previous page)

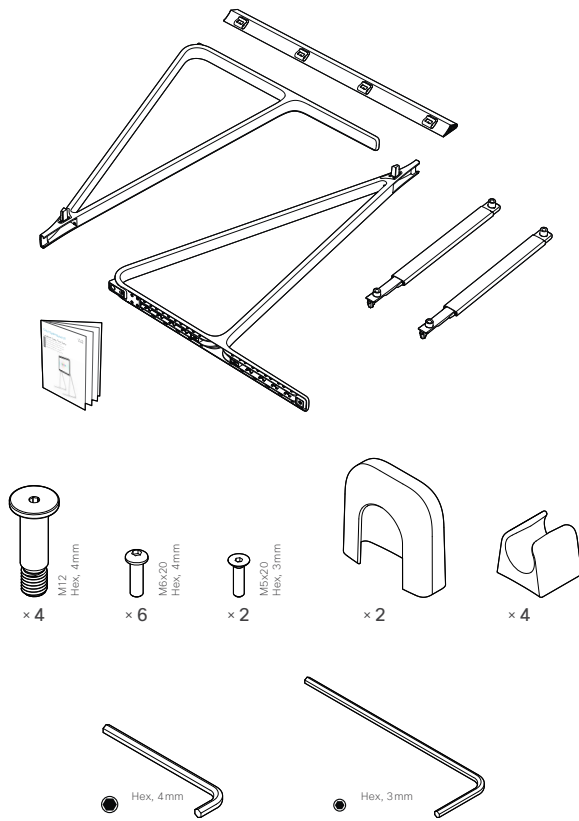
Applies to both 55 inch and 70 inch version of the Webex Board only



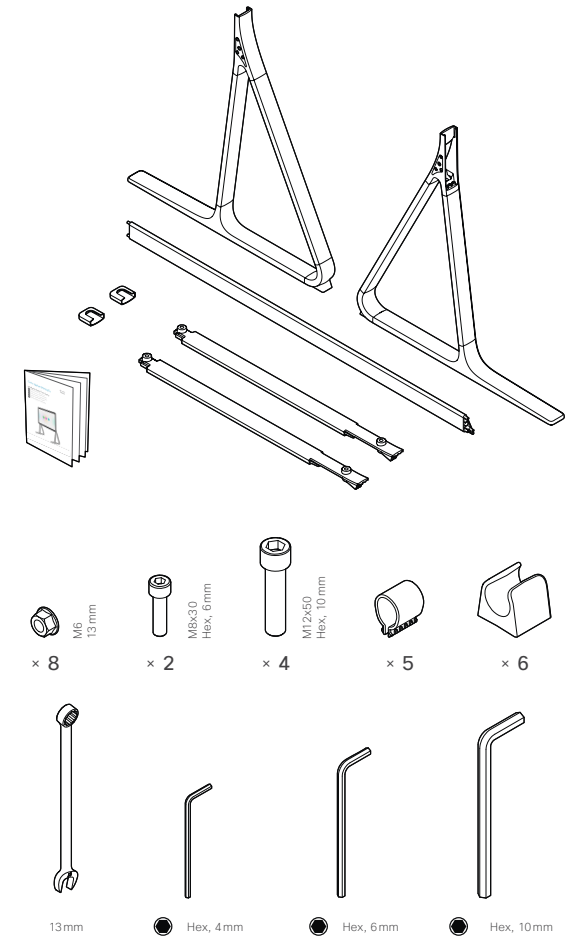
## Cisco Webex Board Floor Stand – Complete Kit

**Part Number**

CS-BOARD55-FS=	Complete Floor Stand for Cisco Webex Board 55/55S
CS-BOARD70-FS=	Complete Floor Stand for Cisco Webex Board 70/70S
CS-BOARD85-FS=	Complete Floor Stand for Cisco Webex Board 85S



Kit for Board 55 and 70



Kit for Board 85

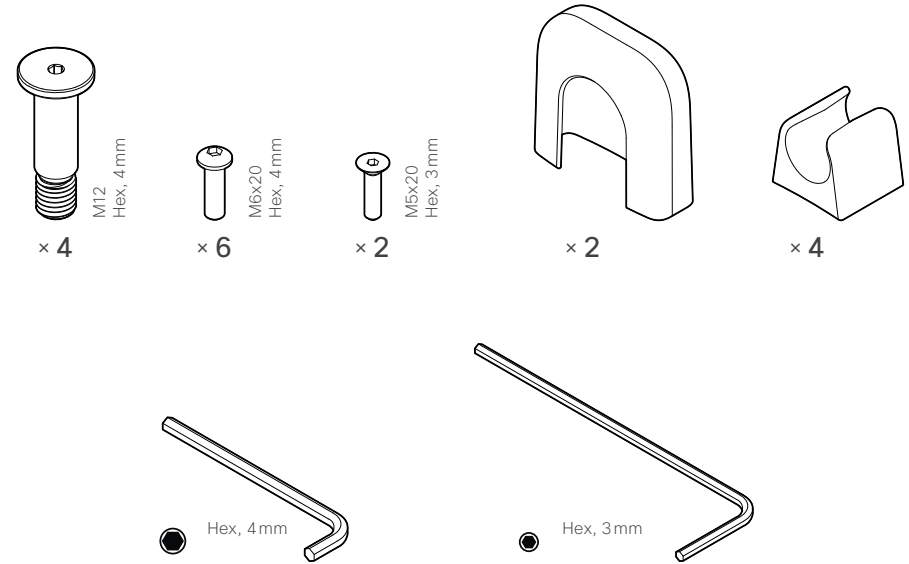
The Cisco Webex Board Installation Guides are found here: [▶ https://www.cisco.com/c/en/us/support/collaboration-endpoints/spark-board/products-installation-guides-list.html](https://www.cisco.com/c/en/us/support/collaboration-endpoints/spark-board/products-installation-guides-list.html)



## Cisco Webex Board Floor Stand – Spare Parts

Part number	Part description
SPBOARD-FS-SCRW=	Adapters (screws) for the Floor Stand (included in the complete kit, shown on the previous page)

Applies to the 55 inch and the 70 inch version of the Webex Board

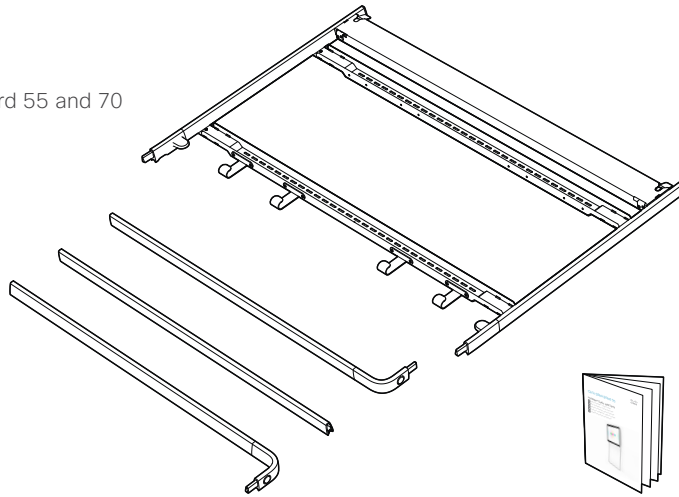


The Cisco Webex Board Installation Guides are found here: <https://www.cisco.com/c/en/us/support/collaboration-endpoints/spark-board/products-installation-guides-list.html>

## Cisco Webex Board Wall Stand – Complete Kit

Part Number	Part Description
CS-BOARD55-WS=	Complete Wall Stand for Cisco Webex Board 55/55S
CS-BOARD70-WS=	Complete Wall Stand for Cisco Webex Board 70/70S
CS-BOARD85-WS=	Complete Wall Stand for Cisco Webex Board 85S

Webex Board 55 and 70



Hex, 2.5mm



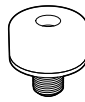
× 8

Hex, 5mm



× 2

Hex, 5mm



× 2

Hex, 2.5mm

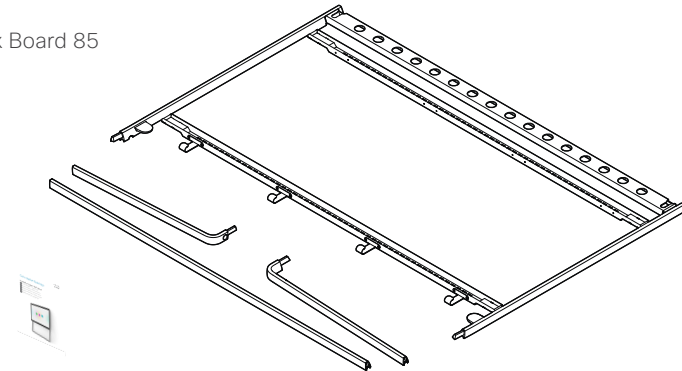


Hex, 5mm



× 8

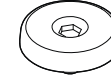
Webex Board 85



M6x12  
Hex, 4mm  
× 8



× 2



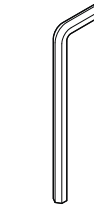
× 2



× 8



Hex, 4mm

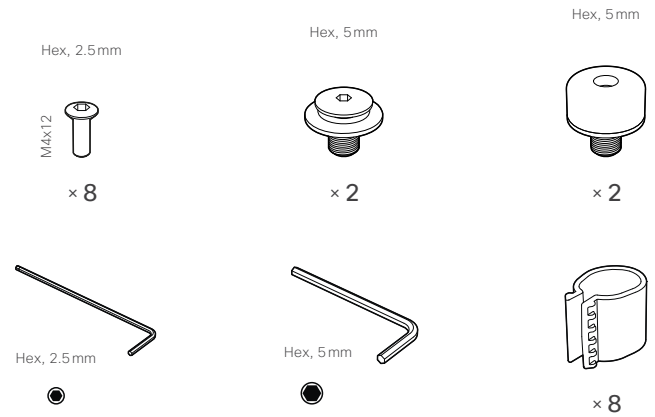


Hex, 10mm

## Cisco Webex Board Wall Stand – Spare Parts

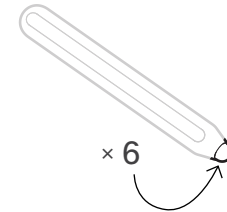
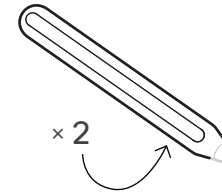
Part number	Part description
SPBOARD-WS-SCRW=	Adapters (screws) for the Wall Stand (included in the complete kit, shown on the previous page)

Applies to both 55 inch and 70 inch version of the Webex Board only



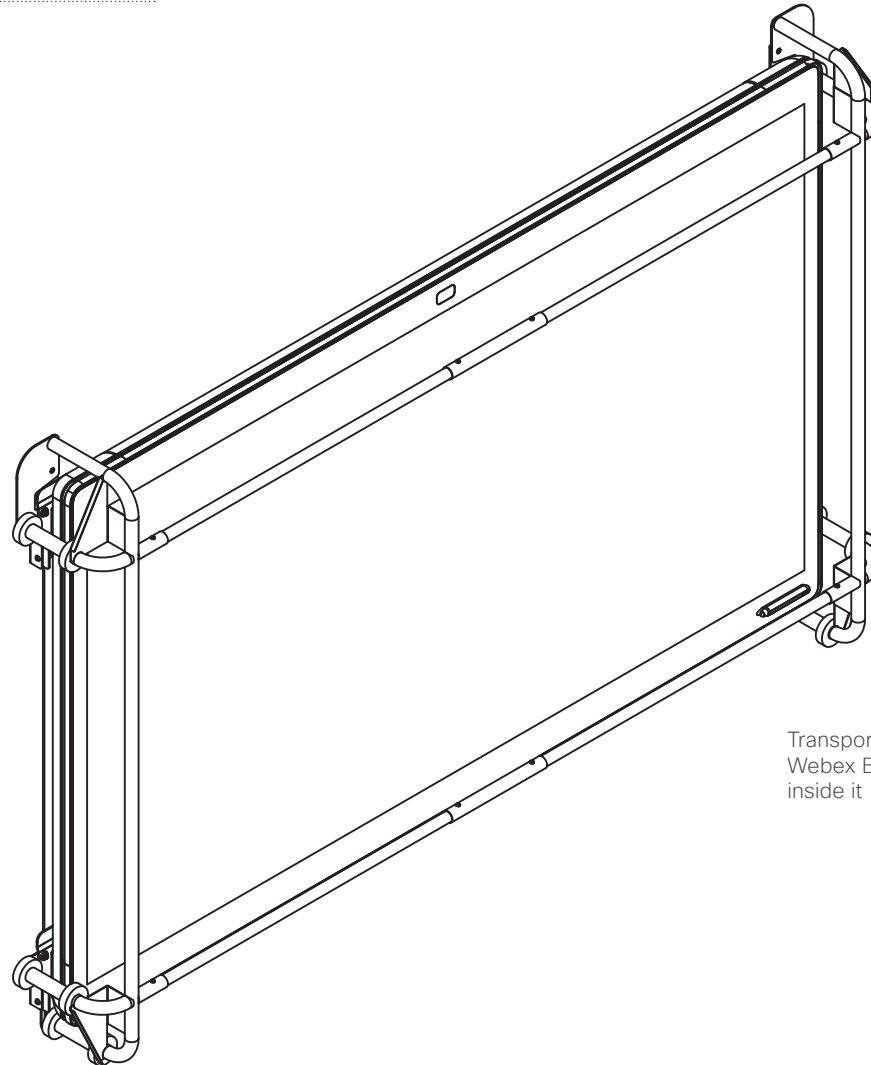
## Cisco Webex Board – Other Spare Parts

Part number	Part description
CS-BRD-PENKIT=	Spare pens in set of 2 pens and 6 tips



## Cisco Webex Board 85 – Transport Frame

Part number	Part description
CS-BRD85-FRM=	Cisco Webex Board 85 Transport Frame



Transport Frame shown with Webex Board 85 mounted inside it



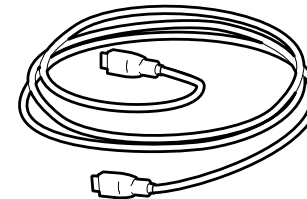
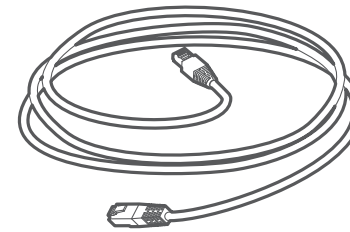
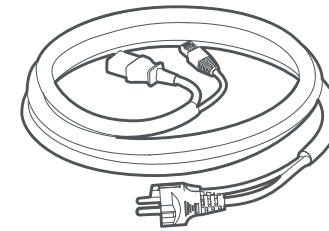
## Chapter 3

# Cables

## Cisco Webex Board – Cables

Part number	Part description
SPBOARD-CBLMGMT=	Cable management – Vowen sleeve (Sleeve only)
CAB-ETH-5M-GR=	Spare grey ethernet cable, length 16.4ft/5 m
CAB-PRES-2HDMI-GR=	Presenter cable 8m Gray HDMI 1.4b (with repeater) 4K capability
PWR-CORD-EUR-F=	Power Cord for Europe 5 m, 1mm <sup>2</sup>
PWR-CORD-ARG-F=	Power Cord for Argentina 5 m, 1mm <sup>2</sup>
PWR-CORD-AUS-F=	Power Cord for Australia 5 m, 1mm <sup>2</sup>
PWR-CORD-CHE-F=	Power Cord for Switzerland 5 m, 1mm <sup>2</sup>
PWR-CORD-CHN-F=	Power Cord for China 5 m, 1mm <sup>2</sup>
PWR-CORD-KOR-F=	Power Cord for South Korea 5 m, 1mm <sup>2</sup>
PWR-CORD-GBR-F=	Power Cord for United Kingdom 5 m, 1mm <sup>2</sup>
PWR-CORD-USA-F=	Power Cord for United States of America 4.5 m, 18AWG
PWR-CORD-BRA-F=	Power Cord for Brazil 5 m, 1mm <sup>2</sup>
PWR-CORD-IND-F=	Power Cord for India 5 m, 1mm <sup>2</sup>
PWR-CORD-ZAF-F=	Power Cord for South Africa 5 m, 1mm <sup>2</sup>
PWR-CORD-JPN-F=	Power Cord for Japan 5 m, 10A

Webex Board is not available in all countries. The above list of power cords shows all compatible power cords, but the list does not necessarily reflect the countries in which Webex Board actually is available.



The Cisco Webex Board Installation Guides are found here: <https://www.cisco.com/c/en/us/support/collaboration-endpoints/spark-board/products-installation-guides-list.html>



## Chapter 4

# Appendices





This page has intentionally been left blank

## Intellectual property rights

THE SPECIFICATIONS AND INFORMATION REGARDING THE PRODUCTS IN THIS MANUAL ARE SUBJECT TO CHANGE WITHOUT NOTICE. ALL STATEMENTS, INFORMATION, AND RECOMMENDATIONS IN THIS MANUAL ARE BELIEVED TO BE ACCURATE BUT ARE PRESENTED WITHOUT WARRANTY OF ANY KIND, EXPRESS OR IMPLIED. USERS MUST TAKE FULL RESPONSIBILITY FOR THEIR APPLICATION OF ANY PRODUCTS.

THE SOFTWARE LICENSE AND LIMITED WARRANTY FOR THE ACCOMPANYING PRODUCT ARE SET FORTH IN THE INFORMATION PACKET THAT SHIPPED WITH THE PRODUCT AND ARE INCORPORATED HEREIN BY THIS REFERENCE. IF YOU ARE UNABLE TO LOCATE THE SOFTWARE LICENSE OR LIMITED WARRANTY, CONTACT YOUR CISCO REPRESENTATIVE FOR A COPY.

The Cisco implementation of TCP header compression is an adaptation of a program developed by the University of California, Berkeley (UCB) as part of UCB's public domain version of the UNIX operating system. All rights reserved. Copyright © 1981, Regents of the University of California.

NOTWITHSTANDING ANY OTHER WARRANTY HEREIN, ALL DOCUMENT FILES AND SOFTWARE OF THESE SUPPLIERS ARE PROVIDED "AS IS" WITH ALL FAULTS. CISCO AND THE ABOVE-NAMED SUPPLIERS DISCLAIM ALL WARRANTIES, EXPRESSED OR IMPLIED, INCLUDING, WITHOUT LIMITATION, THOSE OF MERCHANTABILITY, FITNESS FOR A PARTICULAR PURPOSE AND NONINFRINGEMENT OR ARISING FROM A COURSE OF DEALING, USAGE, OR TRADE PRACTICE.

IN NO EVENT SHALL CISCO OR ITS SUPPLIERS BE LIABLE FOR ANY INDIRECT, SPECIAL, CONSEQUENTIAL, OR INCIDENTAL DAMAGES, INCLUDING, WITHOUT LIMITATION, LOST PROFITS OR LOSS OR DAMAGE TO DATA ARISING OUT OF THE USE OR INABILITY TO USE THIS MANUAL, EVEN IF CISCO OR ITS SUPPLIERS HAVE BEEN ADVISED OF THE POSSIBILITY OF SUCH DAMAGES.

Cisco and the Cisco Logo are trademarks of Cisco Systems, Inc. and/or its affiliates in the U.S. and other countries. A listing of Cisco's trademarks can be found at [www.cisco.com/go/trademarks](http://www.cisco.com/go/trademarks). Third party trademarks mentioned are the property of their respective owners. The use of the word partner does not imply a partnership relationship between Cisco and any other company. (1005R)

Any Internet Protocol (IP) addresses and phone numbers used in this document are not intended to be actual addresses and phone numbers. Any examples, command display output, network topology diagrams, and other figures included in the document are shown for illustrative purposes only. Any use of actual IP addresses or phone numbers in illustrative content is unintentional and coincidental.

TANDBERG is now a part of Cisco. TANDBERG® is a registered trademark belonging to Tandberg ASA.

## Cisco contacts

On our web site you will find an overview of the worldwide Cisco contacts.

Go to: ► <https://www.cisco.com/cisco/web/siteassets/contacts/index.html>

Corporate Headquarters  
Cisco Systems, Inc.  
170 West Tasman Dr.  
San Jose, CA 95134 USA