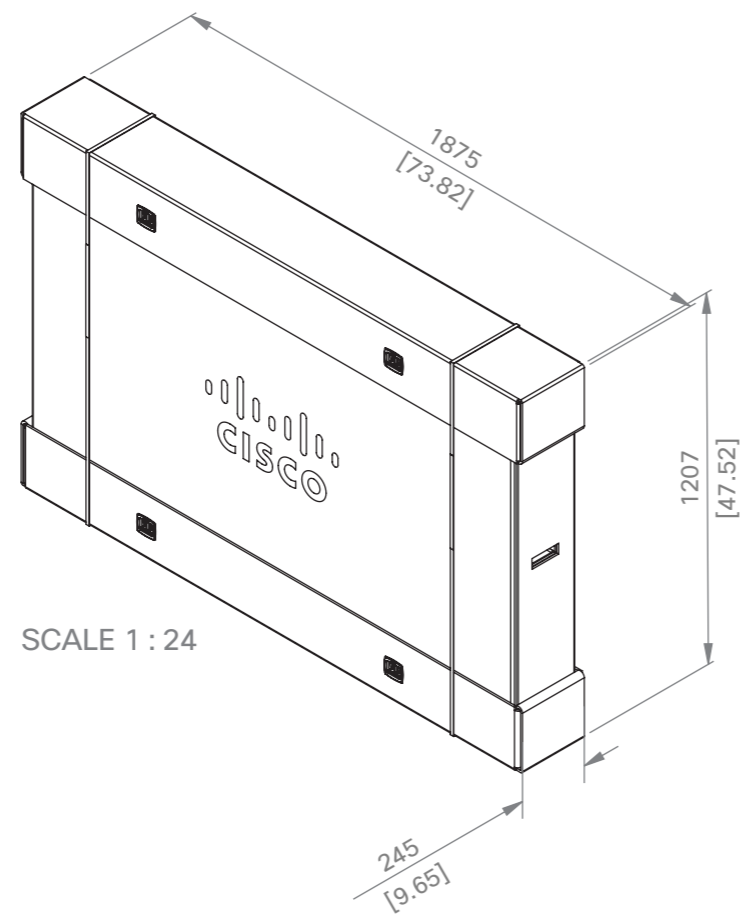


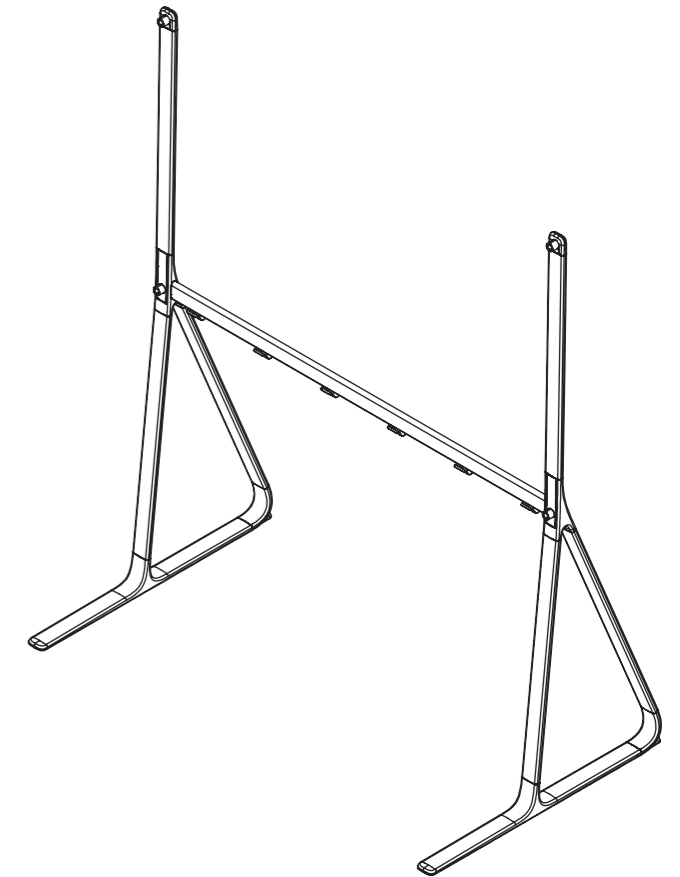
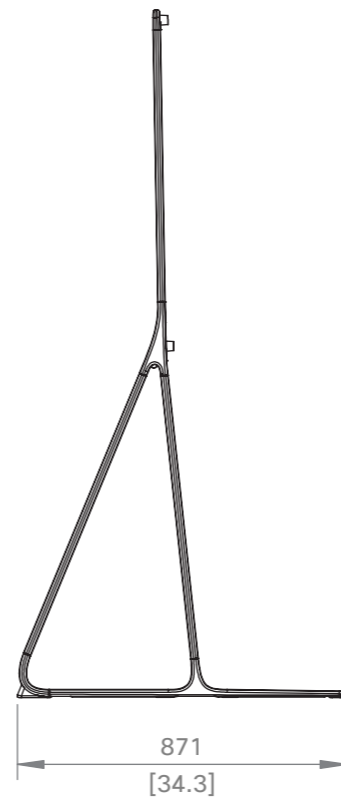
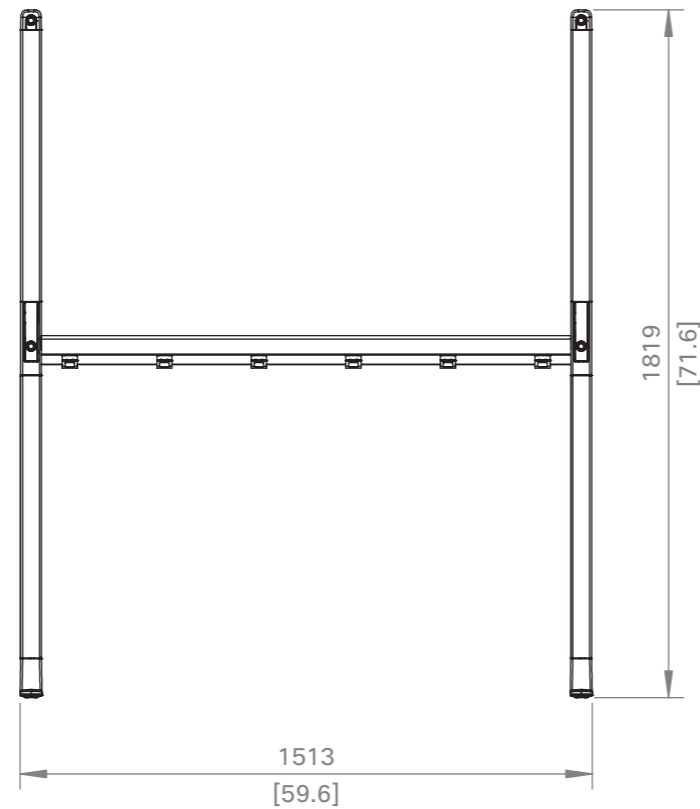
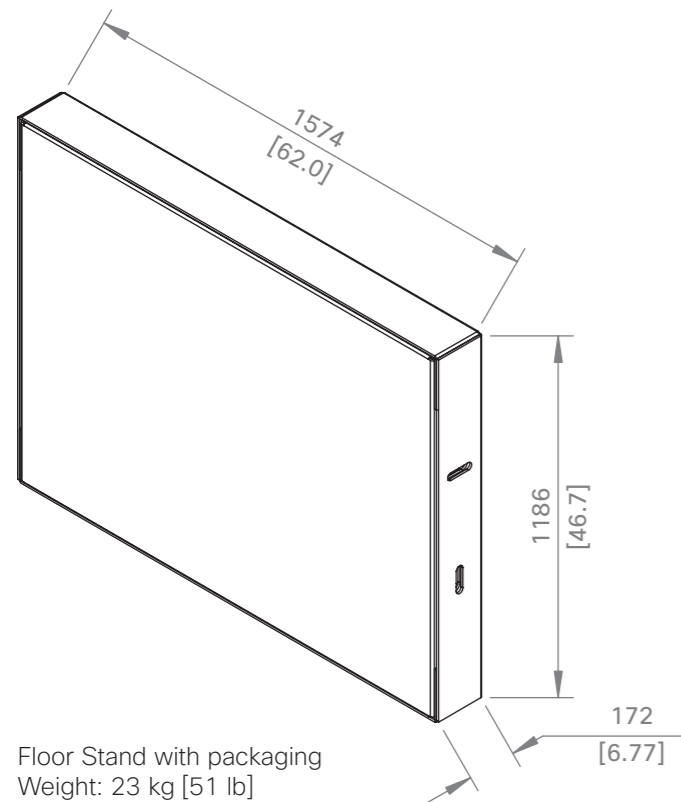
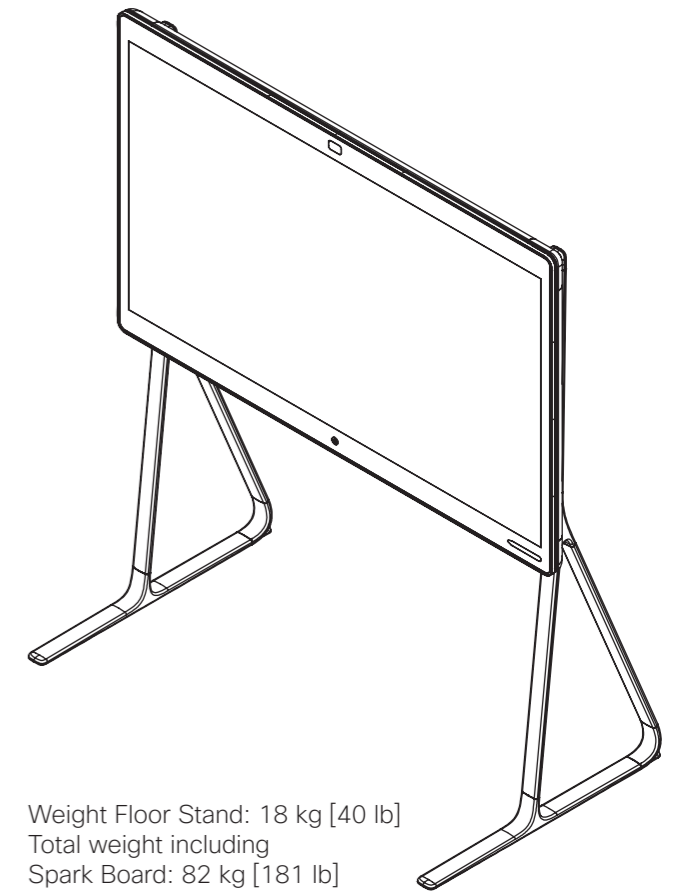
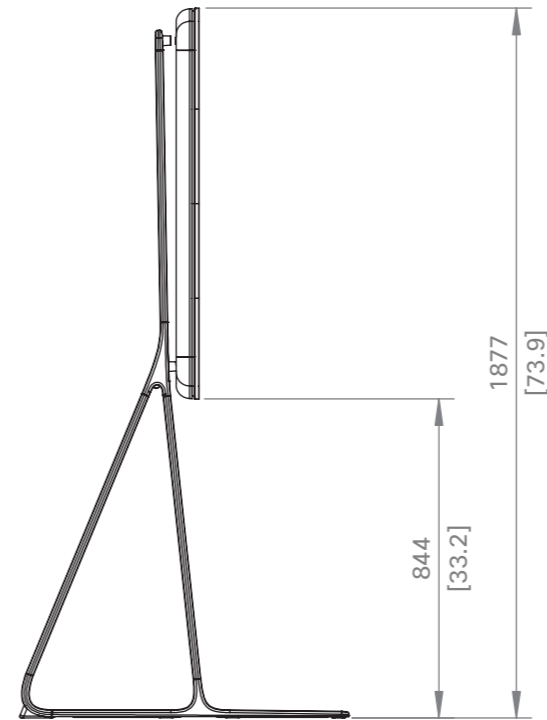
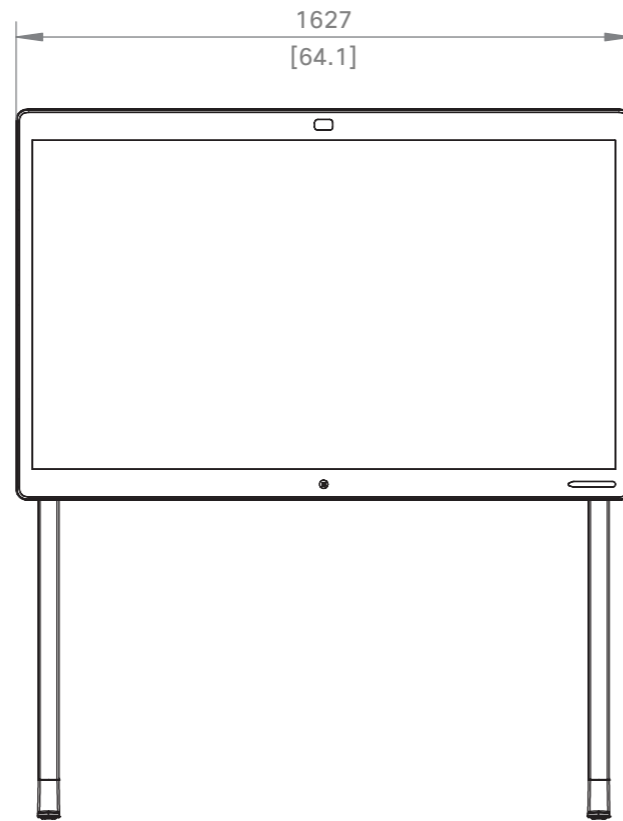
Spark Board Weight: 64 kg (142 lb)
Weight including packaging and accessories: 72 kg (159 lb)



Cisco Spark Board 70

European projection

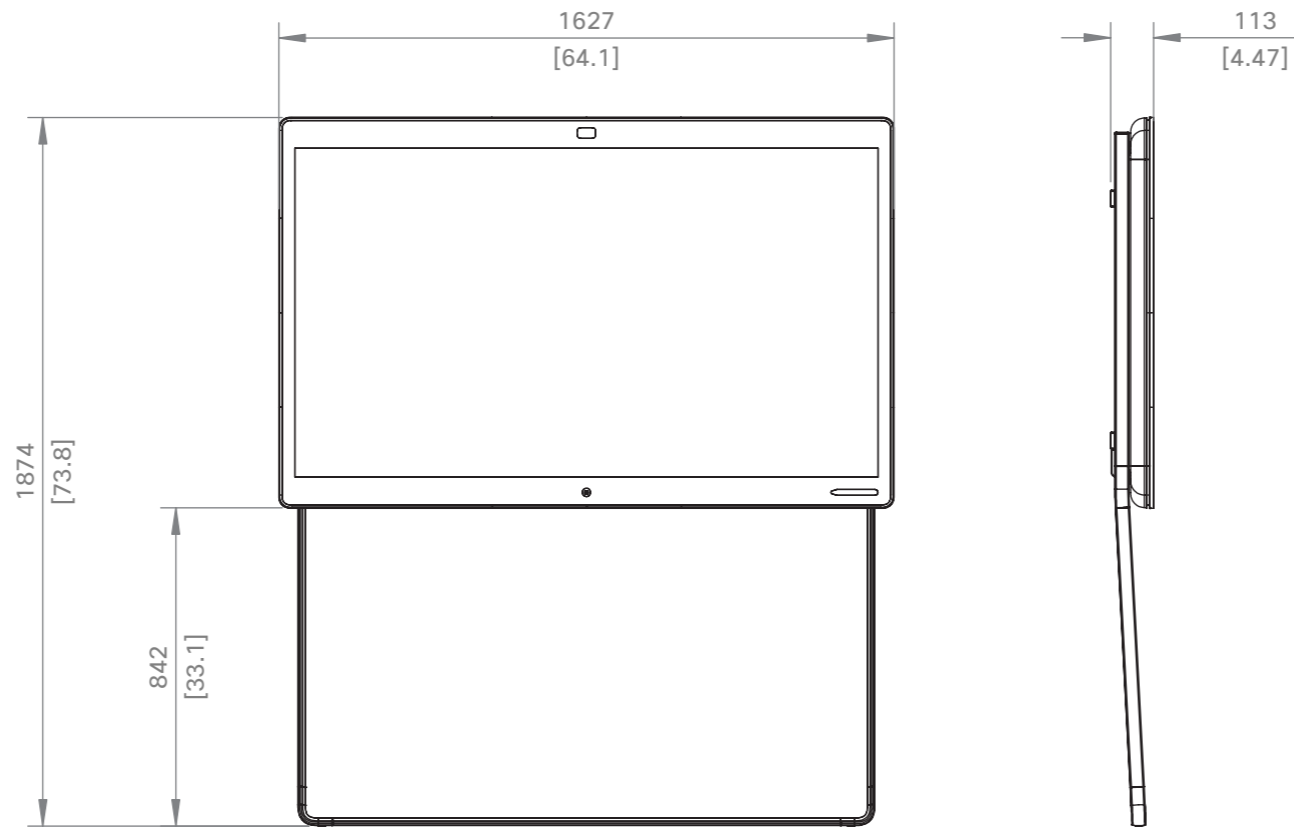
Unit: mm [in.]
Sheet size: A3
Scale: 1:12



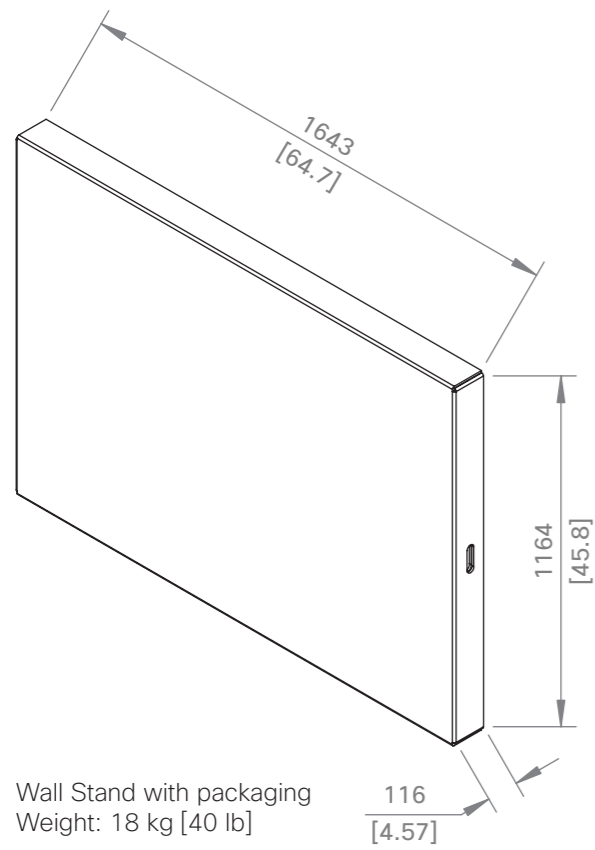
Cisco Spark Board 70
with Floor Stand

European projection

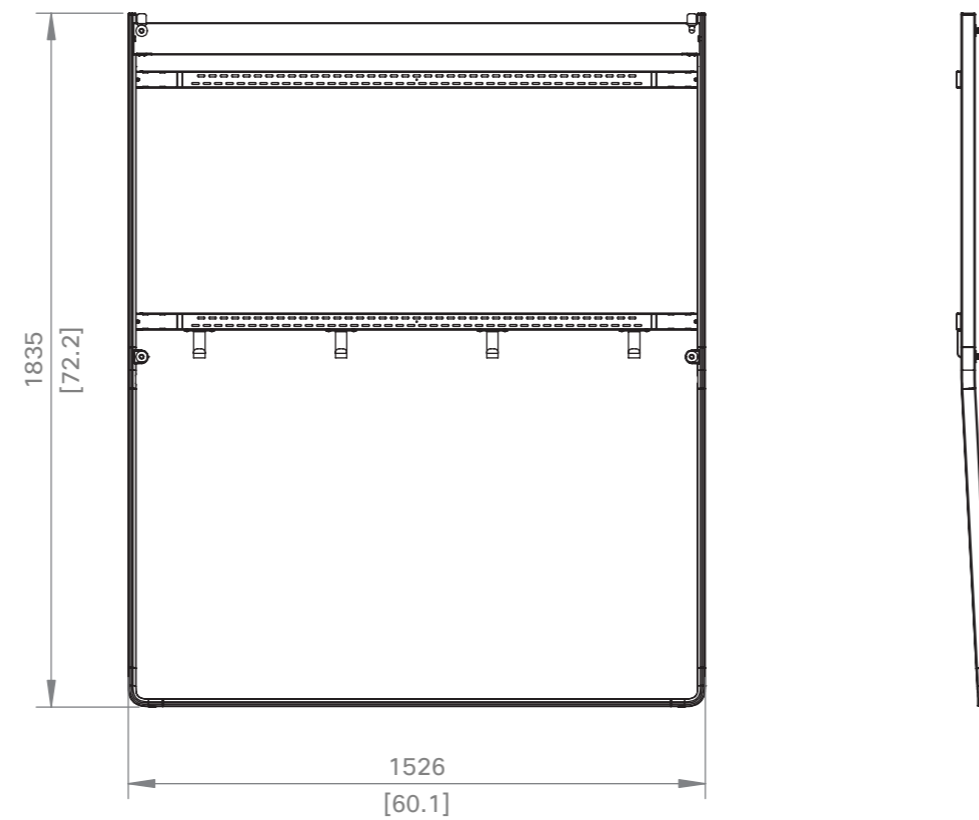
Unit: mm [in.]
Sheet size: A3
Scale: 1:20



Weight Wall Stand: 13 kg [29 lb]
 Total weight including Spark Board: 77kg [170 lb]



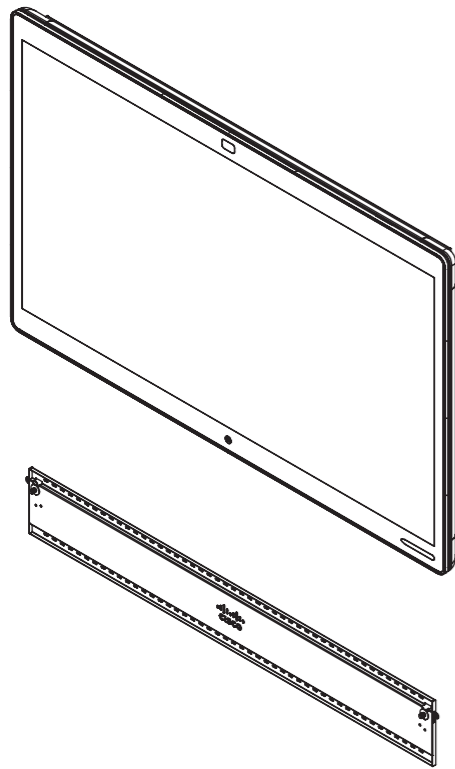
Wall Stand with packaging
 Weight: 18 kg [40 lb]



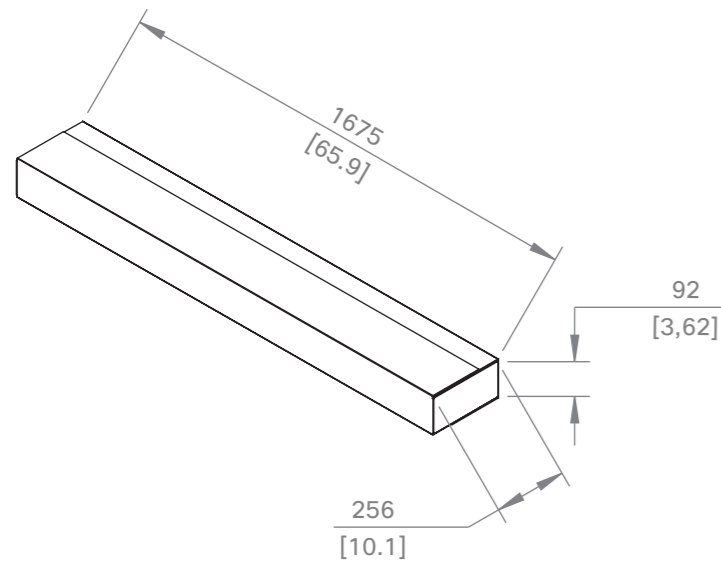
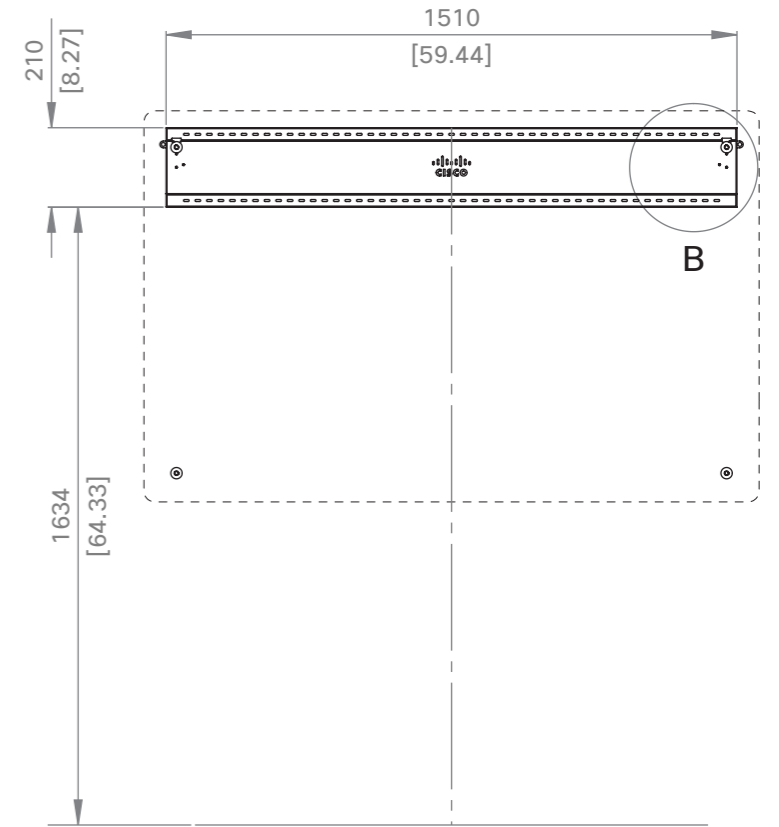
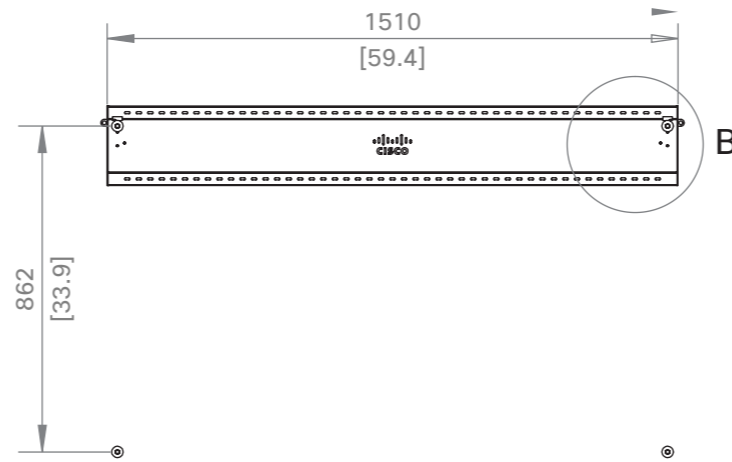
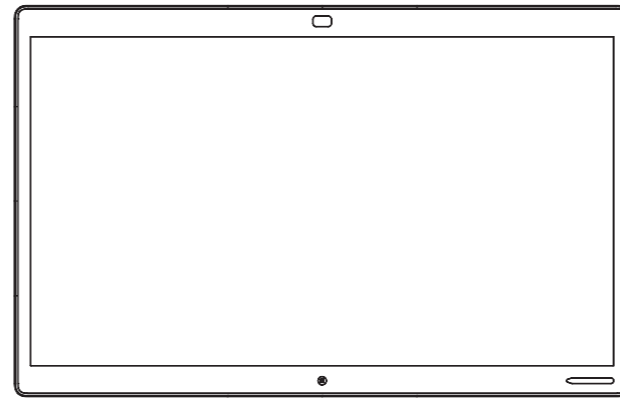
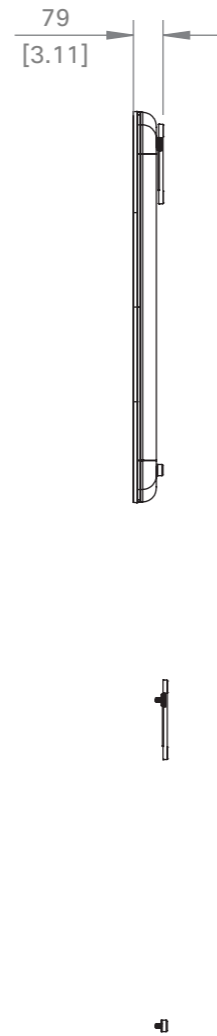
Cisco Spark Board 70
 with Wall Stand

European projection

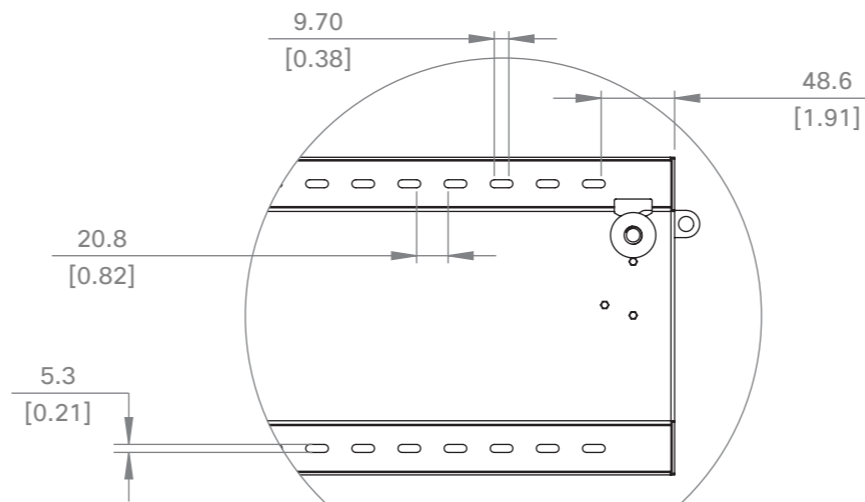
Unit: mm [in.]
 Sheet size: A3
 Scale: 1:20



Weight Wall Mount Kit: 5 kg [11 lb]
 Total weight including Spark Board: 69 kg [152 lb]



Wall Mount Kit packaging
 Weight: 6 kg [13 lb]



DETAIL B
 SCALE 1 : 5



Cisco Spark Board 70
 with Wall Mount

European projection

Unit: mm [in.]
 Sheet size: A3
 Scale: 1:20