



Spare Parts Replacement Guide

for Cisco Webex Room 55 Dual, Room 70, and Room 70 G2

Thank you for choosing Cisco!

Your Cisco product has been designed to give you many years of safe, reliable operation.

This part of the product documentation describes how to replace spare parts. Our main objective is to address your goals and needs. Please let us know how well we succeeded!

We recommend that you visit the Cisco website regularly for updated versions of this guide.

The user documentation can be found a <https://www.cisco.com/go/room-docs>

How to use this guide

The top menu bar and the entries in the table of contents are all hyperlinks. You can click on them to go to the topic.

Table of contents

Introduction	3
Grilles and covers	6
Replace the textile grilles	7
Replace the floor stand covers	8
Replace the side covers.....	9
Replace the center top profile, top rear cover, and rear center cover	10
Speakers and camera	11
Replace a loudspeaker	12
Replace the camera	14
Fans and antennas	17
Replace the fan unit.....	18
Replace the antenna modules.....	21
Codec and screens	25
Replace the codec	26
Replace the screen (mounted on a stand)	30
Replace the screen (wall mounted)	37
Appendix	49
Part numbers for spare parts	50
Cisco contacts	52



Introduction

Products covered in this guide:

- Cisco Webex Room 55 Dual
- Cisco Webex Room 70 Single
- Cisco Webex Room 70 Dual
- Cisco Webex Room 70 Single G2
- Cisco Webex Room 70 Dual G2

The products have three mounting options: free standing floor stand, floor stand secured to the wall, and wall mount.

About this guide

This guide describes how to replace spare parts for Cisco Webex Room 55 Dual, Cisco Webex Room 70, and Cisco Webex Room 70 G2.

The guide describes the steps required to remove the parts. In order to install the replacement part, you should follow the same steps in reverse order.

In addition to this *Replacement guide*, the following documents are particularly useful when replacing parts.

- Cable schema
- Spare parts list
- Installation guide(s)

These documents are available on the Cisco website. Go to <https://www.cisco.com/go/room-docs> and select *Maintain and Operate Guides* or *Install and Upgrade Guides*.

Ordering information

To place an order, please contact your local Cisco representative or Cisco partner, and refer to part numbers as listed in this document.

Cisco service and support

Cisco and our partners provide a broad portfolio of smart, personalized services and support. For more information about these services, go to: <https://www.cisco.com/go/telepresenceservices>

Symbols and abbreviations

Abbreviations:

- Room 55D: Cisco Webex Room 55 Dual
- Room 70S: Cisco Webex Room 70 Single
- Room 70D: Cisco Webex Room 70 Dual
- Room 70S G2: Cisco Webex Room 70 Single G2
- Room 70D G2: Cisco Webex Room 70 Dual G2

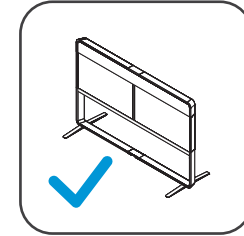
Most of the illustrations in this guide show the Room 70 Dual, even though the procedure applies to the other products as well.

It is important to note that:

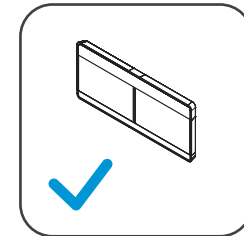
- Room 55 Dual has less speakers than the other products
- Room 70 Single and Room 70 Single G2 have only one screen
- Room 70 Single G2 and Room 70 Dual G2 have a different codec than the other products

The following symbols are used throughout the guide to indicate which products and mounting option(s) a procedure applies to:

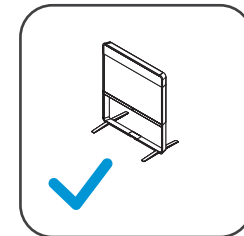
The procedure applies to Room 55 Dual, Room 70 Dual, and Room 70 Dual G2 mounted on a floor stand (either free standing floor stand or floor stand secured to the wall).



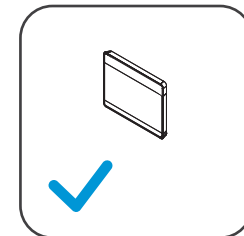
The procedure applies to Room 55 Dual, Room 70 Dual, and Room 70 Dual G2 with wall mount option.



The procedure applies to Room 70 Single, and Room 70 Single G2 mounted on a floor stand (either free standing floor stand or floor stand secured to the wall).



The procedure applies to Room 70 Single, and Room 70 Single G2 with wall mount option.



Grilles and covers

Replace the textile grilles	7
Replace the floor stand covers	8
Replace the side covers	9
Replace the center top profile, top rear cover, and rear center cover	10

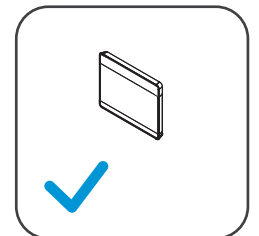
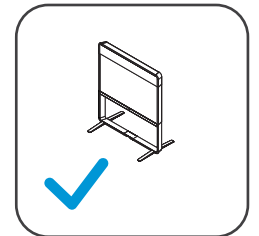
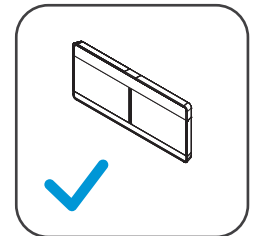
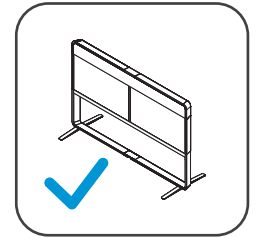
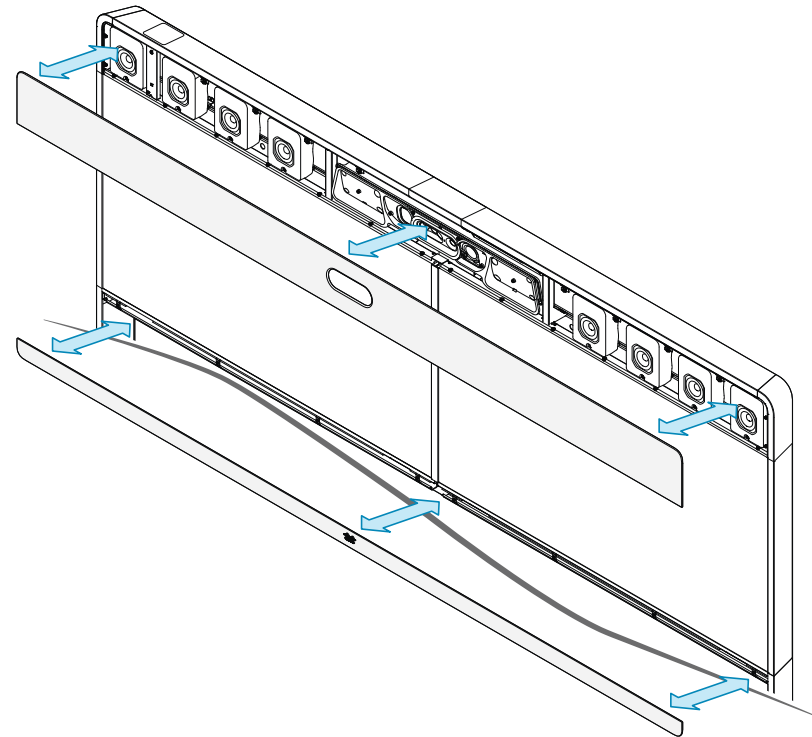
Replace the textile grilles



Wear gloves when handling the textile grilles to prevent staining the fabric.

Both the speaker grille and the lower grille are fastened with magnets.

Pull out gently to remove a grille, and lay it aside.



Re-assembly:

The grilles snap to the magnets when put back in place.

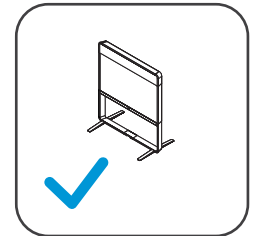
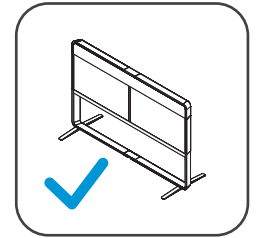
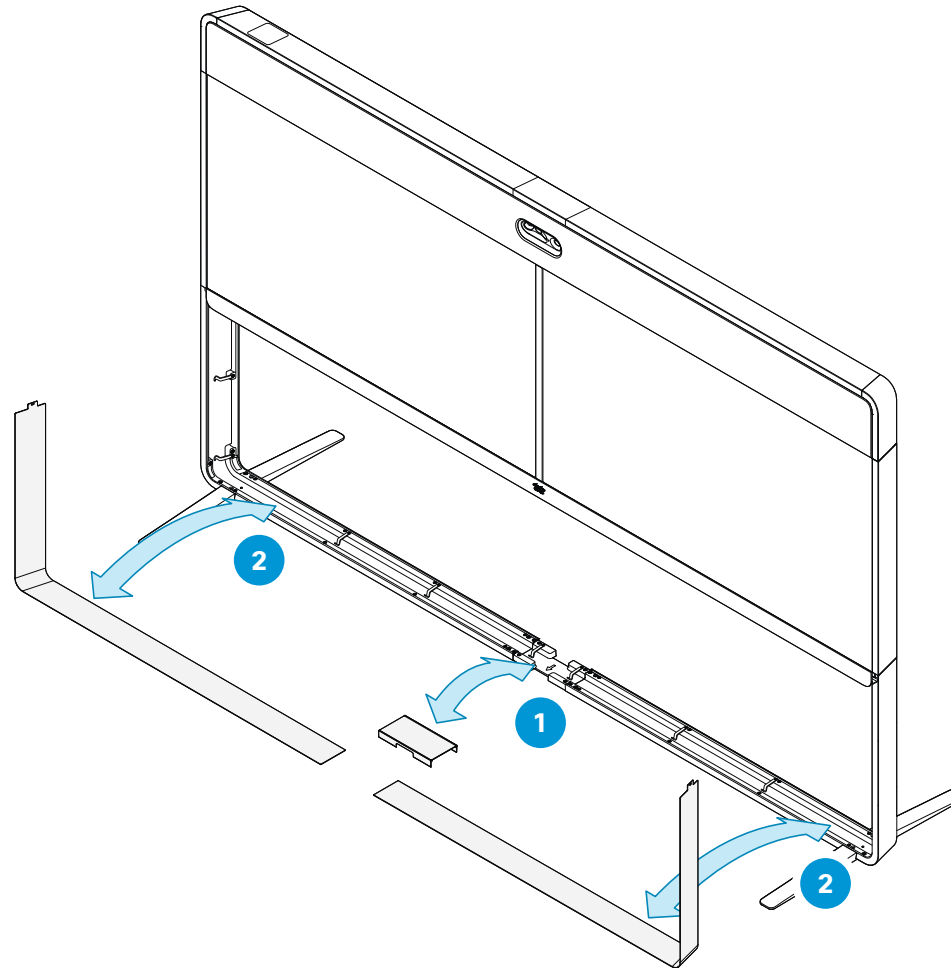
Spare parts:

- Grilles for Room 55D with floor stand: CS-ROOM55D-FS-GRK=
- Grilles for Room 55D with wall mount: CS-ROOM55D-WM-GRK=
- Grilles for Room 70S and Room 70S G2 with floor stand: CS-ROOM70S-FS-GRK=
- Grilles for Room 70D and Room 70D G2 with floor stand: CS-ROOM70D-FS-GRK=
- Grilles for Room 70S and Room 70S G2 with wall mount: CS-ROOM70S-WM-GRK=
- Grilles for Room 70D and Room 70D G2 with wall mount: CS-ROOM70D-WM-GRK=

Replace the floor stand covers

The center cover is click-fastened. Lift up to remove the cover.

The left and right covers are fastened with magnets. Pull out gently to remove the covers.



Re-assembly:

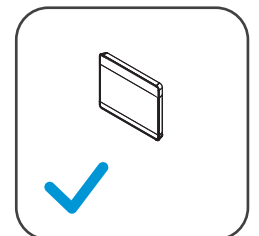
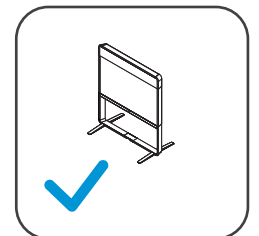
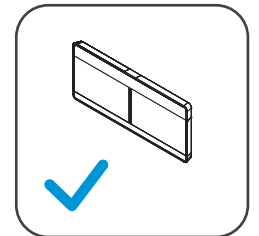
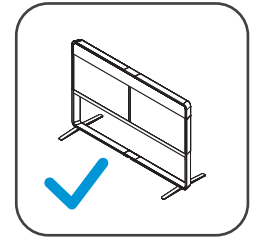
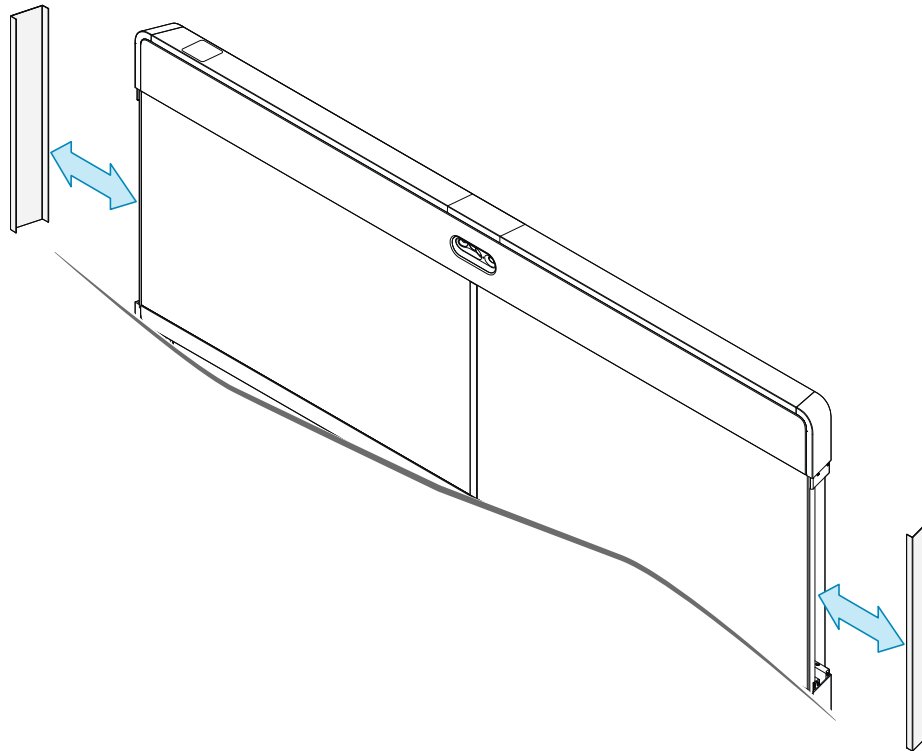
The left and right covers snap to the magnets when put back in place. The center cover click-fastens when put back in place.

Spare parts:

- All floor stand covers for Room 55D are part of: CS-ROOM55D-FSK=
- All floor stand covers for Room 70S and Room 70S G2 are part of: CS-ROOM70S-FSK=
- All floor stand covers for Room 70D and Room 70D G2 are part of: CS-ROOM70D-FSK=
- The center floor stand cover is also available separately (for all products): CS-ROOM55-70-CFBC=

Replace the side covers

The covers are fastened with magnets.
Pull out gently to remove the covers.



Re-assembly:

The covers snap to the magnets when put back in place.

Spare parts:

- Side covers for Room 55D: CS-ROOM55-MON-SCV=
- Side covers for Room 70S, Room 70D, Room 70S G2, and Room 70D G2: CS-ROOM70-MON-SCV=

Replace the center top profile, top rear cover, and rear center cover

Step 1: Remove the center top profile

The center top cover is click-fastened. Pull out gently.

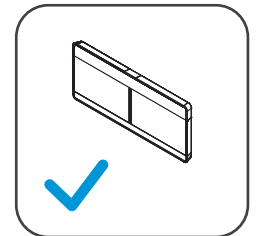
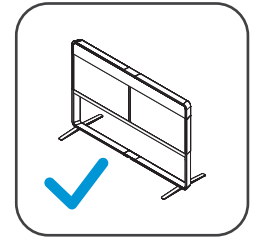
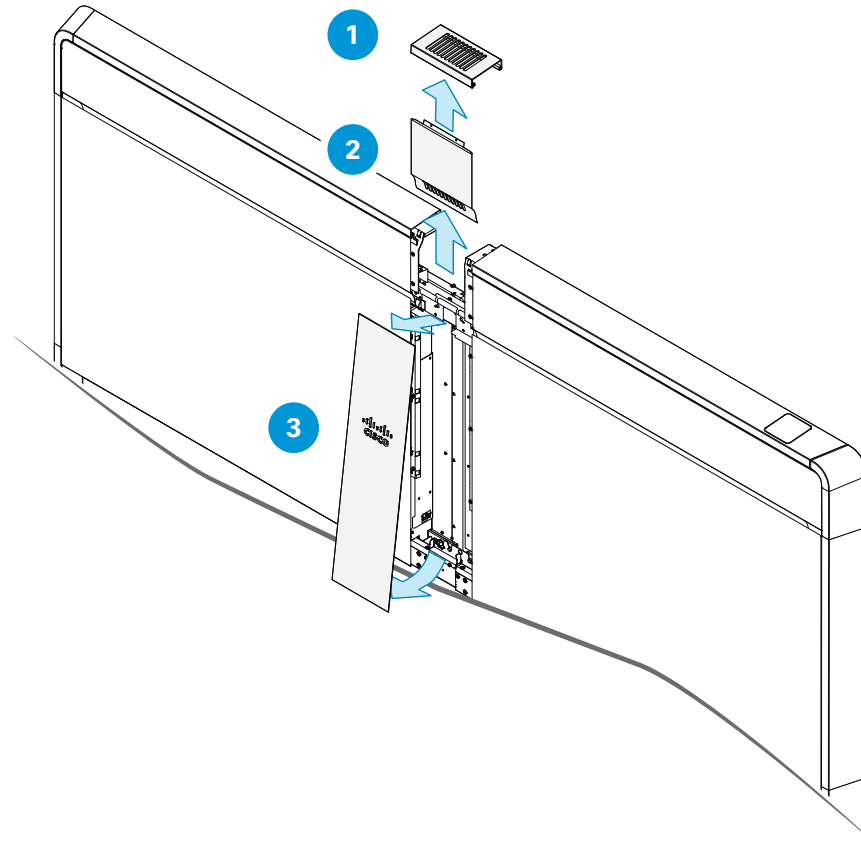
Step 2: Remove the top rear cover

The top rear cover is fastened with magnets. Pull up gently.

Step 3: Remove the rear center cover

The rear center cover is fastened with magnets.

Tilt the cover out at the bottom, and slide it upward.



Re-assembly:

In order to replace the covers, follow the steps in reversed order.

Spare parts:

- Rear center cover kit for Room 55D: CS-ROOM55D-CAMCV=
- Rear center cover kit for Room 70D and Room 70D G2: CS-ROOM70D-CAMCV=

Speakers and camera

Replace a loudspeaker	12
Replace the camera	14

Replace a loudspeaker (page 1 of 2)

Step 1: Remove the speaker grille

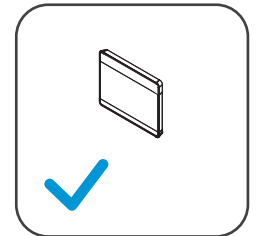
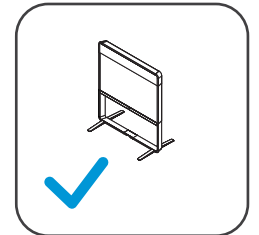
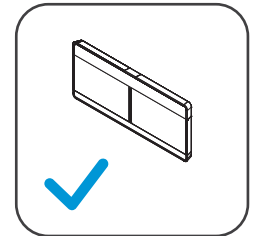
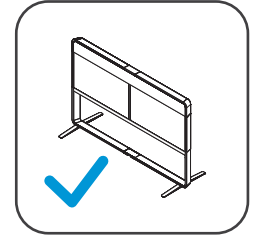
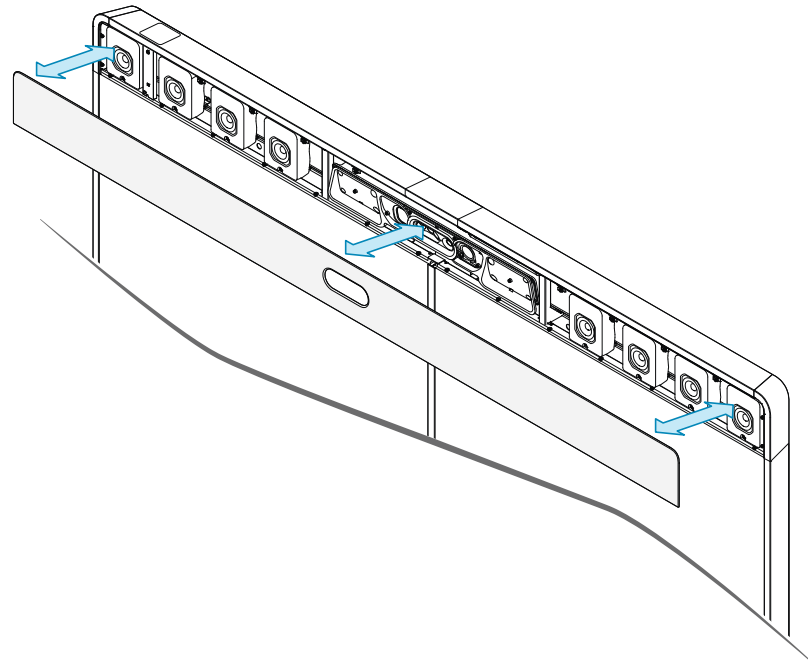


Wear gloves when handling the textile grilles to prevent staining the fabric

The speaker grille is fastened with magnets.
Pull out gently and lay it aside.



Before proceeding to the next step, make sure to turn off the power.



Spare part:

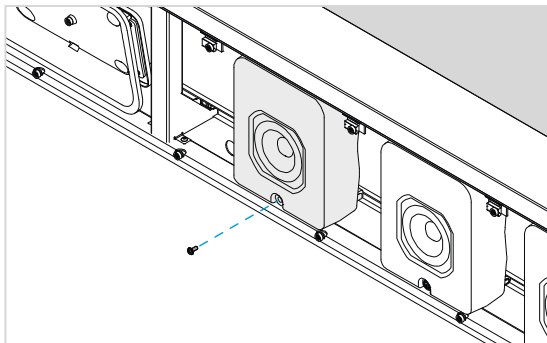
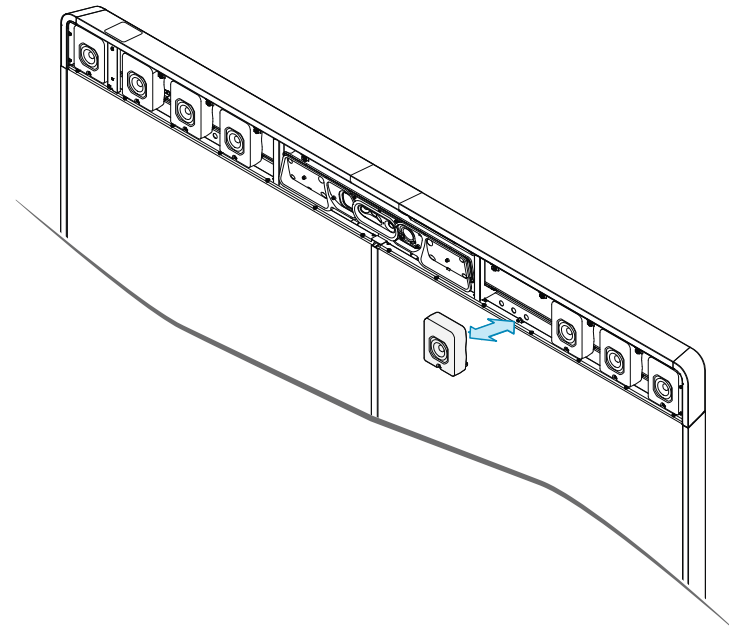
- Speaker for all systems: CTS-MX700800-SPKR= (first version) or CS-R70-R55D-SPKR= (new version, introduced in early 2021)

If your video system has the first version, you can replace it with either CTS-MX700800-SPKR= or CS-R70-R55D-SPKR=. If your system has the new version, you can replace it only with CS-R70-R55D-SPKR=.

Replace a loudspeaker (page 2 of 2)

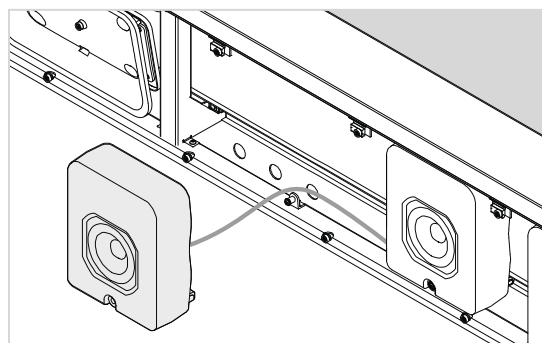
Step 2: Remove a loudspeaker

The same procedure applies for loudspeakers in all positions.

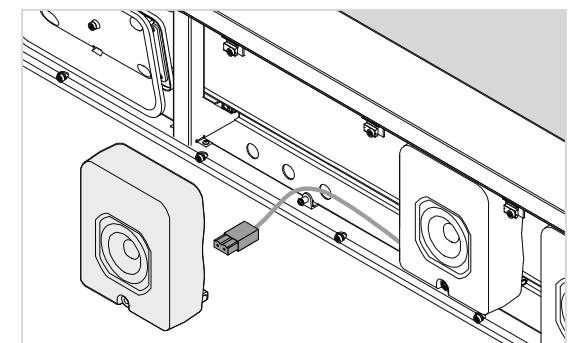


2a Remove screw.

PT4x10, Torx T20



2b Pull out loudspeaker 10-15 cm (4-6 inch).




2c Unplug the cable from the connector on the back of the loudspeaker.

Re-assembly:


In order to install the new loudspeaker, follow the steps in reversed order.

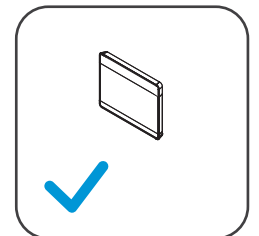
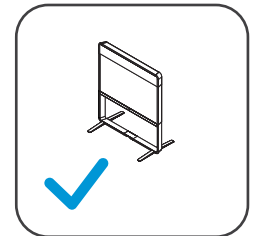
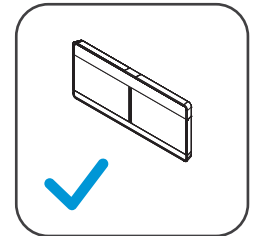
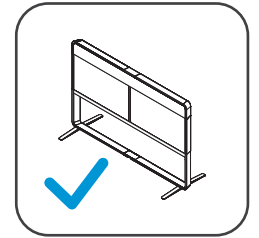
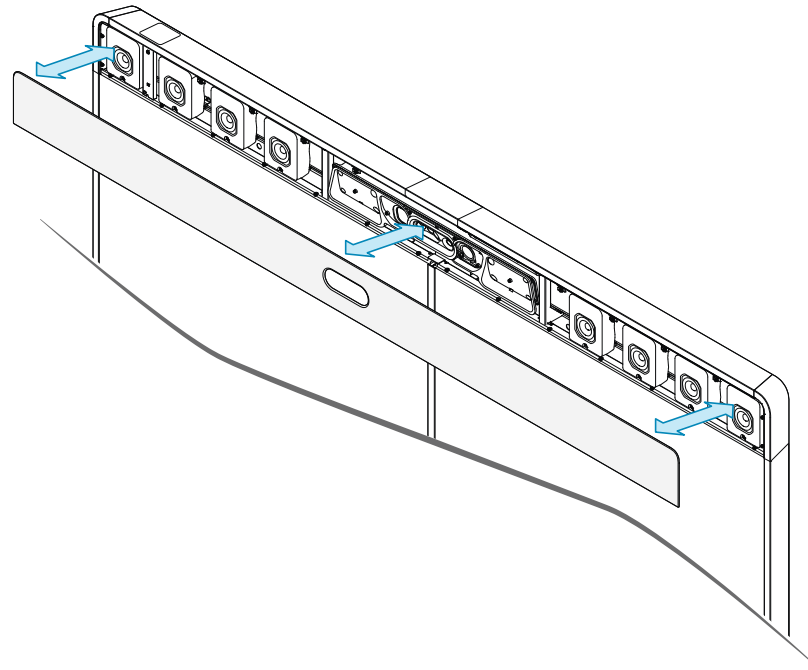
Replace the camera (page 1 of 3)

Step 1: Remove speaker grille

 Wear gloves when handling the textile grilles to prevent staining the fabric.

The speaker grille is fastened with magnets.
Pull out gently and lay it aside.

 Before proceeding to the next step, make sure to turn off the power.

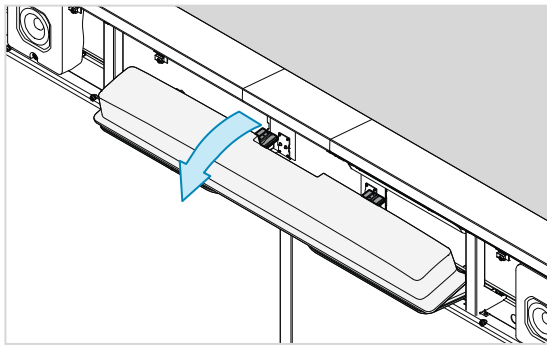


Spare part:

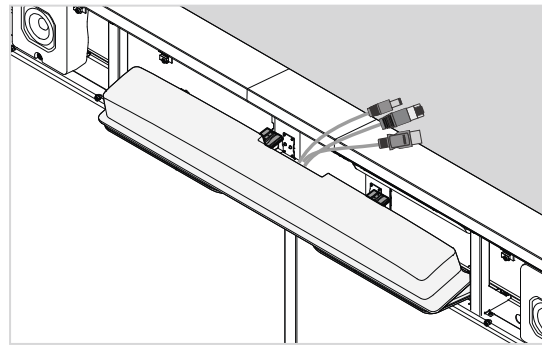
- Camera for all systems: CS-RQUADCAM=

Replace the camera (page 2 of 3)

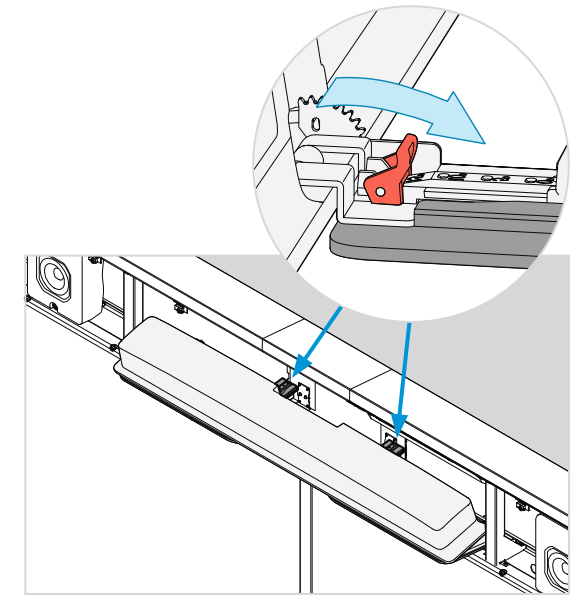
Step 2: Unlock and pull out the camera



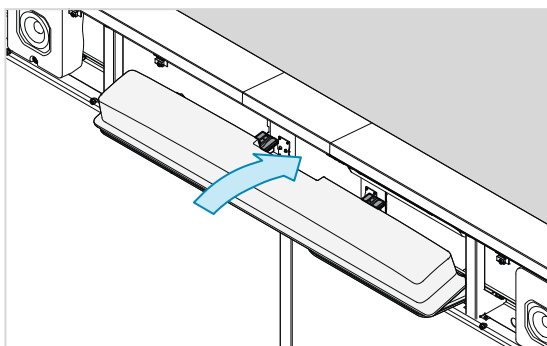
2a Tilt the camera forward.



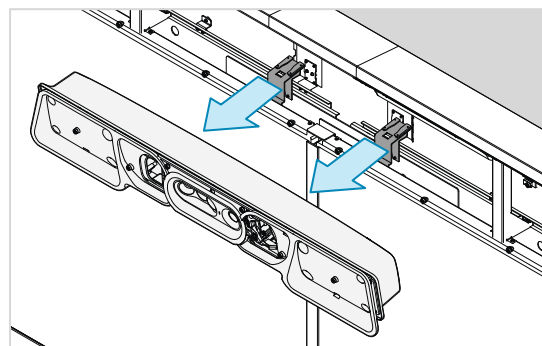
2b Unplug the cables.



2c Move the two release levers backward to unlock the camera.



2d Tilt the camera back to its normal position.

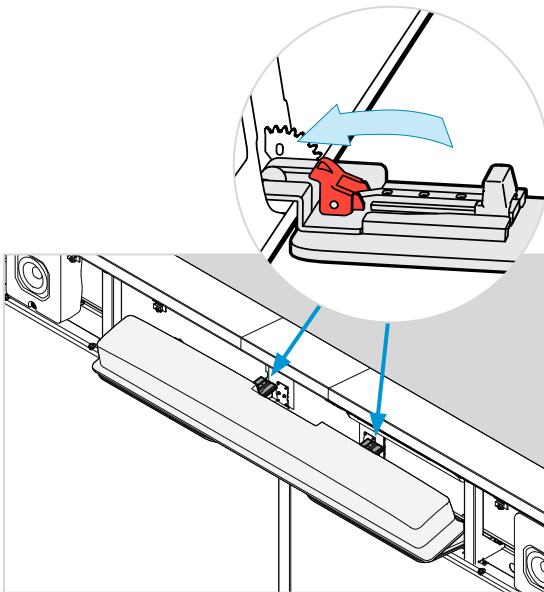


2e Pull out the camera.

Replace the camera (page 3 of 3)

Re-assembly:

In order to install the new camera, follow the steps in reversed order.



Make sure that the two release levers are in the locked position (moved fully forward) when you have inserted the camera.



Never leave the camera with the release levers in unlocked position.

Fans and antennas

Replace the fan unit.....	18
Replace the antenna modules.....	21

Replace the fan unit (page 1 of 3)

Step 1: Remove speaker grille and camera

Follow the steps described in [“Replace the camera”](#) on page 14 and page 15. Leave the lower grille on.

Step 2: Remove loudspeakers

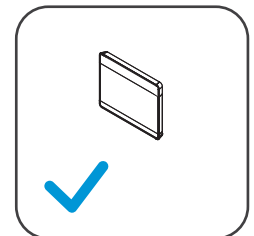
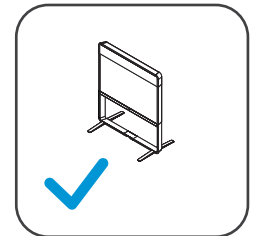
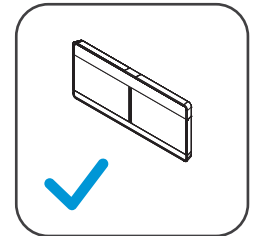
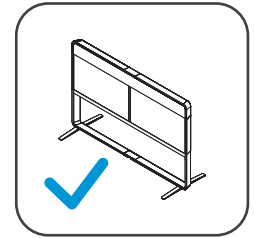
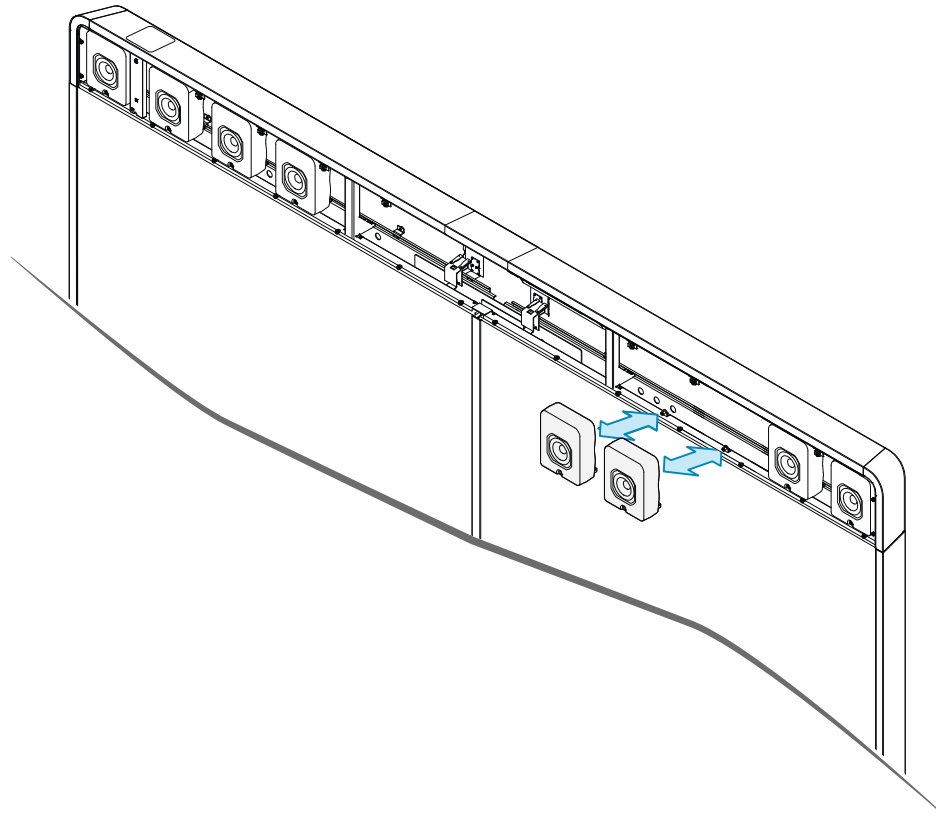
Room 55D, Room 70S, Room 70S G2:

- Remove the first loudspeaker closest to the camera, on the right.

Room 70D and Room 70D G2:

- Remove the two loudspeakers closest to the camera, on the right.

Follow the steps described in [“Replace a loudspeaker \(page 2 of 2\)”](#) on page 13.



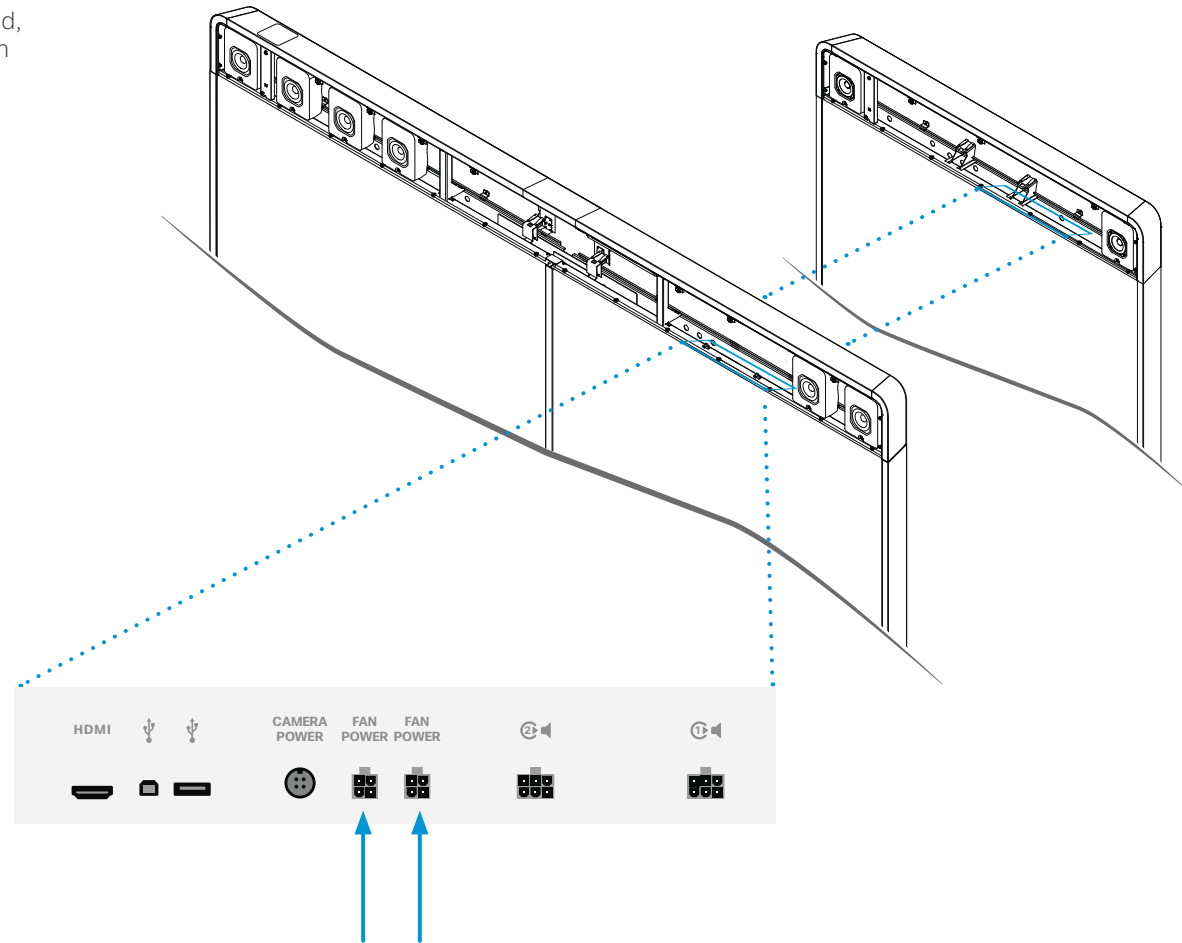
Spare part:

- Fan unit for all systems: FAN-ROOM70-2PK=

Replace the fan unit (page 2 of 3)

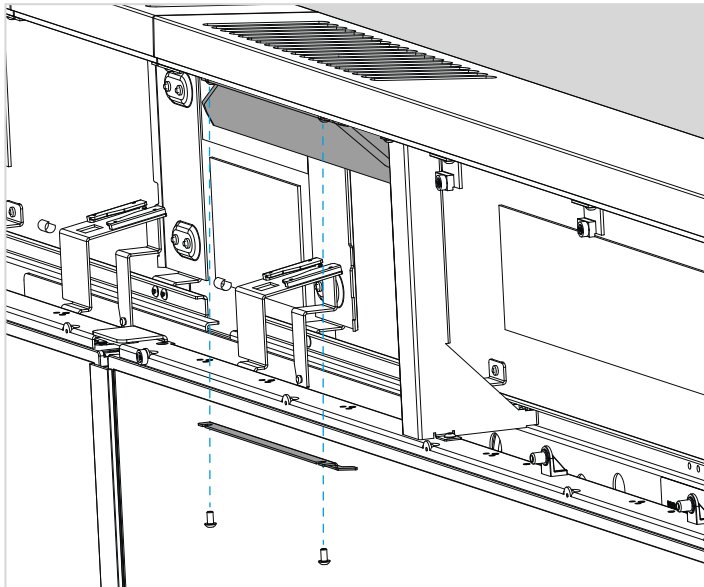
Step 4: Disconnect the two fan power cables

Note the position of the cables behind the support stud, so that you remember where to place the cables when installing the new fan.



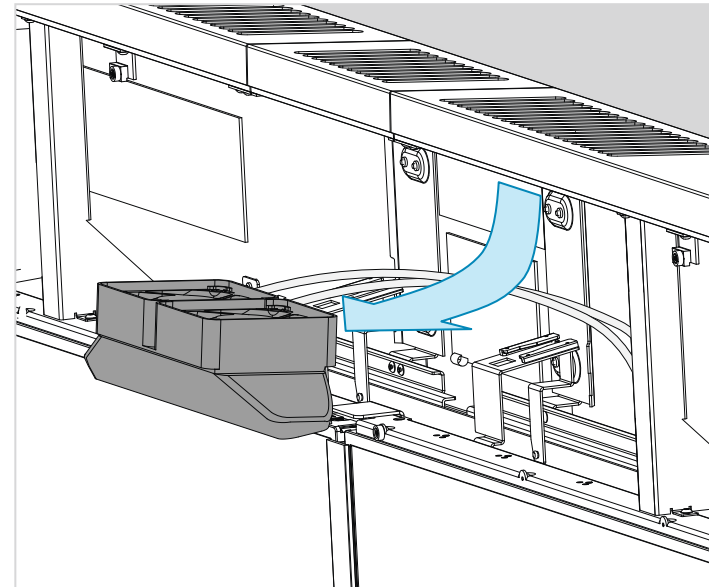
Replace the fan unit (page 3 of 3)

Step 5: Remove the fan unit



- 5a** Remove the bracket that holds the rubber-part of the fan unit. This is the only thing that holds the fan unit in place, so keep a hand on it so that it doesn't fall down.

2 × M4x10 (pan), Hex, 2.5mm



- 5b** Pull out the fan with power cables.

i You may have to cut the cable strip to loosen the cables.

Re-assembly:

In order to install a new fan unit, follow the steps in reversed order.

Replace the antenna modules (page 1 of 4)

There are two antenna modules: one for bluetooth and one for Wi-Fi.

Step 1: Remove speaker grille

Remove the speaker grille as described in [“Replace the textile grilles”](#) on page 7. Leave the lower grille on.

Step 2: Remove the leftmost loudspeakers

Follow the steps described in [“Replace a loudspeaker \(page 2 of 2\)”](#) on page 13.

Room 70S and Room 70S G2:

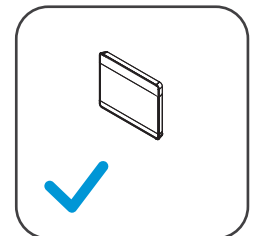
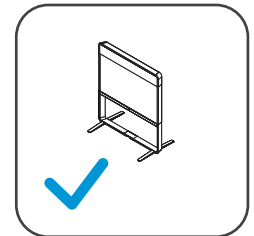
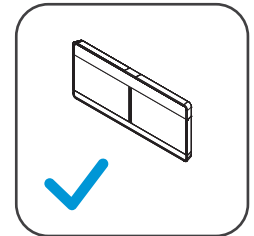
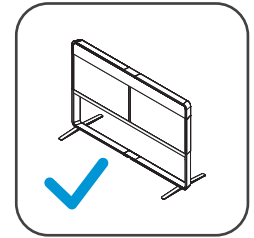
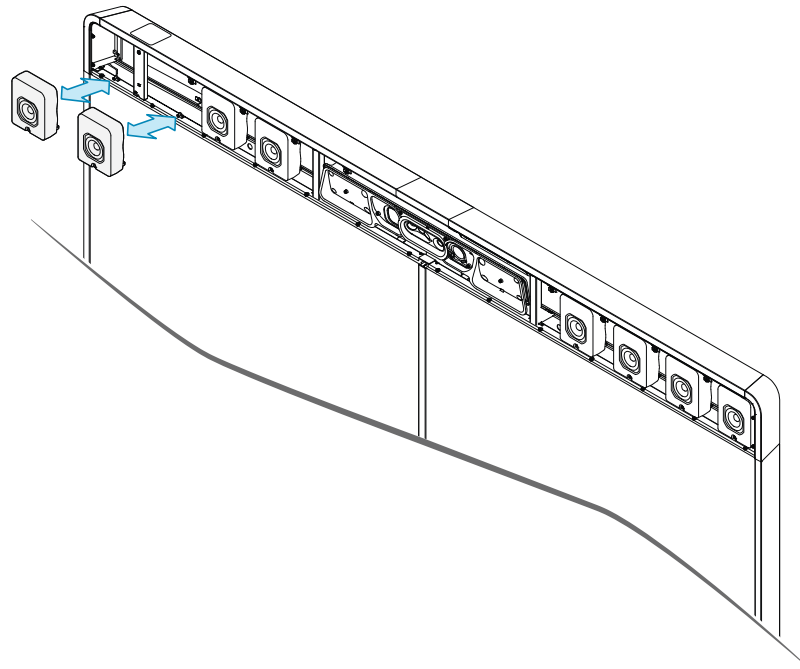
- Remove the leftmost loudspeaker.

Room 55D, Room 70D, and Room 70D G2:

- Remove the two leftmost loudspeakers.

Step 3: Remove left side cover

Remove the left side cover as described in [“Replace the side covers”](#) on page 9.



Spare part:

- Antennas (2x) for all systems: ANT-ROOM70-KIT=

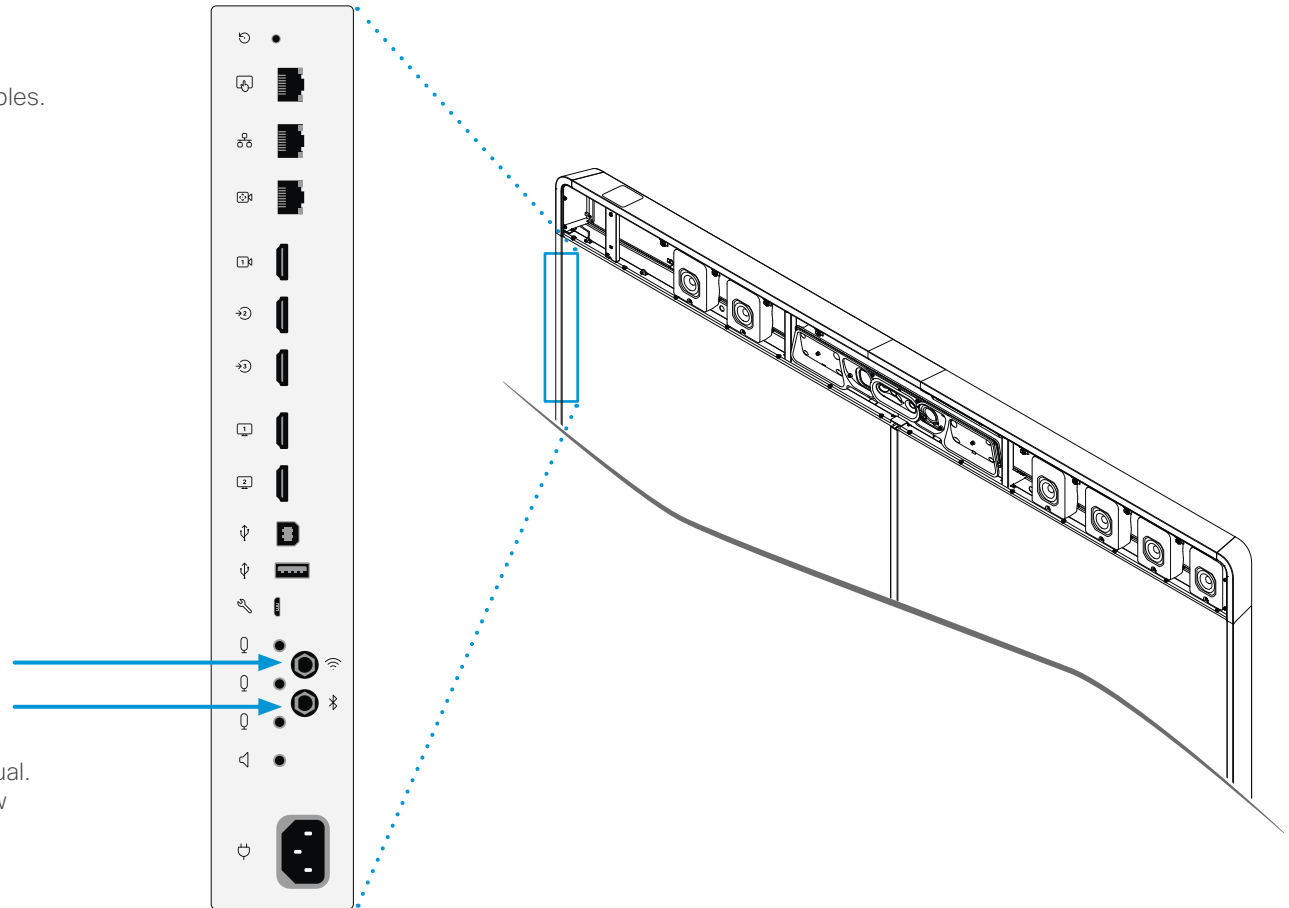
Replace the antenna modules (page 2 of 4)

Step 4: Room 55D, Room 70S, and Room 70D - Disconnect the antennas from the codec

Note how the antennas are guided upward, so that you remember how to place the new antennas.

You may have to cut the cable strip to loosen the cables.

The two antennas (Bluetooth and Wi-Fi) are not equal. Check the labels to make sure you connect the new antennas to the correct sockets on the codec.

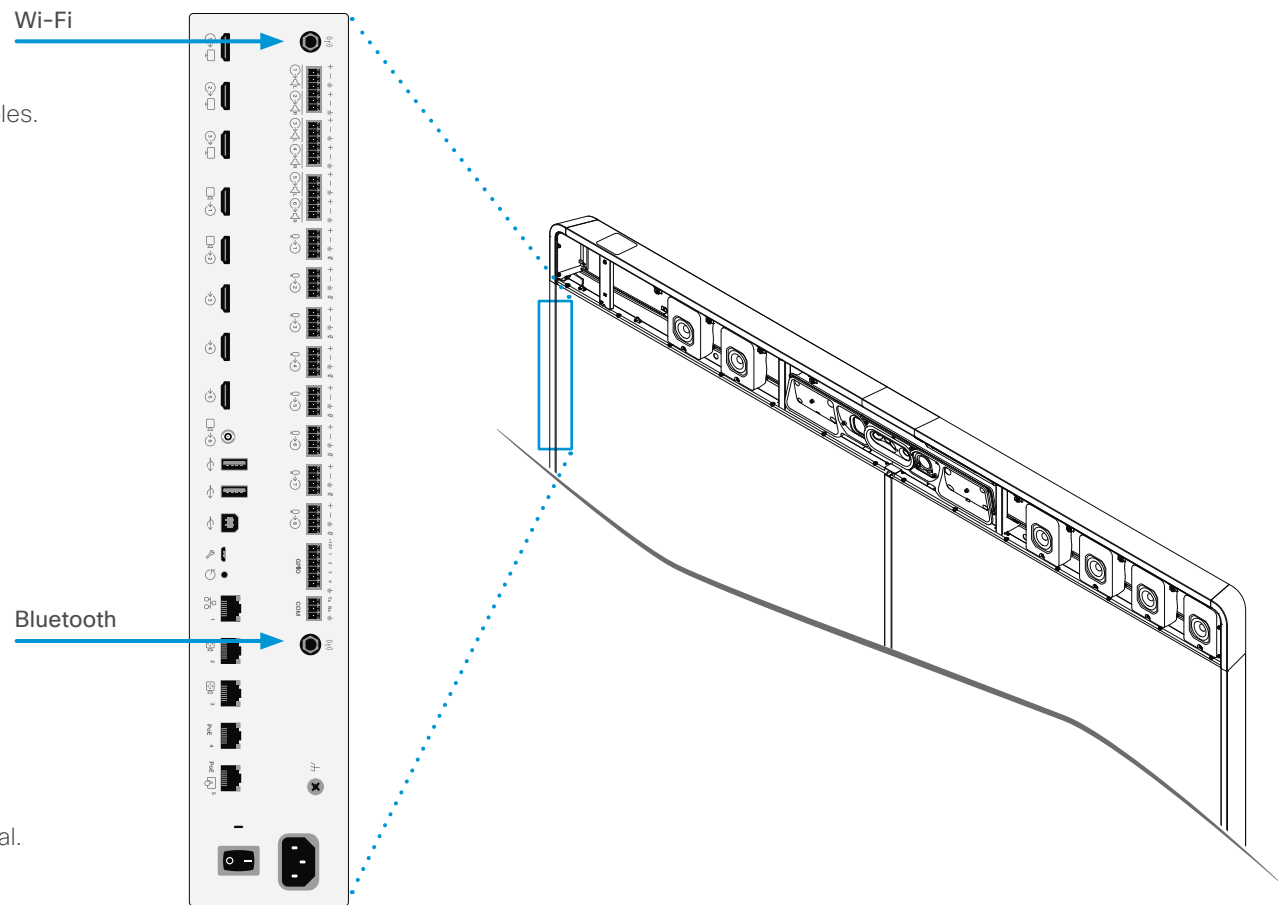


Replace the antenna modules (page 3 of 4)

Step 4: Room 70S G2 and Room 70D G2 - Disconnect the antennas from the codec

Note how the antennas are guided upward, so that you remember how to place the new antennas.

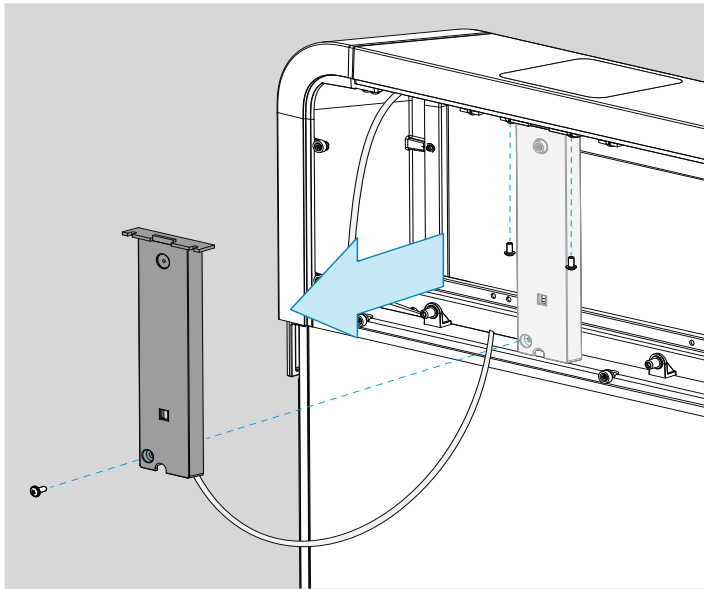
You may have to cut the cable strip to loosen the cables.



The two antennas (Bluetooth and Wi-Fi) are not equal. Check the labels to make sure you connect the new antennas to the correct sockets on the codec.

Replace the antenna modules (page 4 of 4)

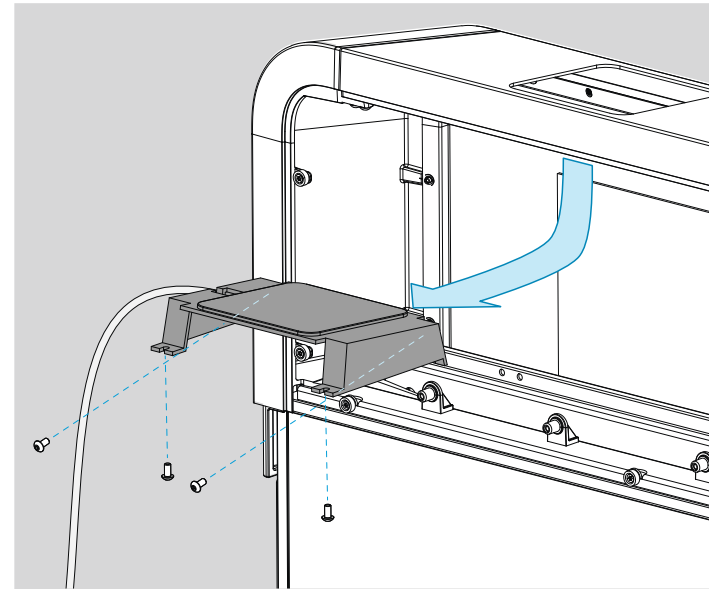
Step 5: Remove the antenna modules



5a Unscrew three screws, and remove the bluetooth antenna module.

2 × M4x10 (pan), Hex, 2.5mm

1 × PT4x10, Torx T20



5b Unscrew four screws, and remove the Wi-Fi antenna module.

4 × M4x10 (pan), Hex, 2.5mm

Re-assembly:

In order to install the new antennas, follow the steps in reversed order.



The two antennas (Bluetooth and Wi-Fi) are not equal. Check the labels to make sure you connect them to the correct socket on the codec.

Codec and screens

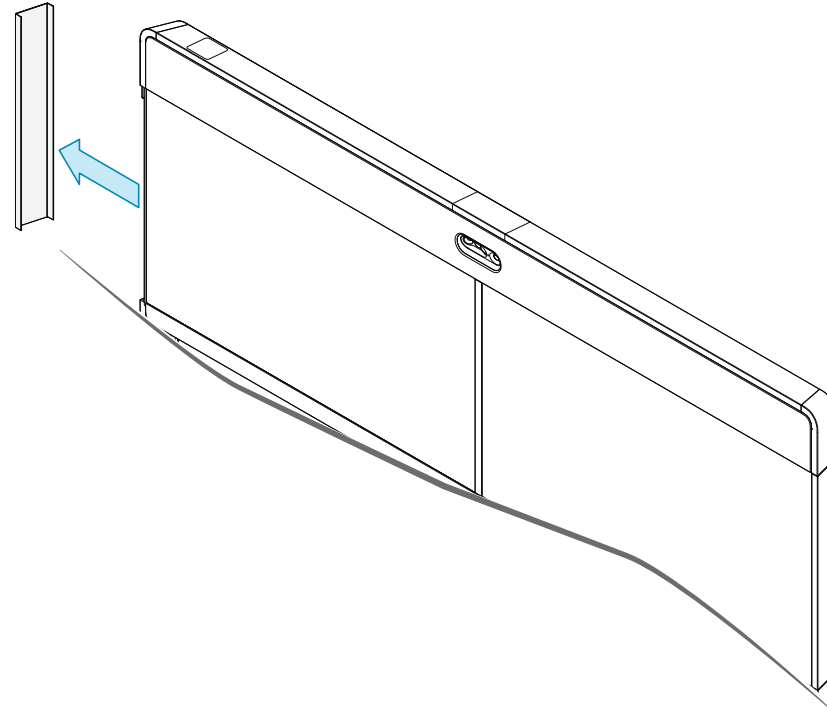
Replace the codec	26
Replace the screen (mounted on a stand)	30
Replace the screen (wall mounted)	37

Replace the codec (page 1 of 4)

Step 1: Remove left side cover

The side cover is fastened with magnets.

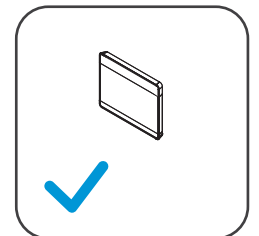
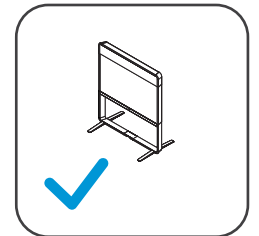
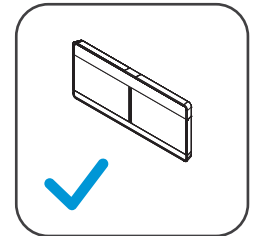
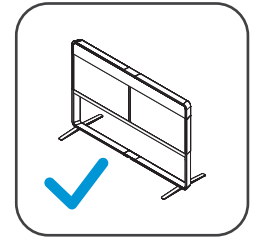
Pull out gently and set aside.



Before proceeding to the next step, make sure to turn off the power.

Spare part:

- Normal codec for Room 55D, Room 70S, and Room 70D: CS-RCODPLUS-K9=
- Normal codec for Room 70S G2 and Room 70D G2: CS-RCODPRO-K9=
- No-radio codec for Room 55D, Room 70S, and Room 70D: CS-RCODPLUS-NR-K9=
- No-radio codec for Room 70S G2 and Room 70D G2: CS-RCODPRO-NR-K9=
- No-radio and no-encryption codec for Room 55D, Room 70S, and Room 70D: CS-RCODPLUS-NR-K7=
- No-radio and no-encryption codec for Room 70S G2 and Room 70D G2: CS-RCODPRO-NR-K7=

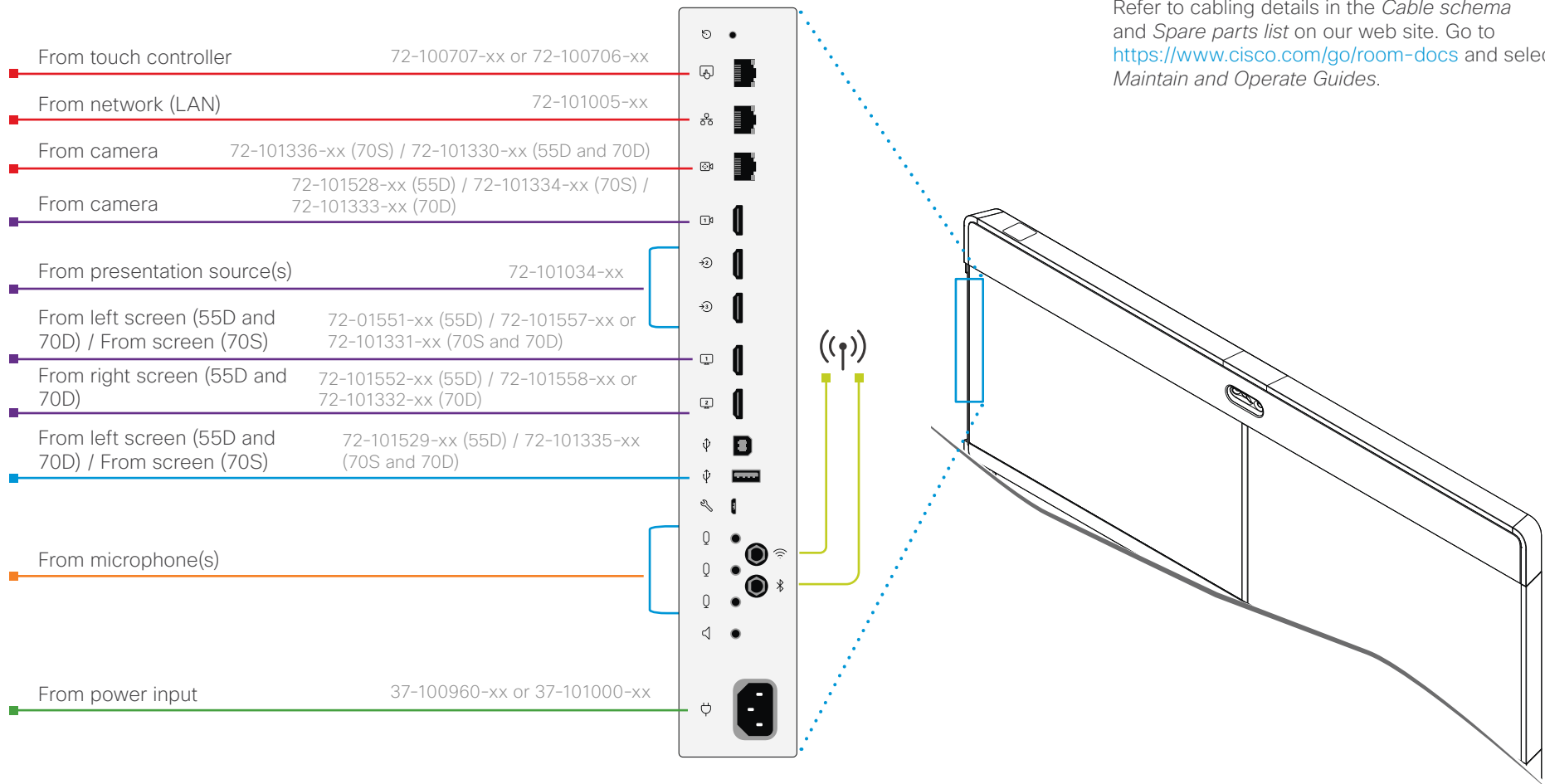


Replace the codec - Room 55D, Room 70S, and Room 70D (page 2 of 4)

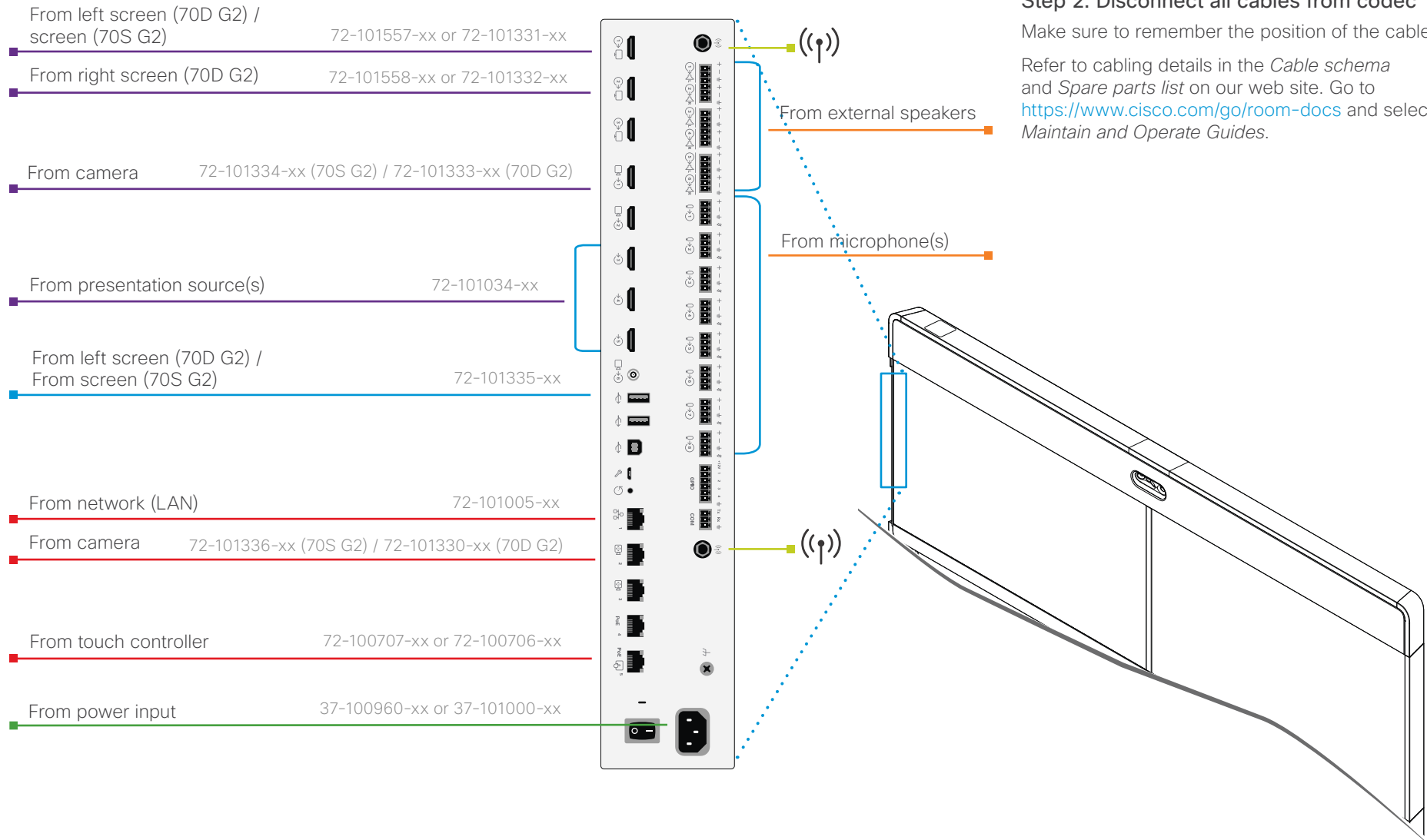
Step 2: Disconnect all cables from codec

Make sure to remember the position of the cables.

Refer to cabling details in the *Cable schema* and *Spare parts list* on our web site. Go to <https://www.cisco.com/go/room-docs> and select *Maintain and Operate Guides*.



Replace the codec - Room 70S G2 and Room 70D G2 (page 3 of 4)




Step 2: Disconnect all cables from codec


Make sure to remember the position of the cables.

Refer to cabling details in the *Cable schema* and *Spare parts list* on our web site. Go to <https://www.cisco.com/go/room-docs> and select *Maintain and Operate Guides*.

Replace the codec (page 4 of 4)

Step 3: Unscrew and pull out the codec

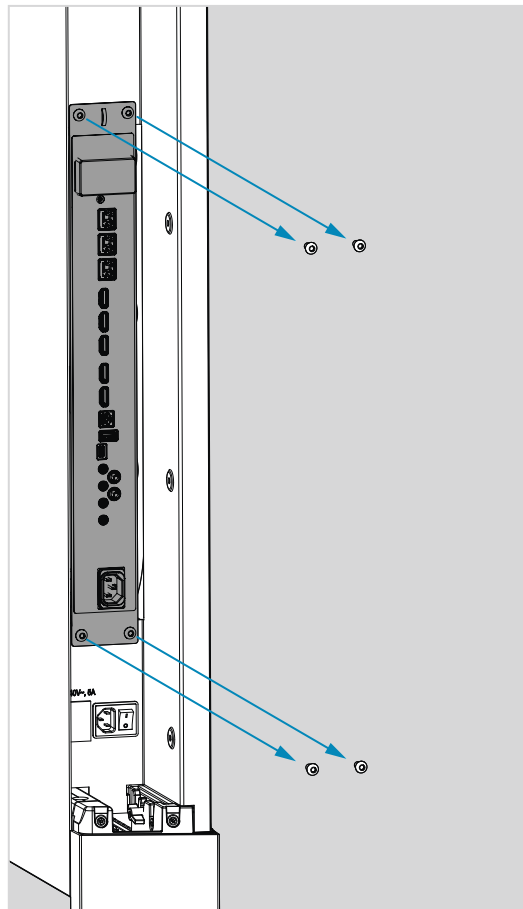
-  4 × M6x12 (pan), Hex, 4 mm

 The procedure is the same for the Codec Pro and the Codec Plus.

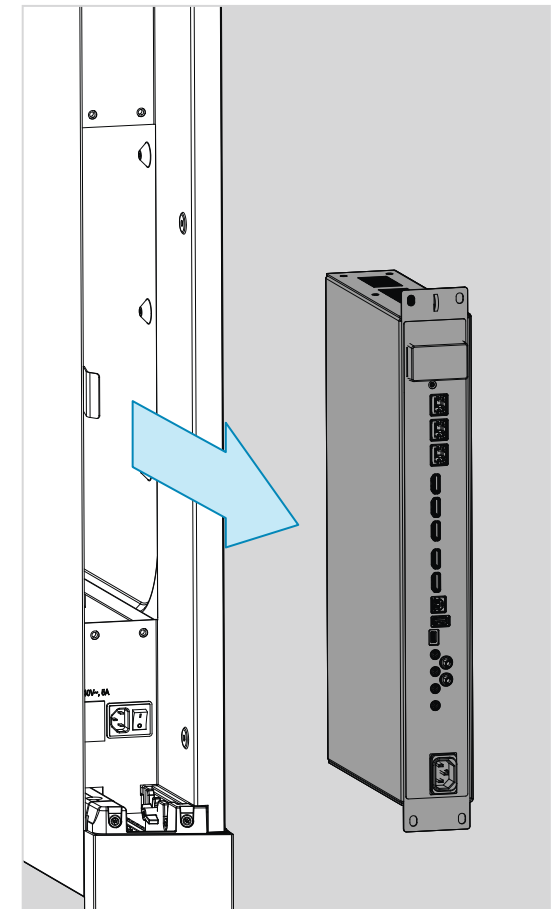
Re-assembly:

In order to install the new codec, follow all the steps in reverse order.

3a



3b



Replace the screen (mounted on a stand) (page 1 of 7)

The illustrations provided show how to replace the right screen of a dual screen system. Similar steps should be taken when replacing the left screen and when replacting the screen of a single screen system.

Step 1: Remove speaker grille and lower grille

Follow the steps described in [“Replace the textile grilles”](#) on page 7.

Step 2: Remove loudspeakers

Remove **all** loudspeakers that are mounted on the screen that you are replacing. Follow the steps described in [“Replace a loudspeaker \(page 2 of 2\)”](#) on page 13.

Step 3: Remove camera

Follow the steps described in [“Replace the camera \(page 2 of 3\)”](#) on page 15.

Step 4: Remove side covers

Remove the side cover(s) from the screen you are replacing. Follow the steps described in [“Replace the side covers”](#) on page 9.

Step 5: Remove codec

Only for Room 55D, Room 70D, and Room 70D G2 *left* screen, and Room 70S and Room 70S G2. Follow the steps described in [“Replace the codec - Room 55D, Room 70S, and Room 70D \(page 2 of 4\)”](#) on page 27 to page 29.

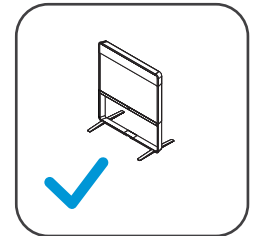
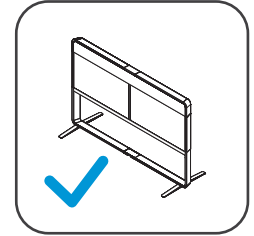
Spare parts:

- Left screen for Room 55D: CS-ROOM55D-MON-L=
- Right screen for Room 55D: CS-ROOM55D-MON-R=
- Screen for Room 70S and Room 70S G2: CS-ROOM70S-MON-S=
- Left screen for Room 70D and Room 70D G2: CS-ROOM70D-MON-L=
- Right screen for Room 70D and Room 70D G2: CS-ROOM70D-MON-R=



84 kg / 185 lb

The screen is heavy. We recommend four people working together to replace the screen.



Step 6: Remove antennas

Only for Room 70S and Room 70S G2, and when replacing the Room 55D, Room 70D, and Room 70D G2 *left* screen.

Follow the steps described in [“Replace the antenna modules \(page 4 of 4\)”](#) on page 24.

Step 7 - Remove rear covers

Only for Room 55D, Room 70D, and room 70D G2. Follow the steps described in [“Replace the center top profile, top rear cover, and rear center cover”](#) on page 10.

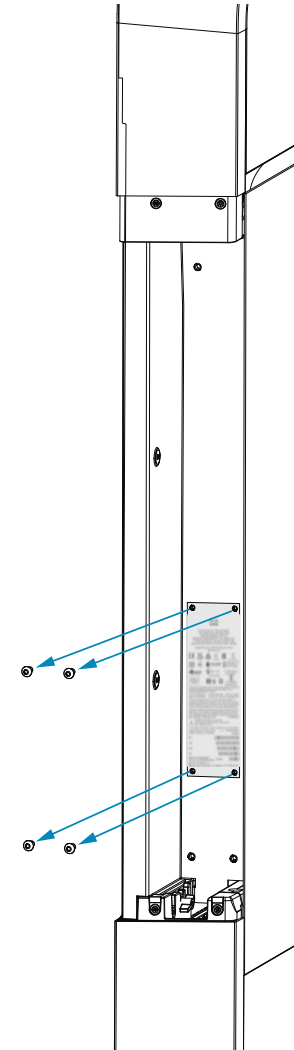
Replace screen (mounted on a stand) (page 2 of 7)

Step 8: Remove the rating label

Applies only for the right screen of the Room 55 Dual.

Remove the 4 screws with a Torx T10.

Keep the rating label as you will have to insert it later on your new screen.



Replace screen (mounted on a stand) (page 3 of 7)

Step 9: Remove all cables

Only remove cables for the screen that you are replacing.

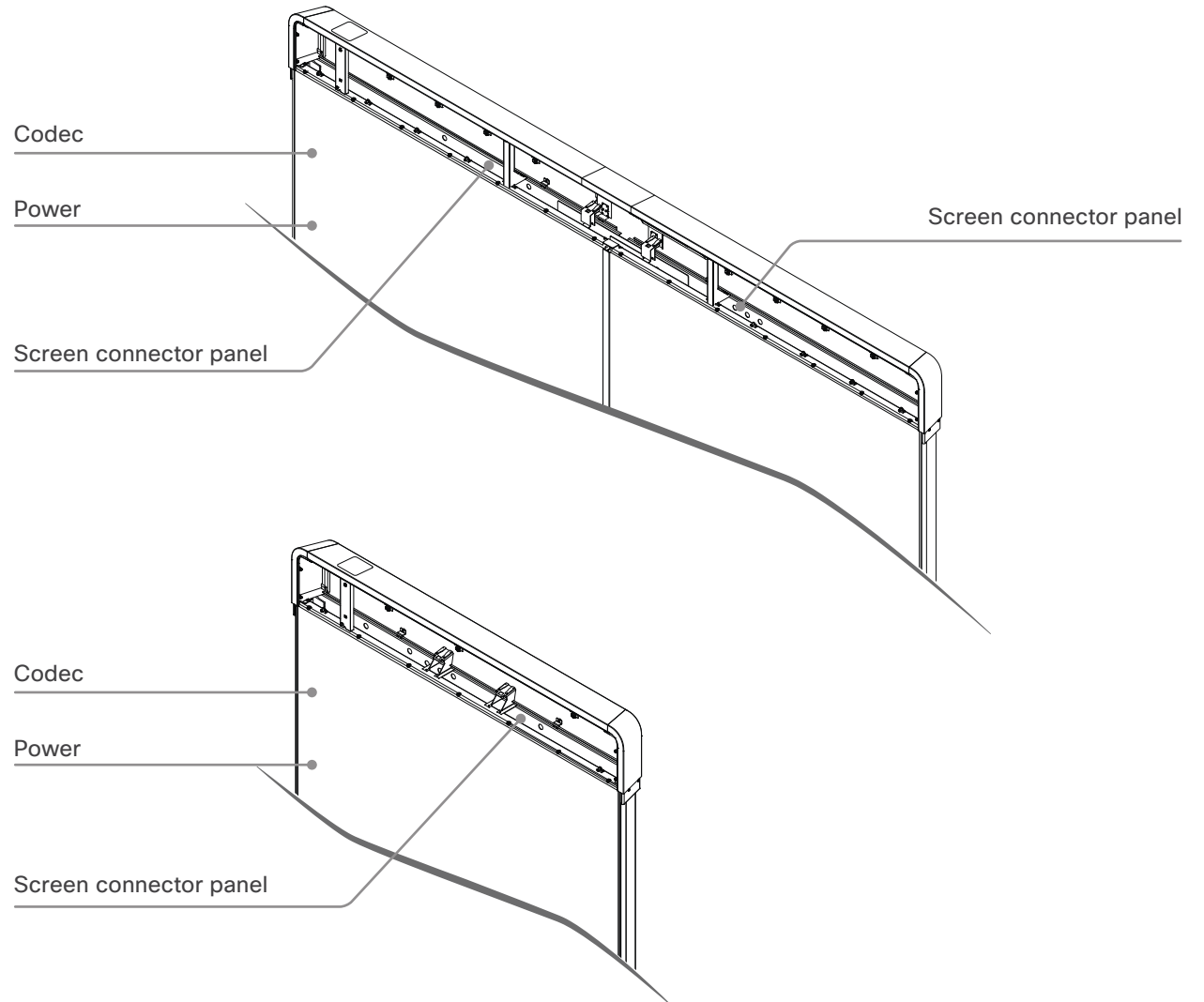
The fan module, including power cables for the fans, is included in the spare screen for Room 70S, Room 70S G2, and the spare right screen for Room 55D, Room 70D, and Room 7D G2. Therefore you don't have to remove the old fan module when replacing those screens.



All the other cables that were shipped with the system remain in your property and should not be returned to the supplier.

You will not receive new cables with the replacement part.

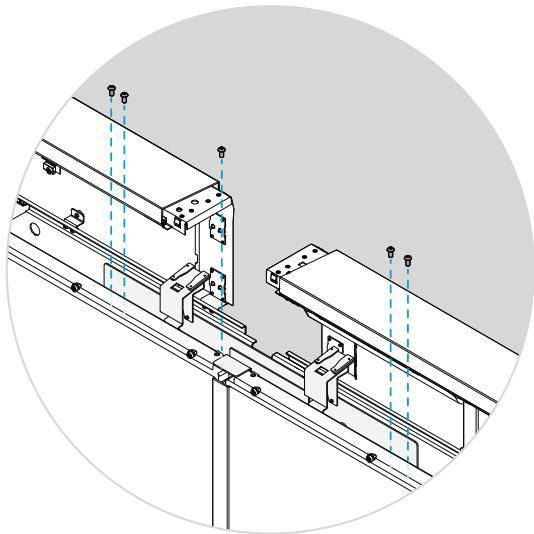
For reconnecting the cables, refer to cabling details in the *Cable schema* and *Spare parts list* on our web site. Go to <https://www.cisco.com/go/room-docs> and select *Maintain and Operate Guides*.




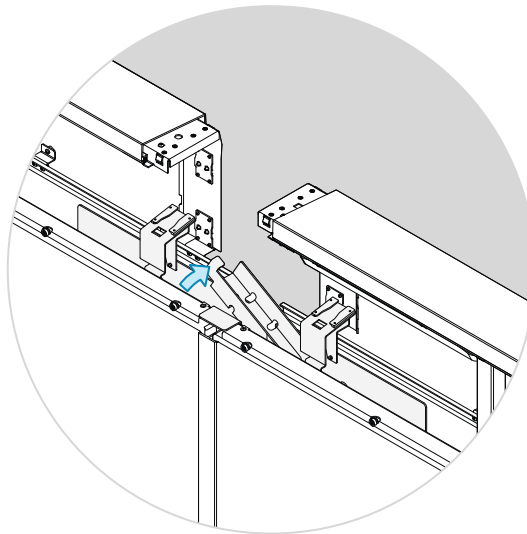
Replace screen (mounted on a stand) (page 4 of 7)

Step 10 - Remove joining bracket

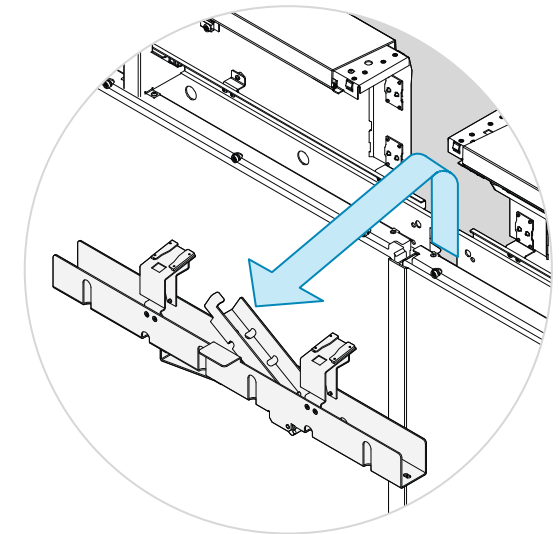
Only for Room 55D, Room 70D, and Room 70D G2



10a Remove the screws
 5 × M6x12 (pan)



10b Pull up the lever.



10c Remove the joining bracket from the channel.

Replace screen (mounted on a stand) (page 5 of 7)

Step 11: Remove screen screws and disconnect power cable



Secure the screen

We recommend four people working together to replace the screen. At least two people must hold the screen.

11a



Unscrew the four M6x12 screws (countersunk) on the front of each side.

Use an Allen key, 4 mm

11b



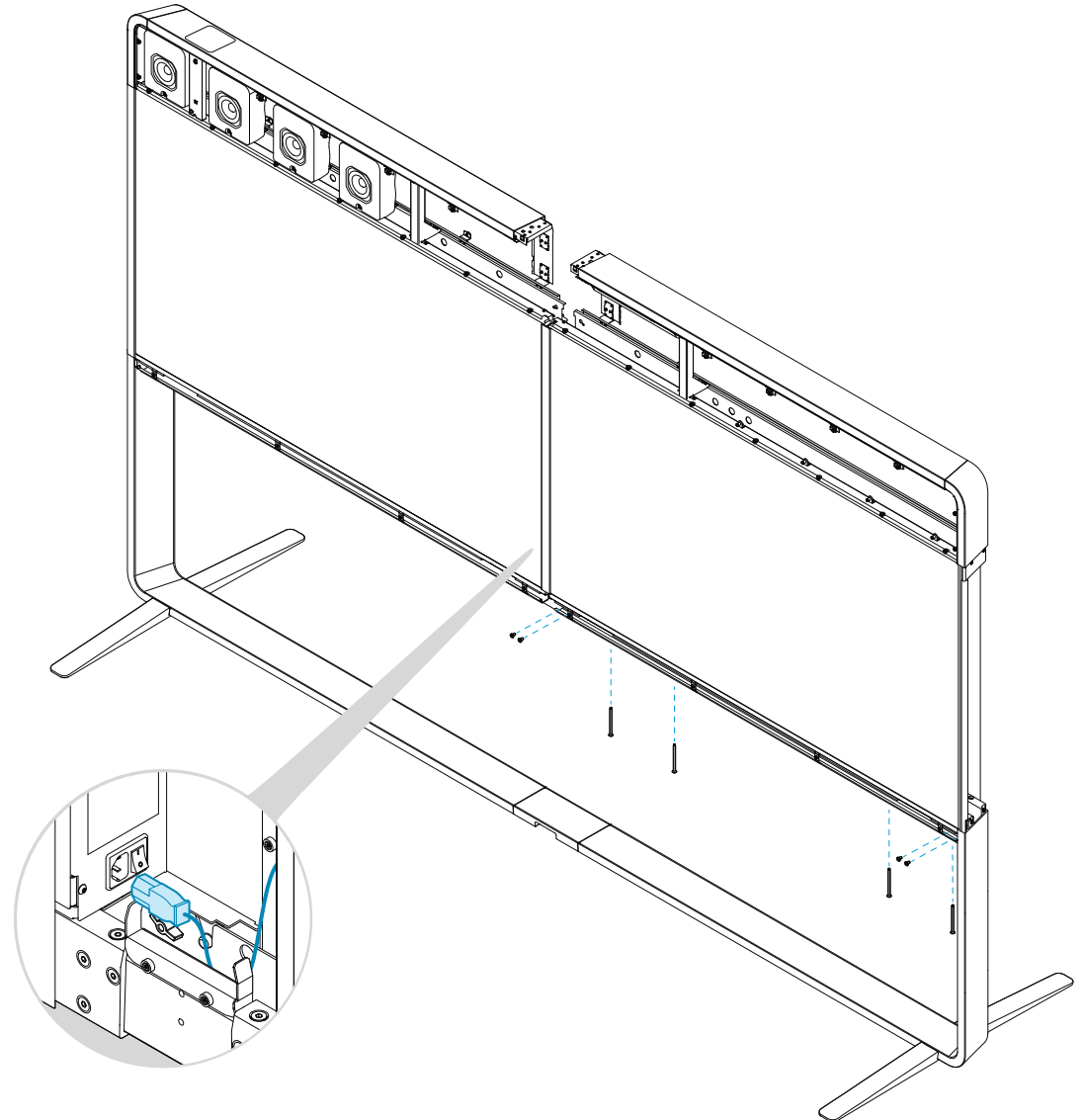
Unscrew the four M6x90 screws (countersunk), underneath each side.

Use an Allen key, 4 mm

11c

Only for Room 55D, Room 70D, and Room 70D G2

You must reach the cable from below in order to disconnect the power cable between the screens if the system is close to the wall.



Replace screen (mounted on a stand) (page 6 of 7)

Step 12: Lift screen



The screen is heavy

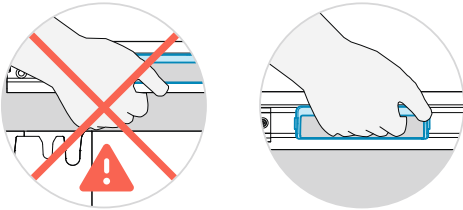
We recommend four people working together to replace the screen.

At least two people should lift the screen using the lifting handles as described below; the other people must help stabilizing the screen.



Use the lifting handles to avoid trapping your fingers

There are four handles at the bottom of the screen.



Plan ahead where to put down the screen

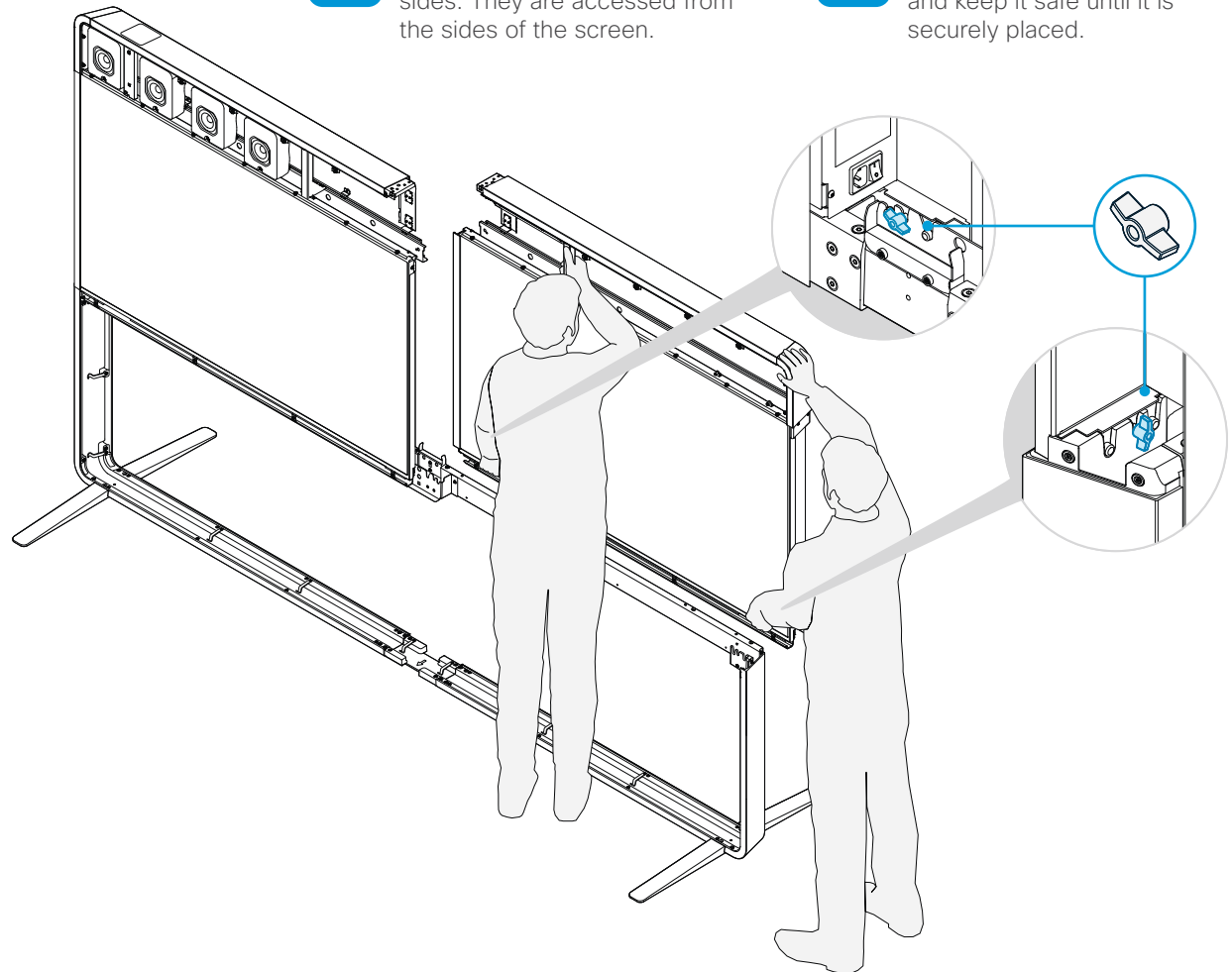
Ideally, place it in the original shipping packaging.

12a

Loosen the wing nuts on both sides. They are accessed from the sides of the screen.

12b

Lift the screen off the frame, and keep it safe until it is securely placed.



Replace screen (mounted on a stand) (page 7 of 7)

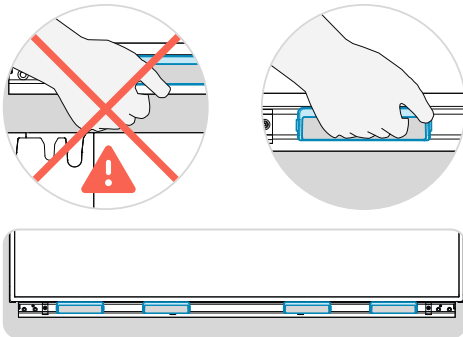
Re-assembly:

In order to install the new screen, follow all the steps in reverse order.

Make special note of the following:

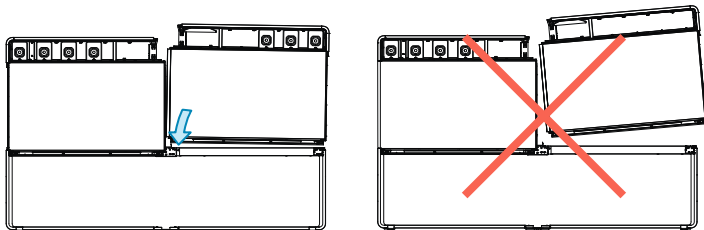
Always use the lifting handles to avoid trapping your fingers

There are four handles at the bottom of the screen.

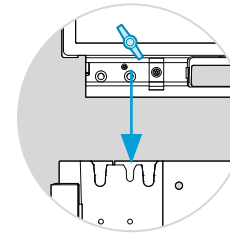


Lift the 2nd screen in place (only for Room 55D, Room 70D, and Room 7D G2)

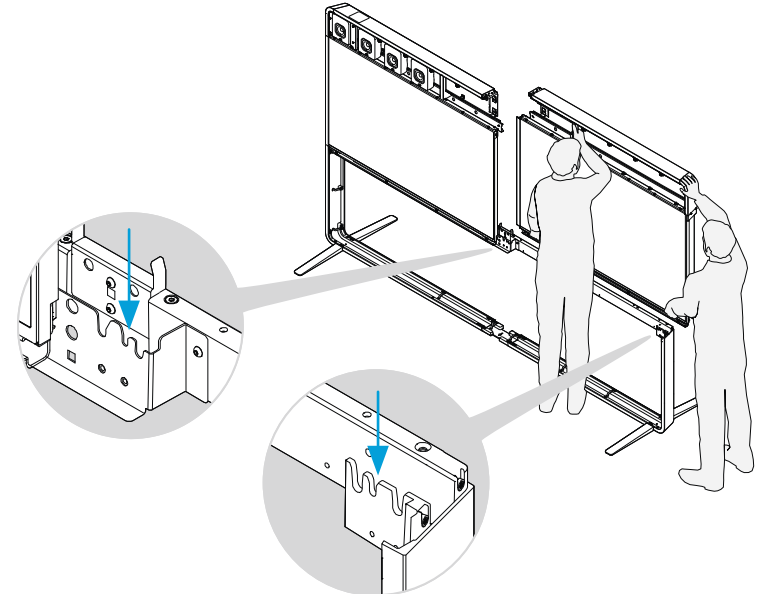
When placing the screen onto the stand, lower the screen as horizontal as possible. The inner side must not be lowered first.



Make sure the wing nut screws fully enter the center slots.



Look in from the sides of the screen to see the wing nut screws. The wing nut screws must enter the center slot on both sides of the screen



Replace the screen (wall mounted) (page 1 of 12)

The illustrations provided show how to replace the right screen of a dual screen system. The same steps should be taken when replacing the left screen and when replacing the screen of a single screen.

Step 1: Remove speaker grille and lower grille

Follow the steps described in [“Replace the textile grilles”](#) on page 7.

Step 2: Remove loudspeakers

Note that you have to remove **all** loudspeakers that are mounted on the screen that you are replacing. Follow the steps described in [“Replace a loudspeaker \(page 2 of 2\)”](#) on page 13.

Step 3: Remove camera

Follow the steps described in [“Replace the camera \(page 2 of 3\)”](#) on page 15.

Step 4: Remove side covers

Only remove the side cover(s) from the screen you are replacing. Follow the steps described in [“Replace the side covers”](#) on page 9.

Step 5: Remove codec

Only for Room 55D, Room 70D, and Room 70D G2 left screen and Room 70S, and Room 70S G2. Follow the steps described in [“Replace the codec - Room 55D, Room 70S, and Room 70D \(page 2 of 4\)”](#) on page 27 to page 29.

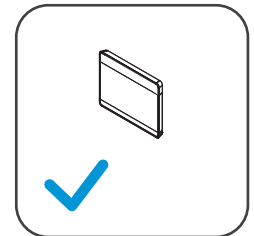
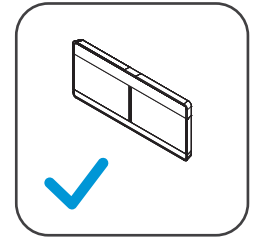
Spare parts:

- Screen for Room 70S and Room 70S G2: CS-ROOM70S-MON-S=
- Left screen for Room 70D and Room 70D G2: CS-ROOM70D-MON-L=
- Right screen for Room 70D and Room 70D G2: CS-ROOM70D-MON-R=
- Left screen for Room 55D: CS-ROOM55D-MON-L=
- Right screen for Room 55D: CS-ROOM55D-MON-R=



84 kg / 185 lb

The screen is heavy. We recommend four people working together to replace the screen.



Step 6: Remove antennas

Only for Room 70S and Room 70S G2, and when replacing the Room 55D, Room 70D, and Room 70D G2 *left* screen. Follow the steps described in [“Replace the antenna modules \(page 4 of 4\)”](#) on page 24.

Step 7 - Remove center covers

Only for Room 55D, Room 70D, and Room 70D G2. Follow the steps described in [“Replace the center top profile, top rear cover, and rear center cover”](#) on page 10.

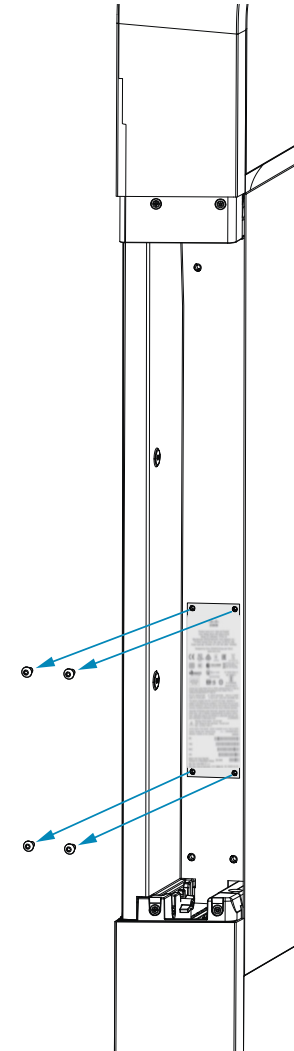
Replace screen (wall mounted) (page 2 of 12)

Step 8: Remove the rating label

Applies only for the right screen of the Room 55 Dual.

Remove the 4 screws with a Torx T10.


Keep the rating label as you will have to insert it later on your new screen.

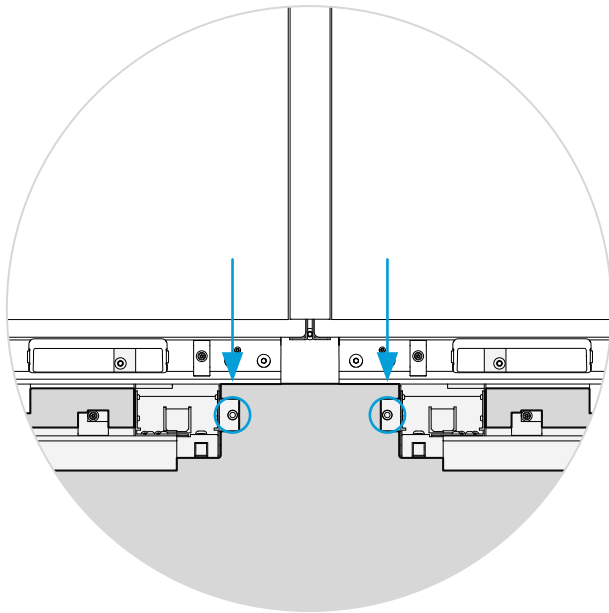


Replace screen (wall mounted) (page 3 of 12)

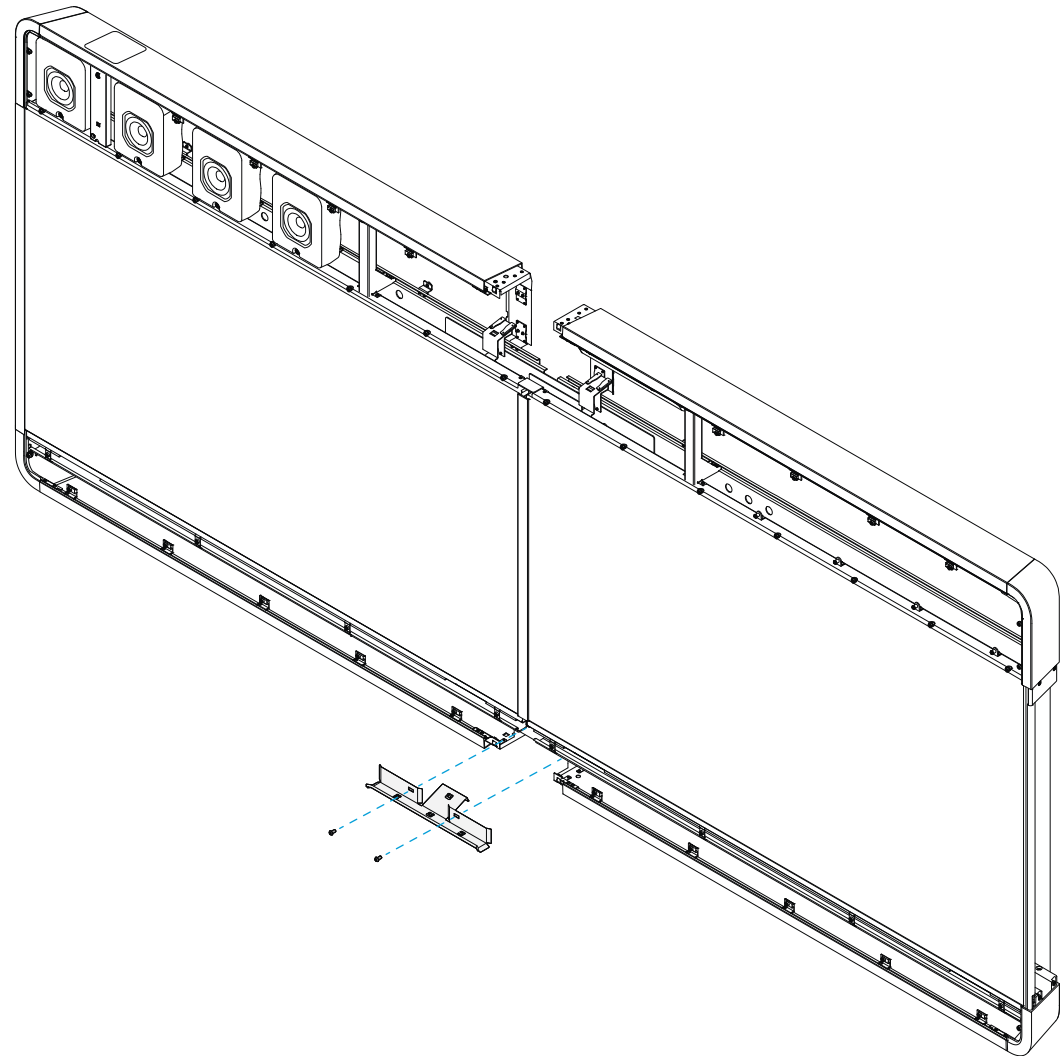
Step 9: Remove cable bridge

Only for Room 55D, Room 70D, and Room 70D G2

 2 × M6x12 (pan) - Hex 4 mm



Screw positions. Front view without cable bridge



Replace screen (wall mounted) (page 4 of 12)

Step 10 - Remove the lower profile

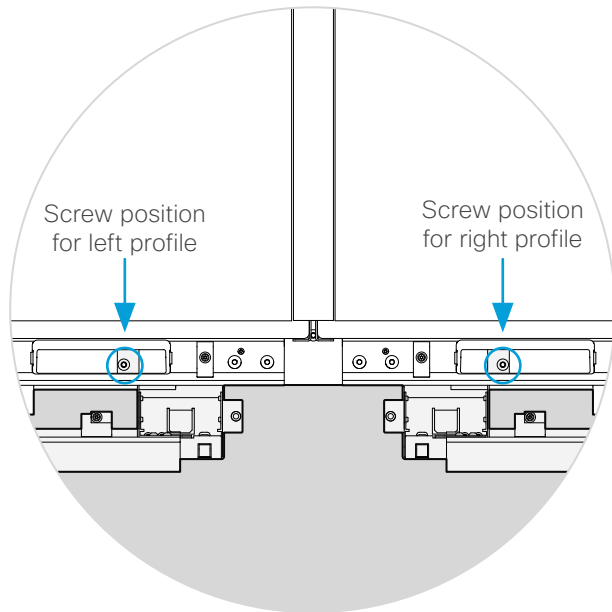
Room 70S and Room 70S G2:

- The profile rest on the bottom frame on both sides, so you just have to lift it off.

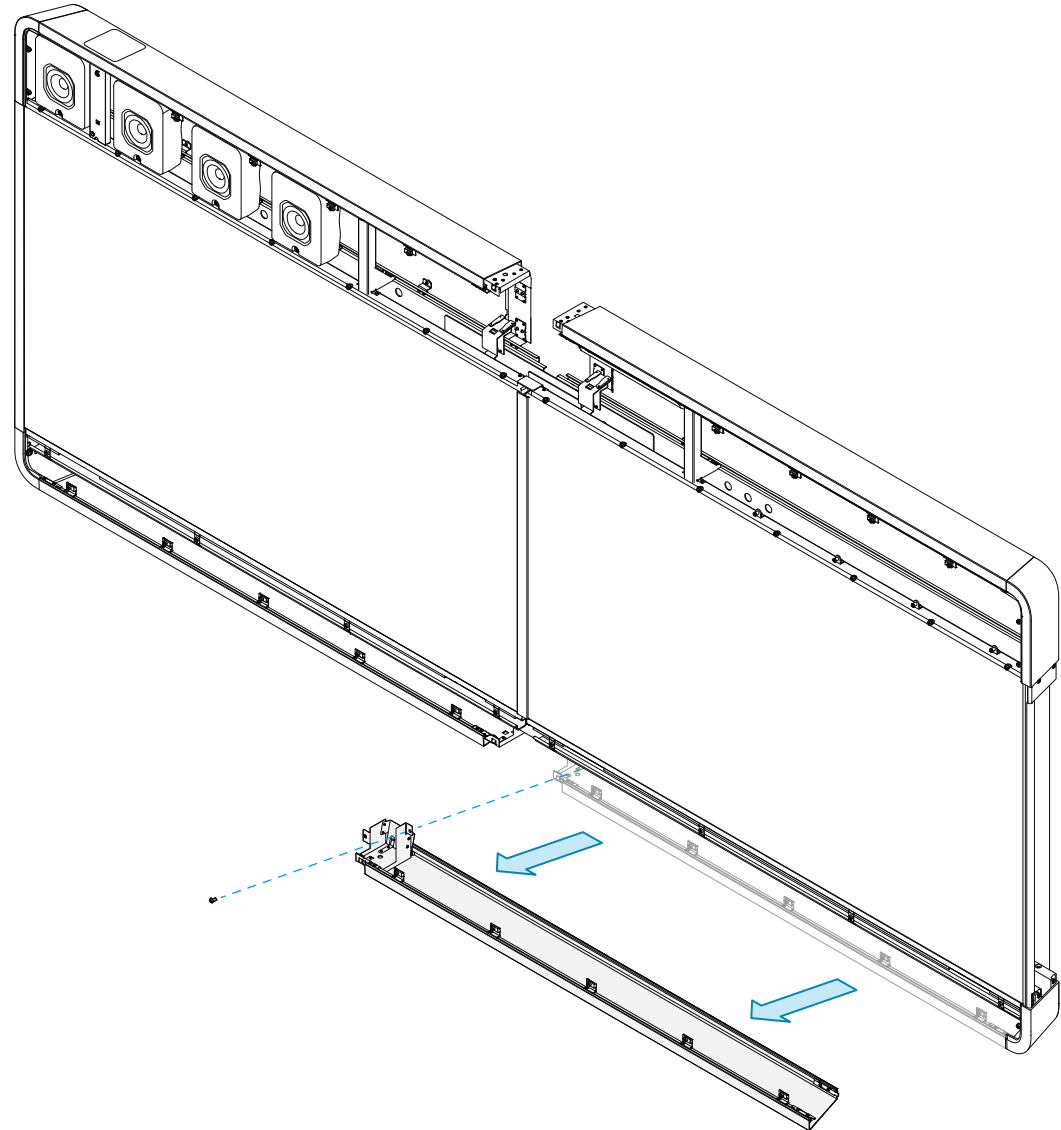
Room 55D, Room 70D, and Room 70D G2:

- The profiles rest on the bottom frame on the outer side, and is fastened with a screw close to the center (see illustration). Hold the cover in place while you remove the screw.

 M6x12 (pan), Hex 4mm



Front view



Replace screen (wall mounted) (page 5 of 12)

Step 11: Remove all cables

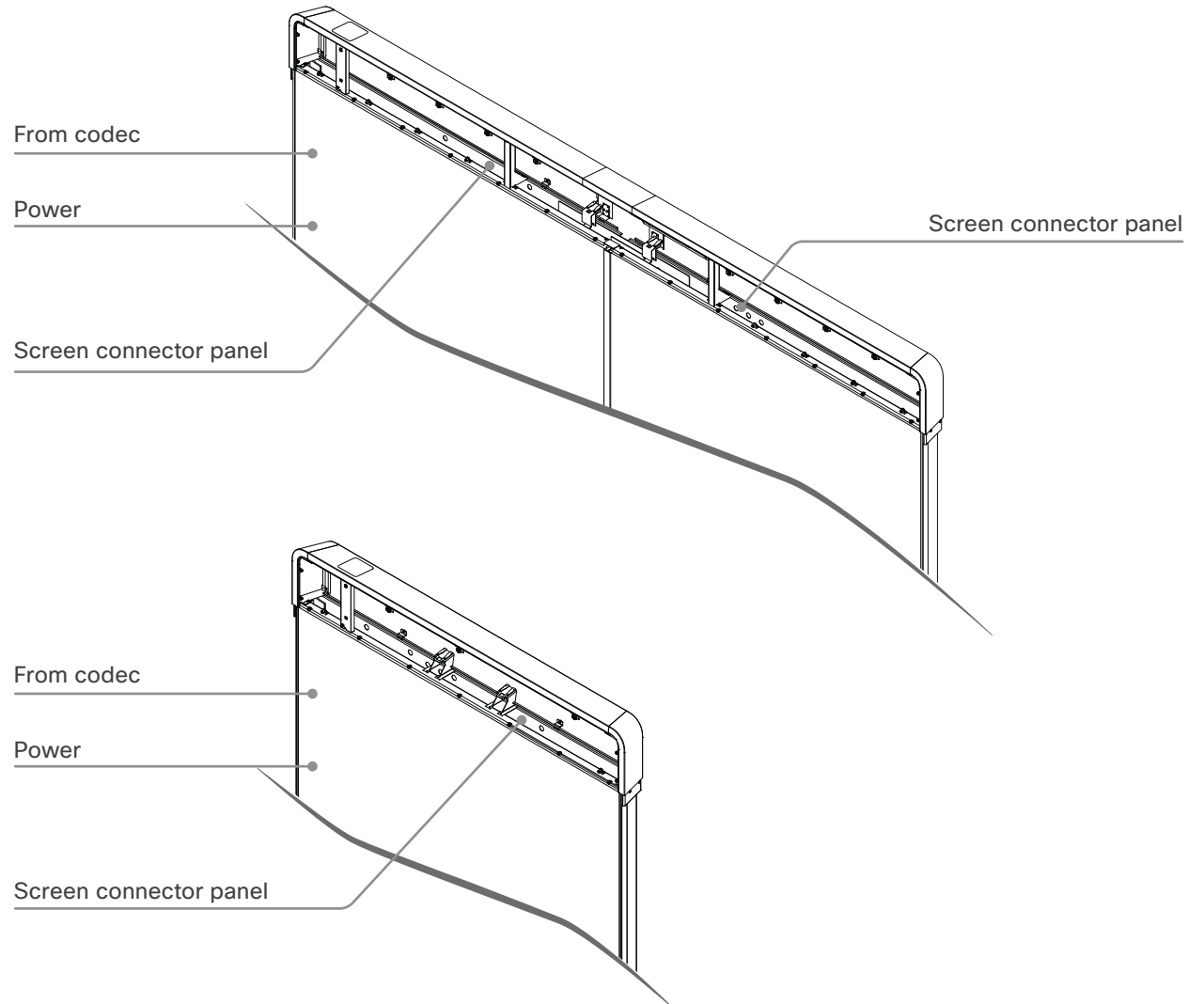
Only remove cables for the screen that you are replacing.

The fan unit, including the power cables for the fans, is included in the spare screen for Room 70S and Room 70S G2, and the spare right screen for Room 70D, Room 70D G2, and Room 55D. Therefore, you do not need to remove the old fan unit when replacing a screen.

i All the other cables that were shipped with the system remain in your property and should not be returned to the supplier.

You will not receive new cables with the replacement part.

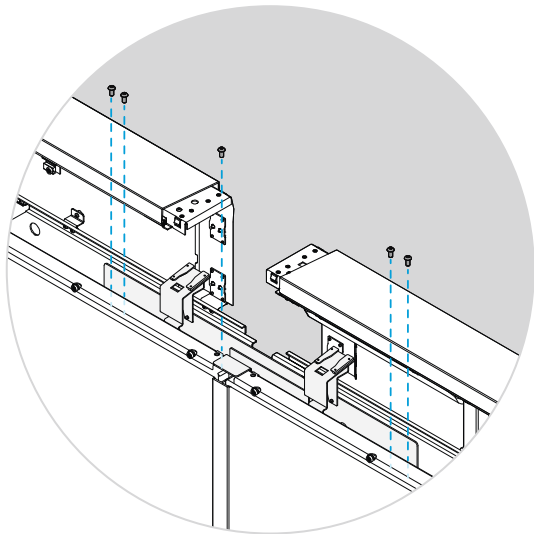
For reconnecting the cables, refer to cabling details in the *Cable schema* and *Spare parts list* on our web site. Go to <https://www.cisco.com/go/room-docs> and select *Maintain and Operate Guides*.



Replace screen (wall mounted) (page 6 of 12)

Step 12: Remove joining bracket

Only for Room 55D, Room 70D, and Room 70D G2

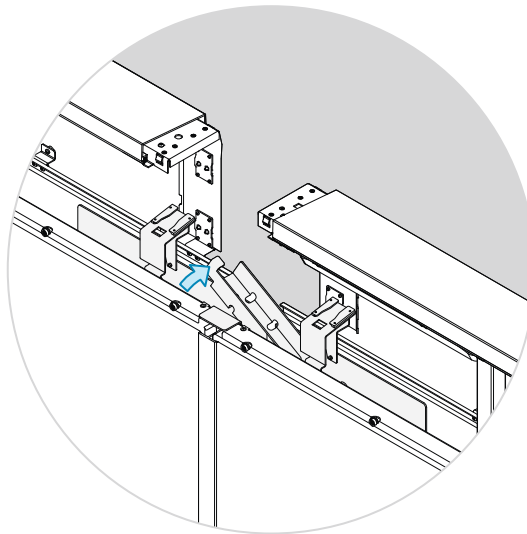


11a

Remove the screws

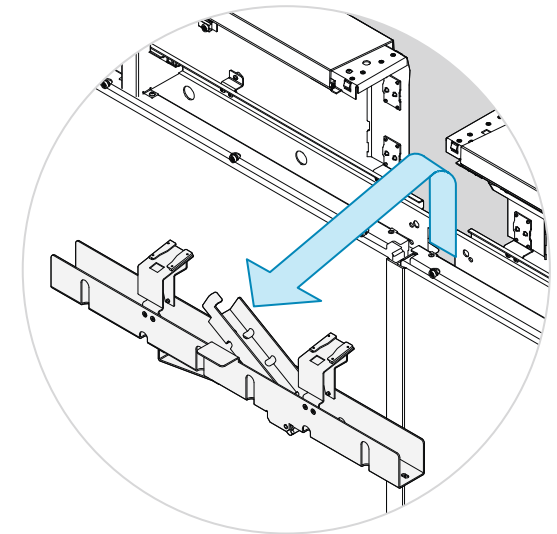


5 × M6x12 (pan)



11b

Pull up the lever.



11c

Remove the joining bracket from the channel.

Replace screen (wall mounted) (page 7 of 12)

Step 13: Remove the screen screws and the security bracket, and disconnect the power cable



Secure the screen

We recommend four people working together to replace the screen. At least two people must hold the screen.

13a



Unscrew the four M6x12 screws (countersunk), on the front of each side.

Use an Allen key, 4 mm

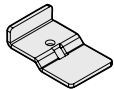
13b



Unscrew the two M6x90 screws (countersunk) underneath each side.

Use an Allen key, 4 mm

13c



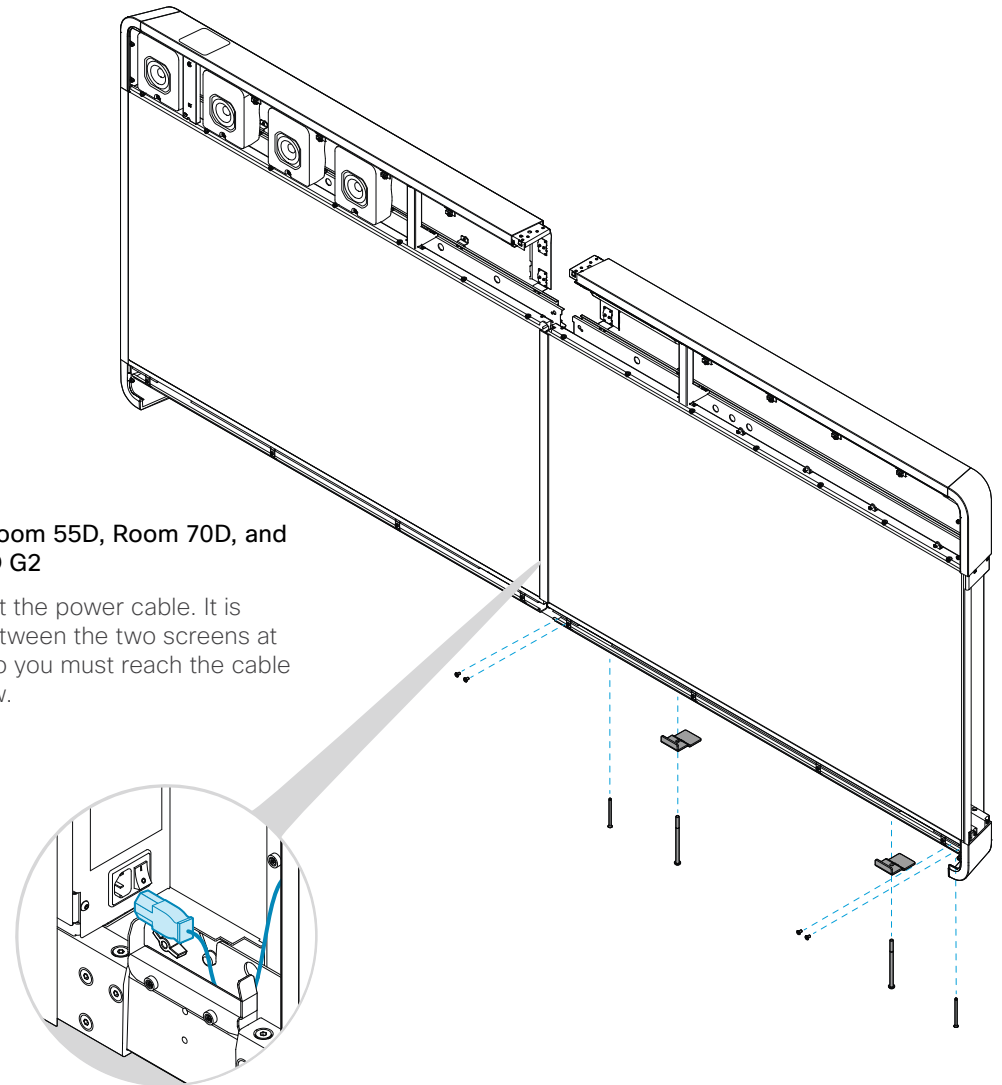
Unscrew the two M6x100 screws (pan), from underneath as illustrated, and remove the two security brackets.

Use an Allen key, 4 mm

13d

Only for Room 55D, Room 70D, and Room 70D G2

Disconnect the power cable. It is located between the two screens at the rear, so you must reach the cable from below.



Replace screen (wall mounted) (page 8 of 12)

Step 14: Lift screen



The screen is heavy

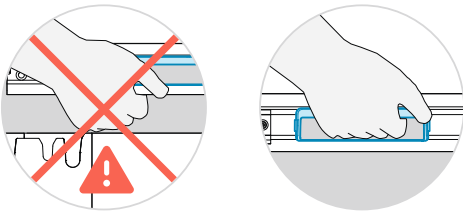
We recommend four people working together to replace the screen.

At least two people should lift the screen using the lifting handles as described below; the other people must help stabilizing the screen.



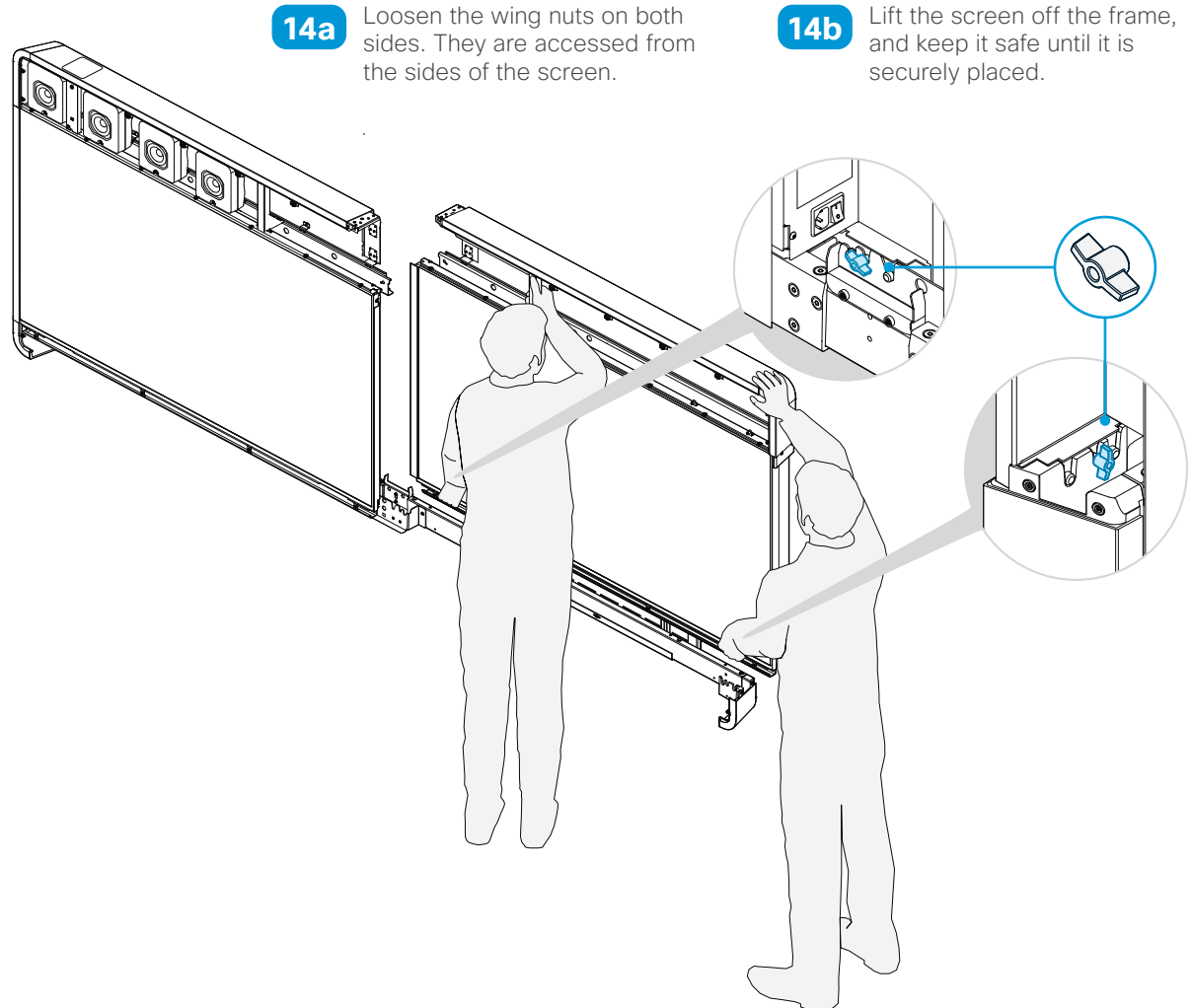
Use the lifting handles to avoid trapping your fingers

There are four handles at the bottom of the screen.



Plan ahead where to put down the screen

Ideally, place it in the original shipping packaging.



14a

Loosen the wing nuts on both sides. They are accessed from the sides of the screen.

14b

Lift the screen off the frame, and keep it safe until it is securely placed.

Replace screen (wall mounted) (page 9 of 12)

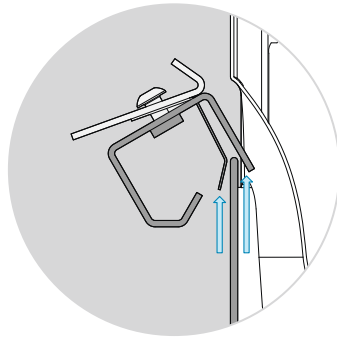
Step 15: Move the clamp at the rear side to the new screen (page 1 of 2)

15a Make sure that the old screen is placed securely, so that it doesn't fall over when you perform the next steps.

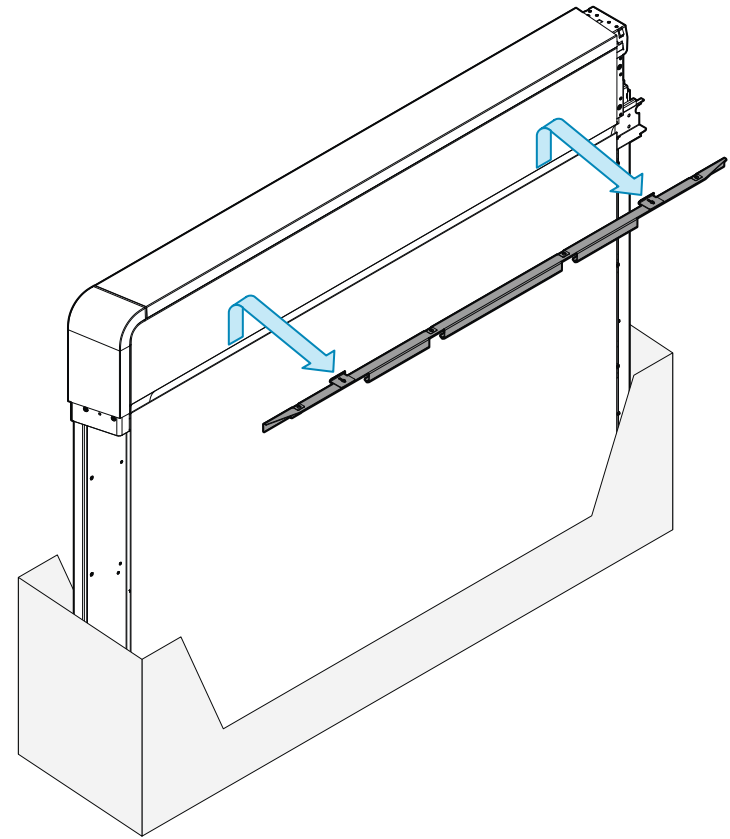


15b Loosen the screws that fasten the clamp. Do not remove the screws.

Use an Allen key 2.5 mm.

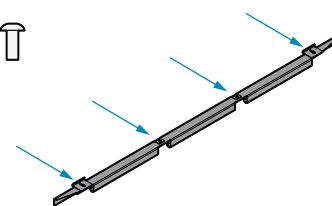


15c Gently loosen the clamp from all mounting points and then remove the clamp.



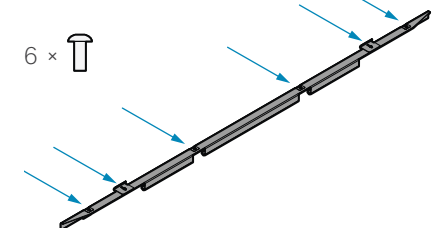
Room 55 Dual

4 × 



Room 70D and Room 70D G2

6 × 

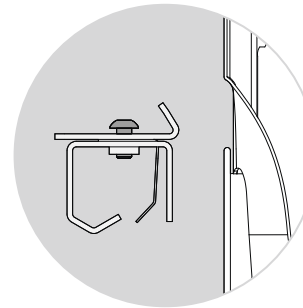
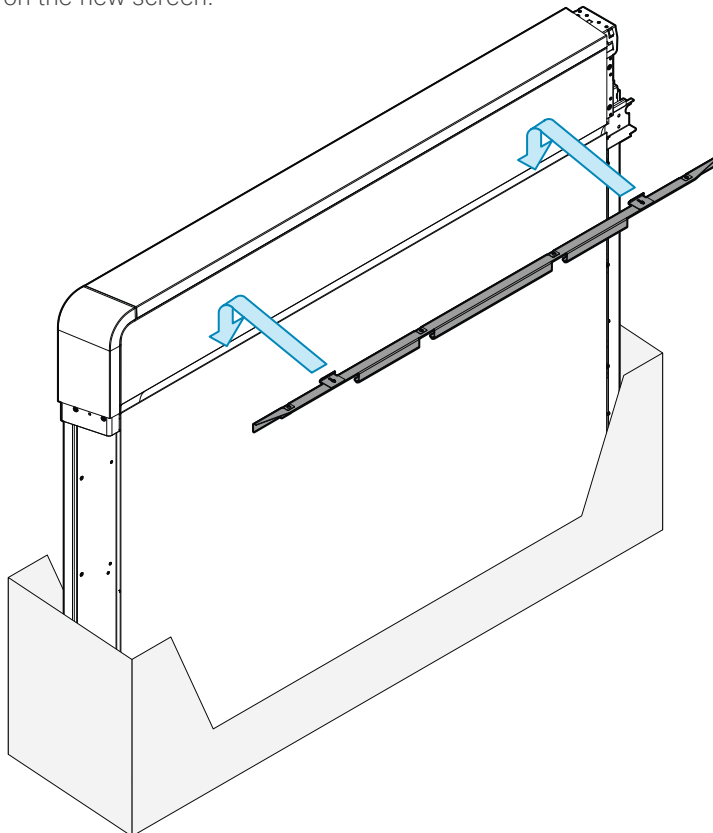


Replace screen (wall mounted) (page 10 of 12)

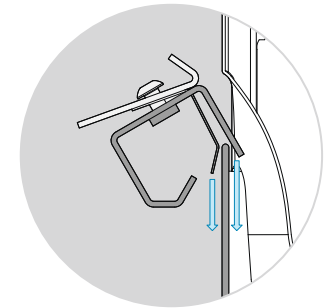
Step 15: Move the clamp at the rear side to the new screen (page 2 of 2)

15d Unpack the new screen, but leave it standing in the tray while you work with the clamp.

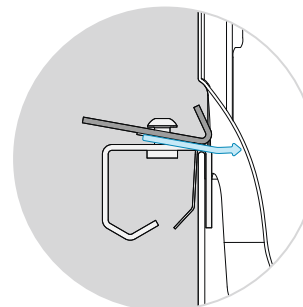
Steps 14e to 14h shows how to mount the clamp on the new screen.



15e Make sure the screws are loosened, but not removed.



15f Gently put the clamp in place, making sure that all the clips enter the back plate.



15g Slide the brackets tight against the back of the screen.



15h Tighten the screws and check that the clamp is securely fastened.

Replace screen (wall mounted) (page 11 of 12)

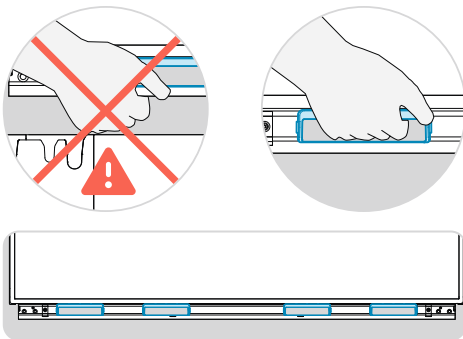
Re-assembly:

In order to install the new screen, follow all the steps in reverse order.

Make special note of the following:

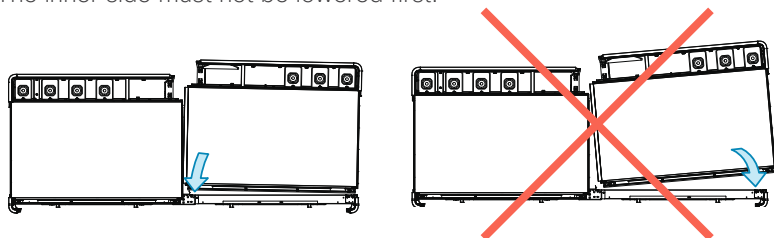
Always use the lifting handles to avoid trapping your fingers

There are four handles at the bottom of the screen.

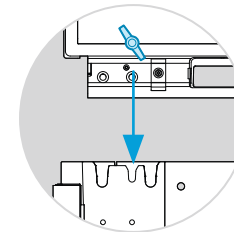


Lift the 2nd screen in place (only for Room 55D, Room 70D, and Room 70D G2)

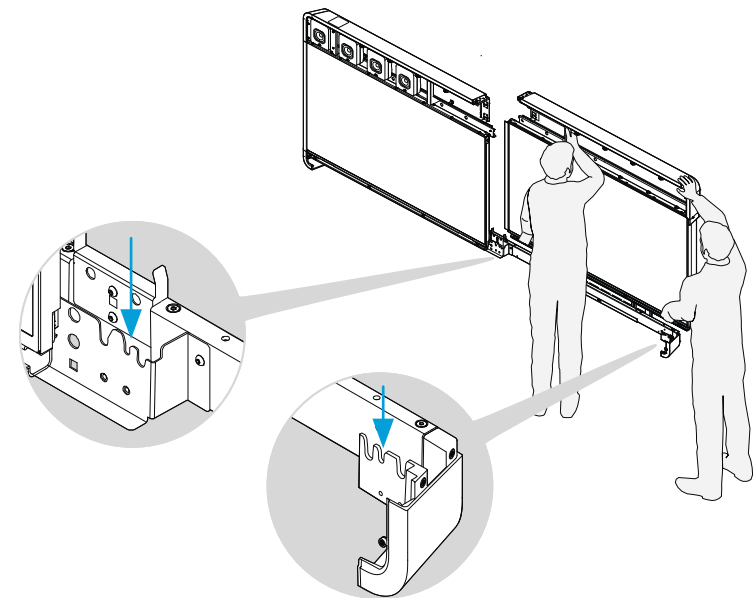
When placing the screen onto the stand, lower the inner side as horizontal as possible. The inner side must not be lowered first.



Make sure the wing nut screws fully enter the center slots.



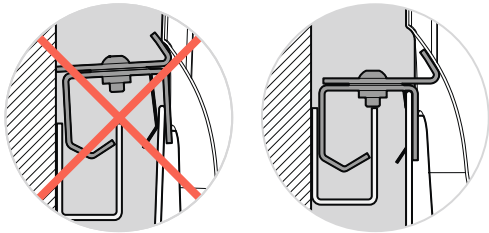
Look in from the sides of the screen to see the wing nut screws. The wing nut screws must enter the center slot on both sides of the screen.



Replace screen (wall mounted) (page 12 of 12)

Make sure the clips slide fully onto the top bracket

Hold the screen close to the wall while lowering it onto the wall bracket. Check that the clips slide fully onto the top bracket.





Appendix

Part numbers for spare parts50

Part numbers for spare parts

Part number	Part description
CS-ROOM70S-FSK=	Room 70S and Room 70S G2 floor stand kit, freestanding or secured to the wall (both options included)
CS-ROOM70S-SKI=	Skis (feet) for freestanding Room 70S and Room 70S G2. This is only the feet; it is not the complete stand. The feet are also included in the floor stand kit (CS-ROOM70S-FSK=)
CS-ROOM70D-FSK=	Room 70D and Room 70D G2 floor stand kit, freestanding or secured to the wall (both options included)
CTS-MX-FSK-SKI=	Skis (feet) for freestanding Room 55D, Room 70D, and Room 70D G2. This is only the feet; it is not the complete stand. The feet are also included in the floor stand kit (CS-ROOM55D-FSK= and CS-ROOM70D-FSK=)
CS-ROOM70-CFBB=	Center frame bottom bracket for Room 55D, Room 70D, and Room 70D G2. The bracket is also included in the floor stand kits (CS-ROOM55D-FSK= and CS-ROOM70D-FSK=)
CS-ROOM70S-WMK=	Room 70S and Room 70S G2 wall mount kit, hangs on wall
CS-ROOM70D-WMK=	Room 70D and Room 70D G2 wall mount kit, hangs on wall
CS-RQUADCAM=	Quad Camera for Room systems
CS-RCODPLUS-K9=	Codec Plus for Room systems (normal)
CS-RCODPLUS-NR-K9=	Codec Plus for Room systems (no-radio version)
CS-RCODPLUS-NR-K7=	Codec Plus for Room systems (no-radio and no-encryption version)
CS-RCODPRO-K9=	Codec Pro for Room systems (normal)
CS-RCODPRO-NR-K9=	Codec Pro for Room systems (no-radio version)
CS-RCODPRO-NR-K7=	Codec Pro for Room systems (no-radio and no-encryption version)
CTS-MX700800-SPKR= *	One loudspeaker, fits in all positions (first version)
CS-R70-R55D-SPKR= *	One loudspeaker, fits in all positions (new version, introduced in early 2021)
ANT-ROOM70-KIT=	Two antennas with brackets
FAN-ROOM70-2PK=	Two fans and air-out duct
CS-ROOM70S-MON-S=	Screen for Room 70S and Room 70S G2 (without codec, camera, loudspeakers, antennas, covers and cables)
CS-ROOM70D-MON-L=	Left screen for Room 70D and Room 70D G2 (without codec, camera, loudspeakers, antennas, covers and cables)
CS-ROOM70D-MON-R=	Right screen for Room 70D and Room 70D G2 (without camera, loudspeakers, covers and cables)

* We introduced a new version of the loudspeaker in early 2021. If your video system has the first version, you can replace it with either CTS-MX700800-SPKR= or CS-R70-R55D-SPKR=. If your system has the new version, you can replace it only with CS-R70-R55D-SPKR=.

Part number	Part description
CS-ROOM70S-FS-GRK=	Room 70S and Room 70S G2 floor stand grille kit (both speaker grille and lower grille)
CS-ROOM70D-FS-GRK=	Room 70D and Room 70D G2 floor stand grille kit (both speaker grille and lower grille)
CS-ROOM70S-WM-GRK=	Room 70S and Room 70S G2 wall mount grille kit (both speaker grille and lower grille)
CS-ROOM70D-WM-GRK=	Room 70D and Room 70D G2 wall mount grille kit (both speaker grille and lower grille)
CS-ROOM70-MON-SCV=	Two side covers (left and right) for Room 70S, Room 70S G2, Room 70D and Room 70D G2 monitors
CS-ROOM70D-CAMCV=	Top rear cover, center top profile and rear center cover for Room 70D and Room 70D G2
CS-ROOM70D-MB=	Upper joining brackets for monitors (jack) for Room 70D and Room 70D G2
CS-ROOM55-70-CFBC=	Center frame bottom cover for Room 55D, Room 70S, Room 70S G2, Room 70D, and Room 70D G2
CS-ROOM55-70-WSB=	One wall secure bracket for Room 55D, Room 70S, Room 70S G2, Room 70D, and Room 70D G2 (also included in CS-ROOM55D-FSK=, CS-ROOM70S-FSK=, and CS-ROOM70D-FSK=). For a dual screen system, you need two brackets
CS-ROOM55D-FS-GRK=	Room 55D floor stand grille kit (both speaker grille and lower grille)
CS-ROOM55D-WM-GRK=	Room 55D wall mount grille kit (both speaker grille and lower grille)
CS-ROOM55D-MON-L=	Left screen for Room 55 Dual (without codec, camera, loudspeakers, antennas, covers and cables)
CS-ROOM55D-MON-R=	Right screen for Room 55 Dual (without codec, camera, loudspeakers, antennas, covers and cables)
CS-ROOM55D-FSK=	Room 55D floor stand kit, freestanding or secured to the wall (both options included)
CS-ROOM55D-WMK=	Room 55D wall mount kit, hangs on wall
CS-ROOM55D-MB=	Upper joining brackets for monitors (jack) for Room 55D
CS-ROOM55-MON-SCV=	Two side covers (left and right) for Room 55D monitors
CS-ROOM55D-CAMCV=	Top rear cover, center top profile and rear center cover for Room 55D
CS-ROOM70-SCRWKIT=	Screws and tool kit for Room 55D, Room 70S, Room 70S G2, Room 70D, and Room 70D G2. One kit covers one video system, either on a freestanding floor stand, wall secured floor stand, or wall mounted

For a complete overview of spare parts and cables for Cisco Webex Room 70 Single, Cisco Webex Room 70 Dual, Cisco Webex Room 70 Single G2, Cisco Webex Room 70 Dual G2, and Cisco Webex Room 55 Dual, refer to the *Spare parts list* that is available on our web site. Go to <https://www.cisco.com/go/room-docs> and select *Maintain and Operate Guides*.

Intellectual property rights

THE SPECIFICATIONS AND INFORMATION REGARDING THE PRODUCTS IN THIS MANUAL ARE SUBJECT TO CHANGE WITHOUT NOTICE. ALL STATEMENTS, INFORMATION, AND RECOMMENDATIONS IN THIS MANUAL ARE BELIEVED TO BE ACCURATE BUT ARE PRESENTED WITHOUT WARRANTY OF ANY KIND, EXPRESS OR IMPLIED. USERS MUST TAKE FULL RESPONSIBILITY FOR THEIR APPLICATION OF ANY PRODUCTS.

THE SOFTWARE LICENSE AND LIMITED WARRANTY FOR THE ACCOMPANYING PRODUCT ARE SET FORTH IN THE INFORMATION PACKET THAT SHIPPED WITH THE PRODUCT AND ARE INCORPORATED HEREIN BY THIS REFERENCE. IF YOU ARE UNABLE TO LOCATE THE SOFTWARE LICENSE OR LIMITED WARRANTY, CONTACT YOUR CISCO REPRESENTATIVE FOR A COPY.

The Cisco implementation of TCP header compression is an adaptation of a program developed by the University of California, Berkeley (UCB) as part of UCB's public domain version of the UNIX operating system. All rights reserved. Copyright © 1981, Regents of the University of California.

NOTWITHSTANDING ANY OTHER WARRANTY HEREIN, ALL DOCUMENT FILES AND SOFTWARE OF THESE SUPPLIERS ARE PROVIDED "AS IS" WITH ALL FAULTS. CISCO AND THE ABOVE-NAMED SUPPLIERS DISCLAIM ALL WARRANTIES, EXPRESSED OR IMPLIED, INCLUDING, WITHOUT LIMITATION, THOSE OF MERCHANTABILITY, FITNESS FOR A PARTICULAR PURPOSE AND NON-INFRINGEMENT OR ARISING FROM A COURSE OF DEALING, USAGE, OR TRADE PRACTICE.

IN NO EVENT SHALL CISCO OR ITS SUPPLIERS BE LIABLE FOR ANY INDIRECT, SPECIAL, CONSEQUENTIAL, OR INCIDENTAL DAMAGES, INCLUDING, WITHOUT LIMITATION, LOST PROFITS OR LOSS OR DAMAGE TO DATA ARISING OUT OF THE USE OR INABILITY TO USE THIS MANUAL, EVEN IF CISCO OR ITS SUPPLIERS HAVE BEEN ADVISED OF THE POSSIBILITY OF SUCH DAMAGES.

Any Internet Protocol (IP) addresses and phone numbers used in this document are not intended to be actual addresses and phone numbers. Any examples, command display output, network topology diagrams, and other figures included in the document are shown for illustrative purposes only. Any use of actual IP addresses or phone numbers in illustrative content is unintentional and coincidental.

All printed copies and duplicate soft copies are considered un-Controlled copies and the original on-line version should be referred to for latest version.

Cisco has more than 200 offices worldwide. Addresses, phone numbers, and fax numbers are listed on the Cisco website at www.cisco.com/go/offices.

Cisco and the Cisco logo are trademarks or registered trademarks of Cisco and/or its affiliates in the U.S. and other countries. To view a list of Cisco trademarks, go to this URL: www.cisco.com/go/trademarks. Third-party trademarks mentioned are the property of their respective owners. The use of the word partner does not imply a partnership relationship between Cisco and any other company. (1110R)

Cisco product security overview

This product contains cryptographic features and is subject to United States and local country laws governing import, export, transfer, and use. Delivery of Cisco cryptographic products does not imply third-party authority to import, export, distribute, or use encryption. Importers, exporters, distributors, and users are responsible for compliance with U.S. and local country laws. By using this product you agree to comply with applicable laws and regulations. If you are unable to comply with U.S. and local laws, return this product immediately.

Further information regarding U.S. export regulations may be found at <https://www.bis.doc.gov/policiesandregulations/ear/index.htm>.

Cisco contacts

You will find an overview of the worldwide Cisco contacts on our website.

Go to: <https://www.cisco.com/go/offices>

Corporate Headquarters
Cisco Systems, Inc.
170 West Tasman Dr.
San Jose, CA 95134 USA