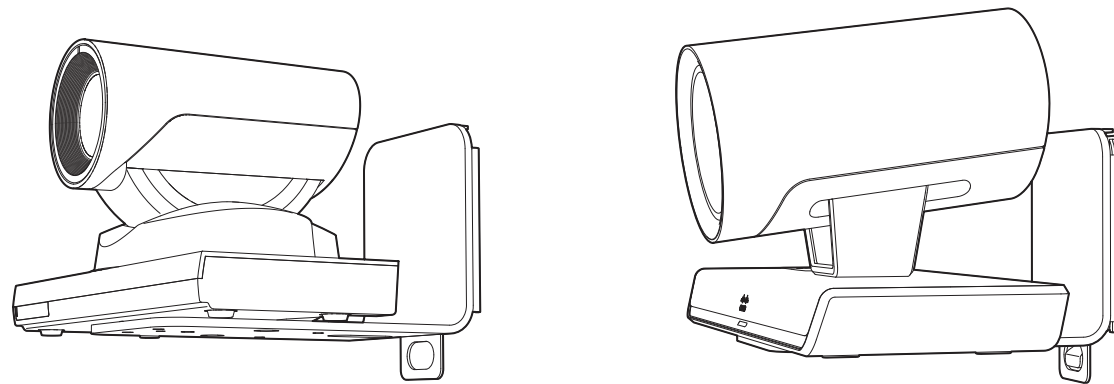




Cisco TelePresence Precision Camera Bracket Kit

INSTALLATION GUIDE

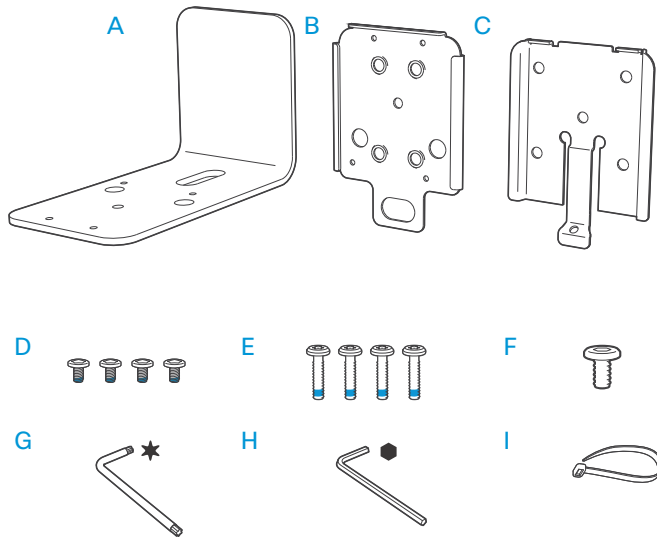


The camera bracket kit is designed for multiple mounting scenarios. By combining the parts in various ways the camera can be wall mounted above or below the monitor, it can be mounted upside down on the wall as well as upside down in the ceiling.

Installation

Contents

- A. 1 x Angle bracket for wall mount
- B. 1 x Camera bracket
- C. 1 x Interface bracket
- D. 4 x Screw, M4x4
- E. 4 x M3x14 T7, thread lock screw
- F. 1 x 1/4" UNC screw
- G. 1 x Torx key, T7
- H. 1 x Allen key, 4mm
- I. 1 x Cable tie



Not included

4 x Screws (M6) for attaching the interface bracket (C) are not included.

Cameras supported

The Precision Camera Bracket Kit can be used with the following cameras:

- Cisco TelePresence Precision 60 camera
- Cisco TelePresence PrecisionHD 1080p4x S2

Remove pre-mounted screws

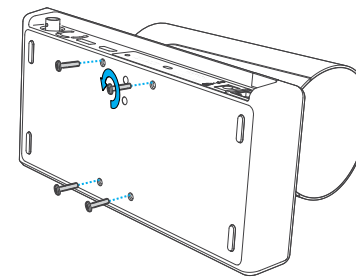
Applies to camera model *Precision 60 Camera*, and all mounting options. You can skip this step if you have the PrecisionHD 1080p4x S2 Camera.

Place the *Precision 60 Camera* on a stable surface with the connectors turned up and remove the four pre-mounted screws.

NOTE: The original pre-mounted screws must be installed if the camera bracket is not in use.

NOTE: The pre-mounted screws are too short for safe mounting of the camera bracket.

Model: Precision 60 Camera



**REMOVE SCREWS
AND DO NOT USE
Torx key T7 (G)**

Read before you start

Safety information

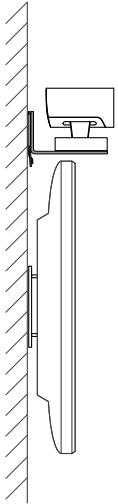
Due to the size and mass of this product it is important that the wall/ceiling mounted system is safely installed according to these installation instructions.

The wall/ceiling and mounting hardware must be able to safely support the product.

The wall/ceiling mounted system must be installed by qualified personnel, in accordance with state and local building regulations.

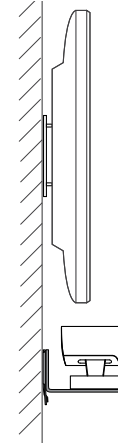
Mounting options

Having eye contact with remote participants is essential for a good user experience. To achieve this the camera can be mounted above/below the monitor, in the ceiling, or upside down.



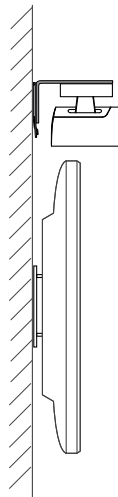
1) Wall mount

The camera is mounted on the wall, above the monitor.



2) Wall mount

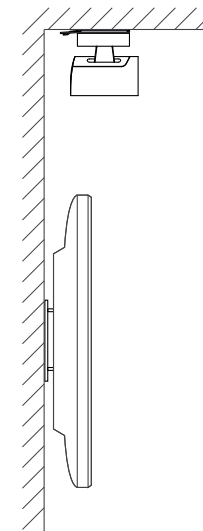
The camera is mounted on the wall, below the monitor. Ensure that there is enough space for the camera house to move freely.



3) Wall mount, upside down

The camera is mounted on the wall, upside down, above or below (not shown) the monitor.

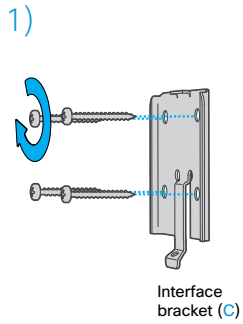
Ensure that there is enough space for the camera house to move freely.



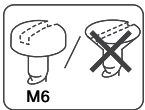
4) Ceiling mount

The camera is mounted in the ceiling, upside down. See the other side of this sheet for mounting instructions.

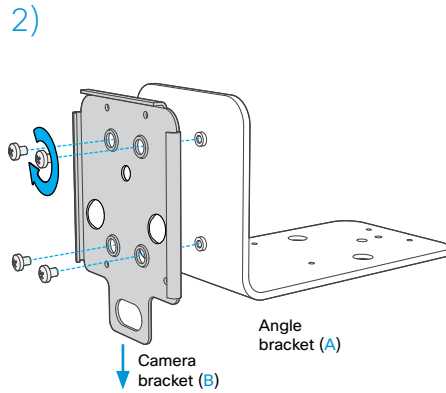
Option 1-2: Wall mount



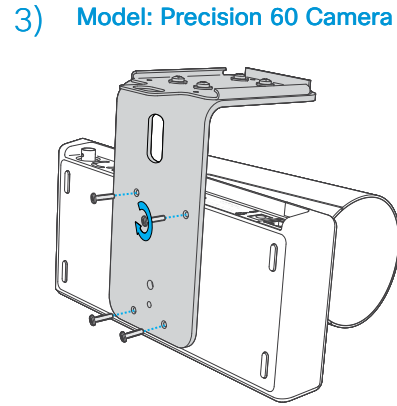
Select the type of fasteners suitable for the type of material the wall is made of (wood, concrete, gypsum).



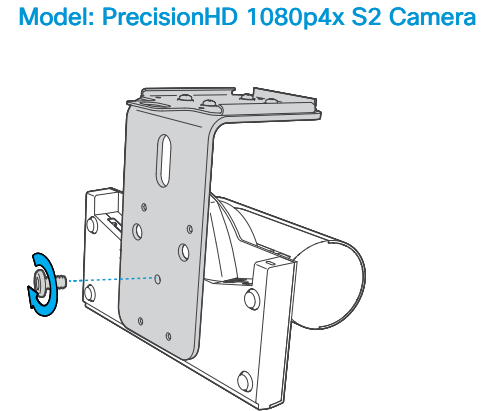
Screws are not included.



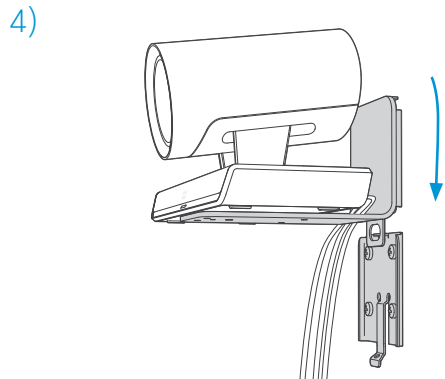
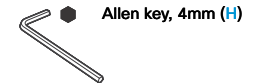
4 x M4x4 (D)



4 x M3x14 T7 (E)
Thread lock screws



1 x 1/4" UNC (F)

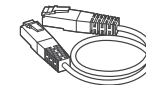


Slide camera on place. The same principle applies to both camera models.

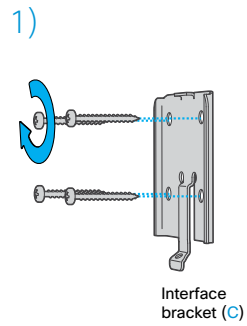
Cabling

Connect the cables as described in the *Installation Guide* that is supplied with the codec, or check the user documentation on our web site.

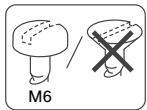
- Cisco TelePresence SX80 Codec: www.cisco.com/go/sx-docs
- Cisco TelePresence C Series Codec: www.cisco.com/go/cseries-docs
- Cisco TelePresence Precision cameras: www.cisco.com/go/camera-docs



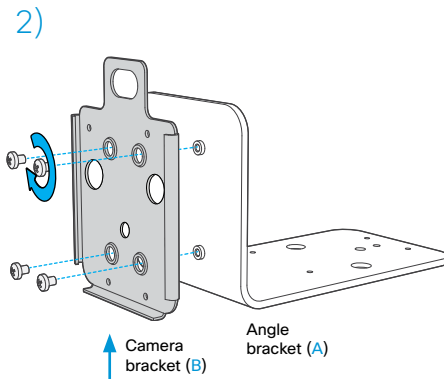
Option 3: Wall mount, upside down



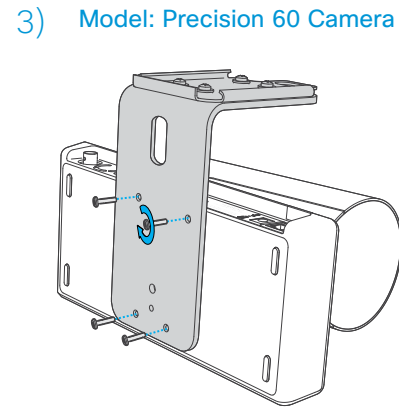
Select the type of fasteners suitable for the type of material the wall is made of (wood, concrete, gypsum).



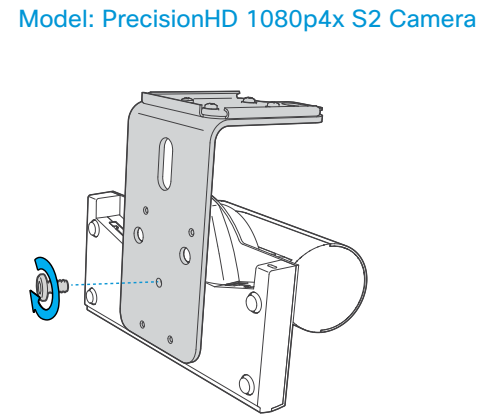
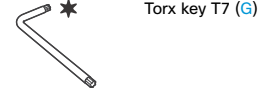
Screws are not included.



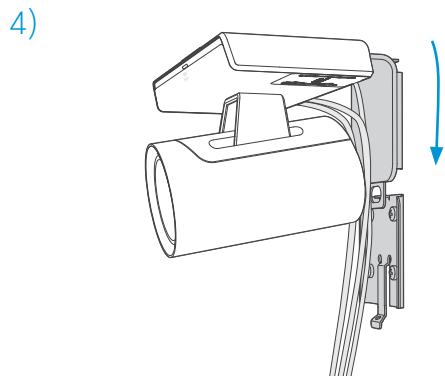
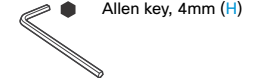
4 x M4x4 (D)



4 x M3x14 T7 (E)
Thread lock screws



1 x 1/4" UNC (F)

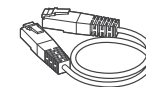


Slide camera on place. The same principle applies to both camera models.

Cabling

Connect the cables as described in the *Installation Guide* that is supplied with the codec, or check the user documentation on our web site.

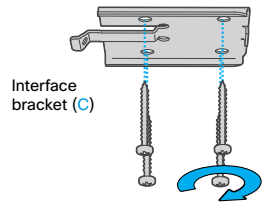
- Cisco TelePresence SX80 Codec: www.cisco.com/go/sx-docs
- Cisco TelePresence C Series Codec: www.cisco.com/go/cseries-docs
- Cisco TelePresence Precision cameras: www.cisco.com/go/camera-docs



Option 4: Ceiling mount

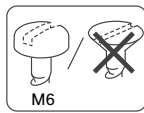
If not already done; follow instructions in the *Remove pre-mounted screws* section.

1)



Interface bracket (C)

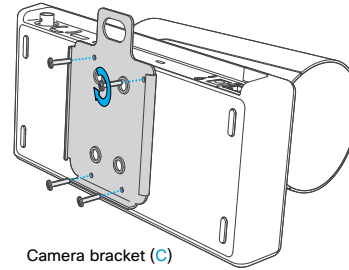
Select the type of fasteners suitable for the type of material the ceiling is made of.



M6

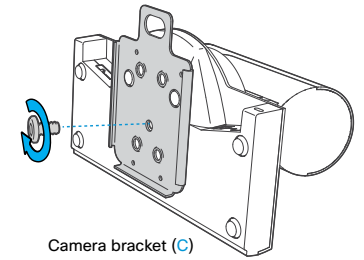
Screws are not included.

2) Model: Precision 60 Camera



Camera bracket (C)

Model: PrecisionHD 1080p4x S2 Camera



Camera bracket (C)

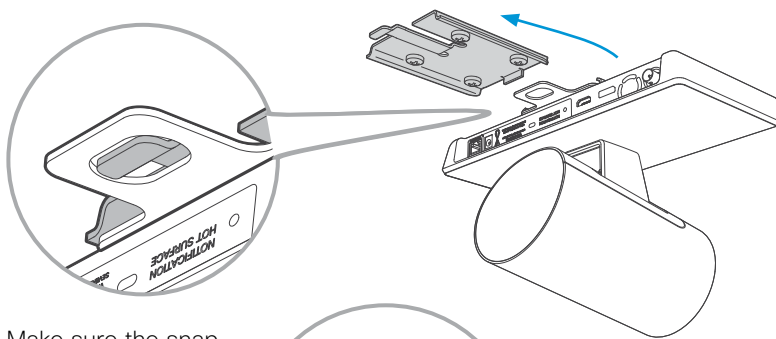
4 ×  M3x14 T7 (E)
Thread lock screws

1 ×  1/4" UNC (F)

 Torx key T7 (G)

 Allen key, 4mm (H)

3) Slide camera on place. The same principle applies to both camera models.



Make sure the snap lock is engaged.



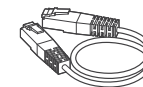
Secure the camera with a cable tie.

1 ×  Cable tie (I)

Cabling

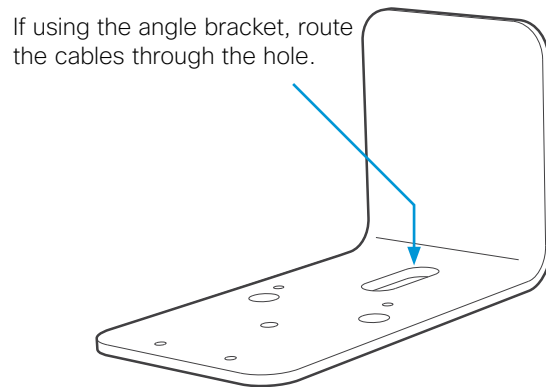
Connect the cables as described in the *Installation Guide* that is supplied with the codec, or check the user documentation on our web site.

- Cisco TelePresence SX80 Codec: www.cisco.com/go/sx-docs
- Cisco TelePresence C Series Codec: www.cisco.com/go/cseries-docs
- Cisco TelePresence Precision cameras: www.cisco.com/go/camera-docs

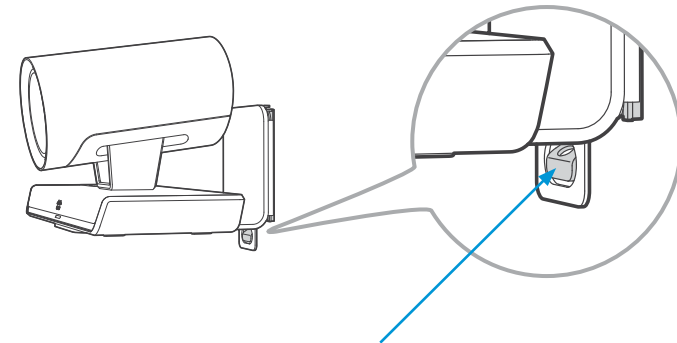


Cable management

Use a cable management of your choice to make it look nice and tidy.



How to release camera from the bracket



Press and hold to release the snap lock.
Carefully lift the camera off the bracket.

Where to find additional support and information for your Cisco TelePresence product

User documentation



For more information about Cisco TelePresence Precision 60 Camera see the user documentation that is available on our web site:

<http://www.cisco.com/go/camera-docs>

Support



For support, go to: <http://www.cisco.com/support>

Room design and room setup



We invite you to explore the *Project Workplace* guide to inspire you on room design and room setup.

<http://www.cisco.com/go/projectworkplace>

Contact

Contact Cisco or find an overview of the Cisco offices.

<http://www.cisco.com/go/offices>



Cisco and the Cisco logo are trademarks or registered trademarks of Cisco and/or its affiliates in the U.S. and other countries. To view a list of Cisco trademarks, go to this URL: www.cisco.com/go/trademarks. Third-party trademarks mentioned are the property of their respective owners. The use of the word partner does not imply a partnership relationship between Cisco and any other company. (1110R)