



Quick Start Guide Schnellstartanleitung Guía de inicio rápido Guide de démarrage rapide Краткое руководство по началу работы



Cisco 350 Series Managed Switches
Cisco Managed Switches der Serie 350
Switches administrados Cisco serie 350
Commutateurs administrables Cisco 350
Управляемые коммутаторы Cisco серии 350

Welcome

Thank you for choosing the Cisco 350 Series Managed Switches. The switches are designed to be operational right out-of-the-box as standard layer 2 and 3 switches. Using the default configuration, your switch forwards packets between the connecting devices after power up.

This guide familiarizes you with the switch layout and describes how to deploy the switch in your network. For additional information, see www.cisco.com/go/350switches.

Package Contents

- Your Cisco 350 Series Managed Switch
- Power Cord
- Rack-Mount Kit and Rubber Feet
- Wall Mounting Package for SF352-08, SF352-08MP, SF352-08P, SG350-10, SG350-10P, SG350-10MP, or SG350-10SFP
- DB-9 to RJ45 Serial Cable
- Quick Start Guide
- Pointer Card with China RoHS
- Technical Support Contacts
- EU Directives 1999/5/EC Compliance Information (for EU SKU only)

1

Before You Begin

Before you begin the installation, make sure that you have the following:

- Category 5e or higher RJ-45 Ethernet cables for connecting network devices.
- Console cable for using the console port to manage your switch.
- Tools for installing the hardware. The rack-mount kit packed with the switch contains four rubber feet for desktop placement, and two brackets and twelve screws for rack-mounting. If the supplied screws are lost, use replacement screws in the following size:
 - Diameter of the screw head: 6.9 mm
 - Length of face of screw head to base of screw: 5.9 mm
 - Shaft diameter: 3.94 mm
- The wall mount kit includes screws and anchors. If the supplied screws are lost, use replacement screws in the following size:

- Diameter of the screw head: 6.8 mm
- Length of face of screw head to base of screw: 16 mm
- Shaft diameter: 3.5 x 1.3 mm
- Computer with Microsoft Internet Explorer (version 9.0, 10.0, 11.0), Mozilla Firefox (version 51.0, 52.0, 53.0, or higher), or Google Chrome (version 56, 57, 58, or higher) for using the web-based interface or the console port to manage your switch.

2

Mounting the Cisco 350 Series Switches

Depending on your switch, there are two or three ways to install the switch:

- Place the switch on a flat surface. To place the switch on a desktop, install the four rubber feet (included) on the bottom of the switch.
- Mount the switch in a standard rack (1 rack unit high).
- Many of the 350 Series Cisco switches include wall-mounting slots on the bottom of the device.

Placement Tips

Do not deploy the switch in a location where any of the following conditions exist:

- **Ambient Temperature**—To prevent the switch from overheating, do not operate it in an area that exceeds an ambient temperature of 122°F (50°C).
- **Air Flow**—Be sure that there is adequate air flow around the switch.
- **Mechanical Loading**—Be sure that the switch is level and stable to avoid any hazardous conditions.
- **Circuit Overloading**—Adding the switch to the power outlet must not overload that circuit.

Rack Mounting

You can mount the switches in any standard size, 19-inch (about 48 cm) wide rack. The switch requires 1 rack unit (RU) of space, which is 1.75 inches (44.45 mm) high.

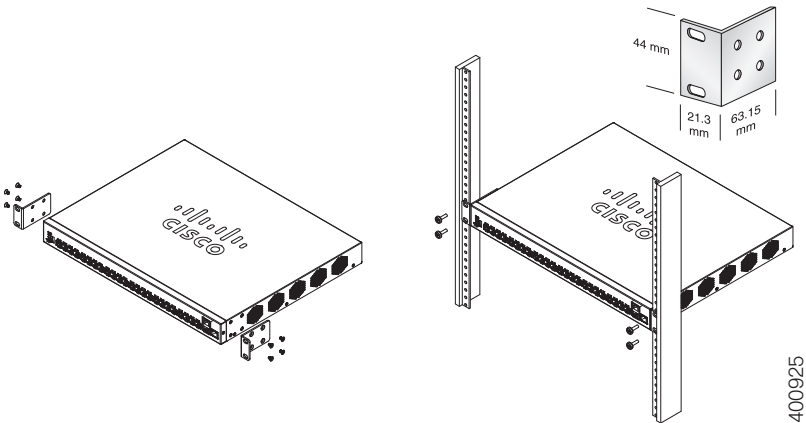


CAUTION

For stability, load the rack from the bottom to the top, with the heaviest devices on the bottom. A top-heavy rack is likely to be unstable and might tip over.

To install the switch into a 19-inch standard chassis:

- STEP 1** Place one of the supplied brackets on the side of the switch so that the four holes of the brackets align to the screw holes, and then use the four supplied screws to secure it.
- STEP 2** Repeat the previous step to attach the other bracket to the opposite side of the switch.
- STEP 3** After the brackets are securely attached, the switch is now ready to be installed into a standard 19-inch rack.



Wall Mounting

Most of the 350 Series Cisco switches include wall-mounting slots on the bottom of the device.



WARNING Insecure mounting may damage the device or cause injury. Cisco is not responsible for damages incurred by insecure wall or ceiling mounting.

To mount your switch to a wall:

- STEP 1** Determine where you want to mount the device. Verify that the surface is smooth, flat, dry, and sturdy.
- STEP 2** Drill two pilot holes into the surface of the wall 94 mm apart.
- STEP 3** Insert a screw into each hole, leaving a gap between the surface and the base of the screw head.

STEP 4 Place the bottom of the switch over the screws and slide the switch down until the screws fit snugly into the slots.

3 Connecting Network Devices

To connect the switch to the network:

STEP 1 Connect an Ethernet cable to the Ethernet port of a computer, printer, network storage, or other network devices.

STEP 2 Connect the other end of the Ethernet cable to one of the numbered Ethernet ports of the switch.

The Ethernet port light turns green when the connection is active. Refer to [Cisco 350 Series Switch Features](#) for details about the different ports and LEDs on each switch.

STEP 3 Repeat **Step 1** and **Step 2** for each device that you want to connect to the switch.

NOTE A category 5e and higher cable is required for all ports. When you connect your network devices, do not exceed the maximum cabling distance of 100 meters (328 feet). It can take up to one minute for the attached devices or the LAN to be operational after it is connected. This behavior is normal.

Power over Ethernet Considerations



WARNING The switch is to be connected only to PoE networks without routing to the outside plant.

If your switch is one of the Power over Ethernet (PoE) models, consider the following power requirements:

350 Switches with Power Over Ethernet

Model	Power Dedicated to PoE	Number of Ports Supporting PoE	PoE Standard Supported
SF352-08P	62 Watts	1–8	802.3af/at
SF352-08MP	128 Watts	1–8	802.3af/at

SF350-24P	185 Watts	1–24 *60-Watt PoE: ports 1,2,13,14	802.3af/at 4-pair PoE
SF350-24MP	375 Watts	1–24 *60-Watt PoE: ports 1,2,13,14	802.3af/at 4-pair PoE
SF350-48P	382 Watts	1–48 *60-Watt PoE: ports 1,2,3,4,25,26,27,28	802.3af/at 4-pair PoE
SF350-48MP	740 Watts	1–48 *60-Watt PoE: ports 1,2,3,4,25,26,27,28	802.3af/at 4-pair PoE
SG350-10P	62 Watts	1–8	802.3af/at
SG350-10MP	128 Watts	1–8	802.3af/at
SG355-10P	62 Watts	1–8	802.3af/at
SG350-28P	195 Watts	1–24 *60-Watt PoE: ports 1,2,13,14	802.3af/at 4-pair PoE
SG350-28MP	382 Watts	1–24 *60-Watt PoE: ports 1,2,13,14	802.3af/at 4-pair PoE
SG350-52P	375 Watts	1–48 *60-Watt PoE: ports 1,2,3,4,25,26,27,28	802.3af/at 4-pair PoE
SG350-52MP	740 Watts	1–48 *60-Watt PoE: ports 1,2,3,4,25,26,27,28	802.3af/at 4-pair PoE
SG350-8PD	124 Watts	1–8	802.3af/at

*60-Watt PoE extends the IEEE Power over Ethernet Plus standard to double the power per port to 60 watts.



CAUTION

Consider the following when connecting switches capable of supplying PoE:

The PoE models of the switches are PSE (Power Sourcing Equipment) that are capable of supplying DC power to attaching PD (Powered Devices). These devices include VoIP phones, IP cameras, and wireless access points. The PoE switches can detect and supply power to pre-standard legacy PoE Powered Devices. Due to the support of legacy PoE, it is possible that a PoE switch acting as a PSE may mistakenly detect and supply power to an attaching PSE, including other PoE switches, as a legacy PD.

Even though PoE switches are PSE, and as such should be powered by AC, they could be powered up as a legacy PD by another PSE due to false detection. When this happens, the PoE switch may not operate properly and may not be able to properly supply power to its attaching PDs.

To prevent false detection, you should disable PoE on the ports on the PoE switches that are used to connect to PSEs. You should also first power up a PSE device before connecting it to a PoE switch. When a device is being falsely detected as a PD, you should disconnect the device from the PoE port and power recycle the device with AC power before reconnecting its PoE ports.

4

Configuring the 350 Series Switches

Before You Begin

The switch can be accessed and managed by two different methods; over your IP network using the web-based interface, or by using the switch's command-line interface through the console port. Using the console port requires advanced user skills.

These are the default settings used when configuring your switch for the first time.

Parameter	Default Value
Username	cisco
Password	cisco
LAN IP	192.168.1.254

Configuring Your Switch Using the Web-based Interface

To access the switch with a web-based interface, you must know the IP address that the switch is using. The switch uses the factory default IP address of 192.168.1.254, with a subnet of /24.

When the switch is using the factory default IP address, the System LED flashes continuously. When the switch is using a DHCP server-assigned IP address or an administrator has configured a static IP address, the System LED is a steady green (DHCP is enabled by default).

NOTE If you are managing the switch through a network connection and the switch IP address is changed, either by a DHCP server or manually, your access to the switch will be lost. You must enter the new IP address that the switch is using into your browser to use the web-based interface. If you are managing the switch through a console port connection, the link is retained.

To configure the switch using the web-based interface:

STEP 1 Power on the computer and your switch.

STEP 2 Connect the computer to any network port.

STEP 3 Set up the IP configuration on your computer.

- a. If the switch is using the default static IP address of 192.168.1.254/24, you must choose an IP address for the computer in the range of 192.168.1.2 to 192.168.1.253 that is not already in use.
- b. If the IP addresses will be assigned by DHCP, make sure that your DHCP server is running and can be reached from the switch and the computer. You may need to disconnect and reconnect the devices for them to discover their new IP addresses from the DHCP server.

NOTE Details on how to change the IP address on your computer depend upon the type of architecture and operating system that you are using. Use your computers local Help and Support functionality and search for "IP Addressing."

STEP 4 Open a web browser window. If you are prompted to install an ActiveX plug-in when connecting to the device, follow the prompts to accept the plug-in.

STEP 5 Enter the switch IP address in the address bar and press **Enter**. For example, `http://192.168.1.254`.

STEP 6 When the login page appears, choose the language that you prefer to use in the web-based interface and enter the username and password.

The default username is **cisco**. The default password is **cisco**. Usernames and passwords are both case sensitive.

STEP 7 Click **Log In**.

If this is the first time that you have logged on with the default username and password, the Change Password page opens. The rules for constructing a new password are displayed on the page.

STEP 8 Enter a new password and confirm the password.

NOTE Password complexity is enabled by default. The password must comply with the default complexity rules or it can be disabled temporarily by checking **Disable** next to **the Password Strength Enforcement** option.

STEP 9 Click **Apply**.



CAUTION

Make sure that any configuration changes made are saved before exiting from the web-based interface by clicking on the **Save** icon. Exiting before you save your configuration results in all changes being lost.

The Getting Started page opens. You are now ready to configure the switch. Refer to the Administration Guide or see the help pages for further information.

Configuring Your Switch Using the Console Port

To configure the switch using the console port:

STEP 1 Connect a computer to the switch console port using the supplied console cable.

STEP 2 Start a console port utility such as HyperTerminal on the computer.

STEP 3 Configure the utility with the following parameters:

- 115200 bits per second
- 8 data bits
- no parity
- 1 stop bit
- no flow control

STEP 4 Enter a username and password. The default username is **cisco**, and the default password is **cisco**. Usernames and passwords are both case sensitive.

If this is the first time that you have logged on with the default username and password, the following message appears:

Please change your password from the default settings. Please change the password for better protection of your network. Do you want to change the password (Y/N) [**Y**]?

STEP 5 Enter **Y**, and set a new administrator password.

NOTE Password complexity is enabled by default. The password must comply with the default complexity rules.



CAUTION

Make sure that any configuration changes made are saved before exiting.

You are now ready to configure the switch. Refer to www.cisco.com/go/350switches to locate the CLI Guide for your switch.

NOTE If you are not using DHCP on your network, set the IP address type on the switch to Static and change the static IP address and subnet mask to match your network topology. Failure to do so may result in multiple switches using the same factory default IP address of 192.168.1.254.

5

Cisco 350 Series Switch Features

This section describes the exterior of the switch to help familiarize you with your switch.

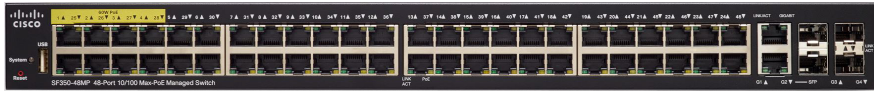
Product Models

Model	Description
SF350-08	8-Port 10/100 Managed Switch
SF350-24	24-Port 10/100 Managed Switch
SF350-24MP	24-Port 10/100 PoE Managed Switch
SF350-24P	24-Port 10/100 PoE Managed Switch
SF350-48	48-Port 10/100 Managed Switch
SF350-48MP	48-Port 10/100 PoE Managed Switch
SF350-48P	48-Port 10/100 PoE Managed Switch
SF352-08	8-Port 10/100 Managed Switch
SF352-08MP	8-Port 10/100 PoE Managed Switch
SF352-08P	8-Port 10/100 PoE Managed Switch
SG350-10	10-Port Gigabit Managed Switch
SG350-10MP	10-Port Gigabit PoE Managed Switch
SG350-10P	10-Port Gigabit PoE Managed Switch
SG350-10SFP	10-Port Gigabit Managed SFP Switch
SG350-20	20-Port Gigabit Managed Switch
SG350-28	28-Port Gigabit Managed Switch
SG350-28MP	28-Port Gigabit PoE Managed Switch
SG350-28P	28-Port Gigabit PoE Managed Switch
SG350-28SFP	28-Port Gigabit Managed SFP Switch
SG350-52	52-Port Gigabit Managed Switch
SG350-52P	52-Port Gigabit PoE Managed Switch
SG350-52MP	52-Port Gigabit PoE Managed Switch
SG355-10P	10-Port Gigabit PoE Managed Switch
SG350-8PD	8-Port 2.5G PoE Managed Switch

Front Panel

The ports, LEDs, and Reset button are located on the front panel of the switch as represented in the following illustrations.

SF350-48MP



SG350-8PD



SG355-10P



Front Panel Ports

USB Port—The USB port connects the switch to a USB device so that you can save and restore the configuration files, firmware images, and SYSLOG files through the connected USB device.

RJ-45 Ethernet Ports—The RJ-45 Ethernet ports connect network devices, such as computers, printers, and access points, to the switch.

Multigigabit Ethernet Ports—Highlighted in blue, these ports support speeds of 100 Mbps, 1 Gbps, and 2.5 Gbps, on Cat 5e cables. Much of the cabling deployed worldwide is limited to 1 Gbps at 100 meters. Cisco Multigigabit Ethernet enables speeds up to 2.5 Gbps on the same infrastructure without replacing a cable.

60-Watt PoE Ports—Highlighted in yellow, the 60-Watt PoE ports double the PoE power to 60W.

SFP Port (if present)—The small form-factor pluggable (SFP) ports are connection points for modules, so the switch can link to other switches. These ports are also commonly referred to as miniGigaBit Interface Converter (miniGBIC) ports. The term SFP is used in this guide.

- Some SFP interfaces are shared with one other RJ-45 port, called a combo port. When the SFP is active, the adjacent RJ-45 port is disabled.
- The LEDs of the corresponding RJ-45 port flash green to respond to the SFP interface traffic.

Front Panel LEDs

System—(Green) The LED lights steady when the switch is powered on, and flashes when booting, performing self-tests, or acquiring an IP address. If the LED flashes Amber, the switch has detected a hardware failure, a firmware failure, and/or a configuration file error.

LINK/ACT—(Green) Located on the left of each port. The LED lights steady when a link between the corresponding port and another device is detected, and flashes when the port is passing traffic.

Gigabit—(Green) Located on the right of the port. The LED lights steady when another device is connected to the port, is powered on, and a 1000 Mbps link is established between the devices. When the LED is off, the connection speed is under 1000 Mbps or nothing is cabled to the port.

PoE (if present)—(Amber) Located on the right of the port. The LED lights steady when power is being supplied to a device attached to the corresponding port.

Reset Button

The switch can be reset by inserting a pin or paper clip into the **Reset** button opening on the front panel of the switch. See [Returning the Switches to the Factory Default Settings](#) for details.

Back Panel

The power port and console port are located on the back panel of the switch. The back panel of your particular switch may look different, and if your model has a fan, allow for adequate air circulation.



Power—Connects the switch to AC power.

Console—Connects a serial cable to a computer serial port so that it can be configured by using a terminal emulation program.

6

Returning the Switches to the Factory Default Settings

To use the **Reset** button to reboot or reset the switch, do the following:

- To **reboot** the switch, press and hold the **Reset** button for less than ten seconds.
- To restore the switch to its factory default settings:

- Disconnect the switch from the network or disable all DHCP servers on your network.
- With the power on, press and hold the **Reset** button for more than ten seconds.

Troubleshoot Your Connection

If you cannot access your switch from the web-based interface, the switch may not be reachable from your computer. You can test network connections by using ping on a computer running Windows:

STEP 1 Open a command window by selecting **Start > Run** and enter **cmd**.

STEP 2 At the **Command** window prompt, enter **ping** and the switch IP address. For example, **ping 192.168.1.254** (the default static IP address of the switch).

If you can reach the switch, you should get a reply similar to the following:

```
Pinging 192.168.1.254 with 32 bytes of data:  
Reply from 192.168.1.254:bytes=32 time<1ms TTL=128
```

If you cannot reach the switch, you should get a reply similar to the following:

```
Pinging 192.168.1.254 with 32 bytes of data:  
Request timed out.
```

Possible Causes and Resolutions

The Switch is not Powering on

- Verify the power cord is plugged firmly into the switch and into the power outlet.
- Verify that the power outlet is active.
- Verify that the computer is on.
- Replace the power adapter, before replacing the switch, if the situation continues.

Bad Ethernet connection

- Check the LEDs for proper indications. See **Front Panel** for details.
- Check the connectors of the Ethernet cable to ensure that they are firmly plugged into the switch and your computer.
- Use a different Ethernet cable or port.

Bad Console port connection

- Verify the console cable connectors are firmly plugged into the switch and your computer.
- Verify the console port utility is configured with the correct parameters.

IP Addressing Issues

- The Cisco switches can also be accessed by the Cisco FindIT Network Discovery Utility that automatically discovers all Cisco Small Business devices in the same local network segment as your computer. You can view device information including the current IP address, download the latest firmware for the device, or launch the product configuration utility to view and configure the settings. For more information, see www.cisco.com/go/findit.
- Verify that you are using the correct IP address of the switch. Determine the current IP address of the switch from the CLI through the console port, Cisco FindIT, or from your network administrator. The System LED provides an indication of where the switch received the IP address (See **Front Panel** for details.)
- Make sure that no other device is using the same IP address as the switch.

No IP route

If the switch and your computer are in different IP subnets, you need one or more routers to route the packets between the two subnets.

Unusually long access time

Due to the standard spanning tree loop detection logic, adding new connections may take 30 to 60 seconds for the affected interfaces and/or LAN to become operational.

Cisco Support Community	www.cisco.com/go/smallbizsupport
Cisco Support and Resources	www.cisco.com/go/smallbizhelp
Phone Support Contacts	www.cisco.com/en/US/support/tsd_cisco_small_business_support_center_contacts.html
Cisco Firmware Downloads	www.cisco.com/go/smallbizfirmware Select a link to download firmware for Cisco Products. No login is required.
Cisco Open Source Requests	To receive a copy of the source code to which you are entitled under the applicable free/open source license(s) (such as the GNU Lesser/General Public License), please send your request to: externalopensource-requests@cisco.com In your requests please include the Cisco product name, version, and the 18 digit reference number (for example: 7XEEX17D99-3X49X081) found in the product open source documentation.
Cisco Partner Central (Partner Login Required)	www.cisco.com/web/partners/sell/smb
Product Documentation	
350 Series	www.cisco.com/go/350switches
Regulatory Compliance and Safety Information	www.cisco.com/en/US/docs/switches/lan/csb_switching_general/rcsi/Switch_RCSI.pdf
Warranty Information	www.cisco-warrantyfinder.com

**WARNING**

This is a class A product. In a domestic environment this product may cause radio interference in which case the user may be required to take adequate measures.

Americas Headquarters

Cisco Systems, Inc.
www.cisco.com



Cisco has more than 200 offices worldwide. Addresses, phone numbers, and fax numbers are listed on the Cisco website at www.cisco.com/go/offices.

78-101213-01A0

Cisco and the Cisco logo are trademarks or registered trademarks of Cisco and/or its affiliates in the U.S. and other countries. To view a list of Cisco trademarks, go to this URL: www.cisco.com/go/trademarks. Third-party trademarks mentioned are the property of their respective owners. The use of the word partner does not imply a partnership relationship between Cisco and any other company. (1110R)

© 2017 Cisco Systems, Inc. All rights reserved.



Schnellstartanleitung



Cisco Managed Switches der Serie 350

Willkommen

Danke, dass Sie sich für Cisco Managed Switches der Serie 350 entschieden haben. Diese Switches wurden so entwickelt, dass sie sofort als Standard-Layer-2- und Layer-3-Switches eingesetzt werden können. In der standardmäßigen Konfiguration werden Pakete zwischen den angeschlossenen Geräten vom Switch umgeleitet, nachdem diese hochgefahren wurden.

Diese Anleitung soll Sie mit dem Layout des Switches vertraut machen und dient der Erläuterung der Bereitstellung des Switches in Ihrem Netzwerk. Weitere Informationen finden Sie unter www.cisco.com/go/350switches.

Lieferumfang

- Ihr Cisco Managed Switch der Serie 350
- Netzkabel
- Rackmontage-Kit und GummifüÙe
- Wandmontage-Paket für SF352-08, SF352-08MP, SF352-08P, SG350-10, SG350-10P, SG350-10MP oder SG350-10SFP
- Serielle Kabel DB-9 bis RJ45
- Schnellstartanleitung
- Pointer Card mit China RoHS
- Kontaktdaten des technischen Supports
- EU-Richtlinie 1999/5/Information zur Übereinstimmung mit EG-Vorgaben (nur für EU-SKUs)

1

Vorab

Stellen Sie vor der Installation sicher, dass Sie über Folgendes verfügen:

- RJ-45 Ethernet-Kabel (Kategorie 5e oder höher) zum Anschluss von Netzwerkgeräten.
- Konsolenkabel für die Verwendung des Konsolen-Ports zur Verwaltung ihres Switches.

- Tools für die Installation der Hardware. Das mit dem Switch gelieferte Rackmontage-Kit umfasst vier Gummifüße zur Platzierung auf dem Schreibtisch und zwei Klammern und zwölf Schrauben zur Rack-Montage. Sollten die mitgelieferten Schrauben verloren gehen, verwenden Sie Ersatzschrauben in der folgenden Größe:
 - Durchmesser des Schraubenkopfes: 6,9 mm
 - Länge der Schraube vom Kopf bis zum Fuß: 5,9 mm
 - Durchmesser des Schafts: 3,94 mm
- Das Wandmontage-Kit umfasst Schrauben und Dübel: Sollten die mitgelieferten Schrauben verloren gehen, verwenden Sie Ersatzschrauben in der folgenden Größe:
 - Durchmesser des Schraubenkopfes: 6,8 mm
 - Länge der Schraube vom Kopf bis zum Fuß: 16 mm
 - Durchmesser des Schafts: 3,5 x 1,3 mm
- Computer mit Microsoft Internet Explorer (Version 9.0, 10.0 oder 11.0), Mozilla Firefox (Version 51.0, 52.0, 53.0 oder höher) oder Google Chrome (Version 56, 57, 58 oder höher) für die Verwendung der webbasierten Benutzeroberfläche oder des Konsolen-Ports zur Verwaltung Ihres Switches.

2

Montage von Cisco Switches der Serie 350

Je nach Switch gibt es zwei oder drei Möglichkeiten zur Installation des Switches:

- Platzieren Sie den Switch auf einer flachen Oberfläche. Wenn Sie den Switch auf dem Schreibtisch platzieren möchten, montieren Sie die vier Gummifüße (enthalten) am Boden des Switches.
- Montieren Sie den Switch in einem Standard-Rack (1 HE Höhe).
- Viele der Cisco Switches der Serie 350 verfügen über Schlitze zu Wandmontage an der Unterseite des Geräts.

Tipps zur Platzierung

Stellen Sie das Gerät nicht an einem Ort bereit, an dem die folgenden Bedingungen existieren:

- **Umgebungstemperatur** – Um die Überhitzung des Switches zu verhindern, setzen Sie ihn an einem Ort ein, an dem die Umgebungstemperatur von 50 °C nicht überschritten wird.
- **Luftzirkulation** – Stellen Sie sicher, dass der Switch angemessen belüftet wird.
- **Mechanische Belastung** – Stellen Sie sicher, dass der Switch waagrecht und stabil steht, um Gefahren zu vermeiden.
- **Überlastung des Stromkreises** – Durch das Hinzufügen des Switches zum Stromkreislauf darf der Stromkreis nicht überlastet werden.

Rack-Montage

Sie können die Switches in jedem Rack mit Standardgröße (ca. 48 cm) montieren. Der Switch erfordert 1 HE Platz, was einer Höhe von 44,45 mm entspricht.

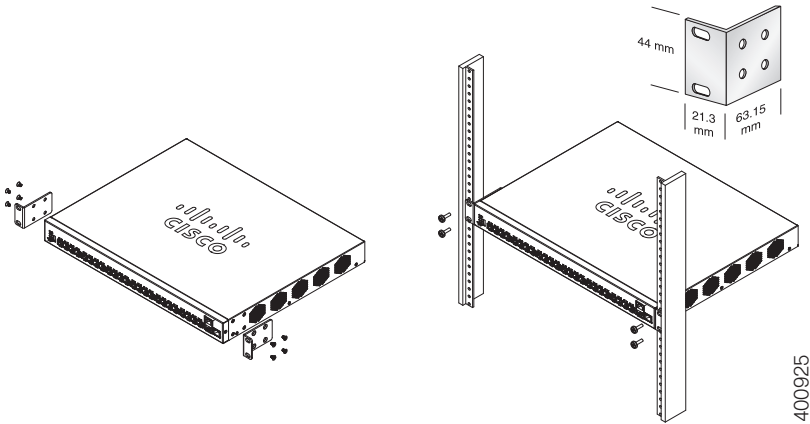


VORSICHT

Beladen Sie das Rack aus Stabilitätsgründen von unten nach oben, mit den schwersten Geräten unten. Ein kopflastiges Rack ist instabil und kann umkippen.

Installation des Switches in einem standardmäßigen Chassis (48 cm):

-
- SCHRITT 1** Montieren Sie eine der mitgelieferten Klammern so an der Seite des Switches, dass die vier Löcher der Klammern sich mit den Schraubenlöchern decken. Befestigen Sie dann die vier mitgelieferten Schrauben.
- SCHRITT 2** Wiederholen Sie den vorherigen Schritt, um die andere Klammer an der gegenüberliegenden Seite des Switches zu befestigen.
- SCHRITT 3** Nachdem die Klammern ordnungsgemäß befestigt wurden, kann der Switch nun in einem standardmäßigen 48-cm-Rack installiert werden.



Wandmontage

Die meisten der Cisco Switches der Serie 350 verfügen über Schlitz zu Wandmontage an der Unterseite des Geräts.



WARNUNG

Eine unsichere Montage kann das Gerät beschädigen und zu Verletzungen führen. Cisco trägt keine Verantwortung für Schäden, die durch unsichere Wand- oder Deckenmontage entstehen.

Montage des Switches an einer Wand:

- SCHRITT 1** Bestimmen Sie, wo Sie das Gerät montieren möchten. Stellen Sie sicher, dass die Oberfläche glatt, flach, trocken und stabil ist.
 - SCHRITT 2** Bohren Sie zwei Befestigungslöcher in die Oberfläche der Wand mit einem Abstand von 94 mm.
 - SCHRITT 3** Führen Sie eine Schraube in jedes Loch ein und lassen Sie eine Lücke zwischen der Oberfläche und dem Fuß des Schraubenkopfes.
 - SCHRITT 4** Platzieren Sie die Unterseite des Switches über den Schrauben und lassen Sie den Switch nach unten gleiten, bis die Schrauben in die Löcher passen.
-

3

Anschluss von Netzwerkgeräten

Anschluss des Switches an das Netzwerk:

SCHRITT 1 Verbinden Sie das Ethernetkabel mit dem Ethernetanschluss eines Computers, Druckers, Netzwerkspeichers oder eines anderen Netzwerkgeräts.

SCHRITT 2 Verbinden Sie das andere Ende des Ethernet-Kabels mit einem der durchnummerierten Ethernet-Anschlüsse des Switches.

Das Licht des Ethernet-Ports wird grün, wenn die Verbindung aktiv ist. Details zu den verschiedenen Ports und LEDs an jedem Switch finden Sie unter **Funktionen der Cisco Switches Serie 350**.

SCHRITT 3 Wiederholen Sie **Schritt 1** und **Schritt 2** für jedes Gerät, das Sie mit dem Switch verbinden möchten.

HINWEIS Für alle Ports ist ein Kabel der Kategorie 5e oder höher erforderlich. Wenn Sie Ihre Netzwerkgeräte verbinden, überschreiten Sie nicht die maximale Kabellänge von 100 Metern. Nach dem Anschließen kann es bis zu einer Minute dauern, bis die angeschlossenen Geräte oder das LAN einsatzbereit ist. Dies ist völlig normal.

Power-over-Ethernet-Überlegungen



WARNUNG Der Switch darf nur mit PoE-Netzwerken verbunden werden, die nicht mit dem Außennetz verbunden sind.

Wenn es sich bei Ihrem Switch um einen Switch der PoE-Modelle (Power over Ethernet) handelt, beachten Sie die folgenden Stromanforderungen:

Switches der Serie 350 mit Power over Ethernet

Modell	Strom für PoE	Anzahl der Ports, die PoE unterstützen	Unterstützter PoE-Standard
SF352-08P	62 Watt	1-8	802.3af/at
SF352-08MP	128 Watt	1-8	802.3af/at
SF350-24P	185 Watt	1 bis 24 *60-Watt PoE: Ports 1,2,13,14	802.3af/at 4-Paar-PoE

SF350-24MP	375 Watt	1 bis 24 *60-Watt PoE: Ports 1,2,13,14	802.3af/at 4-Paar-PoE
SF350-48P	382 Watt	1 bis 48 *60-Watt PoE: Ports 1,2,3,4,25,26,27,28	802.3af/at 4-Paar-PoE
SF350-48MP	740 Watt	1 bis 48 *60-Watt PoE: Ports 1,2,3,4,25,26,27,28	802.3af/at 4-Paar-PoE
SG350-10P	62 Watt	1-8	802.3af/at
SG350-10MP	128 Watt	1-8	802.3af/at
SG355-10P	62 Watt	1-8	802.3af/at
SG350-28P	195 Watt	1 bis 24 *60-Watt PoE: Ports 1,2,13,14	802.3af/at 4-Paar-PoE
SG350-28MP	382 Watt	1 bis 24 *60-Watt PoE: Ports 1,2,13,14	802.3af/at 4-Paar-PoE
SG350-52P	375 Watt	1 bis 48 *60-Watt PoE: Ports 1,2,3,4,25,26,27,28	802.3af/at 4-Paar-PoE
SG350-52MP	740 Watt	1 bis 48 *60-Watt PoE: Ports 1,2,3,4,25,26,27,28	802.3af/at 4-Paar-PoE
SG350-8PD	124 Watt	1-8	802.3af/at

*60-Watt PoE erweitert den IEEE Power over Ethernet Plus-Standard auf die doppelte Leistung pro Port auf 60 Watt.



VORSICHT

Beachten Sie Folgendes, wenn Sie Switches verwenden, die PoE bereitstellen:

Die PoE-Modelle der Switches sind PSE (Power Sourcing Equipment), die Gleichstrom für Stromgeräte bereitstellen. Diese Geräte umfassen VoIP-Telefone, IP-Kameras und Wireless Access Points. Die PoE-Switches können alte, mit Vornorm-PoE betriebene Geräte erkennen und mit Strom versorgen. Aufgrund der Unterstützung von altem PoE kann ein PoE-Switch, der als PSE fungiert, fälschlicherweise ein angehängtes PSE als altes Stromgerät erkennen und mit Strom versorgen, einschließlich anderer PoE-Switches. Obwohl PoE-Switches PSE sind und daher von Wechselstrom betrieben werden sollten, sollten Sie aufgrund fehlerhafter Erkennung von einem anderen PSE als altes Stromgerät hochgefahren werden. Wenn dies geschieht, kann der PoE-Switch möglicherweise nicht richtig funktionieren und deswegen evtl. die angehängten Stromgeräte nicht richtig mit Strom versorgen. Um eine fehlerhafte Erkennung zu verhindern, sollten Sie PoE an den Ports der PoE-Switches deaktivieren, die mit den PSEs verbunden waren. Außerdem sollten Sie ein PSE-Gerät erst hochfahren, bevor Sie es mit einem PoE-Switch verbinden. Wenn ein Gerät fälschlicherweise als Stromgerät erkannt wird, sollten Sie das Gerät vom PoE-Port trennen und die Wechselstromzufuhr aus- und einschalten, bevor Sie seine PoE-Ports verbinden.

4

Konfiguration der Cisco Switches der Serie 350

Bevor Sie beginnen

Der Zugriff auf den Switch und dessen Verwaltung kann auf zwei verschiedene Arten erfolgen: über Ihr IP-Netzwerk anhand der webbasierten Benutzeroberfläche oder mithilfe der Kommandozeilenschnittstelle des Switches über den Konsolen-Port. Die Verwendung des Konsolen-Ports erfordert fortgeschrittene Benutzerfertigkeiten.

Dies sind die Standardeinstellungen bei der ersten Konfiguration Ihres Switches.

Parameter	Standardwert
Benutzername	cisco
Kennwort	cisco
LAN-IP	192.168.1.254

Konfiguration Ihres Switches über die webbasierte Benutzeroberfläche

Um über eine webbasierte Benutzeroberfläche auf den Switch zuzugreifen, müssen Sie die vom Switch verwendete IP-Adresse kennen. Der Switch verwendet die werkseitig voreingestellte IP-Adresse 192.168.1.254 mit einem Subnetz von /24.

Verwendet der Switch die werkseitig voreingestellte IP-Adresse, blinkt die System-LED dauerhaft. Verwendet der Switch eine vom DHCP-Server zugewiesene IP-Adresse oder hat ein Administrator eine statische IP-Adresse konfiguriert, leuchtet die System-LED durchgehend grün (DHCP ist standardmäßig aktiviert).

HINWEIS Wenn Sie den Switch über eine Netzwerkverbindung verwalten und die IP-Adresse des Switches von einem DHCP-Server oder manuell geändert wird, geht Ihr Zugriff auf den Switch verloren. Sie müssen die neue IP-Adresse des Switches in Ihren Browser eingeben, um die webbasierte Benutzeroberfläche verwenden zu können. Wenn Sie den Switch über eine Konsolen-Port-Verbindung verwalten, bleibt der Link erhalten.

Konfiguration des Switches über die webbasierte Benutzeroberfläche:

SCHRITT 1 Schalten Sie den Computer und Ihren Switch ein.

SCHRITT 2 Verbinden Sie den Computer mit einem Netzwerk-Port.

SCHRITT 3 Richten Sie die IP-Konfiguration auf Ihrem Computer ein.

- a. Verwendet der Switch die standardmäßige statische IP-Adresse 192.168.1.254/24, müssen Sie für den Computer eine IP-Adresse im Bereich von 192.168.1.2 bis 192.168.1.253 wählen, die nicht bereits verwendet wird.
- b. Wenn die IP-Adresse per DHCP zugewiesen wird, stellen Sie sicher, dass der DHCP-Server läuft und von Switch und Computer erreicht werden kann. Sie müssen die Geräte möglicherweise trennen und wieder verbinden, damit Sie die neuen IP-Adressen vom DHCP-Server erkennen.

HINWEIS Details zur Änderung der IP-Adresse auf Ihrem Computer sind abhängig von der Architektur und dem verwendeten Betriebssystem. Verwenden Sie die lokale Funktion „Hilfe und Support“ des Computers und suchen Sie nach „IP-Adressen“.

SCHRITT 4 Öffnen Sie ein Webbrowser-Fenster. Wenn Sie bei der Verbindung mit dem Gerät aufgefordert werden, ein ActiveX-Plug-in zu installieren, befolgen Sie die Aufforderung zum Akzeptieren des Plug-ins.

SCHRITT 5 Geben Sie die IP-Adresse des Switches in die Adresszeile ein, und drücken Sie die **Eingabetaste**. Zum Beispiel `http://192.168.1.254`.

SCHRITT 6 Wenn die Anmeldeseite angezeigt wird, wählen Sie die Sprache, die Sie für die webbasierte Benutzeroberfläche verwenden möchten, und geben Sie Benutzernamen und Passwort ein.

Der Standardbenutzername lautet **cisco**. Das Standardkennwort lautet **cisco**. Bei Benutzernamen und Passwörtern wird zwischen Groß- und Kleinschreibung unterschieden.

SCHRITT 7 Klicken Sie auf **Anmelden**.

Wenn Sie sich zum ersten Mal mit Standard-Benutzername und -Passwort anmelden, wird die Seite „Passwort ändern“ angezeigt. Die Regeln für die Erstellung eines neuen Passworts werden auf der Seite angezeigt.

SCHRITT 8 Geben Sie ein neues Passwort ein, und bestätigen Sie es.

HINWEIS Die Passwortkomplexität ist standardmäßig aktiviert. Das Passwort muss den standardmäßigen Komplexitätsanforderungen entsprechen, oder es kann vorübergehend deaktiviert werden, indem Sie **Deaktivieren** neben der Option zur **Durchsetzung der Passwortstärke** aktivieren.

SCHRITT 9 Klicken Sie auf **Anwenden**.



VORSICHT

Stellen Sie sicher, dass Sie Konfigurationsänderungen speichern, bevor Sie die webbasierte Benutzeroberfläche verlassen, indem Sie auf das Symbol zum **Speichern** klicken. Wenn Sie die Benutzeroberfläche verlassen, bevor Sie die Konfiguration gespeichert haben, gehen alle Veränderungen verloren.

Die Seite „Erste Schritte“ wird geöffnet. Der Switch kann nun konfiguriert werden. Weitere Informationen finden Sie im Administratorleitfaden oder auf den Hilfeseiten.

Konfiguration Ihres Switches über den Konsolen-Port

So konfigurieren Sie den Switch über den Konsolen-Port:

SCHRITT 1 Verbinden Sie einen Computer über das mitgelieferte Konsolenkabel mit dem Konsolen-Port des Switches.

SCHRITT 2 Starten Sie ein Konsolen-Port-Dienstprogramm wie HyperTerminal auf dem Computer.

SCHRITT 3 Konfigurieren Sie das Dienstprogramm mit folgenden Parametern:

- 115200 Bit pro Sekunde
- 8 Datenbit
- keine Parität
- 1 Stopbit
- keine Flow-Kontrolle

SCHRITT 4 Geben Sie einen Benutzernamen und ein Passwort ein. Der Standard-Benutzername lautet **cisco** und das Standard-Passwort lautet **cisco**. Bei Benutzernamen und Passwörtern wird zwischen Groß- und Kleinschreibung unterschieden.

Wenn Sie sich zum ersten Mal mit Standard-Benutzername und -Passwort anmelden, wird die folgende Mitteilung angezeigt:

```
Bitte ändern Sie Ihr Passwort in den
Standardeinstellungen. Ändern Sie das Kennwort,
um Ihr Netzwerk besser zu schützen. Möchten Sie
Ihr Passwort ändern (J/N) [J]?
```

SCHRITT 5 Geben Sie **J** ein, und legen Sie ein neues Administrator-Passwort fest.

HINWEIS Die Passwortkomplexität ist standardmäßig aktiviert. Das Passwort muss den standardmäßigen Komplexitätsregeln entsprechen.

**VORSICHT**

Stellen Sie sicher, dass Sie Konfigurationsänderungen speichern, bevor Sie die webbasierte Benutzeroberfläche verlassen.

Der Switch kann nun konfiguriert werden. Den CLI-Leitfaden für Ihren Switch finden Sie unter www.cisco.com/go/350switches.

HINWEIS Wenn Sie kein DHCP in Ihrem Netzwerk verwenden, stellen Sie den Typ der IP-Adresse am Switch auf „Statisch“, und gleichen Sie die statische IP-Adresse und Subnetzmaske an Ihre Netzwerktopologie an. Tun Sie dies nicht, kann es passieren, dass mehrere Switches dieselbe werkseitig voreingestellte IP-Adresse 192.168.1.254 verwenden.

5

Funktionen der Cisco Switches Serie 350

In diesem Abschnitt wird die Außenseite des Smart Switches erläutert, um Sie mit Ihrem Switch vertraut zu machen.

Produktmodelle

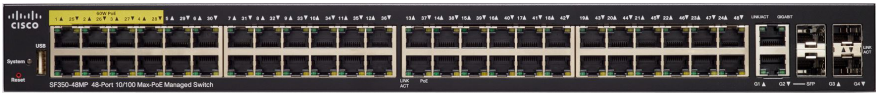
Modell	Beschreibung
SF350-08	10/100-Managed Switch mit 8 Ports
SF350-24	10/100-Managed Switch mit 24 Ports
SF350-24MP	10/100-PoE-Managed Switch mit 24 Ports
SF350-24P	10/100-PoE-Managed Switch mit 24 Ports
SF350-48	10/100-Managed Switch mit 48 Ports
SF350-48MP	10/100-PoE-Managed Switch mit 48 Ports
SF350-48P	10/100-PoE-Managed Switch mit 48 Ports
SF352-08	10/100-Managed Switch mit 8 Ports
SF352-08MP	10/100-PoE-Managed Switch mit 8 Ports
SF352-08P	10/100-PoE-Managed Switch mit 8 Ports
SG350-10	Gigabit-Managed Switch mit 10 Ports
SG350-10MP	Gigabit-PoE-Managed Switch mit 10 Ports
SG350-10P	Gigabit-PoE-Managed Switch mit 10 Ports
SG350-10SFP	Gigabit-Managed SFP-Switch mit 10 Ports
SG350-20	Gigabit-Managed Switch mit 20 Ports
SG350-28	Gigabit-Managed Switch mit 28 Ports
SG350-28MP	Gigabit-PoE-Managed Switch mit 28 Ports

Modell	Beschreibung
SG350-28P	Gigabit-PoE-Managed Switch mit 28 Ports
SG350-28SFP	Gigabit-Managed SFP-Switch mit 28 Ports
SG350-52	Gigabit-Managed Switch mit 52 Ports
SG350-52P	Gigabit-PoE-Managed Switch mit 52 Ports
SG350-52MP	Gigabit-PoE-Managed Switch mit 52 Ports
SG355-10P	Gigabit-PoE-Managed Switch mit 10 Ports
SG350-8PD	2.5G-PoE-Managed Switch mit 8 Ports

Vorderseite

Ports, LEDs und Rücksetztaste befinden sich auf der Vorderseite des Switches, wie in den folgenden Abbildungen gezeigt.

SF350-48MP



SG350-8PD



SG355-10P



Ports an der Vorderseite

USB-Port: Der USB-Port verbindet den Switch mit einem USB-Gerät, damit Sie die Konfigurationsdateien, Firmware-Images und SYSLOG-Dateien über das verbundene USB-Gerät speichern und wiederherstellen können.

RJ-45 Ethernet-Ports: Die RJ-45-Ports verbinden Netzwerkgeräte wie Computer, Drucker und Access Points mit dem Switch.

Multigigabit-Ethernet-Ports: Blau hervorgehoben; diese Ports unterstützen Geschwindigkeiten von 100 Mbit/s, 1 Gbit/s und 2,5 Gbit/s auf Kabeln der Kategorie 5e. Ein Großteil der verwendeten Kabel weltweit ist auf 1 Gbit/s auf 100 Meter beschränkt. Das Multigigabit-Ethernet von Cisco ermöglicht Geschwindigkeiten von bis zu 2,5 Gbit/s in der gleichen Infrastruktur, ohne Kabel auszutauschen.

60-Watt-PoE-Ports: Gelb hervorgehoben; die 60-Watt-PoE-Ports verdoppeln die PoE-Leistung auf 60W.

SFP-Port (falls vorhanden): Die SFP-Ports (Small Form-Factor Stecksystem) sind Anschlusspunkte für Module, damit der Switch eine Verbindung mit anderen Switches herstellen kann. Diese Ports werden gemeinhin auch als miniGBIC-Ports (miniGigaBit Interface Converter) bezeichnet. In dieser Anleitung wird die Bezeichnung SFP verwendet.

- Einige SFP-Schnittstellen werden mit einem anderen RJ-45-Port, einem sogenannten Kombo-Port, geteilt. Wenn der SFP aktiv ist, ist der angrenzende RJ-45-Port deaktiviert.
- Die LEDs des entsprechenden RJ-45-Ports blinkt grün, um auf den Datenverkehr der SFP-Schnittstelle zu reagieren.

LEDs an der Vorderseite

System-LED: (Grün) Die LED leuchtet durchgehend, wenn der Switch eingeschaltet ist, und blinkt beim Booten, bei der Durchführung von Selbsttests sowie beim Abrufen einer IP-Adresse. Blinkt die LED gelb, hat der Switch einen Hardware-Fehler, einen Firmware-Fehler und/oder einen Konfigurationsdateifehler festgestellt.

LINK/ACT: (Grün) Auf der linken Seite des Ports. Die LED leuchtet durchgehend, wenn eine Verbindung zwischen dem entsprechenden Port und einem anderen Gerät erkannt wird. Sie blinkt, wenn der Port Datenverkehr weiterleitet.

Gigabit: (Grün) Auf der rechten Seite des Ports. Die LED leuchtet durchgehend, wenn ein anderes Gerät mit dem Port verbunden, eingeschaltet und eine 1000-Mbit/s-Verbindung zwischen den Geräten hergestellt wird. Ist die LED aus, liegt die Verbindungsgeschwindigkeit unter 1000 Mbit/s, oder es ist kein Kabel an den Port angeschlossen.

PoE (falls vorhanden): (Gelb) Auf der rechten Seite des Ports. Die LED leuchtet durchgehend, wenn Strom für ein mit dem entsprechenden Port verbundenes Gerät bereitgestellt wird.

Rücksetztaste

Der Switch kann zurückgesetzt werden, indem Sie eine Nadel oder eine Büroklammer in die Öffnung zum **Zurücksetzen** an der Vorderseite des Switches einführen. Details finden Sie unter **Zurücksetzen der Switches auf die Werkseinstellungen**.

Rückseite

Die Stromversorgung und der Konsolen-Port befinden sich auf der Rückseite des Switches. Die Rückseite Ihres Switches sieht möglicherweise anders aus und ermöglicht, falls Ihr Modell einen Ventilator besitzt, eine angemessene Luftzirkulation.



Strom: Verbindet den Switch mit Wechselstrom

Konsole: Verbindet ein serielles Kabel mit dem seriellen Port eines Computers, damit er über ein Terminalemulationsprogramm konfiguriert werden kann

6

Zurücksetzen der Switches auf die Werkseinstellungen

Gehen Sie folgendermaßen vor, um mit der **Rücksetz**-Taste einen Neustart durchzuführen oder den Switch auf die Werkseinstellungen zurückzusetzen:

- Um einen **Neustart** des Switches durchzuführen, drücken Sie die **Rücksetz**-Taste für weniger als zehn Sekunden.
- Zurücksetzen des Switches auf die Werkseinstellungen:
 - Trennen Sie den Switch vom Netzwerk, oder deaktivieren Sie alle DHCP-Server in Ihrem Netzwerk.
 - Halten Sie bei eingeschaltetem Gerät die **Rücksetz**-Taste mit einer Büroklammer länger als 10 Sekunden gedrückt.

Fehlerbehebung Ihrer Verbindung

Wenn Sie nicht von der webbasierten Benutzeroberfläche auf Ihren Switch zugreifen können, ist der Switch möglicherweise nicht von Ihrem Computer erreichbar. Sie können die Netzwerkverbindungen prüfen, indem Sie auf einem Computer mit Windows den Befehl ping verwenden:

SCHRITT 1 Öffnen Sie ein Befehlsfenster, indem Sie **Start > Ausführen** wählen und **cmd** eingeben.

SCHRITT 2 Geben Sie im Befehlsfenster **Ping** und die IP-Adresse des Switches ein. Zum Beispiel **Ping 192.168.1.254** (die standardmäßige IP-Adresse des Switches).

Wenn Sie den Switch erreichen können, sollten Sie eine Antwort ähnlich der folgenden erhalten:

```
Ping wird ausgeführt für 192.168.1.254 mit 32 Byte Daten:  
Antwort von 192.168.1.254: bytes=32 Zeit<1ms TTL=128
```

Wenn Sie den Switch nicht erreichen können, sollten Sie eine Antwort ähnlich der folgenden erhalten:

```
Ping wird ausgeführt für 192.168.1.254 mit 32 Byte Daten:  
Zeitüberschreitung der Anforderung.
```

Mögliche Ursachen und Lösungen

Der Switch ist nicht eingeschaltet

- Prüfen Sie, ob das Netzkabel fest mit dem Switch und dem Stromanschluss verbunden ist.
- Stellen Sie sicher, dass der Stromanschluss aktiv ist.
- Stellen Sie sicher, dass der Computer eingeschaltet ist.
- Wenn das Problem weiterhin besteht, ersetzen Sie den Netzadapter, bevor Sie den Switch ersetzen.

Fehlerhafte Ethernet-Verbindung

- Prüfen Sie, ob die LEDs ordnungsgemäß leuchten. Details finden Sie unter **Vorderseite**.
- Überprüfen Sie die Anschlüsse des Ethernet-Kabels, um sicherzustellen, dass diese fest mit dem Switch und Ihrem Computer verbunden sind.
- Verwenden Sie ein anderes Ethernet-Kabel oder einen anderen Port.

Fehlerhafte Verbindung mit dem Konsolen-Port

- Prüfen Sie, ob die Anschlüsse des Konsolenkabels fest mit Switch und Computer verbunden sind.
- Prüfen Sie, ob das Konsolen-Port-Dienstprogramm mit den korrekten Parametern konfiguriert wurde.

Falsche IP-Adresse

- Der Zugriff auf die Cisco Switches kann auch über das Cisco FindIT Network Discovery Utility erfolgen. Dieses erkennt automatisch alle Cisco Small Business-Geräte im selben lokalen Netzwerksegment wie Ihr Computer. Sie können Geräteinformationen wie die aktuelle IP-Adresse anzeigen, die neueste Firmware für das Gerät herunterladen oder das Dienstprogramm für die Produktkonfiguration starten, um die Einstellungen anzuzeigen und zu konfigurieren. Weitere Informationen finden Sie unter www.cisco.com/go/findit.
- Prüfen Sie, ob Sie die korrekte IP-Adresse des Switches verwenden. Bestimmen Sie die aktuelle IP-Adresse des Switches von der CLI über den Konsolen-Port, Cisco FindIT oder über Ihren Netzwerkadministrator. Die System-LED gibt Aufschluss darüber, wo der Switch die IP-Adresse erhalten hat. (Details unter [Vorderseite](#).)
- Stellen Sie sicher, dass kein anderes Gerät dieselbe IP-Adresse wie der Switch verwendet.

Keine IP-Route

Wenn sich der Switch und Ihr Computer in verschiedenen Subnetzen befinden, benötigen Sie mindestens einen Router, um die Pakete zwischen den zwei Subnetzen zu vermitteln.

Ungewöhnlich lange Zugriffszeit

Aufgrund der standardmäßigen Spanning Tree Loop Detection-Logik kann es beim Hinzufügen neuer Verbindungen 30 bis 60 Sekunden dauern, bis die betroffenen Benutzeroberflächen und/oder das LAN einsatzbereit sind.

7

Weitere Informationen

Cisco Support Community	www.cisco.com/go/smallbizsupport
Cisco Support und Ressourcen	www.cisco.com/go/smallbizhelp
Telefonsupport-Kontakte	www.cisco.com/en/US/support/tsd_cisco_small_business_support_center_contacts.html
Cisco Firmware-Downloads	www.cisco.com/go/smallbizfirmware Wählen Sie einen Link aus, um Firmware für Cisco Produkte herunterzuladen. Es ist keine Anmeldung erforderlich.

Cisco Open Source-Anfragen	Um ein Exemplar des Quellcodes zu erhalten, zu dem Sie im Rahmen der entsprechenden kostenlosen/Open Source-Lizenz(en) (beispielsweise GNU Lesser/General Public License) berechtigt sind, senden Sie eine Anfrage an: externalopensource-requests@cisco.com Geben Sie in Ihrer Anfrage bitte den Namen und die Version des Cisco Produkts sowie die 18-stellige Referenznummer an (zum Beispiel: 7XEEX17D99-3X49X081), die Sie in der Open Source-Dokumentation des Produkts finden.
Cisco Partner Central (Partner-Anmeldung erforderlich)	www.cisco.com/web/partners/sell/smb
Produktdokumentation	
Serie 350	www.cisco.com/go/350switches
Erfüllung gesetzlicher Auflagen und Sicherheitsinformationen	www.cisco.com/en/US/docs/switches/lan/csb_switching_general/rcsi/Switch_RCSI.pdf
Garantieinformationen	www.cisco-warrantyfinder.com



WARNUNG

Dies ist ein Produkt der Klasse A. In einem häuslichen Umfeld kann dieses Produkt Funkstörungen verursachen. In diesem Fall muss der Benutzer möglicherweise entsprechende Maßnahmen ergreifen.

Hauptsitz für Nord- und Südamerika

Cisco Systems, Inc.
www.cisco.com



Cisco verfügt über mehr als 200 Niederlassungen weltweit.
Die Adressen, Telefon- und Faxnummern
finden Sie auf der Cisco Website unter
www.cisco.com/go/offices.

78-101213-01A0

Cisco und das Cisco Logo sind Marken oder eingetragene Marken von Cisco und/oder Partnerunternehmen in den USA und anderen Ländern. Eine Liste der Marken von Cisco finden Sie unter dieser URL: www.cisco.com/go/trademarks. Die genannten Marken anderer Anbieter sind Eigentum der jeweiligen Inhaber. Die Verwendung des Worts „Partner“ impliziert keine gesellschaftsrechtliche Beziehung zwischen Cisco und einem anderen Unternehmen. (1110R)

© 2017 Cisco Systems, Inc. Alle Rechte vorbehalten.



Guía de inicio rápido



Switches administrados Cisco serie 350

Bienvenido

Gracias por elegir los switches administrados Cisco de la serie 350. Estos switches se diseñaron y configuraron de fábrica para funcionar como switches estándares de capa 2 y 3. En la configuración predeterminada, su switch reenvía paquetes entre los dispositivos de conexión tras el encendido.

Esta guía le permite familiarizarse con la disposición del switch y en ella se describe cómo implementar el switch en su red. Para obtener más información, visite www.cisco.com/go/350switches.

Contenido del paquete

- Switch administrado Cisco serie 350
- Cable de alimentación eléctrica
- Kit de montaje en rack y pies de goma
- Paquete de montaje en pared para SF352-08, SF352-08MP, SF352-08P, SG350-10, SG350-10P, SG350-10MP o SG350-10SFP
- Cable serial DB-9 a RJ45
- Guía de inicio rápido
- Tarjeta informativa con RoHS de China
- Contactos de soporte técnico
- Información de cumplimiento de las directivas de la Unión Europea 1999/5/EC (para las SKU de la UE únicamente)

1

Antes de empezar

Antes de comenzar la instalación, asegúrese de contar con lo siguiente:

- Cables Ethernet RJ-45 de categoría 5e o superior para conectar los dispositivos de red.
- Cable de la consola para usar el puerto de la consola para administrar el switch.

- Herramientas para instalar el hardware. El kit de montaje en rack que viene con el switch contiene cuatro pies de goma para ubicar la unidad sobre el escritorio, y dos soportes y doce tornillos para montaje en rack. Si los tornillos provistos se pierden, use tornillos de reemplazo del siguiente tamaño:
 - Diámetro de la cabeza del tornillo: 6,9 mm
 - Longitud de la cara de la cabeza del tornillo a su base: 5,9 mm
 - Diámetro del eje: 3,94 mm
- El kit de montaje en pared incluye tornillos y anclas. Si los tornillos provistos se pierden, use tornillos de reemplazo del siguiente tamaño:
 - Diámetro de la cabeza del tornillo: 6,8 mm
 - Longitud de la cara de la cabeza del tornillo a su base: 16 mm
 - Diámetro del eje: 3,5 x 1,3 mm
- Equipo con Microsoft Internet Explorer (versión 9.0, 10.0, 11.0), Mozilla Firefox (versión 51.0, 52.0, 53.0 o superior) o Google Chrome (versión 56, 57, 58 o superior) para usar la interfaz basada en la Web o el puerto de la consola para administrar el switch.

2

Montaje de los switches Cisco Serie 350

En función de cuál sea su switch, hay dos o tres formas de instalarlo:

- Colocar el switch sobre una superficie plana. Para colocar el switch en un escritorio, instale los cuatro pies de goma (incluidos) en la parte interior del switch.
- Instalar el switch montado en un bastidor estándar (una unidad de bastidor de alto).
- Muchos de los switches Cisco de la serie 350 incluyen ranuras para montaje en pared en la parte inferior del dispositivo.

Consejos para la colocación

No implemente el switch en una ubicación donde exista alguna de las siguientes condiciones:

- **Temperatura ambiente:** para evitar que el switch se recaliente, no lo haga funcionar en un área donde la temperatura ambiente supere los 122 °F (50 °C).
- **Circulación de aire:** asegúrese de que la circulación de aire alrededor del switch sea adecuada.

- **Cargas mecánicas:** asegúrese de que el switch esté nivelado y estable para evitar situaciones peligrosas.
- **Sobrecarga del circuito:** al conectar el switch a la toma de corriente, el circuito no debe sobrecargarse.

Montaje en rack

Puede montar los switches en cualquier rack de tamaño estándar, de 19 in (aproximadamente 48 cm) de ancho. El switch requiere 1 unidad de rack (RU) de espacio, que es igual a 1,75 in (44,45 mm) de alto.



PRECAUCIÓN

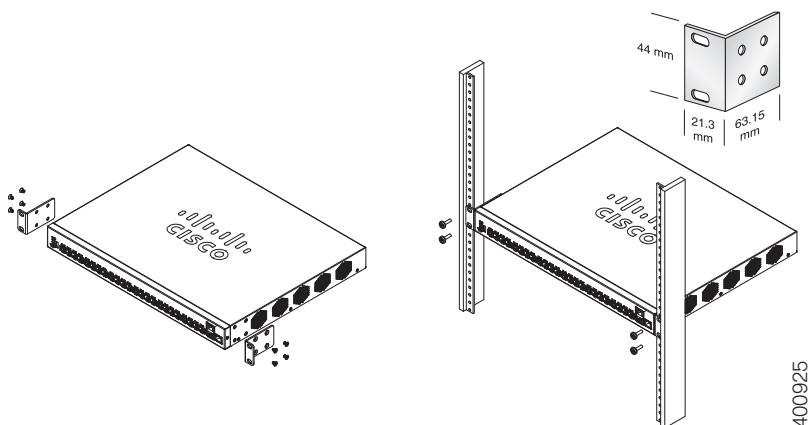
Para mayor estabilidad, cargue el bastidor desde abajo hacia arriba con los dispositivos más pesados en la parte inferior. Si coloca un bastidor con mucho peso en la parte superior es probable que se desestabilice y se caiga.

Para instalar el switch en un chasis estándar de 19 in:

PASO 1 Coloque uno de los soportes provistos en el lateral del switch de modo que los cuatro orificios de los soportes se alineen con los orificios de los tornillos y, luego, use los cuatro tornillos provistos para asegurarlo.

PASO 2 Repita el paso anterior para conectar el otro soporte en el lado opuesto del switch.

PASO 3 Después de fijar los soportes en forma segura, el switch estará listo para instalarse en un rack estándar de 19 in.



Montaje en pared

La mayoría de los switches Cisco de la serie 350 incluyen ranuras para montaje en pared en la parte inferior del dispositivo.



ADVERTENCIA

Un montaje poco firme puede dañar el dispositivo o provocar lesiones. Cisco no se responsabiliza por los daños ocasionados por un montaje inseguro en la pared o el techo.

Para montar el switch en una pared:

- PASO 1** Decida en qué sitio desea instalar el dispositivo. Compruebe si la superficie es lisa, plana, maciza y está seca.
- PASO 2** Perfore dos orificios guía en la superficie de la pared a 94 mm de distancia entre sí.
- PASO 3** Inserte un tornillo en cada orificio y deje un espacio entre la superficie y la base de la cabeza del tornillo.
- PASO 4** Coloque la parte inferior del switch sobre los tornillos y deslice el switch hacia abajo hasta que los tornillos queden firmes dentro de las ranuras.

3

Conexión de los dispositivos de red

Para conectar el switch a la red:

- PASO 1** Conecte el cable Ethernet al puerto Ethernet de una computadora, impresora, red de almacenamiento u otros dispositivos de red.
- PASO 2** Conecte el otro extremo del cable Ethernet a uno de los puertos Ethernet numerados del switch.

La luz del puerto Ethernet se ilumina de color verde cuando la conexión está activa. Consulte [Funciones de los switches Cisco Serie 350](#) para obtener más información sobre los distintos puertos e indicadores LED de cada switch.
- PASO 3** Repita el **Paso 1** y el **Paso 2** para cada dispositivo que quiera conectar al switch.

NOTA Se requiere un cable de categoría 5e y superior para todos los puertos. Al conectar los dispositivos de red, no exceda la distancia de cableado máxima de 328 ft (100 m). Los dispositivos o la red LAN pueden tardar hasta un minuto en funcionar después de ser conectados. Este comportamiento es normal.

Consideraciones de la alimentación por Ethernet



ADVERTENCIA

El switch deberá estar conectado solamente a las redes PoE sin enrutamiento a la planta externa.

Si el switch es uno de los modelos de alimentación por Ethernet (PoE), tenga en cuenta los siguientes requisitos de alimentación:

Switches de la serie 350 con alimentación a través de Ethernet

Modelo	Energía dedicada a PoE	Cantidad de puertos compatibles con PoE	Compatibilidad con estándar PoE
SF352-08P	62 vatios	1-8	802.3af/at
SF352-08MP	128 vatios	1-8	802.3af/at
SF350-24P	185 vatios	1-24 *PoE de 60 vatios: puertos 1, 2, 13, 14	802.3af/at 4-pair PoE
SF350-24MP	375 vatios	1-24 *PoE de 60 vatios: puertos 1, 2, 13, 14	802.3af/at 4-pair PoE
SF350-48P	382 vatios	1-48 *PoE de 60 vatios: puertos 1, 2, 3, 4, 25, 26, 27, 28	802.3af/at 4-pair PoE
SF350-48MP	740 vatios	1-48 *PoE de 60 vatios: puertos 1, 2, 3, 4, 25, 26, 27, 28	802.3af/at 4-pair PoE
SG350-10P	62 vatios	1-8	802.3af/at
SG350-10MP	128 vatios	1-8	802.3af/at
SG355-10P	62 vatios	1-8	802.3af/at

Switches de la serie 350 con alimentación a través de Ethernet

Modelo	Energía dedicada a PoE	Cantidad de puertos compatibles con PoE	Compatibilidad con estándar PoE
SG350-28P	195 vatios	1–24 *PoE de 60 vatios: puertos 1, 2, 13, 14	802.3af/at 4-pair PoE
SG350-28MP	382 vatios	1–24 *PoE de 60 vatios: puertos 1, 2, 13, 14	802.3af/at 4-pair PoE
SG350-52P	375 vatios	1–48 *PoE de 60 vatios: puertos 1, 2, 3, 4, 25, 26, 27, 28	802.3af/at 4-pair PoE
SG350-52MP	740 vatios	1–48 *PoE de 60 vatios: puertos 1, 2, 3, 4, 25, 26, 27, 28	802.3af/at 4-pair PoE
SG350-8PD	124 vatios	1-8	802.3af/at

*PoE de 60 vatios extiende la norma de alimentación por Ethernet Plus para duplicar la alimentación por puerto a 60 vatios.



Considere lo siguiente al conectar switches capaces de suministrar PoE:

Los modelos PoE de los switches son PSE (equipos de fuente de alimentación) capaces de suministrar alimentación eléctrica de CC a los PD conectados (dispositivos alimentados). Entre estos dispositivos se incluyen los teléfonos VoIP, las cámaras IP y los puntos de acceso inalámbrico. Los switches PoE pueden detectar y suministrar energía a dispositivos alimentados por PoE heredado preestándar. Debido a la compatibilidad con la PoE heredada, es posible que un switch PoE que actúa como PSE sea detectado por error y suministre energía a un PSE conectado, incluidos otros switches PoE, como un PD heredado.

A pesar de que los switches PoE son PSE, y como tales deberían ser alimentados por CA, pueden recibir alimentación como PD heredados a través de otro PSE por detección falsa. Cuando ocurre esto, es posible que el switch PoE no funcione correctamente y que pueda suministrar energía correctamente a sus PD conectados. Para evitar una detección falsa, debe desconectar PoE en los puertos de los switches PoE que se utilizan para conectar los PSE. También puede encender primero un dispositivo PSE antes de conectarlo al switch PoE. Cuando se detecta un dispositivo, de manera falsa, como un PD, debe desconectar el dispositivo del puerto PoE y reciclar la energía del dispositivo con alimentación de CA antes de reconectar los puertos PoE.

4

Configuración de los switches Serie 350

Antes de empezar

Existen dos métodos para obtener acceso al switch y administrarlo: a través de la red IP mediante la interfaz basada en la Web, o con la interfaz de línea de comandos del switch a través del puerto de la consola. Para usar el puerto de la consola se requieren habilidades de usuario avanzado.

Estos son los parámetros predeterminados que se usan al configurar el switch por primera vez.

Parámetro	Valor predeterminado
Nombre de usuario	cisco
Contraseña	cisco
IP de LAN	192.168.1.254

Configuración del switch con la interfaz basada en la Web

Para obtener acceso al switch con una interfaz basada en la Web, deberá conocer la dirección IP que el switch está utilizando. El switch usa la dirección IP predeterminada de fábrica de 192.168.1.254, con una subred de /24.

Si el switch usa la dirección IP predeterminada de fábrica, el indicador LED de System (Sistema) parpadea continuamente. Cuando el switch usa una dirección IP asignada por el servidor DHCP o una dirección IP estática configurada por el administrador, el indicador LED del sistema permanece encendido de color verde (DHCP está habilitado de forma predeterminada).

NOTA Si administra el switch a través de una conexión de red y se cambia la dirección IP del switch, ya sea mediante el servidor DHCP o manualmente, usted perderá acceso al switch. Debe ingresar en el explorador la nueva dirección IP que el switch está utilizando para utilizar la interfaz basada en la Web. Si administra el switch a través de una conexión del puerto de la consola, se conserva el enlace.

Para configurar el switch con la interfaz basada en la Web:

PASO 1 Encienda la computadora y el switch.

PASO 2 Conecte la computadora a cualquier puerto de red.

PASO 3 Establezca la configuración IP en la computadora.

- a. Si el switch usa la dirección IP estática predeterminada de 192.168.1.254/24, debe elegir una dirección IP para la computadora en el intervalo de 192.168.1.2 a 192.168.1.253 que no esté en uso.
- b. Si las direcciones IP se asignarán a través de DHCP, asegúrese de que el servidor DHCP esté en funcionamiento y que pueda acceder a él desde el switch y la computadora. Es posible que deba desconectar y volver a conectar los dispositivos para que detecten las nuevas direcciones IP del servidor DHCP.

NOTA La información acerca de cómo cambiar la dirección IP de su computadora depende del tipo de arquitectura y sistema operativo que utilice. Use la funcionalidad de Ayuda y Soporte local de sus computadoras y busque “IP Addressing” (Asignación de direcciones IP).

PASO 4 Abra una ventana del explorador web. Si se le solicita que instale un complemento ActiveX al conectar el dispositivo, siga las instrucciones para aceptar el complemento.

PASO 5 Introduzca la dirección IP del switch en la barra de direcciones y presione **Enter** (Intro). Por ejemplo: <http://192.168.1.254>.

PASO 6 Cuando aparezca la página de inicio de sesión, elija el idioma que prefiera usar en la interfaz basada en la Web e ingrese el nombre de usuario y la contraseña.

El nombre de usuario predeterminado es **cisco** y La contraseña predeterminada es **cisco**. Los nombres de usuario y las contraseñas distinguen entre mayúsculas y minúsculas.

PASO 7 Haga clic en **Iniciar sesión**.

Si es la primera vez que inicia sesión con el nombre de usuario y la contraseña predeterminados, se abre la página Change Password (Cambiar contraseña). En la página se muestran las reglas para crear un usuario y una contraseña nuevos.

PASO 8 Escriba una nueva contraseña y confírmela.

NOTA La opción Complejidad de la contraseña está activada de manera predeterminada. La contraseña debe cumplir con las reglas de complejidad predeterminadas o se puede inhabilitar temporalmente seleccionando **Disable** (Deshabilitar) junto a la opción **Password Strength Enforcement** (Cumplimiento de seguridad de la contraseña).

PASO 9 Haga clic en **Aplicar**.



PRECAUCIÓN

Asegúrese de guardar todos los cambios de configuración que realice antes de salir de la interfaz basada en la Web. Para ello, haga clic en el ícono **Save** (Guardar). Si sale antes de guardar la configuración, todos los cambios se pierden.

Se abre la página Getting Started (Introducción). Ahora está listo para configurar el switch. Consulte la Guía de administración o las páginas de ayuda para obtener más información.

Configuración del switch con el puerto de la consola

Para configurar el switch con el puerto de la consola:

-
- PASO 1** Conecte una computadora al puerto de la consola del switch con el cable de la consola suministrado.
- PASO 2** Inicie una utilidad de puerto de la consola como HyperTerminal en la computadora.
- PASO 3** Configure la utilidad con los siguientes parámetros:
- 115200 bits por segundo
 - 8 bits de datos
 - sin paridad
 - 1 bit de parada
 - sin control de flujo
- PASO 4** Ingrese un nombre de usuario y una contraseña. El nombre de usuario predeterminado es **cisco** y la contraseña predeterminada es **cisco**. Los nombres de usuario y las contraseñas distinguen entre mayúsculas y minúsculas.

Si es la primera vez que inicia sesión con el nombre de usuario y la contraseña predeterminados, aparece el siguiente mensaje:

```
Cambie la contraseña de los valores
predeterminados. Cambie la contraseña para una
mejor protección de la red. ¿Desea cambiar la
contraseña (S/N) [S]?
```

- PASO 5** Ingrese **S** y establezca una nueva contraseña de administrador.

NOTA La opción Complejidad de la contraseña está activada de manera predeterminada. La contraseña debe cumplir con las reglas de complejidad predeterminadas.



PRECAUCIÓN

Asegúrese de que los cambios de configuración se guarden antes de salir.

Ahora está listo para configurar el switch. Consulte www.cisco.com/go/350switches para encontrar la guía de interfaz de línea de comandos (CLI) de su switch.

NOTA Si no usa DHCP en la red, establezca el tipo de dirección IP en el switch en Static (Estática) y cambie la dirección IP estática y la máscara de subred para que coincida con la topología de red. Si esto no se realiza, es posible que muchos switches utilicen la misma dirección IP predeterminada de fábrica 192.168.1.254.

5

Funciones de los switches Cisco Serie 350

En esta sección se describe el exterior del switch para permitirle familiarizarse con su switch.

Modelos de productos

Modelo	Descripción
SF350-08	Switch administrable 10/100 de 8 puertos
SF350-24	Switch administrable 10/100 de 24 puertos
SF350-24MP	Switch administrable PoE 10/100 de 24 puertos
SF350-24P	Switch administrable PoE 10/100 de 24 puertos
SF350-48	Switch administrable 10/100 de 48 puertos
SF350-48MP	Switch administrable PoE 10/100 de 48 puertos
SF350-48P	Switch administrable PoE 10/100 de 48 puertos
SF352-08	Switch administrable 10/100 de 8 puertos
SF352-08MP	Switch administrable PoE 10/100 de 8 puertos
SF352-08P	Switch administrable PoE 10/100 de 8 puertos
SG350-10	Switch Gigabit administrable de 10 puertos
SG350-10MP	Switch Gigabit administrable PoE de 10 puertos
SG350-10P	Switch Gigabit administrable PoE de 10 puertos
SG350-10SFP	Switch SFP Gigabit administrable de 10 puertos
SG350-20	Switch Gigabit administrable de 20 puertos
SG350-28	Switch Gigabit administrable de 28 puertos
SG350-28MP	Switch Gigabit administrable PoE de 28 puertos

Modelo	Descripción
SG350-28P	Switch Gigabit administrable PoE de 28 puertos
SG350-28SFP	Switch SFP Gigabit administrable de 28 puertos
SG350-52	Switch Gigabit administrable de 52 puertos
SG350-52P	Switch Gigabit administrable PoE de 52 puertos
SG350-52MP	Switch Gigabit administrable PoE de 52 puertos
SG355-10P	Switch Gigabit administrable PoE de 10 puertos
SG350-8PD	Switch administrable PoE 2.5G de 8 puertos

Panel frontal

Los puertos, los indicadores luminosos y el botón de reinicio se encuentran en el panel frontal del switch, como se representa en las siguientes ilustraciones.

SF350-48MP



SG350-8PD



SG355-10P



Puertos del panel frontal

Puerto USB: el puerto USB conecta el switch con un dispositivo USB para que usted pueda guardar y restaurar los archivos de configuración, las imágenes de firmware y los archivos SYSLOG a través del dispositivo USB conectado.

Puertos Ethernet RJ-45: los puertos Ethernet RJ-45 conectan dispositivos de red, como computadoras, impresoras y puntos de acceso, al switch.

Puertos Ethernet Multigigabit: Resaltados en azul, estos puertos admiten velocidades de hasta 100 Mbps, 1 Gbps y 2,5 Gbps, en cables de categoría 5e. La mayoría del cableado implementado a nivel mundial se limita a 1 Gbps cada 100 metros. El Ethernet Multigigabit de Cisco permite velocidades de hasta 2,5 Gbps en la misma infraestructura sin reemplazar un cable.

Puertos PoE de 60 vatios: destacados en amarillo, los puertos PoE de 60 vatios duplican la energía PoE a 60 vatios.

Puerto SFP (si hubiera): los puertos de factor de forma pequeño enchufable (SFP) son puntos de conexión de los módulos, para que el switch pueda conectarse a otros switches. Estos puertos también se conocen como puertos convertidores de interfaz miniGigaBit (miniGBIC). En esta guía, se usa el término SFP.

- Algunas interfaces de SFP se comparten con otro puerto RJ-45 llamado puerto combinado. Cuando el SFP está activo, el puerto RJ-45 adyacente está deshabilitado.
- Los indicadores LED del puerto RJ-45 correspondiente parpadean en verde para responder al tráfico de interfaz SFP.

Indicadores LED

Sistema: (verde) las luces LED se encienden en forma permanente si el switch está encendido y parpadea en el inicio, al realizar pruebas automáticas o al adquirir una dirección IP. Si el indicador LED parpadea en color ámbar, el switch ha detectado una falla del hardware, una falla del firmware o un error de archivo de configuración.

LINK/ACT (ENLACE/ACTIVIDAD): (verde) ubicado del lado izquierdo de cada puerto. Las luces LED se encienden en forma permanente si se detecta un vínculo entre el puerto correspondiente y otro dispositivo, y parpadea cuando hay tráfico en el puerto.

Gigabit: (verde) se encuentra a la derecha del puerto. Las luces LED se encienden en forma permanente si hay otro dispositivo conectado al puerto, si el switch está encendido y si se establece un vínculo de 1000 Mbps entre los dispositivos. Cuando el indicador luminoso está apagado, la velocidad de conexión está por debajo de los 1000 Mbps o no hay ningún dispositivo conectado al puerto.

PoE (alimentación por Ethernet) (si hubiera): (ámbar) ubicado del lado derecho del puerto. Las luces LED se encienden en forma permanente cuando un dispositivo conectado al puerto correspondiente recibe energía.

Botón de reinicio

El switch puede restablecerse al insertar una clavija o un sujetapapeles en el orificio del botón **Reset** (Reiniciar) del panel frontal del switch. Para obtener más información, consulte [Cómo restablecer la configuración predeterminada de fábrica de los switches](#).

Panel posterior

El puerto de encendido y el puerto de la consola se encuentran en el panel posterior del switch. La parte posterior de su switch en particular puede ser diferente y, si su modelo tiene un ventilador, permita la correcta circulación del aire.



Energía: conecta el switch a la energía CA.

Consola: conecta un cable serie al puerto serie de una computadora para que se pueda configurar con el programa de emulación de terminal.

6

Cómo restablecer la configuración predeterminada de fábrica de los switches

Para usar el botón **Reset** (Restablecer) para reiniciar o restablecer el switch, realice lo siguiente:

- Para **reiniciar** el switch, mantenga presionado el botón **Reset** (Restablecer) durante menos de diez segundos.
- Para restaurar el switch a los valores predeterminados de fábrica:
 - Desconecte el switch de la red o desactive todos los servidores DHCP de la red.
 - Con el dispositivo encendido, mantenga presionado el botón **Reset** (Restablecer) durante al menos diez segundos.

Solución de problemas de conexión

Si no puede obtener acceso al switch desde la interfaz basada en la Web, es posible que no pueda acceder al switch desde la computadora. Usted puede probar las conexiones de red al utilizar el comando ping en una computadora que ejecute Windows:

PASO 1 Abra una ventana de comando mediante **Start** (Inicio) **Run** (Ejecutar) y escriba **cmd**.

PASO 2 En la ventana **Command** (Comando), escriba **ping** y la dirección IP del switch. Por ejemplo, el comando **ping 192.168.1.254** (la dirección IP estática predeterminada del switch).

Si puede obtener acceso al switch, debe obtener una respuesta similar a la siguiente:

```
Pinging 192.168.1.254 with 32 bytes of data:  
Reply from 192.168.1.254:bytes=32 time<1ms TTL=128
```

Si no puede obtener acceso al switch, debe obtener una respuesta similar a la siguiente:

```
Pinging 192.168.1.254 with 32 bytes of data:  
Request timed out.
```

Posibles causas y resoluciones

El switch no enciende

- Verifique que el cable de alimentación esté conectado firmemente en el switch y en la toma de corriente.
- Verifique que la toma de corriente esté activa.
- Compruebe que la computadora esté encendida.
- Reemplace el adaptador de energía, antes de reemplazar el switch, si la situación continúa.

Conexión Ethernet deficiente

- Compruebe los indicadores LED para obtener las instrucciones adecuadas. Para obtener más información, consulte **Panel frontal**.
- Revise los conectores del cable Ethernet para asegurarse de que estén firmemente conectados al switch y a la computadora.
- Use un puerto o un cable Ethernet diferente.

Mala conexión del puerto de la consola

- Verifique que los conectores del cable de la consola están conectados firmemente al switch y a la computadora.
- Verifique que la utilidad del puerto de la consola esté configurada con los parámetros correctos.

Problemas relacionados con la asignación de direcciones IP

- También se puede obtener acceso a los switches de Cisco mediante Cisco FindIT Network Discovery Utility que detecta automáticamente todos los dispositivos de Cisco Small Business que están en el mismo segmento de red local que su computadora. Puede ver información sobre los dispositivos, incluida la dirección IP actual, descargar el último firmware para el dispositivo o iniciar la utilidad de configuración del producto para ver y configurar los parámetros. Para obtener más información, consulte www.cisco.com/go/findit.
- Asegúrese de estar usando la dirección IP correcta del switch. Determine la dirección IP actual del switch desde la CLI a través del puerto de la consola, Cisco FindIT o desde el administrador de red. El indicador LED del sistema proporciona una indicación de la ubicación desde donde el switch recibió la dirección IP (consulte **Panel frontal** para obtener detalles).
- Asegúrese de que ningún otro dispositivo use la misma dirección IP que el switch.

Ninguna ruta IP

Si el switch y la computadora están en diferentes subredes IP, necesita uno o más routers para direccionar los paquetes entre las dos subredes.

Tiempo de acceso excesivamente prolongado

Debido a la lógica de detección del bucle de árbol de expansión estándar, al agregar nuevas conexiones, las interfaces afectadas o las redes LAN pueden tardar entre 30 y 60 segundos en comenzar a funcionar.

Comunidad de Soporte Cisco	www.cisco.com/go/smallbizsupport
Soporte y recursos de Cisco	www.cisco.com/go/smallbizhelp
Contactos de asistencia técnica telefónica	www.cisco.com/en/US/support/tsd_cisco_small_business_support_center_contacts.html
Descargas de Firmware Cisco	www.cisco.com/go/smallbizfirmware Seleccione un enlace para descargar el firmware para los productos Cisco. No se debe iniciar sesión.
Solicitudes de código abierto para Cisco	Para recibir una copia del código fuente al que tiene derecho conforme a las licencias de código abierto/gratuitas correspondientes (como la Licencia Pública General/Reducida de GNU), envíe su solicitud a: externalopensource-requests@cisco.com En sus solicitudes, incluya el nombre del producto de Cisco, la versión y el número de referencia de 18 dígitos (por ejemplo: 7XEEX17D99-3X49X081) que figura en la documentación del código abierto del producto.
Central para partners de Cisco (deberá iniciar sesión como partner)	www.cisco.com/web/partners/sell/smb
Documentación del producto	
Serie 350	www.cisco.com/go/350switches
Información sobre seguridad y cumplimiento normativo	www.cisco.com/en/US/docs/switches/lan/csb_switching_general/rcsi/Switch_RCSI.pdf
Información de la garantía	www.cisco-warrantyfinder.com

**ADVERTENCIA**

Este es un producto de clase A. En un entorno doméstico, este producto puede causar radiointerferencias, en cuyo caso el usuario deberá adoptar las medidas adecuadas.

Oficina Central de las Américas

Cisco Systems, Inc.
www.cisco.com



Cisco cuenta con más de 200 oficinas en todo el mundo. Las direcciones, los números telefónicos y los números de fax se encuentran en el sitio web de Cisco:
www.cisco.com/go/offices.

78-101213-01A0

Cisco y el logo de Cisco son marcas o marcas registradas de Cisco y/o sus filiales en los EE. UU. y otros países. Para ver una lista de las marcas de Cisco, visite la siguiente dirección URL: www.cisco.com/go/trademarks. Las marcas de terceros mencionadas son propiedad de sus respectivos dueños. El uso de la palabra "socio" no implica una asociación entre Cisco y cualquier otra compañía. (1110R)

© 2017 Cisco Systems, Inc. Todos los derechos reservados.



Guide de démarrage rapide



Commutateurs administrables Cisco 350

Bienvenue

Merci d'avoir choisi les commutateurs administrables Cisco 350. Ces appareils sont conçus pour être immédiatement opérationnels en tant que commutateurs standard de couche 2 et 3. Dans sa configuration par défaut, votre commutateur transfère des paquets entre des appareils connectés après sa mise sous tension.

Ce guide a pour objectif de vous aider à vous familiariser avec le commutateur et à le mettre en service sur votre réseau. Pour plus d'informations, rendez-vous sur la page www.cisco.com/go/350switches.

Contenu du coffret

- Votre commutateur administrable Cisco 350
- Câble d'alimentation
- Kit de montage en rack et pieds en caoutchouc
- Kit de montage mural pour les modèles SF352-08, SF352-08MP, SF352-08P, SG350-10, SG350-10P, SG350-10MP ou SG350-10SFP
- Câble série DB-9/RJ45
- Guide de démarrage rapide
- Fiche technique avec RoHS chinoise
- Coordonnées de l'assistance technique
- Informations de conformité avec les directives européennes 1999/5/EC (pour l'UE uniquement)

1

Avant de commencer

Avant de procéder à l'installation, vérifiez que vous disposez des éléments suivants :

- Des câbles Ethernet RJ-45 (catégorie 5E ou supérieure) pour la connexion des appareils réseau.
- Un câble de console pour gérer le commutateur à partir du port de console.

- Des outils pour l'installation du matériel. Le kit de montage en rack fourni avec le commutateur contient quatre pieds en caoutchouc pour une installation sur un bureau ainsi que deux supports et douze vis pour le montage en rack. Si vous perdez les vis fournies, utilisez des vis de rechange de taille suivante :
 - Diamètre de la tête de vis : 6,9 mm
 - Longueur de la vis, de la tête à la base : 5,9 mm
 - Diamètre de la tige : 3,94 mm
- Le kit de montage mural comprend des vis et des chevilles. Si vous perdez les vis fournies, utilisez des vis de rechange de taille suivante :
 - Diamètre de la tête de vis : 6,8 mm
 - Longueur de la vis, de la tête à la base : 16 mm
 - Diamètre de la tige : 3,5 x 1,3 mm
- Un ordinateur équipé de Microsoft Internet Explorer (versions 9.0, 10.0, 11.0), de Mozilla Firefox (version 51.0, 52.0, 53.0 ou ultérieures) ou de Google Chrome (versions 56, 57, 58 ou ultérieures), pour utiliser l'interface Web ou le port de console pour gérer votre commutateur.

2

Montage des commutateurs de la Gamme350

Selon le modèle de votre commutateur, vous pouvez l'installer de deux ou trois façons :

- Sur une surface plane. Pour le placer sur un bureau, vous devez fixer les quatre pieds en caoutchouc (inclus) sous le commutateur.
- Dans une armoire rack standard (d'une hauteur de 1U).
- Vous trouverez des encoches de montage mural sous la plupart des commutateurs Cisco 350.

Choix de l'emplacement

N'installez pas le commutateur dans un emplacement qui remplit l'une des conditions suivantes :

- **Température ambiante** : pour éviter toute surchauffe de l'appareil, n'installez pas le commutateur dans une zone dont la température ambiante dépasse 50 °C (122 °F).
- **Ventilation** : vérifiez que l'air circule librement autour du commutateur.

- **Charge mécanique** : veillez à ce que l'appareil soit à plat et stable pour éviter tout danger.
- **Surcharge du circuit** : le branchement du commutateur à la prise secteur ne doit en aucun cas surcharger le circuit.

Montage en rack

Vous pouvez monter les commutateurs dans un rack d'une largeur standard de 48 cm environ (19 pouces). Il nécessite un espace d'une unité de rack (RU), ce qui correspond à une hauteur de 44,45 mm (1,75 pouce).



AVERTISSEMENT

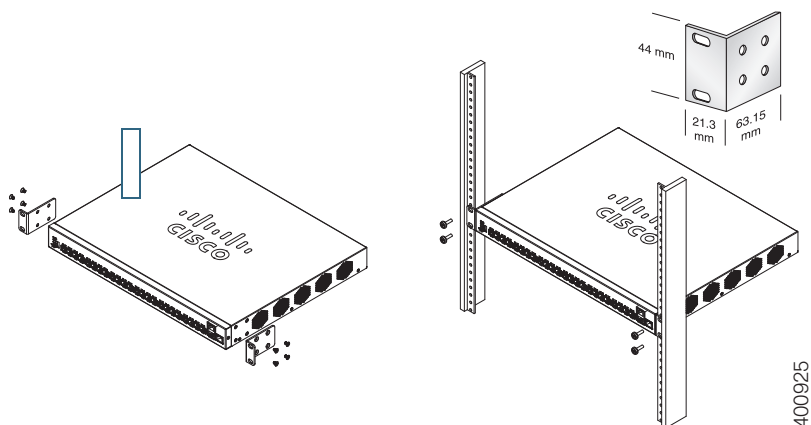
Pour garantir une bonne stabilité, chargez le rack en partant du bas, où vous placerez les appareils les plus lourds. Si la charge est trop importante dans la partie supérieure du rack, il risque d'être instable et de basculer.

Pour installer le commutateur dans un châssis standard de 19 pouces :

ÉTAPE 1 Placez l'un des supports fournis sur le côté du commutateur de façon à ce que les quatre trous du support soient alignés sur les trous réservés aux vis, et fixez-le à l'aide des quatre vis fournies.

ÉTAPE 2 Renouvelez cette étape pour fixer l'autre support sur le côté opposé du commutateur.

ÉTAPE 3 Lorsque les supports sont correctement fixés, vous pouvez installer le commutateur dans un rack standard de 19 pouces.



Montage mural

Sur la plupart des commutateurs Cisco 350 se trouvent des encoches de montage mural au bas des appareils.



ATTENTION

Tout montage non conforme peut endommager l'appareil ou entraîner des blessures. Cisco ne peut en aucun cas être tenu responsable de tout dommage découlant d'un montage mural ou au plafond non conforme.

Pour fixer votre commutateur au mur :

- ÉTAPE 1** Déterminez l'endroit où vous souhaitez installer l'appareil. Assurez-vous que la surface est lisse, plane, sèche et solide.
- ÉTAPE 2** Percez au mur deux trous pilotes éloignés de 94 mm.
- ÉTAPE 3** Insérez une vis dans chaque trou en laissant un espace entre la surface et la base de la tête de vis.
- ÉTAPE 4** Placez le bas du commutateur au-dessus des vis et faites glisser le commutateur vers le bas jusqu'à ce que les vis s'insèrent parfaitement dans les encoches de montage mural.

3

Connexion des appareils réseau

Pour connecter le commutateur au réseau :

- ÉTAPE 1** Branchez le câble Ethernet sur le port Ethernet d'un ordinateur, d'une imprimante, d'un périphérique de stockage réseau ou de tout autre appareil réseau.
- ÉTAPE 2** Branchez l'autre extrémité du câble Ethernet à l'un des ports Ethernet numérotés du commutateur.

Le voyant du port Ethernet passe au vert lorsque la connexion est active. Reportez-vous à la section **Fonctionnalités des commutateurs Cisco de la Gamme350** pour obtenir des informations détaillées sur les différents ports et voyants de chaque commutateur.

ÉTAPE 3 Renouvelez l'**Étape 1** et l'**Étape 2** pour chaque appareil que vous voulez connecter au commutateur.

REMARQUE Un câble de catégorie 5e ou supérieure est nécessaire pour tous les ports. Lorsque vous connectez vos appareils réseau, veillez à ne pas dépasser la distance de câblage maximale, qui est de 100 mètres (328 pieds). Une fois la connexion établie, il est possible que les appareils reliés ou le réseau LAN ne soient opérationnels qu'au bout d'une minute. Ce comportement est normal.

Considérations relatives à l'alimentation électrique par câble Ethernet (PoE)



ATTENTION Le commutateur ne doit être relié qu'à des réseaux PoE sans branchement sur secteur.

Si votre commutateur est un modèle alimenté par câble Ethernet (PoE), prenez en considération les éléments suivants :

Commutateurs Cisco 350 avec alimentation PoE

Modèle	Puissance dédiée au PoE	Nombre de ports prenant en charge le PoE	Norme PoE prise en charge
SF352-08P	62 watts	1 à 8	802.3af/at
SF352-08MP	128 watts	1 à 8	802.3af/at
SF350-24P	185 watts	1 à 24 *PoE 60 watts : ports 1, 2, 13 et 14	802.3af/at PoE 4 paires
SF350-24MP	375 watts	1 à 24 *PoE 60 watts : ports 1, 2, 13 et 14	802.3af/at PoE 4 paires
SF350-48P	382 watts	1 à 48 *PoE 60 watts : ports 1, 2, 3, 4, 25, 26, 27 et 28	802.3af/at PoE 4 paires

Commutateurs Cisco 350 avec alimentation PoE

Modèle	Puissance dédiée au PoE	Nombre de ports prenant en charge le PoE	Norme PoE prise en charge
SF350-48MP	740 watts	1 à 48 *PoE 60 watts : ports 1, 2, 3, 4, 25, 26, 27 et 28	802.3af/at PoE 4 paires
SG350-10P	62 watts	1 à 8	802.3af/at
SG350-10MP	128 watts	1 à 8	802.3af/at
SG355-10P	62 watts	1 à 8	802.3af/at
SG350-28P	195 watts	1 à 24 *PoE 60 watts : ports 1, 2, 13 et 14	802.3af/at PoE 4 paires
SG350-28MP	382 watts	1 à 24 *PoE 60 watts : ports 1, 2, 13 et 14	802.3af/at PoE 4 paires
SG350-52P	375 watts	1 à 48 *PoE 60 watts : ports 1, 2, 3, 4, 25, 26, 27 et 28	802.3af/at PoE 4 paires
SG350-52MP	740 watts	1 à 48 *PoE 60 watts : ports 1, 2, 3, 4, 25, 26, 27 et 28	802.3af/at PoE 4 paires
SG350-8PD	124 watts	1 à 8	802.3af/at

*60 watts PoE étend la norme IEEE Power over Ethernet Plus pour doubler la puissance par port de 60 watts.



AVERTISSEMENT

Lorsque vous connectez un commutateur capable d'alimenter des appareils PoE, tenez compte des éléments suivants :

Les commutateurs PoE sont des appareils PSE (Power Sourcing Equipment) capables d'alimenter en courant continu les appareils connectés. Il peut s'agir notamment de téléphones VoIP, de caméras IP et de points d'accès sans fil. Les commutateurs PoE peuvent détecter et alimenter d'anciens appareils PoE préstandard. En raison de la prise en charge de l'ancienne norme PoE, un commutateur PoE agissant en tant qu'appareil PSE peut détecter et alimenter à tort un appareil PSE connecté, y compris d'autres commutateurs PoE.

Même si les commutateurs PoE sont des appareils PSE qui doivent être alimentés par courant alternatif, ils peuvent être alimentés par un autre appareil PSE suite à une erreur de détection. Dans cette situation, le commutateur PoE risque de ne pas fonctionner correctement et peut également ne pas alimenter convenablement ses appareils alimentés connectés. Pour éviter toute erreur de détection, vous devez désactiver le PoE au niveau des ports des commutateurs PoE que vous utilisez pour connecter des appareils PSE. Par ailleurs, vous devez d'abord alimenter un appareil PSE avant de le connecter à un commutateur PoE. Lorsqu'un appareil est mal identifié, vous devez le déconnecter du port PoE, puis l'alimenter avec du courant alternatif avant de reconnecter ses ports PoE.

4

Configuration des commutateurs de la Gamme350

Avant de commencer

Pour administrer le commutateur, vous pouvez utiliser soit l'interface Web via votre réseau IP, soit l'interface de ligne de commande du commutateur via le port de console. L'utilisation de ce port nécessite des connaissances avancées.

Pour la première connexion du commutateur, les paramètres par défaut utilisés sont les suivants :

Paramètre	Valeur par défaut
Nom d'utilisateur	cisco
Mot de passe	cisco
Adresse IP du LAN	192.168.1.254

Configuration du commutateur à l'aide de l'interface Web

Afin d'accéder au commutateur depuis l'interface Web, vous devez connaître son adresse IP, qui est par défaut 192.168.1.254, avec le sous-réseau /24.

Lorsque le commutateur utilise l'adresse IP par défaut, le voyant Système clignote de manière continue. Lorsque le commutateur utilise une adresse IP affectée par un serveur DHCP ou une adresse IP statique configurée par un administrateur, le voyant Système est vert (le protocole DHCP est activé par défaut).

REMARQUE Si vous administrez le commutateur via une connexion réseau et que l'adresse IP est modifiée par un serveur DHCP ou manuellement, vous ne pouvez plus accéder au commutateur. Pour pouvoir utiliser l'interface Web, vous devez saisir la nouvelle adresse IP du commutateur dans votre navigateur. Si vous administrez le commutateur via une connexion de port de console, la liaison est maintenue.

Pour configurer le commutateur à l'aide de l'interface Web :

ÉTAPE 1 Mettez l'ordinateur et le commutateur sous tension.

ÉTAPE 2 Tout port réseau peut être utilisé pour connecter l'ordinateur.

ÉTAPE 3 Définissez la configuration IP sur votre ordinateur.

- a. Si le commutateur utilise l'adresse IP statique par défaut 192.168.1.254/24, vous devez choisir dans la plage de valeurs comprises entre 192.168.1.2 et 192.168.1.253 une adresse IP qui n'est pas encore utilisée.
- b. Si les adresses IP sont affectées par DHCP, assurez-vous que votre serveur DHCP est en cours d'exécution et qu'il peut être atteint depuis le commutateur et l'ordinateur. Vous devrez peut-être débrancher et rebrancher les périphériques pour qu'ils puissent détecter leur nouvelle adresse IP à partir du serveur DHCP.

REMARQUE La procédure spécifique à suivre pour modifier l'adresse IP sur votre ordinateur dépend du type d'architecture et du système d'exploitation dont vous disposez. Utilisez la fonctionnalité locale d'aide et de support de vos ordinateurs et effectuez une recherche portant sur l'« adressage IP ».

ÉTAPE 4 Ouvrez une fenêtre de votre navigateur Web. Si vous êtes invité à installer un plug-in ActiveX lors de la connexion à l'appareil, suivez les instructions pour accepter ce plug-in.

ÉTAPE 5 Saisissez l'adresse IP du commutateur dans la barre d'adresse, puis appuyez sur **Entrée**. Par exemple, `http://192.168.1.254`.

ÉTAPE 6 Lorsque la page de connexion s'affiche, choisissez la langue que vous souhaitez utiliser dans l'interface Web, puis saisissez le nom d'utilisateur et le mot de passe.

Le nom d'utilisateur par défaut est **cisco**. Le mot de passe par défaut est **cisco**. Ils sont tous les deux sensibles à la casse.

ÉTAPE 7 Cliquez sur le bouton de **connexion**.

S'il s'agit de votre première ouverture de session avec le nom d'utilisateur et le mot de passe par défaut, la page de modification du mot de passe s'ouvre. La procédure à suivre pour créer un nouveau mot de passe est affichée sur cette page.

ÉTAPE 8 Saisissez un nouveau mot de passe, puis validez-le.

REMARQUE L'option obligeant à créer des mots de passe complexes est activée par défaut. Le mot de passe doit respecter les règles de complexité par défaut. Il peut également être temporairement désactivé en cochant la case en regard de l'option de **complexité des mots de passe**.

ÉTAPE 9 Cliquez sur **Appliquer**.



AVERTISSEMENT

Avant de quitter l'interface Web, cliquez sur l'icône **Enregistrer** afin d'enregistrer les modifications. Si vous quittez avant d'avoir enregistré votre configuration, toutes les modifications seront perdues.

La page Getting Started s'affiche. Vous pouvez désormais configurer le commutateur. Reportez-vous au Guide d'administration ou aux pages d'aide pour plus d'informations.

Configuration du commutateur à l'aide du port de console

Pour configurer le commutateur par le biais du port de console :

ÉTAPE 1 Connectez un ordinateur au port de console du commutateur en utilisant le câble de console fourni.

ÉTAPE 2 Lancez un utilitaire pour port de console tel que HyperTerminal sur l'ordinateur.

ÉTAPE 3 Configurez l'utilitaire avec les paramètres suivants :

- 115 200 bits par seconde
- 8 bits de données
- aucune parité
- 1 bit d'arrêt
- aucun contrôle de flux

ÉTAPE 4 Saisissez un nom d'utilisateur et un mot de passe. Le nom d'utilisateur par défaut est **cisco**, tout comme le mot de passe par défaut. Ils sont tous les deux sensibles à la casse.

S'il s'agit de votre première connexion à l'aide du nom d'utilisateur et du mot de passe par défaut, un message semblable au suivant s'affiche :

```
Veillez changer le mot de passe par défaut.  
Veillez changer le mot de passe pour une meilleure  
protection du réseau. Voulez-vous changer le mot  
de passe (O/N) [O] ?
```

ÉTAPE 5 Saisissez **O** (ou **Y** si les messages s'affichent en anglais), puis le nouveau mot de passe administrateur.

REMARQUE L'option obligeant à créer des mots de passe complexes est activée par défaut. Votre mot de passe doit respecter les règles de complexité par défaut.



AVERTISSEMENT

Veillez à enregistrer toute modification apportée à la configuration avant de quitter.

Vous pouvez désormais configurer le commutateur. Pour trouver le guide de l'interface de ligne de commande (CLI) de votre commutateur, rendez-vous sur la page www.cisco.com/go/350switches.

REMARQUE Si vous n'utilisez pas de serveur DHCP sur votre réseau, définissez le type d'adresse IP du commutateur sur Statique, puis modifiez l'adresse IP statique et le masque de sous-réseau en fonction de la topologie de votre réseau. Faute de quoi, l'adresse IP par défaut 192.168.1.254 risque d'être utilisée par plusieurs commutateurs.

5

Fonctionnalités des commutateurs Cisco de la Gamme350

Cette section permet de vous familiariser avec le commutateur. Elle comprend une description des éléments externes du commutateur.

Modèles de produits

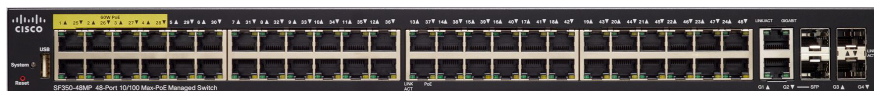
Modèle	Description
SF350-08	Commutateur administrable à 8 ports 10/100
SF350-24	Commutateur administrable à 24 ports 10/100
SF350-24MP	Commutateur administrable à 24 ports PoE 10/100
SF350-24P	Commutateur administrable à 24 ports PoE 10/100
SF350-48	Commutateur administrable à 48 ports 10/100
SF350-48MP	Commutateur administrable à 48 ports PoE 10/100
SF350-48P	Commutateur administrable à 48 ports PoE 10/100
SF352-08	Commutateur administrable à 8 ports 10/100
SF352-08MP	Commutateur administrable à 8 ports PoE 10/100
SF352-08P	Commutateur administrable à 8 ports PoE 10/100
SG350-10	Commutateur administrable à 10 ports Gigabit
SG350-10MP	Commutateur administrable PoE à 10 ports Gigabit
SG350-10P	Commutateur administrable PoE à 10 ports Gigabit
SG350-10SFP	Commutateur administrable à 10 ports Gigabit SFP
SG350-20	Commutateur administrable à 20 ports Gigabit
SG350-28	Commutateur administrable à 28 ports Gigabit

Modèle	Description
SG350-28MP	Commutateur administrable PoE à 28 ports Gigabit
SG350-28P	Commutateur administrable PoE à 28 ports Gigabit
SG350-28SFP	Commutateur administrable à 28 ports Gigabit SFP
SG350-52	Commutateur administrable à 52 ports Gigabit
SG350-52P	Commutateur administrable PoE à 52 ports Gigabit
SG350-52MP	Commutateur administrable PoE à 52 ports Gigabit
SG355-10P	Commutateur administrable PoE à 10 ports Gigabit
SG350-8PD	Commutateur administrable PoE à 8 ports 2,5 G

Panneau avant

Les ports, les voyants et le bouton de réinitialisation sont situés sur le panneau avant du commutateur (voir illustrations suivantes).

SF350-48MP



SG350-8PD



SG355-10P



Ports du panneau avant

Port USB : permet de connecter le commutateur à un appareil USB pour que vous puissiez enregistrer et restaurer les fichiers de configuration, les images de micrologiciel et les fichiers SYSLOG depuis l'appareil USB relié.

Ports Ethernet RJ-45 : ces ports permettent de relier au commutateur des appareils réseau, comme des ordinateurs, des imprimantes et des points d'accès.

Ports Ethernet multigigabit : indiqués en bleu sur l'image, ces ports prennent en charge des débits de 100 Mbit/s, 1 Gbit/s et 2,5 Gbit/s sur des câbles de catégorie 5e. La plupart des câbles déployés dans le monde sont limités à 1 Gbit/s au bout de 100 mètres de câble. L'Ethernet multigigabit Cisco permet d'atteindre des débits de 2,5 Gbit/s sur ce type d'infrastructure, sans avoir à remplacer les câbles.

Ports 60 watts PoE : surlignés en jaune, les ports 60 watts PoE doublent la puissance PoE à 60 watts.

Ports SFP (si disponibles) : les ports SFP (Small form-Factor Pluggable) sont des points de connexion pour les modules, destinés à connecter le commutateur à d'autres commutateurs. Ils sont également appelés ports miniGBIC (miniGigaBit Interface Converter). Le terme de port SFP sera utilisé dans ce guide.

- Certaines interfaces SFP sont partagées avec un autre port RJ-45, appelé port mixte. Lorsque le port SFP est actif, le port RJ-45 adjacent est désactivé.
- Les voyants du port RJ-45 correspondant clignotent en vert en réaction au trafic du port SFP.

Voyants du panneau avant

Système : (vert) reste allumé lorsque le commutateur est sous tension et clignote lors du démarrage, de l'exécution de tests automatiques et de l'obtention d'une adresse IP. Le voyant clignote en orange lorsque le commutateur a détecté une défaillance de matériel ou de micrologiciel et/ou une erreur de fichier de configuration.

LINK/ACT : (vert) situé à gauche de chaque port. Ce voyant reste allumé lorsqu'une liaison est détectée entre le port correspondant et un autre dispositif. Il clignote lorsque le trafic transite par ce port.

Gigabit : (vert) situé à droite du port. Ce voyant reste allumé lorsqu'un autre appareil est connecté au port, est sous tension et qu'une liaison de 1 000 Mbit/s est établie entre les appareils. Il s'éteint lorsque la vitesse de connexion est inférieure à 1 000 Mbit/s ou qu'aucun appareil n'est relié à ce port.

PoE (si disponible) : (orange) situé sur la droite du port. Ce voyant reste allumé pour indiquer qu'un appareil relié au port correspondant est alimenté.

Bouton de réinitialisation

Vous pouvez réinitialiser le commutateur en insérant une épingle ou un trombone dans l'ouverture du bouton de **réinitialisation**, situé sur le panneau avant du commutateur. Pour plus d'informations, reportez-vous à la section **Restauration des paramètres d'usine**.

Panneau arrière

Le port d'alimentation et le port console sont situés sur le panneau arrière du commutateur. Le panneau arrière de votre modèle de commutateur peut être différent : s'il est équipé d'un ventilateur, assurez-vous de laisser assez de place pour permettre à l'air de circuler.



Alimentation : permet de connecter le commutateur à la source d'alimentation CA.

Console : permet de brancher un câble série au port série de l'ordinateur afin de configurer ce dernier à l'aide d'un programme d'émulation de terminal.

6

Restauration des paramètres d'usine

Pour redémarrer ou réinitialiser le commutateur à l'aide du bouton **Reset**, procédez comme suit :

- Pour **redémarrer** le commutateur, appuyez sur le bouton **Reset** et maintenez-le enfoncé pendant moins de 10 secondes.
- Pour restaurer les paramètres d'usine par défaut :
 - Déconnectez le commutateur ou désactivez tous les serveurs DHCP du réseau.
 - Une fois l'appareil sous tension, appuyez sur le bouton de **réinitialisation** et maintenez-le enfoncé pendant plus de 10 secondes.

Résolution des problèmes de connexion

Si vous ne parvenez pas à accéder à votre commutateur à partir de l'interface Web, il est possible que le commutateur ne soit pas accessible depuis l'ordinateur. Vous pouvez tester les connexions réseau en utilisant la commande ping sur un ordinateur doté de Windows :

ÉTAPE 1 Ouvrez une fenêtre de commande en sélectionnant **Démarrer > Exécuter**, puis saisissez **cmd**.

ÉTAPE 2 À l'invite de la fenêtre de **commandes**, saisissez **ping** suivi de l'adresse IP du commutateur. Par exemple, **ping 192.168.1.254** (adresse IP statique par défaut du commutateur).

Si vous pouvez accéder au commutateur, vous recevrez une réponse semblable à :

```
Pinging 192.168.1.254 with 32 bytes of data:  
Reply from 192.168.1.254:bytes=32 time<1ms TTL=128
```

Si vous ne pouvez pas accéder au commutateur, vous recevrez une réponse semblable à :

```
Pinging 192.168.1.254 with 32 bytes of data:  
Request timed out.
```

Causes possibles et résolutions

Le commutateur ne s'allume pas.

- Vérifiez que le cordon d'alimentation est bien branché au niveau du commutateur et de la prise secteur.
- Vérifiez que la prise secteur est alimentée.
- Vérifiez que l'ordinateur est allumé.
- Si le problème persiste, remplacez l'adaptateur secteur avant de remplacer le commutateur.

Connexion Ethernet de mauvaise qualité.

- Vérifiez les voyants afin d'obtenir les indications appropriées. Pour plus d'informations, reportez-vous à la section **Panneau avant**.
- Vérifiez les connecteurs du câble Ethernet pour vous assurer qu'ils sont bien branchés au niveau du commutateur et de votre ordinateur.
- Utilisez un câble Ethernet ou un port différent.

Mauvaise connexion au port de console.

- Vérifiez les connecteurs du câble console pour vous assurer qu'ils sont correctement branchés au commutateur et à l'ordinateur.
- Assurez-vous que l'utilitaire pour port de console est configuré avec les paramètres appropriés.

Problèmes d'adressage IP.

- Les commutateurs Cisco sont également accessibles à partir de l'utilitaire Cisco FindIT Network Discovery, qui vous permet de trouver automatiquement tous les appareils Cisco Small Business pris en charge dans le même segment du réseau local que votre ordinateur. Vous pouvez consulter des informations sur l'appareil, notamment son adresse IP actuelle, télécharger la dernière version du micrologiciel ou lancer l'utilitaire de configuration du produit, afin de consulter et configurer les paramètres. Pour en savoir plus, rendez-vous sur www.cisco.com/go/findit.
- Assurez-vous d'utiliser l'adresse IP appropriée pour l'appareil. Vous pouvez déterminer l'adresse IP actuelle du commutateur à partir de l'interface de ligne de commande via l'interface du port de console, ou la demander à l'administrateur du réseau. Le voyant Système indique la provenance de l'adresse IP. (Pour plus d'informations, reportez-vous à la section **Panneau avant**.)
- Vérifiez qu'aucun autre appareil n'utilise la même adresse IP que le commutateur.

Aucune route IP.

Si le commutateur et votre ordinateur se trouvent sur des sous-réseaux IP distincts, un ou plusieurs routeurs sont nécessaires pour acheminer les paquets entre les deux sous-réseaux.

Temps d'accès inhabituellement long.

En raison de la logique de détection de boucles STP standard, si vous ajoutez de nouvelles connexions, 30 à 60 secondes peuvent être nécessaires pour que les interfaces concernées et/ou le réseau LAN soient opérationnels.

Communauté d'assistance Cisco	www.cisco.com/go/smallbizsupport
Assistance et ressources Cisco	www.cisco.com/go/smallbizhelp
Coordonnées de l'assistance téléphonique	www.cisco.com/en/US/support/tsd_cisco_small_business_support_center_contacts.html
Téléchargements de microprogrammes Cisco	www.cisco.com/go/smallbizfirmware Sélectionnez un lien pour télécharger le microprogramme d'un produit Cisco. Aucune connexion n'est requise.
Demandes Open Source Cisco	Pour recevoir une copie du code source auquel vous avez droit dans le cadre de la ou des licences gratuites ou open source (telles que la Licence publique moins générale GNU), veuillez envoyer votre demande à l'adresse : externalopensource-requests@cisco.com N'oubliez pas de préciser le nom de votre produit Cisco, sa version, ainsi que son numéro de référence à 18 chiffres (par exemple : 7XEEX17D99-3X49X081) que vous trouverez dans la documentation open source du produit.
Cisco Partner Central (connexion partenaire requise)	www.cisco.com/web/partners/sell/smb
Documentation sur les produits	
Gamme 350	www.cisco.com/go/350switches
Informations relatives à la conformité et à la sécurité	www.cisco.com/en/US/docs/switches/lan/csb_switching_general/rcsi/Switch_RCSI.pdf
Informations sur la garantie	www.cisco-warrantyfinder.com

**ATTENTION**

Il s'agit d'un produit de classe A. Chez les particuliers, il peut générer des interférences radio. Dans ce cas, l'utilisateur devra prendre les mesures nécessaires.

Siège social aux États-Unis

Cisco Systems, Inc.
www.cisco.com



Cisco a plus de 200 bureaux dans le monde entier.
Les adresses ainsi que les numéros de téléphone et de télécopie
sont listés sur le site Internet de Cisco à l'adresse
www.cisco.com/go/offices.

78-101213-01A0

Cisco et le logo Cisco sont des marques commerciales ou déposées de Cisco et/ou de ses filiales aux États-Unis et dans d'autres pays. Pour consulter la liste des marques commerciales de Cisco, rendez-vous sur : www.cisco.com/go/trademarks. Les autres marques commerciales mentionnées dans ce document sont la propriété de leurs détenteurs respectifs. L'utilisation du terme « partenaire » n'implique pas de relation de partenariat entre Cisco et toute autre entreprise. (1110R)

© 2017 Cisco Systems Inc. Tous droits réservés.



Краткое руководство по началу работы



Управляемые коммутаторы Cisco серии 350

Добро пожаловать!

Благодарим за выбор коммутаторов Cisco Smart серии 350! Эти устройства поставляются готовыми к эксплуатации как стандартные коммутаторы уровней 2 и 3. В конфигурации по умолчанию коммутатор начинает пересылать пакеты между подключенными устройствами сразу после включения.

В данном руководстве представлена схема коммутатора и процедура его развертывания в сети. Подробности см. на странице www.cisco.com/go/350switches.

Содержимое упаковки

- Управляемый коммутатор Cisco серии 350
- Кабель питания
- Комплект для монтажа в стойку и резиновые ножки
- Комплект настенного монтажа для моделей SF352-08, SF352-08MP, SF352-08P, SG350-10, SG350-10P, SG350-10MP и SG350-10SFP
- Последовательный кабель с разъемами DB-9 и RJ45
- Краткое руководство по началу работы
- Карта-указатель с China RoHS
- Контактные данные службы технической поддержки
- Информация о соответствии директиве EC 1999/5/EC (только для товаров для продажи в ЕС)

1

Перед началом работы

Прежде чем приступить к установке, проверьте наличие следующих компонентов.

- Кабели RJ-45 Ethernet категории 5е или выше для подключения сетевых устройств.
- Консольный кабель для управления коммутатором через порт консоли.

- Средства для установки оборудования. Монтажный комплект, поставляемый с коммутатором, содержит четыре резиновые ножки для размещения на столе, а также два кронштейна и двенадцать винтов для монтажа в стойку. В случае потери винтов из комплекта воспользуйтесь винтами следующих размеров.
 - Диаметр головки винта: 6,9 мм
 - Расстояние от головки винта до начала резьбы: 5,9 мм
 - Диаметр стержня: 3,94 мм
- В комплект для монтажа на стену входят винты и анкеры. В случае потери винтов из комплекта воспользуйтесь винтами следующих размеров.
 - Диаметр головки винта: 6,8 мм
 - Расстояние от головки винта до начала резьбы: 16 мм
 - Диаметр стержня: 3,5 x 1,3 мм
- Компьютер с браузером Microsoft Internet Explorer (версии 9.0, 10.0, 11.0), Mozilla Firefox (версии 51.0, 52.0, 53.0 или более поздней) или Google Chrome (версии 56, 57, 58 или более поздней) для управления коммутатором через веб-интерфейс или порт консоли.

2

Монтаж коммутатора Cisco серии 350

В зависимости от модели установить коммутатор можно двумя или тремя способами.

- Разместить коммутатор на плоской поверхности. Чтобы разместить коммутатор на столе, закрепите четыре резиновые ножки (входят в комплект поставки) на днище коммутатора.
- Монтировать коммутатор в стандартной стойке (высотой 1 RU).
- У многих коммутаторов Cisco серии 350 на днище имеются пазы для настенного крепления.

Советы по размещению

Не устанавливайте коммутатор там, где имеют место любые из следующих условий.

- **Температура окружающей среды** — во избежание перегрева коммутатора не используйте его при температурах выше 50 °С.
- **Воздушное пространство** — убедитесь, что коммутатор окружает достаточное воздушное пространство.

- **Механическая нагрузка** — убедитесь, что коммутатор располагается ровно и устойчиво, чтобы избежать возникновения опасных условий.
- **Перегрузка цепи** — при включении коммутатора в розетку следите за тем, чтобы цепь не оказалась перегруженной.

Монтаж в стойку

Коммутатор можно монтировать в стойку любого стандартного размера шириной 19 дюймов (около 48 см). Для коммутатора требуется пространство 1 RU, что эквивалентно высоте 44,45 мм.



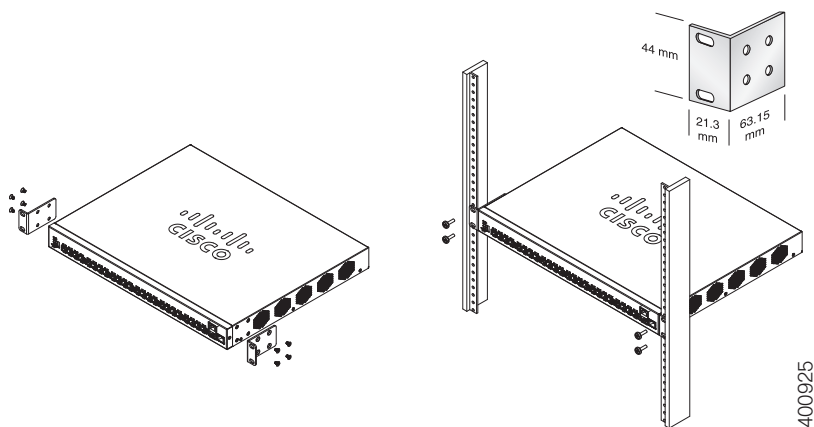
ВНИМАНИЕ Для обеспечения устойчивости загружайте стойку снизу вверх, размещая самые тяжелые устройства внизу. Перегруженная сверху стойка неустойчива и может опрокинуться.

Установка коммутатора в стандартное 19-дюймовое шасси

ШАГ 1 Разместите один из кронштейнов, входящих в комплект поставки, на боковой панели коммутатора так, чтобы четыре отверстия кронштейнов совпали с отверстиями для винтов, затем закрепите четыремя винтами из комплекта.

ШАГ 2 Повторите предыдущий шаг, чтобы закрепить другой кронштейн на противоположной стороне коммутатора.

ШАГ 3 Коммутатор с прикрепленными кронштейнами готов к установке в стандартную 19-дюймовую стойку.



Настенный монтаж

У большинства коммутаторов Cisco серии 350 на днище имеются пазы для настенного крепления.



Предупреждение Ненадежный монтаж может привести к повреждению устройства или травме. Cisco не несет ответственности за ущерб в результате непрочного крепления устройства к стене или потолку.

Настенный монтаж коммутатора

-
- Шаг 1** Выберите место для монтажа устройства. Поверхность должна быть ровной, сухой и прочной.
- Шаг 2** Просверлите два направляющих отверстия на расстоянии 94 мм друг от друга.
- Шаг 3** Вставьте винты в отверстия и вверните их, но не до конца.
- Шаг 4** Наденьте пазы для настенного крепления коммутатора на винты и опустите коммутатор так, чтобы головки винтов уперлись в границы пазов.
-

3

Подключение сетевых устройств

Подключение коммутатора к сети

-
- Шаг 1** Подключите кабель Ethernet к порту Ethernet на компьютере, принтере, сетевом устройстве хранения или другом сетевом устройстве.
- Шаг 2** Другой конец кабеля Ethernet соедините с одним из пронумерованных портов Ethernet на коммутаторе.
Индикатор порта Ethernet горит зеленым, когда подключение активно. См. раздел **Функциональные возможности коммутатора Cisco серии 350** для получения подробных сведений о портах и индикаторах коммутатора.
- Шаг 3** Повторите **Шаг 1** и **Шаг 2** для каждого устройства, которое нужно подключить к коммутатору.

ПРИМЕЧАНИЕ. Для всех портов необходим кабель категории 5е или выше. При подключении сетевых устройств не превышайте максимальную длину кабеля — 100 м. Устройства или локальная сеть будут готовы к эксплуатации примерно через минуту после подключения. Это нормальное поведение.

Что нужно учитывать для подключений PoE



ПРЕДУПРЕЖДЕНИЕ Коммутатор следует подключать только к сетям PoE без маршрутизации на внешнее устройство.

Если ваша модель коммутатора поддерживает PoE, к питанию предъявляются следующие требования.

Коммутаторы серии 350 с поддержкой PoE

Модель	Мощность, выделенная на PoE	Число портов с поддержкой PoE	Поддерживаемые стандарты PoE
SF352-08P	62 Вт	1–8	802.3af/at
SF352-08MP	128 Вт	1–8	802.3af/at
SF350-24P	185 Вт	1–24 * Порты PoE мощностью 60 Вт: 1, 2, 13, 14.	802.3af/at 4-pair PoE
SF350-24MP	375 Вт	1–24 * Порты PoE мощностью 60 Вт: 1, 2, 13, 14.	802.3af/at 4-pair PoE
SF350-48P	382 Вт	1–48 * Порты PoE мощностью 60 Вт: 1, 2, 3, 4, 25, 26, 27, 28.	802.3af/at 4-pair PoE

Коммутаторы серии 350 с поддержкой PoE

Модель	Мощность, выделенная на PoE	Число портов с поддержкой PoE	Поддерживаемые стандарты PoE
SF350-48MP	740 Вт	1–48 * Порты PoE мощностью 60 Вт: 1, 2, 3, 4, 25, 26, 27, 28.	802.3af/at 4-pair PoE
SG350-10P	62 Вт	1–8	802.3af/at
SG350-10MP	128 Вт	1–8	802.3af/at
SG355-10P	62 Вт	1–8	802.3af/at
SG350-28P	195 Вт	1–24 * Порты PoE мощностью 60 Вт: 1, 2, 13, 14.	802.3af/at 4-pair PoE
SG350-28MP	382 Вт	1–24 * Порты PoE мощностью 60 Вт: 1, 2, 13, 14.	802.3af/at 4-pair PoE
SG350-52P	375 Вт	1–48 * Порты PoE мощностью 60 Вт: 1, 2, 3, 4, 25, 26, 27, 28.	802.3af/at 4-pair PoE
SG350-52MP	740 Вт	1–48 * Порты PoE мощностью 60 Вт: 1, 2, 3, 4, 25, 26, 27, 28.	802.3af/at 4-pair PoE
SG350-8PD	124 Вт	1–8	802.3af/at

* PoE мощностью 60 Вт расширяет возможности стандарта IEEE PoE Plus, увеличивая мощность PoE на один порт в два раза до 60 Вт.



ВНИМАНИЕ

При подключении коммутаторов с поддержкой PoE учитывайте следующее.

Модели коммутаторов с поддержкой PoE относятся к питающим устройствам, способным подавать мощность постоянного тока на подключенные питаемые устройства. К последним относятся VoIP-телефоны, IP-камеры и точки беспроводного доступа. Коммутаторы PoE могут обнаруживать питаемые устройства, отвечающие устаревшим проектам стандартов PoE, и подавать мощность на такие устройства. Из-за поддержки устаревших стандартов PoE коммутатор PoE, функционирующий как питающее устройство, может обнаружить подключенное питающее устройство (в том числе другой коммутатор PoE) и подавать на него мощность, ошибочно определив такое устройство как питаемое.

Хотя коммутаторы PoE являются питающими устройствами и поэтому должны получать мощность от сети переменного тока, из-за ошибки распознавания как устаревшего питаемого устройства они могут получать мощность от другого питающего устройства. В этом случае коммутатор PoE может работать неправильно и не подавать надлежащую мощность на подключенные питаемые устройства.

Для предотвращения ошибок обнаружения на коммутаторах PoE, используемых для подключения к питающим устройствам, следует отключить поддержку PoE на портах. Рекомендуется также сначала включить в сеть питающее устройство, а затем подключить его к коммутатору PoE. Если устройство по ошибке распознано как питаемое, следует отключить его от порта PoE, затем отключить и снова подключить устройство к сети переменного тока и после этого заново подключить к портам PoE.

Перед началом работы

Получить доступ к коммутатору и управлять им можно двумя способами: по IP-сети при помощи веб-интерфейса или через порт консоли при помощи интерфейса командной строки коммутатора. Использовать порт консоли могут только опытные операторы.

При первой настройке коммутатора используются следующие параметры по умолчанию.

Параметр	Значение по умолчанию
Имя пользователя	cisco
Пароль	cisco
IP-адрес локальной сети	192.168.1.254

Настройка коммутатора при помощи веб-интерфейса

Для доступа к коммутатору через веб-интерфейс нужно знать его IP-адрес. По умолчанию используется IP-адрес 192.168.1.254 с подсетью /24.

Если коммутатор использует IP-адрес по умолчанию, индикатор System постоянно мигает. Если коммутатор использует IP-адрес, назначенный DHCP-сервером, или администратор настроил статический IP-адрес, индикатор System непрерывно горит зеленым (DHCP включен по умолчанию).

ПРИМЕЧАНИЕ. Если при управлении коммутатором через сетевое подключение IP-адрес коммутатора будет изменен (либо DHCP-сервером, либо оператором вручную), то коммутатор станет недоступен. Необходимо будет ввести новый IP-адрес коммутатора в браузере для использования веб-интерфейса. При управлении коммутатором через подключение к порту консоли соединение сохраняется.

Чтобы настроить коммутатор через веб-интерфейс, сделайте следующее.

Шаг 1 Включите компьютер и коммутатор.

Шаг 2 Подключите компьютер к любому сетевому порту.

Шаг 3 Настройте конфигурацию IP-адреса на своем компьютере.

- a. Если коммутатор использует статический IP-адрес по умолчанию (192.168.1.254/24), выберите свободный IP-адрес в диапазоне от 192.168.1.2 до 192.168.1.253.
- b. Если IP-адреса будут назначены DHCP-сервером, проверьте его работоспособность и доступность с коммутатора и компьютера. Возможно, потребуется отключить и снова подключить устройства, чтобы они получили новые IP-адреса от DHCP-сервера.

ПРИМЕЧАНИЕ. Порядок изменения IP-адреса на компьютере зависит от типа архитектуры и операционной системы. Выполните поиск по словам «IP-адресация» в локальном компоненте справки и поддержки на своем компьютере.

Шаг 4 Откройте окно веб-браузера. При появлении запроса на установку подключаемого модуля ActiveX при подключении к устройству дайте согласие и выполните соответствующие инструкции.

Шаг 5 Введите IP-адрес коммутатора в адресную строку и нажмите клавишу Enter. Например, <http://192.168.1.254>.

Шаг 6 Когда откроется страница входа, выберите язык веб-интерфейса и введите имя пользователя и пароль.

Имя пользователя по умолчанию — `cisco`. Пароль по умолчанию — `cisco`. Имена пользователей и пароли вводятся с учетом регистра.

Шаг 7 Щелкните **Log In** (Вход в систему).

При первом входе в систему с именем пользователя и паролем по умолчанию откроется страница Change Password (Смена пароля). На странице отобразятся правила смены пароля.

Шаг 8 Введите новый пароль и подтвердите его.

ПРИМЕЧАНИЕ. Сложность пароля включена по умолчанию. Пароль должен соответствовать стандартным правилам сложности, либо его можно временно выключить, выбрав **Disable Password Strength Enforcement** (Отключить требование надежного пароля).

Шаг 9 Нажмите кнопку **Apply** (Применить).



ВНИМАНИЕ Сохраните все изменения в конфигурации, прежде чем выйти из веб-интерфейса, щелкнув значок **Save** (Сохранить). Если выйти без сохранения конфигурации, все изменения будут потеряны.

Откроется страница Getting Started (Начало работы). Теперь можно настроить коммутатор. Подробную информацию см. в Руководстве по администрированию или на страницах справки.

Настройка коммутатора при помощи порта консоли

Чтобы настроить коммутатор при помощи порта консоли, сделайте следующее.

Шаг 1 Соедините компьютер с портом консоли коммутатора консольным кабелем из комплекта поставки.

Шаг 2 Запустите на компьютере утилиту порта консоли, например HyperTerminal.

Шаг 3 Настройте в утилите следующие параметры:

- 115 200 бит/с;
- 8 бит данных;
- без контроля четности;
- 1 стоповый бит;
- без управления потоком.

Шаг 4 Введите имя пользователя и пароль. Имя пользователя по умолчанию — **cisco**, пароль по умолчанию — **cisco**. Имена пользователей и пароли вводятся с учетом регистра.

При первом входе в систему с именем пользователя и паролем по умолчанию появятся следующие сообщения.

```
Please change your password from the default
settings. (Измените пароль по умолчанию.) Please
change the password for better protection of your
network. (Измените пароль для защиты своей сети.)
Do you want to change the password (Y/N) [Y]?
(Изменить пароль?)
```

Шаг 5 Введите **Y** и задайте новый пароль администратора.

ПРИМЕЧАНИЕ. Сложность пароля включена по умолчанию. Пароль должен соответствовать стандартным правилам сложности.



ВНИМАНИЕ Сохраните все изменения конфигурации, прежде чем выйти.

Теперь можно настроить коммутатор. На сайте www.cisco.com/go/350switches можно найти руководство по работе с интерфейсом командной строки для вашего коммутатора.

ПРИМЕЧАНИЕ. Если вы не используете DHCP в своей сети, выставите тип IP-адреса Static (Статический) и измените статический IP-адрес и маску подсети так, чтобы они соответствовали топологии вашей сети. Если этого не сделать, это может привести к тому, что несколько коммутаторов будут использовать один и тот же IP-адрес по умолчанию — 192.168.1.254.

5

Функциональные возможности коммутатора Cisco серии 350

В данном разделе описан внешний вид коммутатора.

Модели продукта

Модель	Описание
SF350-08	Управляемый коммутатор с 8 портами 10/100
SF350-24	Управляемый коммутатор с 24 портами 10/100
SF350-24MP	Управляемый коммутатор с 24 портами 10/100 PoE
SF350-24P	Управляемый коммутатор с 24 портами 10/100 PoE
SF350-48	Управляемый коммутатор с 48 портами 10/100
SF350-48MP	Управляемый коммутатор с 48 портами 10/100 PoE
SF350-48P	Управляемый коммутатор с 48 портами 10/100 PoE
SF352-08	Управляемый коммутатор с 8 портами 10/100
SF352-08MP	Управляемый коммутатор с 8 портами 10/100 PoE
SF352-08P	Управляемый коммутатор с 8 портами 10/100 PoE
SG350-10	Управляемый коммутатор с 10 портами Gigabit

Модель	Описание
SG350-10MP	Управляемый коммутатор с 10 портами Gigabit PoE
SG350-10P	Управляемый коммутатор с 10 портами Gigabit PoE
SG350-10SFP	Управляемый коммутатор с 10 портами Gigabit, с поддержкой SFP
SG350-20	Управляемый коммутатор с 20 портами Gigabit
SG350-28	Управляемый коммутатор с 28 портами Gigabit
SG350-28MP	Управляемый коммутатор с 28 портами Gigabit PoE
SG350-28P	Управляемый коммутатор с 28 портами Gigabit PoE
SG350-28SFP	Управляемый коммутатор с 28 портами Gigabit с поддержкой SFP
SG350-52	Управляемый коммутатор с 52 портами Gigabit
SG350-52P	Управляемый коммутатор с 52 портами Gigabit PoE
SG350-52MP	Управляемый коммутатор с 52 портами Gigabit PoE
SG355-10P	Управляемый коммутатор с 10 портами Gigabit PoE
SG350-8PD	Управляемый коммутатор с 8 портами 2,5 Гбит/с, с PoE

Передняя панель

Порты, светодиодные индикаторы и кнопка Reset расположены на передней панели коммутатора так, как показано на приведенных иллюстрациях.

SF350-48MP



SG350-8PD





Порты передней панели

Порт USB — порт USB предназначен для подключения к коммутатору устройства USB, чтобы вы могли сохранять и восстанавливать файлы конфигурации, образы микропрограммного обеспечения и файлы SYSLOG с помощью подключенного устройства USB.

Порты RJ-45 Ethernet — порты RJ-45 Ethernet предназначены для подключения к коммутатору сетевых устройств, таких как компьютеры, принтеры и точки доступа.

Мультигигабитные порты Ethernet — эти порты выделены синим цветом и поддерживают скорости передачи 100 Мбит/с, 1 и 2,5 Гбит/с по кабелям категории 5е. Большинство сетевых подключений сегодня ограничены скоростью 1 Гбит/с и расстоянием 100 м. Мультигигабитная технология Cisco Multigigabit Ethernet поднимает скорость передачи до 2,5 Гбит/с в той же инфраструктуре без замены кабелей.

Порты PoE мощностью 60 Вт — отмечены желтым. Эти порты увеличивают стандартную мощность PoE в два раза до 60 Вт.

Порт SFP (при наличии) — порты подключаемых модулей малого форм-фактора (SFP) предназначены для подключения модулей, обеспечивающих связь коммутатора с другими коммутаторами. Эти порты также часто называются портами miniGBIC. В данном руководстве будет использоваться термин SFP.

- Некоторые интерфейсы SFP используются совместно с другим портом RJ-45, который называется комбинированным. Когда порт SFP активен, соседний порт RJ-45 отключен.
- Светодиодные индикаторы соответствующих портов RJ-45 мигают зеленым при передаче трафика портов SFP.

Индикаторы передней панели

System (зеленый). Горит непрерывно, когда питание коммутатора включено, и мигает во время загрузки, самопроверки или получения IP-адреса. Этот индикатор мигает желтым, если коммутатор обнаружил неисправность оборудования, сбой микропрограммы и (или) ошибку файла конфигурации.

LINK/ACT (зеленый). Расположен слева от каждого порта. Этот индикатор горит непрерывно, когда обнаружена связь между соответствующим портом и другим устройством, и мигает во время передачи трафика через порт.

Gigabit (зеленый). Расположен справа от порта. Этот индикатор горит непрерывно, если к порту подключено другое устройство и установлено соединение со скоростью 1000 Мбит/с. Не горит, если скорость соединения ниже 1000 Мбит/с или к порту не подключены никакие устройства.

PoE (желтый, при наличии). Расположен справа от порта. Горит непрерывно, когда на устройство, подключенное к соответствующему порту, подается питание.

Кнопка Reset

Коммутатор можно перезагрузить, введя булавку или скрепку в отверстие кнопки Reset на передней панели коммутатора. Подробные сведения см. в разделе [Восстановление заводских настроек по умолчанию](#).

Задняя панель

Порт питания и порт консоли расположены на задней панели коммутатора. Задняя панель вашего коммутатора может отличаться от представленной. Если ваша модель оснащена вентилятором, обеспечьте доступ воздуха.



Power — подключение коммутатора к источнику переменного тока.

Console — подключение консольным кабелем, входящим в комплект поставки, с последовательным портом компьютера для настройки с помощью программы эмуляции терминала.

6

Восстановление заводских настроек по умолчанию

Чтобы воспользоваться кнопкой **Reset** для перезагрузки или изменения параметров, сделайте следующее.

- Чтобы **перезагрузить** коммутатор, удерживайте нажатой кнопку **Reset** менее 10 с.
- Чтобы **восстановить** заводские настройки коммутатора по умолчанию, сделайте следующее.

- Отсоедините коммутатор от сети и отключите все DHCP-серверы в сети.
- Включив питание, удерживайте нажатой кнопку **Reset** более 10 с.

Поиск и устранение неполадок соединения

Если не удается получить доступ к коммутатору из веб-интерфейса, возможно, коммутатор недоступен с вашего компьютера. На компьютере под управлением Windows сетевые соединения можно протестировать с помощью команды ping.

Шаг 1 Откройте окно командной строки: нажмите **Пуск > Выполнить** и введите cmd.

Шаг 2 В окне **командной** строки введите **ping** и IP-адрес коммутатора. Например, **ping 192.168.1.254** (статический IP-адрес коммутатора по умолчанию).

Если коммутатор доступен, в ответ должно быть получено сообщение, подобное следующему.

```
Pinging 192.168.1.254 with 32 bytes of data:  
Reply from 192.168.1.254:bytes=32 time<1ms TTL=128
```

Если коммутатор недоступен, в ответ должно быть получено сообщение, подобное следующему.

```
Pinging 192.168.1.254 with 32 bytes of data:  
Request timed out.
```

Возможные причины и способы решения проблемы

Коммутатор не включается

- Убедитесь, что кабель питания надежно вставлен в коммутатор и розетку.
- Убедитесь, что розетка исправна.
- Убедитесь, что компьютер включен.
- Если проблема не устраняется, прежде чем менять коммутатор, смените адаптер питания.

Плохое соединение Ethernet

- Проверьте правильность показаний светодиодных индикаторов. Подробные сведения см. в разделе **Передняя панель**.
- Проверьте разъемы кабеля Ethernet: они должны быть надежно вставлены в гнезда на коммутаторе и вашем компьютере.
- Используйте другой кабель или порт Ethernet.

Неисправное подключение порта консоли

- Проверьте разъемы консольного кабеля: они должны быть надежно вставлены в гнезда на коммутаторе и вашем компьютере.
- Проверьте правильность параметров, настроенных в утилите порта консоли.

Проблемы с IP-адресацией

- К коммутаторам Cisco можно также получить доступ с помощью утилиты сетевого обнаружения Cisco FindIT, которая автоматически обнаруживает все устройства Cisco для малого бизнеса в том сегменте локальной сети, где находится ваш компьютер. Вы можете просмотреть информацию об устройстве, включая текущий IP-адрес, загрузить актуальное микропрограммное обеспечение для устройства или запустить средство конфигурации продукта для просмотра и настройки параметров. Подробные сведения доступны по адресу www.cisco.com/go/findit.
- Убедитесь, что в коммутаторе используется правильный IP-адрес. Определите текущий IP-адрес коммутатора из интерфейса командной строки через порт консоли или с помощью Cisco FindIT или узнайте его у сетевого администратора. Индикатор System показывает, получил ли коммутатор IP-адрес (подробнее см. в разделе **Передняя панель**).
- Убедитесь, что для других устройств не используется тот же IP-адрес, что и у коммутатора.

Отсутствует IP-маршрут

Если коммутатор и ваш компьютер находятся в разных IP-подсетях, необходим один или несколько маршрутизаторов для перенаправления пакетов между двумя подсетями.

Необычно большое время доступа

Из-за стандартной логики обнаружения петель в связующем дереве после добавления новых соединений задействованные интерфейсы и (или) локальные сети начинают функционировать через 30–60 секунд.

Сообщество технической поддержки Cisco	www.cisco.com/go/smallbizsupport
Поддержка и ресурсы Cisco	www.cisco.com/go/smallbizhelp
Контактные телефоны службы поддержки	www.cisco.com/en/US/support/tsd_cisco_small_business_support_center_contacts.html
Загрузка микропрограмм Cisco	www.cisco.com/go/smallbizfirmware Выберите ссылку, чтобы загрузить микропрограмму для продуктов Cisco. Учетные данные не требуются.
Запросы открытого исходного кода Cisco	Чтобы получить копию исходного кода, на которую вы имеете право по лицензии на ПО со свободным/открытым исходным кодом (например, GNU Lesser/General Public License), отправьте запрос по адресу externalopensource-requests@cisco.com . Просим в запросе указать название, версию и 18-значный номер вашего продукта Cisco (например: 7XEEX17D99-3X49X081), который можно найти в документации по открытому исходному коду продукта.
Портал Cisco Partner Central (необходима учетная запись партнера)	www.cisco.com/web/partners/sell/smb
Документация по продуктам	
Серия 350	www.cisco.com/go/350switches
Информация о безопасности и соответствии нормативным требованиям	www.cisco.com/en/US/docs/switches/lan/csb_switching_general/rcsi/Switch_RCSI.pdf
Гарантийные обязательства	www.cisco-warrantyfinder.com



ПРЕДУПРЕЖДЕНИЕ

Это продукт класса А. В жилых помещениях данный продукт может стать причиной радиопомех. В этом случае от пользователя может потребоваться принять надлежащие меры.

Переведенные предупреждения

Statement 1004—Installation Instructions

Предупреждение	Перед подключением устройства к источнику электропитания ознакомьтесь с данной инструкцией по установке.
----------------	--

Statement 1005—Circuit Breaker

Предупреждение	Защита устройства от короткого замыкания (перегрузки) осуществляется с помощью оборудования, являющегося частью электропроводки здания. Убедитесь, что номинал защитного устройства не превышает: 15 A, 125 Vac, or 10A, 240 Vac
----------------	---

Statement 1008—Class 1 Laser Product

Предупреждение	Лазерное устройство класса 1.
----------------	-------------------------------

Statement 1009—Laser Radiation

Предупреждение	Открытое устройство испускает лазерное излучение.
----------------	---

Statement 1010—Staring into Laser Beam

Предупреждение	Не допускайте попадания лазерного луча в глаза.
----------------	---

Statement 1011—Staring into Laser Beam

Предупреждение	Не допускайте попадания лазерного луча в глаза и не смотрите на него через оптические приборы.
----------------	--

Statement 1012—Laser Beam Exposure

Предупреждение	Избегайте прямого воздействия лазерного луча.
----------------	---

Statement 1013—Avoid Radiation

Предупреждение	Избегайте воздействия прямого или рассеянного лазерного излучения на глаза и кожу.
----------------	--

Statement 1014—Laser Radiation

Предупреждение	Открытое устройство с неподключенными соединителями испускает лазерное излучение.
----------------	---

Statement 1016—Invisible Laser Radiation

Предупреждение	Присутствует невидимое лазерное излучение.
-----------------------	--

Statement 1019—Main Disconnecting Device

Предупреждение	Штепсельная розетка всегда должна быть доступна, поскольку она служит основным устройством отключения.
-----------------------	--

Statement 1021—SELV Circuit

Предупреждение	Во избежание поражения электрическим током не подключайте цепи безопасного низковольтного напряжения (SELV) к цепям с напряжением телефонной сети (TNV). Порты LAN подключены к цепям SELV, а порты WAN — к цепям TNV. Для некоторых портов LAN и WAN используются одинаковые разъемы — RJ-45. При подключении кабелей будьте внимательны.
-----------------------	--

Statement 1022—Disconnect Device

Предупреждение	Стационарная электропроводка должна быть снабжена легкодоступным двухполюсным устройством отключения.
-----------------------	---

Statement 1027—Class 1 LED Product

Предупреждение	Светодиодное устройство класса 1.
-----------------------	-----------------------------------

Statement 1040—Product Disposal

Предупреждение	Окончательная установка данного изделия должна выполняться в соответствии со всеми региональными и местными правилами и нормами.
-----------------------	--

Statement 1047—Overheating Prevention

Предупреждение	Во избежание перегрева устройства его не следует использовать в помещениях, в которых температура воздуха выше максимальной рекомендованной:
-----------------------	--

Statement 1051—Laser Radiation

Предупреждение	Отключенные световоды и разъемы могут испускать невидимое лазерное излучение. Не допускайте попадания лазерного луча в глаза и не смотрите на него через оптические приборы.
-----------------------	--

Statement 1053—Class 1M Laser Radiation

Предупреждение	При открывании возможно наличие лазерного излучения класса 1M. Не смотрите непосредственно на лазерный луч через оптические приборы.
-----------------------	--

Statement 1054—Laser Viewing

Предупреждение	Нельзя смотреть на источник рассеянного лазерного излучения через некоторые оптические приборы с расстояния менее 100 мм: это может привести к травме органов зрения. Опасно смотреть на направленное лазерное излучение через оптические приборы, предназначенные для работы на расстоянии: это может привести к травме органов зрения.
-----------------------	--

Statement 1055—Class I and Class 1M Laser

Предупреждение	Лазерные устройства класса I (CDRH) и класса 1M (IEC).
-----------------------	--

Statement 1056—Unterminated Fiber Cable

Предупреждение	Световоды и разъемы без заглушек могут испускать невидимое лазерное излучение. Не допускайте попадания лазерного луча в глаза и не смотрите на него через оптические приборы. Нельзя смотреть на источник лазерного излучения через некоторые оптические приборы (например увеличительное стекло, лупу или микроскоп) с расстояния ближе 100 мм: это может привести к травме органов зрения.
-----------------------	--

Statement 1057—Hazardous Radiation Exposure

Предупреждение	Использование других элементов управления и регулировки, а также не указанные здесь действия могут привести к воздействию опасного излучения.
-----------------------	---

Statement 1074—Comply with Local and National Electrical Codes

Предупреждение	Установка оборудования должна соответствовать местным и национальным электротехническим нормам.
-----------------------	---

Statement 1086—Power Terminals, Replace Cover

Предупреждение	На разъемах питания может присутствовать опасное напряжение. Неиспользуемые терминалы следует всегда закрывать крышкой. При отсутствии крышки убедитесь, что неизолированные проводники находятся вне досягаемости.
-----------------------	---

Сведения об ограничениях в использовании технического средства с учетом его предназначения для работы в жилых, коммерческих или производственных зонах

Оборудование предназначено для работы в коммерческих зонах и общественных местах, производственных зонах с малым электропотреблением, без воздействия вредных и опасных производственных факторов. Техническое средство не бытового назначения. Изготовитель не рекомендует использование данного оборудования в быту. Оборудование предназначено для эксплуатации без постоянного присутствия обслуживающего персонала

Правила и условия безопасной эксплуатации

- Диапазон рабочих температур: от 0 до +50 °С.
- Диапазон рабочей влажности: от 10 до 90 %, без конденсации.
- Питание оборудования осуществляется от сети переменного тока с номинальным напряжением 100—240 В.

Продукт класса А

В домашних условиях это изделие может вызывать радиопомехи, от пользователя может потребоваться принять соответствующие меры.

Правила и условия хранения, перевозки, реализации и утилизации

- Диапазон температур хранения: от -20 до +70 °С.
- Диапазон относительной влажности при хранении: от 10 до 90 %, без конденсации.
- Диапазон температур транспортировки: от -20 до +70 °С при относительной влажности от 10 до 90 % (без конденсации).
- Оборудование должно храниться в помещении в заводской упаковке.
- Транспортировка оборудования должна производиться в заводской упаковке в крытых транспортных средствах любым видом транспорта.
- Правила и условия реализации оборудования определяются условиями договоров, заключаемых компанией Cisco или авторизованными партнерами Cisco с покупателями оборудования.
- Утилизация этого изделия по завершении его срока службы должна выполняться в соответствии с требованиями всех государственных нормативов и законов.

Изготовитель гарантирует соответствие основных технических характеристик оборудования техническим характеристикам, приведенным в этикетке, при соблюдении условий и правил хранения, транспортирования, монтажа и эксплуатации, установленных технической документацией.

Гарантия и сервисная поддержка не распространяются на оборудование в следующих случаях:

- При изменении, модификации, неправильном обращении, уничтожении или повреждении, вызванном следующими причинами: (i) естественными причинами; (ii) воздействием окружающей среды; (iii) отказом принять любые необходимые меры; (iv) небрежным или преднамеренным действием или бездействием; или использованием в целях, отличных от тех, которые определены в применимой документации. (v) действием или бездействием третьего лица.
- При признаках воздействия огня; воды; химических веществ, включая, но не ограничивая, нанесение краски, покрытие иными веществами; неправильной эксплуатации; самостоятельного ремонта; изменения внутреннего устройства. При наличии механических повреждений. При наличии признаков, вызванных попаданием внутрь посторонних предметов, жидкостей, насекомых. При повреждениях, вызванных несоответствием действующим Техническим Регламентам, Государственным стандартам, НПА по вопросам применения на сети связи общего пользования, и другим применимым официальным требованиям параметров питающих, телекоммуникационных, кабельных сетей и других подобных внешних факторов.

Информация о мерах, которые следует предпринять при обнаружении неисправности технического средства

В случае обнаружения неисправности технического средства, а также для принятия претензий к качеству оборудования обратитесь в компанию, у которой приобретен данный продукт.

Кроме того информацию о технической поддержке Cisco можно получить на официальном веб-сайте Cisco: <http://www.cisco.com/cisco/web/RU/support/index.html>.

Вы также можете воспользоваться автоматической программой для поиска наиболее подходящего контакта в компании Cisco:

http://www.cisco.com/cisco/web/siteassets/contacts/index.html?locale=ru_RU.

Общий многоканальный телефон:

+7 495 961 13 82 (Москва), (8 800) 700 05 22 (Россия) ;

Беларусь: 8 800 101, затем 800 721 75 49

Казахстан: 8 800 121 43 21 (наберите 8, подождите до 2-го сигнала, затем наберите остальные цифры; наберите PIN 800 721 75 49).

При наличии действующего контракта на сервисную поддержку в Службе поддержки Cisco Technical Assistance Center (TAC) обратитесь в службу технической поддержки по телефону +7 495 961 13 82 (Москва), (8 800) 700 05 22 (Россия) — меню «Технические услуги».

Подробная информация об услугах технической поддержки доступна на сайте:

http://www.cisco.com/cisco/web/support/RU/tac_overview.html;

<http://www.cisco.com/cisco/web/RU/support/index.html>.

Месяц и год изготовления технического средства

Год изготовления зашифрован в серийном номере устройства в десятичной системе исчисления в первых двух цифрах после трехзначного буквенного кода и рассчитывается следующим образом: 2012 году изготовления соответствует цифра 16, 2013 — 17, 2014 — 18, 2015 — 19 и так далее. Неделя изготовления указана в виде двух цифр десятичной системы следующих после кода года. Первой неделе января соответствует код 01, последней неделе декабря 52 или 53. Информация о дате изготовления наносится на месте производства на само оборудование и/или упаковку.

Страна производства: Китай.

Дополнительная информация

- Ознакомиться более подробно с инструкциями по монтажу на английском языке возможно на официальном веб-сайте Cisco: <http://www.cisco.com/go/350switches> и <http://www.cisco.com/go/550switches>.
- Ознакомиться более подробно с инструкциями по подготовке к использованию продукта на английском языке возможно на официальном веб-сайте Cisco: <http://www.cisco.com/go/350switches> и <http://www.cisco.com/go/550switches>.
- Дополнительная информация, руководства и правила обращения с точками доступа, а также возможность загрузки ПО доступны в разделе Product/Technology Support на официальном веб-сайте Cisco: <http://www.cisco.com/cisco/web/psa/default.html>.

Наименование и местонахождение уполномоченного изготовителем лица

ООО «Сиско Системс»

Адрес местонахождения: 115054, г. Москва, Космодамианская наб., 52, стр. 1. Телефон: (495) 961 14 10. E-mail: rus-cert@cisco.com.

Сохраните упаковку и этикетку. В случае, если упаковка утрачена, повреждена или на ней отсутствует информация об Импортере или стране, где изготовлено техническое средство, для получения информации об Импортере обратитесь, пожалуйста, в компанию, у которой приобретено техническое средство. Информация о стране производства (на английском языке) указана на продукте. Также для получения этой информации можно использовать веб-приложение Trade Tool на сайте [cisco.com](http://tools.cisco.com/FinAdm/GCTA/servlet/ControllerServlet?action=QueryForm) (на английском языке, требуется серийный номер устройства): <http://tools.cisco.com/FinAdm/GCTA/servlet/ControllerServlet?action=QueryForm>.

Компания Изготовитель оставляет за собой право изменять настоящее настоящий документ без предварительного уведомления.

Штаб-квартира в США

Корпорация Cisco Systems
170 West Tasman Drive
San Jose, CA 95134-1706
USA
www.cisco.com

Поддержка малого бизнеса, во всем мире: www.cisco.com/go/sbcs

Казахстан

Казахстан, 050059, Алматы,
бизнес центр “Самал Тауэрс”
Ул. О. Жолдасбекова, 97, блок
A2, 14 этаж
Тел.: +7-727-244-2101
Факс +7-727-244-2102
www.cisco.ru

Россия

Cisco Systems
115054, Москва
Космодамианская набережная
52, стр.1 (Riverside Towers),
4 этаж
Телефон: 7-495-961-1410
Факс: 7-495-961-1469
www.cisco.ru

Беларусь

Республика Беларусь, 220034,
Минск, бизнес центр “Виктория
Плаза”
ул. Платонова, д. 1Б, 3 подъезд,
2 этаж
Тел: +375-17-2691691
Факс: +375-17-2691699
www.cisco.ru



78-101213-01A0

Cisco и логотип Cisco являются товарными знаками или зарегистрированными товарными знаками корпорации Cisco и/или ее дочерних компаний в США и других странах. Чтобы просмотреть список товарных знаков Cisco, перейдите по ссылке: www.cisco.com/go/trademarks. Товарные знаки сторонних организаций, упомянутые в настоящем документе, являются собственностью соответствующих владельцев. Использование слова «партнер» не подразумевает наличия партнерских взаимоотношений между Cisco и любой другой компанией. (1110R)

© Корпорация Cisco Systems, 2017. Все права защищены.